

PARTS CATALOGUE

DISK HARROWS

GAC WITH PA

Code: 0501092179



Series: S-0989

Rev.: 00

Date Rev.: SETEMBRO/2018

**ORIGINAL PARTS
CIVEMASA**

civemasa

PRODUCTS

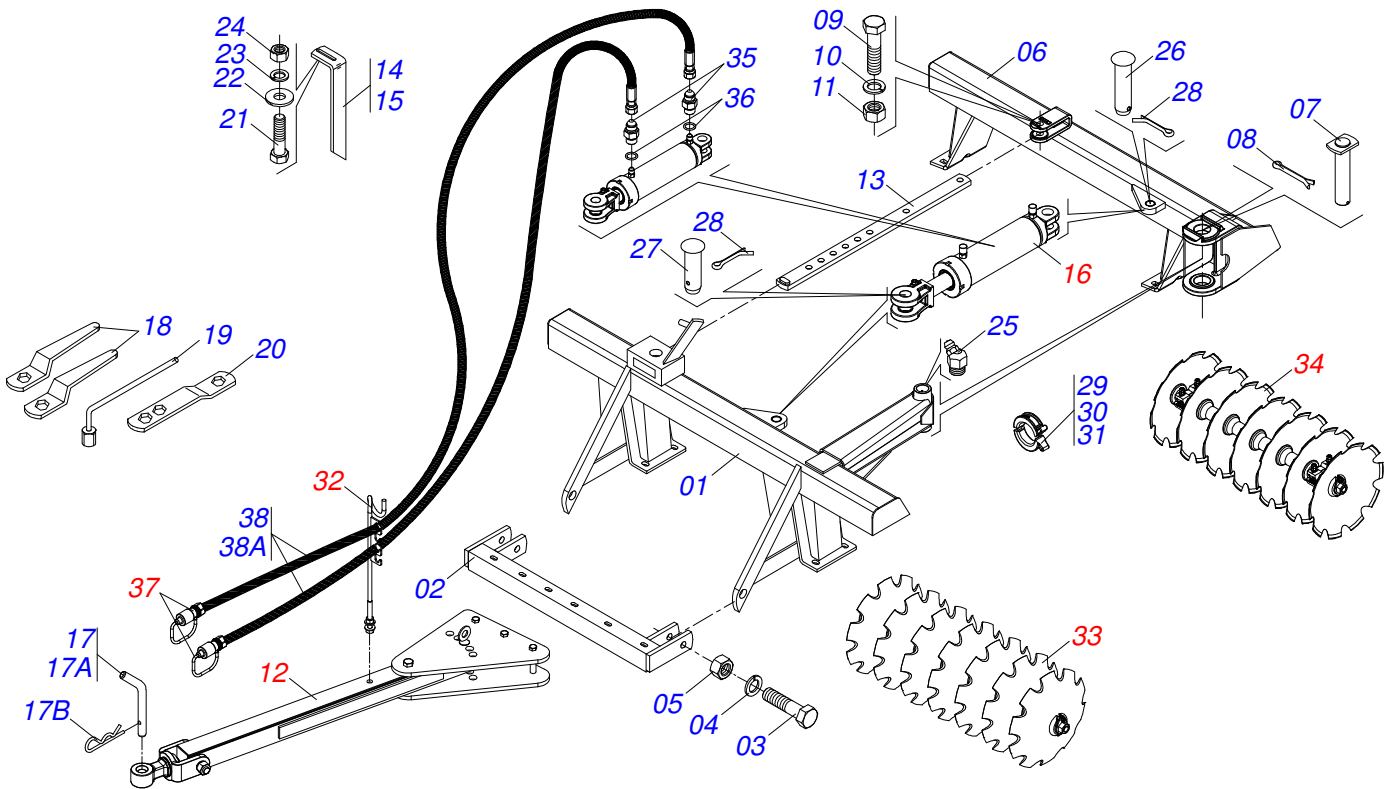
Code	Description
0121020015	GAC 12PA X 24 X 6,00 R DM 61490157
0121020022	GAC 12PA X 26 X 6,00 R DM 61490220
0121020016	GAC 14PA X 24 X 6,00 R DM 61490166
0121020023	GAC 14PA X 26 X 6,00 R DM 61490239
0121020017	GAC 16PA X 24 X 6,00 R DM 61490175
0121020024	GAC 16PA X 26 X 6,00 R DM 61490249
0121020018	GAC 18PA X 24 X 6,00 R DM 61490184
0121020025	GAC 18PA X 26 X 6,00 R DM 61490258
0121020019	GAC 20PA X 24 X 6,00 R DM 61490193
0121020026	GAC 20PA X 26 X 6,00 R DM 61490267
0121020020	GAC 22PA X 24 X 6,00 R DM 61490202
0121020027	GAC 22PA X 26 X 6,00 R DM 61490276
0121020021	GAC 24PA X 24 X 6,00 R DM 61490211
0121020028	GAC 24PA X 26 X 6,00 R DM 61490285

ATTENTION: **IMPORTANT**

CIVEMASA RESERVES THE RIGHT AT ANY TIME TO MAKE IMPROVEMENTS IN THE DESIGN, MATERIAL OR SPECIFICATIONS OF MACHINERY, EQUIPMENT OR PARTS WITHOUT THEREBY BECOMING LIABLE TO MAKE SIMILAR CHANGES IN MACHINERY, EQUIPMENT OR PARTS PREVIOUSLY SOLD.

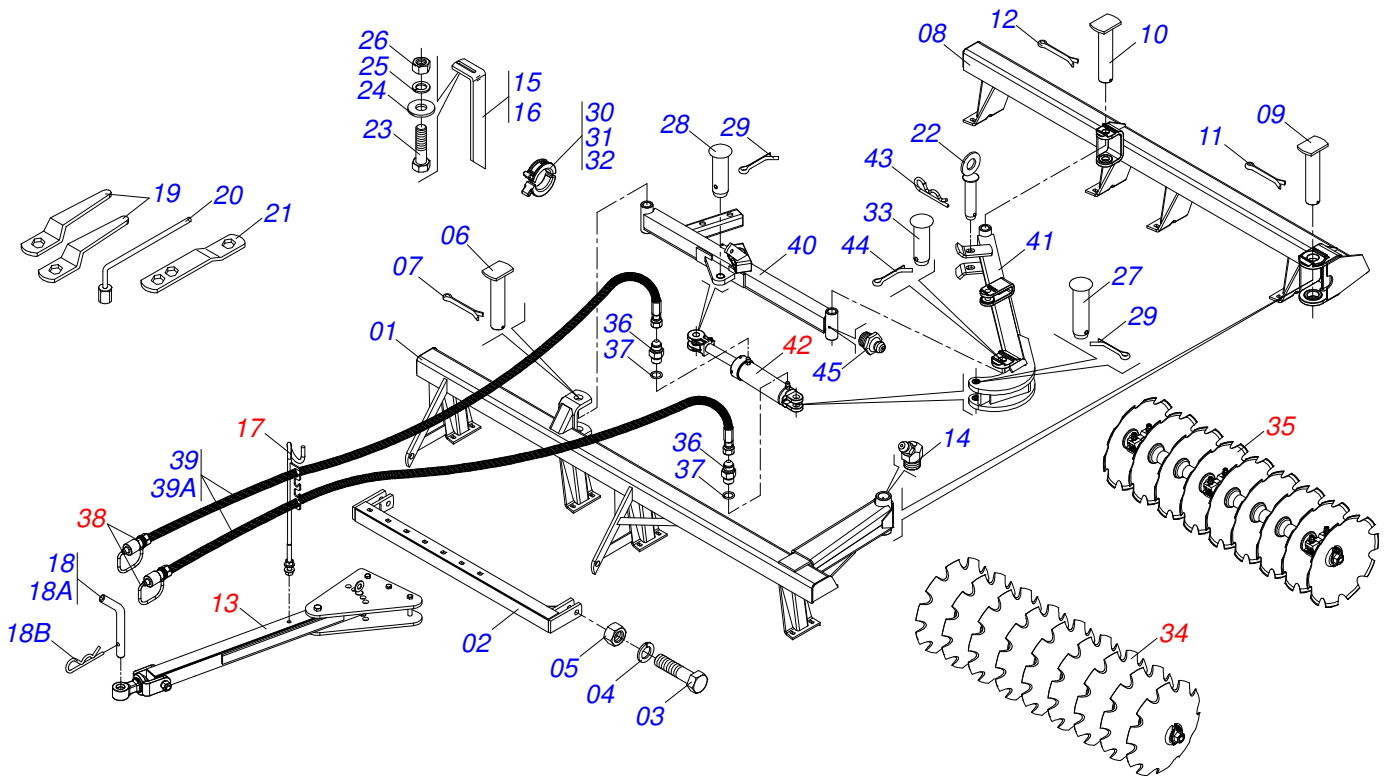
INDEX

0909094893	12/14/16D - ASSY FRAME	1
0909094894	18/20/22/24D - ASSY FRAME	2
0501042816	DRAWBAR ASSY	3
0511058424	HYDRAULIC CYLINDER	4
0501040257	3/4 X 1200 HOSE HOLDER A	5
0909093812	12/14/16D - FRONT DISC SECTION	6
0909093813	12/14/16D - REAR DISC SECTION	7
0909093820	18D - FRONT DISC SECTION	8
0909093821	18D - REAR DISC SECTION	9
0909093822	20/22/24D - FRONT DISC SECTION	10
0909093823	20/22/24D - REAR DISC SECTION	11
0501046923	9"X 1-5/8" OIL BATH BEARING	12
0501046914	CM GX 9" 1-5/8" SD PR BEARING ASSY	13
0501053834	MALE QUICK COUPLING AGRICULTURAL WITH COVER - 1/2 NPT	14



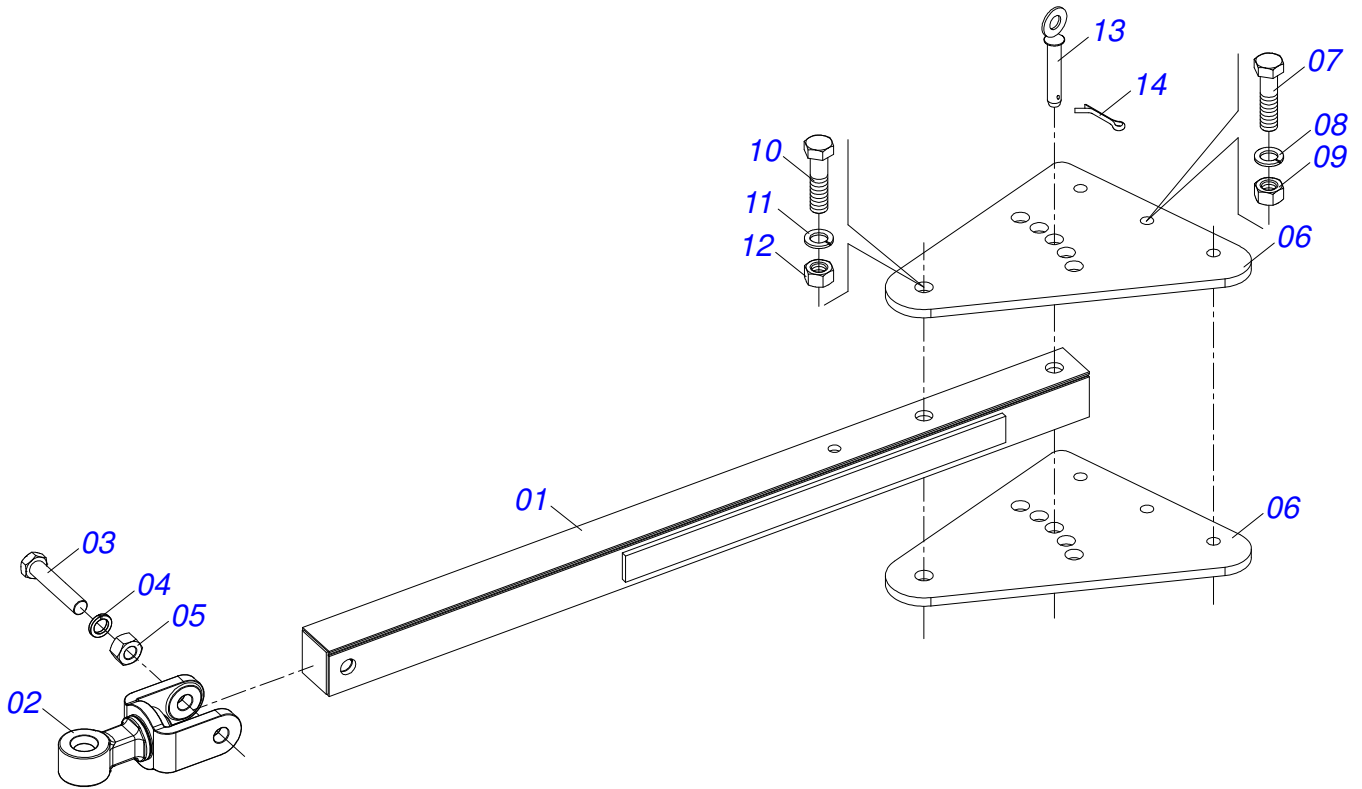
Item	Code	Description	012	014	016
01	0501062201	FRONT FRAME	001	000	000
01.	0501062202	FRONT FRAME	000	001	000
01..	0501063237	FRONT FRAME	000	000	001
02	0501064203	OFFSET BAR	001	000	000
02.	0501064204	OFFSET BAR	000	001	000
02..	0501064202	OFFSET BAR	000	000	001
03	0501011547	1" X 4-1/2" BOLT	002	002	002
04	0503011438	SPRING WASHER	002	002	002
05	0501010059	1.5/8 NUT	002	002	002
06	0501062204	REAR FRAME	001	000	000
06.	0501062569	REAR FRAME	000	001	000
06..	0501062810	REAR FRAME	000	000	001
07	0501065487	2.4" X 123" COUPLING SHAFT	001	001	001
08	0503010073	3/8 X 3-1/2 COTTERPIN	001	001	001
09	0503011432	1" X 4" BOLT	001	001	001
10	0503011438	SPRING WASHER	001	001	001
11	0501010059	1.5/8 NUT	001	001	001
12	0501042816	DRAWBAR ASSY	001	001	001
13	0501064196	ADJUSTMENT BAR	001	000	000
13.	0501064198	ADJUSTMENT BAR	000	001	001
14	0501064168	REAR SCRAPER	003	004	004
15	0501064167	REAR SCRAPER	003	004	004
16	0511058424	HYDRAULIC CYLINDER	001	001	001
17	0501040343	DDRAWBOLT ASSY	001	001	001
17A	0521010453	GCOUPLING SHAFT	001	001	001
17B	0503031035	HAIR PIN	001	001	001
18	0501011431	1-3/4" GANG BOLT WRENCH	002	002	002
19	0503016140	3/4" WRENCH CABLE CYLINDRICAL	001	001	001
20	0511018451	5/8" X 3/4" X 1" UNIVERSAL	001	001	001
21	0503011082	C1/2" X 1.3/4" BOLT	012	016	016
22	0511017302	FLAT WASHER	012	016	016
23	0503010019	1/2" SPRING WASHER	012	016	016
24	0503010060	1/2" NUT	012	016	016

Item	Code	Description	012	014	016
25	0503010003	1845 GREASE FITTING	001	001	001
26	0521010546	1.2" X 5.7" COUPLING SHAFT	001	001	001
27	0521012538	1.2" X 3.5" COUPLING SHAFT	001	001	001
28	0503010571	1/4" X 1.1/2 COTTERPIN	002	002	002
29	0501047895	ROD STOP	003	003	003
30	0501047886	ROD STOP	001	001	001
31	0501047888	ROD STOP	001	001	001
32	0501040257	3/4 X 1200 HOSE HOLDER A	001	001	001
33	0909093812	12/14/16D - FRONT DISC SECTION	001	001	001
34	0909093813	12/14/16D - REAR DISC SECTION	001	001	001
35	0501010617	3/4" NIPPLE	002	002	002
36	0503010190	2-114 N 3006-9B O'RING	002	002	002
37	0501053834	MALE QUICK COUPLING AGRICULTURAL WITH	002	002	002
38	0501051040	HOSE ASSY	001	001	001
38A	0501080361	3/8" X 157" TR-TM HOSE ASSY	002	002	002

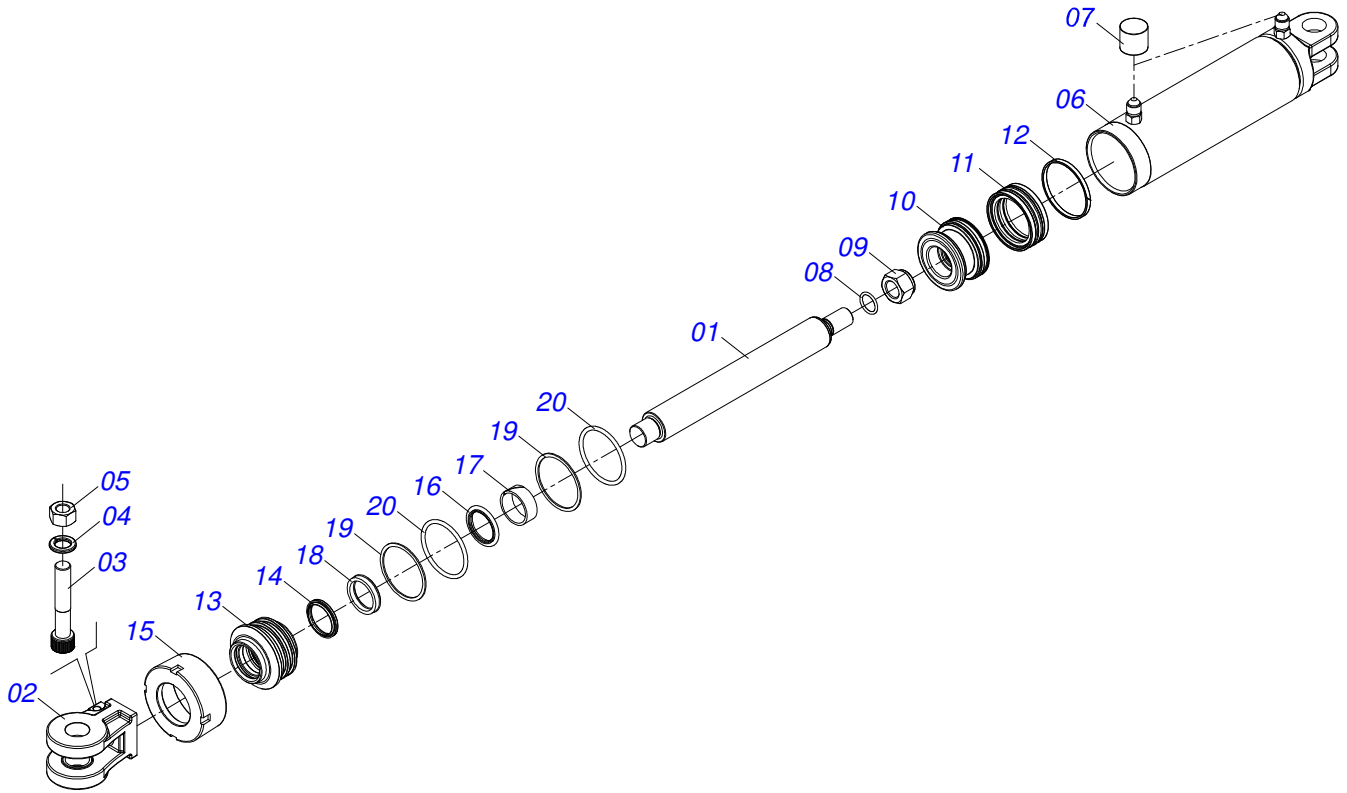


Item	Code	Description	018	020	022	024
01	0501063240	FRONT FRAME	001	000	000	000
01.	0501062515	FRONT FRAME	000	001	000	000
01..	0501062343	FRONT FRAME	000	000	001	000
01...	0501062499	FRONT FRAME	000	000	000	001
02	0501064203	OFFSET BAR	001	000	000	000
02.	0501064204	OFFSET BAR	000	001	000	000
02..	0501064205	OFFSET BAR	000	000	001	001
03	0501011547	1" X 4-1/2" BOLT	002	002	002	002
04	0503011438	SPRING WASHER	002	002	002	002
05	0501010059	1.5/8 NUT	002	002	002	002
06	0521010644	1.5" X 8.4" COUPLING SHAFT	001	001	001	001
07	0503010534	3/8 X 2-1/2 COTTERPIN	001	001	001	001
08	0501062792	REAR FRAME	001	000	000	000
08.	0501062514	REAR FRAME	000	001	000	000
08..	0501062315	REAR FRAME	000	000	001	000
08...	0501062512	REAR FRAME	000	000	000	001
09	0501065487	2.4" X 123" COUPLING SHAFT	001	001	001	001
10	0521010644	1.5" X 8.4" COUPLING SHAFT	001	001	001	001
11	0503010073	3/8 X 3-1/2 COTTERPIN	001	001	000	000
12	0503010534	3/8 X 2-1/2 COTTERPIN	001	001	002	002
13	0501042816	DRAWBAR ASSY	001	001	001	001
14	0503010003	1845 GREASE FITTING	001	001	001	001
15	0501064168	REAR SCRAPER	005	005	006	007
16	0501064167	REAR SCRAPER	005	005	006	007
17	0501040257	3/4 X 1200 HOSE HOLDER A	001	001	001	001
18	0501040343	DDRAWBOLT ASSY	001	001	001	001
18A	0521010453	GCOUPLING SHAFT	001	001	001	001
18B	0503031035	HAIR PIN	001	001	001	001
19	0501011431	1-3/4" GANG BOLT WRENCH	002	002	002	002
20	0503016140	3/4" WRENCH CABLE CYLINDRICAL	001	001	001	001
21	0511018451	5/8" X 3/4" X 1" UNIVERSAL	001	001	001	001
22	0501068993	0.9" X 5.5" COUPLING SHAFT	001	001	001	001
23	0503011082	C1/2" X 1.3/4" BOLT	020	020	024	000

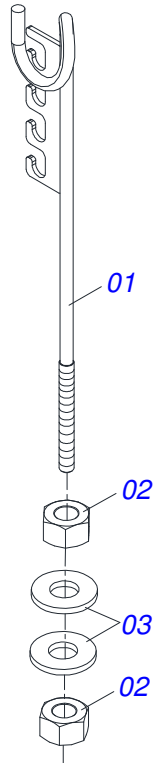
Item	Code	Description	018	020	022	024
23.	0503010740	1/2" X 2" BOLT	000	000	000	028
24	0511017302	FLAT WASHER	020	020	020	028
25	0503010019	1/2" SPRING WASHER	020	020	020	028
26	0503010060	1/2" NUT	020	020	020	028
27	0521010546	1.2" X 5.7" COUPLING SHAFT	001	001	002	001
28	0521012538	1.2" X 3.5" COUPLING SHAFT	001	001	000	001
29	0503010571	1/4" X 1.1/2 COTTERPIN	002	002	002	002
30	0501047895	ROD STOP	001	003	003	003
31	0501047886	ROD STOP	001	001	001	001
32	0501047888	ROD STOP	001	001	001	001
33	0521010644	1.5" X 8.4" COUPLING SHAFT	001	001	001	001
34	0909093820	18D - FRONT DISC SECTION	001	000	000	000
34.	0909093822	20/22/24D - FRONT DISC SECTION	000	001	001	001
35	0909093821	18D - REAR DISC SECTION	001	000	000	000
35.	0909093823	20/22/24D - REAR DISC SECTION	000	001	001	001
36	0501010617	3/4" NIPPLE	002	002	002	002
37	0503010190	2-114 N 3006-9B O'RING	002	002	002	002
38	0501053834	MALE QUICK COUPLING AGRICULTURAL WITH	002	002	002	002
39	0501051040	HOSE ASSY	001	001	001	001
39A	0501080361	3/8" X 157" TR-TM HOSE ASSY	002	002	002	002
40	0501062507	FRONT STABILIZER BAR	001	001	001	001
41	0501062509	REAR STABILIZER BAR	001	001	001	001
42	0511058424	HYDRAULIC CYLINDER	001	001	001	001
43	0503031035	HAIR PIN	001	001	001	001
44	0503010534	3/8 X 2-1/2 COTTERPIN	001	001	001	001
45	0503010002	1800 GREASE FITTING	003	003	003	003



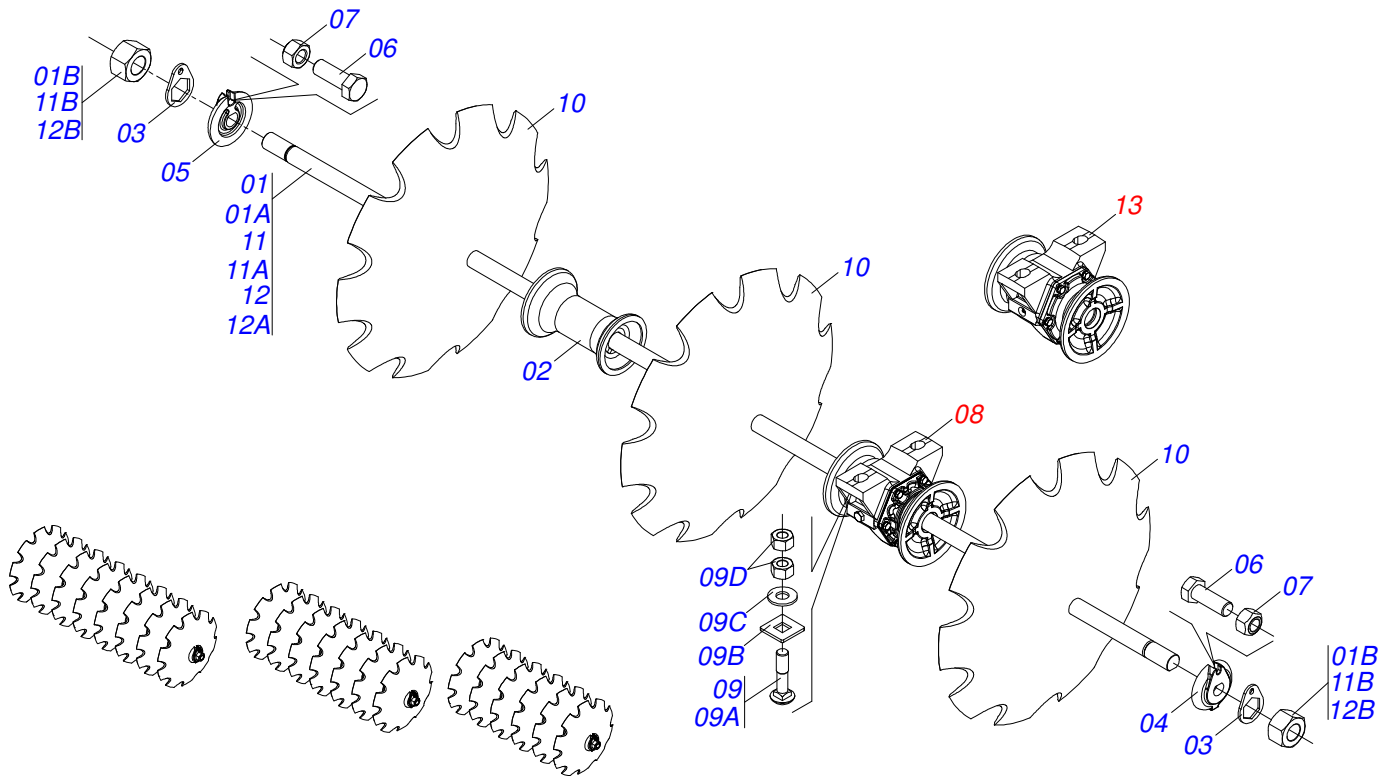
Item	Code	Description	QT
01	0501060188	DRAWBAR ASSY	01
02	0521061775	TRACTOR HITCH	01
03	0501010060	1" X 6-1/2" BOLT	01
04	0503011438	SPRING WASHER	01
05	0501010059	1.5/8 NUT	01
06	0501010241	UPPER /LOWER PLATE	02
07	0503011198	C3/4" X 6" BOLT	03
08	0503011442	3/4" SPRING WASHER	03
09	0503010014	3/4" NUT	03
10	0501010191	1" X 6" BOLT	01
11	0503011438	SPRING WASHER	01
12	0501010059	1.5/8 NUT	01
13	0501068993	0.9" X 5.5" COUPLING SHAFT	01
14	0503010571	1/4" X 1.1/2 COTTERPIN	01



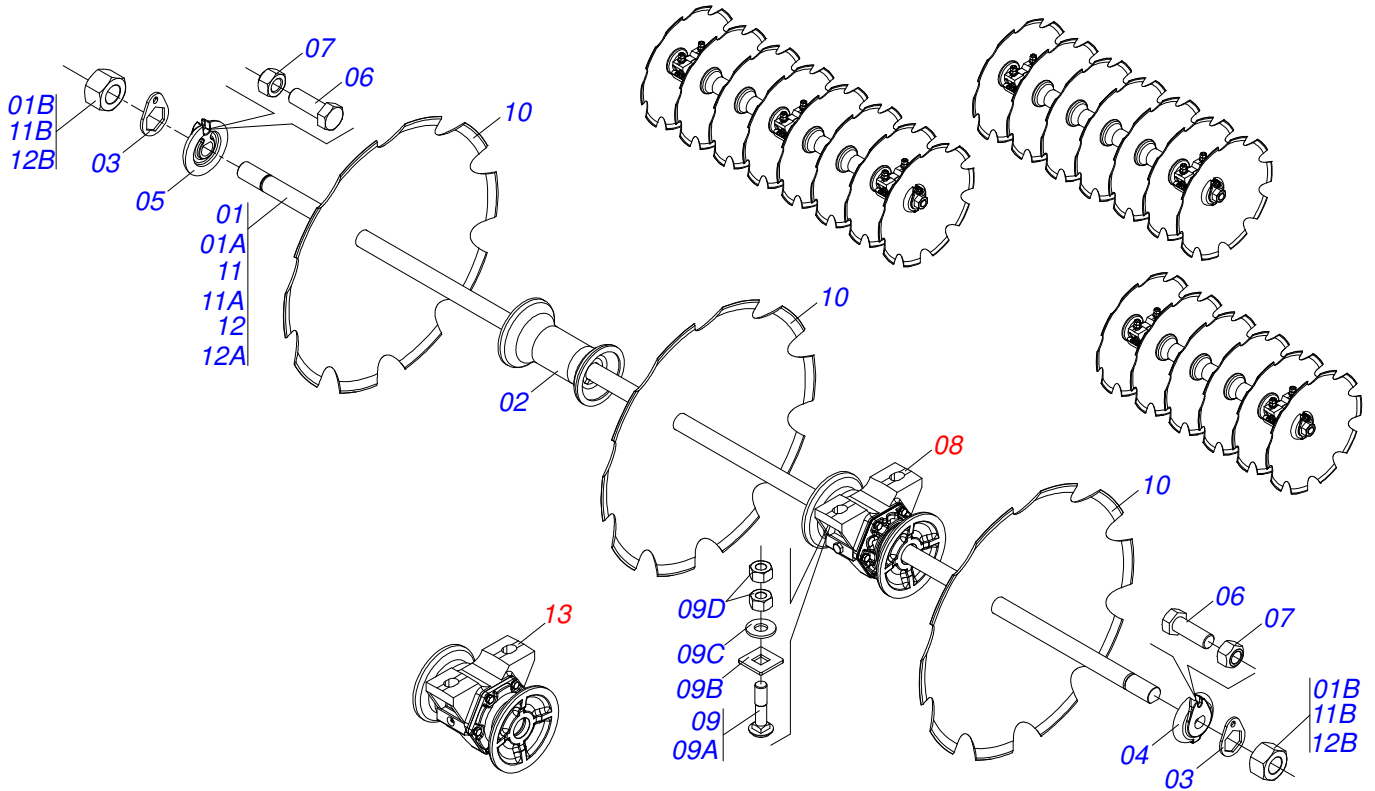
Item	Code	Description	QT
01	0521010421	HYDRAULIC CYLINDER TURNBUCKLE	01
02	0502040747	FORK	01
03	0503011094	3/8" X 2" BOLT C C S I 12.9	01
04	0503010025	3/8 SPRING WASHER	01
05	0503010026	3/8" NUT	01
06	0511063257	3,4" X 12,3" CYLINDER CASE	01
07	0503030385	PLUG	02
08	0503010042	2-214 N 3006-9B O'RING	01
09	0503010063	1" SELF-ALIGNING NUT	01
10	0571019710	1.7" X 3.4" PISTON	01
11	0503017935	RING	01
12	0503018144	RING	01
13	0571019711	RING SUPPORT	01
14	0503010761	D-1750 SCRAPER RING	01
15	0571019709	DETACHABLE COVER	01
16	0503017936	RING	01
17	0503017938	RING GUIDE	01
18	0503017937	GASKET	01
19	0503017940	8-337 BACK-UP RING	02
20	0503017939	2-337 N 3006-9B O' RING	02



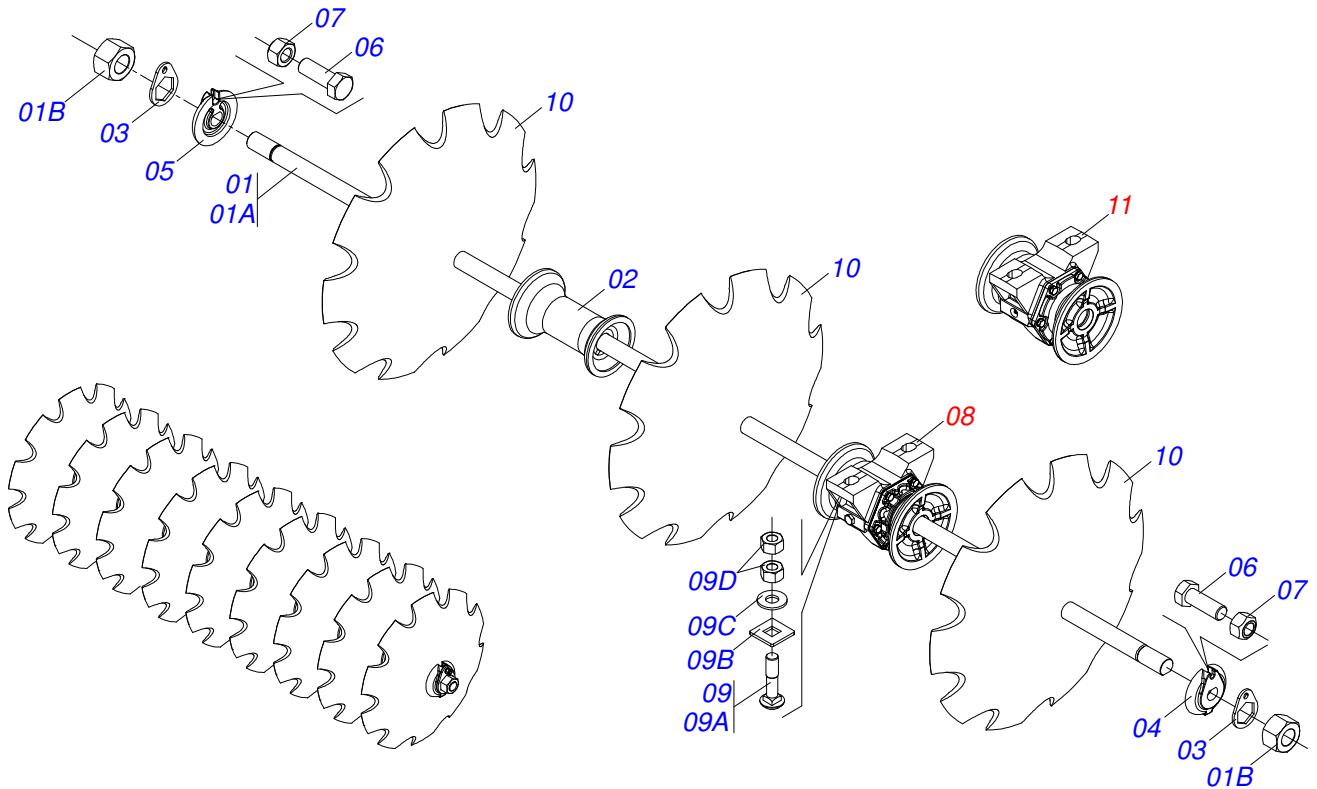
Item	Code	Description	QT
01	0511067334	HOSE SOPPORT ASSY	01
02	0503010014	3/4" NUT	02
03	0501010322	FLAT WASHER	02



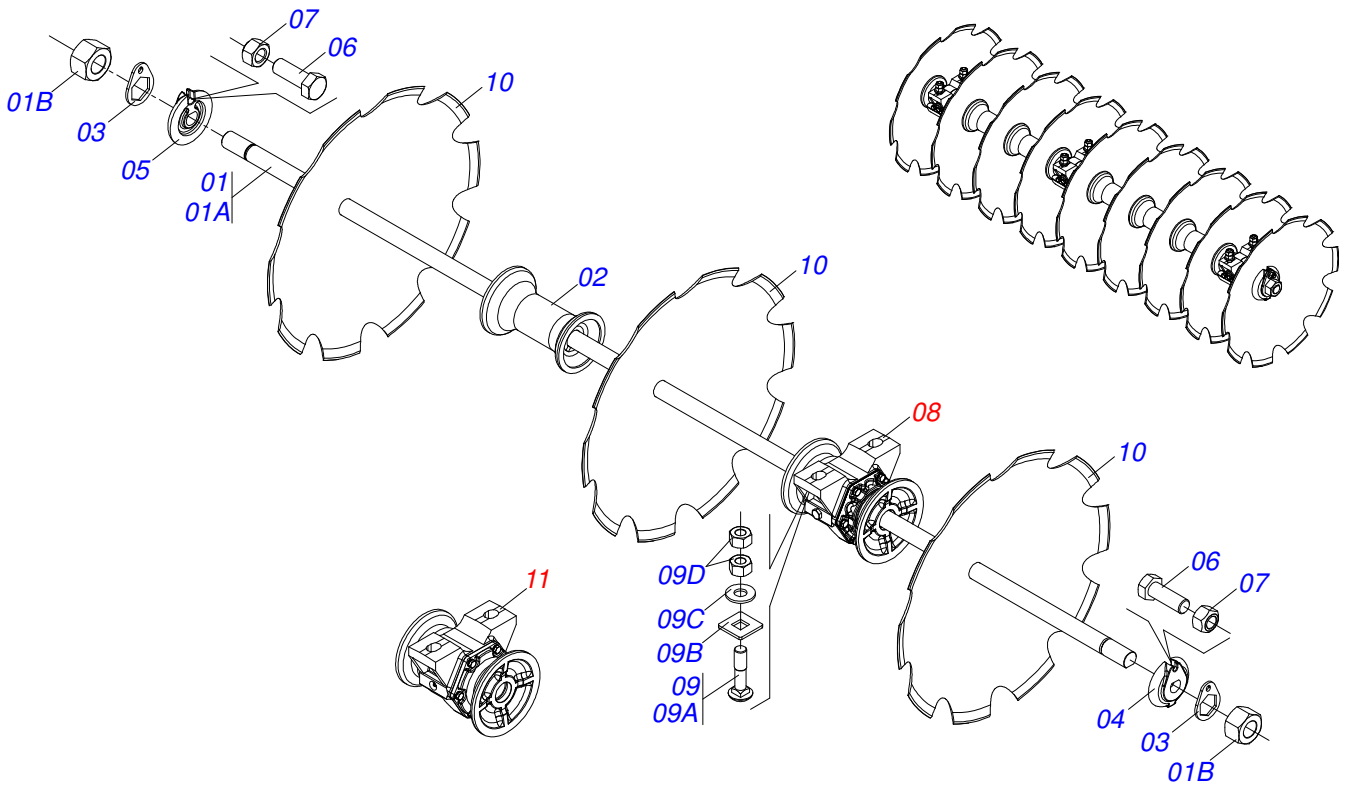
Item	Code	Description	012	014	016
01	0501046855	1-5/8" X 52" AXLE WITH NUTS 2-3/4	001	000	000
01A	0501015237	1-5/8" X 52" AXLE	001	000	000
01B	0502040640	1.5/8" 2.3/4" NUT	002	000	000
02	0502010626	8.9" 1-5/8" SPACER	003	004	004
03	0511014339	1-5/8" 2.8" NUT LOCK	002	002	002
04	0502011048	1-5/8" EXTERNAL AXLE WASHER	001	001	001
05	0502011047	1-5/8" INNER AXLE WASHER	001	001	001
06	0503011267	5/8" X 1.1/2" BOLT	002	002	002
07	0503012412	HEX SELF ADJUSTING NUT 5/8 UNC S	002	002	002
08	0501046923	9"X 1-5/8" OIL BATH BEARING	002	002	002
09	0511040034	3/4" X 3-1/4" BOLT ASSY	004	004	004
09A	0501017303	3/4" X 3-1/4" BOLT	004	004	004
09B	0501010949	3/4" SQUARE WASHER	004	004	004
09C	0501010322	FLAT WASHER	004	004	004
09D	0503010014	3/4" NUT	008	008	008
10	0602030002	NOTCHED DISC BLADE	006	007	008
10.	0602030005	24" X 0.2" NOTCHED DISC BLADE	006	007	008
10..	0602033005	26" X 0.2" NOTCHED DISC BLADE	006	007	008
10...	0602037004	28" X 0.2" NOTCHED DISC BLADE	000	007	008
11	0501046857	1-5/8" X 61" AXLE WITH NUTS 2-3/4"	001	000	000
11A	0501015632	1-5/8" X 61" AXLE	001	000	000
11B	0502040640	1.5/8" 2.3/4" NUT	002	000	000
12	0501046859	1-5/8" X 70" AXLE WITH NUTS 2-3/4"	000	000	001
12A	0501015631	1-5/8" X 70" AXLE	000	000	001
12B	0502040640	1.5/8" 2.3/4" NUT	000	000	002
13	0501046914	CM GX 9" 1-5/8" SD PR BEARING ASSY	002	002	002



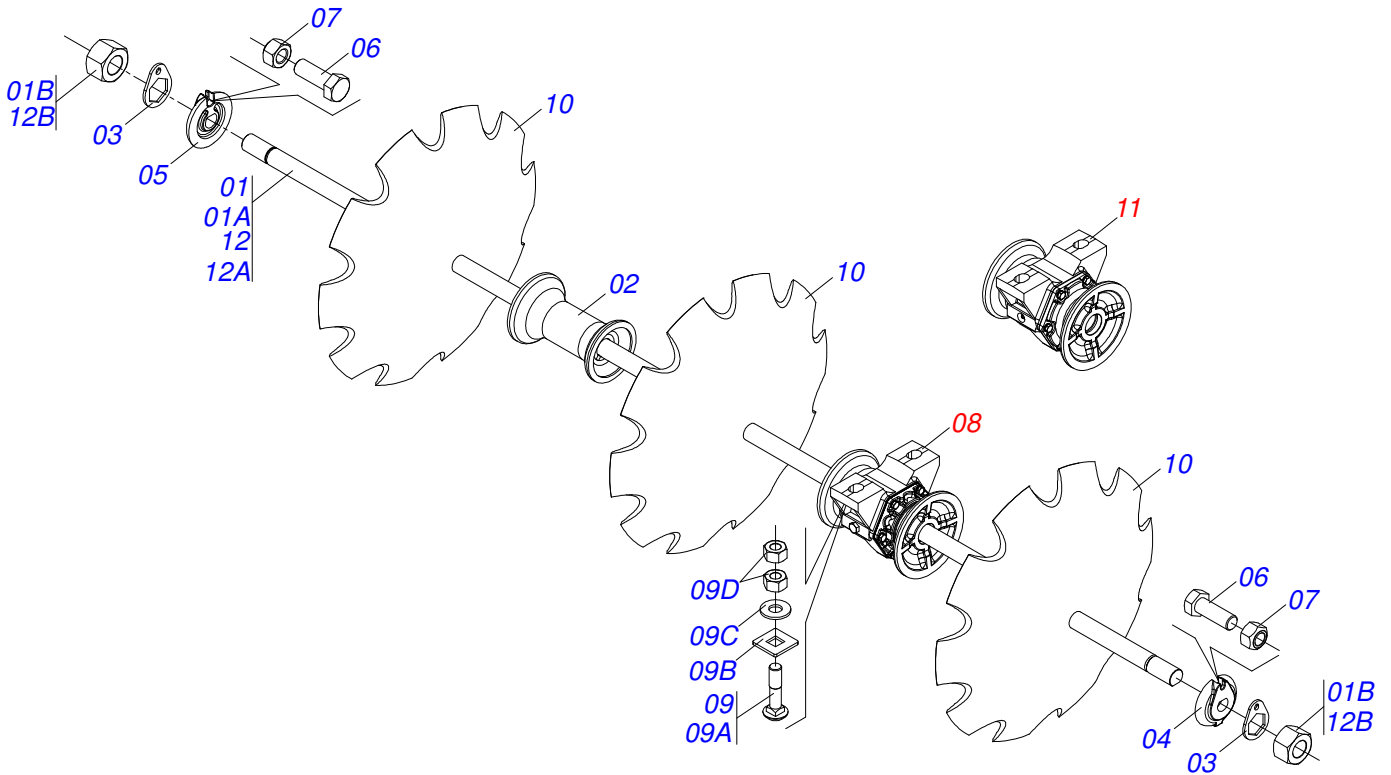
Item	Code	Description	012	014	016
01	0501046855	1-5/8" X 52" AXLE WITH NUTS 2-3/4"	001	000	000
01A	0501015237	1-5/8" X 52" AXLE	001	000	000
01B	0502040640	1.5/8" 2.3/4" NUT	002	000	000
02	0502010626	8.9" 1-5/8" SPACER	003	004	004
03	0511014339	1-5/8" 2.8" NUT LOCK	002	002	002
04	0502011047	1-5/8" INNER AXLE WASHER	001	001	001
05	0502011048	1-5/8" EXTERNAL AXLE WASHER	001	001	001
06	0503011267	5/8" X 1.1/2" BOLT	002	002	002
07	0503012412	HEX SELF ADJUSTING NUT 5/8 UNC S	002	002	002
08	0501046923	9" X 1-5/8" OIL BATH BEARING	002	002	002
09	0511040034	3/4" X 3-1/4" BOLT ASSY	004	004	004
09A	0501017303	3/4" X 3-1/4" BOLT	004	004	004
09B	0501010949	3/4" SQUARE WASHER	004	004	004
09C	0501010322	FLAT WASHER	004	004	004
09D	0503010014	3/4" NUT	008	008	008
10	0602030002	NOTCHED DISC BLADE	006	007	008
10.	0602030005	24" X 0.2" NOTCHED DISC BLADE	006	007	008
10..	0602033005	26" X 0.2" NOTCHED DISC BLADE	006	007	008
10...	0602037004	28" X 0.2" NOTCHED DISC BLADE	000	007	008
11	0501046857	1-5/8" X 61" AXLE WITH NUTS 2-3/4"	001	000	000
11A	0501015632	1-5/8" X 61" AXLE	001	000	000
11B	0502040640	1.5/8" 2.3/4" NUT	002	000	000
12	0501046859	1-5/8" X 70" AXLE WITH NUTS 2-3/4"	000	000	001
12A	0501015631	1-5/8" X 70" AXLE	000	000	001
12B	0502040640	1.5/8" 2.3/4" NUT	000	000	002
13	0501046914	CM GX 9" 1-5/8" SD PR BEARING ASSY	002	002	002



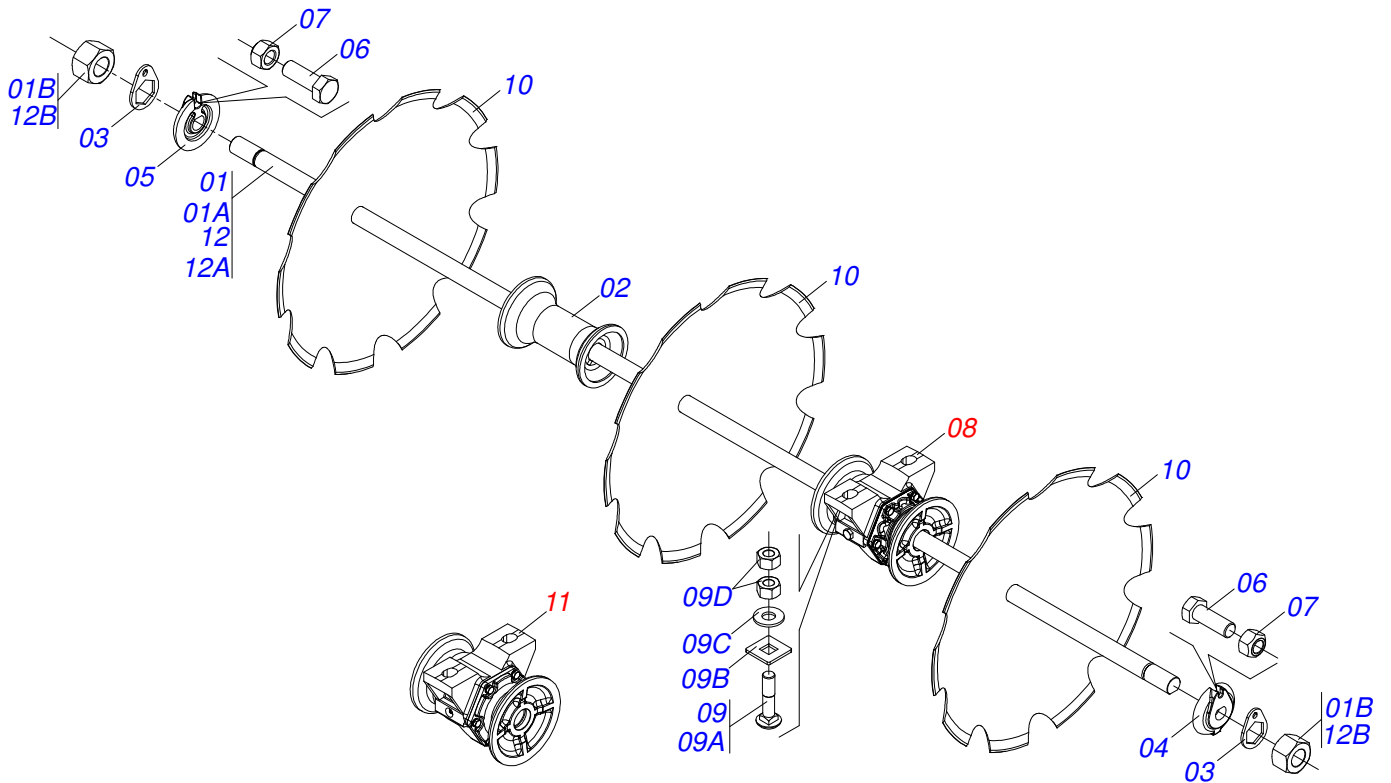
Item	Code	Description	QT
01	0501046860	1-5/8" X 79" AXLE WITH NUTS 2-3/4"	01
01A	0501015329	1-5/8 X 79" AXLE	01
01B	0502040640	1.5/8" 2.3/4" NUT	02
02	0502010626	8.9" 1-5/8" SPACER	05
03	0511014339	1-5/8" 2.8" NUT LOCK	02
04	0502011048	1-5/8" EXTERNAL AXLE WASHER	01
05	0502011047	1-5/8" INNER AXLE WASHER	01
06	0503011267	5/8" X 1.1/2" BOLT	02
07	0503012412	HEX SELF ADJUSTING NUT 5/8 UNC S	02
08	0501046923	9"X 1-5/8" OIL BATH BEARING	03
09	0511040034	3/4" X 3-1/4" BOLT ASSY	06
09A	0501017303	3/4" X 3-1/4" BOLT	06
09B	0501010949	3/4" SQUARE WASHER	06
09C	0501010322	FLAT WASHER	06
09D	0503010014	3/4" NUT	12
10	0602030005	24" X 0.2" NOTCHED DISC BLADE	09
10.	0602033005	26" X 0.2" NOTCHED DISC BLADE	09
10..	0602037004	28" X 0.2" NOTCHED DISC BLADE	09
11	0501046914	CM GX 9" 1-5/8" SD PR BEARING ASSY	03



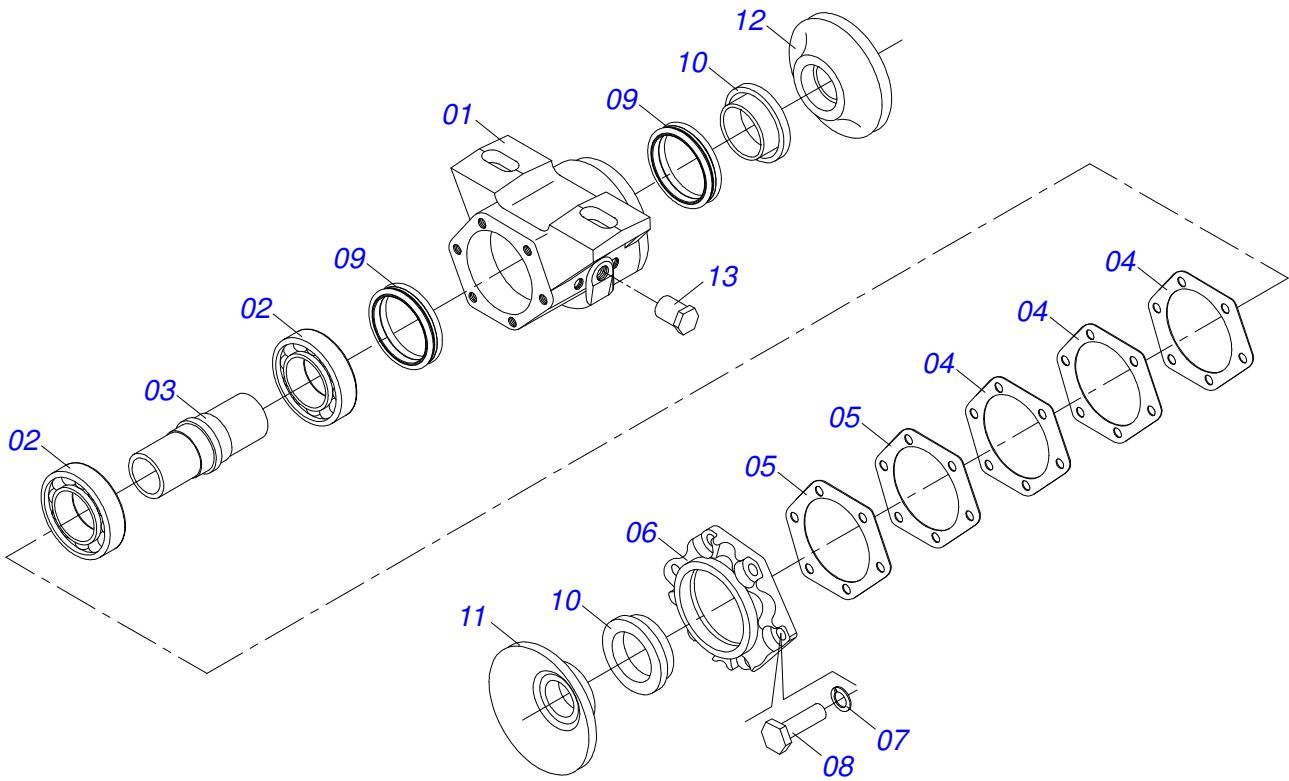
Item	Code	Description	QT
01	0501046860	1-5/8" X 79" AXLE WITH NUTS 2-3/4"	01
01A	0501015329	1-5/8 X 79" AXLE	01
01B	0502040640	1.5/8" 2.3/4" NUT	02
02	0502010626	8.9" 1-5/8" SPACER	05
03	0511014339	1-5/8" 2.8" NUT LOCK	02
04	0502011047	1-5/8" INNER AXLE WASHER	01
05	0502011048	1-5/8" EXTERNAL AXLE WASHER	01
06	0503011267	5/8" X 1.1/2" BOLT	02
07	0503012412	HEX SELF ADJUSTING NUT 5/8 UNC S	02
08	0501046923	9"X 1-5/8" OIL BATH BEARING	03
09	0511040034	3/4" X 3-1/4" BOLT ASSY	06
09A	0501017303	3/4" X 3-1/4" BOLT	06
09B	0501010949	3/4" SQUARE WASHER	06
09C	0501010322	FLAT WASHER	06
09D	0503010014	3/4" NUT	12
10	0602030005	24" X 0.2" NOTCHED DISC BLADE	09
10.	0602033005	26" X 0.2" NOTCHED DISC BLADE	09
10..	0602037004	28" X 0.2" NOTCHED DISC BLADE	09
11	0501046914	CM GX 9" 1-5/8" SD PR BEARING ASSY	03



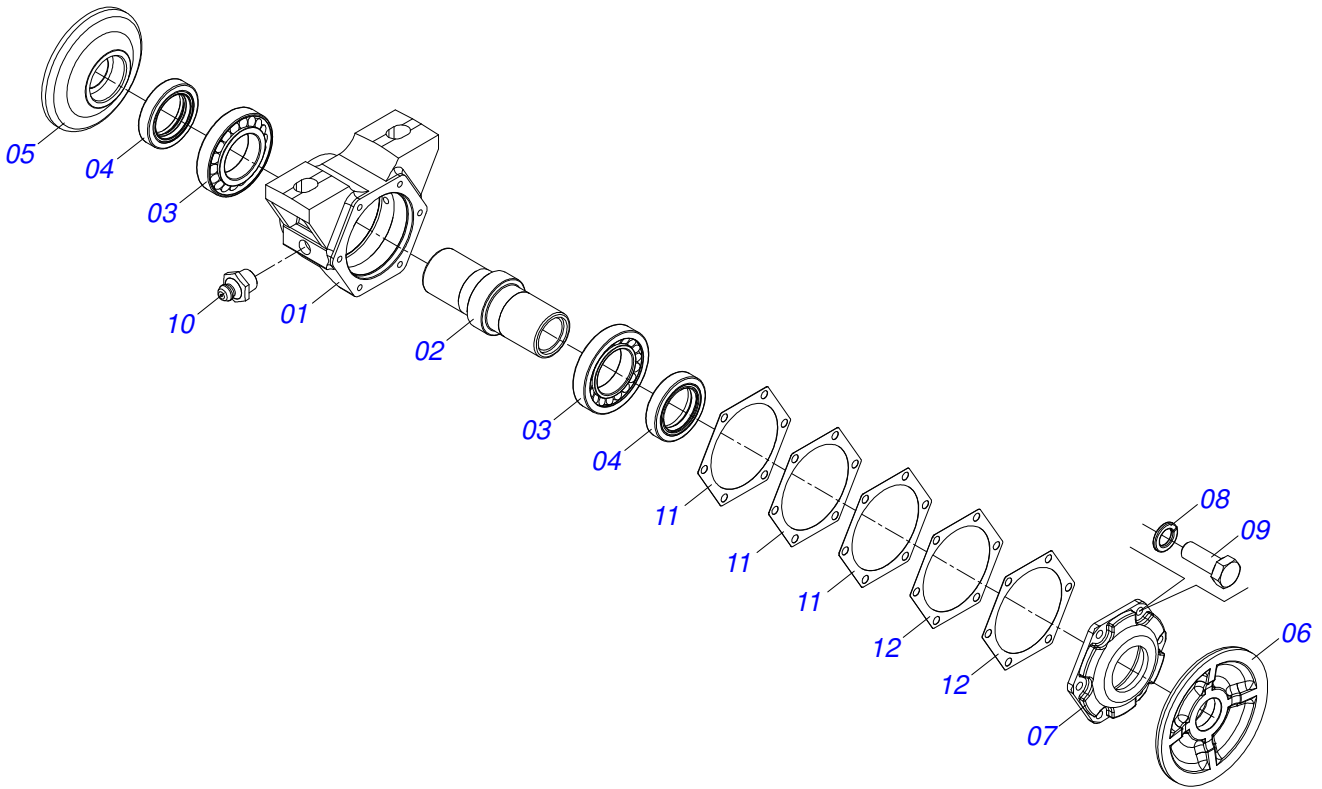
Item	Code	Description	020	022	024
01	0501046853	1-5/8" X 43" AXLE WITH NUTS 2-3/4	002	001	000
01A	0501015029	1-5/8" X 43" AXLE	002	001	000
01B	0502040640	1.5/8" 2.3/4" NUT	004	002	000
02	0502010626	8.9" 1-5/8" SPACER	004	005	006
03	0511014339	1-5/8" 2.8" NUT LOCK	004	004	004
04	0502011048	1-5/8" EXTERNAL AXLE WASHER	002	002	002
05	0502011047	1-5/8" INNER AXLE WASHER	002	002	002
06	0503011267	5/8" X 1.1/2" BOLT	004	004	004
07	0503012412	HEX SELF ADJUSTING NUT 5/8 UNC S	004	004	004
08	0501046923	9"X 1-5/8" OIL BATH BEARING	004	004	004
09	0511040034	3/4" X 3-1/4" BOLT ASSY	008	008	008
09A	0501017303	3/4" X 3-1/4" BOLT	008	008	008
09B	0501010949	3/4" SQUARE WASHER	008	008	008
09C	0501010322	FLAT WASHER	008	008	008
09D	0503010014	3/4" NUT	016	016	016
10	0602030005	24" X 0.2" NOTCHED DISC BLADE	010	011	012
10.	0602033005	26" X 0.2" NOTCHED DISC BLADE	010	011	012
10..	0602037004	28" X 0.2" NOTCHED DISC BLADE	010	011	012
11	0501046914	CM GX 9" 1-5/8" SD PR BEARING ASSY	004	004	004
12	0501046855	1-5/8" X 52" AXLE WITH NUTS 2-3/4	000	001	002
12A	0501015237	1-5/8" X 52" AXLE	000	001	002
12B	0502040640	1.5/8" 2.3/4" NUT	000	002	004



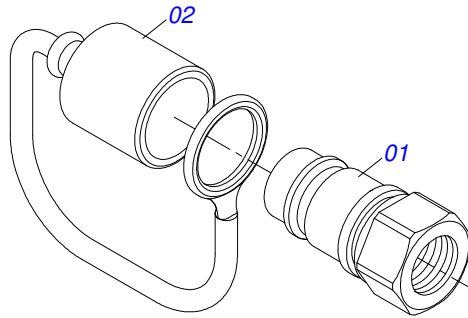
Item	Code	Description	020	022	024
01	0501046853	1-5/8" X 43" AXLE WITH NUTS 2-3/4	002	001	000
01A	0501015029	1-5/8" X 43" AXLE	002	001	000
01B	0502040640	1.5/8" 2.3/4" NUT	004	002	000
02	0502010626	8.9" 1-5/8" SPACER	004	005	006
03	0511014339	1-5/8" 2.8" NUT LOCK	004	004	004
04	0502011047	1-5/8" INNER AXLE WASHER	002	002	002
05	0502011048	1-5/8" EXTERNAL AXLE WASHER	002	002	002
06	0503011267	5/8" X 1.1/2" BOLT	004	004	004
07	0503012412	HEX SELF ADJUSTING NUT 5/8 UNC S	004	004	004
08	0501046923	9"X 1-5/8" OIL BATH BEARING	004	004	004
09	0511040034	3/4" X 3-1/4" BOLT ASSY	008	008	008
09A	0501017303	3/4" X 3-1/4" BOLT	008	008	008
09B	0501010949	3/4" SQUARE WASHER	008	008	008
09C	0501010322	FLAT WASHER	008	008	008
09D	0503010014	3/4" NUT	016	016	016
10	0602030005	24" X 0.2" NOTCHED DISC BLADE	010	011	012
10.	0602033005	26" X 0.2" NOTCHED DISC BLADE	010	011	012
10..	0602037004	28" X 0.2" NOTCHED DISC BLADE	010	011	012
11	0501046914	CM GX 9" 1-5/8" SD PR BEARING ASSY	004	004	004
12	0501046855	1-5/8" X 52" AXLE WITH NUTS 2-3/4	000	001	002
12A	0501015237	1-5/8" X 52" AXLE	000	001	002
12B	0502040640	1.5/8" 2.3/4" NUT	000	002	004



Item	Code	Description	QT
01	0502020445	HOUSING DM	01
02	0503010113	30212 ROLLER BEARING	02
03	0502010639	AXLE FOR CM/DM	01
04	0503031972	137 X 113,2 X 0,3 JOINT	03
05	0503031973	137 X 113,2 X 0,1 JOINT	02
06	0502012445	BEARING COVER BOX (BOX SLIGHTLY)	01
07	0503011443	SPRING WASHER	06
08	0503010237	3/8" X 1" BOLT	06
09	0503030027	DUO-CONE SEAL	02
10	0502010633	SEAL RETAINER	02
11	0502040239	OUTER FLANGE	01
12	0502040240	INNER FLANGE	01
13	0503010856	OIL PLUG	01



Item	Code	Description	QT
01	0502020448	HOUSING CM	01
02	0502010639	AXLE FOR CM/DM	01
03	0503010113	30212 ROLLER BEARING	02
04	0503010327	SEAL 00556-GB	02
05	0502040240	INNER FLANGE	01
06	0502040239	OUTER FLANGE	01
07	0502020457	HOUSING CAP CM	01
08	0503011443	SPRING WASHER	06
09	0503010237	3/8" X 1" BOLT	06
10	0503010002	1800 GREASE FITTING	02
11	0503031972	137 X 113,2 X 0,3 JOINT	03
12	0503031973	137 X 113,2 X 0,1 JOINT	02



Item	Code	Description	QT
01	0503011627	QUICK CONNECTION (MALE) AGR 1/2 NPT	01
02	0503011882	QUICK CONNECTION COVER	01

ANNOTATIONS



email: civemasa@civemasa.com.br

www.civemasa.com.br

Phone: +55 16.3382.8222

Fax: +55 16.3382.8355

MARCHESAN IMPLEMENTOS E MÁQUINAS AGRÍCOLAS "TATU" S.A.

Av. Marchesan, 1979 - Post Office box, 131 - Cep 15994-900 - Matão - Sp - Brasil

CNPJ 52.311.289/0001-63 | Inst. Est.441.000.151.114

Technical Publications: Elaboration

ALESSANDRA PATRICIA KAWAHARA CARRILI

Technical Publications: Revision

ALESSANDRA PATRICIA KAWAHARA CARRILI

Contact Catálogo:

E-mail = jgaspari@marchesan.com.br

ORIGINAIS PARTS
CIVEMASA