

PARTS CATALOGUE

DISK HARROWS

GCLH-P 30/32/34/40D

Code: 0501092178



Series: S-0612

Rev.: 00

Date Rev.: MARÇO/2018

**ORIGINAL PARTS
CIVEMASA**

civemasa

PRODUCTS

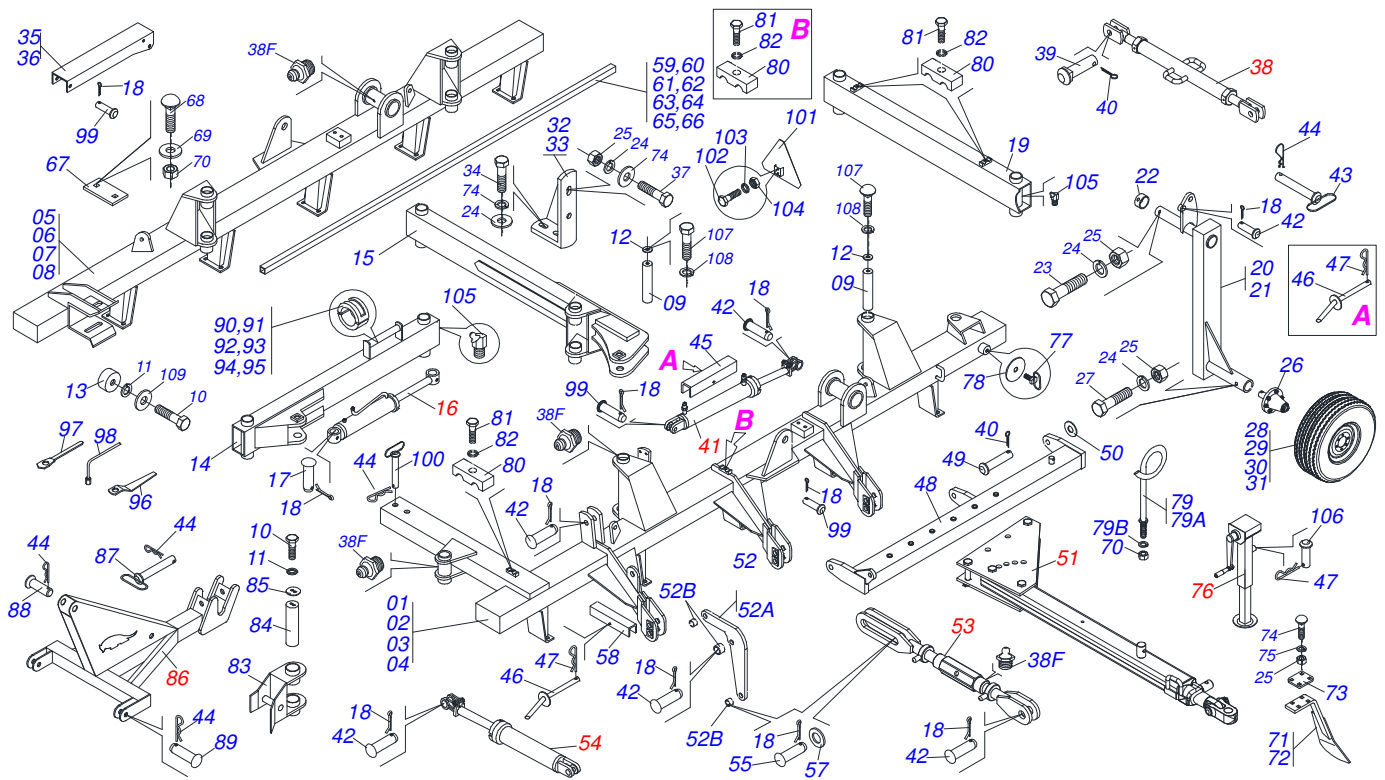
Code	Description
0120460001	GCLH-P 34 X 34 X 9,00 R DM 61270019

ATTENTION: **IMPORTANT**

CIVEMASA RESERVES THE RIGHT AT ANY TIME TO MAKE IMPROVEMENTS IN THE DESIGN, MATERIAL OR SPECIFICATIONS OF MACHINERY, EQUIPMENT OR PARTS WITHOUT THEREBY BECOMING LIABLE TO MAKE SIMILAR CHANGES IN MACHINERY, EQUIPMENT OR PARTS PREVIOUSLY SOLD.

INDEX

0909093785	FRAME ASSY	1
0501048041	2.0" X 5" X 35" X 24" HYDRAULIC CYLINDER	2
0511045489	CILINDRO HIDRAULICO	3
0501048744	2.0" X 4" X 31" X 15" HYDRAULIC CYLINDER	4
0511040697	1.7" X 3.4" X 20" X 8" HYDRAULIC CYLINDER	5
0501051885	CARRYING-WHEELS	6
0511043153	DRAWBAR JACK	7
0909090239	GANG DISG	8
0501046926	330MM X 2-1/8" RD. OIL BATH BEARING	9
0909090458	HYDRAULIC CIRCUIT GAPCW-EP	10



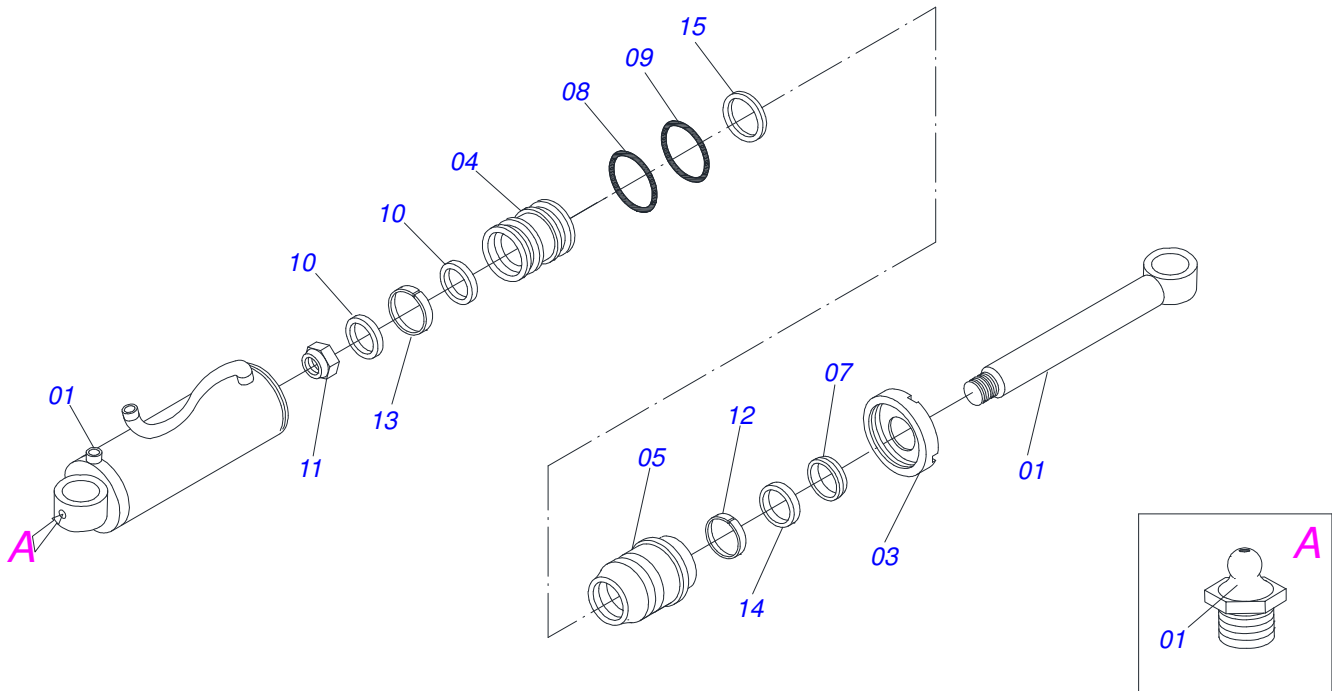
Item	Code	Description	30	32	34	40
001	0501069509	FRONT FRAME	01	00	00	00
002	0501069311	FRONT FRAME	00	01	00	00
003	0521061991	FRONT FRAME	00	00	01	00
004	0501069513	FRONT FRAME	00	00	00	01
005	0501069510	REAR FRAME	01	00	00	00
006	0501069312	REAR FRAME	00	01	00	00
007	0501069512	REAR FRAME	00	00	01	00
008	0501069514	REAR FRAME	00	00	00	01
009	0521011569	20" COUPLING SHAFT	05	05	05	05
010	0501010108	5/8" X 1" BOLT	03	03	03	03
011	0503010027	SPRING WASHER	03	03	03	03
012	0521011565	FLAT WASHER	10	10	10	10
013	0521011481	BEATER FRAME	01	01	01	01
014	0501069324	FRONT STABILIZER BAR	01	01	01	01
015	0501069325	REAR STABILIZER BAR	01	01	01	01
016	0501048041	2.0" X 5" X 35" X 24" HYDRAULIC CYLINDER	01	01	01	01
016.	0511045489	CILINDRO HIDRAULICO	01	01	01	01
017	0521011572	1.5 X 6.8" PIVOT SHAFT	02	02	02	02
018	0503010523	1/4" X 2" COTTERPIN	12	12	12	12
019	0501069328	JOIN	01	01	01	01
020	0501069353	RIGHT CARRYING-WHEELS SUPPORT	01	01	01	01
021	0501069354	LEFT CARRYING-WHEELS SUPPORT	01	01	01	01
022	0521011428	4.5" X 5.5" X 1.6" SLEEVE	02	02	02	02
023	0503010964	1/2" X 6-1/2" BOLT	02	02	02	02
024	0503010019	1/2" SPRING WASHER	60	60	60	60
025	0503010060	1/2" NUT	65	67	73	85
025.	0503010060	1/2" NUT	65	67	73	85
026	0501051885	CARRYING-WHEELS	02	02	02	02
027	0503010547	1/2" X 4" BOLT	02	02	02	02
028	0503060102	WHEEL AND TIRE	02	02	02	02
029	0501069483	WHEEL	02	02	02	02
030	0503012112	400/60 - 15.5 TR 15 INNER TIRE	02	02	02	02
031	0503013119	CANVAS TIRE	02	02	02	02

FRAME ASSY

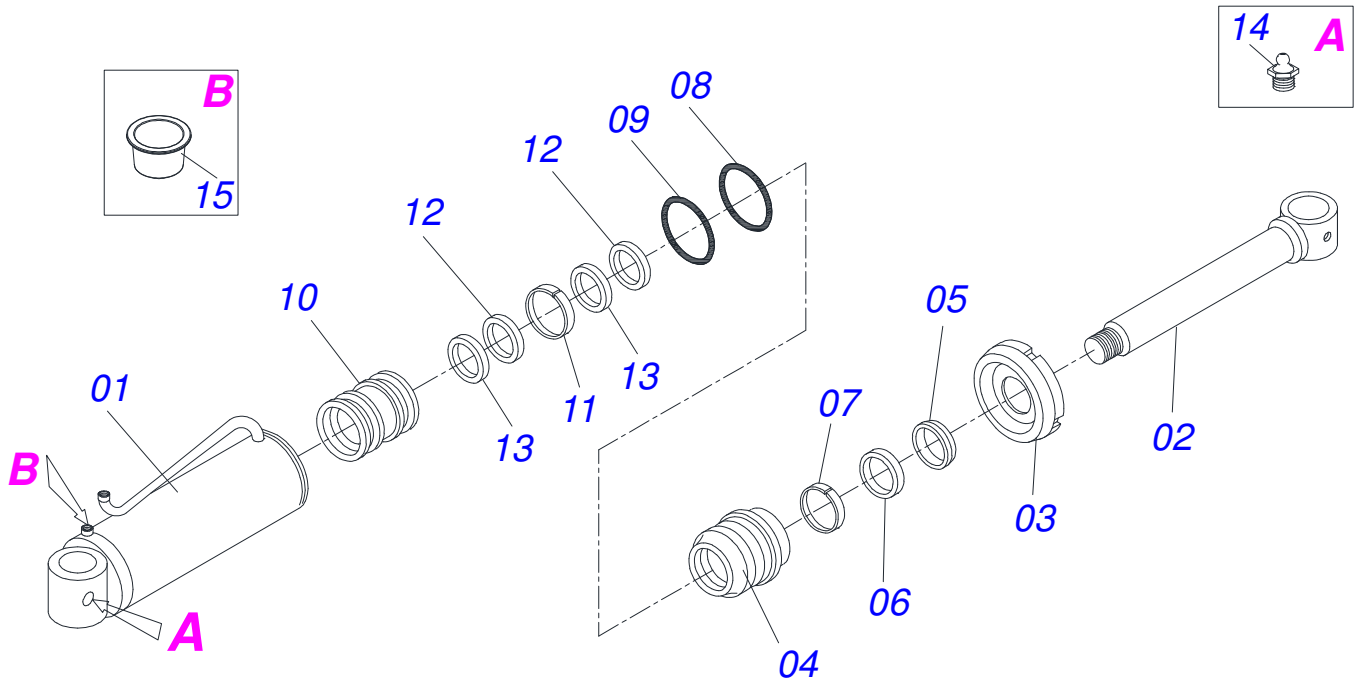
Item	Code	Description	30	32	34	40
032	0501069366	RIGHT TRANSPORT LOCK SUPPORT	01	01	01	01
033	0501069367	LEFT TRANSPORT LOCK SUPPORT	01	01	01	01
034	0503010395	1/2" X 1-1/4" BOLT	04	04	04	04
035	0501069345	LEFT LOCK WHEEL SUPPORT	01	01	01	01
036	0511060342	RIGHT LOCK WHEEL SUPPORT	01	01	01	01
037	0503010920	1/2" X 1.1/2" BOLT	04	04	04	04
038	0501051852	JOINT TURNBUCKLE ASSY	01	01	01	01
039	0521011573	1.5" X 4.7" PIVOT SHAFT	02	02	02	02
040	0503010534	3/8 X 2-1/2 COTTERPIN	09	09	09	09
041	0501048744	2.0" X 4" X 31" X 15" HYDRAULIC CYLINDER	02	02	02	02
042	0521012538	1.2" X 3.5" COUPLING SHAFT	05	05	05	05
043	0501069348	1.1/16 X 180 HITCH AXLE	02	02	02	02
044	0503030012	HAIR PIN	03	03	03	03
045	0521011567	TRANSPORT LOCK	02	02	02	02
046	0501068994	0.3" X 3.1" LOCK PIN	03	03	03	03
047	0503030168	HAIR PIN	03	04	03	04
048	0501069319	OFFSET BAR	01	01	01	01
049	0521011574	1.5" X 6.1" PIVOT SHAFT	03	03	03	03
050	0521011721	1.6" X 3.94" X 0.12" WASHER	06	06	06	06
051	0501048069	DRAWBAR ASSY	01	01	01	01
052	0501110518	DRAWBAR PIVOT	01	01	01	01
052A	0501069430	DRAWBAR PIVOT	01	01	01	01
052B	0511019920	LUVA 32,7 X 38,8 X 25,40	03	03	03	03
053	0501051853	STABILIZER DRAWBAR	01	01	01	01
054	0511040697	1.7" X 3.4" X 20" X 8" HYDRAULIC CYLINDER	01	01	01	01
055	0501019649	1.2" X 2.9" COUPLING SHAFT	01	01	01	01
056	0521010779	COUPLING SHAFT	01	01	01	01
057	0501017779	FLAT WASHER	04	04	04	02
058	0511010420	8.5" X 1.8" TRANSPORT LOCK	01	01	01	01
059	0521012261	196.5" FRONT SCRAPER TUBE	01	00	00	00
060	0521011854	210.2" FRONT SCRAPER TUBE	00	01	00	00
061	0521012263	224" FRONT SCRAPER TUBE	00	00	01	00
062	0521012265	131.9" FRONT SCRAPER TUBE	00	00	00	01
063	0521012262	207.5" REAR SCRAPER TUBE	01	00	00	00
064	0521011855	221.2" REAR SCRAPER TUBE	00	01	00	00
065	0521012264	235" REAR SCRAPER TUBE	00	00	01	00
066	0521012266	137.8" REAR SCRAPER TUBE	00	00	00	01
067	0521011566	FIXER PLATE TUBE CLEANER	12	12	12	12
068	0501010162	3/4" X 4" BOLT	24	24	24	24
069	0501010322	FLAT WASHER	24	24	24	24
070	0503010014	3/4" NUT	26	26	26	26
071	0501069486	FRONT SCRAPER	15	16	17	20
072	0501069489	REAR SCRAPER	15	16	17	20
073	0521011774	FIXER PLATE CLEANER	30	32	34	40
074	0503012110	1/2" X 3-3/4" BOLT	60	64	68	80
074.	0503012110	1/2" X 3-3/4" BOLT	60	64	68	80
075	0511017302	FLAT WASHER	65	69	73	85
075.	0511017302	FLAT WASHER	65	69	73	85
076	0511043153	DRAWBAR JACK	01	01	01	01
077	0501069343	WRENCH FIXER	01	01	01	01
078	0521011722	FLAT WASHER	01	01	01	01
079	0501040257	3/4 X 1200 HOSE HOLDER A	01	01	01	01
079A	0501013935	HOSE HOLDER	01	01	01	01
079B	0503010023	SPRING WASHER	01	01	01	01
080	0502012702	BODY SUPPORT CLAMP	05	05	05	05
081	0503012555	7/16" X 2" BOLT	05	05	05	05
082	0503010180	7/16" SPRING WASHER	05	05	05	05
083	0501069369	DRAWBAR TRANSPORT COMPLEMENT	01	01	01	01
084	0501069370	LOCK BUSHING	01	01	01	01
085	0521011615	WASHER	02	02	02	02
086	0501069368	TRANSPORT DRAWBAR	01	01	01	01
087	0501069466	1.1/16 X 160 HITCH AXLE	01	01	01	01

FRAME ASSY

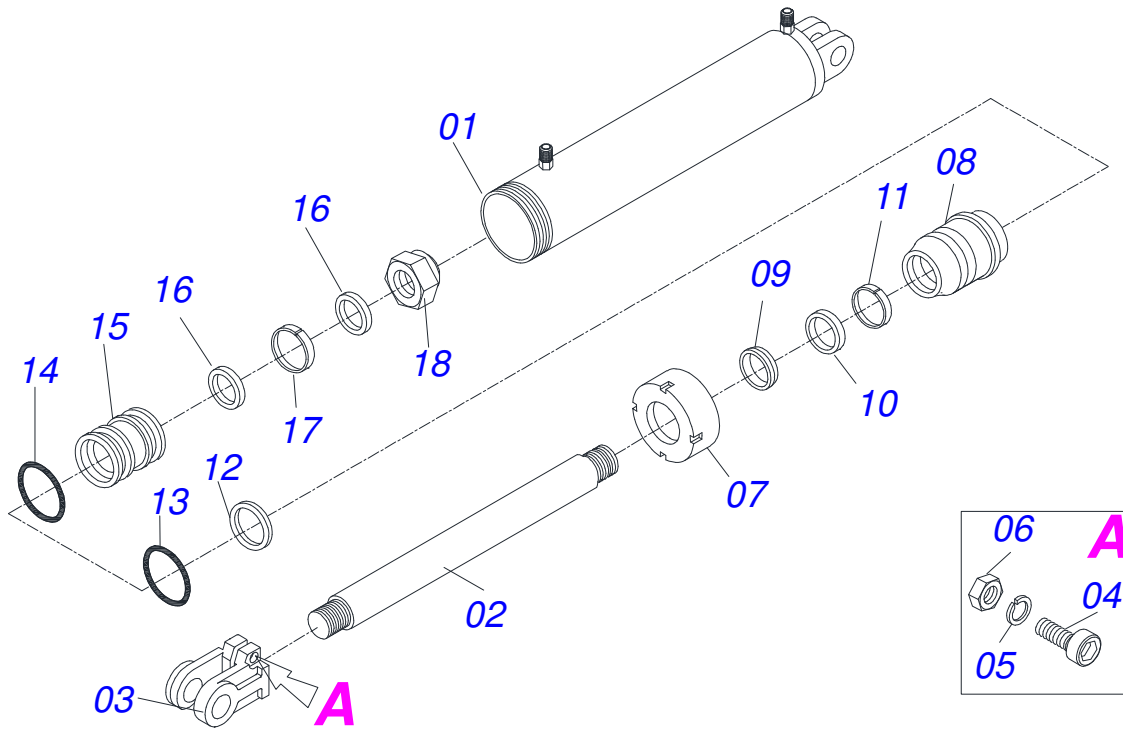
Item	Code	Description	30	32	34	40
088	0521011571	1.2" X 5.1" AXLE	01	01	01	01
089	0521011570	1.4" X 6.1" COUPLING SHAFT	02	02	02	02
090	0501043620	0.98" ROD STOP FOR 2" CYLINDER	01	01	01	01
091	0501043694	1.18" ROD STOP FOR 2" CYLINDER	01	01	01	01
092	0501046407	1.18" ROD STOP FOR 2" CYLINDER	01	01	01	01
093	0501043695	1.6" ROD STOP FOR 2" CYLINDER	01	01	01	01
094	0501043688	1.96" ROD STOP FOR 2" CYLINDER	01	01	01	01
095	0501044341	2.4" SPACER RING FOR 2" CYLINDER	01	01	01	01
096	0501011432	1-1/2" AND 1-5/8 GANG BOLT WRENCH	01	01	01	01
097	0501061044	2-1/8" AND 2-1/2" CABLE FLAT WRENCH	02	02	02	02
098	0501061045	1" WRENCH CYLINDRICAL	01	01	01	01
099	0531013655	1.2" X 6.9" COUPLING SHAFT	02	02	02	02
100	0501069350	230 PIVOT SHAFT WITH PULL	01	01	01	01
101	0511061626	SLOW-MOVING VEHICLE EMBLEM	01	01	01	01
102	0503010519	1/4" X 5/8" BOLT	02	02	02	02
103	0503010143	SPRING WASHER	07	07	07	07
104	0503010144	1/4" NUT	05	05	05	05
105	0503010003	1845 GREASE FITTING	02	02	02	02
106	0541011345	16 X 68 PLUGER	01	01	01	01
107	0503011250	1" X 2" BOLT	10	10	10	10
108	0503011438	SPRING WASHER	10	10	10	10
109	0501012140	FLAT WASHER	01	01	01	01



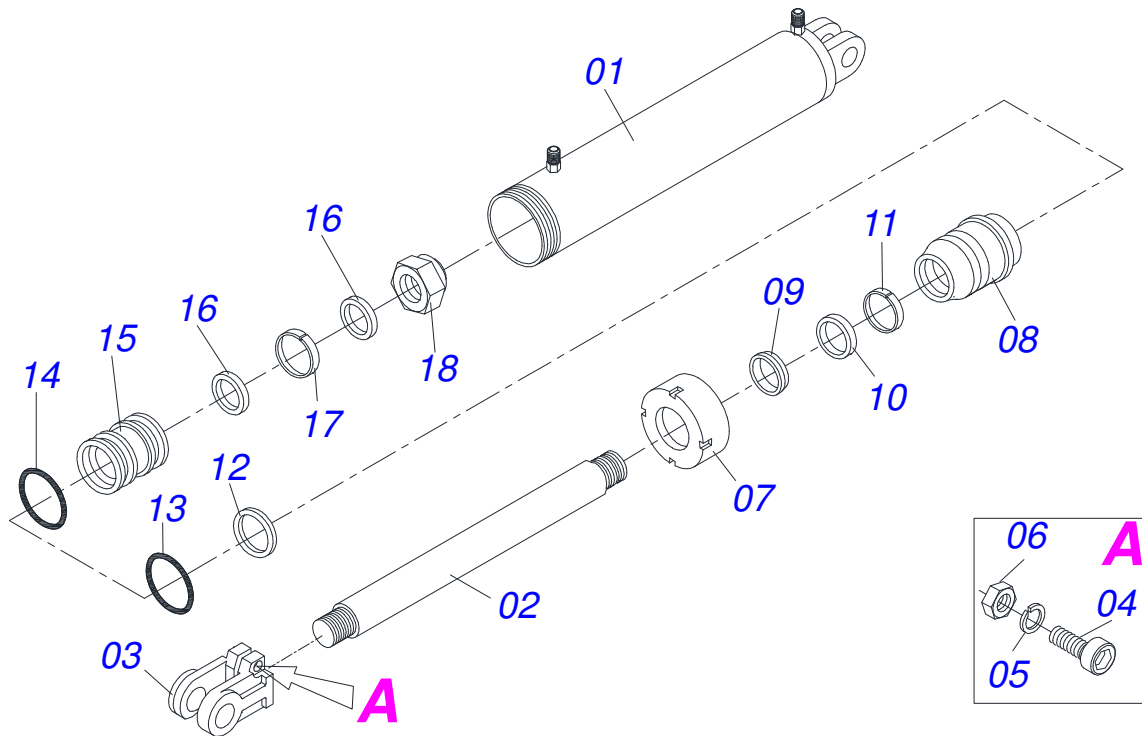
Item	Code	Description	QT
00	0501048041	2.0" X 5" X 35" X 24" HYDRAULIC CYLINDER	01
01	0501069480	2" X 32" TURNBUCLE WITH BUSHING	01
02	0501069481	5" X 32" CYLINDER CASE	01
03	0502010382	5" HEAD	01
04	0502010963	2.0" X 5.0" PISTON	01
05	0502012227	50,80 X 127 RING SUPPORT	01
06	0503010002	1800 GREASE FITTING	02
07	0503010039	D-2000 SCRAPER RING	01
08	0503010345	2-218 N 3006-9B O'RING	01
09	0503010351	2-425 N 3006-9B O'RING	01
10	0503010552	PACKING 3750-4250-625-B	02
11	0503010817	1-1/4" SELF-ADJUSTING NUT	01
12	0503010952	W2-2250-500 PK RING G.E	01
13	0503010974	W2-5000-500 PK RING G.E	01
14	0503010991	PACKING 1870-2000-375-B	01
15	0503011062	8-425 BACK-UP RING	01
16	0501031961	HYDRAULIC CYLINDER REPAIR KIT	01



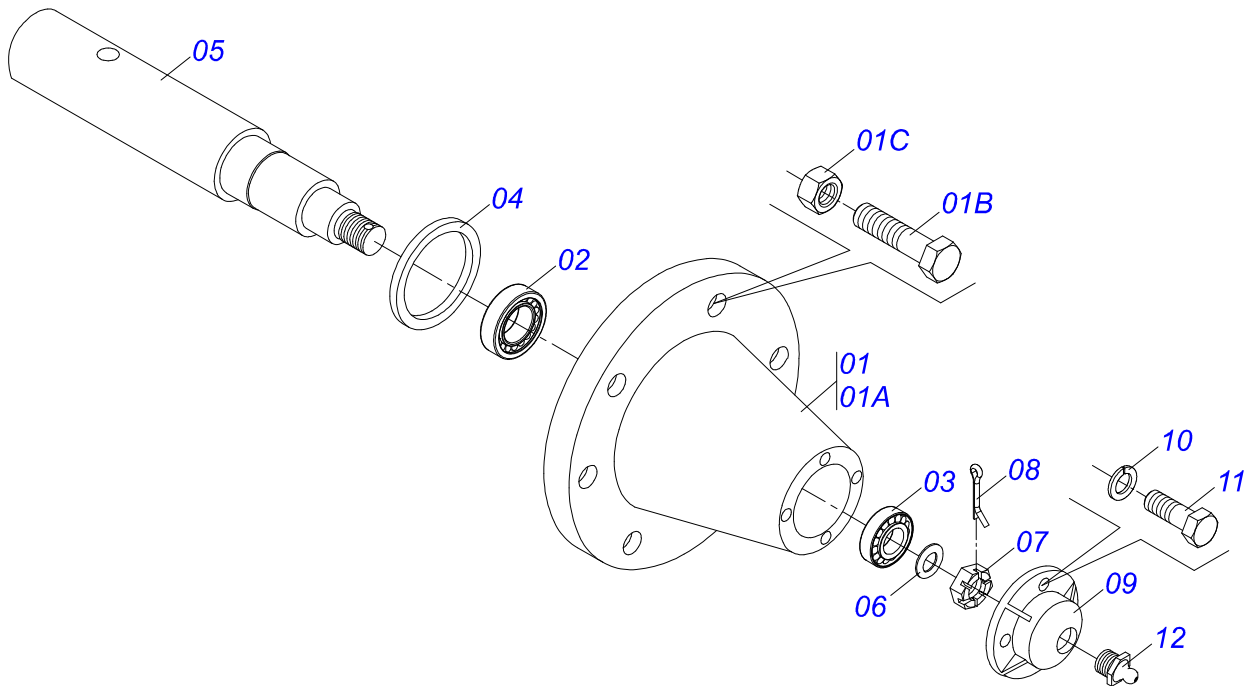
Item	Code	Description	QT
00	0511045489	CILINDRO HIDRAULICO	01
01	0511068001	127 X 783 CYLINDER CASE	01
02	0511068088	63,50 X 787 TURNBUCKLE	01
03	0502010382	5" HEAD	01
04	0502010966	2.5" X 5" RING SUPPORT	01
05	0503010287	D-2500 SCRAPER RING	01
06	0503010288	PACKING 2500-2500-375-B	01
07	0503010971	W2-2750-500 PK RING G.I	01
08	0503010351	2-425 N 3006-9B O'RING	01
09	0503011062	8-425 BACK-UP RING	01
10	0502011563	PISTON	01
11	0503012590	SEAL RING	01
12	0503012592	RING (TEFLON)	02
13	0503012593	RUBBER RING	02
14	0503010002	1800 GREASE FITTING	02
15	0503030384	CON N-001 PLUG	02



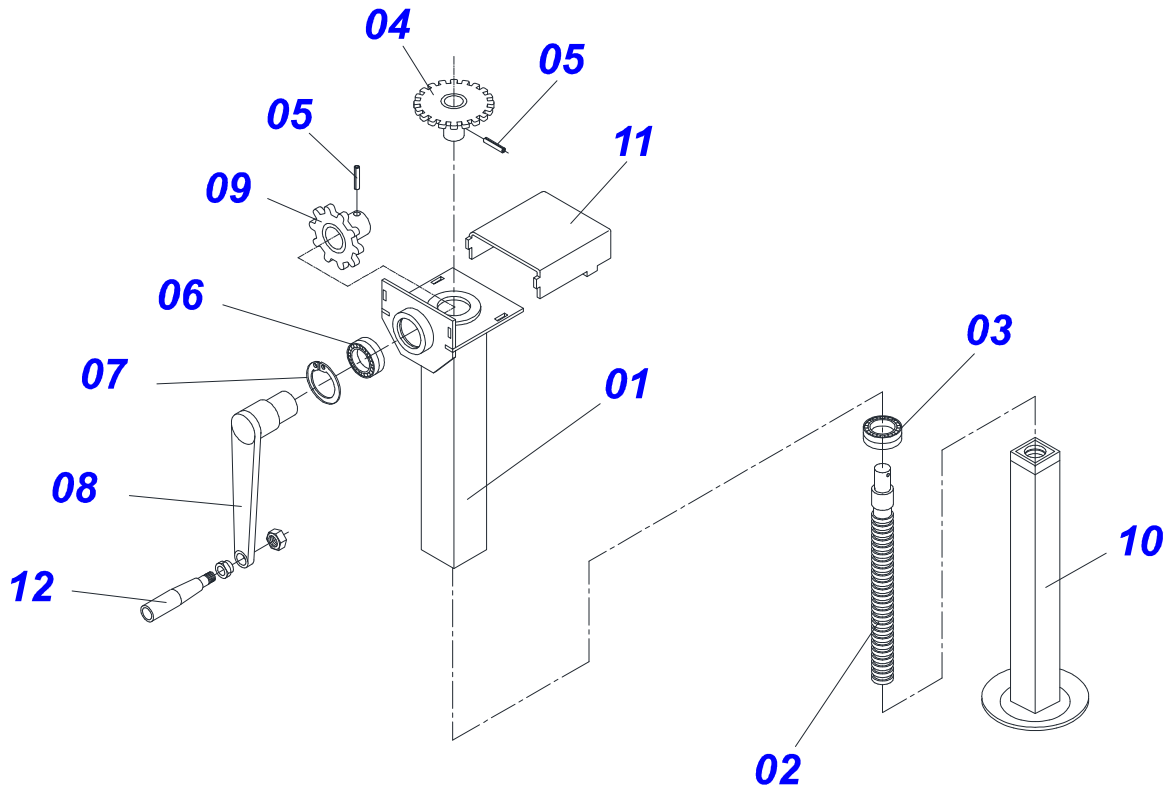
Item	Code	Description	QT
00	0501048744	2.0" X 4" X 31" X 15" HYDRAULIC CYLINDER	01
01	0511060448	4" X 23,4" CYLINDER CASE	01
02	0501018530	2" X 26" TURNBUCKLE	01
03	0502040747	FORK	01
04	0503011094	3/8" X 2" BOLT C C S I 12.9	01
05	0503010025	3/8 SPRING WASHER	01
06	0503010026	3/8" NUT	01
07	0502010017	4" HEAD	01
08	0502010778	2" X 4.2" RING SUPPORT	01
09	0503010039	D-2000 SCRAPER RING	01
10	0503010991	PACKING 1870-2000-375-B	01
11	0503010952	W2-2250-500 PK RING G.E	01
12	0503011061	8-342 BACK-UP RING	01
13	0503010338	2-342 N 3006-9B O'RING	01
14	0503010345	2-218 N 3006-9B O'RING	01
15	0502010992	2.0" X 4.0" PISTON	01
16	0503010043	PACKING 3750-3250	02
17	0503010994	W2-4000-500 PK RING G.E	01
18	0503010817	1-1/4" SELF-ADJUSTING NUT	01
19	0501031799	HYDRAULIC CYLINDER REPAIR KIT	01



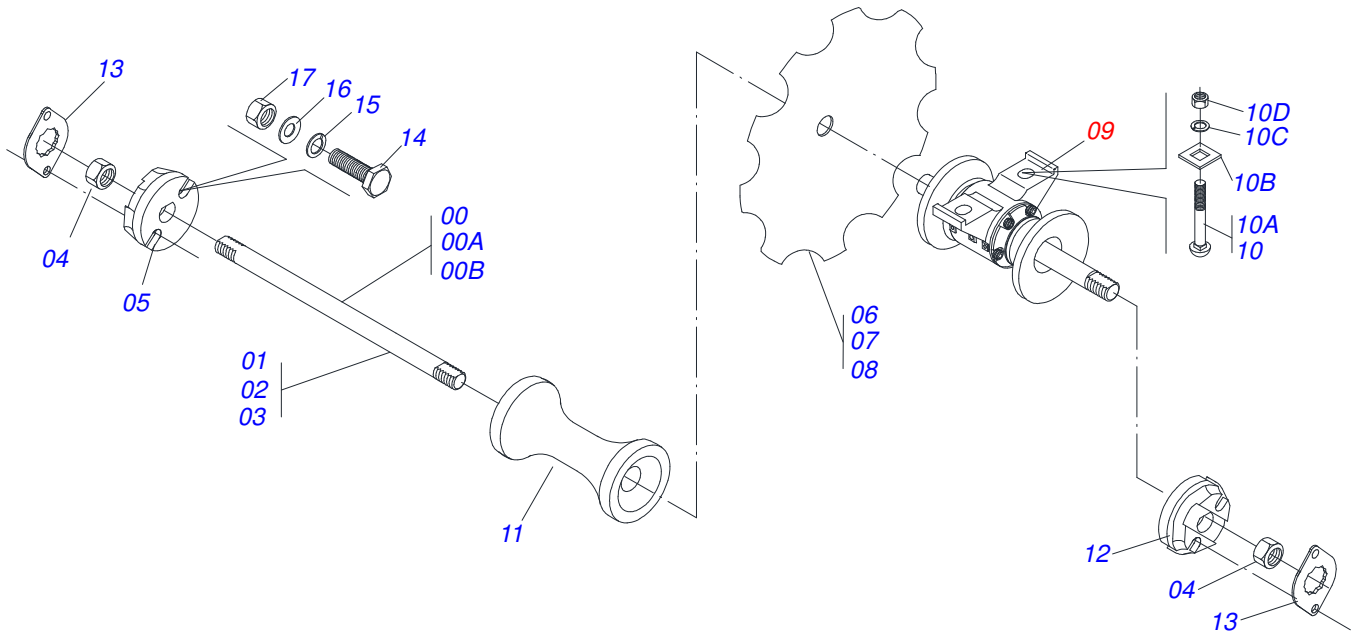
Item	Code	Description	QT
00	0511040697	1.7" X 3.4" X 20" X 8" HYDRAULIC CYLINDER	01
01	0511063257	3,4" X 12,3" CYLINDER CASE	01
02	0501018532	1.7" X 15.6" TURNBUCLE	01
03	0502040747	FORK	01
04	0503011094	3/8" X 2" BOLT C C S I 12.9	01
05	0503010025	3/8 SPRING WASHER	01
06	0503010026	3/8" NUT	01
07	0502010993	DETACHABLE COVER	01
08	0502010781	RING SUPPORT	01
09	0503010761	D-1750 SCRAPER RING	01
10	0503010990	GASKET	01
11	0503010949	W2-2000-500 PK RING G.E	01
12	0503011060	8-336 BACK-UP RING	01
13	0503010976	2-336 N 3006-9B O'RING	01
14	0503010042	2-214 N 3006-9B O'RING	01
15	0502010843	1.8" X 3.4" PISTON	01
16	0503010170	PACKING 3120 2750	02
17	0503010948	W4-3346-590 PK RING G.E	01
18	0503010063	1" SELF-ALIGNING NUT	01
19	0501031796	HYDRAULIC CYLINDER REPAIR KIT	01



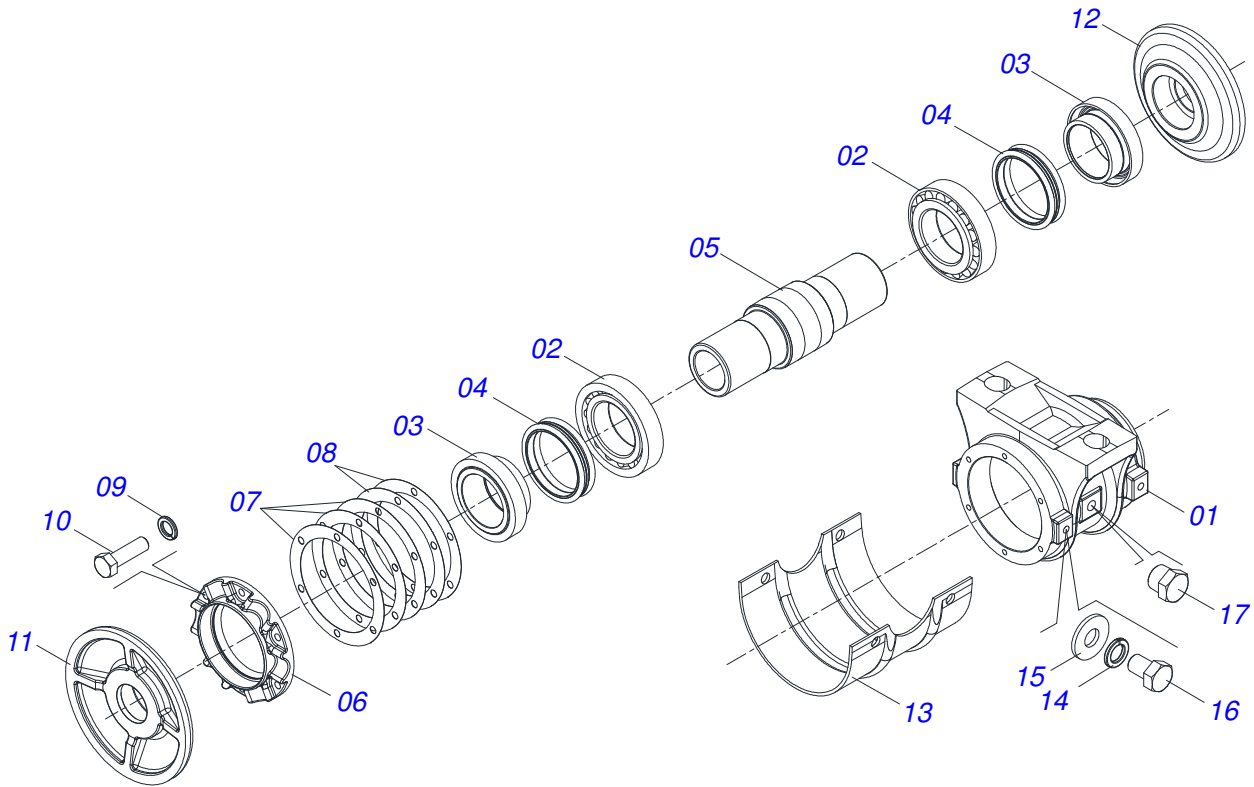
Item	Code	Description	QT
01	0501110738	CARRYING WHEEL HUB	01
01A	0502012260	CAIXA RODADO TRANSPORTE GCRO 2240	01
01B	0501010186	PARAFUSO ROD 5/8UNF X 2.1/8CR	08
01C	0503010064	5/8 UNF CONIC NUT	08
02	0503011156	ROLAMENTO 2780/2720 IMP	01
03	0503010008	ROLAMENTO 3780/37203	01
04	0503013314	RETENTOR 5166-GB 63,5 X 110 X 13 ARCA	01
05	0511012494	SPINDLE	01
06	0511012492	ARRUELA LISA 28 X 46 X 6,30	01
07	0503030009	1" CASTLE NUT	01
08	0503010018	5/32 X 1-1/2 COTTERPIN	01
09	0502020591	PROTECCION COVER	01
10	0503011444	SPRING WASHER	04
11	0503010358	5/16" X 5/8" BOLT	04
12	0503010002	1800 GREASE FITTING	01



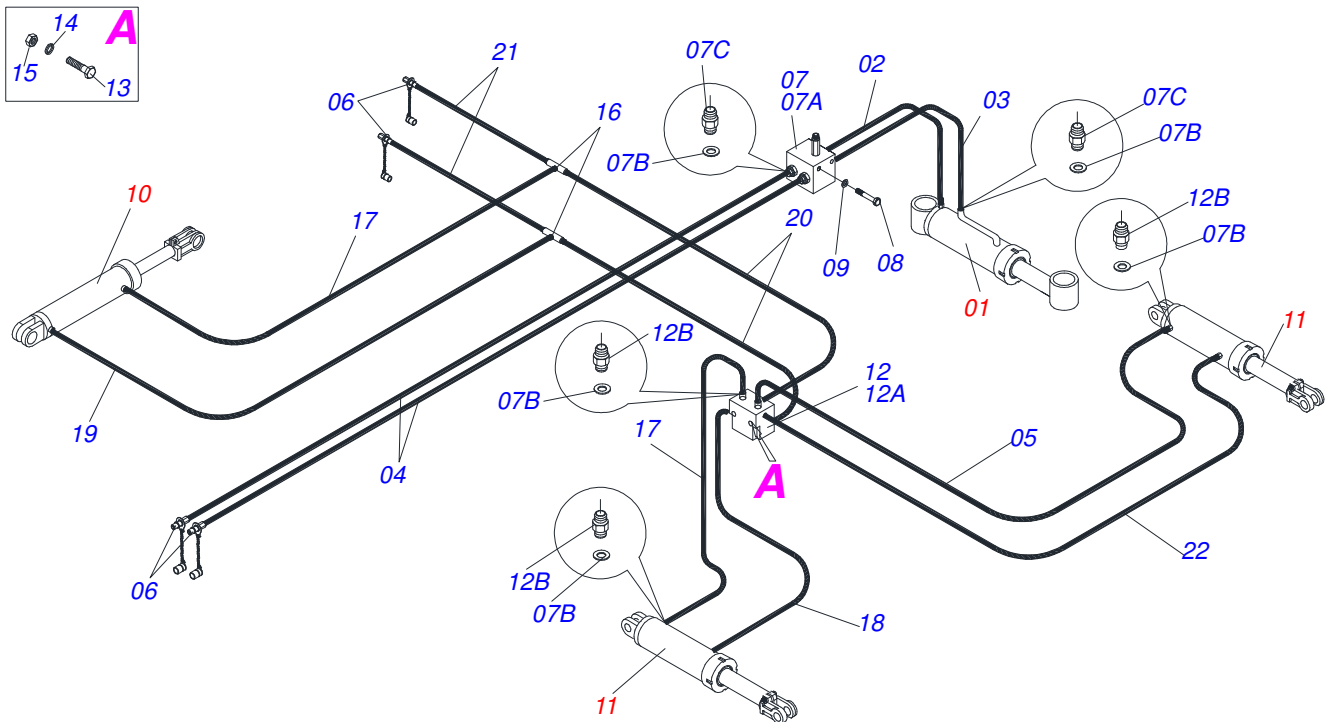
Item	Code	Description	QT
01	0511065948	OUTER BODY DRAWBAR JACK	01
02	0531017603	JACK SPINDLE	01
03	0503013092	51305 BEARING	01
04	0511064234	20Z DRIVER GEAR	01
05	0503010561	SPRING PIN	02
06	0503011410	ROLLER BEARING	01
07	0503011105	SEAL RING	01
08	0511064235	JACK CRANK	01
09	0511064233	10Z DRIVER GEAR	01
10	0511064236	JACK INNER BODY	01
11	0531017602	PROTECTION COVER GEAR	01
12	0503011312	ROTATIVE CABLE	01



Item	Code	Description	30	32	34	40
00	0511042122	2-1/8" X 63" AXLE WITH NUTS	06	04	04	08
00A	0511042123	2-1/8" X 76" AXLE WITH NUTS	00	02	00	00
00B	0511042124	2-1/8" X 90" AXLE WITH NUTS	00	00	02	00
01	0541010202	2-1/8" X 63" AXLE	06	04	04	08
02	0541010203	2-1/8" X 76" AXLE	00	02	00	00
03	0541010204	2-1/8" X 90" AXLE	00	00	02	00
04	0502040063	2.1/8" X 54 99 NUT	12	12	12	16
05	0502010594	2-1/8" EXTERNAL AXLE WASHER	06	06	06	08
06	0602040001	30" X 0.3" NOTCHED DISC BLADE	30	32	34	40
07	0602044001	32" X 0.3" NOTCHED DISC BLADE	30	32	34	40
08	0602044003	32" X 0.5" NOTCHED DISC BLADE	00	00	00	40
09	0501046926	330MM X 2-1/8" RD. OIL BATH BEARING	12	12	12	16
10	0501042139	1" X 4.3" ASSY BOLT	24	24	24	32
10A	0501010952	1" X 4.3" BOLT	24	24	24	32
10B	0501010951	1" SQUARE WASHER	24	24	24	32
10C	0501010065	1" SPRING WASHER	24	24	24	32
10D	0501010059	1.5/8 NUT	48	48	48	64
11	0502010643	13" 2-1/8" SPACER	12	14	16	16
12	0502010595	2-1/8" INNER AXLE WASHER	06	06	06	08
13	0541010368	NUT LOCK	12	12	12	16
14	0503010232	5/8" X 1.3/4" BOLT	24	24	24	32
15	0503010027	SPRING WASHER	24	24	24	32
16	0501012140	FLAT WASHER	24	24	24	32
17	0503010013	5/8" NUT	24	24	24	24



Item	Code	Description	QT
001	0502010742	HOUSING DM	01
002	0503010117	32216 ROLLER BEARING	02
003	0502040123	SEAL RETAINER	02
004	0503030028	JB-257 SEAL	02
005	0502040034	BEARING AXLE	01
006	0502010645	HOUSING CAP DM	01
007	0503030536	7.1" X 5.5" X 0.01" JOINT	03
008	0503030686	7.1" X 5.5" X 0.004" JOINT	02
009	0503011443	SPRING WASHER	06
010	0503010751	C3/8" X 1.1/4" HEX BOLT G.5	06
011	0502040260	OUTER FLANGE	01
012	0502040261	INNER FLANGE	01
013	0511013169	PROTECTION COVER BEARING	01
014	0503010019	1/2" SPRING WASHER	04
015	0511017302	FLAT WASHER	04
016	0503011401	1/2" X 3/4" BOLT	04
017	0503010856	OIL PLUG	02



Item	Code	Description	QT
01	0501048041	2.0" X 5" X 35" X 24" HYDRAULIC CYLINDER	01
02	0501080123	1/2" X 31" TR-TC HOSE ASSY	01
03	0501080122	1/2" X 35" TR-TC HOSE ASSY	01
04	0501080005	1/2" X 216" TR-TM HOSE ASSY	02
05	0501080605	3/8" X 160" TR-TC HOSE ASSY	01
06	0503011627	QUICK CONNECTION (MALE) AGR 1/2 NPT	04
07	0501042903	DISCHARGE VALVE ASSY	01
07A	0503010919	DISCHARGE VALVE	01
07B	0503010190	2-114 N 3006-9B O'RING	10
07C	0501011460	7/8 NF REDUCTION NIPPLE	04
08	0503010237	3/8" X 1" BOLT	02
09	0503010025	3/8 SPRING WASHER	02
10	0511040697	1.7" X 3.4" X 20" X 8" HYDRAULIC CYLINDER	01
11	0501048744	2.0" X 4" X 31" X 15" HYDRAULIC CYLINDER	02
12	0501052389	FLOW DIVIDING VALVE ASSY	01
12A	0503012172	1.97"-1.97" FLOW DIVIDING VALVE	01
12B	0501010617	3/4" NIPPLE	06
13	0503010373	1/4" X 2" BOLT	02
14	0503010143	SPRING WASHER	02
15	0503010144	1/4" NUT	02
16	0503011271	3/4" UNF "T" CONNECTION T 3 SIDES	02
17	0501080054	3/8" X 17" TR-TC HOSE ASSY	02
18	0501080191	3/8" X 18" TC-TC HOSE ASSY	01
19	0501080406	3/8" X 23" TR-TC HOSE ASSY	01
20	0501080431	TR-TC HOSE ASSY	02
21	0501080405	3/8" X 170" TR-TM HOSE ASSY	02
22	0501080578	TC-TC HOSE ASSY	01

ANNOTATIONS

Lined area for annotations, consisting of a large rectangular box with rounded corners and horizontal lines for writing.



email: civemasa@civemasa.com.br

www.civemasa.com.br

Phone: +55 16.3382.8222

Fax: +55 16.3382.8355

MARCHESAN IMPLEMENTOS E MÁQUINAS AGRÍCOLAS "TATU" S.A.

Av. Marchesan, 1979 - Post Office box, 131 - Cep 15994-900 - Matão - Sp - Brasil

CNPJ 52.311.289/0001-63 | Inst. Est.441.000.151.114

Technical Publications: Elaboration

MARINA PEREZ NIZA

Technical Publications: Revision

ALESSANDRA PATRICIA KAWAHARA CARRILI

Contact Catálogo:

E-mail = jgaspari@marchesan.com.br

ORIGINAIS PARTS
CIVEMASA