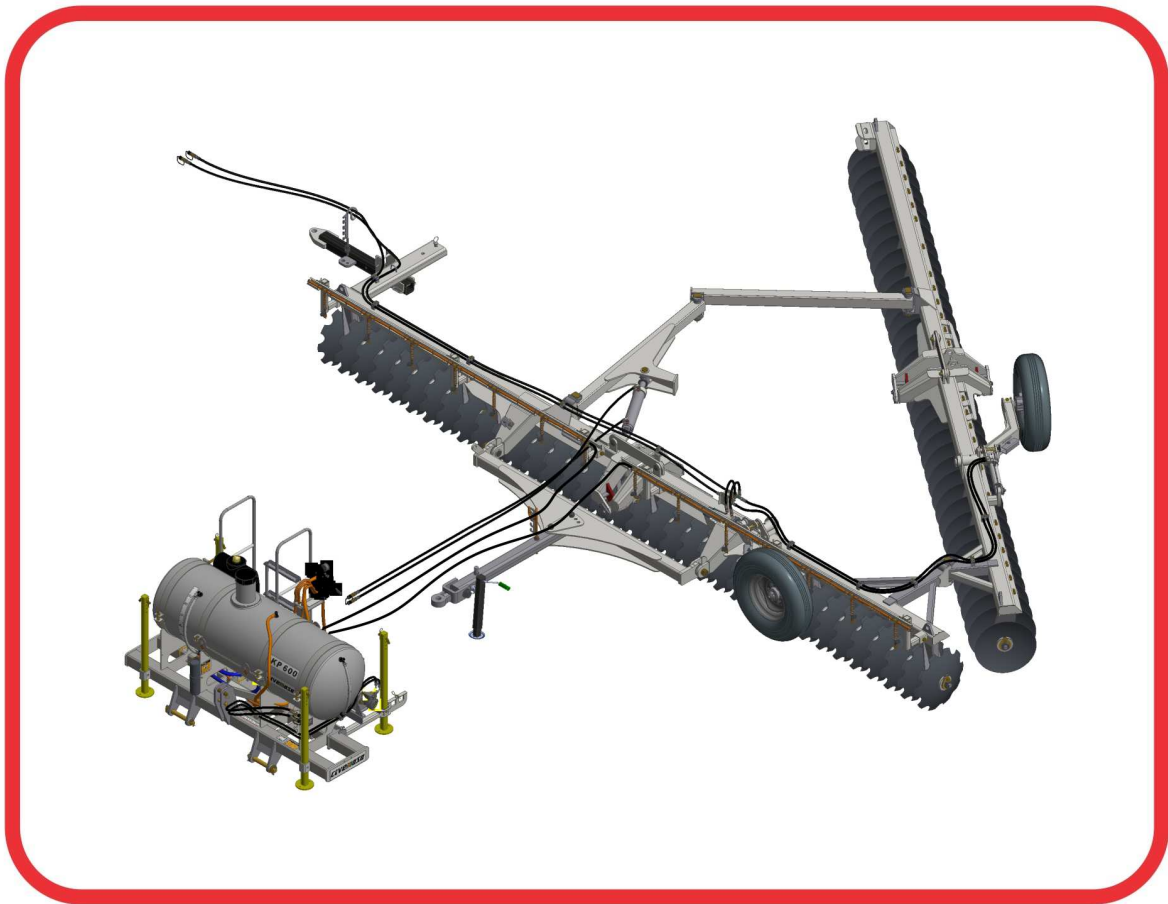


PARTS CATALOGUE

DISK HARROWS

GDFM 72D WITH PULVERIZER KIT KP600

Code: 0501092169



Series: S-0118

Review: MARÇO/2018

ORIGINAL PARTS
CIVEMASA

civemasa

PRODUCTS

Code

0120660093

Description

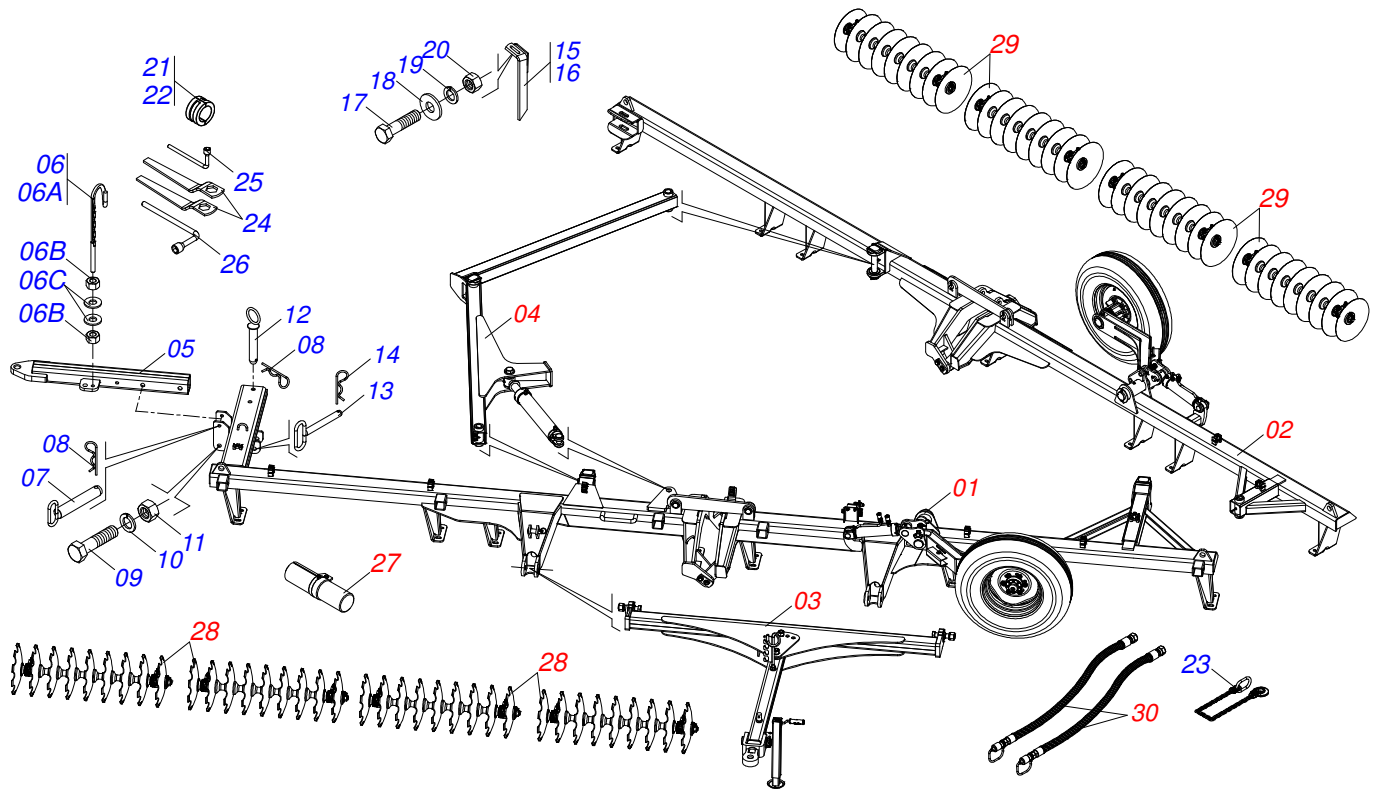
GDFM 72 X 22 X 4,50 DM PA MT T600 S-0118

ATTENTION: *IMPORTANT*

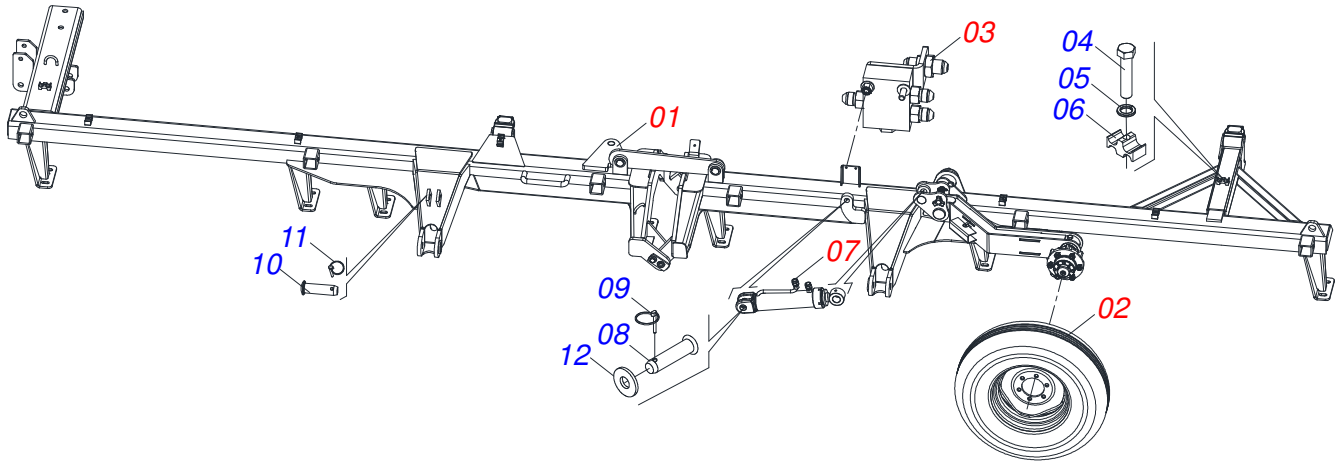
CIVEMASA RESERVES THE RIGHT AT ANY TIME TO MAKE IMPROVEMENTS IN THE DESIGN, MATERIAL OR SPECIFICATIONS OF MACHINERY, EQUIPMENT OR PARTS WITHOUT THEREBY BECOMING LIABLE TO MAKE SIMILAR CHANGES IN MACHINERY, EQUIPMENT OR PARTS PREVIOUSLY SOLD.

INDEX

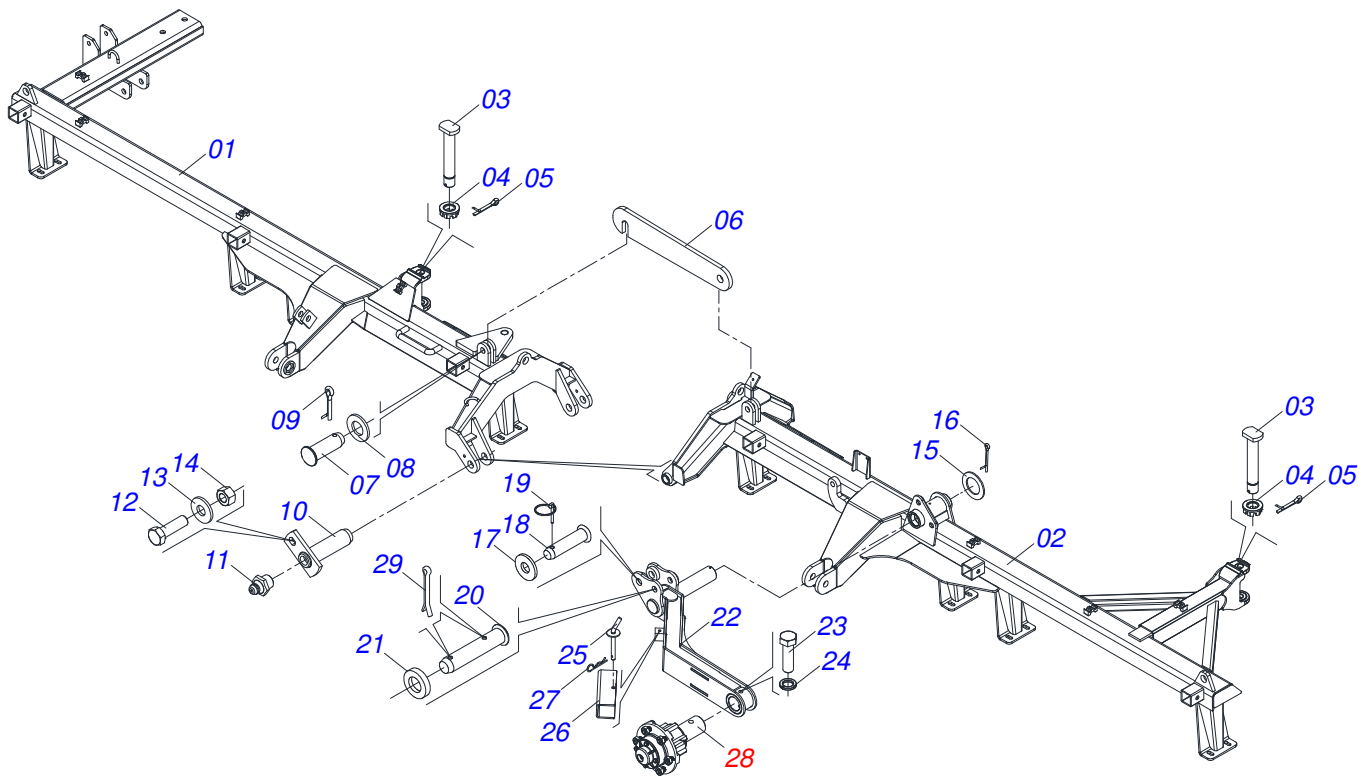
0909093780	ASSY - GDFM 72D WITH PULVERIZER KIT KP600	1
0909093779	ASSY FRONT FRAME	2
0521052203	FRONT FRAME SEMI MOUNTED	3
0521052217	ASSY CUBE	4
0503060091	L29.5"X0.63"-10L WHEEL AND	5
0521052233	VALVE KIT	6
0511058421	38,10 X 63,50 X 405 X 170 HYDRAULIC CYLINDER	7
0909093781	ASSY REAR FRAME	8
0521052202	REAR FRAME	9
0909093782	ASSY DRAWBAR	10
0521044870	DRAWBAR ASSY	11
0503062157	HEADER JACK	12
0909093783	ASSY OPENING	13
0511058461	HYDRAULIC CYLINDER	14
0521051708	ASSY MANUAL DOOR	15
0909093786	FRONT DISC SECTION	16
0909093787	REAR DISC SECTION	17
0501047055	BEARING	18
0909093784	GDFM 72D HYDRAULIC CIRCUIT	19
0501053834	QUICK CONECTION (MALE) 1/2	20
0521047844	600L 14L E500 SPRAY KIT	(OPTIONAL)	21
0521052221	ASSY FRAME	(OPTIONAL)	22
0521052215	SEMI-ASSY FRAME	(OPTIONAL)	23
0521051123	PLOUGH SUPPORT ASSY	(OPTIONAL)	24
0521052220	600L SPRAYING SYSTEM	(OPTIONAL)	25
0521052219	ASSY TANK 600L	(OPTIONAL)	26
0521052216	COMMAND WITH SUPPORT	(OPTIONAL)	27
0521052218	PUMP WITH HYDRAULIC MOTOR	(OPTIONAL)	28
0521052264	WATER RESERVOIR 20L COMPLETE ANATOMICO	(OPTIONAL)	29
0521052257	ASSY PLATFORM	(OPTIONAL)	30
0521052205	MOUNTED RIGHT TROUGH	(OPTIONAL)	31
0521052199	LEFT MOUNTED TROUGH	(OPTIONAL)	32
0521052198	MORE PENDANT	(OPTIONAL)	33
0521052197	SMALLER PENDANT	(OPTIONAL)	34
0521052196	SUPPORT FIXE	(OPTIONAL)	35



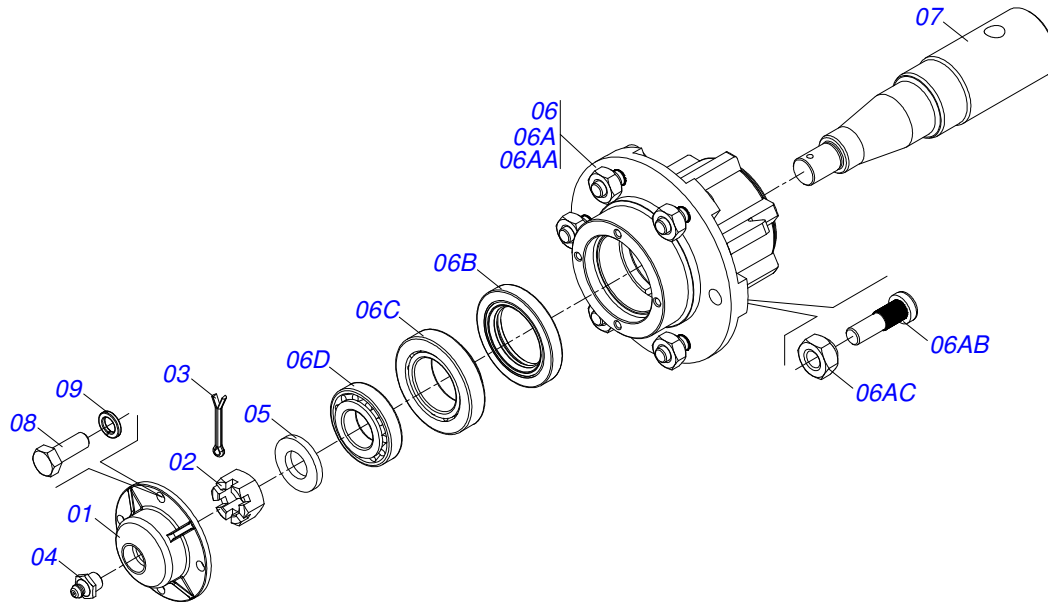
Item	Code	Description	QT
01	0909093779	ASSY FRONT FRAME	01
02	0909093781	ASSY REAR FRAME	01
03	0909093782	ASSY DRAWBAR	01
04	0909093783	ASSY OPENING	01
05	0521067573	1000 GNFM TRANSPORT BAR	01
06	0521052223	3/4 X 700 GDFM HOSE SUPPORT	02
06A	0521068388	HOSE SUPPORT	01
06B	0503010014	3/4" NUT	02
06C	0501010322	FLAT WASHER	02
07	0521064088	LOCK AXLE	01
08	0503030012	HAIR PIN	02
09	0501010334	1" X 7" BOLT	01
10	0503010012	1" SPRING WASHER	01
11	0501010059	1.5/8 NUT	01
12	0521064090	COUPLING SHAFT	01
13	0521067644	JUNCTION SHAFT	01
14	0503031035	HAIR PIN	01
15	0501063963	FRONT SCRAPER	27
16	0501063962	REAR SCRAPER	27
17	0503011082	C1/2" X 1.3/4" BOLT	108
18	0511017302	FLAT WASHER	108
19	0503010019	1/2" SPRING WASHER	108
20	0503010060	1/2" NUT	108
21	0501047895	ROD STOP	06
22	0501047885	ROD STOP	04
23	0503013150	1300 X 3/8 CHAIN	01
24	0501011432	1-1/2" AND 1-5/8 GANG BOLT WRENCH	02
25	0501061617	1" GANG BOLT WRENCH	01
26	0501068273	5/8" WRENCH	01
27	0521051708	ASSY MANUAL DOOR	01
28	0909093786	FRONT DISC SECTION	01
29	0909093787	REAR DISC SECTION	01
30	0909093784	GDFM 72D HYDRAULIC CIRCUIT	01



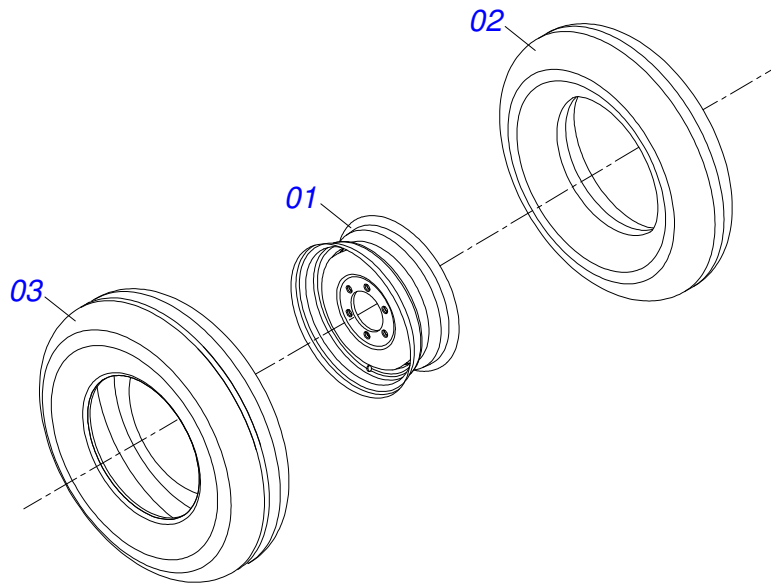
Item	Code	Description	QT
01	0521052203	FRONT FRAME SEMI MOUNTED	01
02	0503060091	L29.5"X0.63"-10L WHEEL AND	01
03	0521052233	VALVE KIT	01
04	0503012555	7/16" X 2" BOLT	08
05	0503010180	7/16" SPRING WASHER	08
06	0502012702	BODY SUPPORT CLAMP	08
07	0511058421	38,10 X 63,50 X 405 X 170 HYDRAULIC CYLINDER	01
08	0521010546	1.2" X 5.7" COUPLING SHAFT	01
09	0503030119	LOCK PIN	01
10	0501019002	JUNCTION SHAFT	01
11	0503030085	LOCK PIN	01
12	0531010713	FLAT WASHER	01



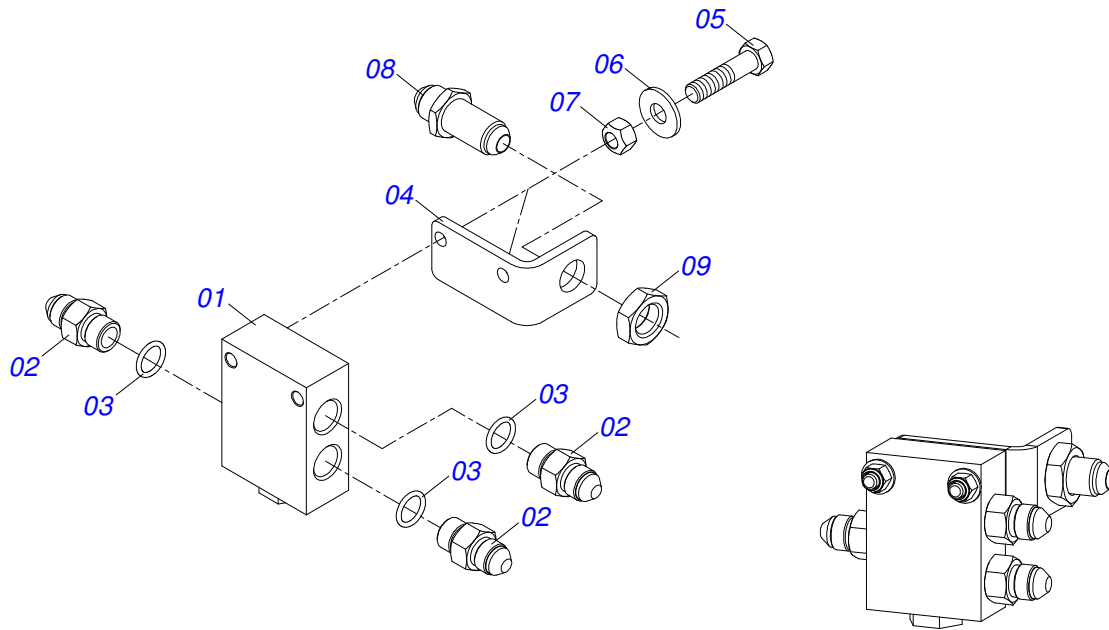
Item	Code	Description	QT
01	0521068387	RIGHT FRONT FRAME	01
02	0521068384	LEFT FRONT FRAME	01
03	0531019497	1.5" X 9.2" PIVOT SHAFT	02
04	0501011301	1.1/2 UNC 6FPP 2.5/16 NUT	02
05	0503010010	1/4" X 2.1/2" COTTERPIN	02
06	0501018941	TRANSPORT LOCK	01
07	0521010592	1.1" X 3.1" COUPLING SHAFT	02
08	0511017480	FLAT WASHER	02
09	0503010571	1/4" X 1.1/2" COTTERPIN	03
10	0501063751	1.5" X 5.5" PIVOT SHAFT	02
11	0503010002	1800 GREASE FITTING	03
12	0501010100	5/8 UNC X 2 C S G.5 BOLT	02
13	0501012140	FLAT WASHER	02
14	0503010013	5/8" NUT	01
15	0501017579	FLAT WASHER	01
16	0503011345	1/4" X 3-1/2" COTTERPIN	01
17	0531010713	FLAT WASHER	01
18	0521010546	1.2" X 5.7" COUPLING SHAFT	01
19	0503030119	LOCK PIN	01
20	0581016522	25 X 155 AXLE	01
21	0511818667	FLAT WASHER	01
22	0521068372	WHEELED ARM	01
23	0503017857	BOLT 5/8 UNF 4	01
24	0503010027	SPRING WASHER	01
25	0501068994	0.3" X 3.1" LOCK PIN	01
26	0581016145	LOCKS TRANSPORT	01
27	0503030168	HAIR PIN	01
28	0521052217	ASSY CUBE	01
29	0503010131	3/16" X 1-1/2" COTTERPIN	01



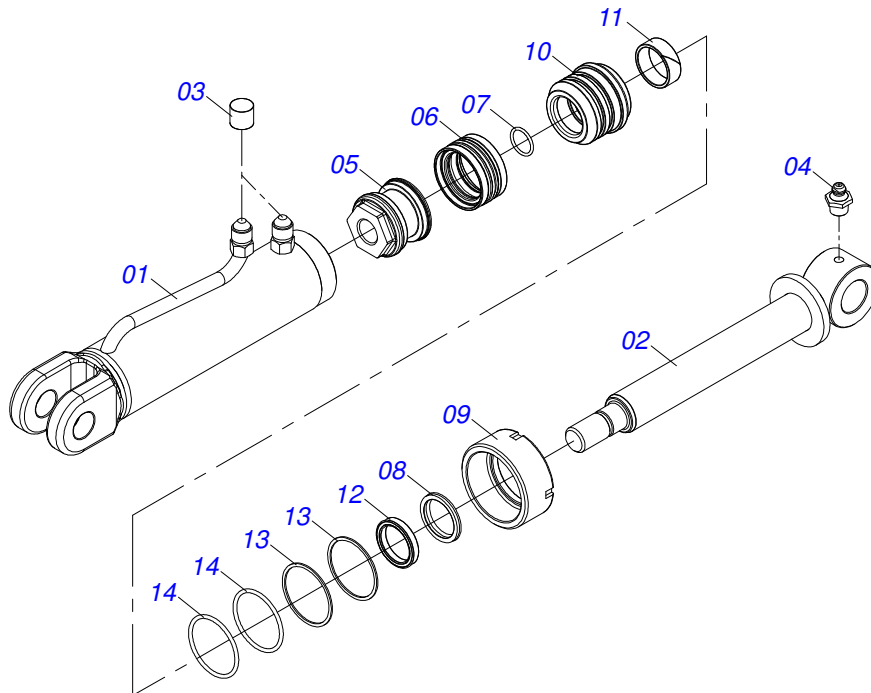
Item	Code	Description	QT
01	0502020591	PROTECCION COVER	01
02	0503030009	1" CASTLE NUT	01
03	0503010018	5/32 X 1-1/2 COTTERPIN	01
04	0503010002	1800 GREASE FITTING	01
05	0501016545	FLAT WASHER	01
06	0501051142	CARRYING WHEEL HUB	01
06A	0501110728	WHEEL HUB	01
06AA	0502011121	CARRYING WHEEL HUB	01
06AB	0501010127	9/16" X 1-7/8" LUG BOLT	06
06AC	0503010035	9/16" CONIC NUT	06
06B	0503010006	32210 ROLLER BEARING	01
06C	0503010037	30207 ROLLER BEARING	01
06D	0503012928	SEAL	01
07	0581016297	63,50 X 270 AXIS	01
08	0503010178	5/16" X 7/8" BOLT	04
09	0503010179	SPRING WASHER	04



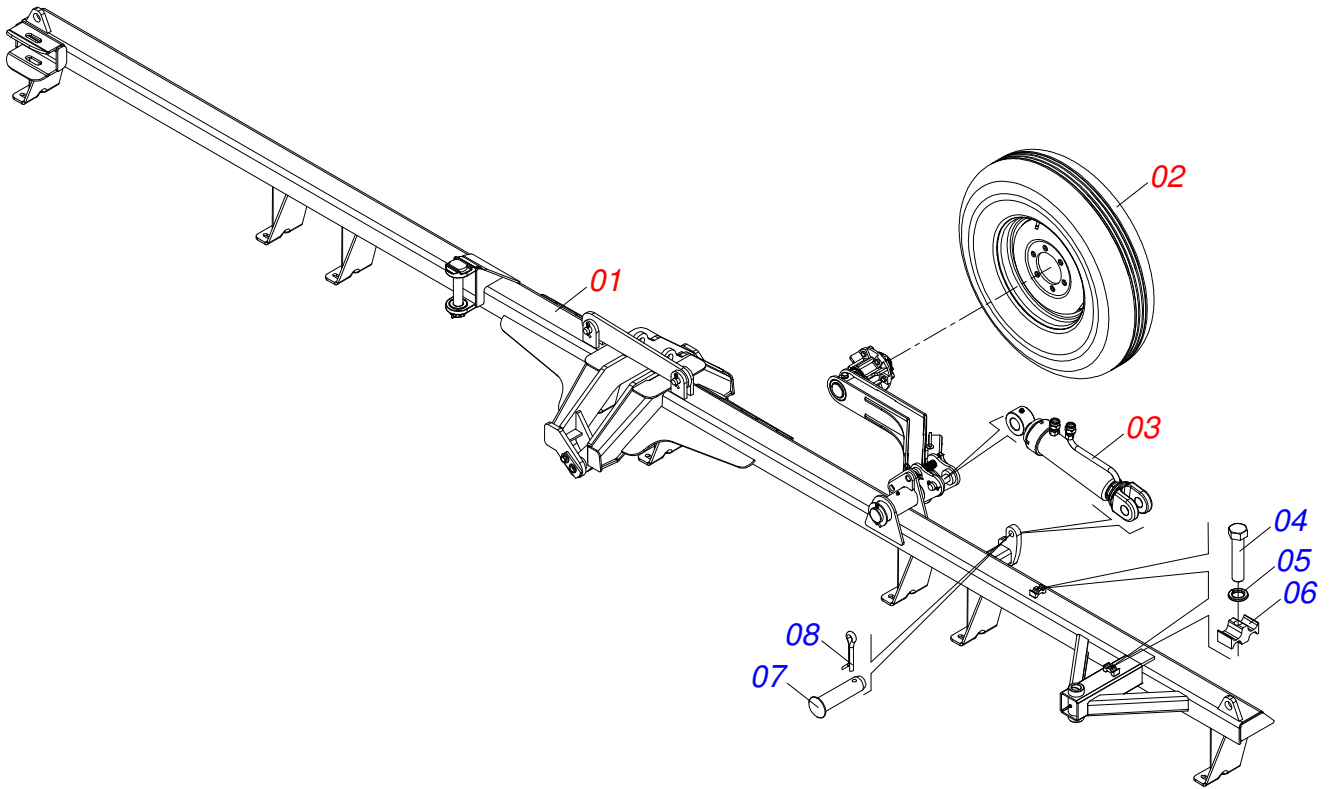
Item	Code	Description	QT
01	0503010893	WHEEL	01
02	0503010033	7.50 X 16 INNER TIRE	01
03	0503010120	CANVAS TIRE	01



Item	Code	Description	QT
001	0503012481	FLOW DIVIDING VALVE	01
002	0501010617	3/4" NIPPLE	03
003	0503010190	2-114 N 3006-9B O-RING	03
004	0581016273	SUPPORT	01
005	0503011766	5/16" X 2-1/2" BOLT	02
006	0501010694	FLAT WASHER	02
007	0503013759	NUT	02
008	0541012165	3/4" NIPPLE	01
009	0571018575	NUT - R.3/4" UNF 16FPP X 10	01

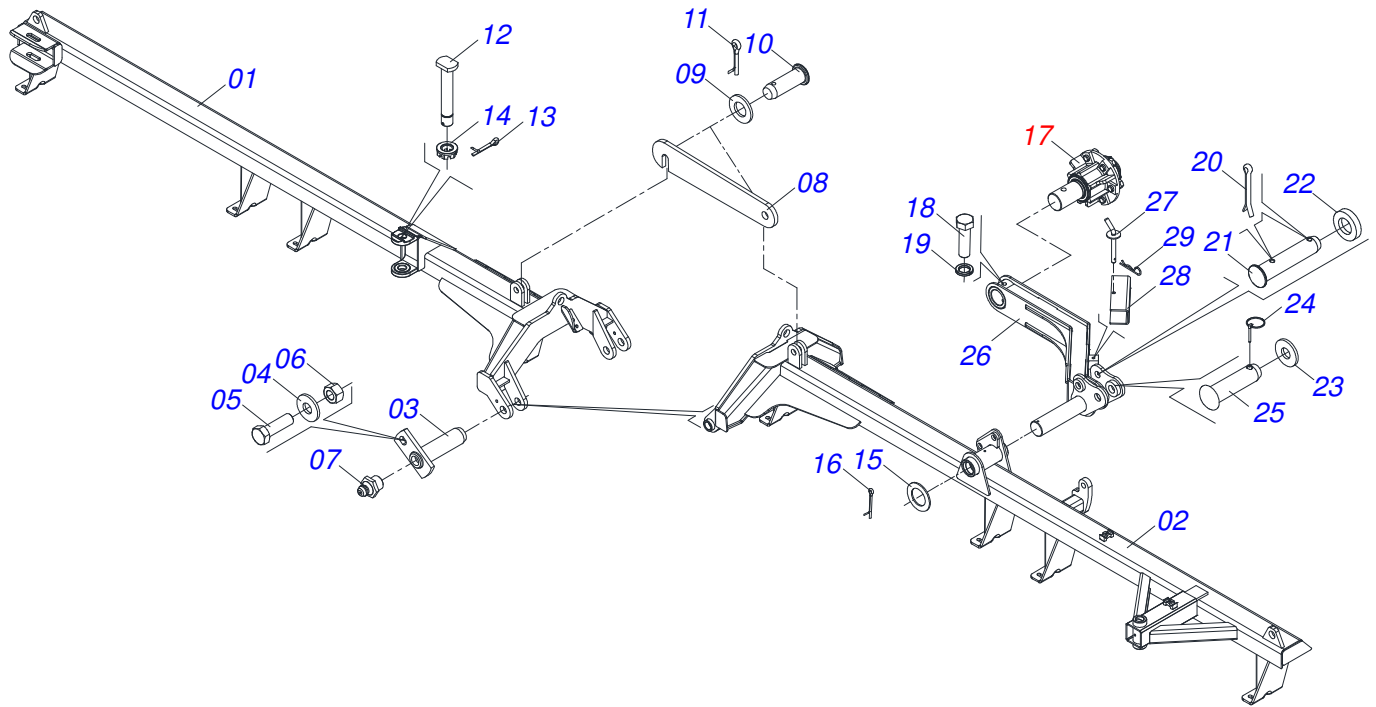


Item	Code	Description	QT
01	0501068493	2.5" X 10.7" CYLINDER CASE	01
02	0521066630	38,10 X 313 STEM	01
03	0503030385	PLUG	02
04	0503010002	1800 GREASE FITTING	01
05	0502012837	PISTON	01
06	0503018005	RING	01
07	0503011109	2-119 N 3006-9B O-RING	01
08	0503010163	D-1500 SCRAPER RING	01
09	0502010471	MOBILE COVER	01
10	0581010668	RING SUPPORT	01
11	0503018004	RING	01
12	0503018003	GASKET	01
13	0503018163	BACK-UP RING	02
14	0503018162	O-RING	02

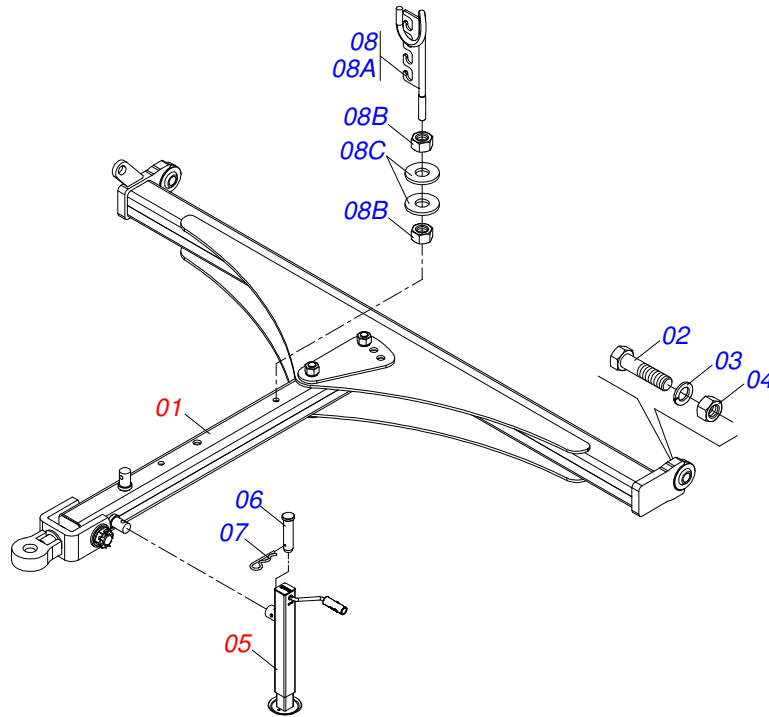


Item	Code	Description	QT
01	0521052202	REAR FRAME	01
02	0503060091	L29.5"X0.63"-10L WHEEL AND	01
03	0511058421	38,10 X 63,50 X 405 X 170 HYDRAULIC CYLINDER	01
04	0503012555	7/16" X 2" BOLT	02
05	0503010180	7/16" SPRING WASHER	02
06	0502012702	BODY SUPPORT CLAMP	02
07	0521010575	C0.9" X 3.3" COUPLING SHAFT	01
08	0503010571	1/4" X 1.1/2 COTTERPIN	01

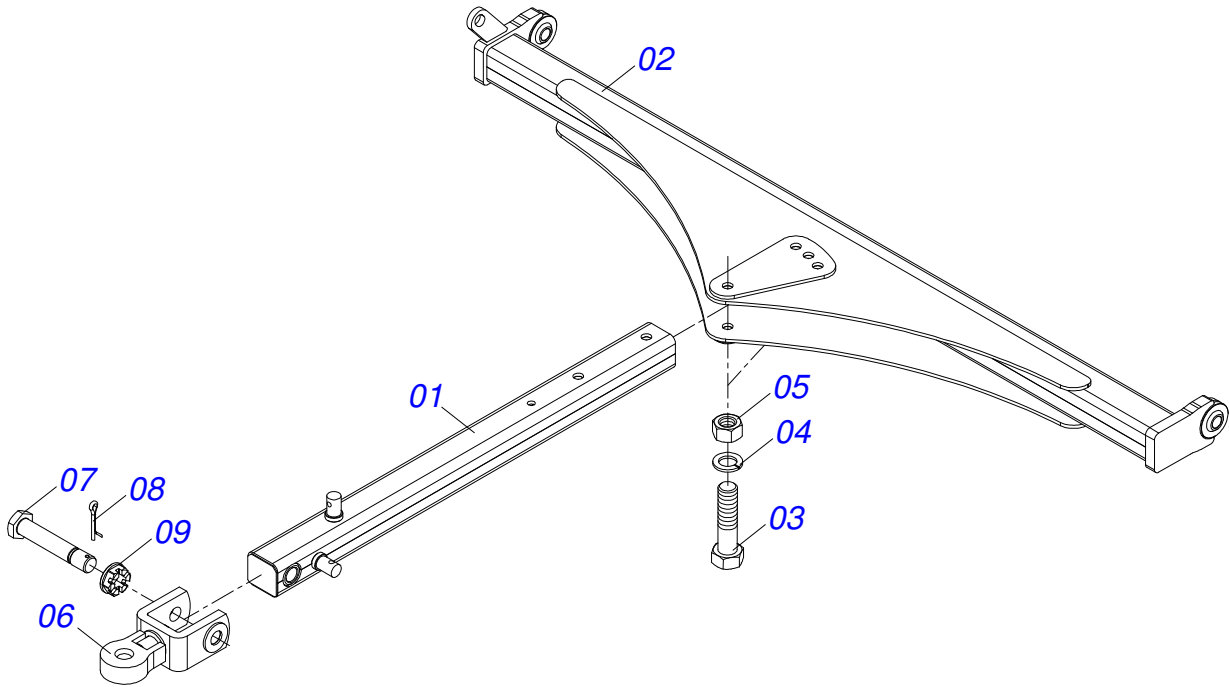
REAR FRAME



Item	Code	Description	QT
01	0521065471	RIGHT REAR FRAME	01
02	0521068374	LEFT REAR FRAME	01
03	0501063751	1.5" X 5.5" PIVOT SHAFT	02
04	0501012140	FLAT WASHER	02
05	0501010100	5/8 UNC X 2 C S G.5 BOLT	02
06	0503010013	5/8" NUT	02
07	0503010002	1800 GREASE FITTING	04
08	0501018941	TRANSPORT LOCK	01
09	0511017480	FLAT WASHER	02
10	0521010592	1.1" X 3.1" COUPLING SHAFT	02
11	0503010571	1/4" X 1.1/2" COTTERPIN	03
12	0531019497	1.5" X 9.2" PIVOT SHAFT	01
13	0503010010	1/4" X 2.1/2" COTTERPIN	01
14	0501011301	1.1/2 UNC 6FPP 2.5/16 NUT	01
15	0501017579	FLAT WASHER	01
16	0503011345	1/4" X 3-1/2" COTTERPIN	01
17	0521052217	ASSY CUBE	01
18	0503017857	BOLT 5/8 UNF 4	01
19	0503010027	SPRING WASHER	01
20	0503010131	3/16" X 1-1/2" COTTERPIN	01
21	0581016522	25 X 155 AXLE	01
22	0511818667	FLAT WASHER	01
23	0531010713	FLAT WASHER	01
24	0503010119	7/16" X 1-1/4" BOLT	01
25	0521010546	1.2" X 5.7" COUPLING SHAFT	01
26	0521068372	WHEELED ARM	01
27	0501068994	0.3" X 3.1" LOCK PIN	01
28	0581016145	LOCKS TRANSPORT	01
29	0503030168	HAIR PIN	01

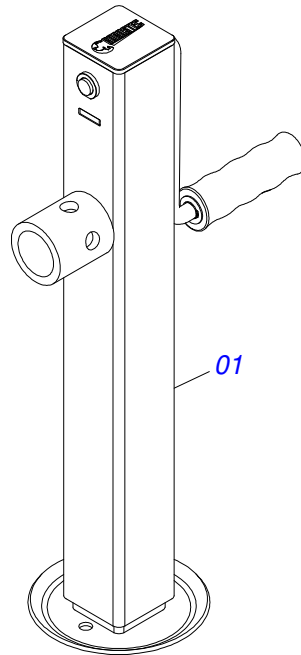


Item	Code	Description	QT
01	0521044870	DRAWBAR ASSY	01
02	0501010426	1-1/4" X 6" BOLT	02
03	0503010070	SPRING WASHER	02
04	0501010087	1.1/4" NUT	02
05	0503062157	HEADER JACK	01
06	0521010549	COUPLING SHAFT	01
07	0503030012	HAIR PIN	01
08	0521052223	3/4 X 700 GDFM HOSE SUPPORT	01
08A	0521068388	HOSE SUPPORT	01
08B	0503010014	3/4" NUT	02
08C	0501010322	FLAT WASHER	02

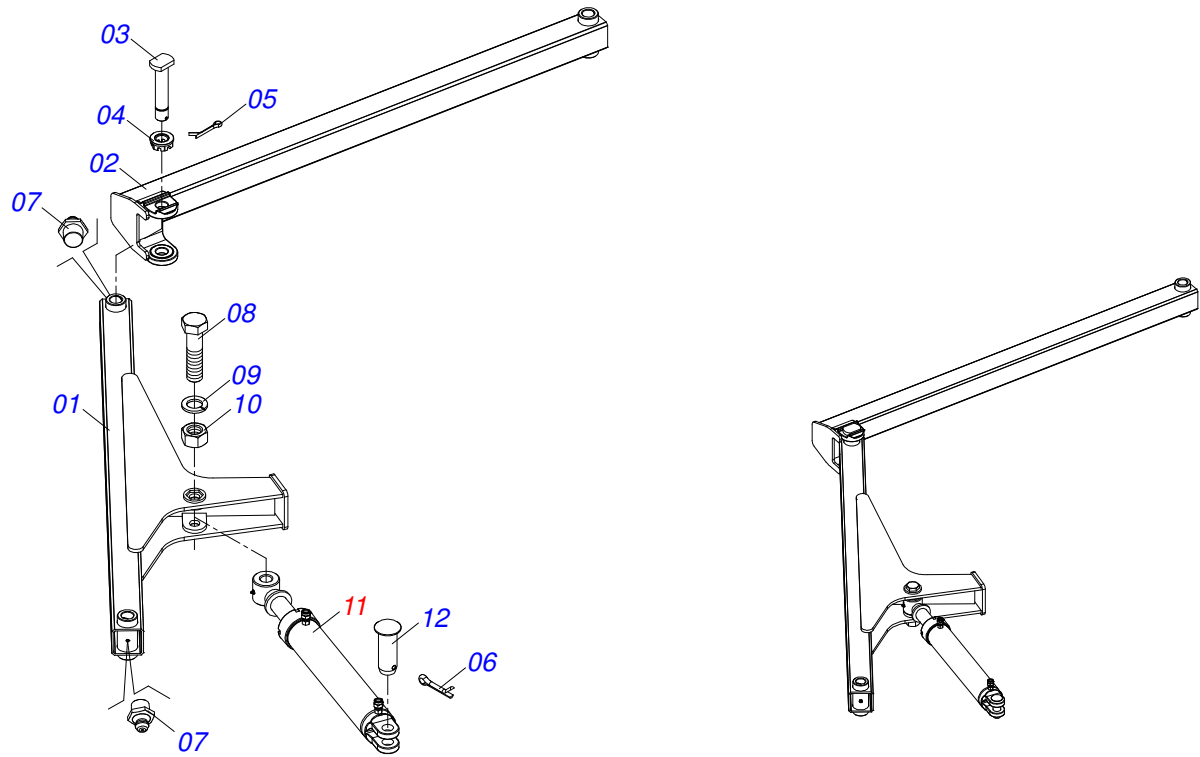


Item	Code	Description	QT
01	0521065405	OFFSET BAR	01
02	0501066715	DRAWBAR ASSY	01
03	0501010334	1" X 7" BOLT	01
04	0503011438	SPRING WASHER	01
05	0501010059	1.5/8 NUT	01
06	0501062869	TRACTOR HITCH	01
07	0501017291	1-1/2" X 8.1" BOLT	02
08	0503010010	1/4" X 2.1/2" COTTERPIN	01
09	0501011301	1.1/2 UNC 6FPP 2.5/16 NUT	01

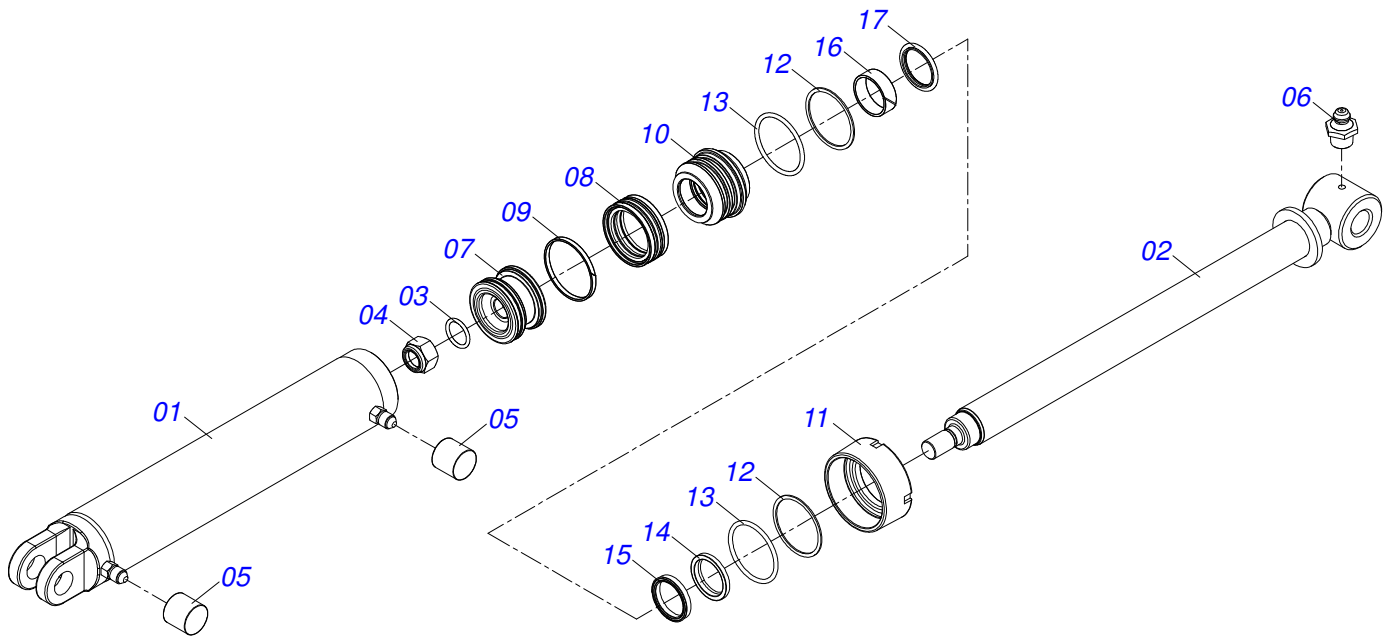
HEADER JACK



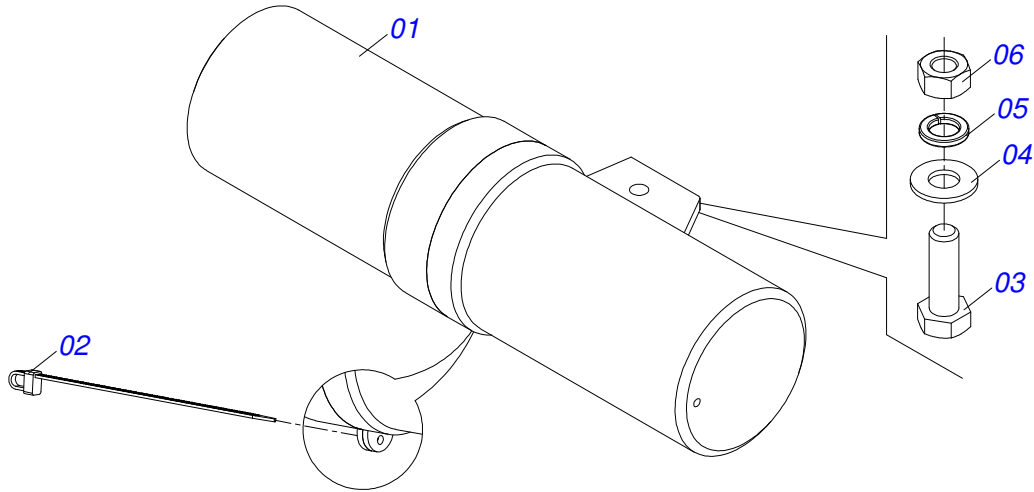
Item	Code	Description	QT
01	0503062157	HEADER JACK	01



Item	Code	Description	QT
01	0521065407	FRONT ESTAB BAR	01
02	0521065406	REAR STABILIZER BAR	01
03	0531019497	1.5" X 9.2" PIVOT SHAFT	01
04	0501011301	1.1/2 UNC 6FPP 2.5/16 NUT	01
05	0503010010	1/4" X 2.1/2" COTTERPIN	01
06	0503010523	1/4" X 2" COTTERPIN	01
07	0503010002	1800 GREASE FITTING	02
08	0501011106	1-1/4" X 7" BOLT	01
09	0503010070	SPRING WASHER	01
10	0501010087	1.1/4" NUT	01
11	0511058461	HYDRAULIC CYLINDER	01
12	0521012538	1.2" X 3.5" COUPLING SHAFT	01

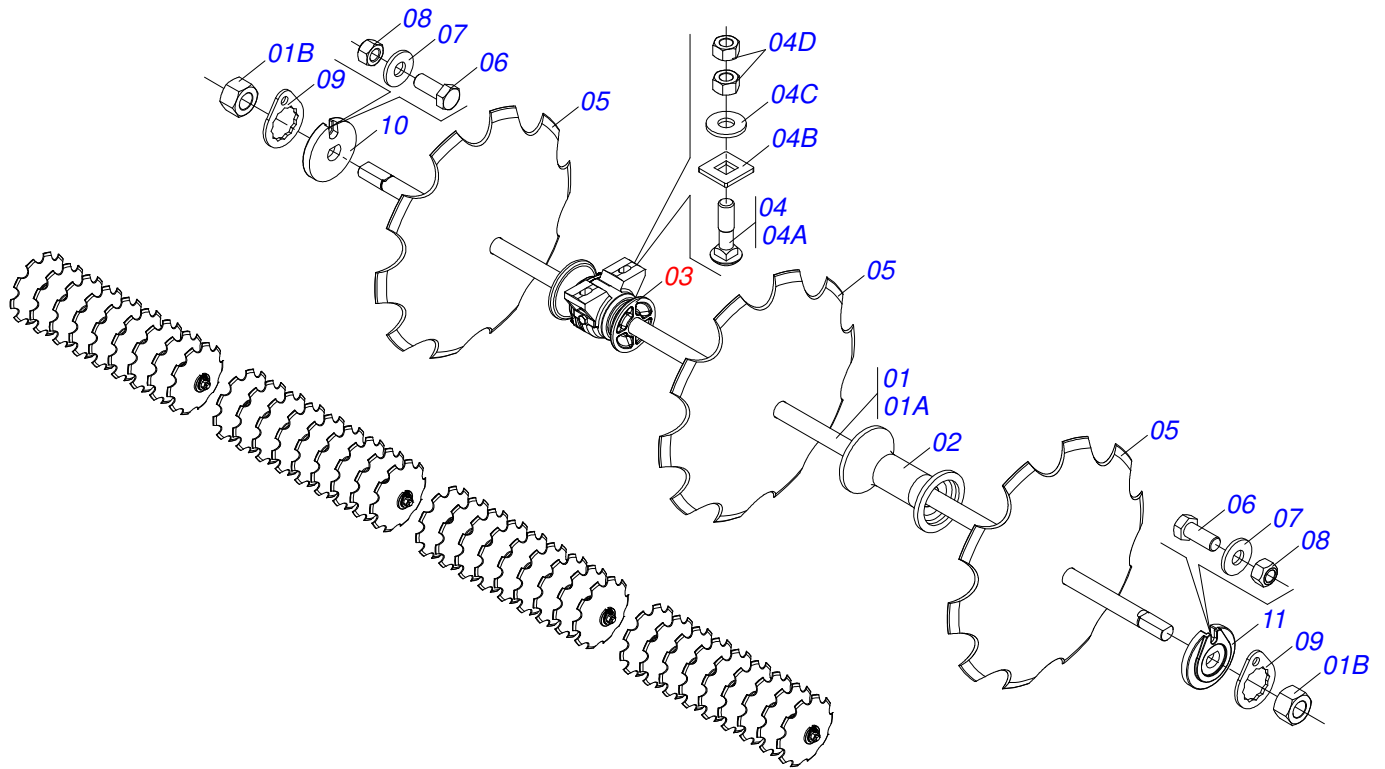


Item	Code	Description	QT
01	0521063982	CYLINDER CASE	01
02	0521067533	50,80 X 697 EXTENSOR	01
03	0503010042	2-214 N 3006-9B O'RING	01
04	0503010063	1" SELF-ALIGNING NUT	01
05	0503030385	PLUG	02
06	0503010002	1800 GREASE FITTING	01
07	0571019710	1.7" X 3.4" PISTON	01
08	0503017935	RING	01
09	0503018144	RING	01
10	0581013228	50,80 X 85,72 SUPPORT RINGS	01
11	0581013227	85,72 MOVEL COVER	01
12	0503017940	8-337 BACK-UP RING	02
13	0503017939	2-337 N 3006-9B O' RING	02
14	0503010039	D-2000 SCRAPER RING	01
15	0503018026	1870-2000-375 B GASKET	01
16	0503018025	RING GUIDE	01
17	0503018024	RING BS	01



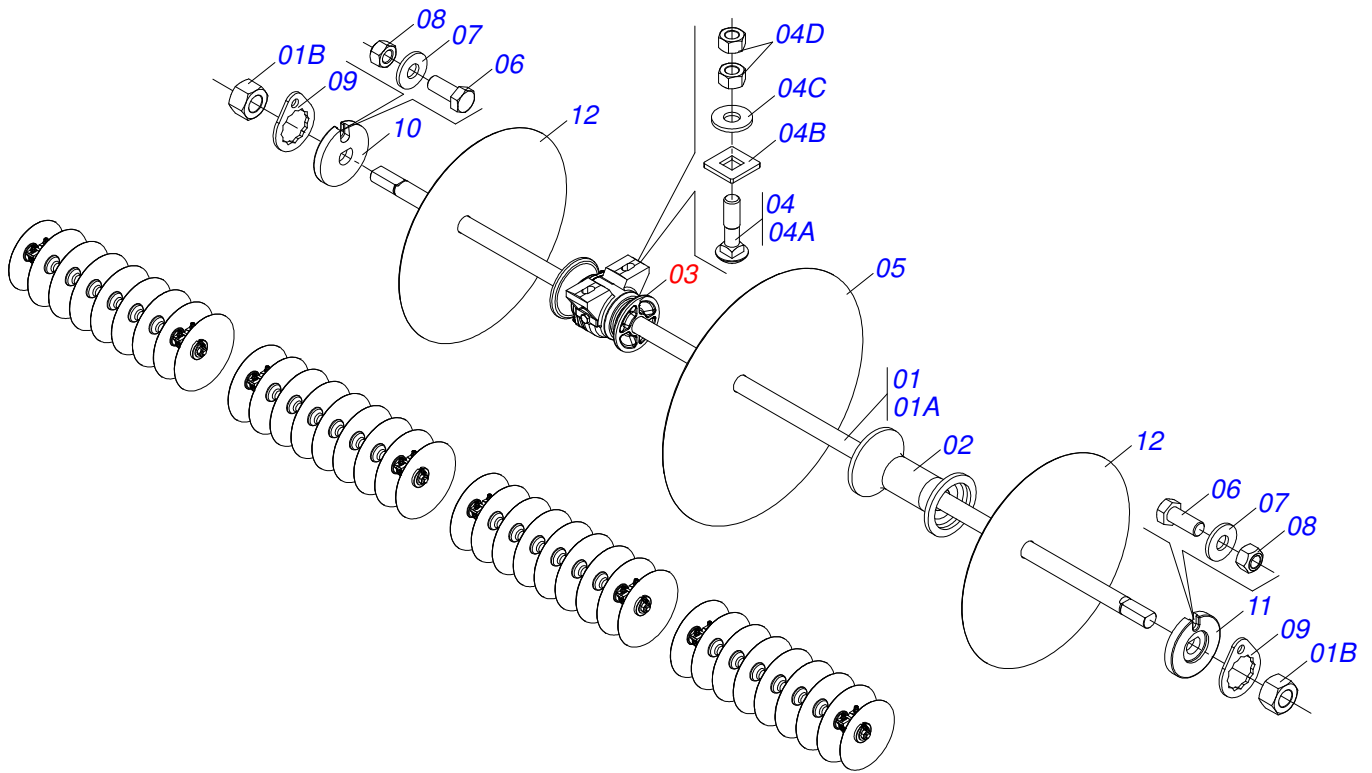
Item	Code	Description	QT
01	0503060100	HAND BOOK COMPARTMENT	01
02	0503010267	NYLON CLAMP	01
03	0503010363	5/16" X 1" BOLT	01
04	0501010694	FLAT WASHER	01
05	0503010179	SPRING WASHER	01
06	0503010337	5/16" NUT	01

FRONT DISC SECTION



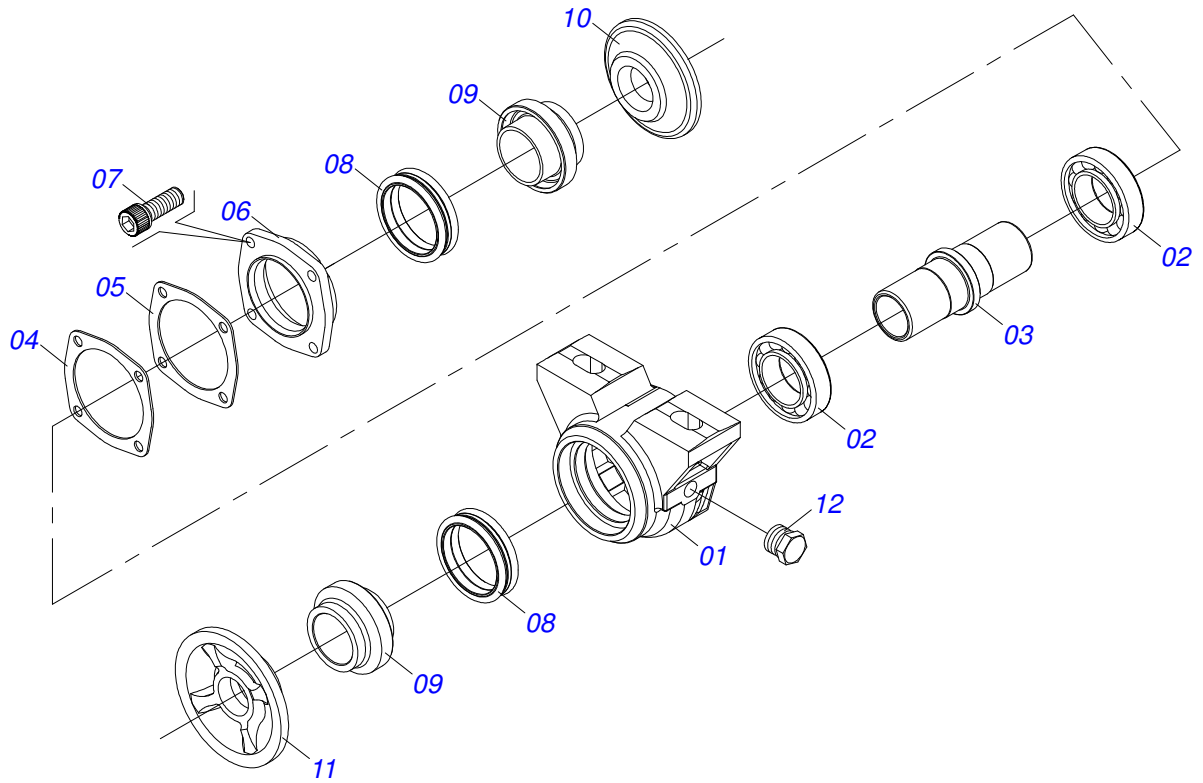
Item	Code	Description	QT
01	0501046884	1.1/2 X 1705 AXLE W/NUT	04
01A	0501018720	1.1/2 X 1705 AXLE	04
01B	0501010110	1.1/2" NUT	08
02	0502010627	SPACER	24
03	0501047055	BEARING	08
04	0501058802	5/8 UNC X 2.3/4 BOLT ASSY	16
04A	0503015154	5/8" X 2.3/4" BOLT	16
04B	0501010947	5/8 NUT LOCK	16
04C	0501012140	FLAT WASHER	16
04D	0503010013	5/8" NUT	32
05	0602029416	DR22X4,5 C64AF02FR1.9/16 10REC TATU	36
06	0503011267	5/8" X 1.1/2" BOLT	08
07	0503010027	SPRING WASHER	08
08	0503010013	5/8" NUT	08
09	0501018592	1.5/8" NUT LOCK	08
10	0502010872	1-1/2" INNER AXLE WASHER	04
11	0502010871	1-1/2" EXTERNAL AXLE WASHER	04

REAR DISC SECTION

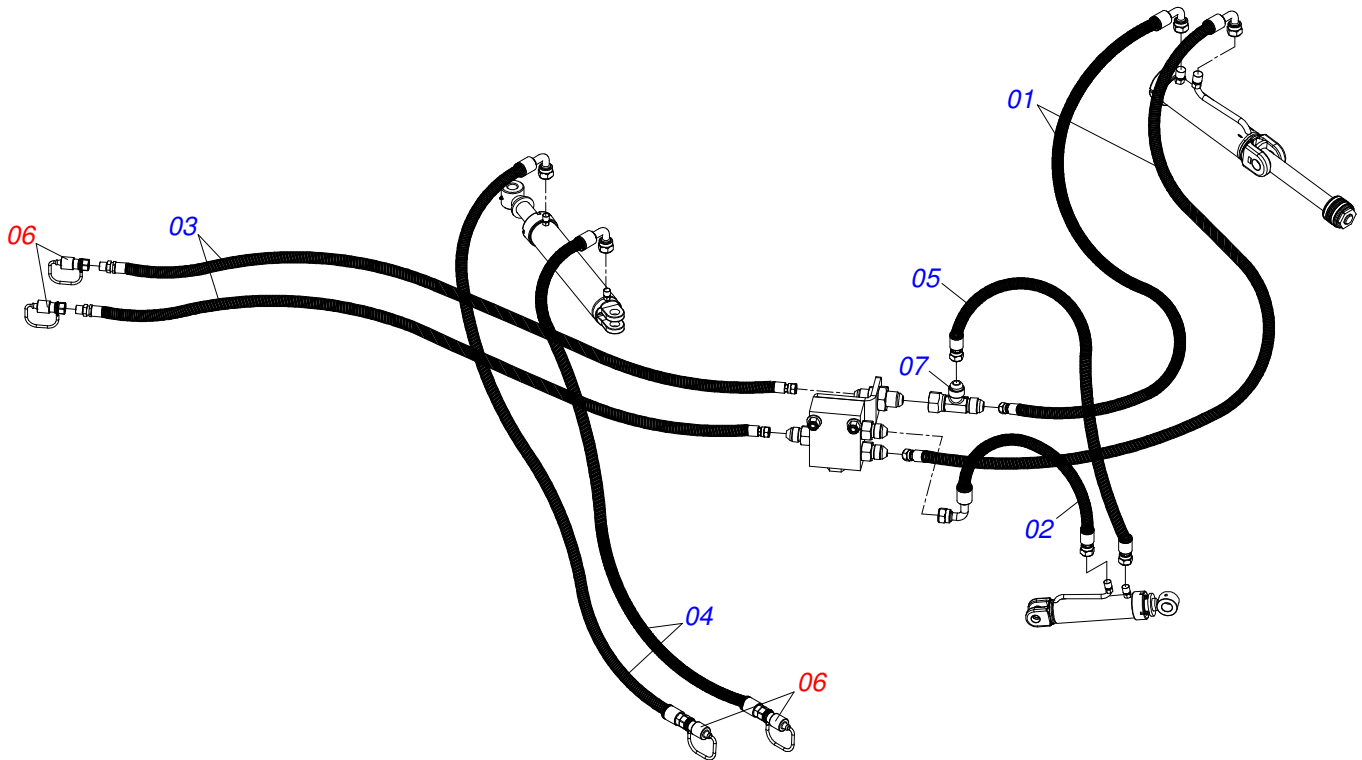


Item	Code	Description	QT
01	0501046884	1.1/2 X 1705 AXLE W/NUT	04
01A	0501018720	1.1/2 X 1705 AXLE	04
01B	0501010110	1.1/2" NUT	08
02	0502010627	SPACER	24
03	0501047055	BEARING	08
04	0501058802	5/8 UNC X 2.3/4 BOLT ASSY	16
04A	0503015154	5/8" X 2.3/4" BOLT	16
04B	0501010947	5/8 NUT LOCK	16
04C	0501012140	FLAT WASHER	16
04D	0503010013	5/8" NUT	32
05	0602029416	DR22X4,5 C64AF02FR1.9/16 10REC TATU	34
06	0503011267	5/8" X 1.1/2" BOLT	08
07	0503010027	SPRING WASHER	08
08	0503010013	5/8" NUT	08
09	0501018592	1.5/8" NUT LOCK	08
10	0502010871	1-1/2" EXTERNAL AXLE WASHER	04
11	0502010872	1-1/2" INNER AXLE WASHER	04
12	0601027299	DL20X4,5 C57AF02FR1.9/16 TATU	02

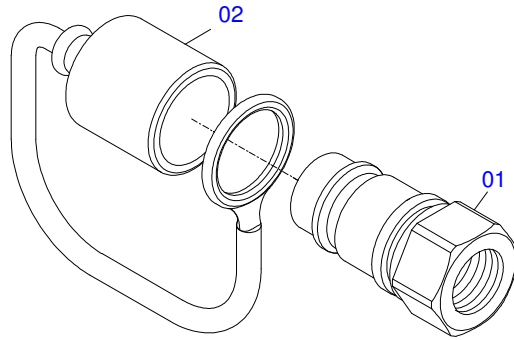
BEARING



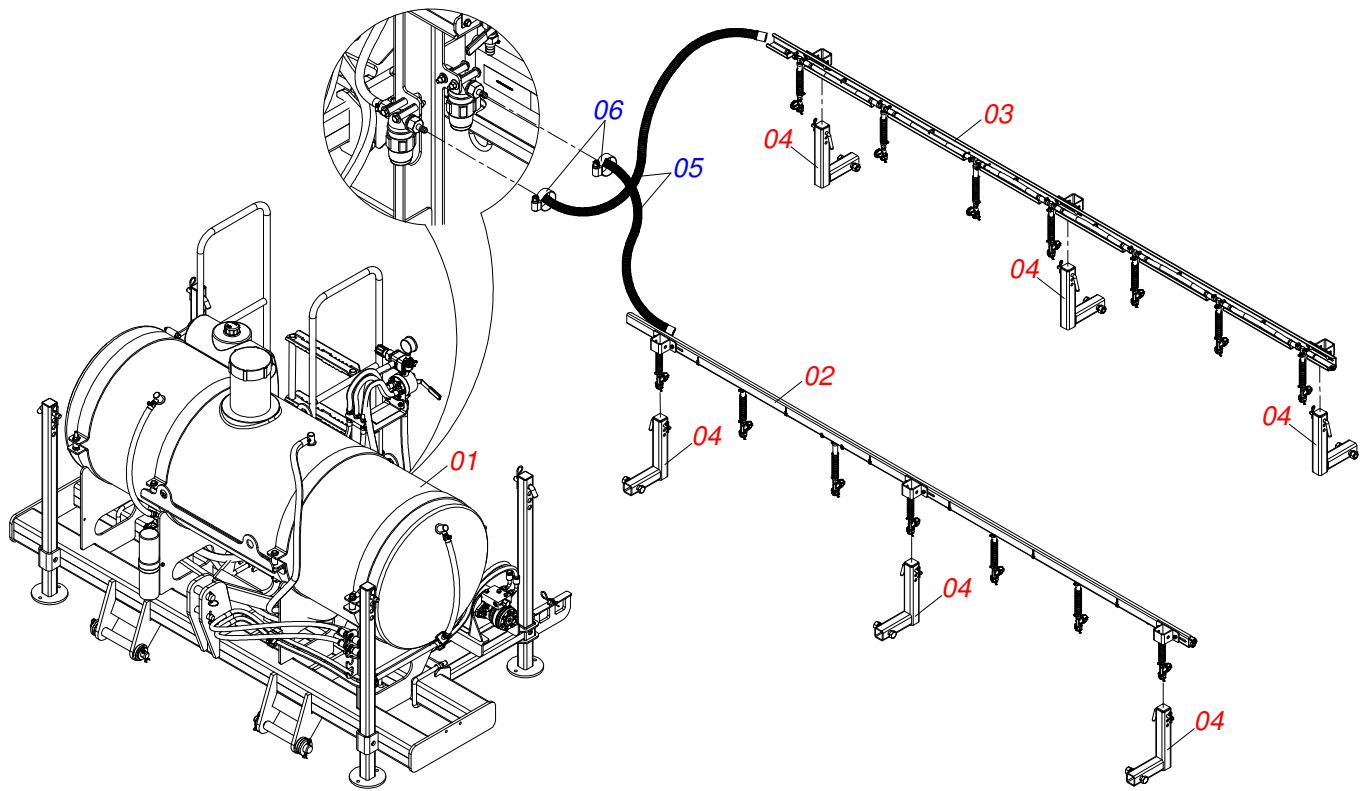
Item	Code	Description	QT
01	0502010540	HOUSING DM	01
02	0503010006	32210 ROLLER BEARING	02
03	0502040061	AXLE	01
04	0503030013	4.4" X 3.5" X 0.004" JOINT	03
05	0503030684	4.4" X 3.5" X 0.004" JOINT	02
06	0502020424	HOUSING CAP DM	01
07	0503010134	3/8" X 1" BOLT	04
08	0503030026	SEAL LP JB-253	02
09	0502010541	SEAL RETAINER	02
10	0502010604	OUTER FLANGE	01
11	0502010605	INNER FLANGE	01
12	0503010856	OIL PLUG	02



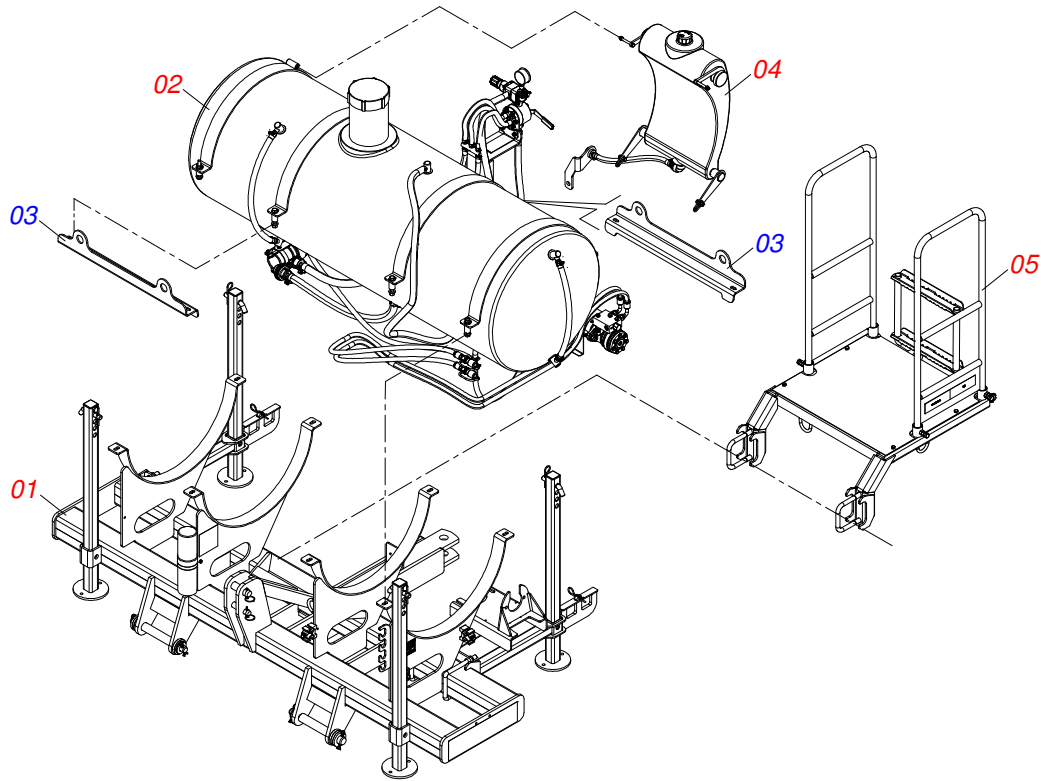
Item	Code	Description	QT
01	0501081724	HOSE	02
02	0501080406	3/8" X 23" TR-TC HOSE ASSY	01
03	0501082178	3/8 X 8800 TR-TM HOSE	02
04	0501080362	3/8" X 177" TC-TM HOSE ASSY	02
05	0501080460	3/8" X 23" TR-TR HOSE	01
06	0501053834	QUICK CONECTION (MALE) 1/2	04
07	0503011968	T ADAPTOR WITH GIRAT	01



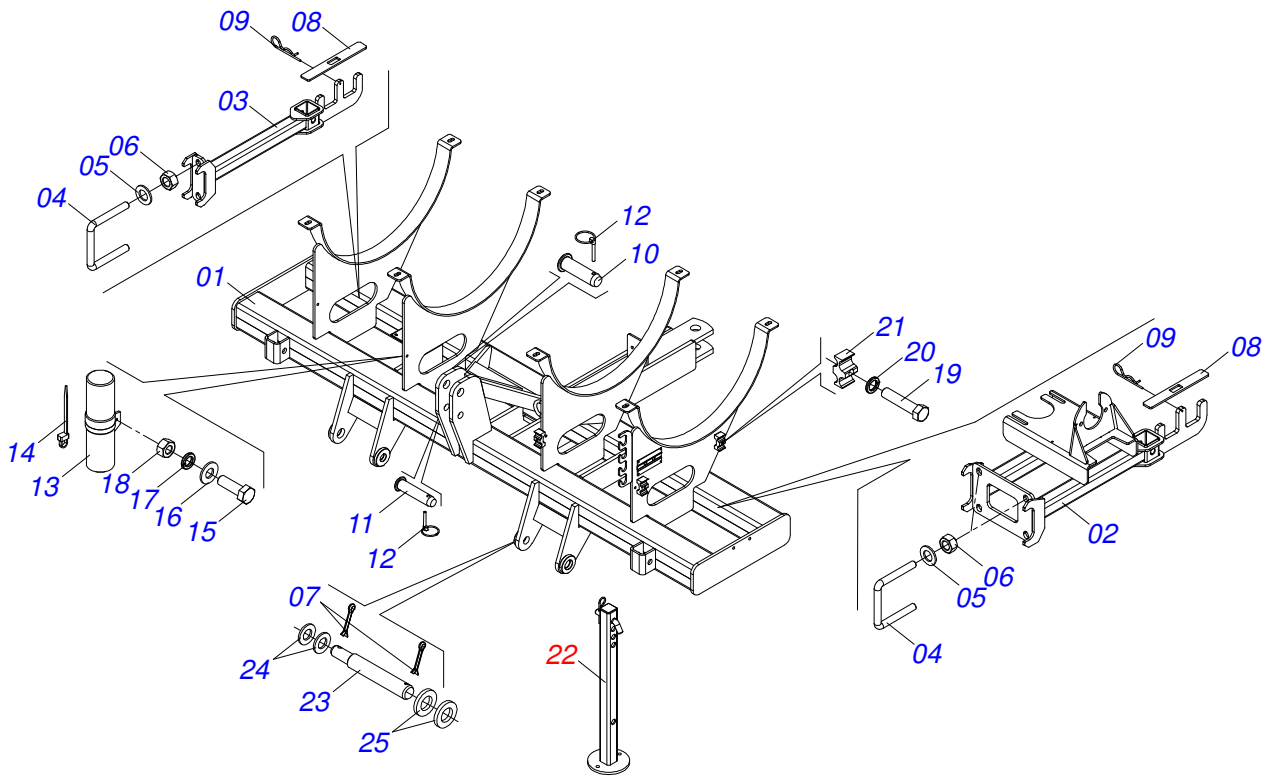
Item	Code	Description	QT
01	0503011627	QUICK CONNECTION (MALE) AGR 1/2 NPT	01
02	0503011882	QUICK CONNECTION COVER	01



Item	Code	Description	QT
001	0521052221	ASSY FRAME	01
002	0521052205	MOUNTED RIGHT TROUGH	01
003	0521052199	LEFT MOUNTED TROUGH	01
004	0521052196	SUPPORT FIXE	06
005	0501082127	1/2" X 3600 TR-TR HOSE	02
006	0503010296	CLAMP	02



Item	Code	Description	QT
01	0521052215	SEMI-ASSY FRAME	01
02	0521052220	600L SPRAYING SYSTEM	01
03	0581016143	LIFTING PLATE	02
04	0521052264	WATER RESERVOIR 20L COMPLETE ANATOMICO	01
05	0521052257	ASSY PLATFORM	01
06	0503034078	ADHESIVE LABEL	04



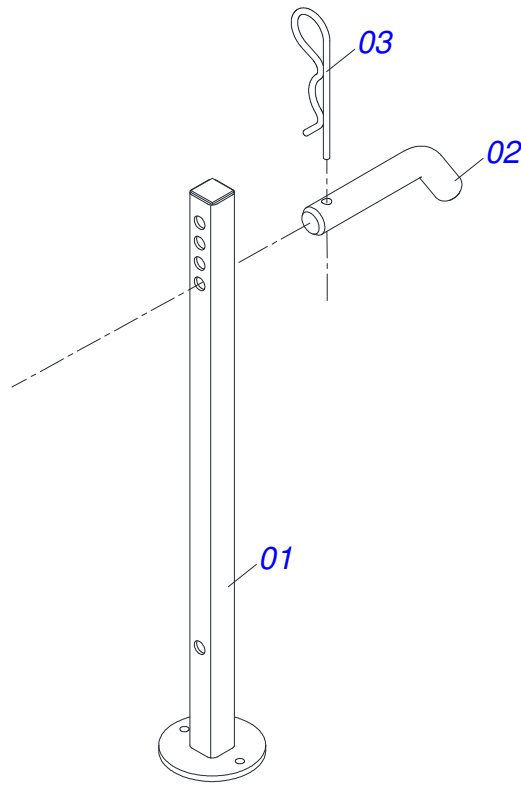
Item	Code	Description	QT
01	0521068416	SOLDIER FRAME	01
02	0521068411	SUPPORT	01
03	0521068412	MAJOR SUPPORT	01
04	0521012329	3/4 UNC X 130 X 173 FASTENER	03
05	0501013934	FLAT WASHER	06
06	0503011255	3/4" LOCK NUT	06
07	0503010534	3/8 X 2-1/2 COTTERPIN	04
08	0581016303	FIXED COVER	02
09	0503030012	HAIR PIN	02
10	0511011887	COUPLING SHAFT	01
11	0521010578	COUPLING SHAFT	01
12	0503030085	LOCK PIN	02
13	0503060100	HAND BOOK COMPARTMENT	01
14	0503010267	NYLON CLAMP	01
15	0503010371	5/16" X 1" BOLT	01
16	0501010694	FLAT WASHER	01
17	0503010179	SPRING WASHER	01
18	0503010337	5/16" NUT	01
19	0503011173	7/16" X 2" BOLT	03
20	0503010180	7/16" SPRING WASHER	03
21	0502012702	BODY SUPPORT CLAMP	03
22	0521051123	PLOUGH SUPPORT ASSY	04
23	0581015978	LOWER HINGED AXLE	02
24	0511017480	FLAT WASHER	04
25	0511019691	FLAT WASHER	04
26	0503034216	EMBLEM	02
27	0501092170	INSTRUCTION MANUAL	01
28	0503033647	APPROVED BADGE	01
29	0503031827	ADHESIVE LABEL	01
30	0503034004	ALUMINUM ID	01
31	0503031942	ADHESIVE LABEL	02
32	0503031739	ADHESIVE LABEL DANGER	01
33	0503013229	LATERAL BAND	02



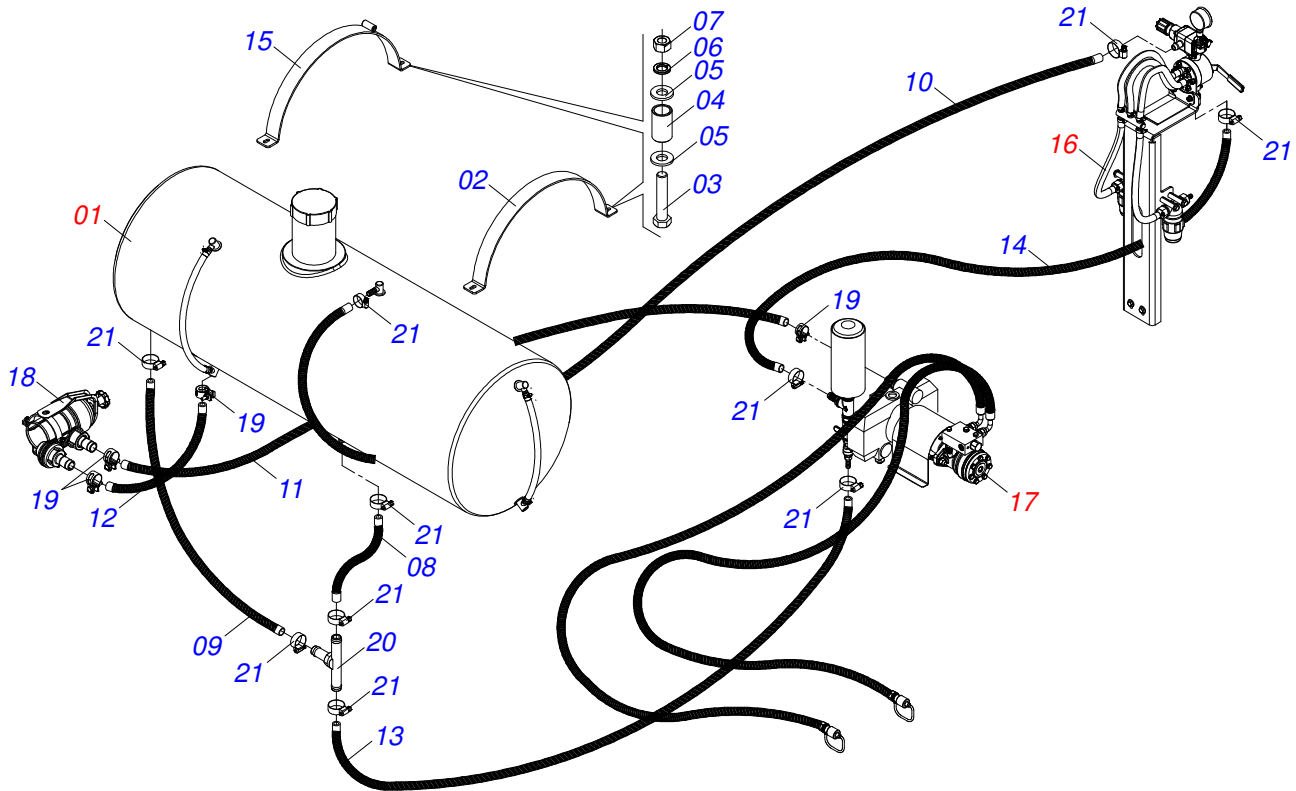
GDFM 72D WITH PULVERIZER KIT KP600
SEMI-ASSY FRAME (OPTIONAL)

Page 23
0521052215

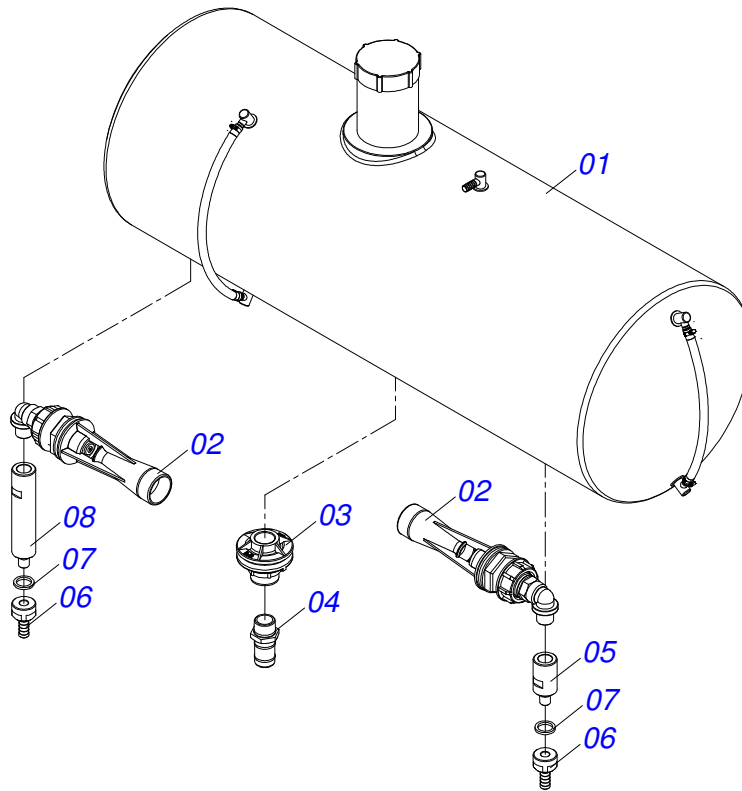
Item	Code	Description	QT
34	0503010001	RIVET POP	04



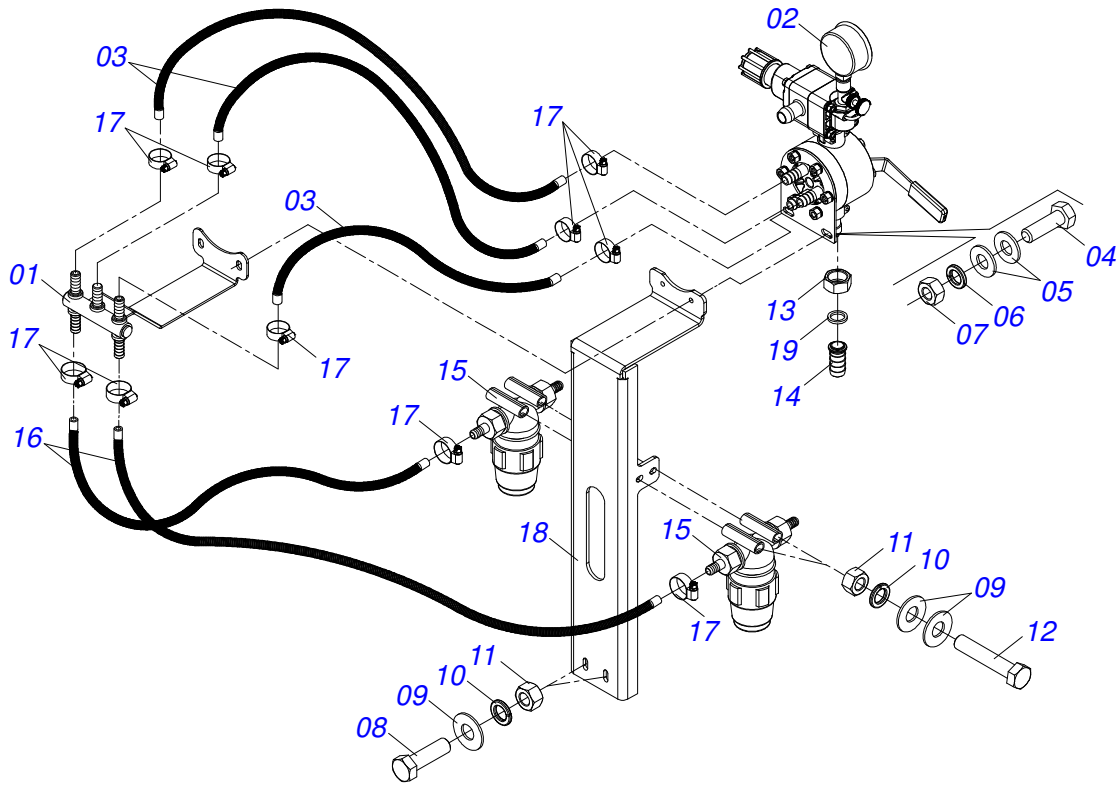
Item	Code	Description	QT
001	0521067869	PLOUGH SUPPORT	01
002	0501011075	PIN	01
003	0503030012	HAIR PIN	01



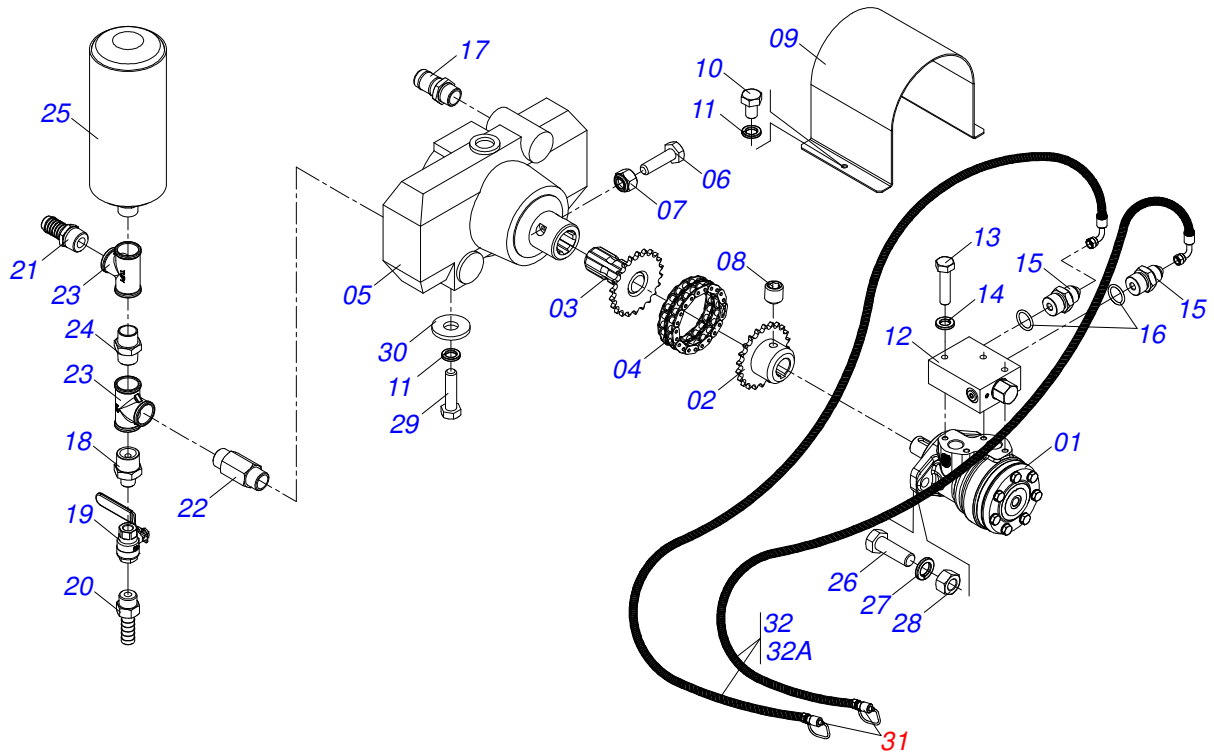
Item	Code	Description	QT
01	0521052219	ASSY TANK 600L	01
02	0581014471	FIXER RIBBON	02
03	0503010847	1/2" X 3.1/4" BOLT	08
04	0581014514	0.7" X	08
05	0501010937	FLAT WASHER	16
06	0503010019	1/2" SPRING WASHER	08
07	0503010060	1/2" NUT	08
08	0501082155	1/2" X 160 AB-AB HOSE	01
09	0571013296	HOSE	01
10	0501082174	3/4 X 2700 AB-AB HOSE	01
11	0501082152	1 X 1300 AB-AB FLEX HOSE SPIRAL	01
12	0501082153	1 X 600 AB-AB FLEX HOSE SPIRAL	01
13	0571014743	HOSE	01
14	0501082131	3/4" X 1300 AB-AB HOSE	01
15	0521067865	TANK FIXER RIBBON	02
16	0521052216	COMMAND WITH SUPPORT	01
17	0521052218	PUMP WITH HYDRAULIC MOTOR	01
18	0503062644	AIR CLEANER	01
19	0503034518	CLAMP	04
20	0503018849	CONNECTOR	01
21	0503010296	CLAMP	10



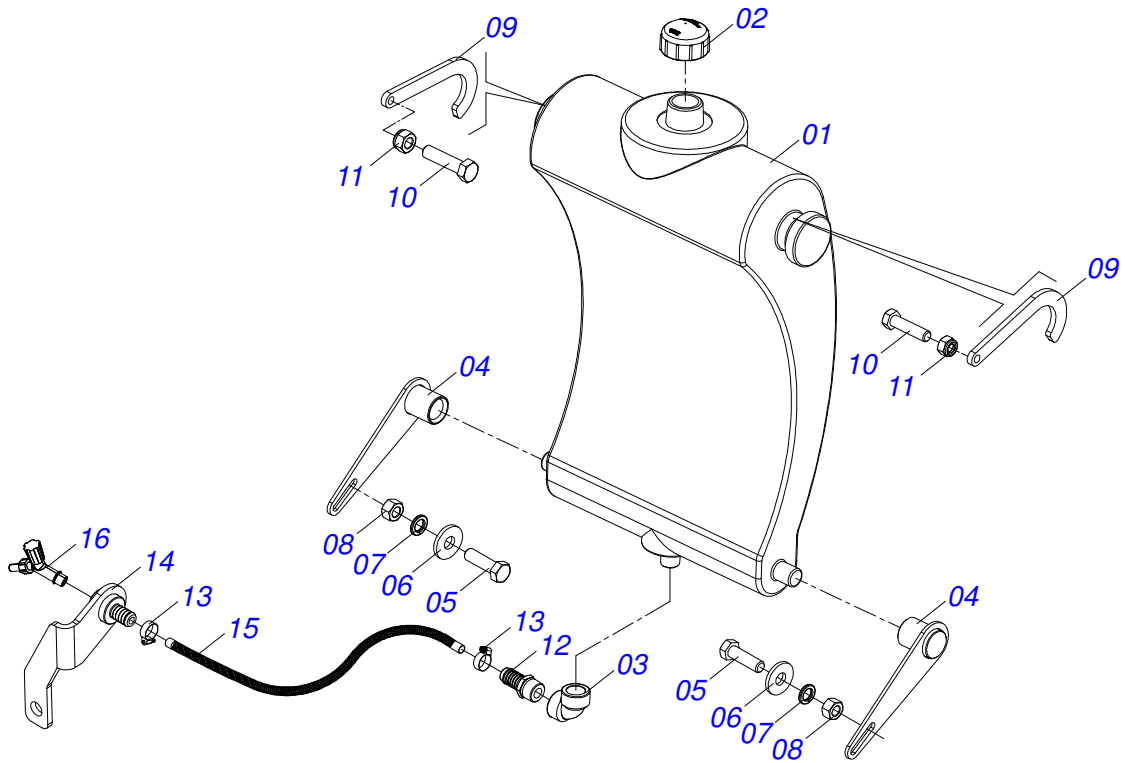
Item	Code	Description	QT
01	0581016354	600L RESERVOIR WITH HOLE	01
02	0503018846	MIXER	02
03	0503013967	3/4" PVC ADAPTER	01
04	0503014261	POINT	01
05	0581014509	EXTENSION	01
06	0581014511	POINT	02
07	0503013976	GASKET	02
08	0581014510	EXTENSION	01
09	0503034355	EMBLEM	02
10	0503013229	LATERAL BAND	01
11	0503034547	EMBLEM	01
12	0503034555	BUMPER STICKER ATTENTION CLEANING	01
13	0503034556	STICKER DANGER CHEMICAL PRODUCTS	01
14	0503034638	KP 600 80 X 320 EMBLEM	02



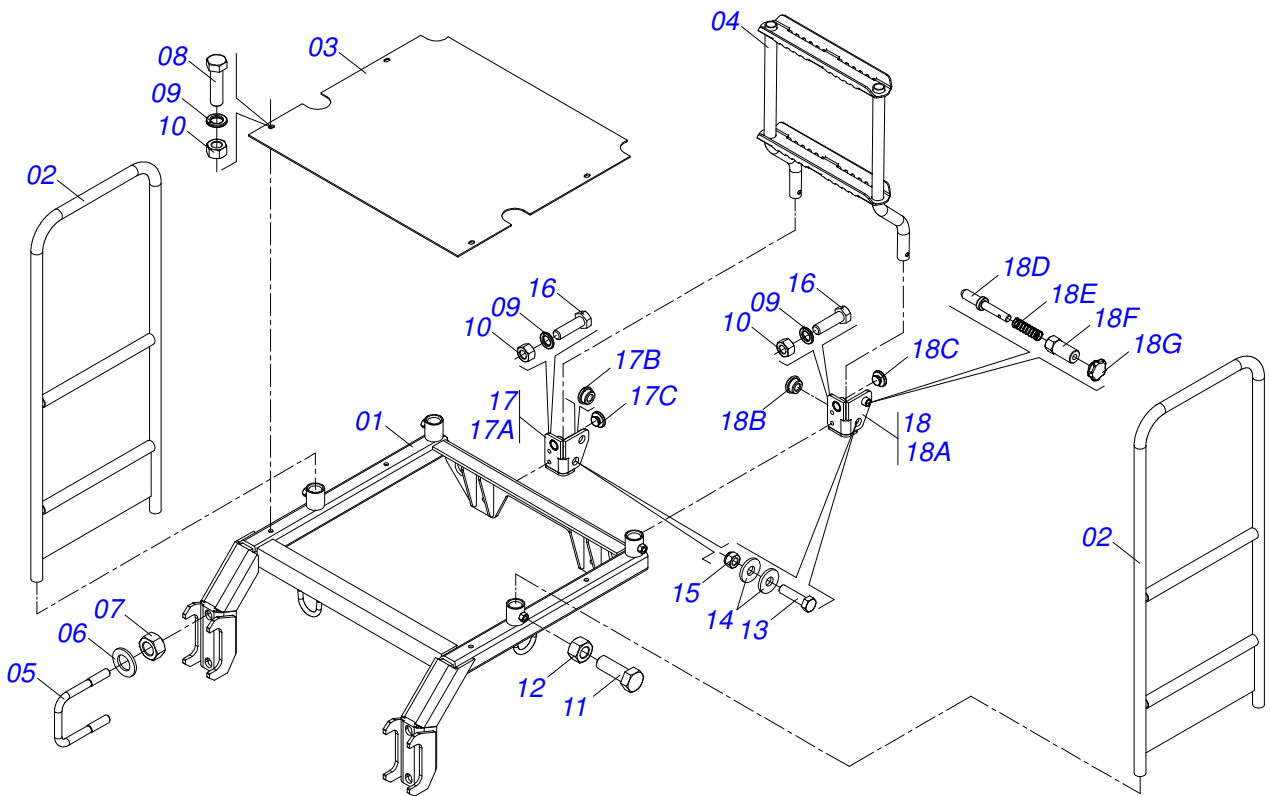
Item	Code	Description	QT
01	0521068417	FLUX DISTRIBUTOR	01
02	0503013908	COMMAND JACTO	01
03	0551016600	1/2 X 410 AB-AB HOSE	03
04	0503010371	5/16" X 1" BOLT	02
05	0501010694	FLAT WASHER	04
06	0503010179	SPRING WASHER	02
07	0503010337	5/16" NUT	02
08	0503010751	C3/8" X 1.1/4" HEX BOLT G.5	02
09	0501013518	FLAT WASHER	10
10	0503010025	3/8 SPRING WASHER	06
11	0503010026	3/8" NUT	06
12	0503018882	3/8 UNC X 3.1/2 C S G.7 ZN SCREW	04
13	0503013974	NUT	01
14	0571010261	HOSE COUPLING	01
15	0503062744	FILTER	02
16	0551016600	1/2 X 410 AB-AB HOSE	02
17	0503010296	CLAMP	10
18	0581016180	BODY FIXED COMMAND	01
19	0503013976	GASKET	01



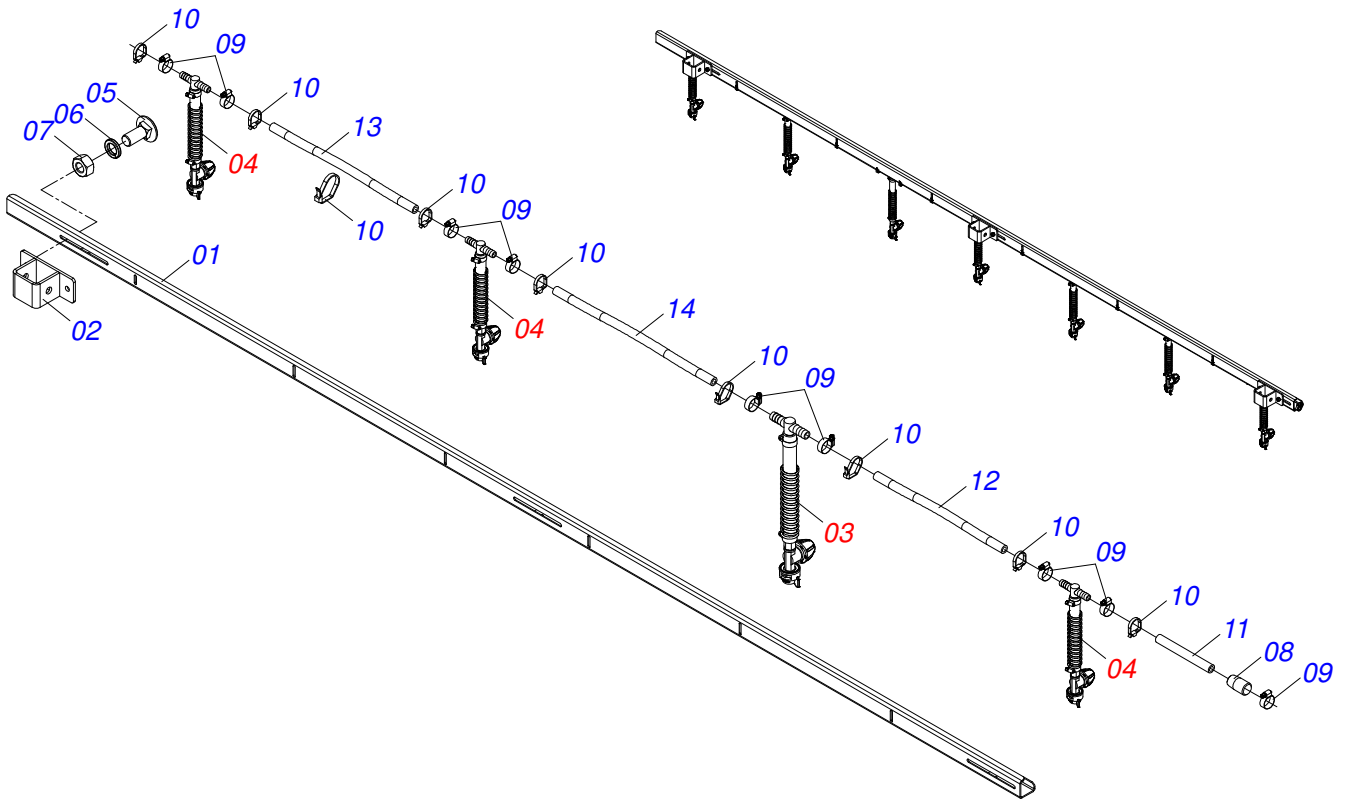
Item	Code	Description	QT
01	0503015422	MOTOR	01
02	0521060386	COUPLING MOTOR	01
03	0521067378	COUPLING	01
04	0503015425	CHAIN	01
05	0503013907	PUMP	01
06	0503010420	1/4" X 1-1/2" BOLT	01
07	0503014876	NUT PARLOCK 1/4"	01
08	0503016482	BOLT	01
09	0551018434	PROTECTION	01
10	0503010011	5/16" X 1/2" BOLT	02
11	0503010179	SPRING WASHER	06
12	0503062674	BLOCK	01
13	0503015149	M8 X 1,25 X 50 BOLT	03
14	0503014371	M8 SPRING WASHER	03
15	0511010111	7/8" NIPPLE	02
16	0503010045	2-116 N 3006-9B O'RING	02
17	0503014261	POINT	01
18	0581014507	NIPPLE R3/4 NPT X	01
19	0503016164	COCK MALE / FEMALE	01
20	0581014508	NIPPLE 3/8	01
21	0503014257	POINT	01
22	0581014459	NIPPLE R3/4 NPT X	01
23	0503017453	TE	02
24	0503016823	NIPPLE	01
25	0503014740	CAMPING COMPENSATOR JACTO	01
26	0503010920	1/2" X 1.1/2" BOLT	02
27	0503010019	1/2" SPRING WASHER	02
28	0503010060	1/2" NUT	02
29	0503010365	NUT	04
30	0501010984	FLAT WASHER	04
31	0501053834	QUICK CONECTION (MALE) 1/2	02
32	0521051032	HOSE KIT	01
32A	0501080553	3/8" X 126" TC-TM HOSE ASSY	02



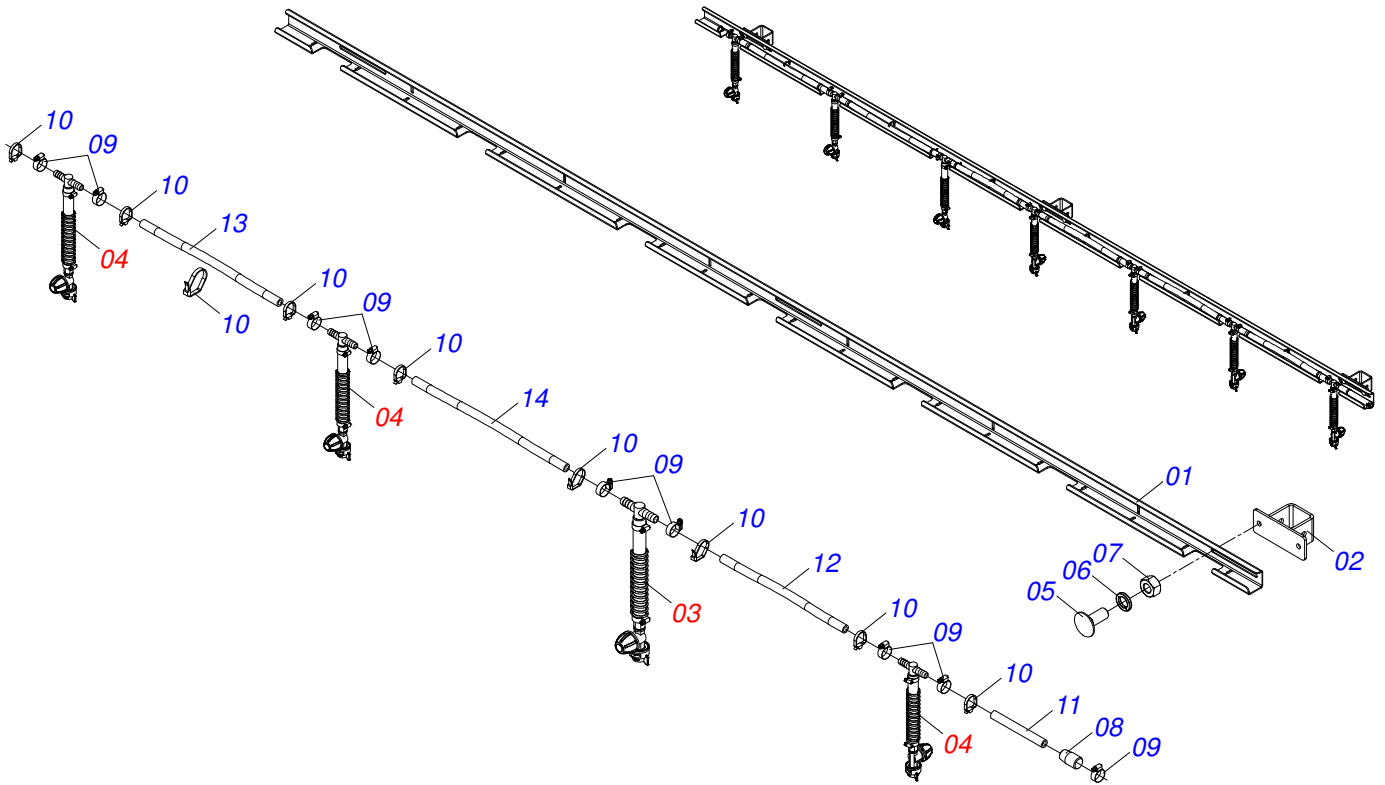
Item	Code	Description	QT
01	0581014461	TANK	01
02	0581013716	COVER ASSY	01
03	0503013969	3/4 ELBOW THREAD	01
04	0521067864	ROW LOWER SUPPORT	02
05	0503010751	C3/8" X 1.1/4" HEX BOLT G.5	02
06	0501010984	FLAT WASHER	02
07	0503010025	3/8 SPRING WASHER	02
08	0503010026	3/8" NUT	02
09	0581014481	UPER FIXING	02
10	0503010765	3/8" X 3" BOLT	02
11	0503013357	3/8" SELF-ADJUSTING NUT	02
12	0503014257	POINT	01
13	0503010296	CLAMP	02
14	0521068441	SUPPORT COMPLETE TAPE	01
15	0501082177	3/4 X 400 AB-AB HOSE	01
16	0503018694	WATER TAP	01
17	0503032532	EMBLEM WATER NOT POTAVEL	01



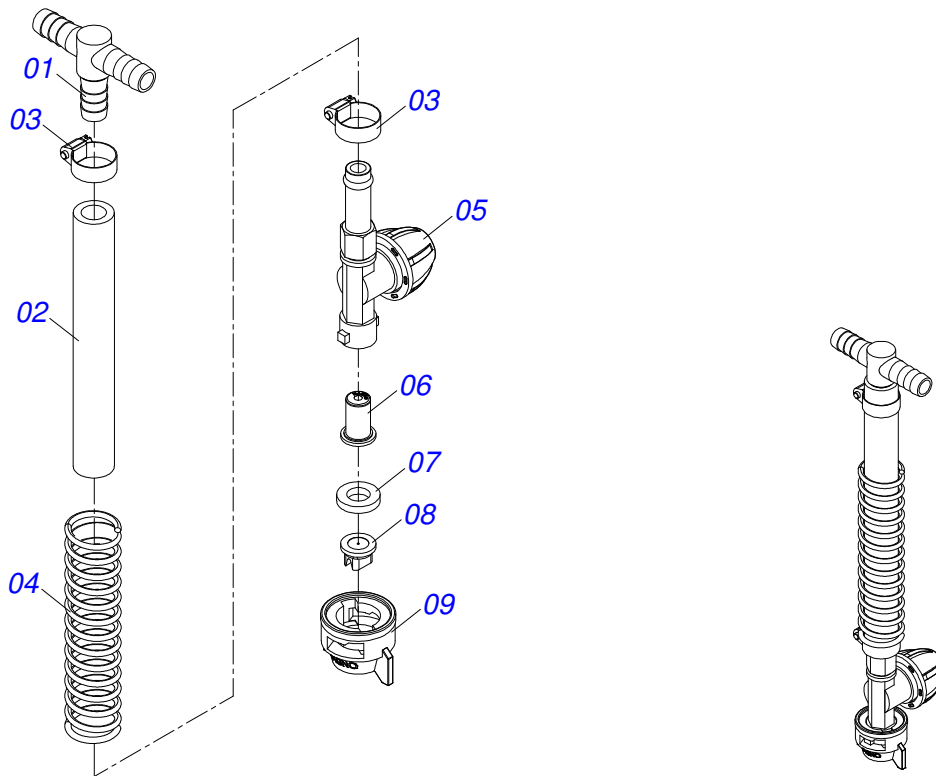
Item	Code	Description	QT
01	0521067866	PLATFORM	01
02	0521067867	HANDRAIL	02
03	0581014474	FLOOR	01
04	0511069636	LADDER	01
05	0581014522	FASTENER ASSY	02
06	0501013934	FLAT WASHER	04
07	0503011255	3/4" LOCK NUT	04
08	0503011141	3/8" X 2-3/4" BOLT	04
09	0503010025	3/8 SPRING WASHER	08
10	0503010026	3/8" NUT	08
11	0503030678	1/2"X1-1/2"BOLT	04
12	0503010060	1/2" NUT	04
13	0503011179	3/8" X 2-1/4" BOLT	02
14	0501010984	FLAT WASHER	04
15	0503013357	3/8" SELF-ADJUSTING NUT	02
16	0503010751	C3/8" X 1.1/4" HEX BOLT G.5	04
17	0521052260	ASSY LADDER RIGHT SUPPORT	01
17A	0521068450	LADDER RIGHT FIXER	01
17B	0503032594	30 X 13 X 19 PLUG	01
17C	0581016317	ARTICULATED GLOVE	01
18	0521052259	ASSY SUPPORT LEFT LADDER	01
18A	0521068451	FIXER LEFT LADDER	01
18B	0503032594	30 X 13 X 19 PLUG	01
18C	0581016317	ARTICULATED GLOVE	01
18D	0581016321	PIN LOCK LADDER	01
18E	0503034639	SPRING	01
18F	0581016319	TRIGGER CARTRIDGE	01
18G	0503010293	BAQUELITE MANIPULACION	01
19	0503013229	LATERAL BAND	02



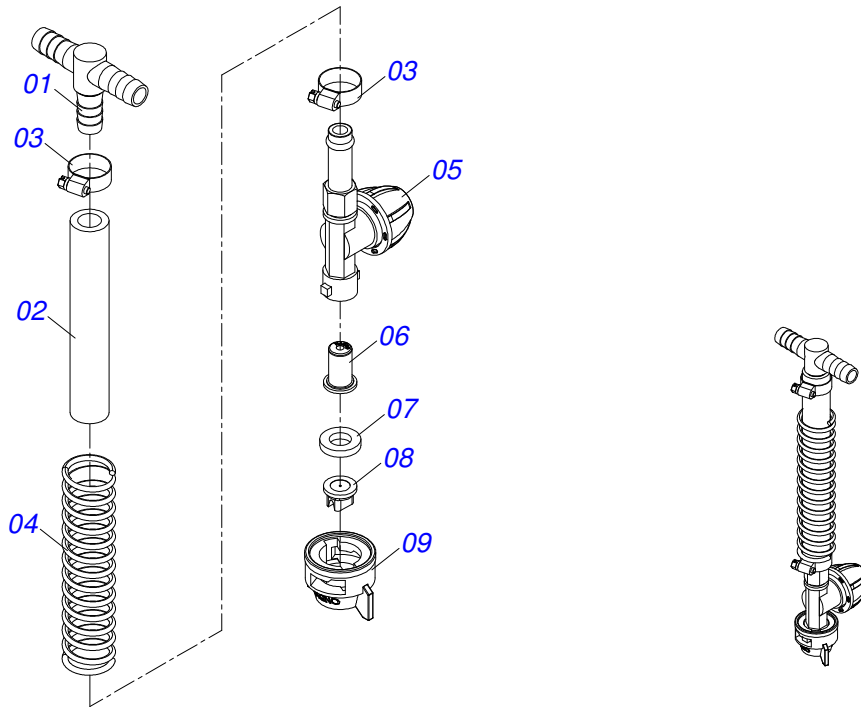
Item	Code	Description	QT
01	0581016138	50 X 50 X 3350 RIGHT SHAFT	01
02	0521068392	GUIDE RAIL	03
03	0521052198	MORE PENDANT	01
04	0521052197	SMALLER PENDANT	06
05	0503011952	5/16" X 3/4" BOLT	06
06	0503010179	SPRING WASHER	06
07	0503010337	5/16" NUT	06
08	0581016128	COVER	01
09	0503010296	CLAMP	15
10	0503016033	4,8 X 1,3 X 300 MM NYLON CLAMP	20
11	0501082171	1/2 X 200 AB-AB SANSUY HOSE	01
12	0501082173	1/2 X 430 AB-AB SANSUY HOSE	01
13	0501082172	1/2 X 480 AB-AB SANSUY HOSE	04
14	0551016602	1/2" X 520 AB-AB HOSE	01



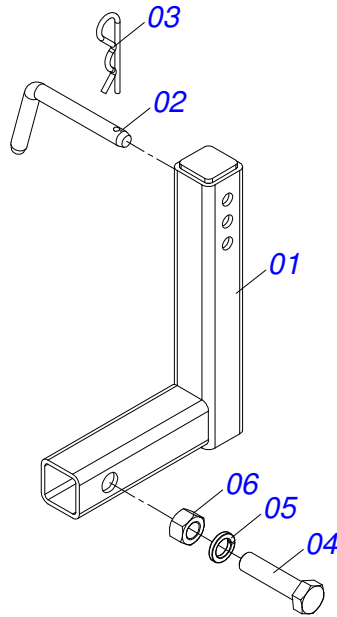
Item	Code	Description	QT
01	0581016137	LEFT SHAFT	01
02	0521068392	GUIDE RAIL	03
03	0521052198	MORE PENDANT	01
04	0521052197	SMALLER PENDANT	06
05	0503011952	5/16" X 3/4" BOLT	06
06	0503010179	SPRING WASHER	06
07	0503010337	5/16" NUT	06
08	0581016128	COVER	01
09	0503010296	CLAMP	15
10	0503016033	4,8 X 1,3 X 300 MM NYLON CLAMP	20
11	0501082171	1/2 X 200 AB-AB SANSUY HOSE	01
12	0501082173	1/2 X 430 AB-AB SANSUY HOSE	01
13	0501082172	1/2 X 480 AB-AB SANSUY HOSE	04
14	0551016602	1/2" X 520 AB-AB HOSE	01



Item	Code	Description	QT
01	0503015383	UNION	01
02	0501082171	1/2 X 200 AB-AB SANSUY HOSE	01
03	0503010296	CLAMP	02
04	0503019214	22 X 122 X 3,18 SPRING	01
05	0503064458	SUPPORT	01
06	0503018853	FILTERING ELEMENT	01
07	0503018852	JOINT RUBBER	01
08	0503019205	ADHESIVE	01
09	0503018858	COVER WITH HITCH	01



Item	Code	Description	QT
01	0503015383	UNION	01
02	0501082170	1/2 X 175 AB-AB SANSUY HOSE	01
03	0503010296	CLAMP	02
04	0503019214	22 X 122 X 3,18 SPRING	01
05	0503064458	SUPPORT	01
06	0503018853	FILTERING ELEMENT	01
07	0503018852	JOINT RUBBER	01
08	0503019205	ADHESIVE	01
09	0503018858	COVER WITH HITCH	01



Item	Code	Description	QT
01	0521068389	SUPPORT GUTTER	01
02	0541016844	FIXER LOCK	01
03	0503030168	HAIR PIN	01
04	0511010392	1.1/4"UNC NUT	01
05	0503010023	SPRING WASHER	01
06	0503012183	SNC 3/4" ZIN 1K03097 NUT	01



email: civemasa@civemasa.com.br

www.civemasa.com.br

Phone: +55 16.3382.8222

Fax: +55 16.3382.8355

MARCHESAN IMPLEMENTOS E MÁQUINAS AGRÍCOLAS "TATU" S.A.

Av. Marchesan, 1979 - Post Office box, 131 - Cep 15994-900 - Matão - Sp - Brasil

CNPJ 52.311.289/0001-63 | Inst. Est.441.000.151.114

Technical Publications: Elaboration

ALESSANDRA PATRICIA KAWAHARA CARRILI

Technical Publications: Revision

ALESSANDRA PATRICIA KAWAHARA CARRILI

Contact Catálogo:

E-mail = jgaspari@marchesan.com.br

ORIGINAIS PARTS
CIVEMASA

civemasa