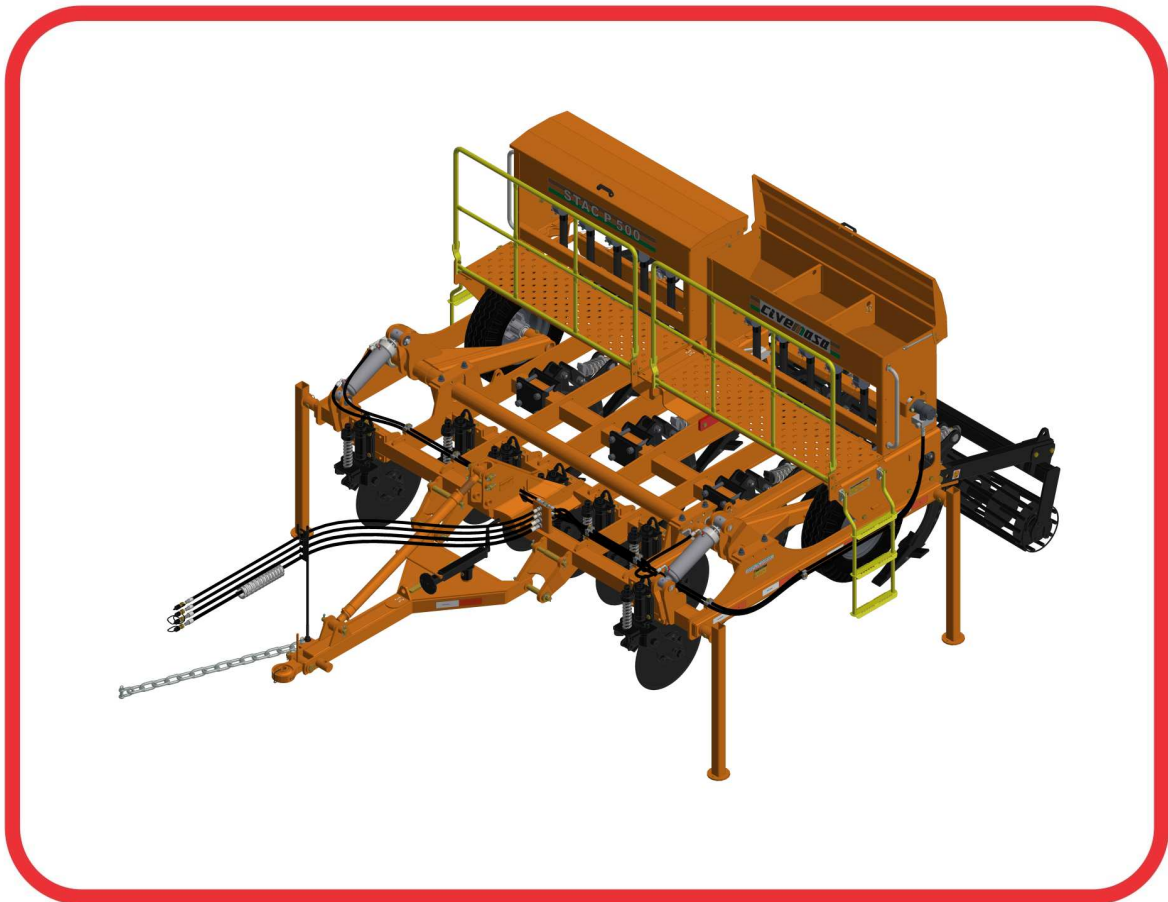


PARTS CATALOGUE

SUBSOILER PLOUGH

STAC P 500 - 7H/B-PRN/DC/RD/SEM

Code: 0501092167



Series: S-0118

Rev.: 00

Date Rev.: JANEIRO/2019

ORIGINAL PARTS
CIVEMASA

civemasa

PRODUCTS

Code

0120370319

Description

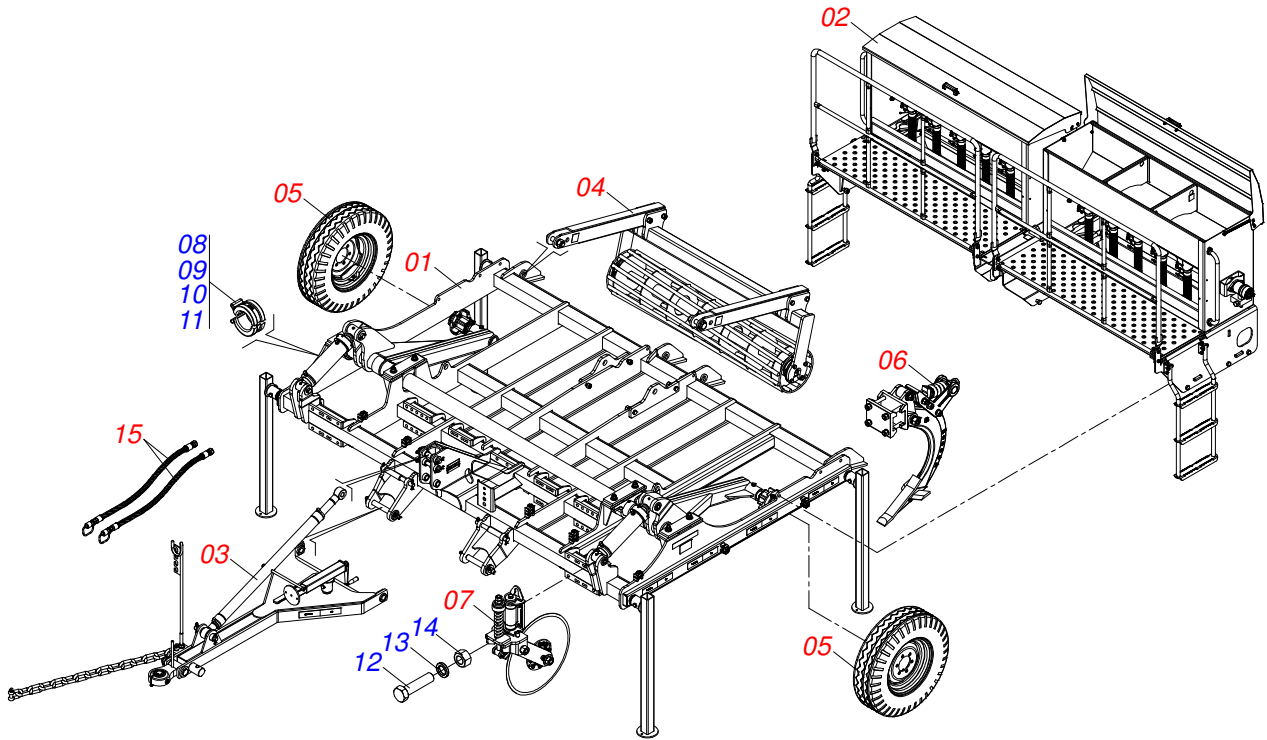
STAC P 500 7H B-PRN DC RD SEM ESPECIAL S-0118

ATTENTION: *IMPORTANT*

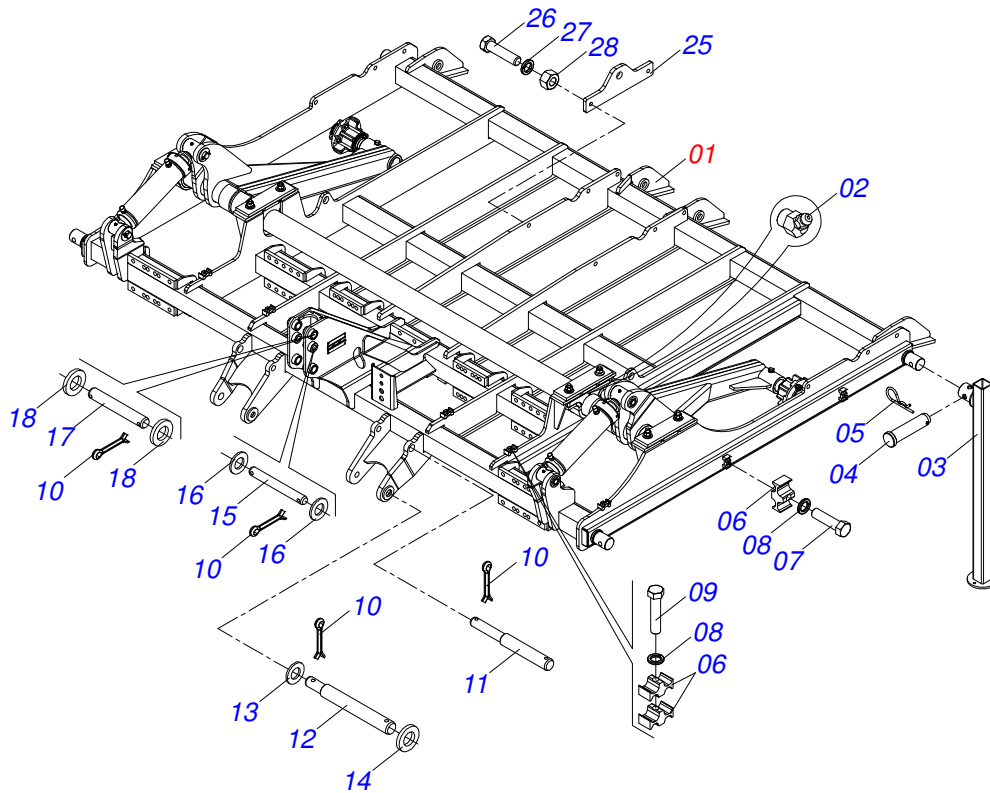
CIVEMASA RESERVES THE RIGHT AT ANY TIME TO MAKE IMPROVEMENTS IN THE DESIGN, MATERIAL OR SPECIFICATIONS OF MACHINERY, EQUIPMENT OR PARTS WITHOUT THEREBY BECOMING LIABLE TO MAKE SIMILAR CHANGES IN MACHINERY, EQUIPMENT OR PARTS PREVIOUSLY SOLD.

INDEX

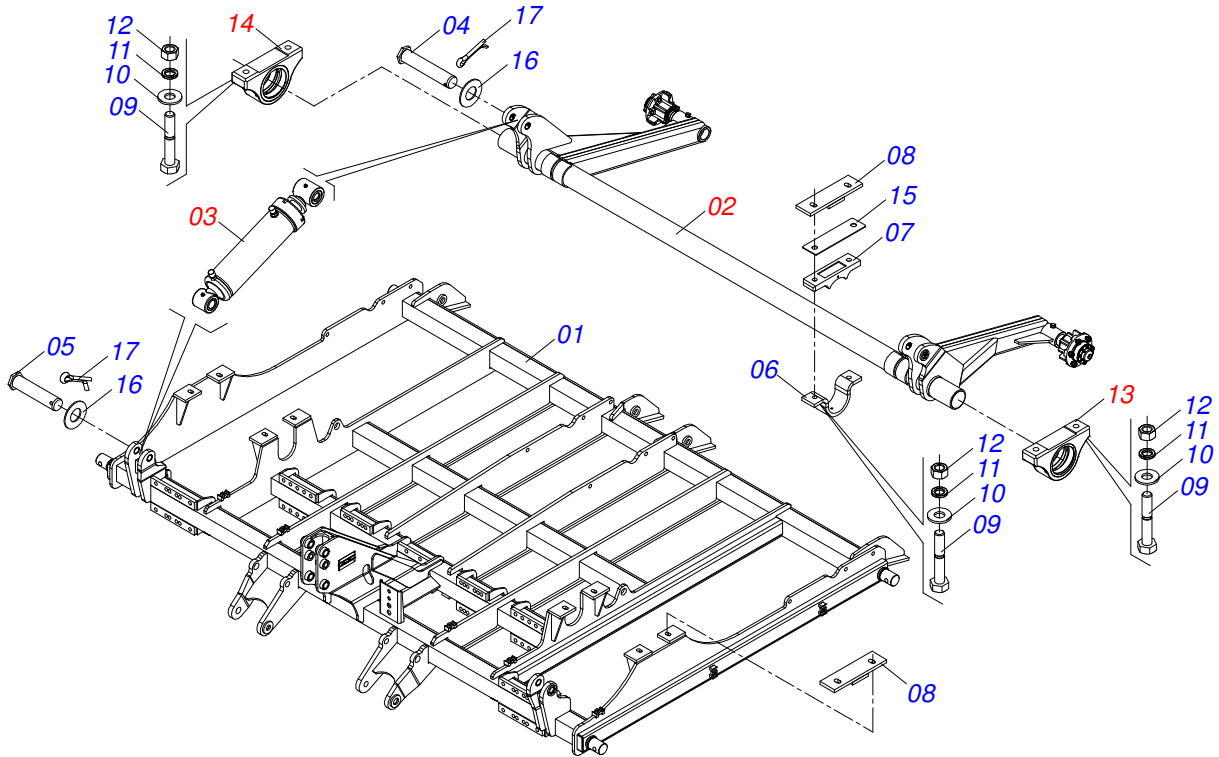
0909093760	STAC P 500 - 7H/B-PRN/DC/RD/SEM	1
0521052176	SEMI MOUNTED FRAME	2
0521052182	SEMI MOUNTED FRAME	3
0521052124	CARRYNG-WHEELS ASSY	4
0501054501	WHEEL HUB	5
0521053332	HYDRAULIC CYLINDER 50,8 X 101,6 X 566,5 X 251,5	6
0909093762	SEED BOX ASSY FINE	7
0521052122	1329 HOSE HOLDER	8
0521051159	SEED AXLE REGULATOR	9
0521052120	FINE SEED BOX 06 RIGHT MOUTHS	10
0501051927	COVER PIVOT SHAFT ASSY	11
0909093761	ASSY FINE SEED DISTRIBUTOR	12
0503032990	SEED DISTRIBUTOR BOX	13
0521052121	FINE SEED BOX 06 LEFT MOUTHS	14
0501053421	VALVE MOTOR HYDRAULIC ASSY	15
0909093763	ASSY DRAWBAR	16
0511048088	DRAWBAR JACK	17
0501040257	3/4 X 1200 HOSE HOLDER A	18
0521051094	ASSY EXTENSOR	19
0521047839	BREAK ROLLER ASSY	20
0511050526	ROLL WILH FULL SUPPORTE	21
0503062010	750 X 16-12L ASSY WHEEL AND TIRE	22
0521051740	SUBSOILER ASSY	23
0501052671	24" BLADE DISC ASSY	24
0501052013	24" BLADE DISC WITH HOUSING	25
0501057526	DISC HUB	26
0521052180	ASSY DOOR HAND BOOK	27
0909093764	HYDRAULIC CIRCUIT	28
0501053834	MALE QUICK COUPLING AGRICULTURAL WITH COVER - 1/2 NPT	29



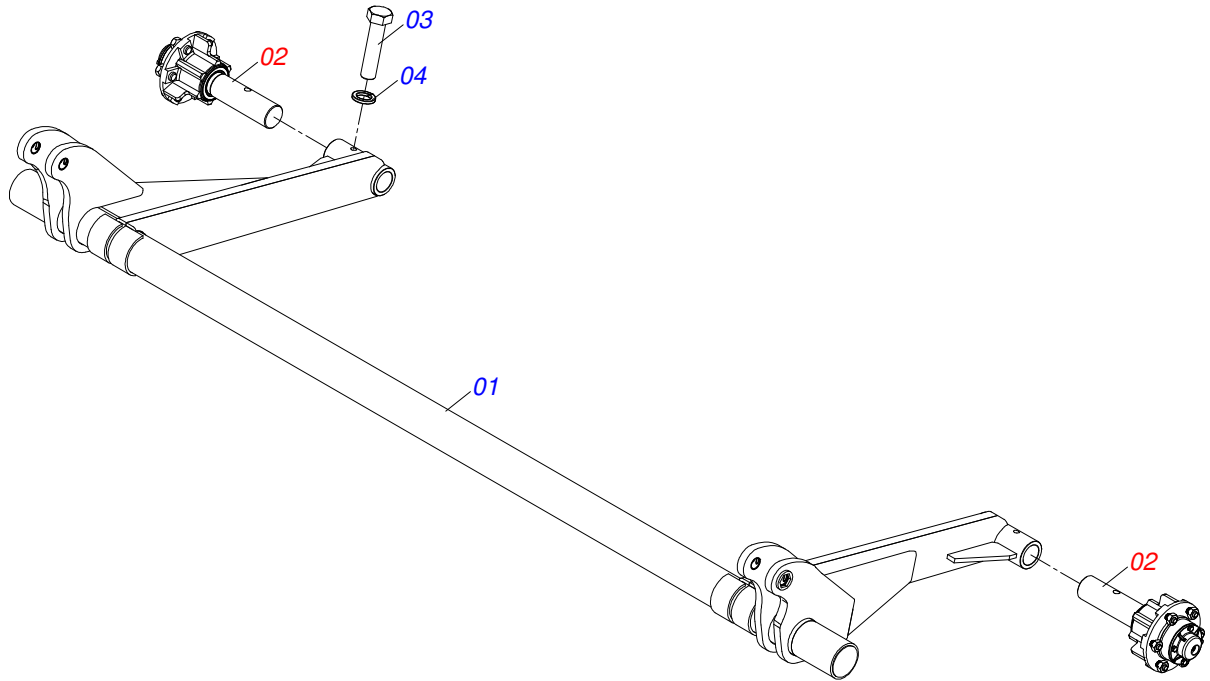
Item	Code	Description	QT
01	0521052176	SEMI MOUNTED FRAME	01
02	0909093762	SEED BOX ASSY FINE	01
03	0909093763	ASSY DRAWBAR	01
04	0521047839	BREAK ROLLER ASSY	01
05	0503062010	750 X 16-12L ASSY WHEEL AND TIRE	02
06	0521051740	SUBSOILER ASSY	01
07	0501052671	24" BLADE DISC ASSY	01
08	0501047887	ROD STOP	02
09	0501047886	ROD STOP	02
10	0501047885	ROD STOP	02
11	0501047895	ROD STOP	02
12	0501010500	3/4"X3"BOLT	28
13	0503010023	SPRING WASHER	28
14	0503012183	SNC 3/4" ZIN 1K03097 NUT	28
15	0909093764	HYDRAULIC CIRCUIT	01



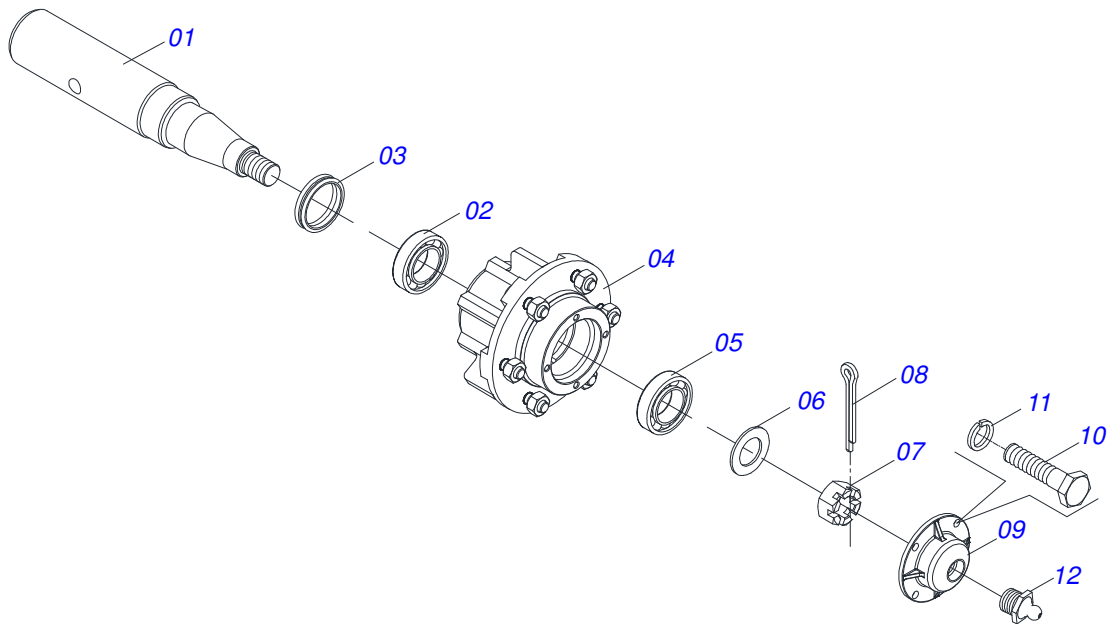
Item	Code	Description	QT
01	0521052182	SEMI MOUNTED FRAME	01
02	0503010003	1845 GREASE FITTING	08
03	0521068333	SUPPORT	04
04	0561014251	COUPLING SHAFT	04
05	0503030285	HAIR PIN	04
06	1902012702	UPPER CLAMP BODY	09
07	0503012555	7/16" X 2" BOLT	05
08	0503010180	7/16" SPRING WASHER	07
09	0503010850	7/16" X 3" BOLT	02
10	0503010534	3/8 X 2-1/2 COTTERPIN	12
11	0581015979	LOWER HINGED AXLE	02
12	0581015978	LOWER HINGED AXLE	02
13	0511017480	FLAT WASHER	02
14	0511019691	FLAT WASHER	02
15	0581015981	25,40 X 210 PIN	01
16	0511015994	FLAT WASHER	02
17	0581015980	31,75 X 210 PIN	01
18	0501017779	FLAT WASHER	02
19	0503034078	ADHESIVE LABEL	02
20	0503031827	ADHESIVE LABEL	02
21	0503031739	ADHESIVE LABEL DANGER	02
22	0503031428	ADHESIVE LABEL ATTENTION	01
23	0503013229	LATERAL BAND	08
24	0503033647	APPROVED BADGE	01
25	0581017421	LIFTING POINT	02
26	0501010500	3/4"X3"BOLT	04
27	0503010023	SPRING WASHER	04
28	0503010014	3/4" NUT	04



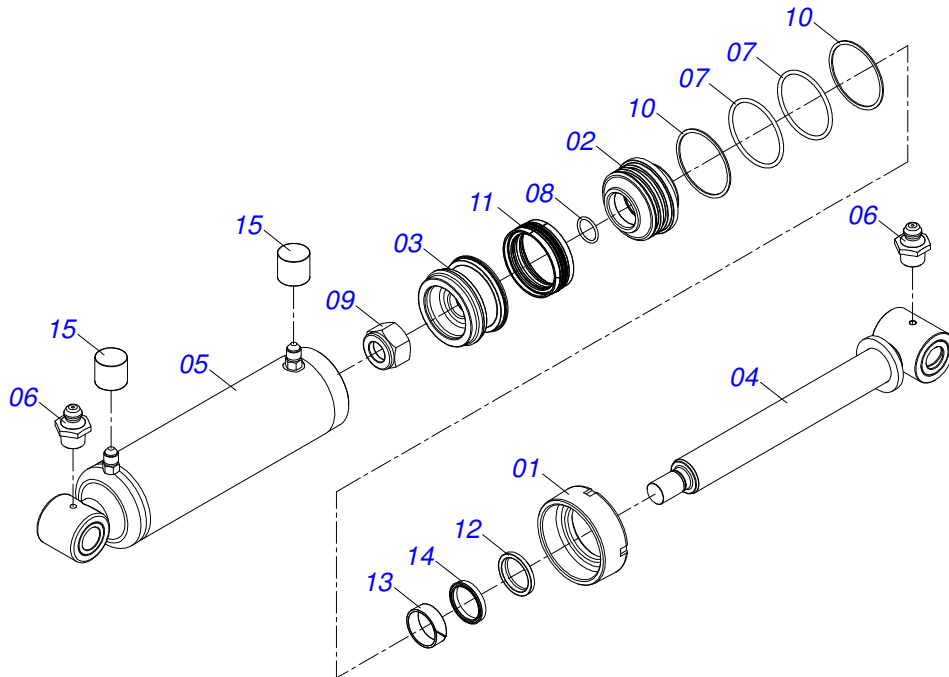
Item	Code	Description	QT
01	0521068327	FRAME	01
02	0521052124	CARRYNG-WHEELS ASSY	01
03	0521053332	HYDRAULIC CYLINDER 50,8 X 101,6 X 566,5 X 251,5	02
04	0521068984	AXLE LATCH 31,75 X 170 HOLE 150	02
05	0521068987	AXLE LATCH 31,75 X 150 HOLE 150	02
06	0511016831	UPPER HALF PIVOT BEARING	02
07	0502011159	LOWER HALF PIVOT BEARING	02
08	0511063688	BOOST BEARING	04
09	0501010216	3/4" X 4-1/2" BOLT	08
10	0503810023	PRESSURE WASHER	08
11	0501010322	FLAT WASHER	08
12	0503012183	SNC 3/4" ZIN 1K03097 NUT	08
13	0501110563	MANCAL ARTICULAÇÃO ESQUERDA C/LUVA	01
14	0501110568	MANCAL ARTICULAÇÃO DIREITA C/LUVA	01
15	0581018688	BEARING SUPPORT	02
16	0521813442	FLAT WASHER 35,10 X71,96 X3,00	04
17	0503010523	1/4" X 2" COTTERPIN	04



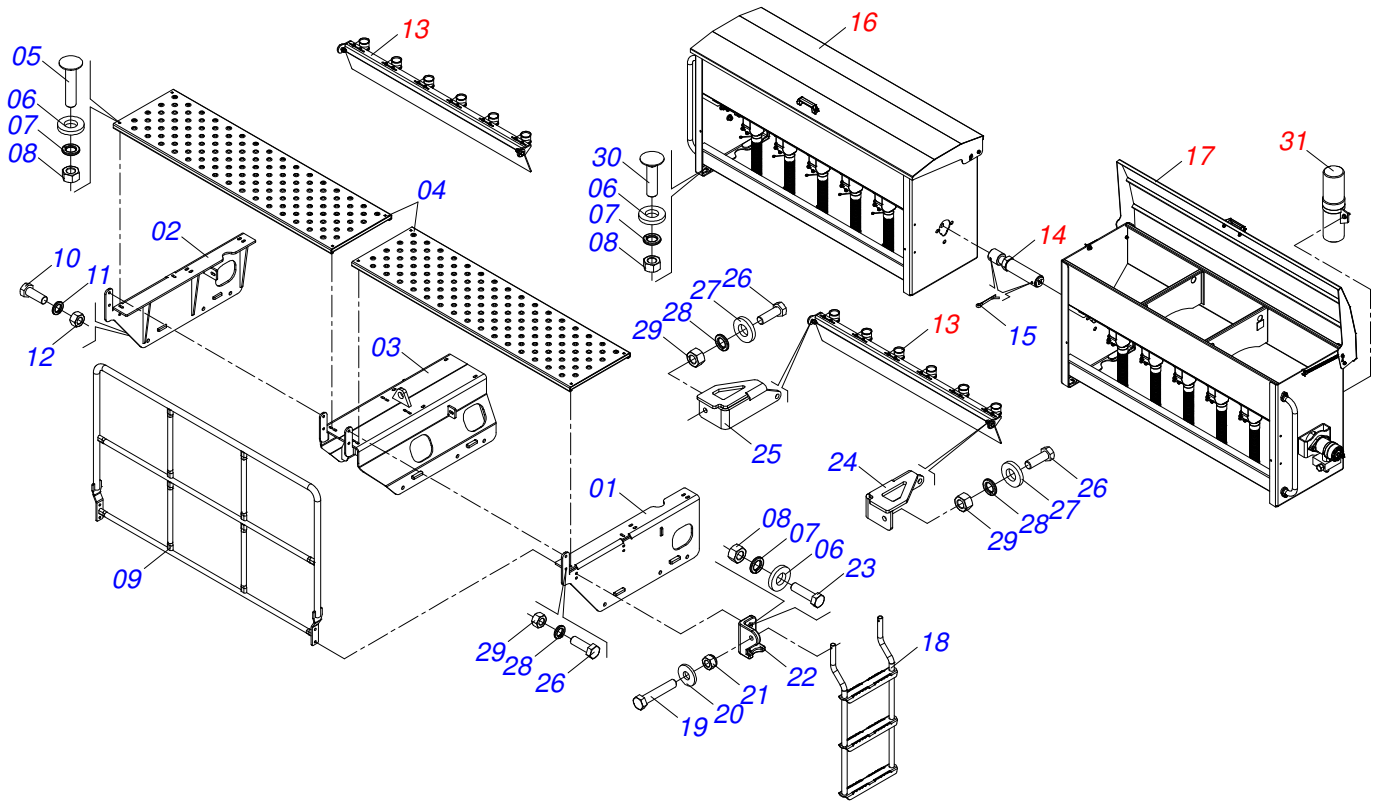
Item	Code	Description	QT
01	0511067867	AXLE WHEEL	01
02	0501054501	WHEEL HUB	02
03	0503010762	5/8" X 3-12" BOLT	02
04	0503010027	SPRING WASHER	02



Item	Code	Description	QT
01	0531018161	AXLE	01
02	0503010006	32210 ROLLER BEARING	01
03	0503012928	SEAL	01
04	0501110728	WHEEL HUB	01
05	0503010037	30207 ROLLER BEARING	01
06	0501016545	FLAT WASHER	01
07	0503030009	1" CASTLE NUT	01
08	0503010018	5/32 X 1-1/2 COTTERPIN	01
09	0502020591	PROTECCION COVER	01
10	0503010358	5/16" X 5/8" BOLT	04
11	0503011444	SPRING WASHER	04
12	0503010002	1800 GREASE FITTING	01



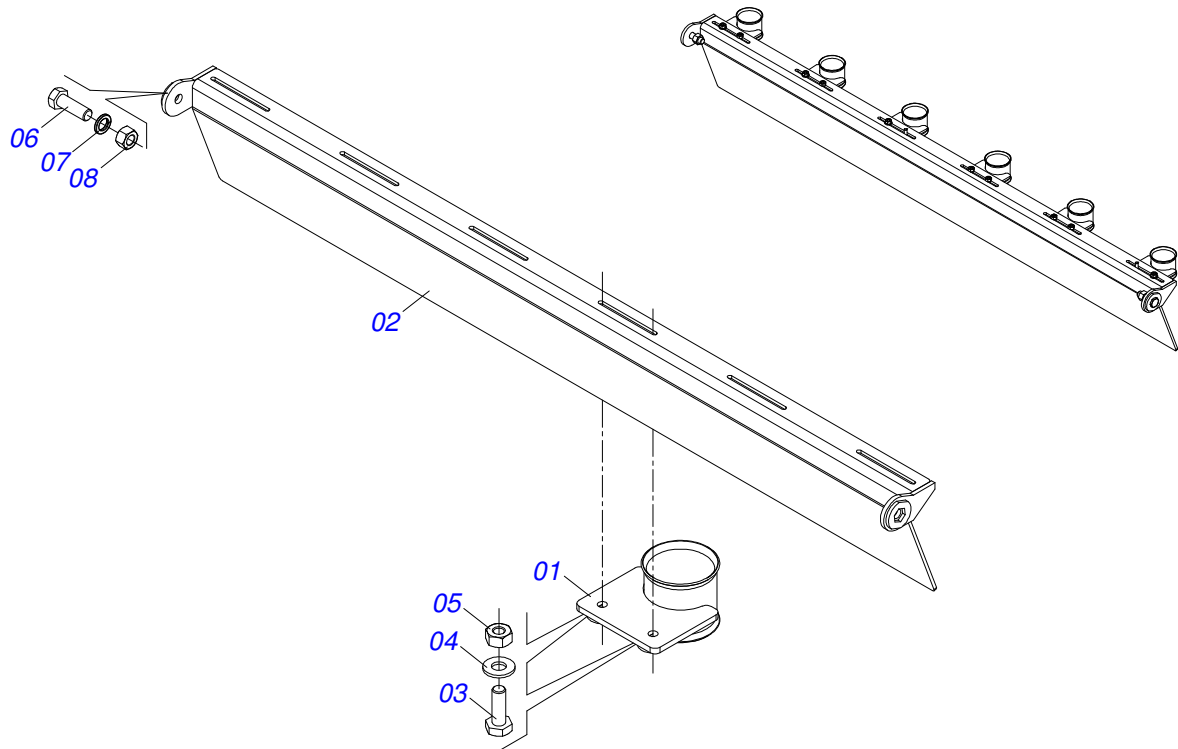
Item	Code	Description	QT
01	0502012822	101,60 MOBILE COVER	01
02	0581010678	50,80 X 101 RING SUPPORT	01
03	0502012842	50,80 X 101,60 PISTON	01
04	0521066898	26" TURNBUCKLE	01
05	0511071442	SHIRT 101.6 X 447.5	01
06	0503010002	1800 GREASE FITTING	02
07	0503010338	2-342 N 3006-9B O'RING	02
08	0503010345	2-218 N 3006-9B O'RING	01
09	0503010817	1-1/4" SELF-ADJUSTING NUT	01
10	0503011061	8-342 BACK-UP RING	02
11	0503015633	SELEMASTER SEALING	01
12	0503015636	SCRAPER SEAL	01
13	0503018025	RING GUIDE	01
14	0503018026	1870-2000-375 B GASKET	01
15	0503030385	CYLINDER PLUG N-002	02



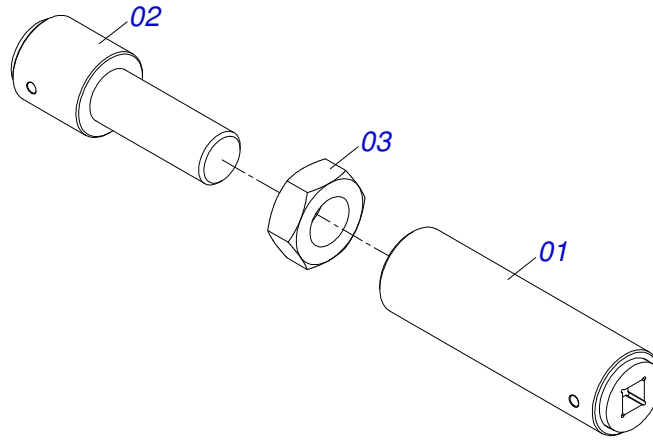
Item	Code	Description	QT
00	0521052123	FINE SEAL BOX WITH PLATFORM	01
01	0521065710	LEFT SUPPORT FIXING BOX	01
02	0521065708	FIXER BOX SUPPORT	01
03	0521067877	CENTRAL SUPPORT WITH FIXATION	01
04	0521065717	PLATAFORM	02
05	0501011778	3/8" X 2-1/2" BOLT	08
06	0501013687	FLAT WASHER	24
07	0503010025	3/8 SPRING WASHER	24
08	0503010026	3/8" NUT	24
09	0521068324	1636 HANDRAIL	02
10	0501010098	HEX BOLT 3/4 UNC X 2 C S G.5 ZN	12
11	0503010023	SPRING WASHER	12
12	0503010014	3/4" NUT	12
13	0521052122	1329 HOSE HOLDER	02
14	0521051159	SEED AXLE REGULATOR	01
15	0503012231	1/4" X 3" COTTERPIN	02
16	0521052120	FINE SEED BOX 06 RIGHT MOUTHS	01
17	0521052121	FINE SEED BOX 06 LEFT MOUTHS	01
18	0511069819	SIDE LADDER	02
19	0501010096	3/8" X 2" BOLT	04
20	0501010984	FLAT WASHER	04
21	0503013357	3/8" SELF-ADJUSTING NUT	04
22	0502012742	FIXER SUPPORT LADDER	04
23	0503010751	C3/8" X 1.1/4" HEX BOLT G.5	08
24	0521068332	LEFT SUPPORT	02
25	0521068331	RIGHT SUPPORT	02
26	0503010920	1/2" X 1.1/2" BOLT	12
27	0501010937	FLAT WASHER	04
28	0503010019	1/2" SPRING WASHER	12
29	0503010060	1/2" NUT	12
30	0503015920	3/8" UNC X 1.3/4" BOLT	08



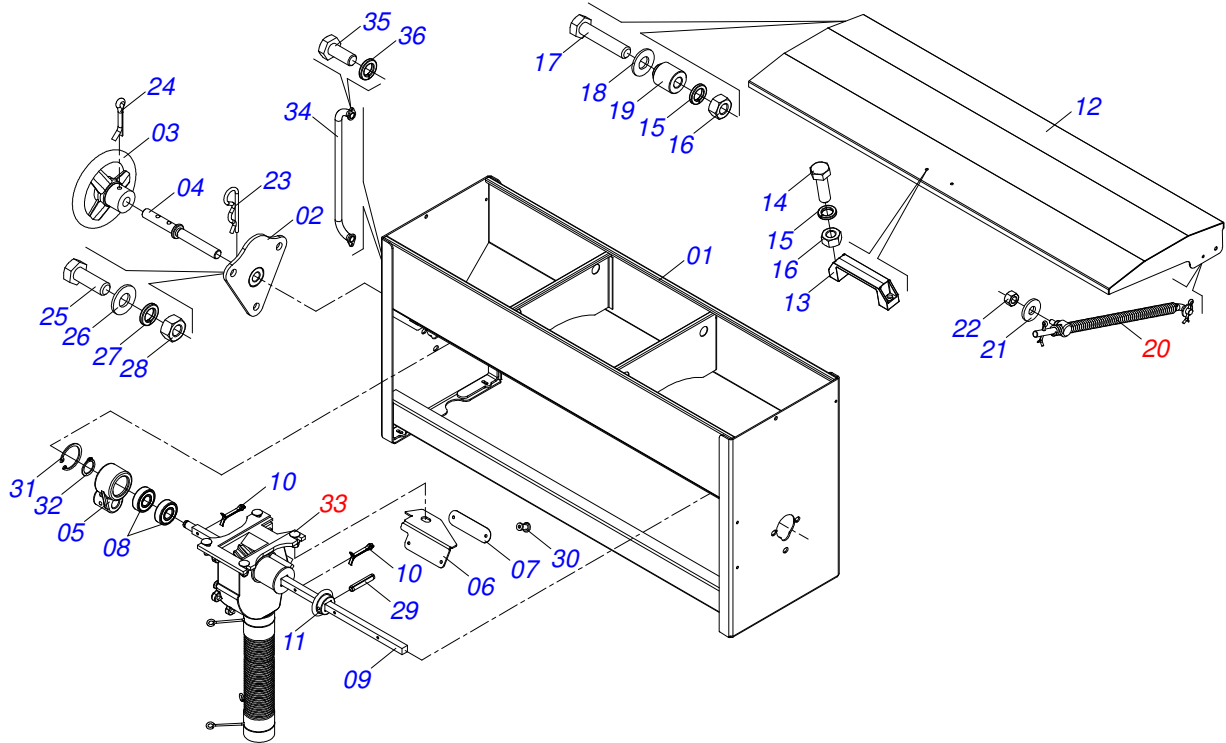
Item	Code	Description	QT
31	0521052180	ASSY DOOR HAND BOOK	01



Item	Code	Description	QT
01	0521068326	HANDLE SUPPORT	06
02	0521068325	SEED DEFLECTOR	01
03	0503010282	1/4" X 3/4" BOLT	12
04	0511017303	FLAT WASHER	12
05	0503010144	1/4" NUT	12
06	0503010920	1/2" X 1.1/2" BOLT	02
07	0503010019	1/2" SPRING WASHER	02
08	0503010060	1/2" NUT	02



Item	Code	Description	QT
01	0521067880	ADJUSTING NUT	01
02	0521064906	SEED AXLE CONTROL FUSE	01
03	0503013094	1.1/4" NUT	01



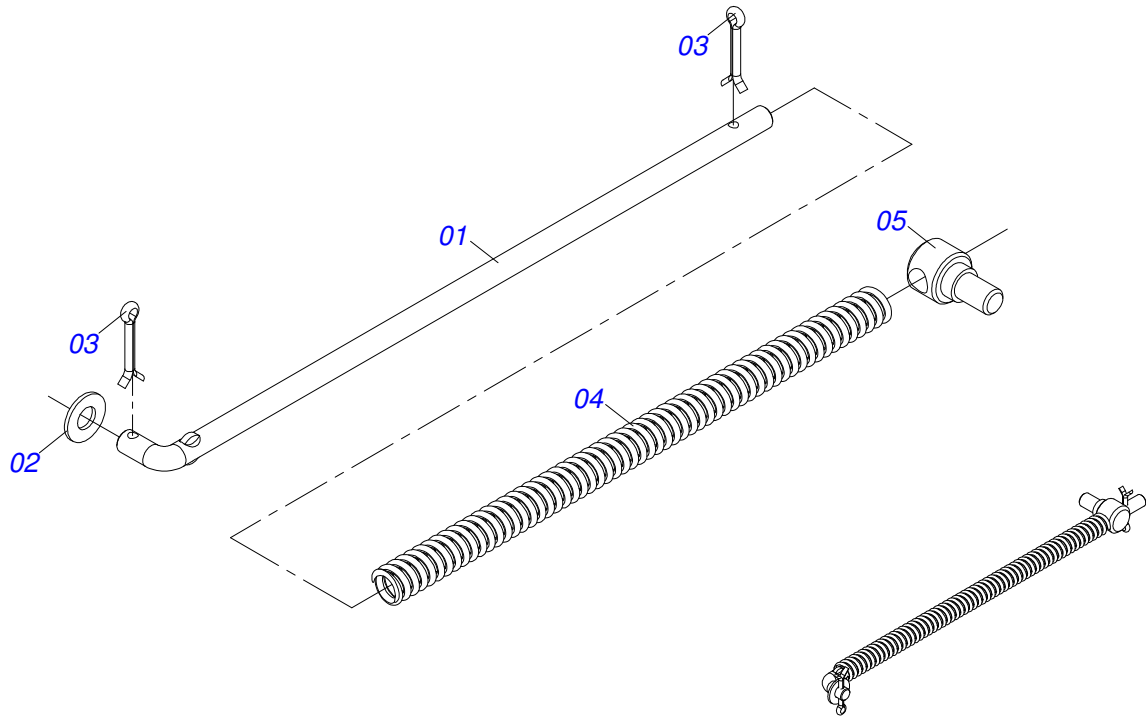
Item	Code	Description	QT
01	0521065714	SEED BOX	01
02	0521065734	HANDLE SPINDLE SUPPORT	01
03	0551019597	SEED REGULACION HANDLE	01
04	0541015305	HANDLE SPINDLE	01
05	0502012325	SEED REG BEARING	01
06	0561017360	SEED DOSADOR SCALE SUPPORT	01
07	0503030886	SCALE DOSER	01
08	0503012882	BALL BEARING	02
09	0571018164	1520 SEED DISTRIBUTOR AXLE	01
10	0503010257	1/8" X 1" COTTERPIN	02
11	0503032423	LARGE DOSER	01
12	0521065718	BOX COVER	01
13	0503011907	PMC 594-S NYLON LUG	01
14	0503010363	5/16" X 1" BOLT	02
15	0503010179	SPRING WASHER	04
16	0503010337	5/16" NUT	04
17	0503010421	5/16" X 1-1/2" BOLT	02
18	0501010694	FLAT WASHER	02
19	0521011116	COVER PIVOT BUSHING	02
20	0501051927	COVER PIVOT SHAFT ASSY	02
21	0501010984	FLAT WASHER	02
22	0503010026	3/8" NUT	02
23	0503030012	HAIR PIN	01
24	0503010523	1/4" X 2" COTTERPIN	01
25	0503014007	1/2" X 1-1/4" BOLT	03
26	0511017302	FLAT WASHER	03
27	0503010019	1/2" SPRING WASHER	03
28	0503010060	1/2" NUT	03
29	0503010561	SPRING PIN	01
30	0503010001	RIVET POP	02
31	0503011945	503050 CLAMPING RING (FOR AXLE)	01



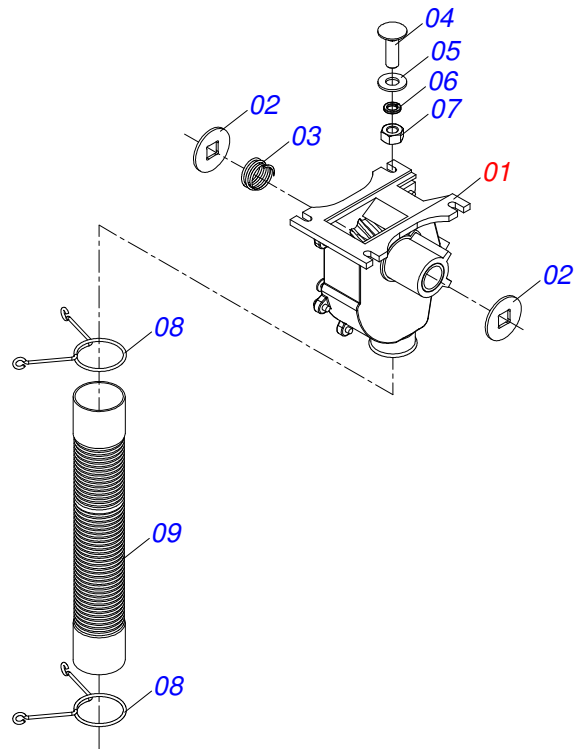
STAC P 500 - 7H/B-PRN/DC/RD/SEM
FINE SEED BOX 06 RIGHT MOUTHS

Page 10
0521052120

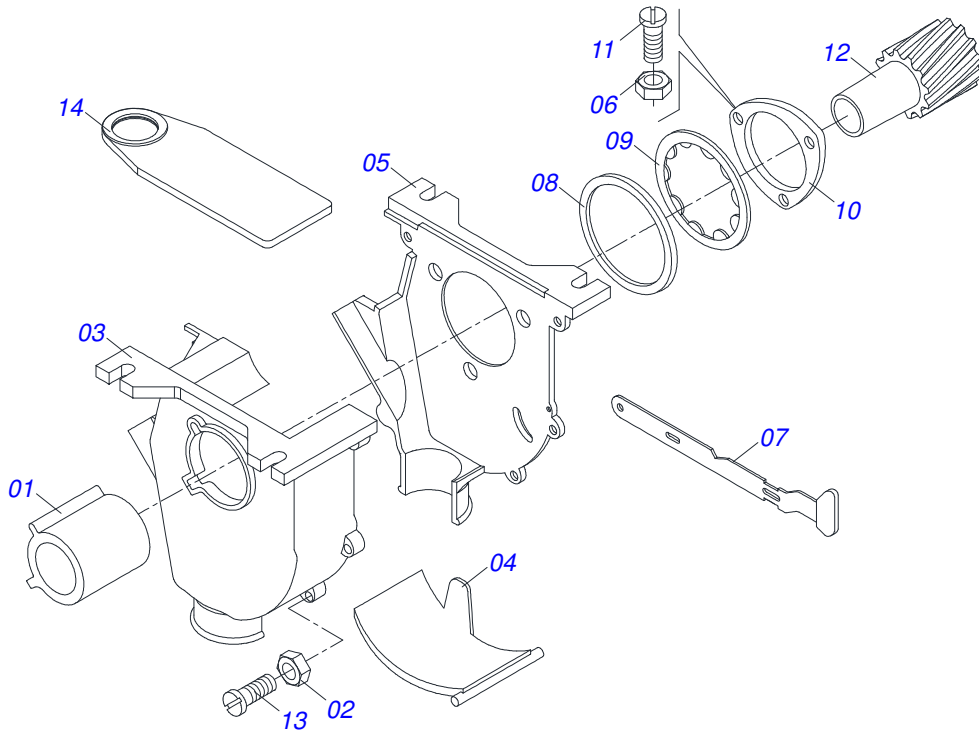
Item	Code	Description	QT
32	0503012104	501015 CLAMPING RING (FOR AXLE)	01
33	0909093761	ASSY FINE SEED DISTRIBUTOR	01
34	0521068766	SIDE HARDWARE	01
35	0503015321	3/8 UNC X 5/8 C S G.2 ZN BOLT	02
36	0503010025	3/8 SPRING WASHER	02



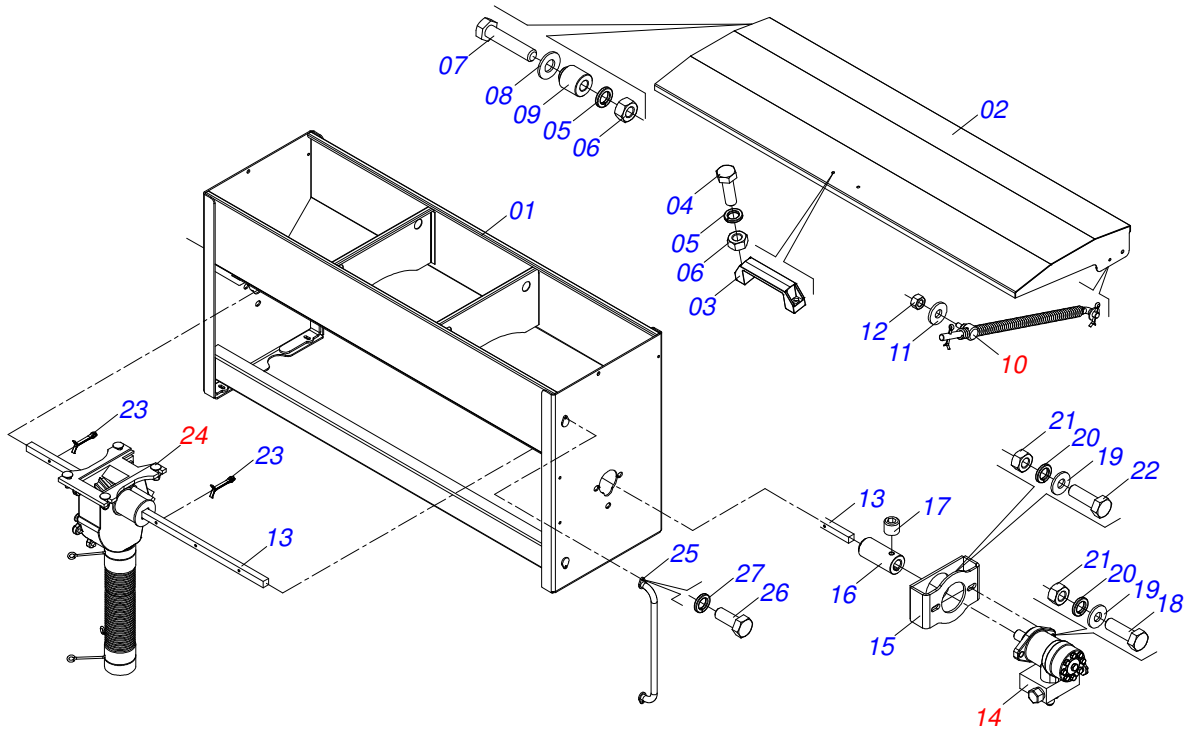
Item	Code	Description	QT
01	0521011120	COVER PIVOT SHAFT	01
02	0501010694	FLAT WASHER	01
03	0503010140	1/8" X 3/4" COTTERPIN	02
04	0503031329	COMPRES SPRING	01
05	0521011117	PIVOT SPRING AXLE	01



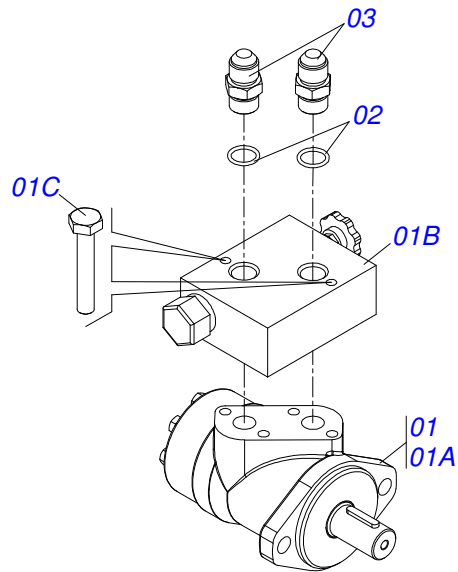
Item	Code	Description	QT
01	0503032990	SEED DISTRIBUTOR BOX	06
02	0541015361	FLAT WASHER	12
03	0503030189	COMPRES SPRING	06
04	0503011953	5/16" X 1" BOLT	24
05	0501010694	FLAT WASHER	24
06	0503010179	SPRING WASHER	24
07	0503010337	5/16" NUT	24
08	0503031076	2" HOSE CLAMP	12
09	0503030195	2" X 2" X 12.2" HOSE	06



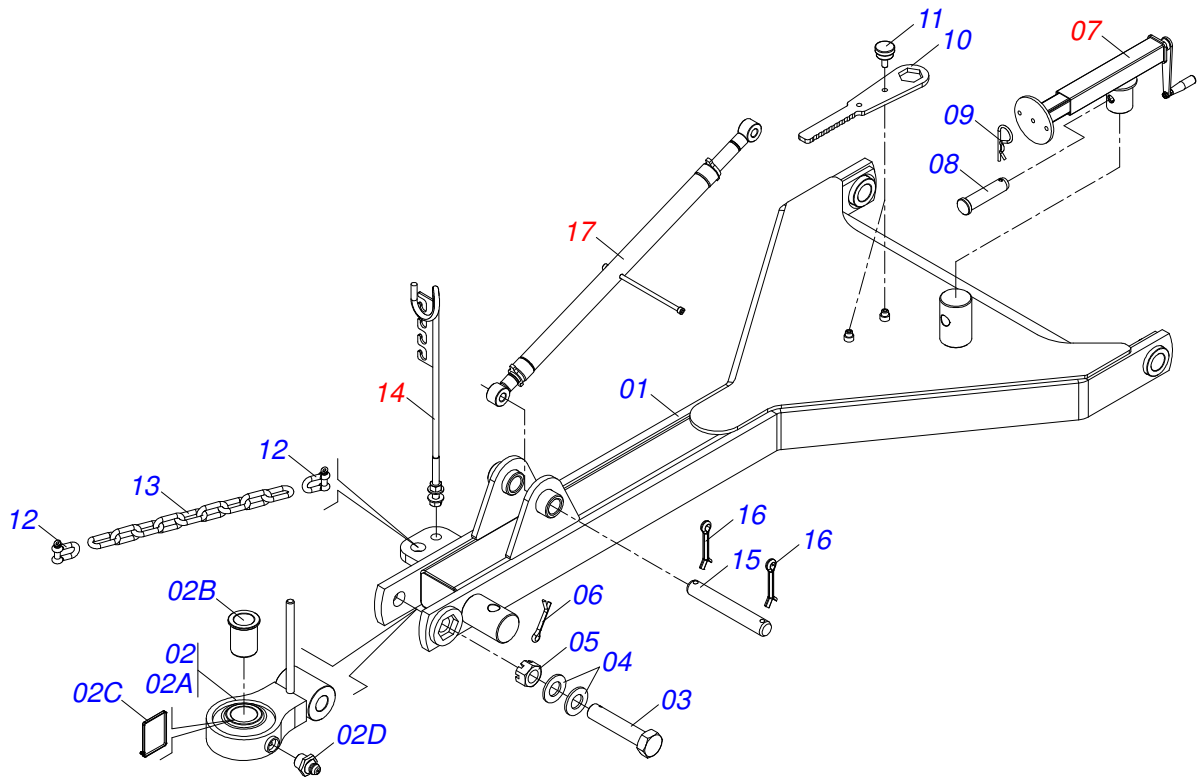
Item	Code	Description	QT
01	0503015222	BUSHING	01
02	0503014540	M6 NUT	01
03	0503015223	LARGER COVER	01
04	0503015224	DISTRIBUTOR	01
05	0503015225	SMALLER COVER	01
06	0503011397	M5 X 0.3" NUT	01
07	0503015226	REGULATOR FLOW	01
08	0503015227	GRAPHITIZED RING	01
09	0503015228	TOOTHED WASHER	01
10	0503015229	TOOTH LOCKWASHER COVER	01
11	0503015230	M5 BOLT	01
12	0503015231	ROTOR	01
13	0503015232	M 6 X 12 BOLT	01
14	0503015233	COVER	01



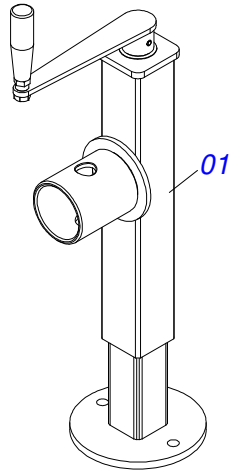
Item	Code	Description	QT
01	0521065714	SEED BOX	01
02	0521065718	BOX COVER	01
03	0503011957	PMC 596-S NYLON LUG	01
04	0503010363	5/16" X 1" BOLT	02
05	0503010179	SPRING WASHER	04
06	0503010337	5/16" NUT	04
07	0503010421	5/16" X 1-1/2" BOLT	02
08	0501010694	FLAT WASHER	02
09	0521011116	COVER PIVOT BUSHING	02
10	0501051927	COVER PIVOT SHAFT ASSY	02
11	0501010984	FLAT WASHER	02
12	0503010026	3/8" NUT	02
13	0571018163	1577 SEED DISTRIBUTOR AXLE	01
14	0501053421	VALVE MOTOR HYDRAULIC ASSY	01
15	0511060346	FIXER MOTOR SUPPORT	01
16	0521063649	SLEEVE COUPLING	01
17	0503011136	1/2" X 1/2" CSI BOLT	01
18	0503010238	1/2" X 1-3/4" BOLT	02
19	0511017302	FLAT WASHER	04
20	0503010019	1/2" SPRING WASHER	04
21	0503010060	1/2" NUT	04
22	0501010161	1/2" X 1.1/4" BOLT	02
23	0503010257	1/8" X 1" COTTERPIN	02
24	0909093761	ASSY FINE SEED DISTRIBUTOR	06
25	0521068766	SIDE HARDWARE	01
26	0503015321	3/8 UNC X 5/8 C S G.2 ZN BOLT	02
27	0503010025	3/8 SPRING WASHER	02



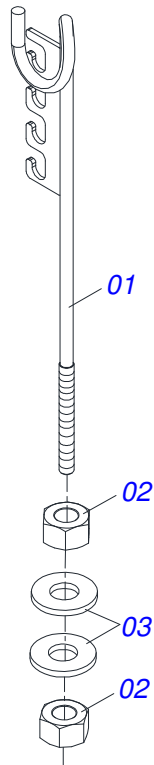
Item	Code	Description	QT
01	0503012829	VALVE HYDRAULIC MOTOR ASSY	01
01A	0503014364	MOTOR W/ AXLE	01
01B	0503014365	VALVE	01
01C	0503010373	1/4" X 2" BOLT	02
02	0503010045	2-116 N 3006-9B O'RING	02
03	0501010590	7/8" REDUCTION NIPPLE	02



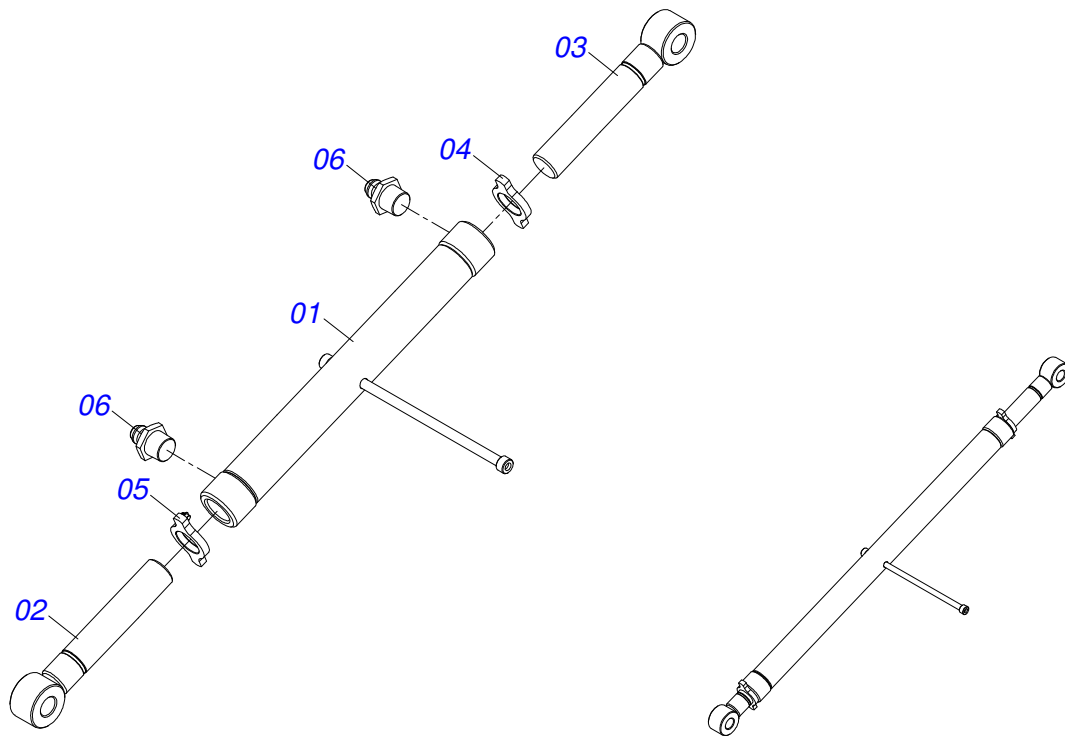
Item	Code	Description	QT
01	0521068328	DRAWBAR NO HITCH	01
02	0521047594	HITCH FIXED WITH TRACTOR	01
02A	0521068101	HITCH TRACTOR	01
02B	0581012984	41,00 X 52,97 SLEEVE	01
02C	0503016033	4,8 X 1,3 X 300 MM NYLON CLAMP	01
02D	0503010002	1800 GREASE FITTING	01
03	0581015973	1.1/4 UNC X 8 C S G5 SCREW	01
04	0501017779	FLAT WASHER	02
05	0503013026	1.1/4" CASTLE NUT	01
06	0503010010	1/4" X 2.1/2" COTTERPIN	01
07	0511048088	DRAWBAR JACK	01
08	0561014251	COUPLING SHAFT	01
09	0503030285	HAIR PIN	01
10	0581015974	REGULATOR KEY	01
11	0503010386	CABLE	02
12	0503014321	CABLE STEEL SHACKLE	02
13	0503014120	CHAIN	01
14	0501040257	3/4 X 1200 HOSE HOLDER A	01
15	0581015980	31,75 X 210 PIN	01
16	0503010534	3/8 X 2-1/2 COTTERPIN	02
17	0521051094	ASSY EXTENSOR	01



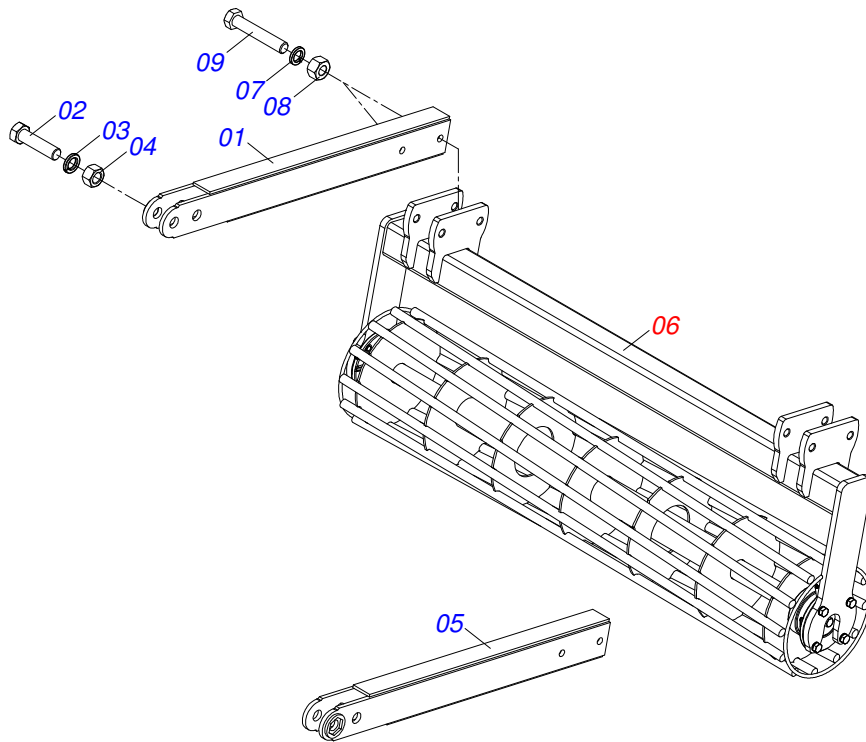
Item	Code	Description	QT
01	0503062227	DRAWBAR JACK	01



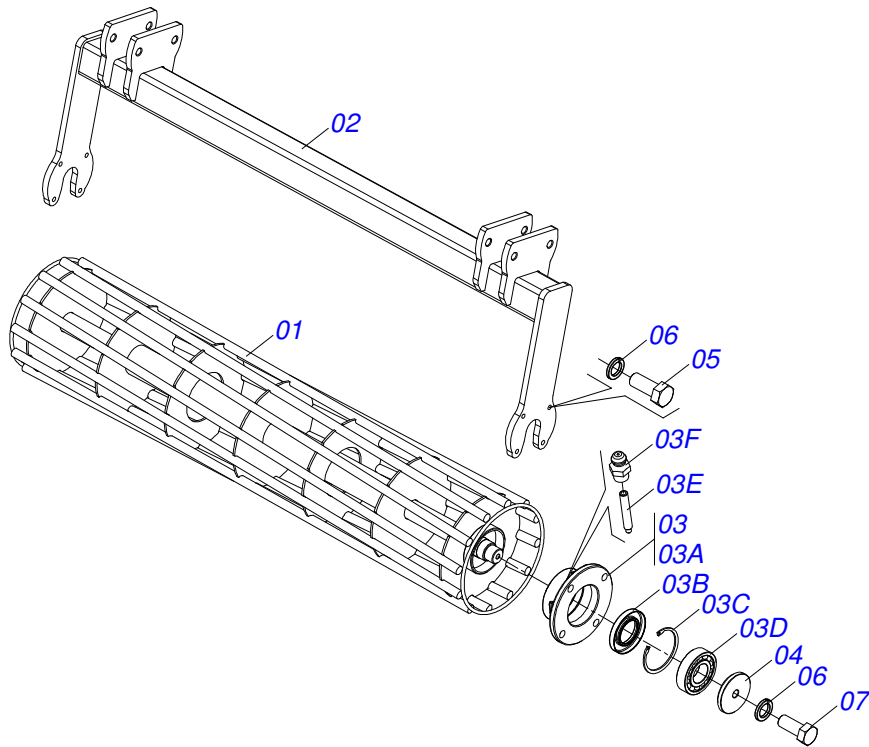
Item	Code	Description	QT
01	0511067334	HOSE SOPPORT ASSY	01
02	0503010014	3/4" NUT	02
03	0501010322	FLAT WASHER	02



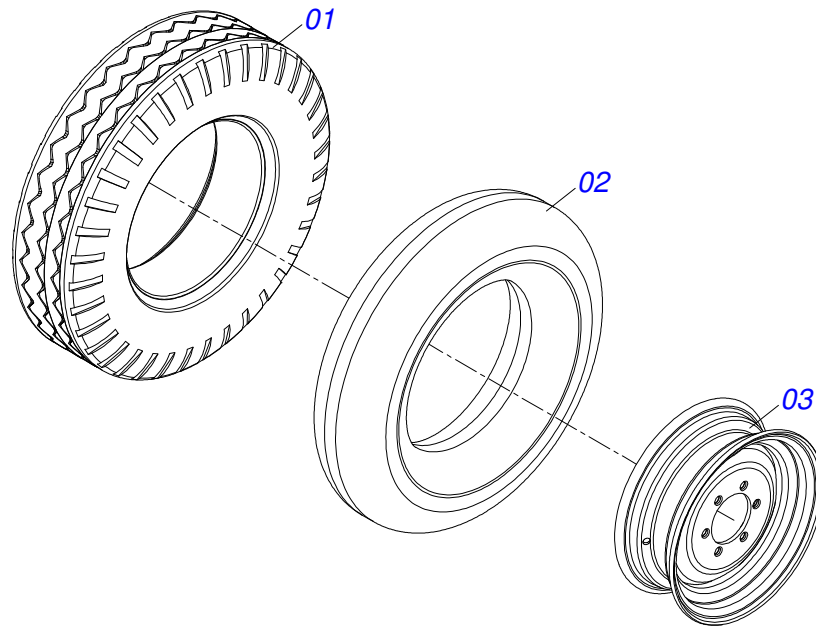
Item	Code	Description	QT
01	0511060740	TURNBUCKLE	01
02	0521068329	EXTENSOR RIGHT FUSER	01
03	0521068330	EXTENSOR LEFT FUSER	01
04	0561019304	LEFT LOCKNUT	01
05	0561019303	RIGHT LOCKNUT	01
06	0503010002	1800 GREASE FITTING	02



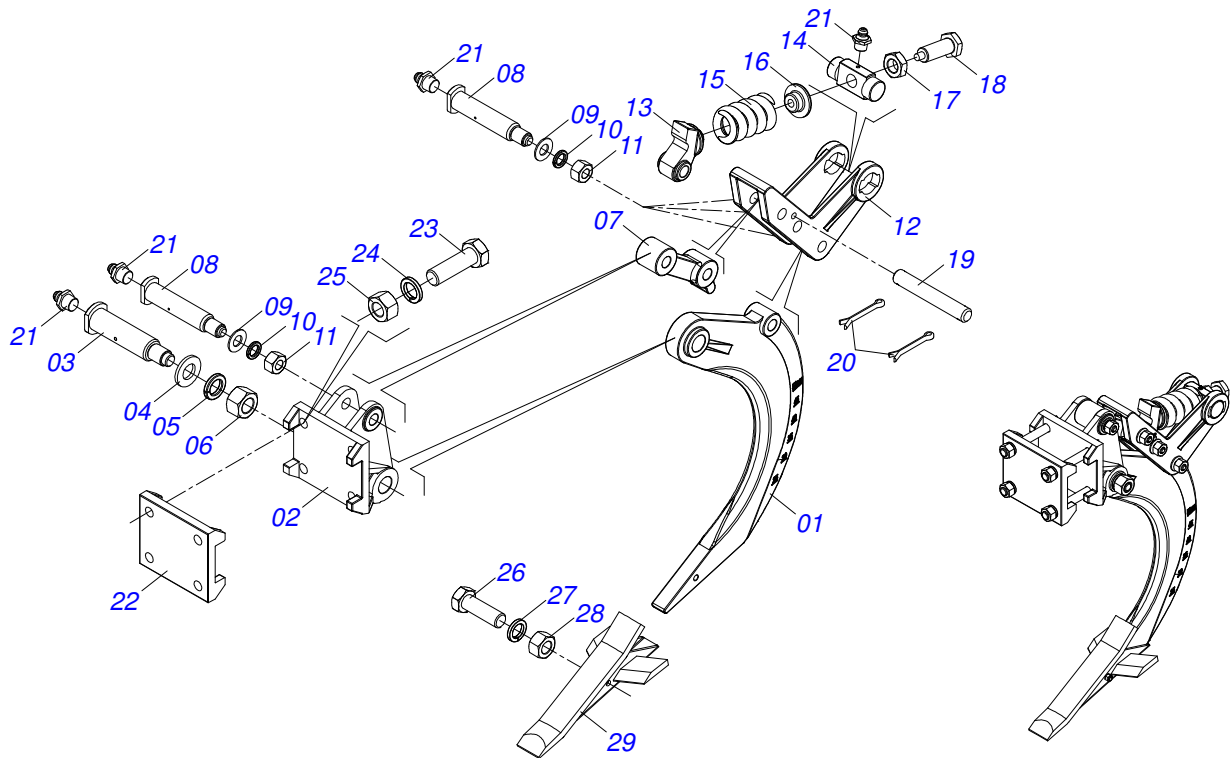
Item	Code	Description	QT
01	0521061461	ROLLER RIGHT ARM	01
02	0503012529	1-1/4" X 4-3/4" BOLT	02
03	0503010070	SPRING WASHER	02
04	0503012181	1.1/4" NUT	02
05	0521061455	LEFT ROLLER ARM	01
06	0511050526	ROLL WILH FULL SUPPORTE	01
07	0503010023	SPRING WASHER	04
08	0503010014	3/4" NUT	04
09	0503013185	3/4" X 5-1/2" BOLT	04
10	0503032930	ADHESIVE LABEL DANGER	04
11	0503013229	LATERAL BAND	01



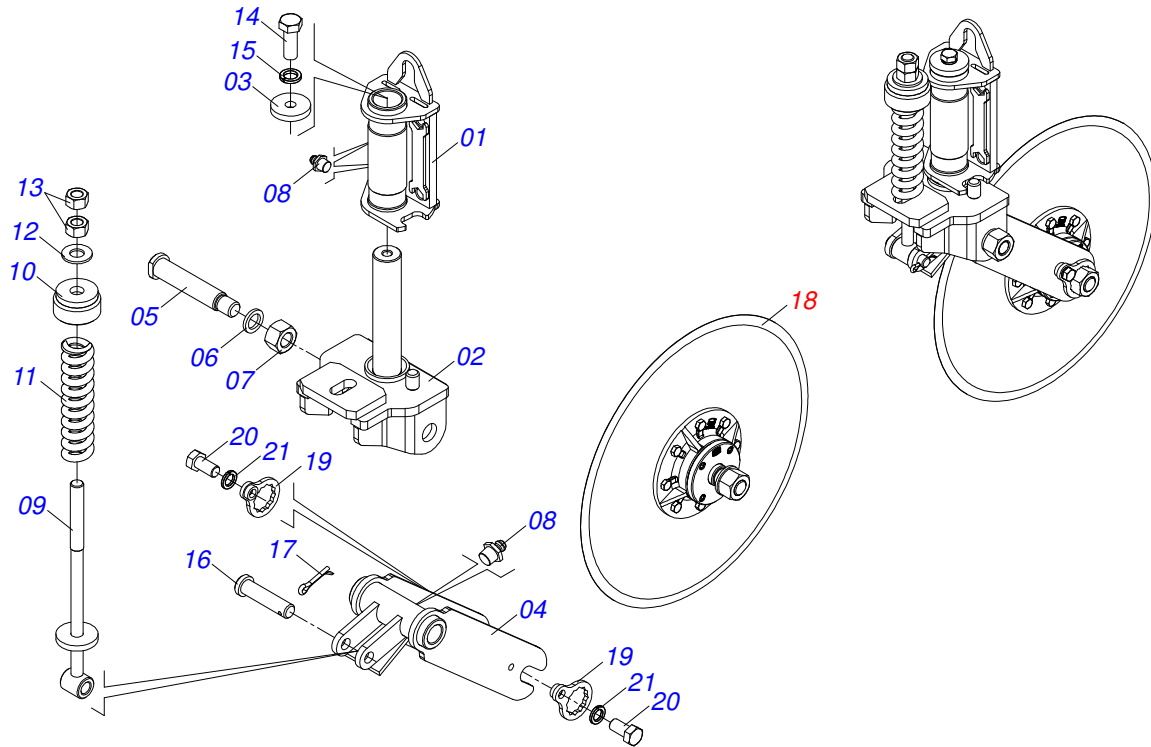
Item	Code	Description	QT
01	0511062332	BREAK ROLLER	01
02	0511064511	BREAK ROLLER FORK	01
03	0501052622	BOX BREAK ROLLER	02
03A	0521016749	BOX BREAK ROLLER	01
03B	0503011418	01669-BR SEAL	01
03C	0503011420	502100 CLAMPING RING (FOR AXLE)	01
03D	0503012107	BALL BEARING	01
03E	0503031394	EXTENSION GREASE FITTING	01
03F	0503010691	1/4" GREASE FITTING	01
04	0521016751	ROLLFIXER CUBE	02
05	0503011267	5/8" X 1.1/2" BOLT	08
06	0503010027	SPRING WASHER	10
07	0503010962	5/8" X 1-1/4" BOLT	02



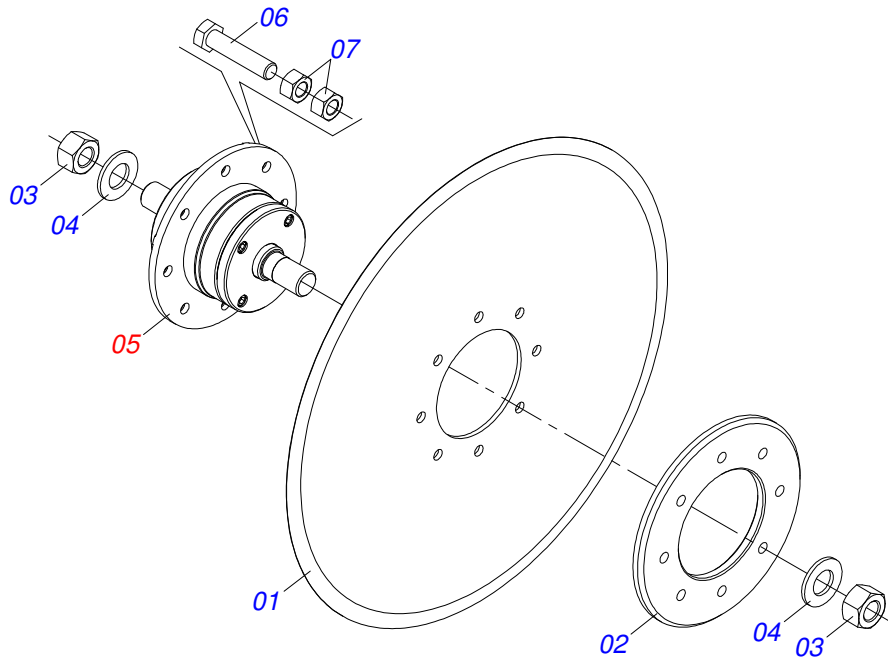
Item	Code	Description	QT
01	0503012864	TYRE	01
02	0503010033	7.50 X 16 INNER TIRE	01
03	0521062708	WHEEL 5,50 X 16 X 118 X 6F 16,50 X 152,40	01



Item	Code	Description	QT
001	0502012546	SPINDLE	01
002	0502012549	ROD SUPPORT	01
003	0521017254	PIN ARTICULATION	01
004	0501010086	FLAT WASHER	01
005	0503011439	1.1/4" SPRING WASHER	01
006	0503010352	1.1/4" UNF NUT	01
007	0502040792	UPPER ARM DISARM	01
008	0521017255	DISARMMENT PIN CCQ 21700DA 3954591	04
009	0501010076	FLAT WASHER	04
010	0503011447	SPRING WASHER	04
011	0503010417	7/8" NUT	04
012	0502012550	LOWER ARM DISARM	01
013	0502040791	HITCH DISARM	01
014	0502012547	SUPPORT BOLT	01
015	0503031882	SPRING	01
016	0521017340	SPRING GUIDE	01
017	0503012670	LOCKNUT 1-1/2"	01
018	0521017339	REGULATION BOLT	01
019	0521017338	PIN LOCK CACC 32600 4081632 ZN	01
020	0503010362	1/8" X 1.1/4" COTTERPIN	02
021	0503010002	1800 GREASE FITTING	06
022	1902012548	ASSY FIXER STEM	01
023	0503013137	1" X 8" BOLT	04
024	0503011438	SPRING WASHER	04
025	0503012182	1" NUT	04
026	0503010479	1/2" X 3" BOLT	01
027	0503011440	SPRING WASHER	01
028	0503010060	1/2" NUT	01
029	0521068065	POINT SUBSOILER	01

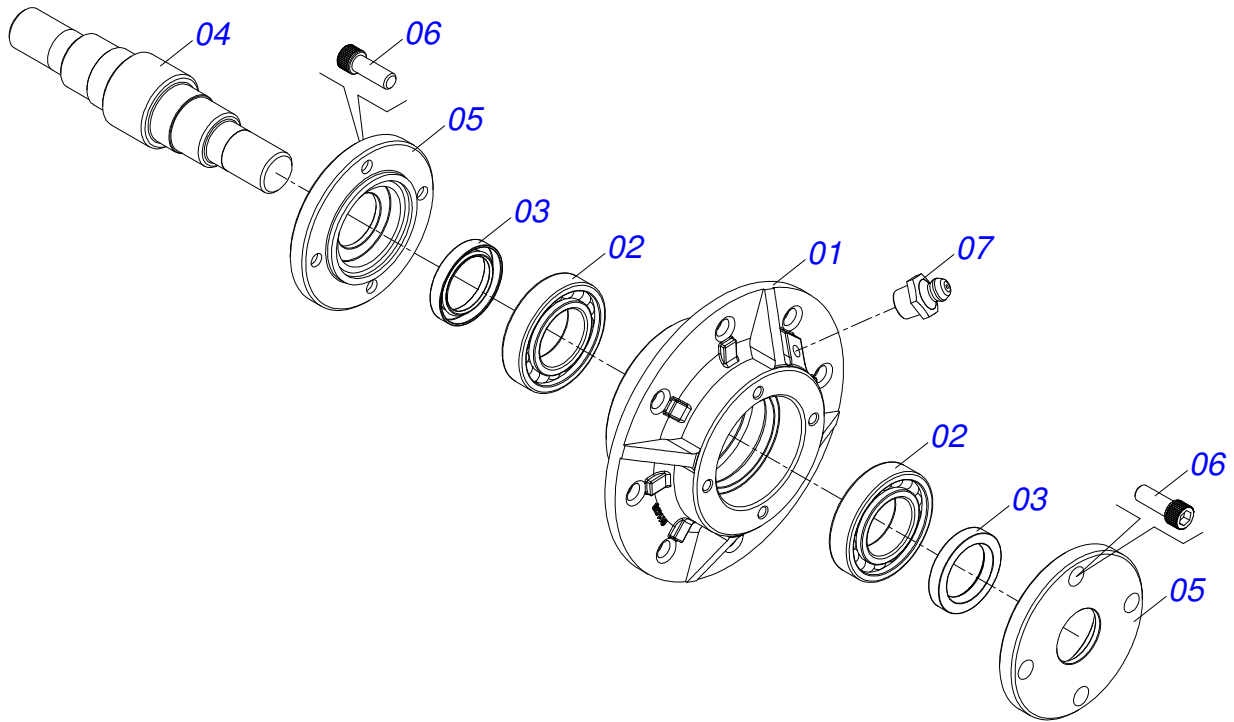


Item	Code	Description	QT
01	0501069386	BLADE DISC SUPPORT	01
02	0511061619	SWIVEL BASE	01
03	0521012660	WASHER	01
04	0511061618	BLADE DISC FORK	01
05	0521012662	ROTATIVE AXLE FIXER FORK BASE	01
06	0521012664	FLAT WASHER	01
07	0501010087	1.1/4" NUT	01
08	0503010002	1800 GREASE FITTING	03
09	0511061612	ROD SPRING	01
10	0511062801	SPRING SLEEVE FIXER	01
11	0503031593	SPRING	01
12	0501010065	1" SPRING WASHER	01
13	0503012182	1" NUT	02
14	0501010098	HEX BOLT 3/4 UNC X 2 C S G.5 ZN	01
15	0503011442	3/4" SPRING WASHER	01
16	0521012659	SPRING ROD AXLE FIXER	01
17	0503010571	1/4" X 1.1/2 COTTERPIN	01
18	0501052013	24" BLADE DISC WITH HOUSING	01
19	0501069637	AXLE NUT LOCK	02
20	0503010962	5/8" X 1-1/4" BOLT	02
21	0503011445	SPRING WASHER	02

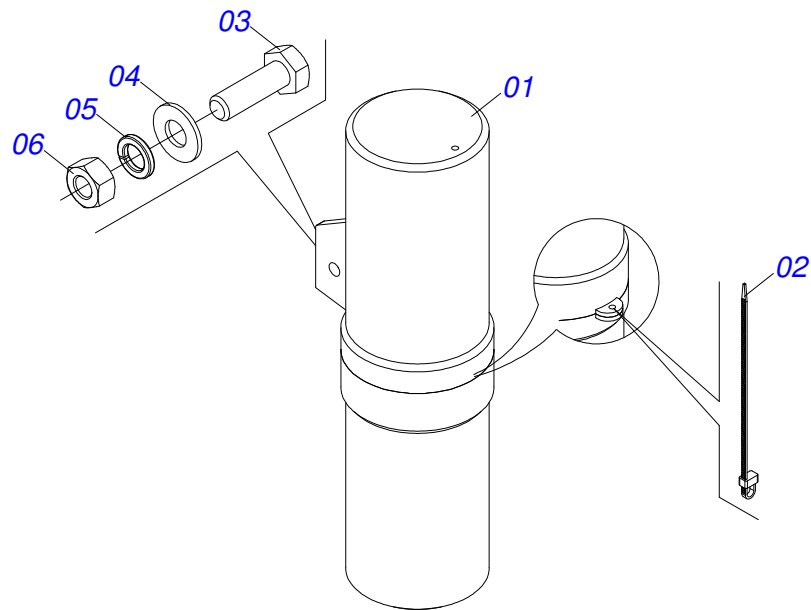


Item	Code	Description	QT
01	0603030044	24" X 0.2" FLAT PLAIN DISC	01
02	0521011824	BLADE DISC FLANGE OUTER	01
03	0501010087	1.1/4" NUT	02
04	0501017779	FLAT WASHER	02
05	0501057526	DISC HUB	01
06	0503010905	1/2" X 2-1/4" BOLT	08
07	0503010060	1/2" NUT	16

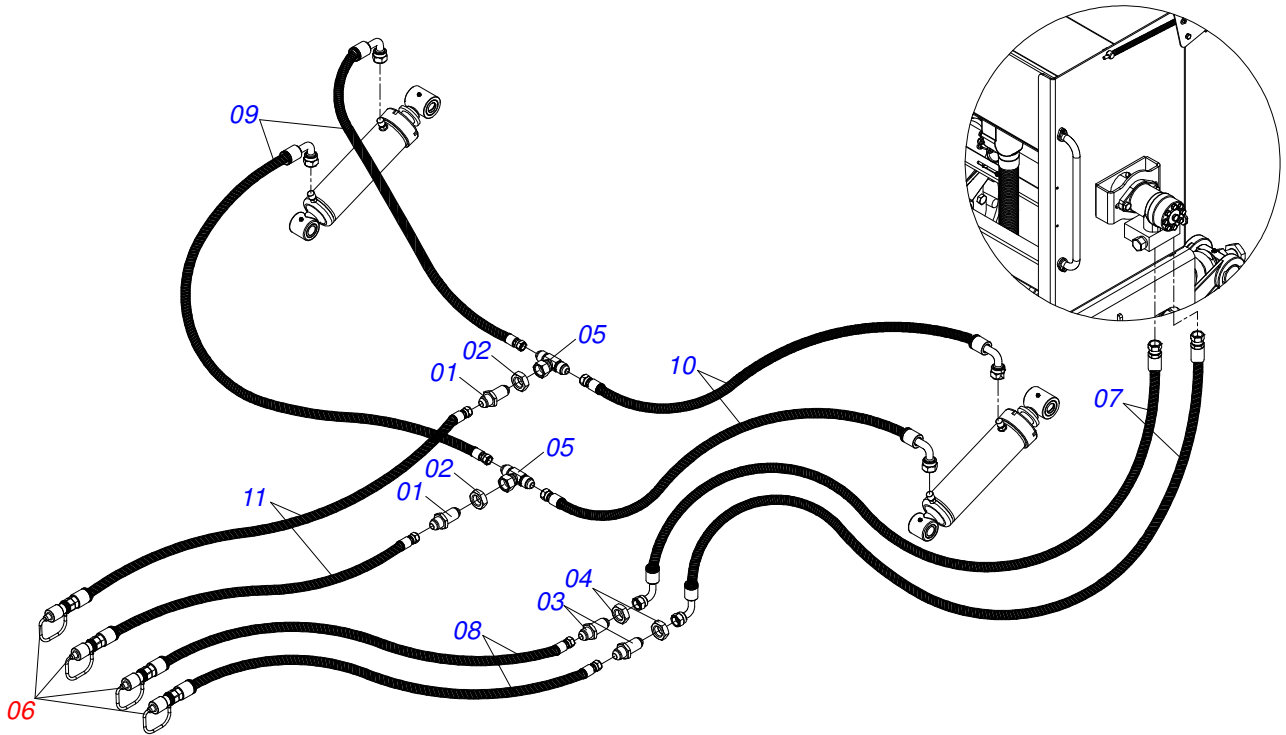
DISC HUB



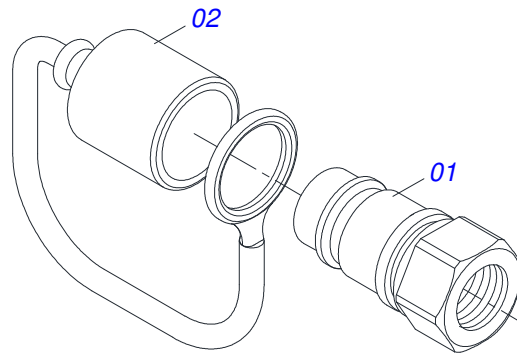
Item	Code	Description	QT
01	0502011478	DISC HUB	01
02	0503011291	6209 BALL BEARING	02
03	0503012106	00521-BR SEAL	02
04	0521012661	BLADE DISC AXLE HUB	01
05	0502011477	BLADE DISC HOUSIG CP	02
06	0503010134	3/8" X 1" BOLT	08
07	0503010002	1800 GREASE FITTING	01



Item	Code	Description	QT
01	0503060100	HAND BOOK COMPARTMENT	01
02	0503010267	NYLON CLAMP	01
03	0503010363	5/16" X 1" BOLT	01
04	0501010694	FLAT WASHER	01
05	0503010179	SPRING WASHER	01
06	0503010337	5/16" NUT	01



Item	Code	Description	QT
01	0541012165	3/4" NIPPLE	02
02	0571018575	NUT - R.3/4" UNF 16FPP X 10	02
03	0551015623	7/8 NIPPLE	02
04	0551015159	NUT HEX X 38.1 R7 / 8 UNF	02
05	0503037376	T ADAPTER WITH NUT	02
06	0501053834	MALE QUICK COUPLING AGRICULTURAL WITH COVER - 1/2 NPT	04
07	0501080277	1/2 X 4000 TR-TC HOSE	02
08	0501081238	1/2 X 3700 TR-TM - HOSE	02
09	0501080419	TR-TC HOSE ASSY	02
10	0501080025	TR-TC HOSE ASSY	02
11	0501080528	3/8 X 3700 TR-TM HOSE	02



Item	Code	Description	QT
01	0503011627	QUICK CONNECTION (MALE) AGR 1/2 NPT	01
02	0503011882	QUICK CONNECTION COVER	01



email: civemasa@civemasa.com.br

www.civemasa.com.br

Phone: +55 16.3382.8222

Fax: +55 16.3382.8355

MARCHESAN IMPLEMENTOS E MÁQUINAS AGRÍCOLAS "TATU" S.A.

Av. Marchesan, 1979 - Post Office box, 131 - Cep 15994-900 - Matão - Sp - Brasil

CNPJ 52.311.289/0001-63 | Inst. Est.441.000.151.114

Technical Publications: Elaboration

ALESSANDRA PATRICIA KAWAHARA CARRILI

Technical Publications: Revision

ALESSANDRA PATRICIA KAWAHARA CARRILI

Contact Catálogo:

E-mail = jgaspari@marchesan.com.br

ORIGINAIS PARTS
CIVEMASA

