

# ***PARTS CATALOGUE***

## **DISK HARROWS**

**GAC**

**Code: 0501092136**



**Series: S-0505**

**Rev.: 00**

**Date Rev.: SETEMBRO/2018**

**ORIGINAL PARTS  
CIVEMASA**

***civemasa***

# PRODUCTS

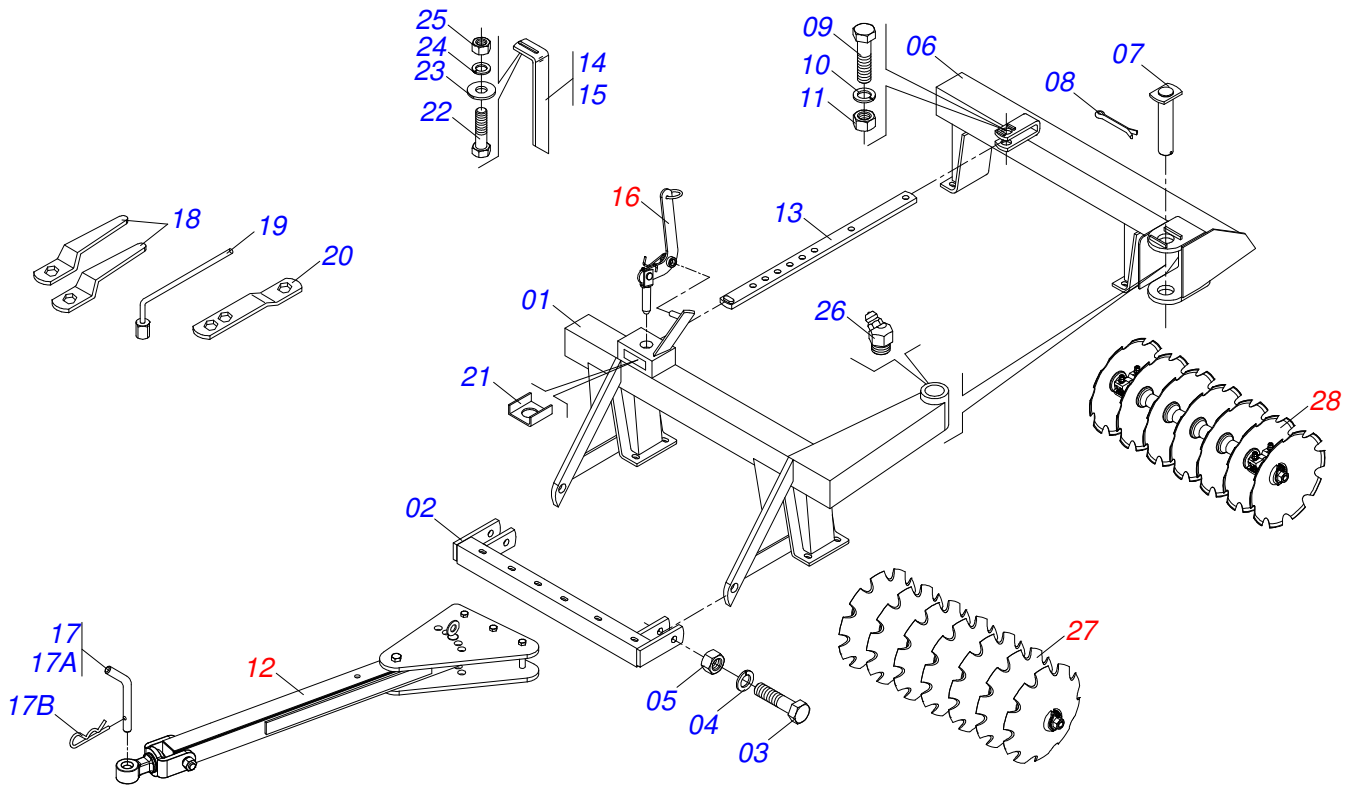
Code	Description
0121020001	GAC 12 X 24 X 6,00 R DM 61490019
0121020008	GAC 12 X 26 X 6,00 R DM 61490083
0121020002	GAC 14 X 24 X 6,00 R DM 61490029
0121020009	GAC 14 X 26 X 6,00 R DM 61490092
0121020029	GAC 16 X 24 X 6,00 R CM 61490294
0121020003	GAC 16 X 24 X 6,00 R DM 61490038
0121020010	GAC 16 X 26 X 6,00 R DM 61490101
0121020004	GAC 18 X 24 X 6,00 R DM 61490047
0121020011	GAC 18 X 26 X 6,00 R DM 61490110
0121020005	GAC 20 X 24 X 6,00 R DM 61490056
0121020012	GAC 20 X 26 X 6,00 R DM 61490129
0121020006	GAC 22 X 24 X 6,00 R DM 61490065
0121020013	GAC 22 X 26 X 6,00 R DM 61490139
0121020007	GAC 24 X 24 X 6,00 R DM 61490074
0121020014	GAC 24 X 26 X 6,00 R DM 61490148

## ATTENTION: **IMPORTANT**

*CIVEMASA RESERVES THE RIGHT AT ANY TIME TO MAKE IMPROVEMENTS IN THE DESIGN, MATERIAL OR SPECIFICATIONS OF MACHINERY, EQUIPMENT OR PARTS WITHOUT THEREBY BECOMING LIABLE TO MAKE SIMILAR CHANGES IN MACHINERY, EQUIPMENT OR PARTS PREVIOUSLY SOLD.*

# INDEX

0909094895	12/14/16D - ASSY FRAME	.....	1
0909094896	18/20/22/24D - ASSY FRAME	.....	2
0501042816	DRAWBAR ASSY	.....	3
0501047858	ADJUSTMENT LEVER ASSY	.....	4
0909094897	12/14/16D - FRONT DISC SECTION	.....	5
0909094898	12/14/16D - REAR DISC SECTION	.....	6
0909093806	18D - FRONT DISC SECTION	.....	7
0909093807	18D - REAR DISC SECTION	.....	8
0909093804	20/22/24D - FRONT DISC SECTION	.....	9
0909093805	20/22/24D - REAR DISC SECTION	.....	10
0501046914	CM GX 9" 1-5/8" SD PR BEARING ASSY	.....	11
0501046923	9"X 1-5/8" OIL BATH BEARING	.....	12

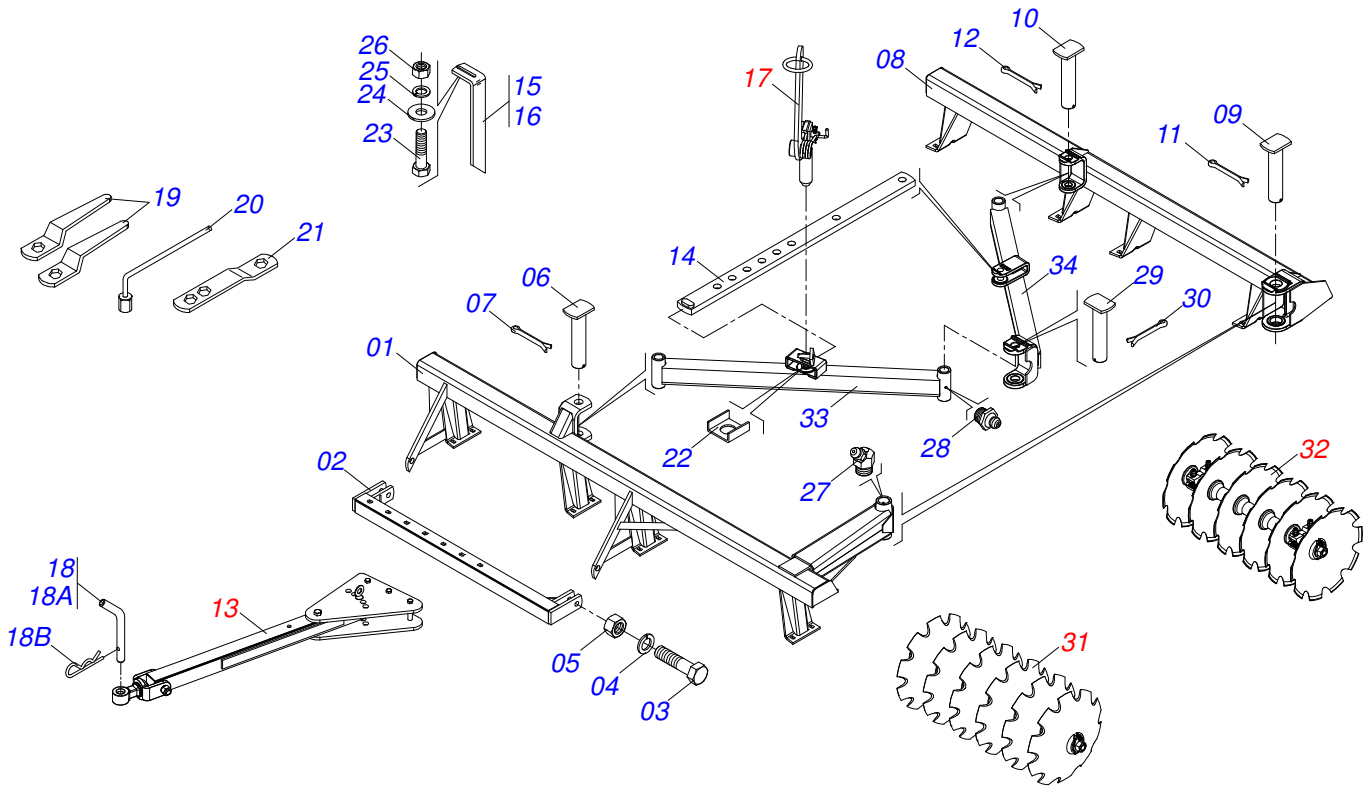


Item	Code	Description	012	014	016
01	0501064187	FRONT FRAME	001	000	000
01.	0501064191	FRAME FRONT	000	001	000
01..	0501063210	FRAME FRONT	000	000	001
02	0501064203	OFFSET BAR	001	000	000
02.	0501064204	OFFSET BAR	000	001	000
02..	0501064202	OFFSET BAR	000	000	001
03	0501011547	1" X 4-1/2" BOLT	002	002	002
04	0503011438	SPRING WASHER	002	002	002
05	0501010059	1.5/8 NUT	002	002	002
06	0501064186	REAR FRAME	001	000	000
06.	0501064190	REAR FRAME	000	001	000
06..	0501063036	REAR FRAME	000	000	001
07	0501065487	2.4" X 123" COUPLING SHAFT	001	001	001
08	0503010073	3/8 X 3-1/2 COTTERPIN	001	001	001
09	0503011432	1" X 4" BOLT	001	001	001
10	0503011438	SPRING WASHER	001	001	001
11	0501010059	1.5/8 NUT	001	001	001
12	0501042816	DRAWBAR ASSY	001	001	001
13	0501064196	ADJUSTMENT BAR	001	001	001
14	0501064168	REAR SCRAPER	003	004	004
15	0501064167	REAR SCRAPER	003	004	004
16	0501047858	ADJUSTMENT LEVER ASSY	001	001	001
17	0501040343	DDRAWBOLT ASSY	001	001	001
17A	0521010453	GCOUPLING SHAFT	001	001	001
17B	0503031035	HAIR PIN	001	001	001
18	0501011431	1-3/4" GANG BOLT WRENCH	002	002	002
19	0503016140	3/4" WRENCH CABLE CYLINDRICAL	001	001	001
20	0511018451	5/8" X 3/4" X 1" UNIVERSAL	001	001	001
21	0501011649	U 1.2" X 3.1" X 3/16" BAR	001	001	001
22	0503011082	C1/2" X 1.3/4" BOLT	012	016	016
23	0511017302	FLAT WASHER	012	016	016
24	0503010019	1/2" SPRING WASHER	012	016	016
25	0503010060	1/2" NUT	012	016	016



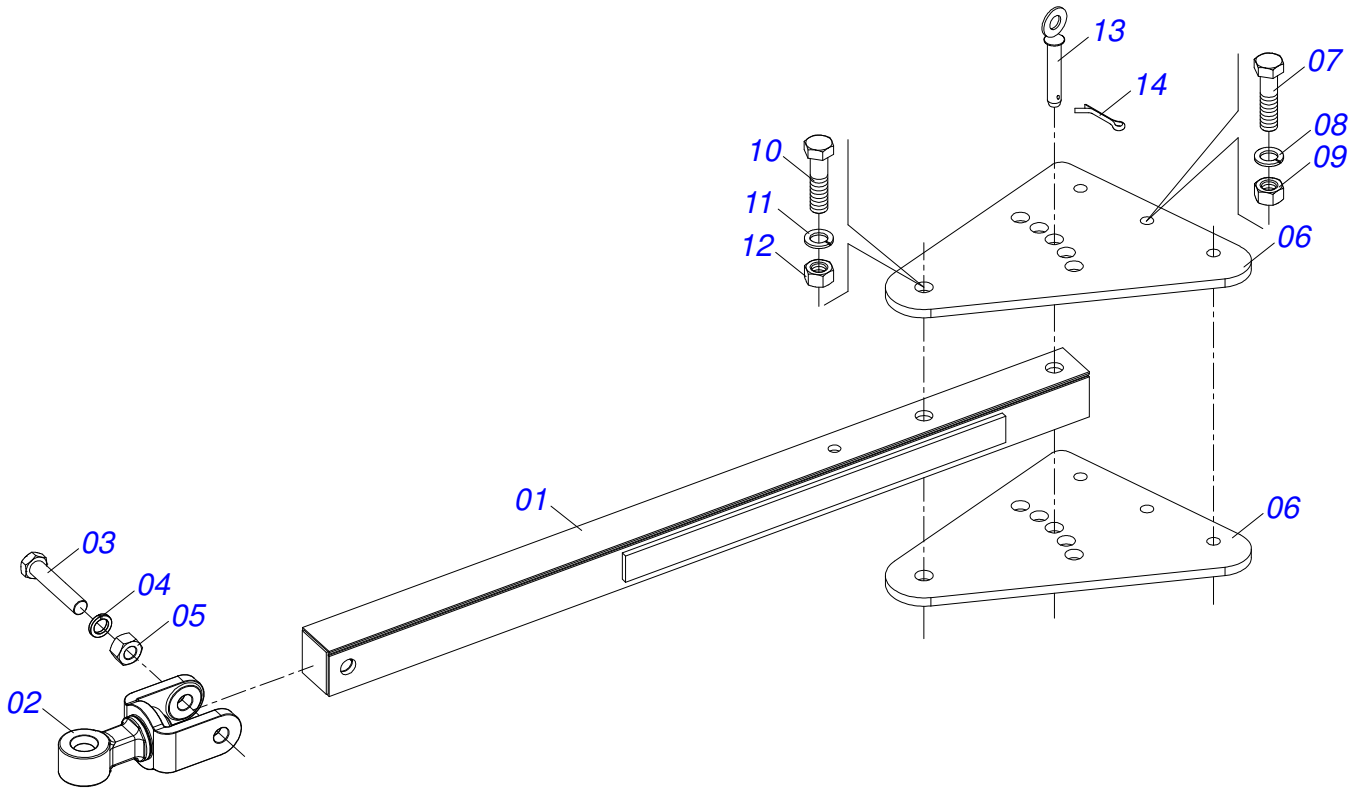
GAC  
12/14/16D - ASSY FRAME

Item	Code	Description	012	014	016
26	0503010003	1845 GREASE FITTING	001	001	001
27	0909094897	12/14/16D - FRONT DISC SECTION	001	001	001
28	0909094898	12/14/16D - REAR DISC SECTION	001	001	001



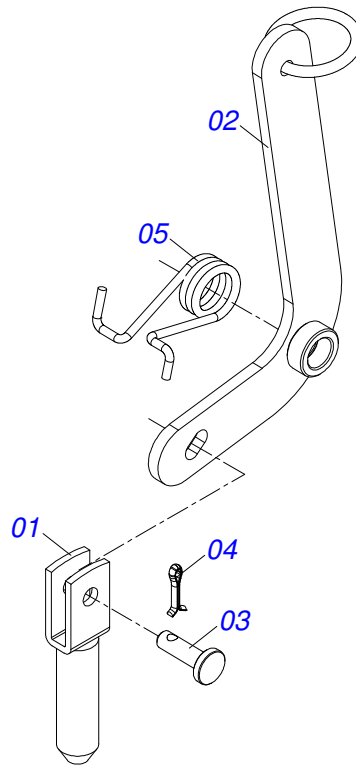
Item	Code	Description	018	020	022	024
01	0501063240	FRONT FRAME	001	000	000	000
01.	0501062515	FRONT FRAME	000	001	000	000
01..	0501062343	FRONT FRAME	000	000	001	000
01...	0501062499	FRONT FRAME	000	000	000	001
02	0501064203	OFFSET BAR	001	000	000	000
02.	0501064204	OFFSET BAR	000	001	000	000
02..	0501064205	OFFSET BAR	000	000	001	001
03	0501011547	1" X 4-1/2" BOLT	002	002	002	002
04	0503011438	SPRING WASHER	002	002	002	002
05	0501010059	1.5/8 NUT	002	002	002	002
06	0521010644	1.5" X 8.4" COUPLING SHAFT	002	001	001	001
07	0503010534	3/8 X 2-1/2 COTTERPIN	002	001	001	001
08	0501062792	REAR FRAME	001	000	000	000
08.	0501062514	REAR FRAME	000	001	000	000
08..	0501062315	REAR FRAME	000	000	001	000
08...	0501062512	REAR FRAME	000	000	000	001
09	0501065487	2.4" X 123" COUPLING SHAFT	001	001	001	001
10	0521010644	1.5" X 8.4" COUPLING SHAFT	001	001	001	001
11	0503010073	3/8 X 3-1/2 COTTERPIN	001	001	001	002
12	0503010534	3/8 X 2-1/2 COTTERPIN	001	001	001	000
13	0501042816	DRAWBAR ASSY	001	001	001	001
14	0501064197	38" ADJUSTMENT BAR	001	001	001	001
15	0501064168	REAR SCRAPER	005	005	006	007
16	0501064167	REAR SCRAPER	005	005	006	007
17	0501047858	ADJUSTMENT LEVER ASSY	001	001	001	001
18	0501040343	DDRAWBOLT ASSY	001	001	001	001
18A	0521010453	GCOUPLING SHAFT	001	001	001	001
18B	0503031035	HAIR PIN	001	001	001	001
19	0501011431	1-3/4" GANG BOLT WRENCH	002	002	002	002
20	0503016140	3/4" WRENCH CABLE CYLINDRICAL	001	001	001	001
21	0511018451	5/8" X 3/4" X 1" UNIVERSAL	001	001	001	001
22	0501011649	U 1.2" X 3.1" X 3/16" BAR	001	001	001	001
23	0503010740	1/2" X 2" BOLT	008	012	016	024

Item	Code	Description	018	020	022	024
24	0511017302	FLAT WASHER	008	012	016	016
25	0503010019	1/2" SPRING WASHER	008	012	016	016
26	0503010060	1/2" NUT	008	012	016	016
27	0503010003	1845 GREASE FITTING	001	001	001	001
28	0503010002	1800 GREASE FITTING	003	003	003	003
29	0521010644	1.5" X 8.4" COUPLING SHAFT	001	001	001	001
30	0503010534	3/8 X 2-1/2 COTTERPIN	001	001	001	001
31	0909093806	18D - FRONT DISC SECTION	001	000	000	000
31.	0909093804	20/22/24D - FRONT DISC SECTION	000	001	001	001
32	0909093807	18D - REAR DISC SECTION	001	000	000	000
32.	0909093805	20/22/24D - REAR DISC SECTION	000	001	001	001
33	0501062506	FRONT STABILIZER BAR	001	001	001	001
34	0501062508	REAR STABILIZER BAR	001	001	001	001

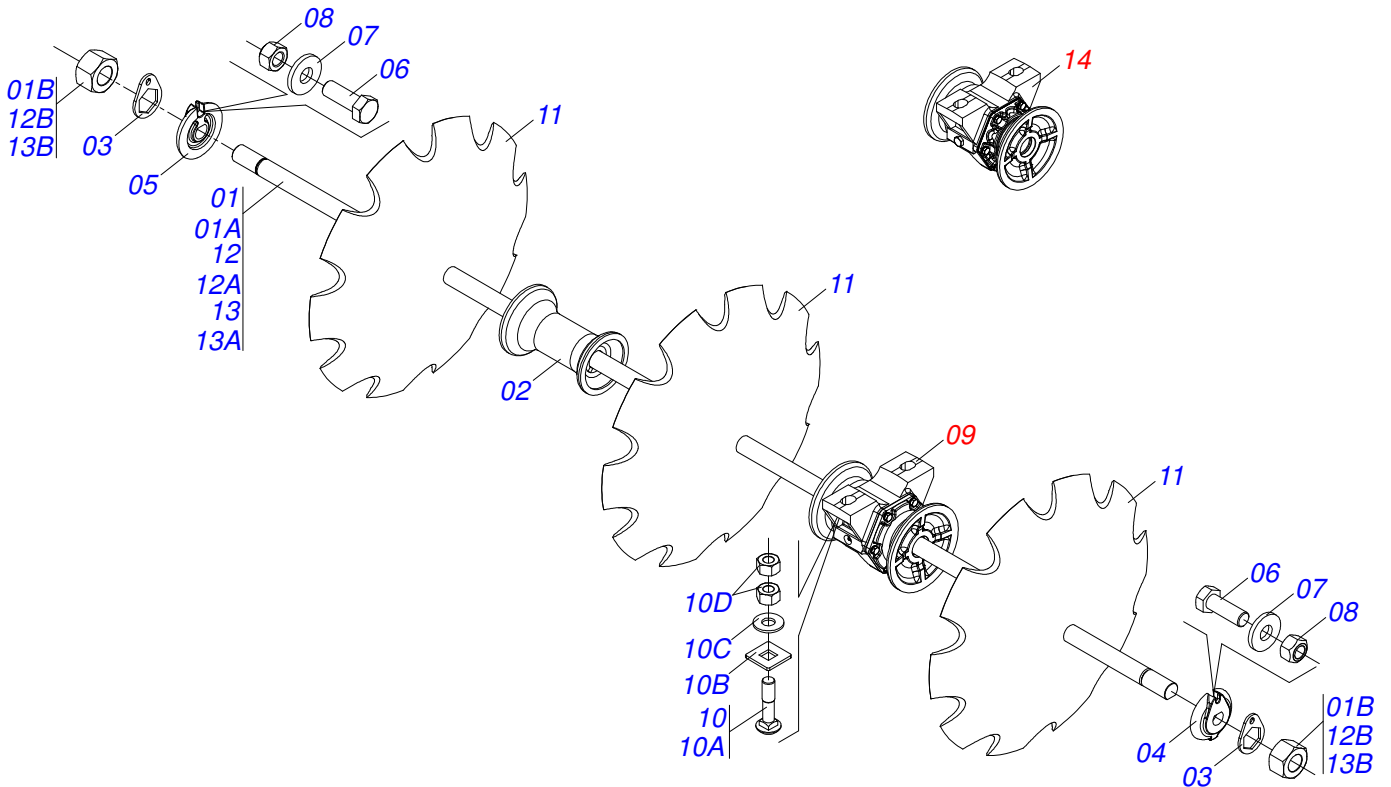


Item	Code	Description	QT
01	0501060188	DRAWBAR ASSY	01
02	0521061775	TRACTOR HITCH	01
03	0501010060	1" X 6-1/2" BOLT	01
04	0503011438	SPRING WASHER	01
05	0501010059	1.5/8 NUT	01
06	0501010241	UPPER /LOWER PLATE	02
07	0503011198	C3/4" X 6" BOLT	03
08	0503011442	3/4" SPRING WASHER	03
09	0503010014	3/4" NUT	03
10	0501010191	1" X 6" BOLT	01
11	0503011438	SPRING WASHER	01
12	0501010059	1.5/8 NUT	01
13	0501068993	0.9" X 5.5" COUPLING SHAFT	01
14	0503010571	1/4" X 1.1/2 COTTERPIN	01

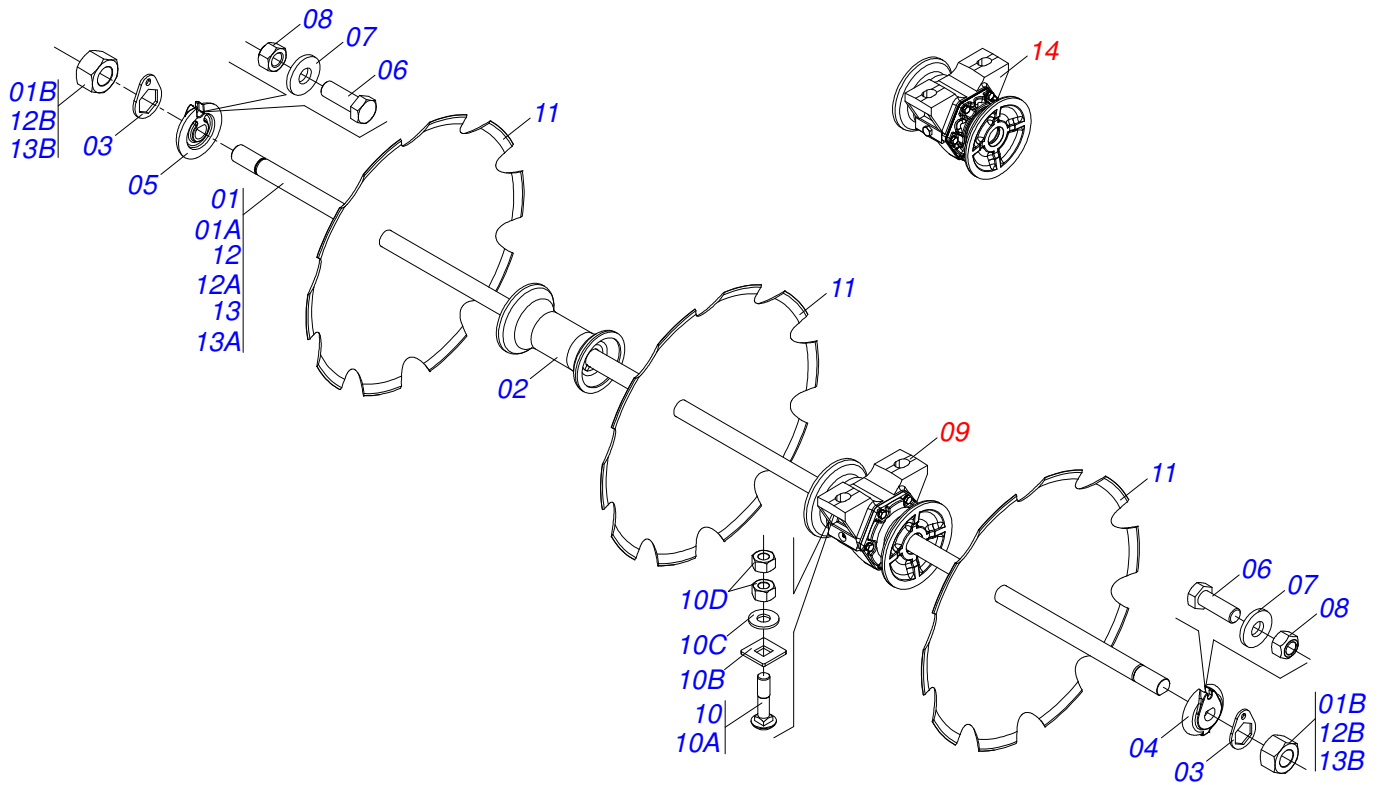




Item	Code	Description	QT
01	0501060185	ADJUSTMENT LOCK	01
02	0501068981	ADJUSTMENT LEVER	01
03	0521010624	0.4" X 1.5" COUPLING SHAFT	01
04	0503010071	3/16" X 1" COTTERPIN	01
05	0503030025	1.4" X 0.2" TORSION SPRING	01

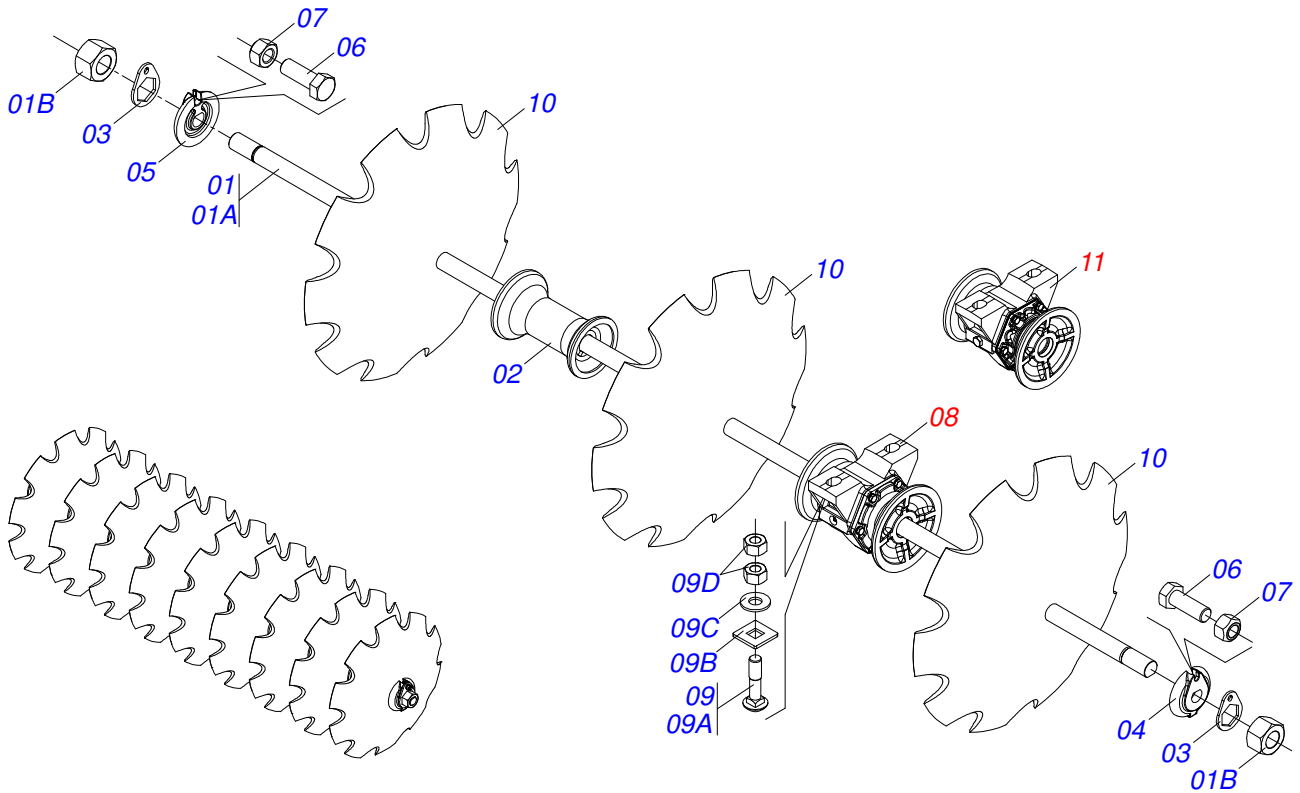


Item	Code	Description	012	014	016
01	0501046855	1-5/8" X 52" AXLE WITH NUTS 2-3/4"	001	000	000
01A	0501015237	1-5/8" X 52" AXLE	001	000	000
01B	0502040640	1.5/8" 2.3/4" NUT	002	000	000
02	0502010626	8.9" 1-5/8" SPACER	002	004	004
03	0511014339	1-5/8" 2.8" NUT LOCK	002	002	002
04	0502011048	1-5/8" EXTERNAL AXLE WASHER	001	001	001
05	0502011047	1-5/8" INNER AXLE WASHER	001	001	001
06	0503011267	5/8" X 1.1/2" BOLT	002	002	002
07	0501012140	FLAT WASHER	002	002	002
08	0503012412	HEX SELF ADJUSTING NUT 5/8 UNC S	002	002	002
09	0501046914	CM GX 9" 1-5/8" SD PR BEARING ASSY	002	002	003
10	0511040034	3/4" X 3-1/4" BOLT ASSY	004	004	006
10A	0501017303	3/4" X 3-1/4" BOLT	004	004	006
10B	0501010949	3/4" SQUARE WASHER	004	004	006
10C	0501010322	FLAT WASHER	004	004	006
10D	0503010014	3/4" NUT	008	008	012
11	0602030002	NOTCHED DISC BLADE	006	007	008
11.	0602030005	24" X 0.2" NOTCHED DISC BLADE	006	007	008
11..	0602033005	26" X 0.2" NOTCHED DISC BLADE	006	007	008
11...	0602037004	28" X 0.2" NOTCHED DISC BLADE	006	007	008
12	0501046857	1-5/8" X 61" AXLE WITH NUTS 2-3/4"	000	001	000
12A	0501015632	1-5/8" X 61" AXLE	000	001	000
12B	0502040640	1.5/8" 2.3/4" NUT	000	002	000
13	0501046859	1-5/8" X 70" AXLE WITH NUTS 2-3/4"	000	000	001
13A	0501015631	1-5/8" X 70" AXLE	000	000	001
13B	0502040640	1.5/8" 2.3/4" NUT	000	000	002
14	0501046923	9"X 1-5/8" OIL BATH BEARING	002	002	003

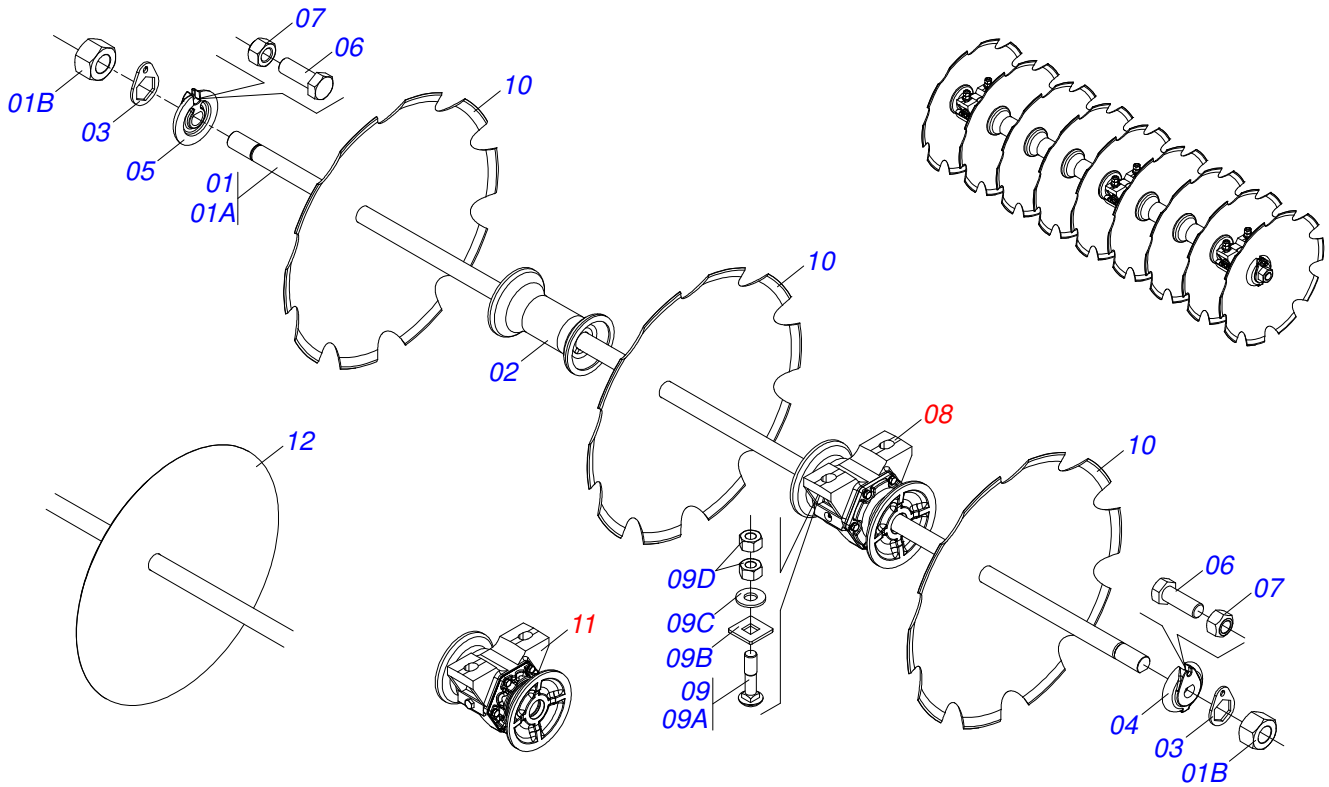


Item	Code	Description	012	014	016
01	0501046855	1-5/8" X 52" AXLE WITH NUTS 2-3/4	001	000	000
01A	0501015237	1-5/8" X 52" AXLE	001	000	000
01B	0502040640	1.5/8" 2.3/4" NUT	002	000	000
02	0502010626	8.9" 1-5/8" SPACER	002	004	004
03	0511014339	1-5/8" 2.8" NUT LOCK	002	002	002
04	0502011047	1-5/8" INNER AXLE WASHER	001	001	001
05	0502011048	1-5/8" EXTERNAL AXLE WASHER	001	001	001
06	0503011267	5/8" X 1.1/2" BOLT	002	002	002
07	0501012140	FLAT WASHER	002	002	002
08	0503012412	HEX SELF ADJUSTING NUT 5/8 UNC S	002	002	002
09	0501046914	CM GX 9" 1-5/8" SD PR BEARING ASSY	002	002	003
10	0511040034	3/4" X 3-1/4" BOLT ASSY	004	004	006
10A	0501017303	3/4" X 3-1/4" BOLT	004	004	006
10B	0501010949	3/4" SQUARE WASHER	004	004	006
10C	0501010322	FLAT WASHER	004	004	006
10D	0503010014	3/4" NUT	008	008	012
11	0602030002	NOTCHED DISC BLADE	006	007	008
11.	0602030005	24" X 0.2" NOTCHED DISC BLADE	006	007	008
11..	0602033005	26" X 0.2" NOTCHED DISC BLADE	006	007	008
11...	0602037004	28" X 0.2" NOTCHED DISC BLADE	006	007	008
12	0501046857	1-5/8" X 61" AXLE WITH NUTS 2-3/4"	000	001	000
12A	0501015632	1-5/8" X 61" AXLE	000	001	000
12B	0502040640	1.5/8" 2.3/4" NUT	000	002	000
13	0501046859	1-5/8" X 70" AXLE WITH NUTS 2-3/4"	000	000	001
13A	0501015631	1-5/8" X 70" AXLE	000	000	001
13B	0502040640	1.5/8" 2.3/4" NUT	000	000	002
14	0501046923	9"X 1-5/8" OIL BATH BEARING	002	002	003

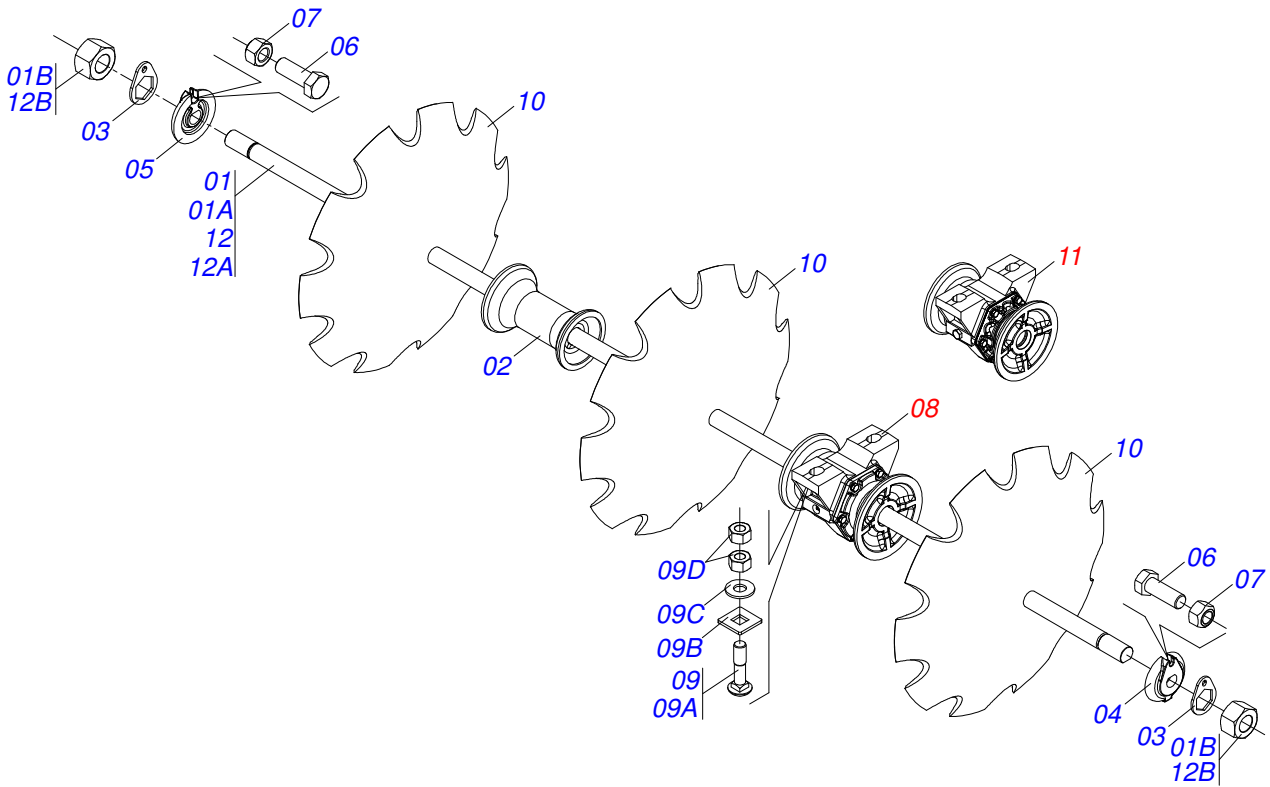
**18D - FRONT DISC SECTION**



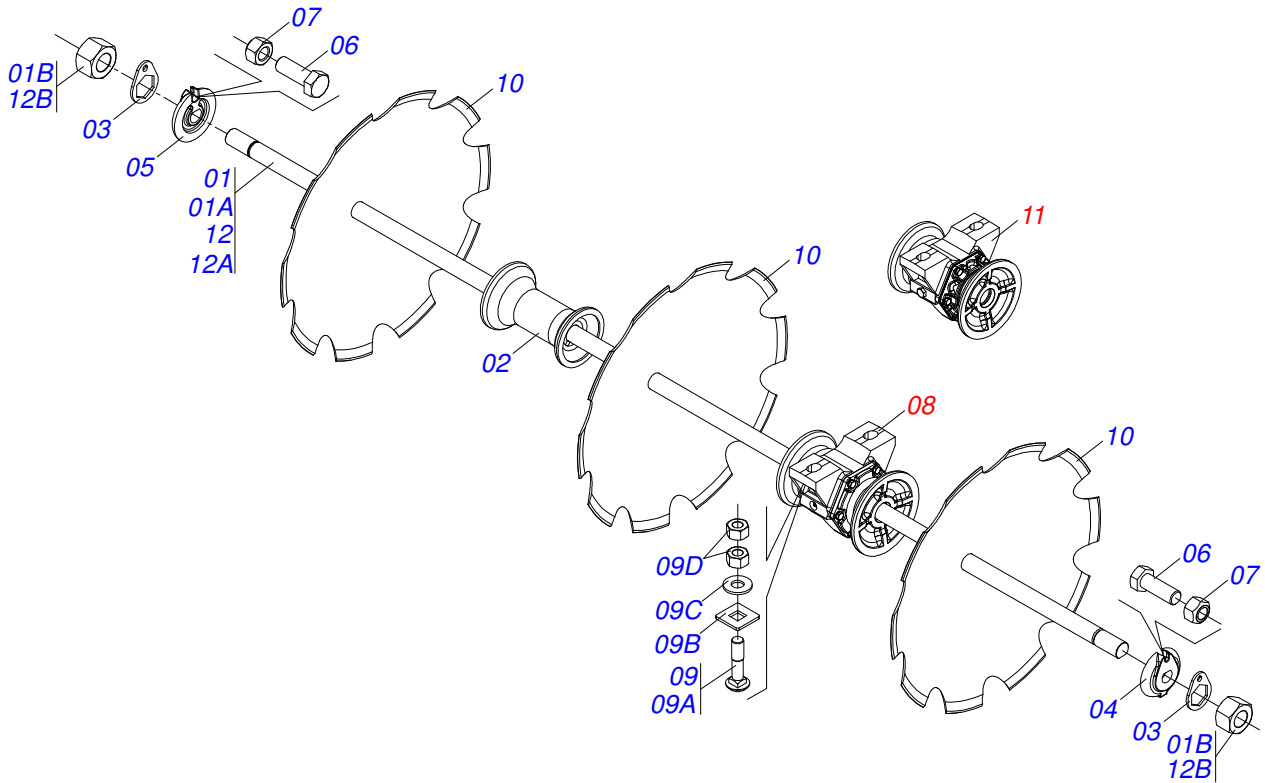
Item	Code	Description	QT
01	0501046860	1-5/8" X 79" AXLE WITH NUTS 2-3/4"	01
01A	0501015329	1-5/8 X 79" AXLE	01
01B	0502040640	1.5/8" 2.3/4" NUT	02
02	0502010626	8.9" 1-5/8" SPACER	05
03	0511014339	1-5/8" 2.8" NUT LOCK	02
04	0502011048	1-5/8" EXTERNAL AXLE WASHER	01
05	0502011047	1-5/8" INNER AXLE WASHER	01
06	0503011267	5/8" X 1.1/2" BOLT	02
07	0503012412	HEX SELF ADJUSTING NUT 5/8 UNC S	02
08	0501046914	CM GX 9" 1-5/8" SD PR BEARING ASSY	03
09	0511040034	3/4" X 3-1/4" BOLT ASSY	06
09A	0501017303	3/4" X 3-1/4" BOLT	06
09B	0501010949	3/4" SQUARE WASHER	06
09C	0501010322	FLAT WASHER	06
09D	0503010014	3/4" NUT	12
10	0602030005	24" X 0.2" NOTCHED DISC BLADE	09
10.	0602033005	26" X 0.2" NOTCHED DISC BLADE	09
10..	0602037004	28" X 0.2" NOTCHED DISC BLADE	09
11	0501046923	9"X 1-5/8" OIL BATH BEARING	03



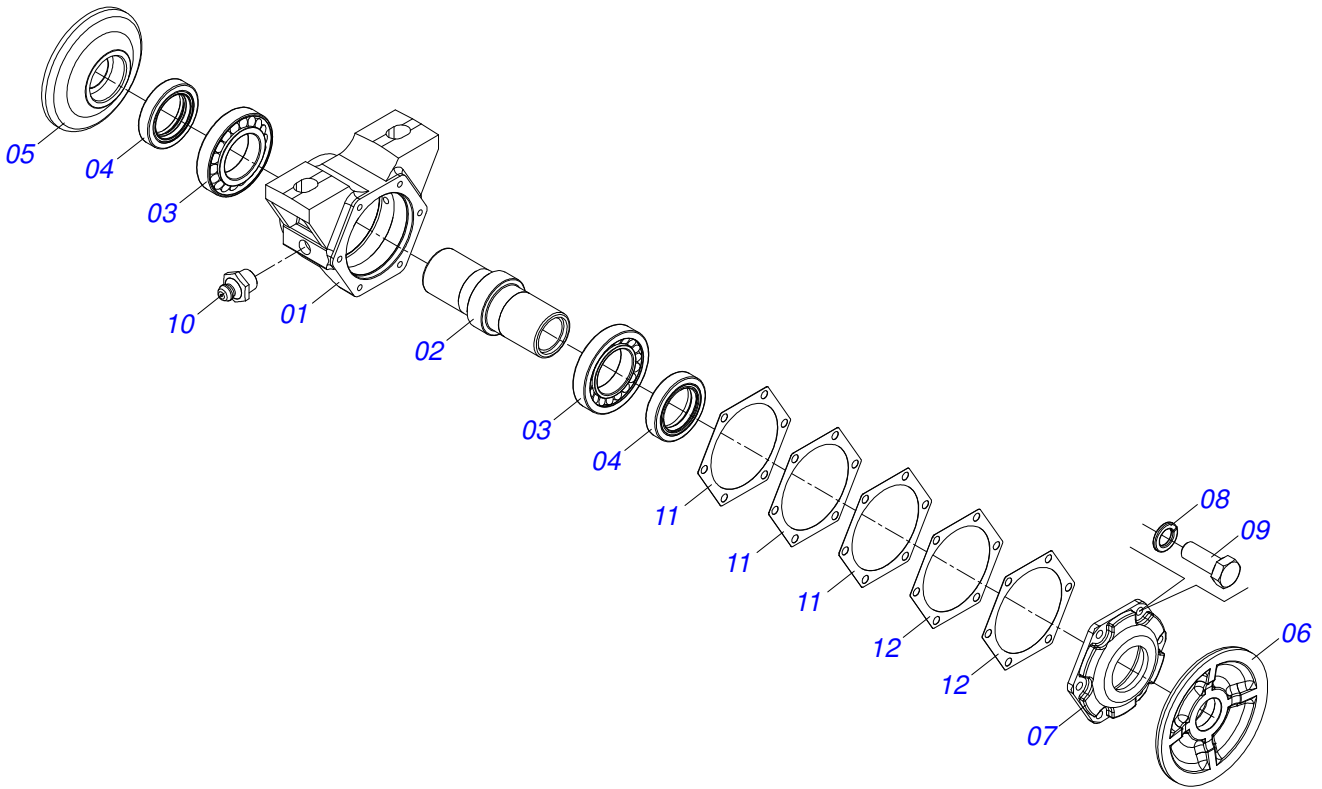
Item	Code	Description	QT
01	0501046860	1-5/8" X 79" AXLE WITH NUTS 2-3/4"	01
01A	0501015329	1-5/8 X 79" AXLE	01
01B	0502040640	1.5/8" 2.3/4" NUT	02
02	0502010626	8.9" 1-5/8" SPACER	05
03	0511014339	1-5/8" 2.8" NUT LOCK	02
04	0502011047	1-5/8" INNER AXLE WASHER	01
05	0502011048	1-5/8" EXTERNAL AXLE WASHER	01
06	0503011267	5/8" X 1.1/2" BOLT	02
07	0503012412	HEX SELF ADJUSTING NUT 5/8 UNC S	02
08	0501046914	CM GX 9" 1-5/8" SD PR BEARING ASSY	03
09	0511040034	3/4" X 3-1/4" BOLT ASSY	06
09A	0501017303	3/4" X 3-1/4" BOLT	06
09B	0501010949	3/4" SQUARE WASHER	06
09C	0501010322	FLAT WASHER	06
09D	0503010014	3/4" NUT	12
10	0602030005	24" X 0.2" NOTCHED DISC BLADE	09
10.	0602033005	26" X 0.2" NOTCHED DISC BLADE	09
10..	0602037004	28" X 0.2" NOTCHED DISC BLADE	09
11	0501046923	9"X 1-5/8" OIL BATH BEARING	03
12	0601030005	24" X 0.2" PLAIN DISC BLADE	09



Item	Code	Description	020	022	024
01	0501046853	1-5/8" X 43" AXLE WITH NUTS 2-3/4	002	001	000
01A	0501015029	1-5/8" X 43" AXLE	002	001	000
01B	0502040640	1.5/8" 2.3/4" NUT	004	002	000
02	0502010626	8.9" 1-5/8" SPACER	004	005	006
03	0511014339	1-5/8" 2.8" NUT LOCK	004	004	004
04	0502011048	1-5/8" EXTERNAL AXLE WASHER	002	002	002
05	0502011047	1-5/8" INNER AXLE WASHER	002	002	002
06	0503011267	5/8" X 1.1/2" BOLT	004	004	004
07	0503012412	HEX SELF ADJUSTING NUT 5/8 UNC S	004	004	004
08	0501046914	CM GX 9" 1-5/8" SD PR BEARING ASSY	004	004	004
09	0511040034	3/4" X 3-1/4" BOLT ASSY	008	008	008
09A	0501017303	3/4" X 3-1/4" BOLT	008	008	008
09B	0501010949	3/4" SQUARE WASHER	008	008	008
09C	0501010322	FLAT WASHER	008	008	008
09D	0503010014	3/4" NUT	016	016	016
10	0602030005	24" X 0.2" NOTCHED DISC BLADE	010	011	012
10.	0602033005	26" X 0.2" NOTCHED DISC BLADE	010	011	012
10..	0602037004	28" X 0.2" NOTCHED DISC BLADE	010	011	012
10...	0602037006	DR28X7,5 C102AF04FR1.11/16 10R TATU	010	000	000
11	0501046923	9"X 1-5/8" OIL BATH BEARING	004	004	004
12	0501046855	1-5/8" X 52" AXLE WITH NUTS 2-3/4	000	001	002
12A	0501015237	1-5/8" X 52" AXLE	000	001	002
12B	0502040640	1.5/8" 2.3/4" NUT	000	002	004

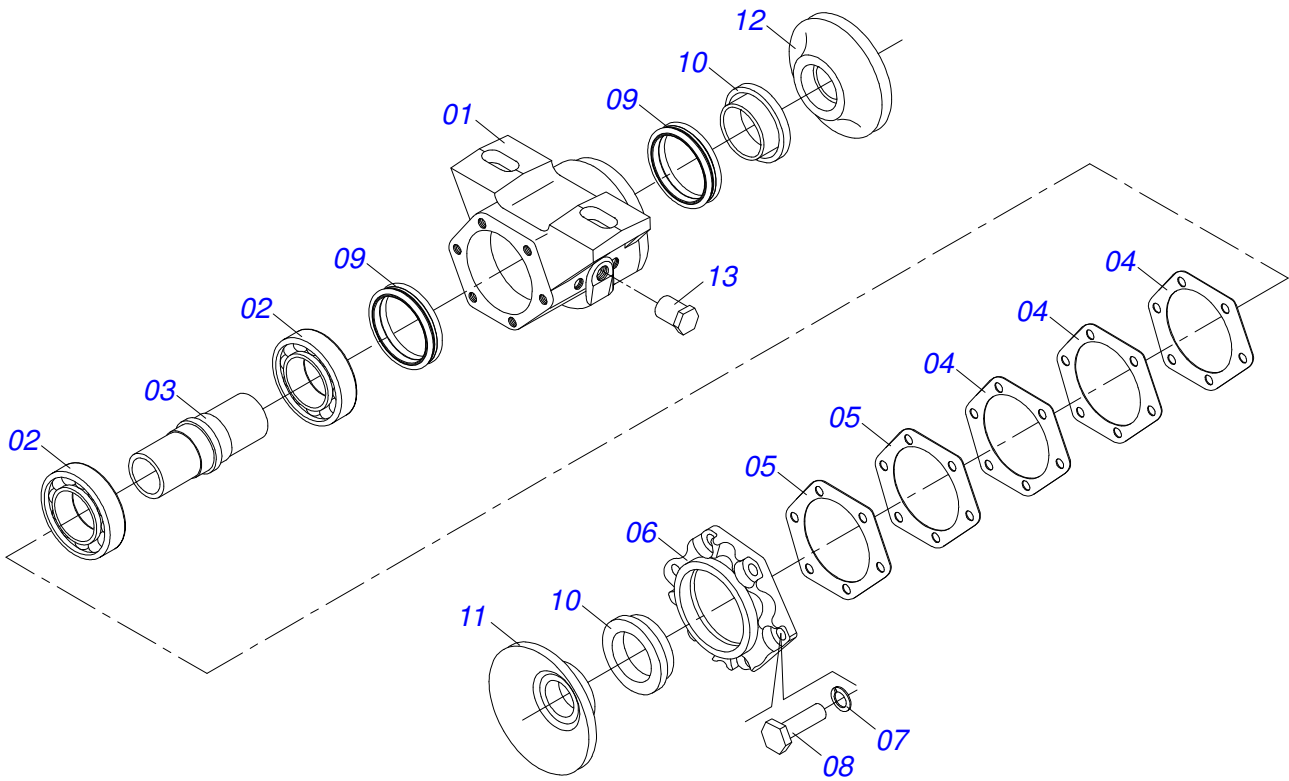


Item	Code	Description	020	022	024
01	0501046853	1-5/8" X 43" AXLE WITH NUTS 2-3/4	002	001	000
01A	0501015029	1-5/8" X 43" AXLE	002	001	000
01B	0502040640	1.5/8" 2.3/4" NUT	004	002	000
02	0502010626	8.9" 1-5/8" SPACER	004	005	006
03	0511014339	1-5/8" 2.8" NUT LOCK	004	004	004
04	0502011047	1-5/8" INNER AXLE WASHER	002	002	002
05	0502011048	1-5/8" EXTERNAL AXLE WASHER	002	002	002
06	0503011267	5/8" X 1.1/2" BOLT	004	004	004
07	0503012412	HEX SELF ADJUSTING NUT 5/8 UNC S	004	004	004
08	0501046914	CM GX 9" 1-5/8" SD PR BEARING ASSY	004	004	004
09	0511040034	3/4" X 3-1/4" BOLT ASSY	008	008	008
09A	0501017303	3/4" X 3-1/4" BOLT	008	008	008
09B	0501010949	3/4" SQUARE WASHER	008	008	008
09C	0501010322	FLAT WASHER	008	008	008
09D	0503010014	3/4" NUT	016	016	016
10	0602030005	24" X 0.2" NOTCHED DISC BLADE	010	011	012
10.	0602033005	26" X 0.2" NOTCHED DISC BLADE	010	011	012
10..	0602037004	28" X 0.2" NOTCHED DISC BLADE	010	011	012
10...	0602037006	DR28X7,5 C102AF04FR1.11/16 10R TATU	010	000	000
11	0501046923	9"X 1-5/8" OIL BATH BEARING	004	004	004
12	0501046855	1-5/8" X 52" AXLE WITH NUTS 2-3/4	000	001	002
12A	0501015237	1-5/8" X 52" AXLE	000	001	002
12B	0502040640	1.5/8" 2.3/4" NUT	000	002	004



Item	Code	Description	QT
01	0502020448	HOUSING CM	01
02	0502010639	AXLE FOR CM/DM	01
03	0503010113	30212 ROLLER BEARING	02
04	0503010327	SEAL 00556-GB	02
05	0502040240	INNER FLANGE	01
06	0502040239	OUTER FLANGE	01
07	0502020457	HOUSING CAP CM	01
08	0503011443	SPRING WASHER	06
09	0503010237	3/8" X 1" BOLT	06
10	0503010002	1800 GREASE FITTING	02
11	0503031972	137 X 113,2 X 0,3 JOINT	03
12	0503031973	137 X 113,2 X 0,1 JOINT	02





Item	Code	Description	QT
01	0502020445	HOUSING DM	01
02	0503010113	30212 ROLLER BEARING	02
03	0502010639	AXLE FOR CM/DM	01
04	0503031972	137 X 113,2 X 0,3 JOINT	03
05	0503031973	137 X 113,2 X 0,1 JOINT	02
06	0502012445	BEARING COVER BOX (BOX SLIGHTLY)	01
07	0503011443	SPRING WASHER	06
08	0503010237	3/8" X 1" BOLT	06
09	0503030027	DUO-CONE SEAL	02
10	0502010633	SEAL RETAINER	02
11	0502040239	OUTER FLANGE	01
12	0502040240	INNER FLANGE	01
13	0503010856	OIL PLUG	01





email: [civemasa@civemasa.com.br](mailto:civemasa@civemasa.com.br)

[www.civemasa.com.br](http://www.civemasa.com.br)

Phone: +55 16.3382.8222

Fax: +55 16.3382.8355

## MARCHESAN IMPLEMENTOS E MÁQUINAS AGRÍCOLAS "TATU" S.A.

Av. Marchesan, 1979 - Post Office box, 131 - Cep 15994-900 - Matão - Sp - Brasil

CNPJ 52.311.289/0001-63 | Inst. Est.441.000.151.114

**Technical Publications: Elaboration**

ALESSANDRA PATRICIA KAWAHARA CARRILI

**Technical Publications: Revision**

ALESSANDRA PATRICIA KAWAHARA CARRILI

Contact Catálogo:

E-mail = [jgaspari@marchesan.com.br](mailto:jgaspari@marchesan.com.br)

ORIGINAIS PARTS  
CIVEMASA