

**DISK PLOW**

**AACR - 8 P**

**Code:** 0501092128

**Series:** S-1215

**Revision:** 00

**Revision Date:** MARÇO/2018

# PARTS CATALOGUE


***CIVEMASA***

# PRODUCTS

<b>Code</b>	<b>Description</b>
0120630008	AACR 8P S-1215

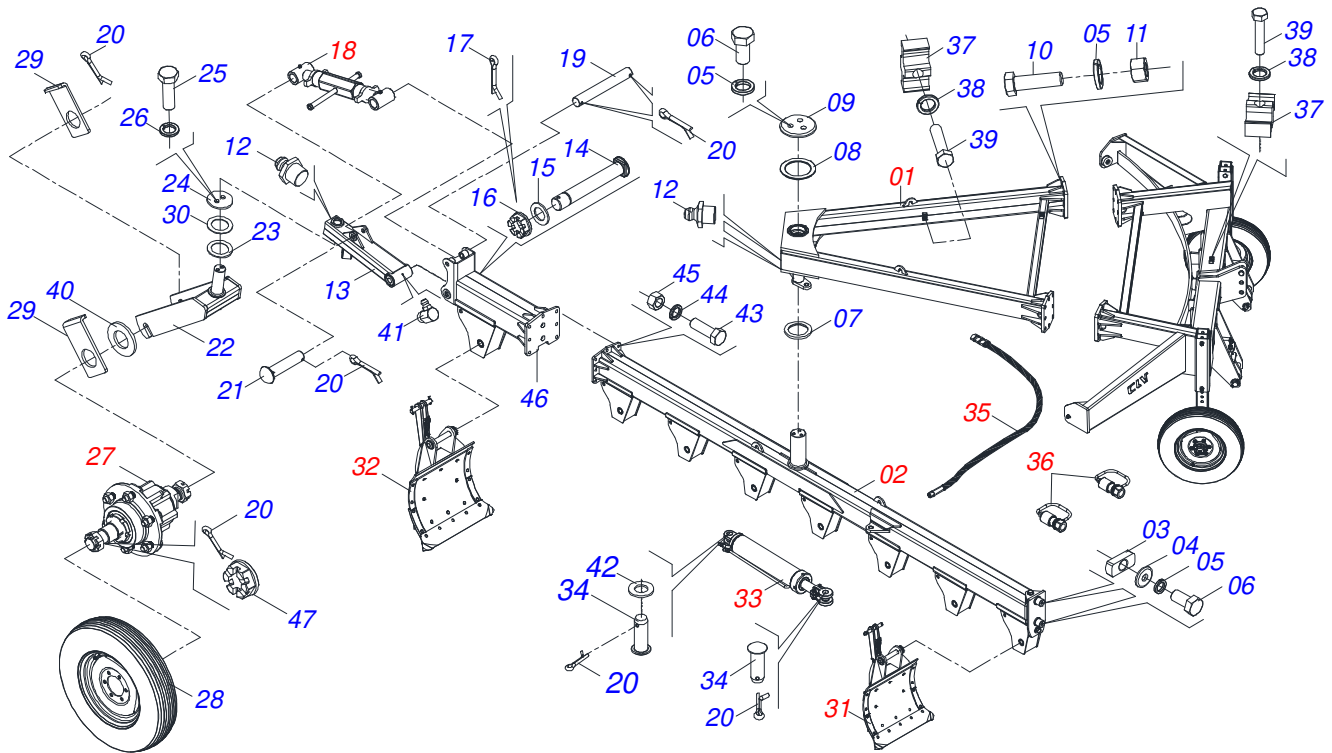
## **ATTENTION: IMPORTANT**

CIVEMASA reserves the right to improve and/or modify the technical features of its products, without obligation to do the same with those products already sold and without prior knowledge of the dealer or the customer. The photos are only illustrative.



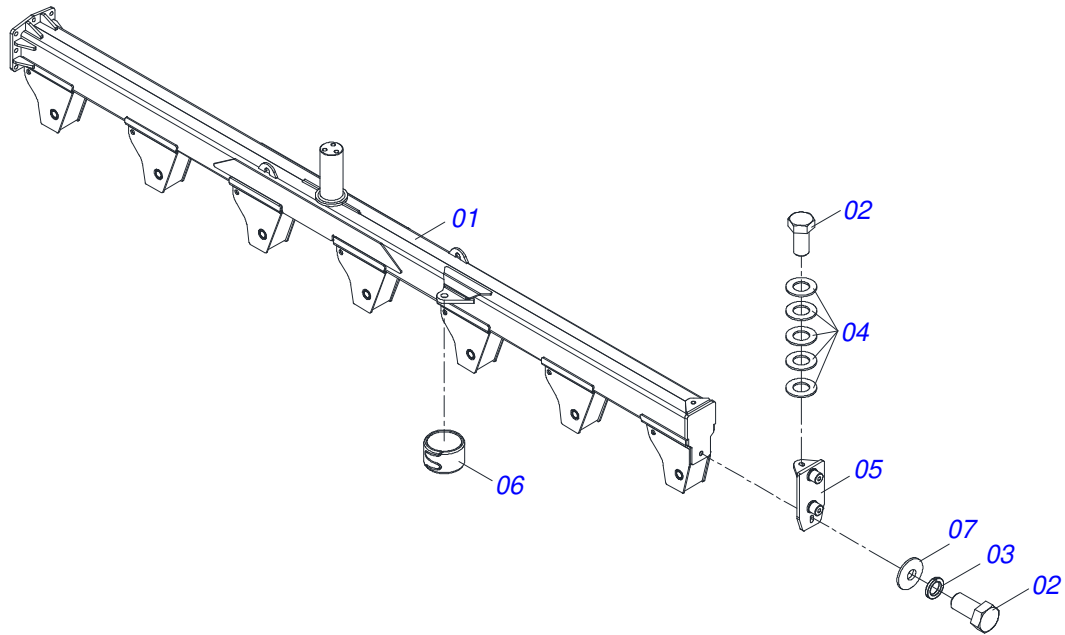
# INDEX

0521047263	ASSY BODY FRAME	.....	1
0511058737	ASSY BODY FRAME MOLDBOARDS - AARP 8/7 8/8	.....	2
0511058738	ASSY BODY FRAME - AARP 5 A 8	.....	3
0501047699	ESTABILIZER ASSY	.....	4
0501052245	WHEEL WITHOUT TIRE	.....	5
0501052246	MOLDBOARD FRONT ASSY	.....	6
0501052247	REAR MOLDBOARD ASSY	.....	7
0511052997	ASSY DEVIATION SYSTEM ROD	.....	8
0511058402	HYDRAULIC CYLINDER 50,80 X 101,60 X 800 X 1202	.....	9
0511052996	HOSE KIT	.....	10
0501053834	MALE QUICK COUPLER	.....	11
0511053040	SET FRONT BODY CHASSIS WITH BEATER - AACR	.....	12
0521047265	FRONT FRAME SET ASSY	.....	13
0501052240	DEPTH CONTROL ARM ASSY	.....	14
0511028289	BOX COMPONENTS WITH SUPPORT FIXING BRT - AARP 6/6 7/7 8/8	.....	15

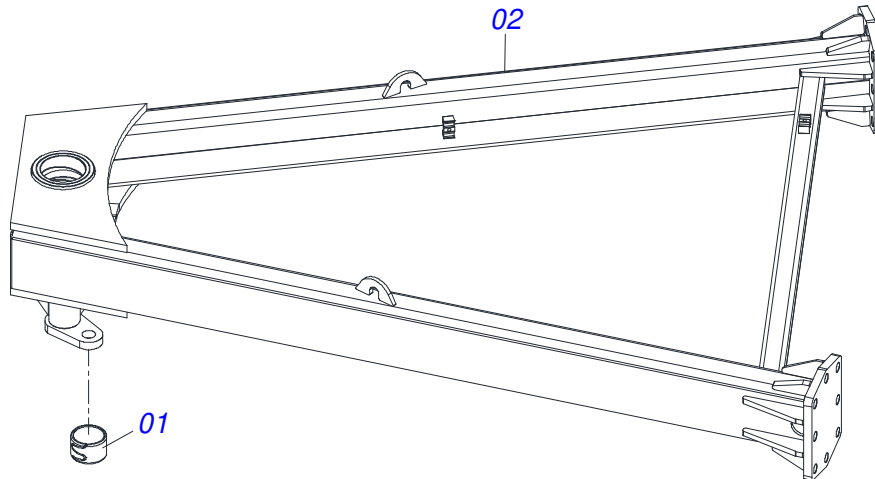


Item	Code	Description	See page	QT
001	0511058738	ASSY BODY FRAME - AARP 5 A 8	3	01
002	0511058737	ASSY BODY FRAME MOLDBOARDS - AARP 8/7 8/8	2	01
003	0521014020	LOWER GUIDE PLATE		02
004	0521014196	FLAT WASHER		02
005	0503010012	1" SPRING WASHER		21
006	0503010953	BOLT 1 UNC X 2 C S G.5 ZN		05
007	0521014041	SPACING BUSHING AXLE 127,50 X 175 X 16		01
008	0521014197	FLAT WASHER		01
009	0521014022	UPPER FLANGE		01
010	0503016484	1" X 3-1/2" BOLT		16
011	0503010340	1" NUT		16
012	0503010002	1800 GREASE FITTING		03
013	0511069625	ARM FIXER CARRYING-WHEELS		01
014	0561018588	COUPLING SHAFT		01
015	0501012916	FLAT WASHER 40 X 66 X 4,75 ZN		01
016	0501011301	1.1/2 UNC 6FPP 2.5/16 NUT		01
017	0503010010	1/4" X 2.1/2" COTTERPIN		01
018	0501047699	ESTABILIZER ASSY	4	01
019	0521014216	COUPLING SHAFT		01
020	0503010523	1/4" X 2" SPLIT PIN		07
021	0521014092	AXLE LOCK		01
022	0511060365	CARRYING WHEELS FIXER		01
023	0521014023	MIDDLEMAN FLANGE		01
024	0521014014	REAR FIXER FLANGE		01
025	0501010100	SCREW 5/8 UNC X 2 CS G.5 ZN		02
026	0503010027	5/8 SPRING WASHER		02
027	0501052245	WHEEL WITHOUT TIRE	5	01
028	0503060094	WHEEL AND TIRE ASSY		01
029	0531015109	WHEEL AXLE LOCK		02
030	0521014024	WASHER SPACER		01
031	0501052246	MOLDBOARD FRONT ASSY	6	07

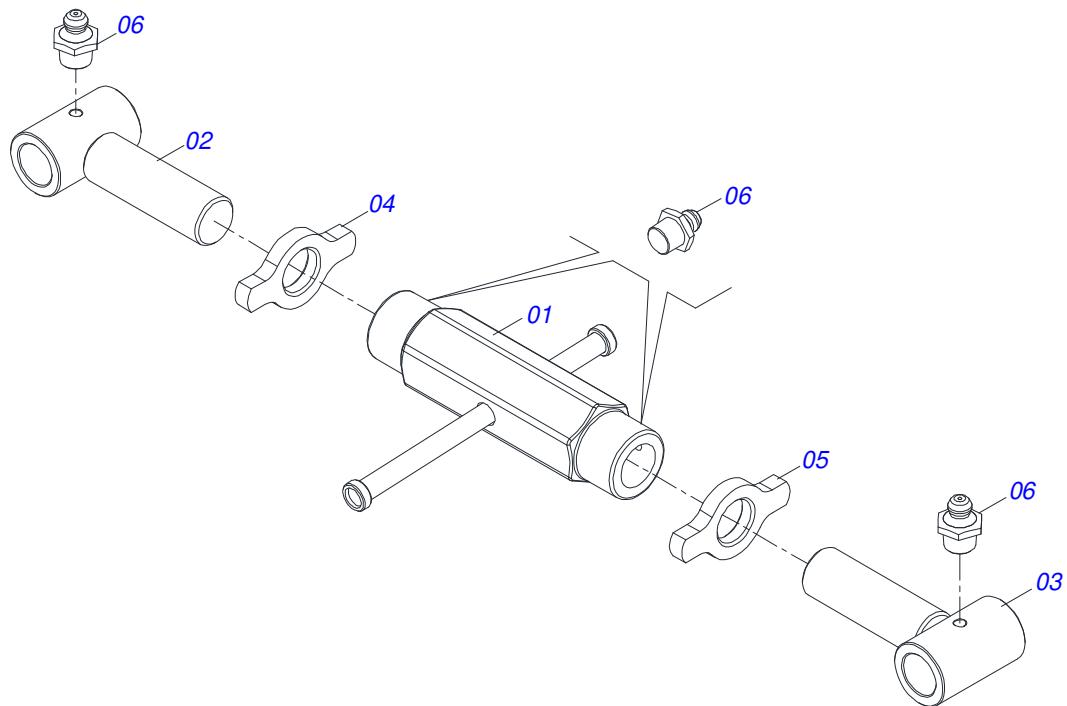
<b>Item</b>	<b>Code</b>	<b>Description</b>	<b>See page</b>	<b>QT</b>
032	0501052247	REAR MOLDBOARD ASSY	7	01
033	0511058402	HYDRAULIC CYLINDER 50,80 X 101,60 X 800 X 1202	9	01
034	0521012538	1.2" X 3.5" COUPLING SHAFT		02
035	0511052996	HOSE KIT	10	01
036	0501053834	MALE QUICK COUPLER	11	02
037	0502012702	BODY SUPPORT CLAMP		04
038	0503010180	7/16" SPRING WASHER		04
039	0503012555	SCREW 7/16 UNC X 2 CS RT G.7 ZN		04
040	0501010307	FLAT WASHER		01
041	0503010004	1890 GREASE FITTING		01
042	0501017779	32 X 60 X 4.75 FLAT WASHER		01
043	0503012419	7/8" X 2-3/4" BOLT		07
044	0503010408	7/8" SPRING WASHER		07
045	0503011066	7/8" NUT		07
046	0521060974	ADAPTER		01
047	0503011052	1.1/4" X 0.77" CASTLE NUT		02



Item	Code	Description	See page	QT
01	0521066768	FRAME FOR MOLDBOARD		01
02	0503010953	BOLT 1 UNC X 2 C S G.5 ZN		02
03	0503010012	1" SPRING WASHER		01
04	0501011518	ARRUELA LISA 27 X 50 X 3		05
05	0521063769	FIXER GUIDES FRAME		01
06	0511019920	SLEEVE 32,70 X 38,80 X 25,40		01
07	0501010065	1" SPRING WASHER		01

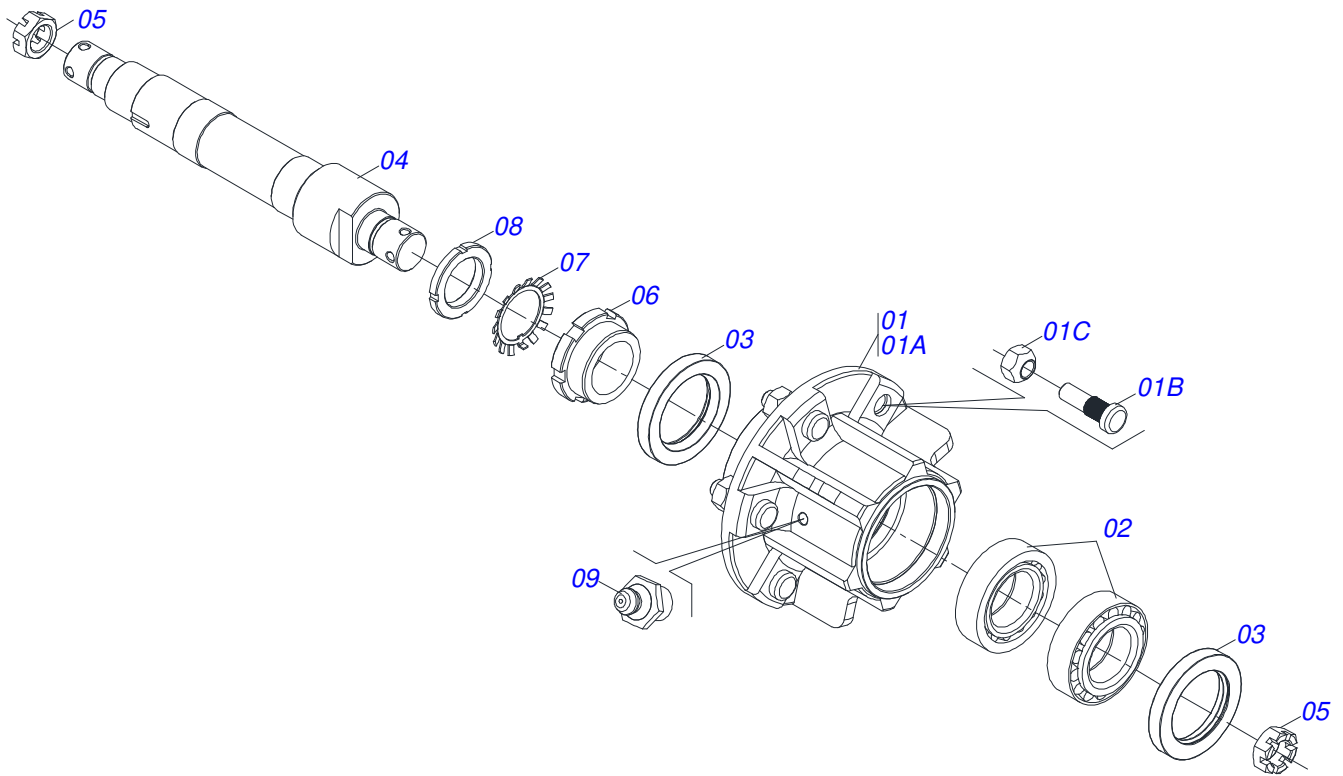


Item	Code	Description	See page	QT
01	0511019920	SLEEVE 32,70 X 38,80 X 25,40		01
02	0511060363	REAR FRAME BODY		01

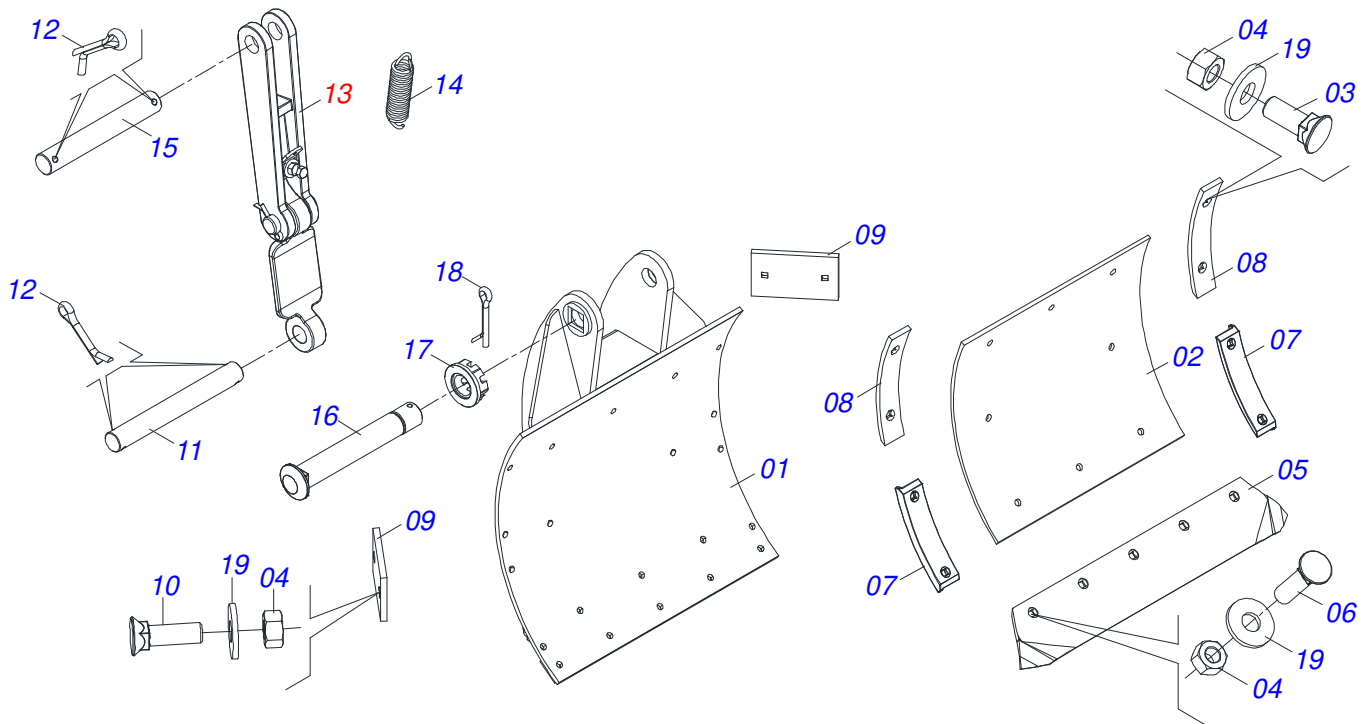


Item	Code	Description	See page	QT
01	0501110262	245 ADJUSTMENT NUT		01
02	0501064001	RIGHT JACK CRANK		01
03	0501064002	LEFT JACK CRANK		01
04	0541018672	COUNTERNUT		01
05	0541018673	COUNTERNUT		01
06	0503010002	1800 GREASE FITTING		04

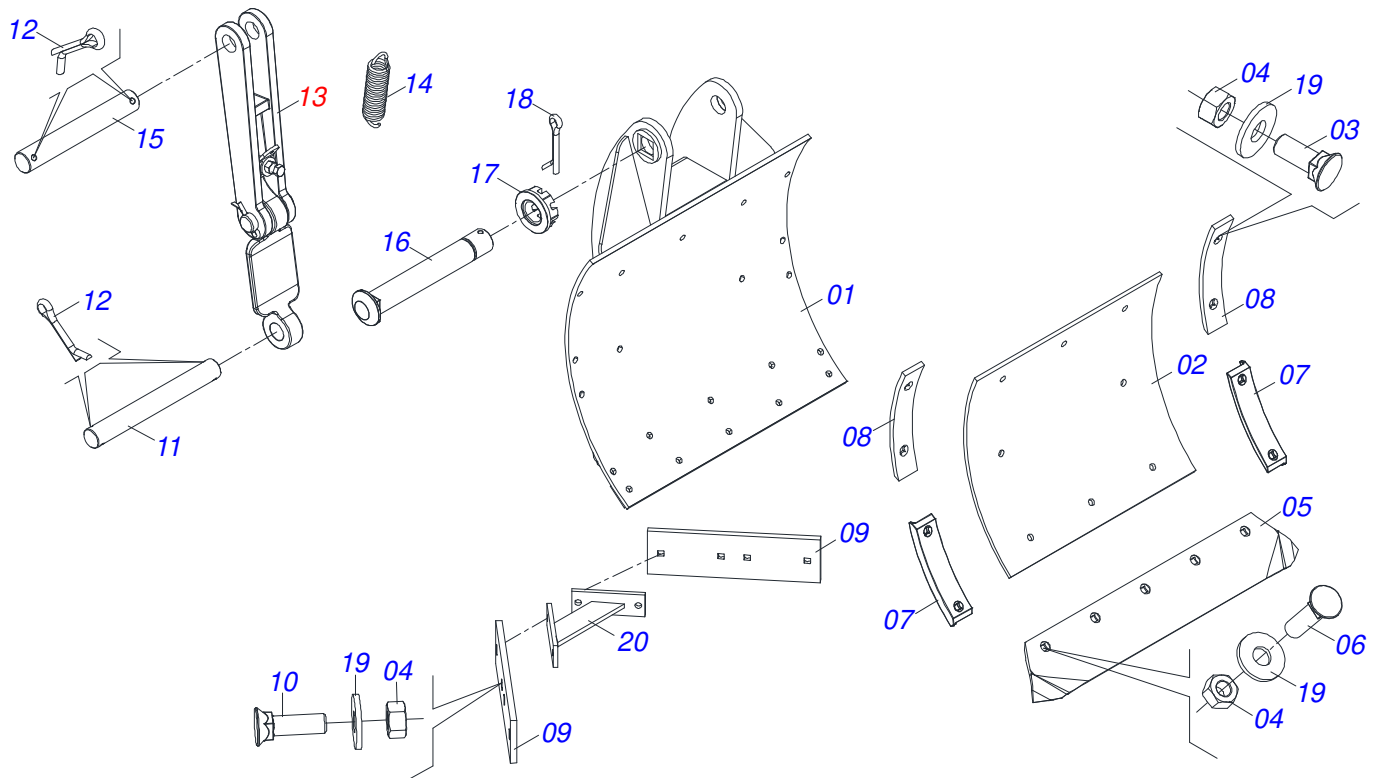




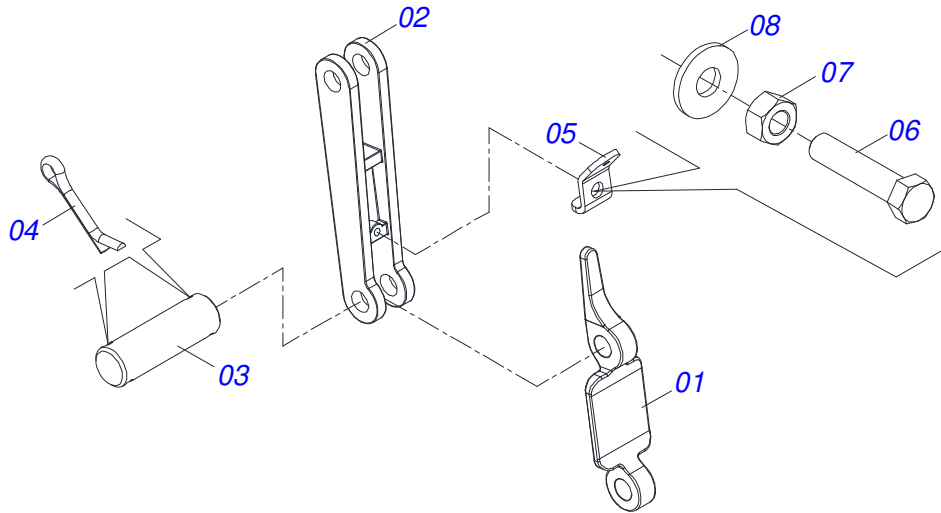
Item	Code	Description	See page	QT
01	0501110733	WHEEL HUB		01
01A	0502011120	TRANSP WHEEL HUB		01
01B	0501010127	9/16" X 1-7/8" LUG BOLT		06
01C	0503010035	9/16" CONIC NUT		06
02	0503010328	25590/25523 ROLLER BEARING		02
03	0503010804	00547-B SEAL		02
04	0521014068	CARRYING WHEEL AXLE		01
05	0503011052	1.1/4" X 0.77" CASTLE NUT		02
06	0511015949	LOCK NUT		01
07	0503010329	LOCK WASHER		01
08	0503010330	KM 9 LOCKNUT		01
09	0503010002	1800 GREASE FITTING		01



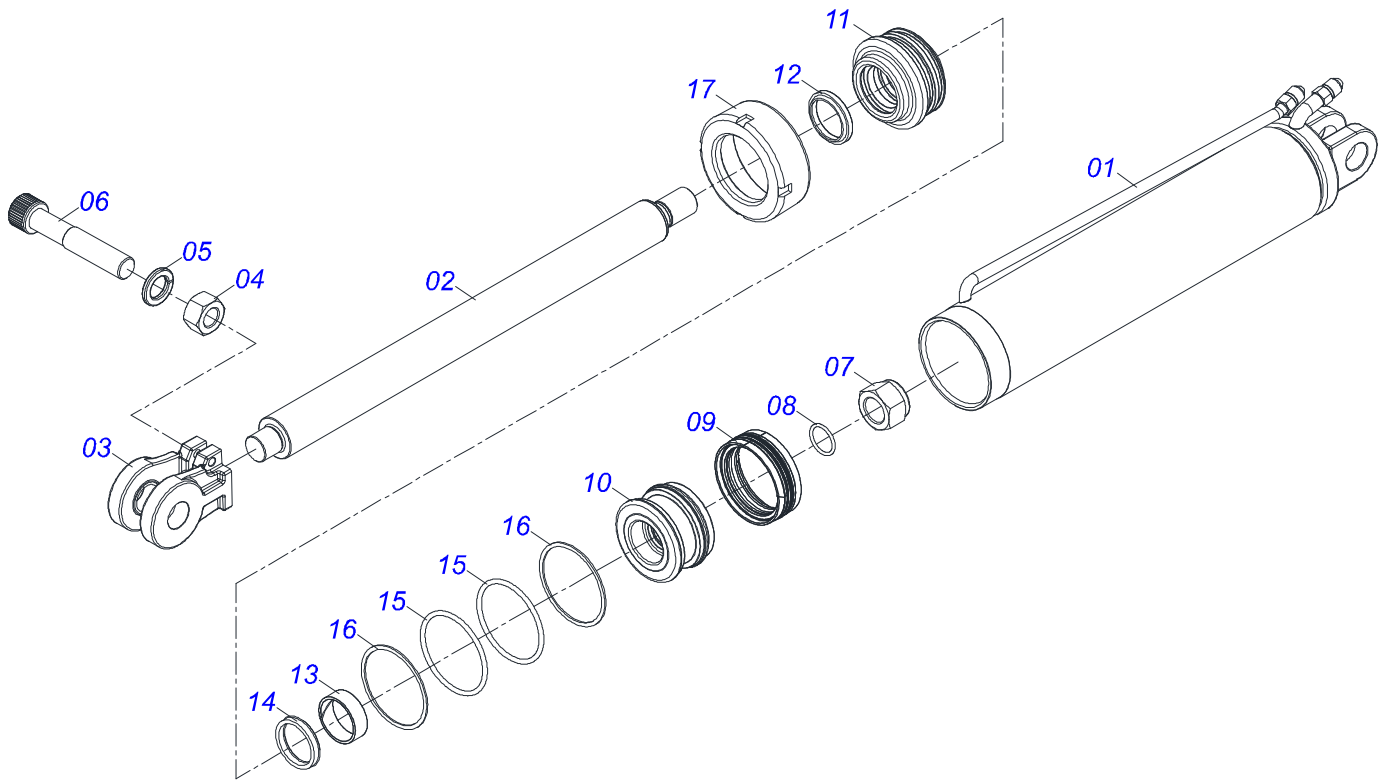
Item	Code	Description	See page	QT
01	0511060400	MOLDBOARD		01
02	0511011127	PLASTIC LINING		01
03	0503011426	7/16" X 1-1/4" BOLT		16
04	0503010244	7/16" NUT		25
05	0622380002	SHEAR POINT		01
06	0503010773	7/16" X 1-3/4" BOLT		05
07	0502070060	LOWER BAR STOP MOLDBOARD		02
08	0511011126	UPPER BAR STOP MOLDBOARD		02
09	0511011175	SMALLER MOLDBOARD GUIDES		02
10	0503011199	7/16" X 1-1/2" BOLT		04
11	0521014037	1.1" X 8.4" COUPLING SHAFT		01
12	0503010571	1/4" X 1.1/2 COTTERPIN		04
13	0511052997	ASSY DEVIATION SYSTEM ROD	8	01
14	0503031515	1.2" X 5.1" X 0.2" EXTENSION SPRING		01
15	0521014038	1.1" X 7.6" COUPLING SHAFT		01
16	0561018588	COUPLING SHAFT		01
17	0501011301	1.1/2 UNC 6FPP 2.5/16 NUT		01
18	0503010010	1/4" X 2.1/2" COTTERPIN		01
19	0501012803	FLAT WASHER		25



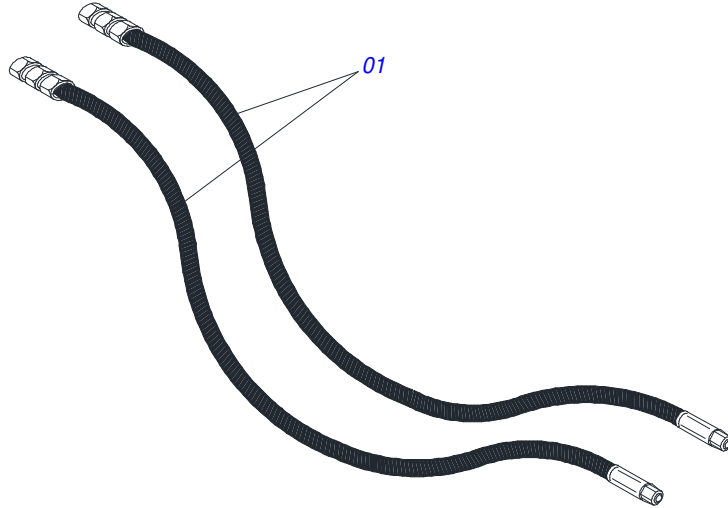
Item	Code	Description	See page	QT
01	0511060400	MOLDBOARD		01
02	0511011127	PLASTIC LINING		01
03	0503011426	7/16" X 1-1/4" BOLT		16
04	0503010244	7/16" NUT		29
05	0622380002	SHEAR POINT		01
06	0503010773	7/16" X 1-3/4" BOLT		05
07	0502070060	LOWER BAR STOP MOLDBOARD		02
08	0511011126	UPPER BAR STOP MOLDBOARD		02
09	0511011801	LARGER MOLDBOARD GUIDES		02
10	0503011199	7/16" X 1-1/2" BOLT		08
11	0521014037	1.1" X 8.4" COUPLING SHAFT		01
12	0503010571	1/4" X 1.1/2 COTTERPIN		04
13	0511052997	ASSY DEVIATION SYSTEM ROD	8	01
14	0503031515	1.2" X 5.1" X 0.2" EXTENSION SPRING		01
15	0521014038	1.1" X 7.6" COUPLING SHAFT		01
16	0561018588	COUPLING SHAFT		01
17	0501011301	1.1/2 UNC 6FPP 2.5/16 NUT		01
18	0503010010	1/4" X 2.1/2" COTTERPIN		01
19	0501012803	FLAT WASHER		31
20	0501065737	REAR SUPPORT GUIDE		01



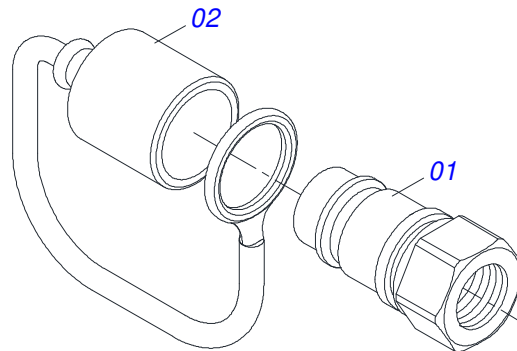
Item	Code	Description	See page	QT
01	0521011631	AUTOMATIC RESET		01
02	0502011164	SUPPORT SPRING		01
03	0511015689	1.1" X 3.5" COUPLING SHAFT		01
04	0503010571	1/4" X 1.1/2 COTTERPIN		02
05	0521014033	LOWER SPRING FIXER		01
06	0503012555	SCREW 7/16 UNC X 2 CS RT G.7 ZN		01
07	0503010244	7/16" NUT		01
08	0501012803	FLAT WASHER		01



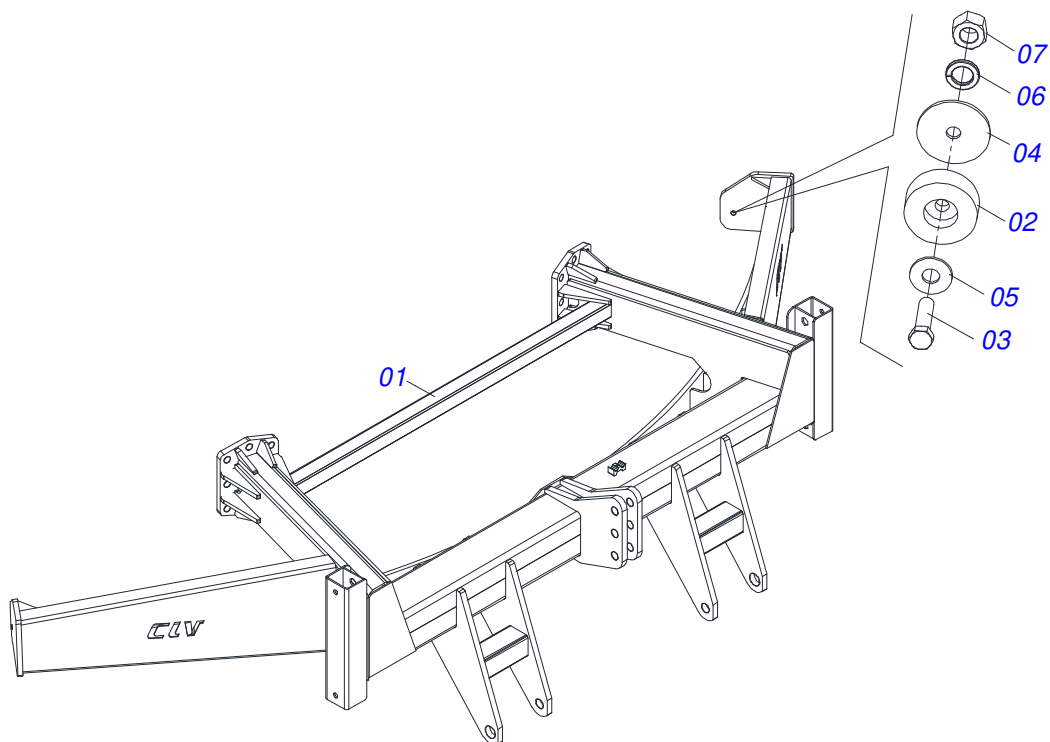
Item	Code	Description	See page	QT
01	0511060668	4" X 20" CYLINDER CASE		01
02	0501018530	2" X 26" TURNBUCKLE		01
03	0502040747	32.54 CLEVIS CLAMP		01
04	0503010026	3/8" NUT		01
05	0503011443	3/8" SPRING WASHER		01
06	0503011094	3/8" X 2" BOLT		01
07	0503010817	1.1/4" SELF LOCKING NUT		01
08	0503010345	2-218 N 3006-9B O'RING		01
09	0503015633	SELEMASTER SEALING		01
10	0502012842	50,80 X 101,60 PISTON		01
11	0581010678	50,80 X 101 RING SUPPORT		01
12	0503015636	SCRAPER SEAL		01
13	0503018025	RING GUIDE		01
14	0503018026	1870-2000-375 B GASKET		01
15	0503010338	2-342 N 3006-9B O'RING		02
16	0503011061	8-342 BACK-UP RING		02
17	0502012822	101.60 END CAP		01
18	0511034305	HYDRAULIC CYLINDER REPAIR KIT (051 1058402)		01



Item	Code	Description	See page	QT
01	0501080443	3/8 X 6000 TR-TM HOSE		02

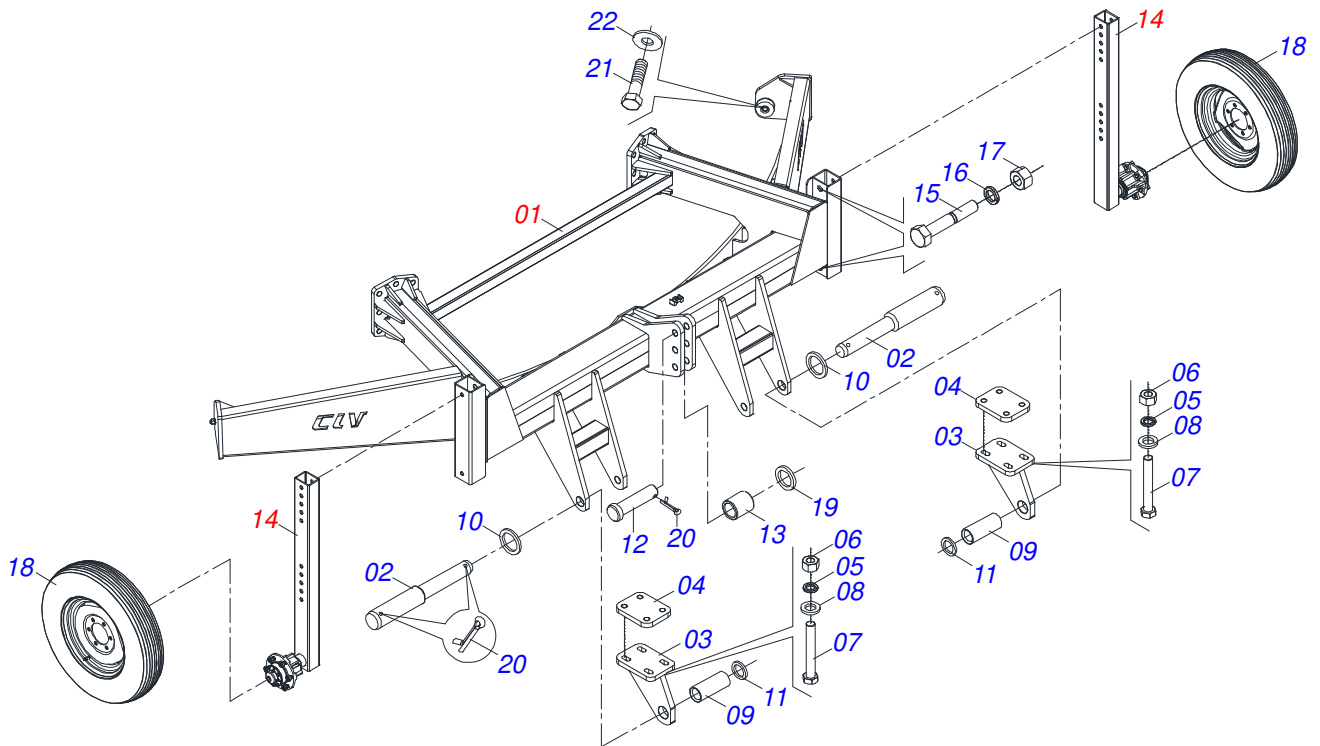


Item	Code	Description	See page	QT
01	0503011627	MALE QUICK COUPLER AGR 1/2 NPT		01
02	0503011882	MALE QUICK COUPLER CAP		01

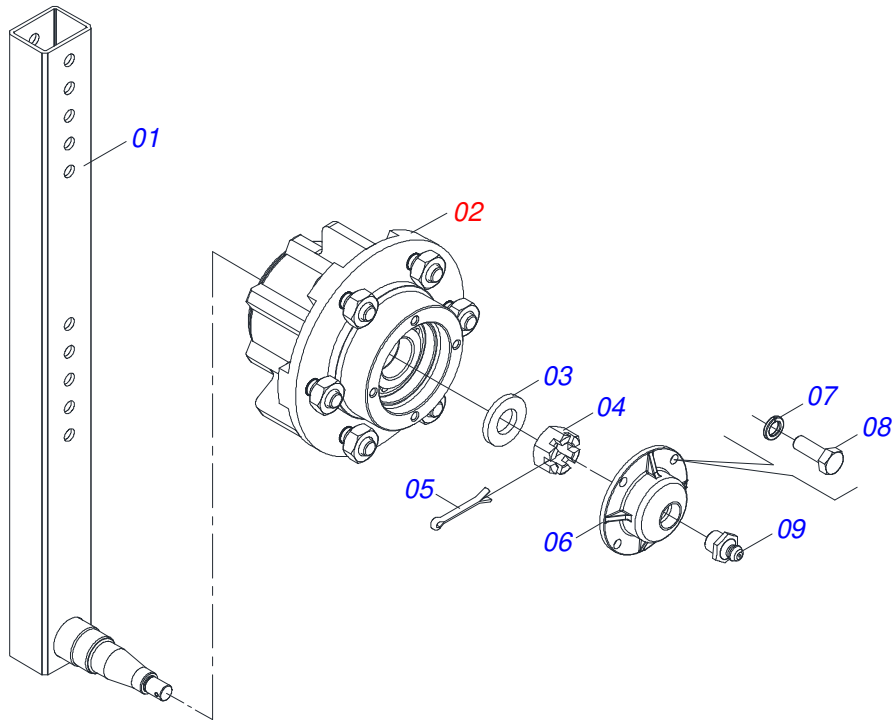


Item	Code	Description	See page	QT
001	0521062704	FRONT FRAME BODY	01	
002	0521011481	FRAME BATTERY	02	
003	0503010233	5/8" X 2-1/2" BOLT	02	
004	0571013284	17.5 X 90 X 4.75 FLAT WASHER	02	
005	0571010265	16.5 X 40 X 3 FLAT WASHER	02	
006	0503010027	5/8 SPRING WASHER	02	
007	0503010013	5/8 NUT	02	

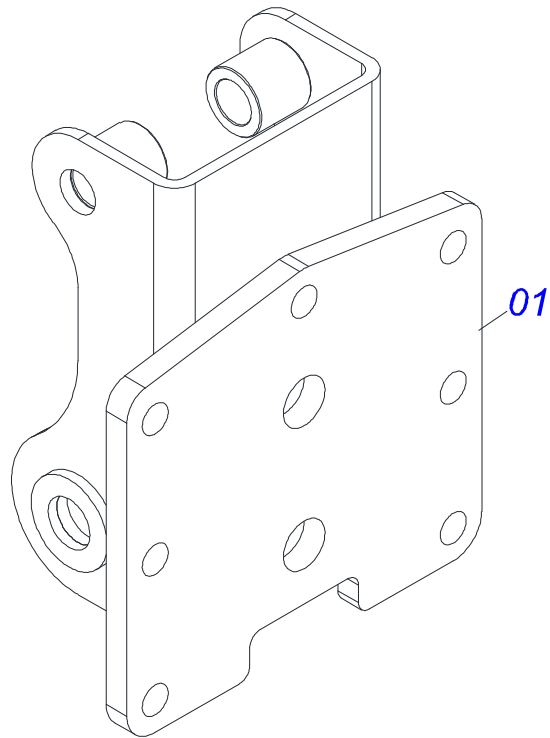




Item	Code	Description	See page	QT
001	0511053040	SET FRONT BODY CHASSIS WITH BEATER - AACR	12	01
002	0541012277	HITCH AXLE		02
003	0521065143	ADJUSTABLE FLANGE		02
004	0571016880	FIXER FLANGE ADJUSTABLE PLATE		02
005	0503010023	3/4" SPRING WASHER		08
006	0503010014	3/4" HEX NUT		08
007	0503012729	3/4" X 6-3/4" BOLT		08
008	0511015255	FLAT WASHER		08
009	0541012279	SLEEVE 36,7 X 50 X 120 A		02
010	0511019776	FLAT WASHER		02
011	0501010679	FLAT WASHER		02
012	0541014018	UPPER HITCH AXLE		01
013	0541012278	SLEEVE 32 X 45 X 52		01
014	0501052240	DEPTH CONTROL ARM ASSY	14	02
015	0501010216	3/4 UNC X 4.1/2 C S G.5 ZN BOLT		04
016	0503010023	3/4" SPRING WASHER		04
017	0503010014	3/4" HEX NUT		04
018	0503060094	WHEEL AND TIRE ASSY		02
019	0501017779	32 X 60 X 4.75 FLAT WASHER		05
020	0503010534	3/8 X 2-1/2 COTTERPIN		03
021	0503010233	5/8" X 2-1/2" BOLT		02
022	0571010265	16.5 X 40 X 3 FLAT WASHER		02



Item	Code	Description	See page	QT
01	0511060366	DEPTH CONTROL ARM		01
02	0501051142	CARRYING WHEEL HUB		01
03	0501016545	FLAT WASHER		01
04	0503030009	1" CASTLE NUT		01
05	0503010018	5/32 X 1-1/2 COTTERPIN		01
06	0502020591	PROTECCION COVER		01
07	0503011444	SPRING WASHER		04
08	0503010358	5/16" X 5/8" BOLT		04
09	0503010002	1800 GREASE FITTING		01



Item	Code	Description	See page	QT
01	0521060973	SUPPORT FIXER ARM REAR CARRYING-WHEELS		01





***civemasa***

**Technical Publications | Elaboration and Revision**

MARINA PEREZ NIZA

[www.civemasa.com.br](http://www.civemasa.com.br)

