

DISK HARROWS

DODHC-F 7008T

Code: 0501092124
Series: S-0517
Revision: 00
Revision Date: FEVEREIRO/2023

PARTS CATALOGUE

CIVEMASA

A solid orange horizontal bar is positioned at the top left of the page, above the "PRODUCTS" heading.

PRODUCTS

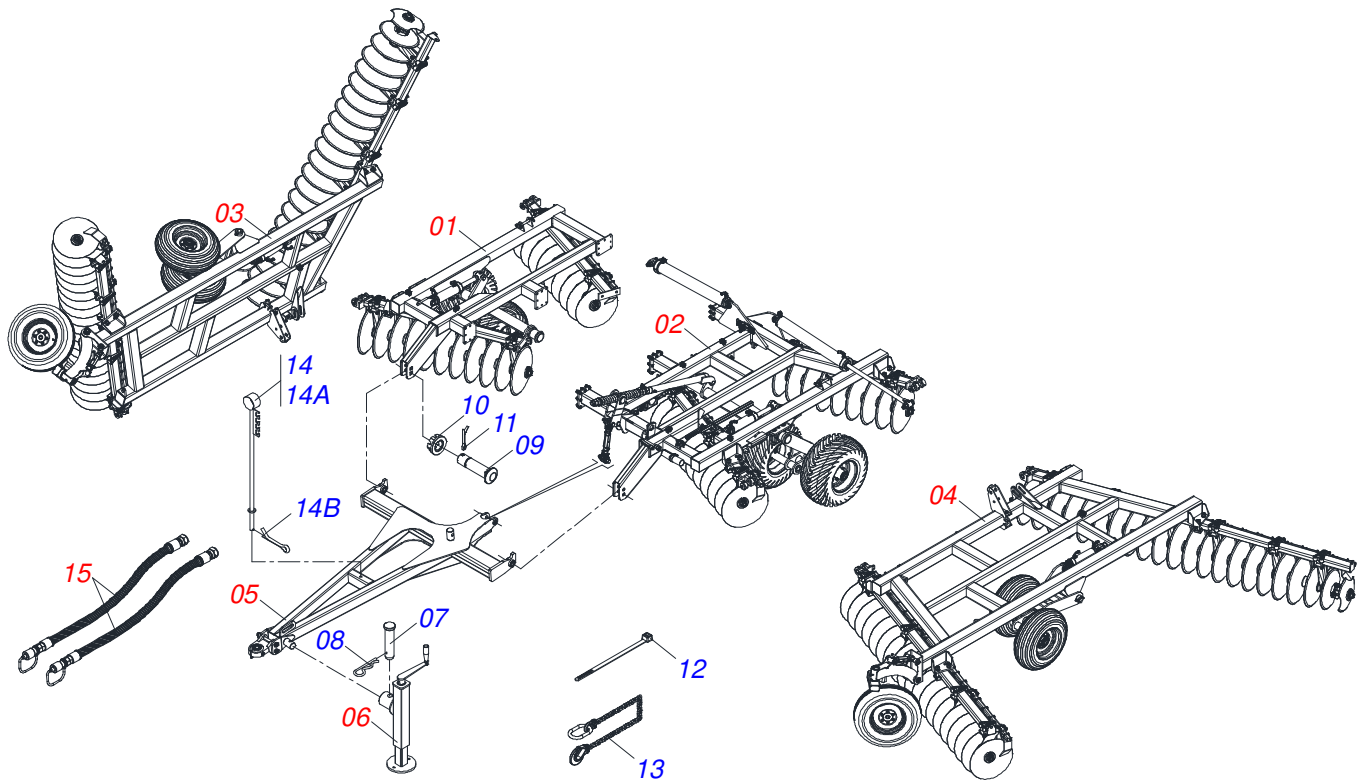
Code	Description
0121690010	DODHC-F 7008T 120X24X4,75 DM DL FF C/PN S-0517

ATTENTION: IMPORTANT

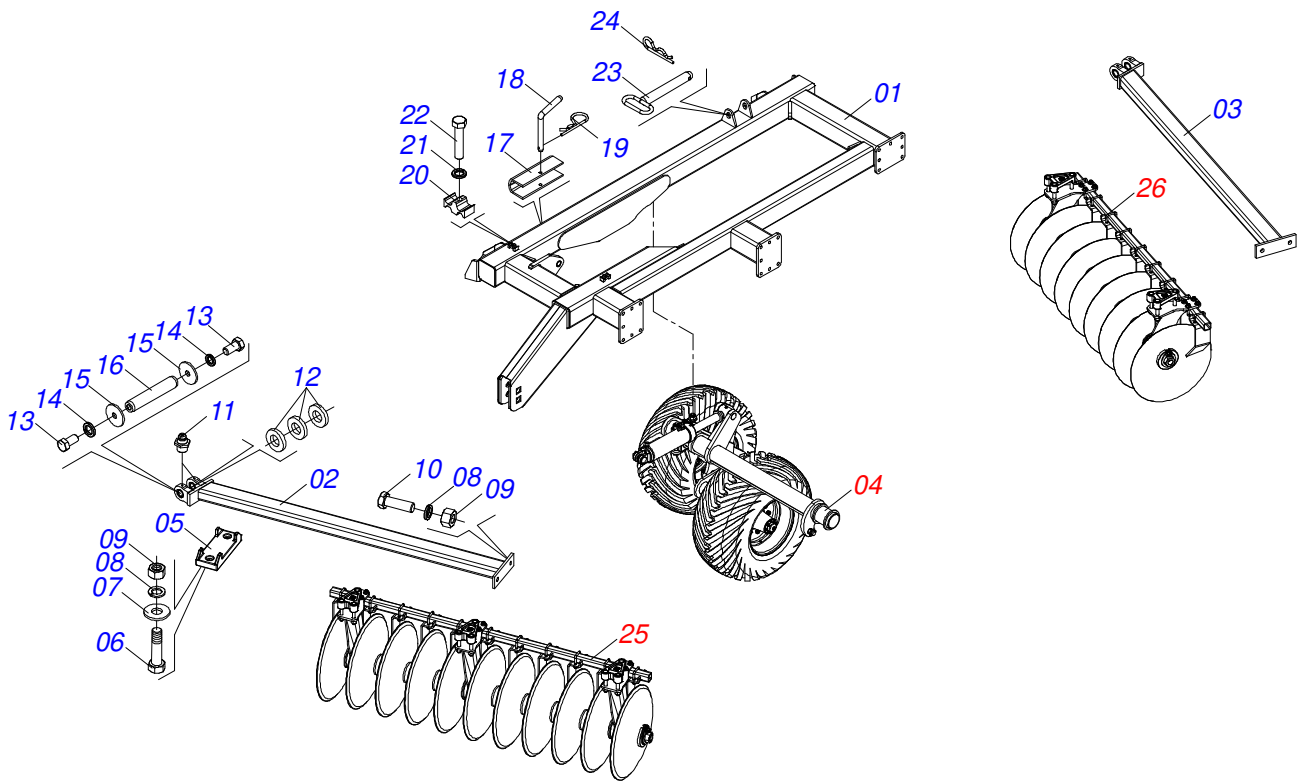
CIVEMASA reserves the right to improve and/or modify the technical features of its products, without obligation to do the same with those products already sold and without prior knowledge of the dealer or the customer. The photos are only illustrative.

INDEX

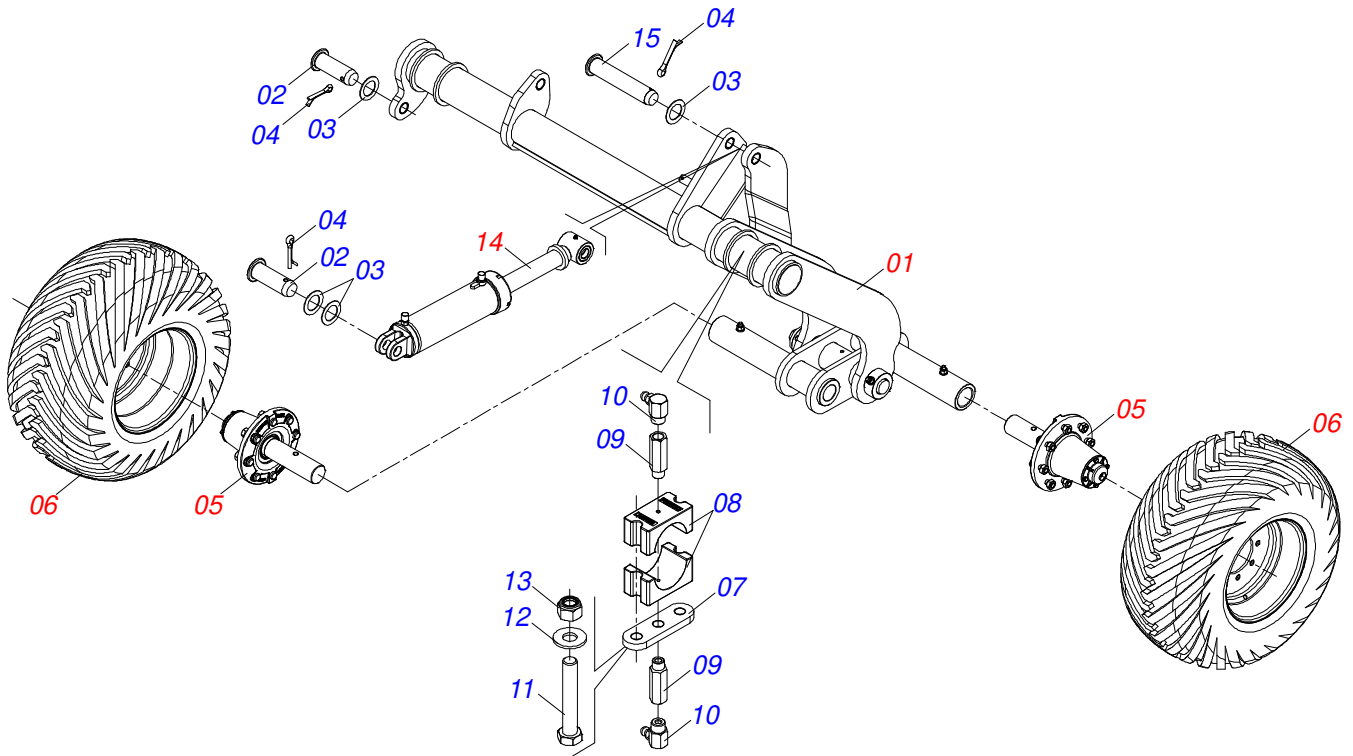
0909093724	DODHC F 7008T	1
0909093725	CENTRAL FRAME ASSY RIGHT	2
0909093730	RIGHT CENTRAL CARRYNG WHEELS ASSY	3
0521051183	RIGHT CENTRAL CARRYNG WHEELS SEMI MOUNTED	4
0501055263	CARRYING-WHEELS	5
0503060102	WHEEL AND TIRE	6
0521045650	HYDRAULIC CYLINDER	7
0909093731	CENTRAL RIGHT FRONT DISC SECTION	8
0909093732	CENTRAL RIGHT REAR DISC SECTION	9
0511040472	AGRICULTURAL BEARING	10
0909093726	ASSY LEFT CENTRAL FRAME	11
0909093733	CENTRAL LEFT FRONT DISC SECTION	12
0909093734	CENTRAL LEFT REAR DISC SECTION	13
0909093735	LEFT CENTRAL CARRYNG WHEELS ASSY	14
0521051184	LEFT CENTRAL CARRYNG WHEELS SEMI MOUNTED	15
0521045848	VALVE LIMITER COURSE	16
0521051702	ASSY PORT MANUAL INSTRUCCION	17
0909093736	STABILIZER ASSY	18
0501057418	ESTABILIZER ASSY	19
0511045827	HYDRAULIC CYLINDER 50.8 X 127 X 1292 X 933	20
0521047426	DEPTH CONTROL	21
0909093727	SIDE FRAME RIGHT ASSY	22
0909093737	RIGHT SIDE CARRYNG WHEELS ASSY	23
0521051186	RIGHT SIDE CARRYNG WHEELS	24
0503060181	WHEEL AND TIRE	25
0511045580	CARRYING WHEEL HUB ASSY	26
0521045646	HYDRAULIC CYLINDER	27
0909093738	STABILIZER RIGHT CARRYNG WHEELS ASSY	28
0511051845	RIGHT FRONT CARRYING-WHEELS	29
0511051796	RIGHT FRONT CARRYING-WHEELS	30
0503060091	L29.5"X0.63"-10L WHEEL AND	31
0501047699	ESTABILIZER ASSY	32
0909093739	RIGHT SIDE RIGHT FRONT DISC SECTION	33
0909093740	RIGHT SIDE LEFT FRONT DISC SECTION	34
0909093741	RIGHT SIDE RIGHT REAR DISC SECTION	35
0909093742	RIGHT SIDE LEFT REAR DISC SECTION	36
0909093728	SIDE FRAME LEFT ASSY	37
0909093743	LEFT SIDE CARRYNG WHEELS ASSY	38
0521051187	LEFT SIDE CARRYNG WHEELS	39
0909093744	STABILIZER LEFT CARRYNG WHEELS ASSY	40
0511051846	FRONT CARRYING-WHEELS	41
0511051797	LEFT FRONT CARRYING-WHEELS	42
0909093745	LEFT SIDE RIGHT FRONT DISC SECTION	43
0909093746	LEFT SIDE LEFT FRONT DISC SECTION	44
0909093747	LEFT SIDE RIGHT REAR DISC SECTION	45
0909093748	LEFT SIDE LEFT REAR DISC SECTION	46
0521051181	HEADER WITH HITCH	47
0511048088	DRAWBAR JACK	48
0501040257	3/4 X 1200 HOSE HOLDER A	49
0909093729	HYDRAULIC CIRCUIT	50
0501053834	MALE QUICK COUPLER	51



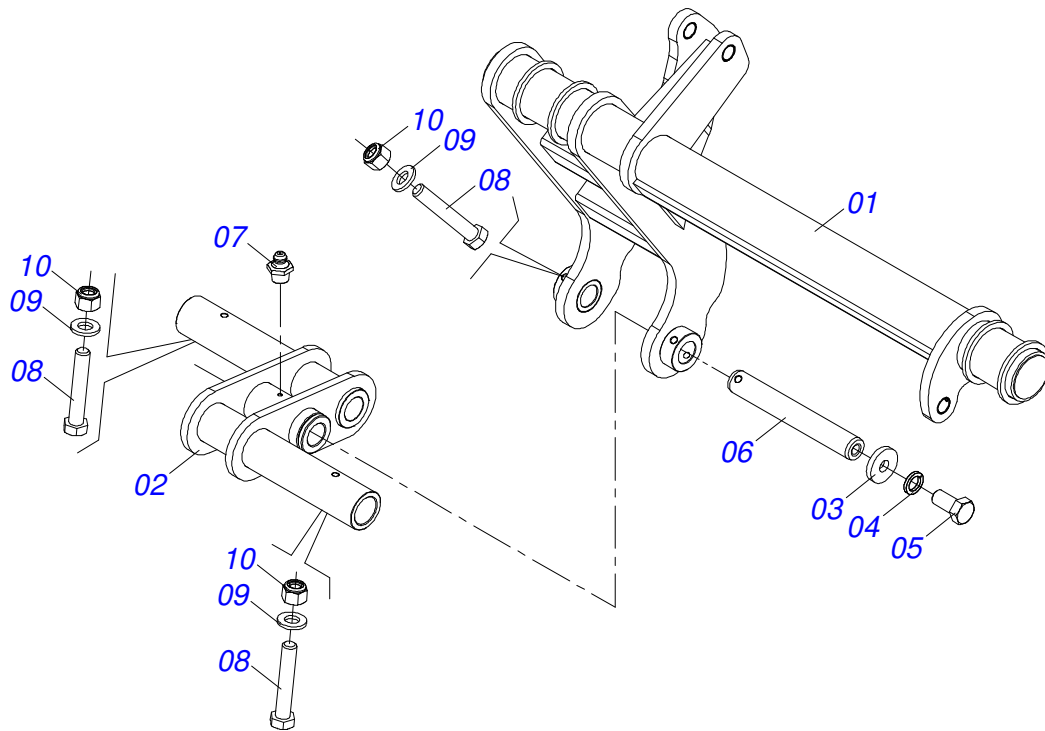
Item	Code	Description	See page	QT
01	0909093725	CENTRAL FRAME ASSY RIGHT	2	01
02	0909093726	ASSY LEFT CENTRAL FRAME	11	01
03	0909093727	SIDE FRAME RIGHT ASSY	22	01
04	0909093728	SIDE FRAME LEFT ASSY	37	01
05	0521051181	HEADER WITH HITCH	47	01
06	0511048088	DRAWBAR JACK	48	01
07	0561014251	COUPLING SHAFT		01
08	0503030012	HITCH PIN CLIP		01
09	0551013708	COUPLING SHAFT		02
10	0501011301	1.1/2 UNC 6FPP 2.5/16 NUT		02
11	0503010010	1/4" X 2.1/2" COTTERPIN		02
12	0503013100	NYLON CLAMP		16
13	0503013150	1300 X 3/8 CHAIN		01
14	0521059303	HOSE HOLDER		01
14A	0531061120	HOSE SUPPORT		01
14B	0503010523	1/4" X 2" COTTERPIN		01
15	0909093729	HYDRAULIC CIRCUIT	50	01



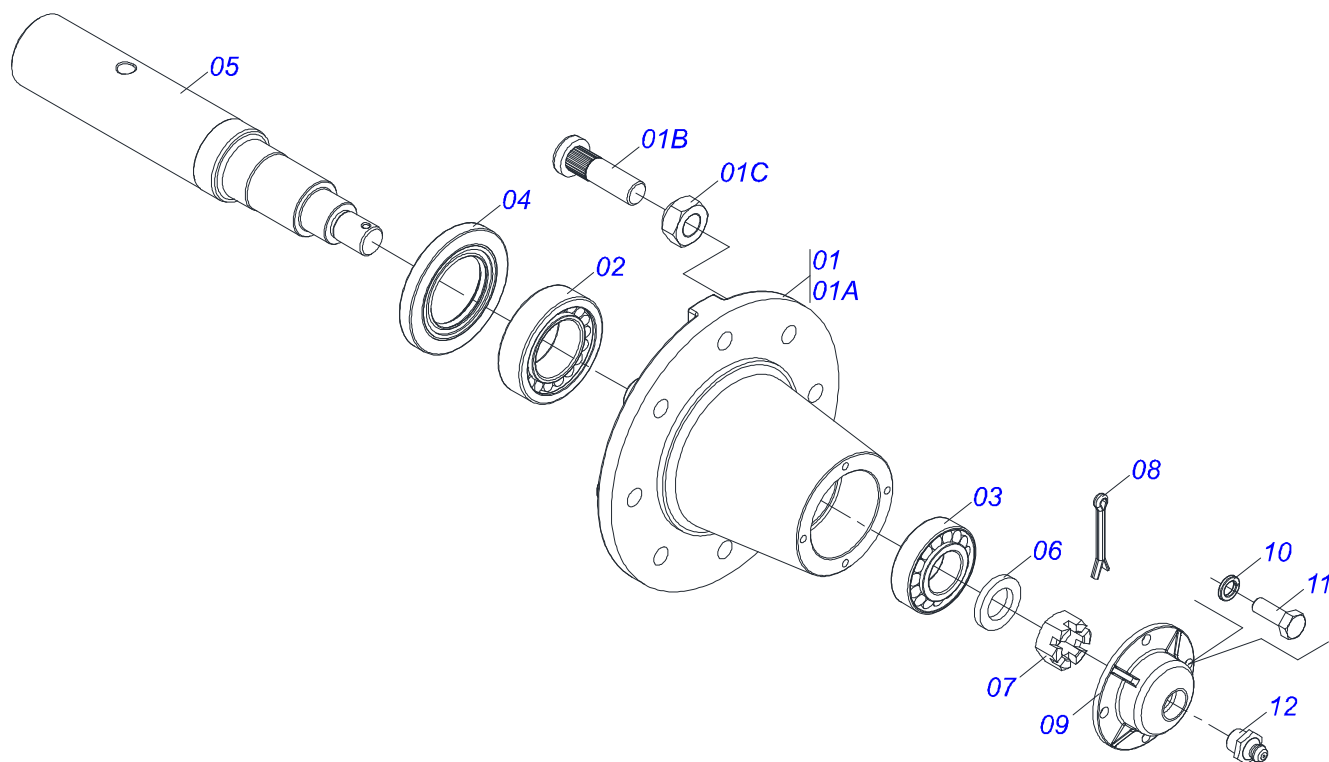
Item	Code	Description	See page	QT
01	0521067886	CENTRAL RIGHT FRAME		01
02	0511068461	REAR FRAME		01
03	0511068463	REAR FRAME		01
04	0909093730	RIGHT CENTRAL CARRYNG WHEELS ASSY	3	01
05	0502012323	BRACKET FIXER		02
06	0503013113	1" X 6" BOLT		04
07	0501016545	FLAT WASHER		04
08	0503010012	1" SPRING WASHER		08
09	0501010059	1.5/8 NUT		08
10	0501010276	BOLT		04
11	0503010002	1800 GREASE FITTING		04
12	0551014246	WASHER SPACER		06
13	0501011544	3/4" X 1-1/2" BOLT		04
14	0503010023	3/4" SPRING WASHER		04
15	0511016162	FLAT WASHER		04
16	0551013583	COUPLING SHAFT		02
17	0571014363	TRANSPORT LOCK		01
18	0541016844	FIXER LOCK		01
19	0503030285	HITCH PIN CLIP		01
20	0502012702	BODY SUPPORT CLAMP		01
21	0503010180	7/16" SPRING WASHER		01
22	0503012555	SCREW 7/16 UNC X 2 CS RT G.7 ZN		01
23	0521060352	LOCK AXLE FRAME		01
24	0503031035	HITCH PIN CLIP		01
25	0909093731	CENTRAL RIGHT FRONT DISC SECTION	8	01
26	0909093732	CENTRAL RIGHT REAR DISC SECTION	9	01



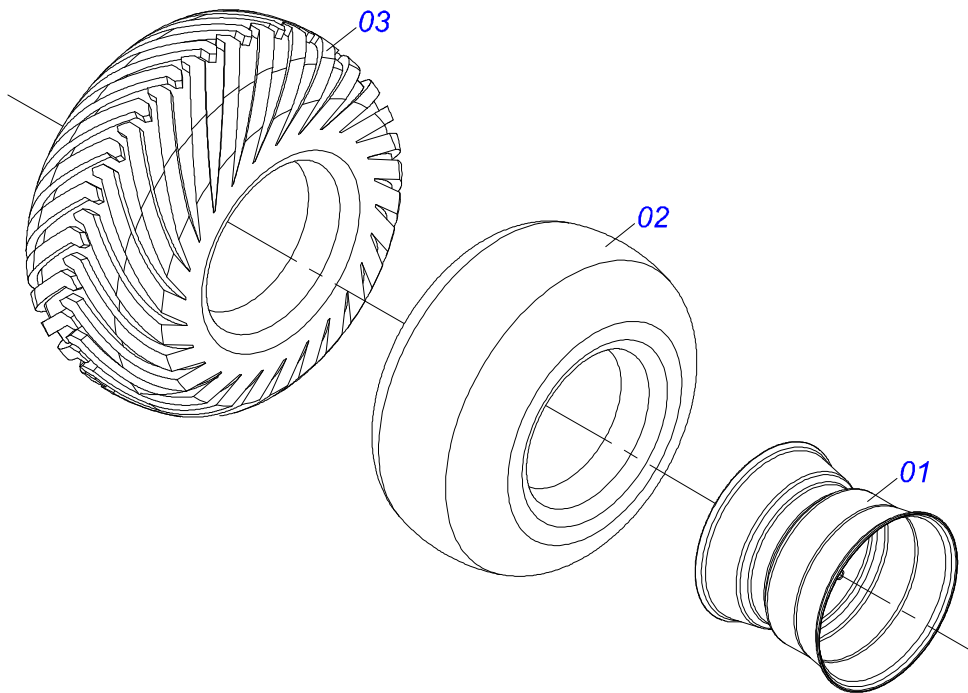
Item	Code	Description	See page	QT
01	0521051183	RIGHT CENTRAL CARRYNG WHEELS SEMI MOUNTED	4	01
02	0521012538	1.2" X 3.5" COUPLING SHAFT		02
03	0501019435	32 X 50 X 1.5 FLAT WASHER		04
04	0503010523	1/4" X 2" COTTERPIN		03
05	0501055263	CARRYING-WHEELS	5	02
06	0503060102	WHEEL AND TIRE	6	02
07	0501015593	SUPPORT PLATE		01
08	0502010673	BEARING SEMI		02
09	0521014316	EXTENSION GREASE FITTING 1/8 BSP X 40		02
10	0503010004	1890 GREASE FITTING		02
11	0503013935	GAUGE 160PSI / 10 BAR		02
12	0501010690	26 X 58 X 4.75 FLAT WASHER		02
13	0503018754	1-8 UNC NUT		02
14	0521045650	HYDRAULIC CYLINDER	7	01
15	0521010547	1.2" X 6.5" COUPLING SHAFT		01



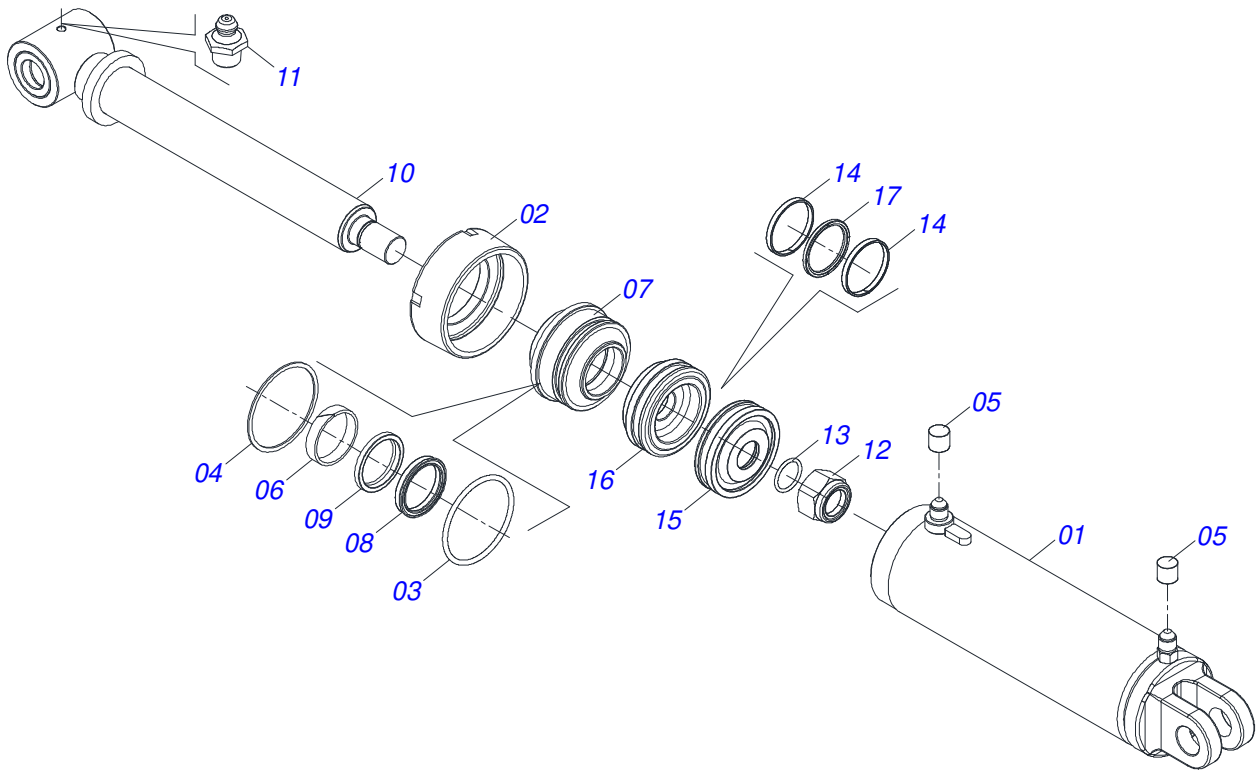
Item	Code	Description	See page	QT
01	0521067887	RIGHT CENTRAL CARRYNG WHEELS		01
02	0521062878	FRAME CENTRAL ROCKER		01
03	0501016381	FLAT WASHER		01
04	0503010012	1" SPRING WASHER		01
05	0503010953	BOLT 1 UNC X 2 C S G.5 ZN		01
06	0581014564	JUNCTION SHAFT		01
07	0503010002	1800 GREASE FITTING		02
08	0503010706	BOLT 1/2 UNC X 4.1/2 C S G.5 ZN		03
09	0521014188	FLAT WASHER		03
10	0503010589	1/2" UNC SELF ADJUSTING NUT		03



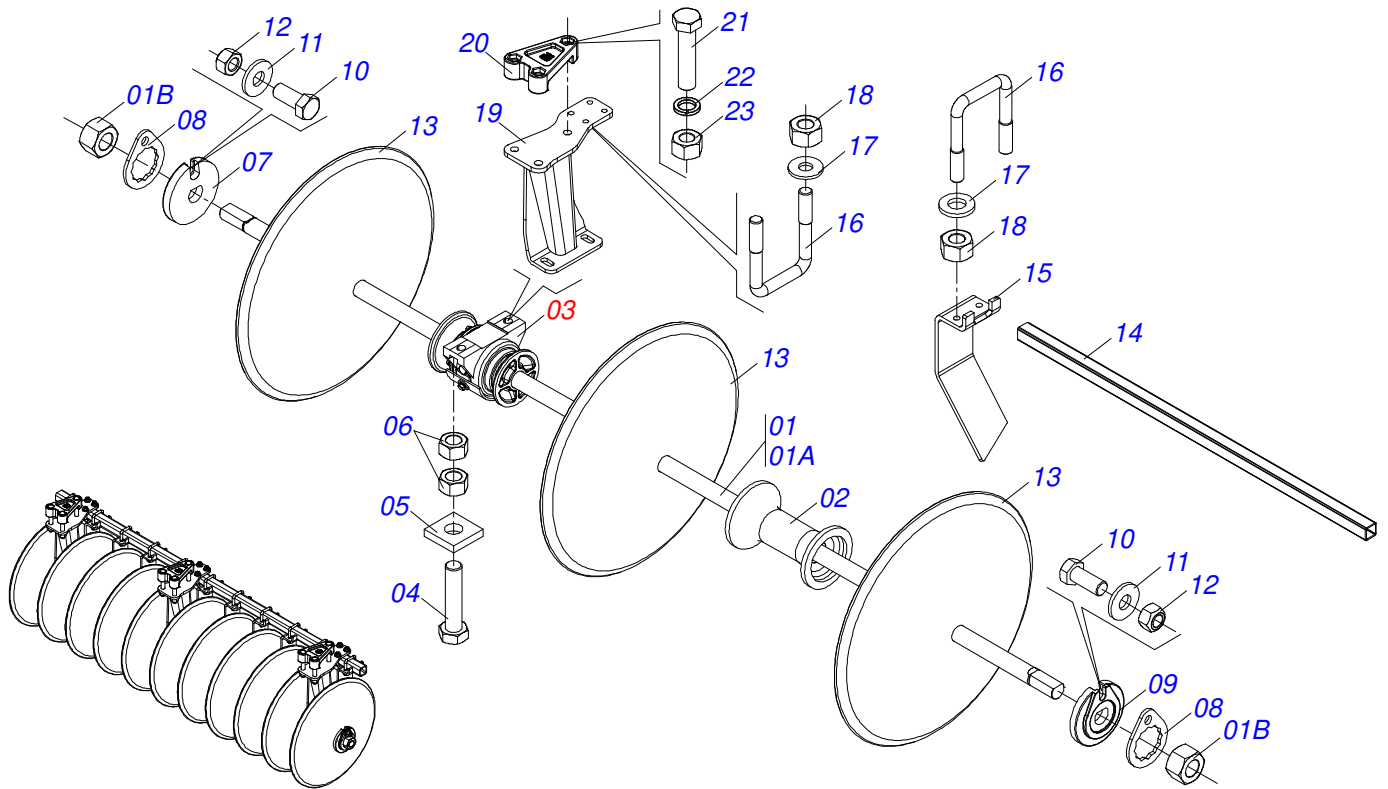
Item	Code	Description	See page	QT
01	0501110738	CARRYING WHEEL HUB	01	
01A	0502012260	TRANSPORT WHEEL BOX	01	
01B	0501010186	WHEEL SCREW 5/8UNF X 2.1/8CR	08	
01C	0503010064	5/8 UNF CONIC NUT	08	
02	0503010008	3780/3720 ROLLER BEARING	01	
03	0503014821	ROLLER BEARING	01	
04	0503013314	RETAINER 5166-GB 63,5 X 110 X 13 ARCA	01	
05	0511012494	SPINDLE	01	
06	0511012492	FLAT WASHER	01	
07	0503030009	1" CASTLE NUT	01	
08	0503010018	5/32 X 1-1/2 COTTERPIN	01	
09	0502020591	PROTECCION COVER	01	
10	0503011444	SPRING WASHER	04	
11	0503010358	5/16" X 5/8" BOLT	04	
12	0503010002	1800 GREASE FITTING	01	



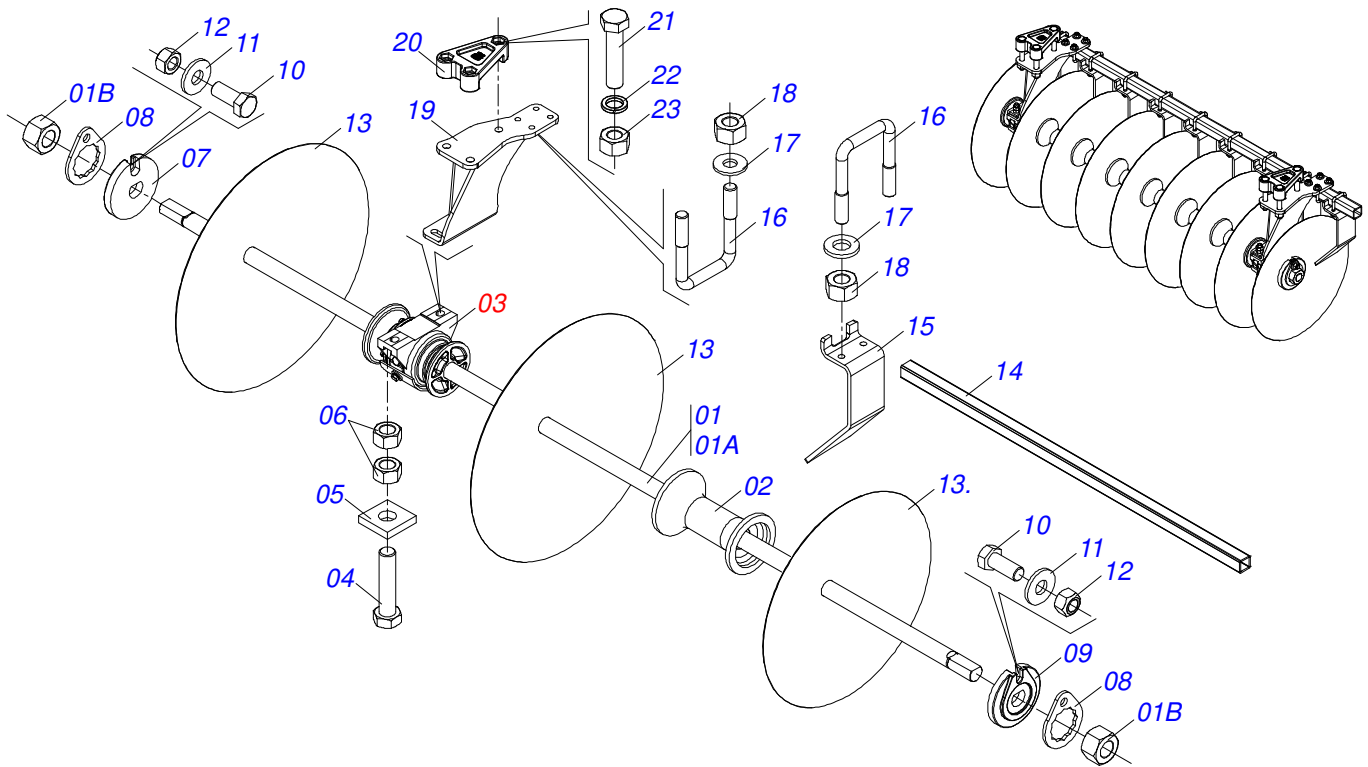
Item	Code	Description	See page	QT
01	0501069483	WHEEL		01
02	0503012112	400/60 - 15.5 TR 15 INNER TIRE		01
03	0503013119	CANVAS TIRE		01



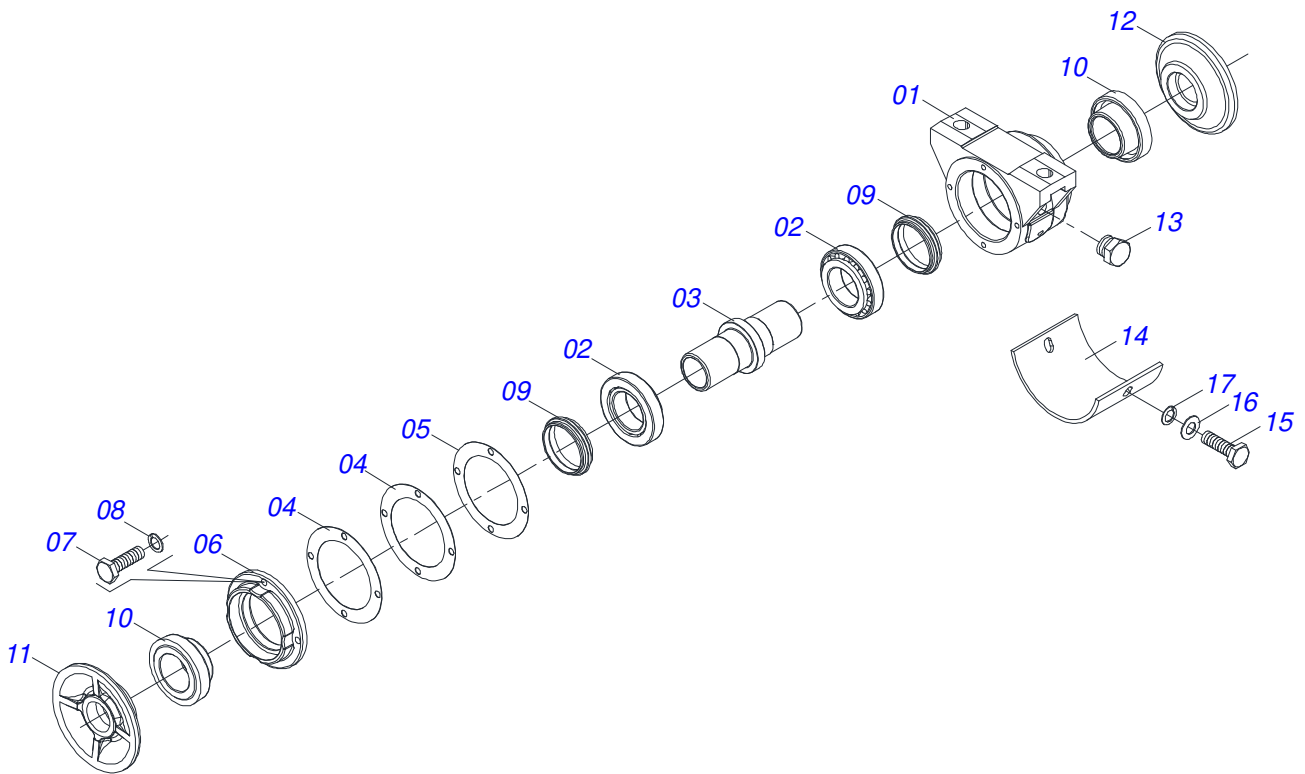
Item	Code	Description	See page	QT
01	0521066183	CYLINDER CASE		01
02	0502010017	4" HEAD		01
03	0503010338	2-342 N 3006-9B O'RING		01
04	0503011061	8-342 BACK-UP RING		01
05	0503030385	CYLINDER PLUG N-002		02
06	0503010973	W2-2500-500 PK O'RING G.E		01
07	0502011250	RING OF SUPPORT		01
08	0503015642	U-CUP SEALING		01
09	0503015715	SCRAPER SEALING		01
10	0521060656	TURNBUCLELE		01
11	0503010002	1800 GREASE FITTING		01
12	0503010817	1.1/4" SELF LOCKING NUT		01
13	0503010345	2-218 N 3006-9B O'RING		01
14	0503017889	RING GUIDE		02
15	0581012601	PISTON		01
16	0581012602	PISTON		01
17	0503018651	SEALING		01



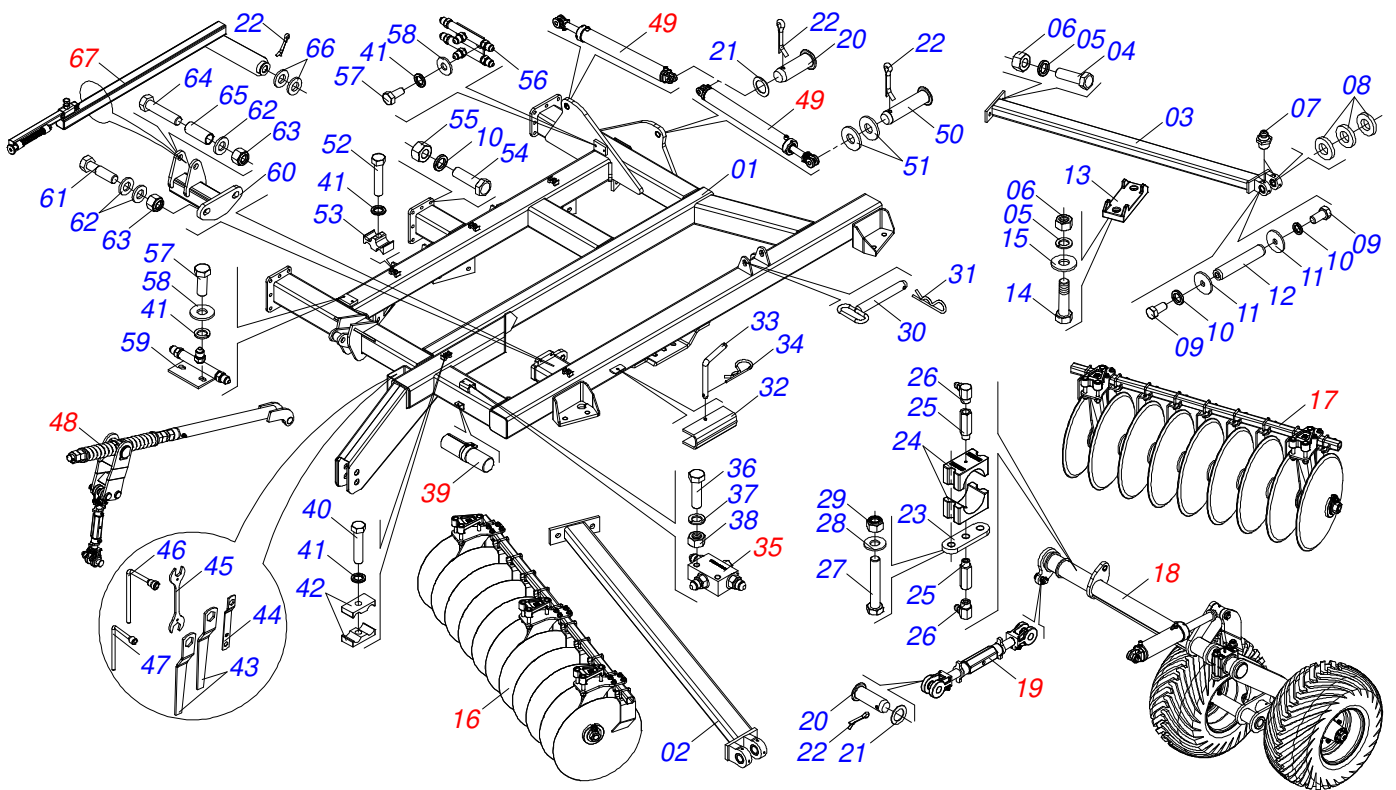
Item	Code	Description	See page	QT
01	0521051259	1.1/2 6FPP X 2120 AXLE WITH NUTS		01
01A	0581014619	1.1/2 UNC 6FPP 2120 AXIS GNACR 120		01
01B	0501010110	1.1/2" NUT		02
02	0502011594	SPACER		07
03	0511040472	AGRICULTURAL BEARING	10	03
04	0503012246	5/8" X 2-3/4" BOLT		06
05	0521013775	FLAT WASHER		06
06	0503010129	5/8" NUT		12
07	0502010872	1-1/2" INNER AXLE WASHER		01
08	0501018592	1.5/8" NUT LOCK		02
09	0502010871	1-1/2" EXTERNAL AXLE WASHER		01
10	0503011267	5/8 UNC X 1.1/2 C S G.5 ZN BOLT		02
11	0501012140	FLAT WASHER		02
12	0503012412	5/8 UNC SELF LOCKING NUT		02
13	0601031041	DL24X4,75 C76AF02FR1.9/16 TATU		11
14	0581014617	50 X 50 X 4,75 X 2170 TUBE		01
15	0551018171	SCRAPER FRONT RIGHT REAR LEFT		11
16	0511018746	1/2" UNC X 2,9" X 2,5" HOLDER		17
17	0511017302	FLAT WASHER 13,50 X 32,50 X 3,0 ZN		34
18	0503010060	1/2 UNC G.5 ZN HEX NUT		34
19	0521067904	BRACKET REAR LEFT FRONT RIGHT		03
20	0502012345	SPINDLE FIXER		03
21	0503013185	3/4" X 5-1/2" BOLT		09
22	0503010023	3/4" SPRING WASHER		09
23	0503010014	3/4" HEX NUT		09



Item	Code	Description	See page	QT
01	0521040667	1-1/2" X 1320 AXLE ASSY		01
01A	0571010816	1.1/2" X 1720 AXLE		01
01B	0501010110	1.1/2" NUT		02
02	0502011594	SPACER		06
03	0511040472	AGRICULTURAL BEARING	10	02
04	0503012246	5/8" X 2-3/4" BOLT		04
05	0521013775	FLAT WASHER		04
06	0503010129	5/8" NUT		08
07	0502010871	1-1/2" EXTERNAL AXLE WASHER		01
08	0501018592	1.5/8" NUT LOCK		02
09	0502010872	1-1/2" INNER AXLE WASHER		01
10	0503011267	5/8 UNC X 1.1/2 C S G.5 ZN BOLT		02
11	0501012140	FLAT WASHER		02
12	0503012412	5/8 UNC SELF LOCKING NUT		02
13	0601031041	DL24X4,75 C76AF02FR1.9/16 TATU		08
13.	0601029414	DL 22 X 4,5 C63AF02FR1.9/16		01
14	0551014700	TUBE		01
15	0551018172	SCRAPER FRONT LEFT REAR RIGHT		09
16	0511018746	1/2" UNC X 2,9" X 2,5" HOLDER		13
17	0511017302	FLAT WASHER 13,50 X 32,50 X 3,0 ZN		26
18	0503010060	1/2 UNC G.5 ZN HEX NUT		26
19	0521067903	SHOE FRONT LEFT REAR RIGHT		02
20	0502012345	SPINDLE FIXER		02
21	0503013185	3/4" X 5-1/2" BOLT		06
22	0503010023	3/4" SPRING WASHER		06
23	0503010014	3/4" HEX NUT		06

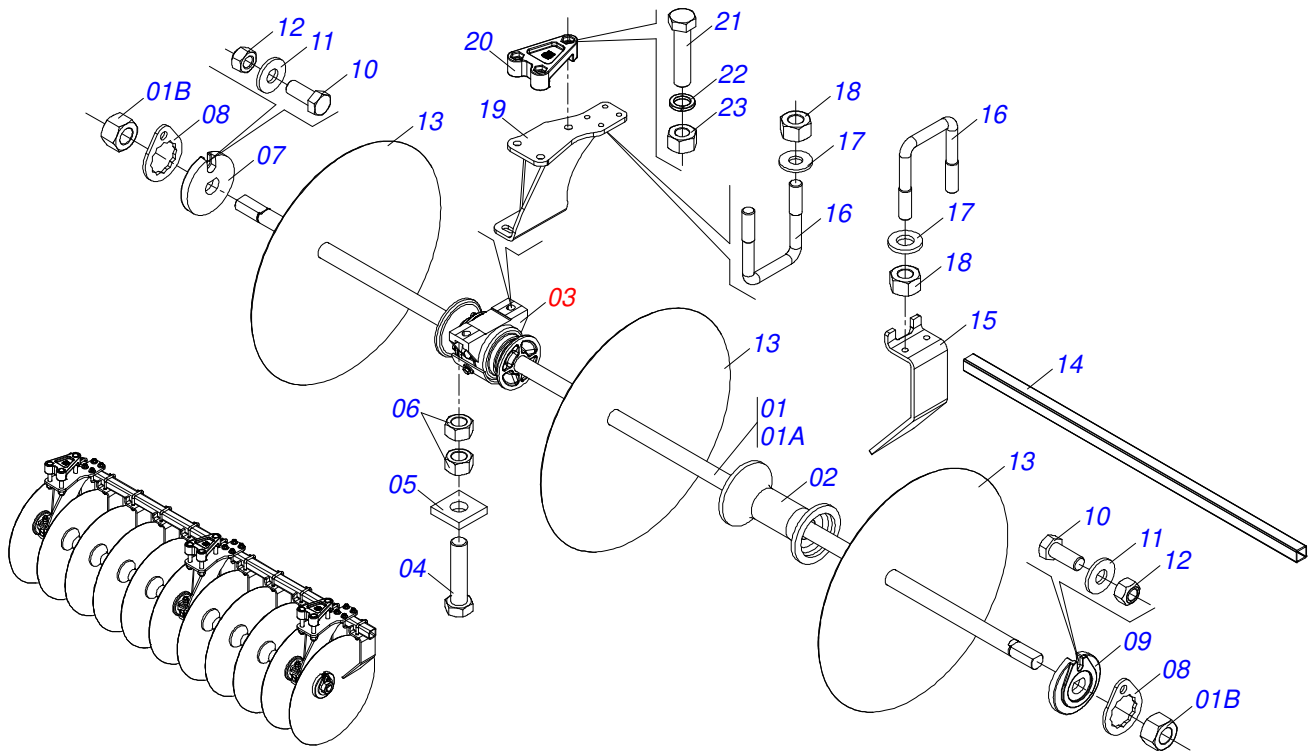


Item	Code	Description	See page	QT
01	0502012014	BODY BEARING		01
02	0503010006	32210 ROLLER BEARING		02
03	0502040514	157,50 / 157,35 AXLE		01
04	0503031730	JOINT SEALING		02
05	0503031729	JOINT SEALING		01
06	0502012015	BEARING COVER		01
07	0503010371	5/16" X 1" BOLT		04
08	0503011444	SPRING WASHER		04
09	0503030026	SEAL LP JB-253		02
10	0502010541	SEAL RETAINER		02
11	0502010604	OUTER FLANGE		01
12	0502010605	INNER FLANGE		01
13	0503010856	OIL PLUG		01
14	0521013857	PLATE PROTECTION		01
15	0503011334	BOLT 3/8 UNC X 3/4 CS G.5 ZN		02
16	0501010984	10,50 X 27 X 3,00 FLAT WASHER		02
17	0503010025	3/8 SPRING WASHER		02

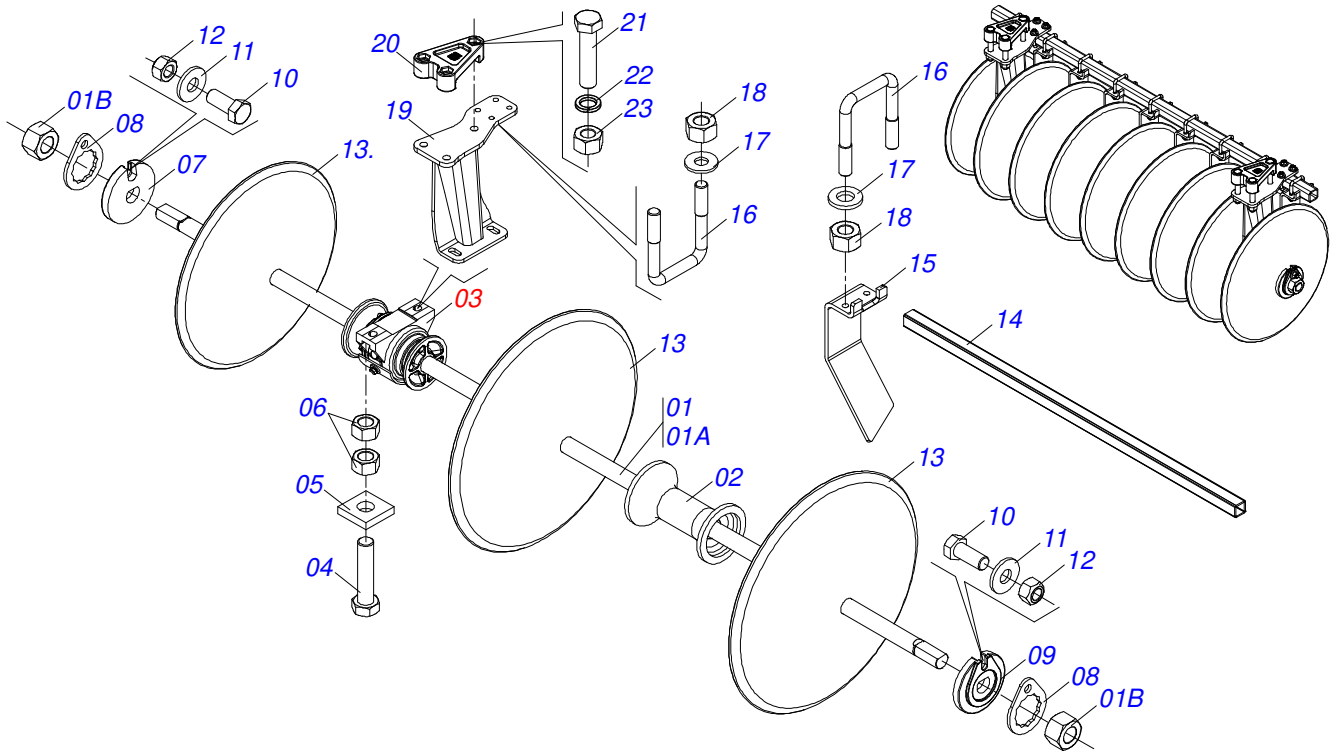


Item	Code	Description	See page	QT
01	0521067885	LEFT CENTRAL FRAME		01
02	0511068460	REAR FRAME		01
03	0511068462	REAR FRAME		01
04	0501010276	BOLT		04
05	0503010012	1" SPRING WASHER		08
06	0501010059	1.5/8 NUT		08
07	0503010002	1800 GREASE FITTING		04
08	0551014246	WASHER SPACER		06
09	0501011544	3/4" X 1-1/2" BOLT		04
10	0503010023	3/4" SPRING WASHER		25
11	0511016162	FLAT WASHER		04
12	0551013583	COUPLING SHAFT		02
13	0502012323	BRACKET FIXER		02
14	0503013113	1" X 6" BOLT		04
15	0501016545	FLAT WASHER		04
16	0909093733	CENTRAL LEFT FRONT DISC SECTION	12	01
17	0909093734	CENTRAL LEFT REAR DISC SECTION	13	01
18	0909093735	LEFT CENTRAL CARRYNG WHEELS ASSY	14	01
19	0501057418	ESTABILIZER ASSY	19	01
20	0521012538	1.2" X 3.5" COUPLING SHAFT		03
21	0501019435	32 X 50 X 1.5 FLAT WASHER		03
22	0503010523	1/4" X 2" COTTERPIN		06
23	0501015593	SUPPORT PLATE		02
24	0502010673	BEARING SEMI		04
25	0521014316	EXTENSION GREASE FITTING 1/8 BSP X 40		04
26	0503010004	1890 GREASE FITTING		04
27	0503013935	GAUGE 160PSI / 10 BAR		04
28	0501010690	26 X 58 X 4.75 FLAT WASHER		04
29	0503018754	1-8 UNC NUT		04
30	0521060352	LOCK AXLE FRAME		01
31	0503031035	HITCH PIN CLIP		01

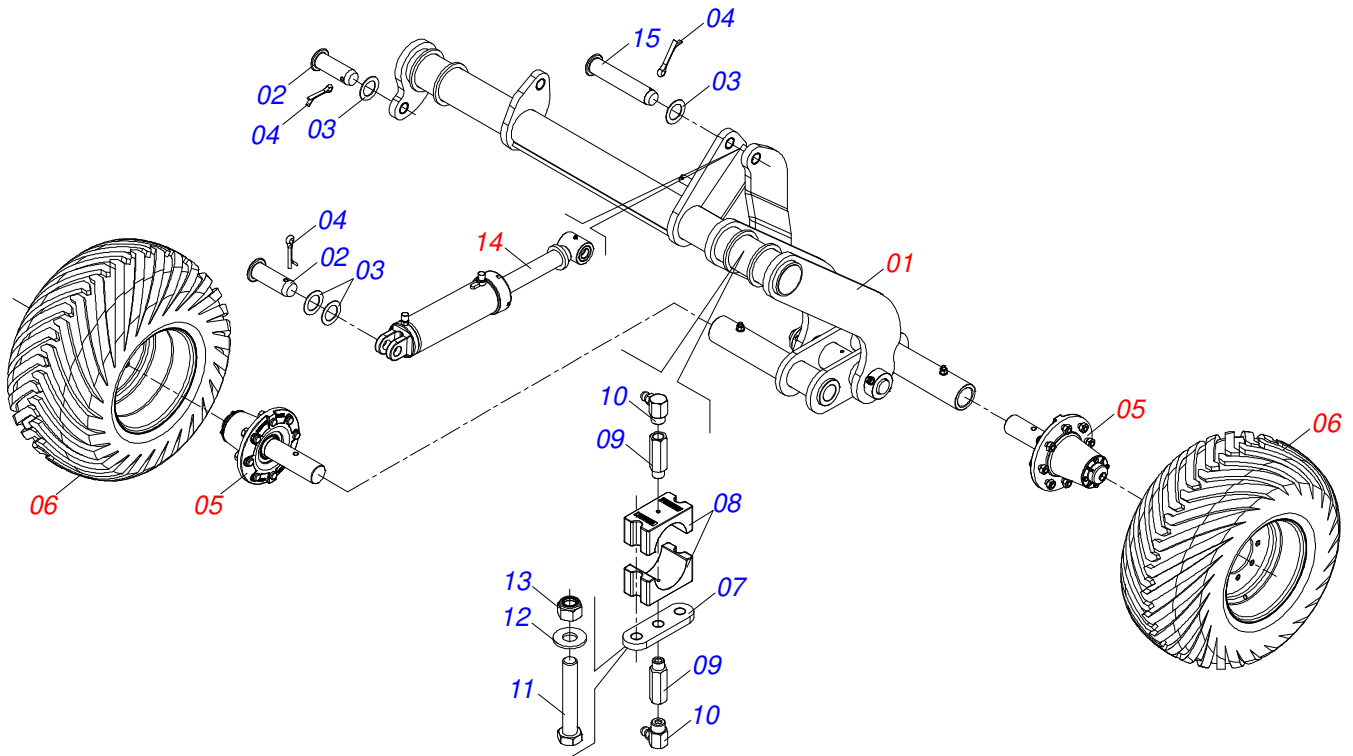
Item	Code	Description	See page	QT
32	0571014363	TRANSPORT LOCK		01
33	0541016844	FIXER LOCK		01
34	0503030285	HITCH PIN CLIP		01
35	0521045848	VALVE LIMITER COURSE	16	01
36	0503011236	3/8" X 2" BOLT		02
37	0503010025	3/8 SPRING WASHER		02
38	0503010026	3/8" NUT		02
39	0521051702	ASSY PORT MANUAL INSTRUCCION	17	01
40	0503011103	7/16" X 2-1/2" BOLT		01
41	0503010180	7/16" SPRING WASHER		07
42	0502010477	HOSE CLAMP		02
43	0501011431	1-3/4" GANG BOLT WRENCH		02
44	0511018451	5/8" X 3/4" X 1" UNIVERSAL		01
45	0541015451	FIXED KEY 2.3/8 X 2.3/4		01
46	0501061045	1" WRENCH CYLINDRICAL		01
47	0503016140	3/4" WRENCH CABLE CYLINDRICAL		01
48	0909093736	STABILIZER ASSY	18	01
49	0511045827	HYDRAULIC CYLINDER 50.8 X 127 X 1292 X 933	20	02
50	0521010547	1.2" X 6.5" COUPLING SHAFT		02
51	0501017779	32 X 60 X 4.75 FLAT WASHER		04
52	0503012555	SCREW 7/16 UNC X 2 CS RT G.7 ZN		04
53	0502012702	BODY SUPPORT CLAMP		05
54	0501010125	3/4" X 2-1/2" BOLT		21
55	0503010014	3/4" HEX NUT		21
56	0501068706	DOUBLE CONNECTION		01
57	0503011338	7/16" X 1" BOLT		04
58	0501012803	FLAT WASHER		04
59	0501068707	SIMPLE CONNECTION		01
60	0521067895	DEPTH CONTROL SUPPORT		01
61	0503011172	BOLT 1/2 UNC X 2.1/2 C S G.5 ZN		02
62	0521014188	FLAT WASHER		09
63	0503010589	1/2" UNC SELF ADJUSTING NUT		05
64	0503010479	BOLT		01
65	0581014588	13 X 16 X 41,50 GLOVE		01
66	0501011445	FLAT WASHER		02
67	0521047426	DEPTH CONTROL	21	01



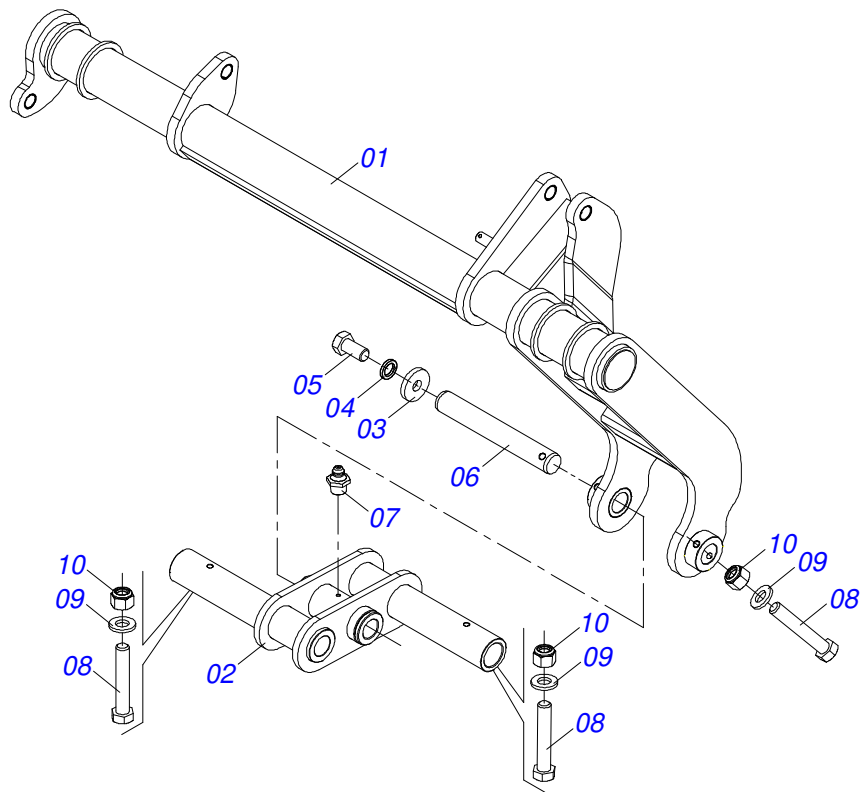
Item	Code	Description	See page	QT
01	0521051259	1.1/2 6FPP X 2120 AXLE WITH NUTS		01
01A	0581014619	1.1/2 UNC 6FPP 2120 AXIS GNACR 120		01
01B	0501010110	1.1/2" NUT		02
02	0502011594	SPACER		07
03	0511040472	AGRICULTURAL BEARING	10	03
04	0503012246	5/8" X 2-3/4" BOLT		06
05	0521013775	FLAT WASHER		06
06	0503010129	5/8" NUT		12
07	0502010871	1-1/2" EXTERNAL AXLE WASHER		01
08	0501018592	1.5/8" NUT LOCK		02
09	0502010872	1-1/2" INNER AXLE WASHER		01
10	0503011267	5/8 UNC X 1.1/2 C S G.5 ZN BOLT		02
11	0501012140	FLAT WASHER		02
12	0503012412	5/8 UNC SELF LOCKING NUT		02
13	0601031041	DL24X4,75 C76AF02FR1.9/16 TATU		11
14	0551014700	TUBE		01
15	0551018172	SCRAPER FRONT LEFT REAR RIGHT		11
16	0511018746	1/2" UNC X 2,9" X 2,5" HOLDER		17
17	0511017302	FLAT WASHER 13,50 X 32,50 X 3,0 ZN		34
18	0503010060	1/2 UNC G.5 ZN HEX NUT		34
19	0521067903	SHOE FRONT LEFT REAR RIGHT		03
20	0502012345	SPINDLE FIXER		03
21	0503013185	3/4" X 5-1/2" BOLT		09
22	0503010023	3/4" SPRING WASHER		09
23	0503010014	3/4" HEX NUT		09



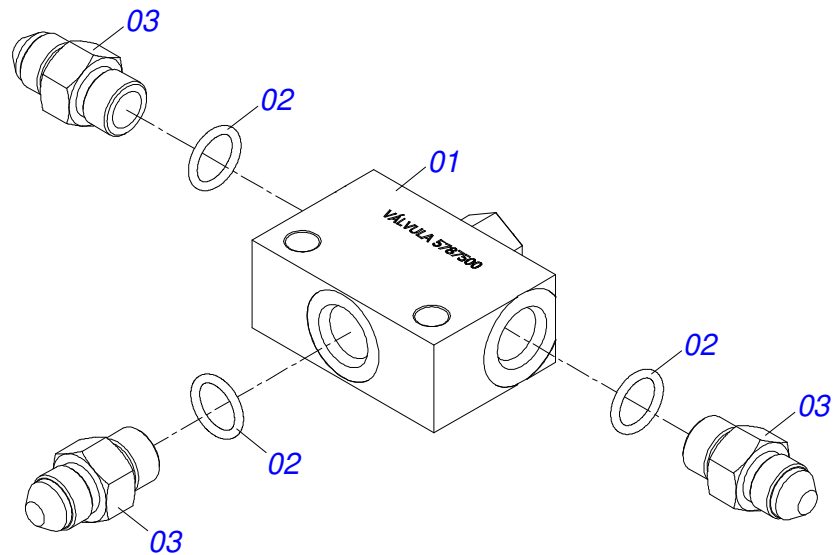
Item	Code	Description	See page	QT
01	0521040667	1-1/2" X 1320 AXLE ASSY		01
01A	0571010816	1.1/2" X 1720 AXLE		01
01B	0501010110	1.1/2" NUT		02
02	0502011594	SPACER		06
03	0511040472	AGRICULTURAL BEARING	10	02
04	0503012246	5/8" X 2-3/4" BOLT		04
05	0521013775	FLAT WASHER		04
06	0503010129	5/8" NUT		08
07	0502010872	1-1/2" INNER AXLE WASHER		01
08	0501018592	1.5/8" NUT LOCK		02
09	0502010871	1-1/2" EXTERNAL AXLE WASHER		01
10	0503011267	5/8 UNC X 1.1/2 C S G.5 ZN BOLT		02
11	0501012140	FLAT WASHER		02
12	0503012412	5/8 UNC SELF LOCKING NUT		02
13	0601031041	DL24X4,75 C76AF02FR1.9/16 TATU		08
13.	0601029414	DL 22 X 4,5 C63AF02FR1.9/16		01
14	0551014700	TUBE		01
15	0551018171	SCRAPER FRONT RIGHT REAR LEFT		09
16	0511018746	1/2" UNC X 2,9" X 2,5" HOLDER		13
17	0511017302	FLAT WASHER 13,50 X 32,50 X 3,0 ZN		26
18	0503010060	1/2 UNC G.5 ZN HEX NUT		26
19	0521067904	BRACKET REAR LEFT FRONT RIGHT		02
20	0502012345	SPINDLE FIXER		02
21	0503013185	3/4" X 5-1/2" BOLT		06
22	0503010023	3/4" SPRING WASHER		06
23	0503010014	3/4" HEX NUT		06



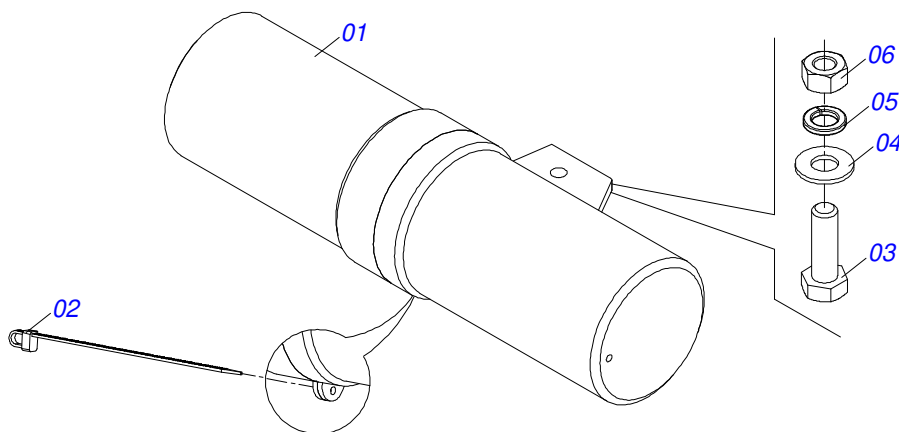
Item	Code	Description	See page	QT
01	0521051184	LEFT CENTRAL CARRYNG WHEELS SEMI MOUNTED	15	01
02	0521012538	1.2" X 3.5" COUPLING SHAFT		02
03	0501019435	32 X 50 X 1.5 FLAT WASHER		04
04	0503010523	1/4" X 2" COTTERPIN		03
05	0501055263	CARRYING-WHEELS	5	02
06	0503060102	WHEEL AND TIRE	6	02
07	0501015593	SUPPORT PLATE		01
08	0502010673	BEARING SEMI		02
09	0521014316	EXTENSION GREASE FITTING 1/8 BSP X 40		02
10	0503010004	1890 GREASE FITTING		02
11	0503013935	GAUGE 160PSI / 10 BAR		02
12	0501010690	26 X 58 X 4.75 FLAT WASHER		02
13	0503018754	1-8 UNC NUT		02
14	0521045650	HYDRAULIC CYLINDER	7	01
15	0521010547	1.2" X 6.5" COUPLING SHAFT		01



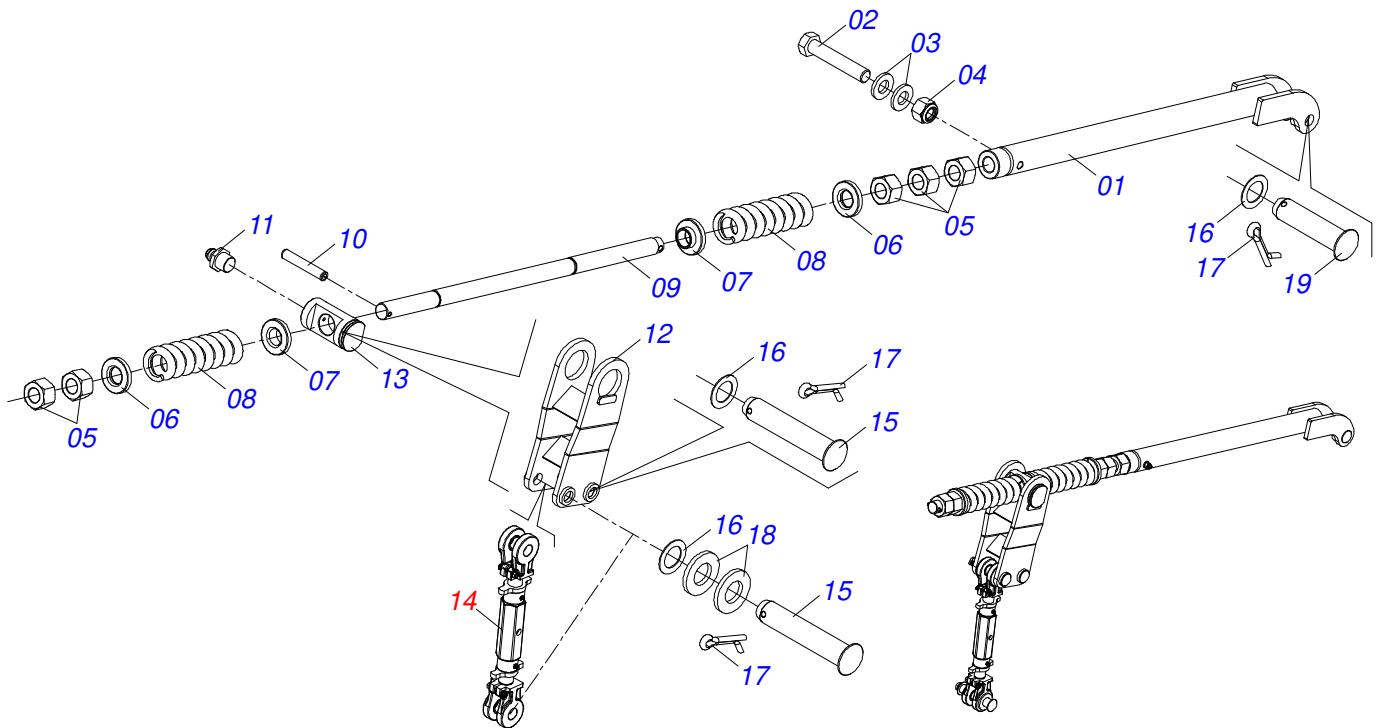
Item	Code	Description	See page	QT
01	0521067888	LEFT CENTRAL CARRYNG WHEELS		01
02	0521062878	FRAME CENTRAL ROCKER		01
03	0501016381	FLAT WASHER		01
04	0503010012	1" SPRING WASHER		01
05	0503010953	BOLT 1 UNC X 2 C S G.5 ZN		01
06	0581014564	JUNCTION SHAFT		01
07	0503010002	1800 GREASE FITTING		02
08	0503010706	BOLT 1/2 UNC X 4.1/2 C S G.5 ZN		03
09	0521014188	FLAT WASHER		03
10	0503010589	1/2" UNC SELF ADJUSTING NUT		03



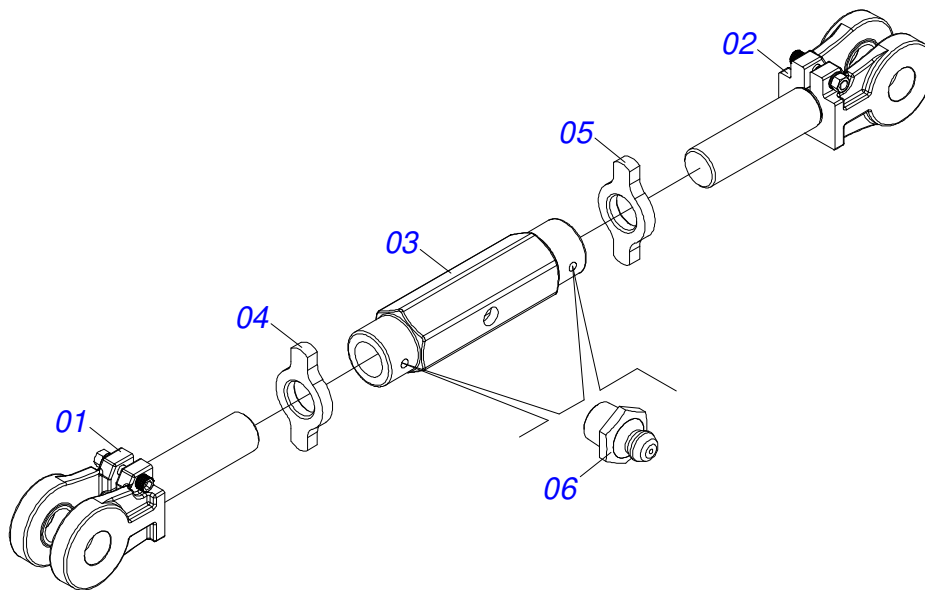
Item	Code	Description	See page	QT
001	0503062610	VALVE LIMITER COURSE		01
002	0503010190	2-114 N 3006-9B O'RING		03
003	0501010617	3/4" NIPPLE		03



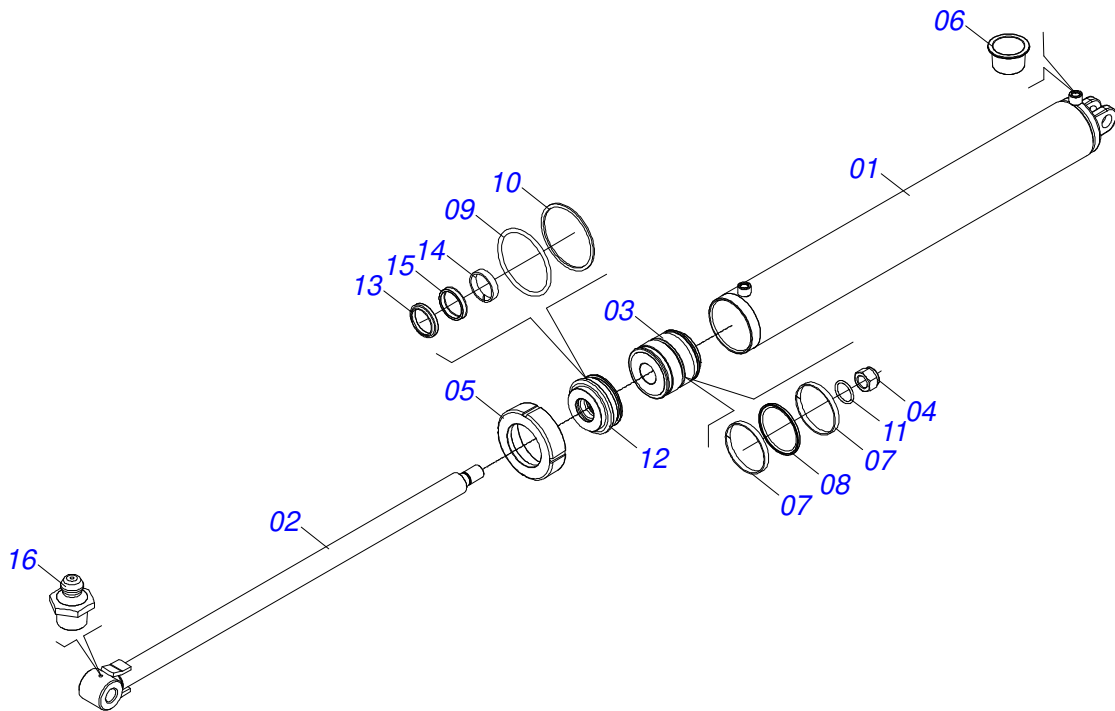
Item	Code	Description	See page	QT
001	0503060100	INSTRUCTIONS MANUAL CANISTER		01
002	0503010267	NYLON CLAMP		01
003	0503010363	BOLT 5/16 UNC X 1 C S G.2 ZN		01
004	0501010694	FLAT WASHER		01
005	0503010179	LOCK WASHER 5/16 ZN 1K01528		01
006	0503010337	5/16" NUT		01



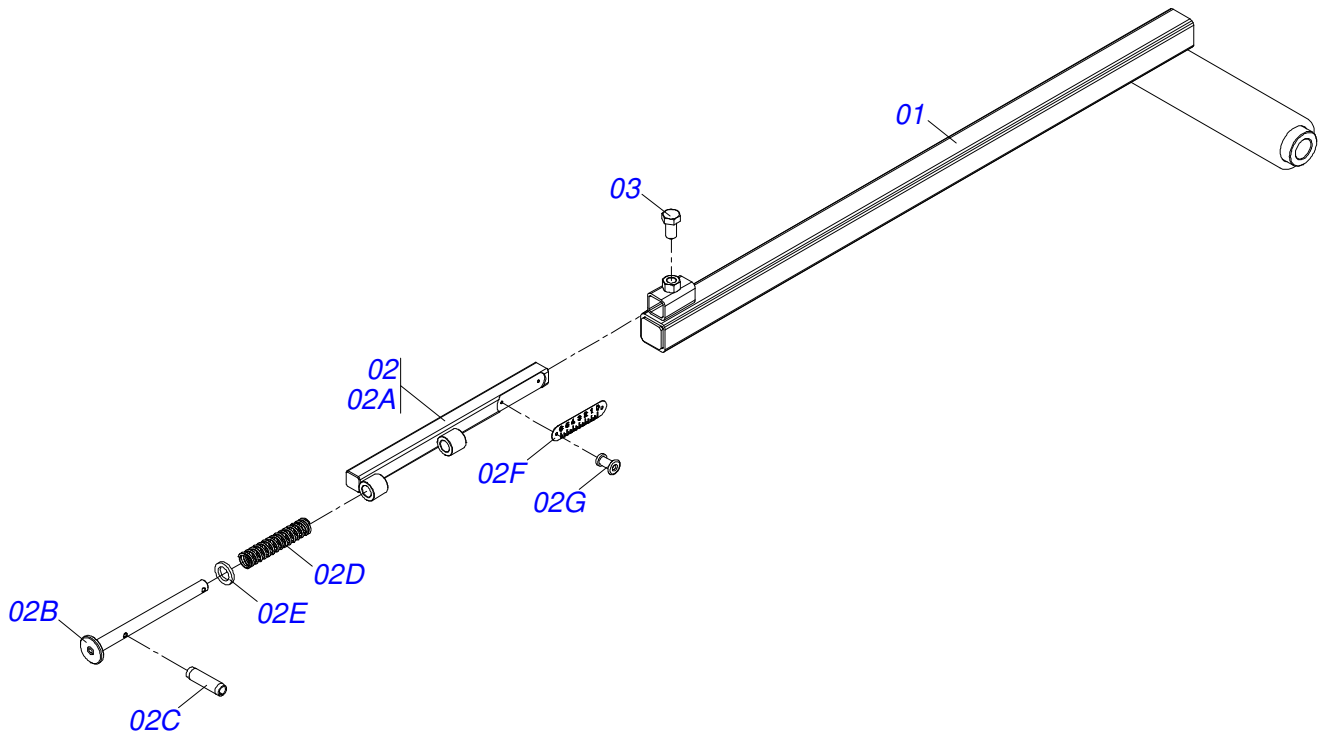
Item	Code	Description	See page	QT
01	0521067891	ADJUSTMENT BAR		01
02	0503010547	1/2" X 4" BOLT		01
03	0521014188	FLAT WASHER		02
04	0503010589	1/2" UNC SELF ADJUSTING NUT		01
05	0501010333	1.3/4" NUT		02
06	0581014587	46 X 95 X 16,00 WASHER		02
07	0581014586	GLOVE GUIDE		02
08	0503033826	SPRING		02
09	0581014579	BAR SCREW		01
10	0503010361	SPRING PIN		01
11	0503010002	1800 GREASE FITTING		01
12	0521067892	BALANCE		01
13	0581014578	GUIDE		01
14	0501057418	ESTABILIZER ASSY	19	01
15	0521010547	1.2" X 6.5" COUPLING SHAFT		03
16	0501019435	32 X 50 X 1.5 FLAT WASHER		04
17	0503010523	1/4" X 2" COTTERPIN		04
18	0501010086	FLAT WASHER		04
19	0521012536	COUPLING SHAFT		01



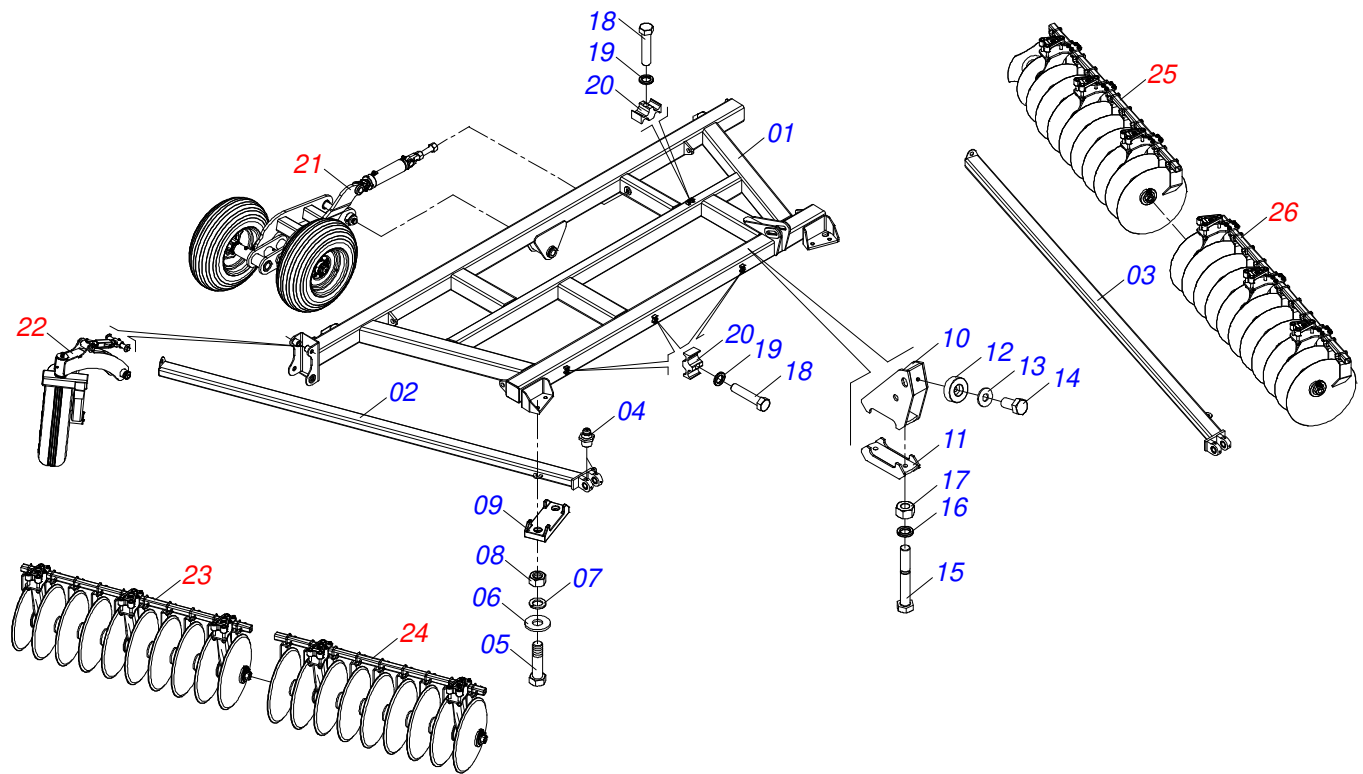
Item	Code	Description	See page	QT
01	0521060347	FORK JACK LEFT		01
02	0521060346	FORK JACK RIGHT		01
03	0502011195	ADJUSTMENT NUT BODY		01
04	0541018673	COUNTERNUT		01
05	0541018672	COUNTERNUT		01
06	0503010002	1800 GREASE FITTING		02



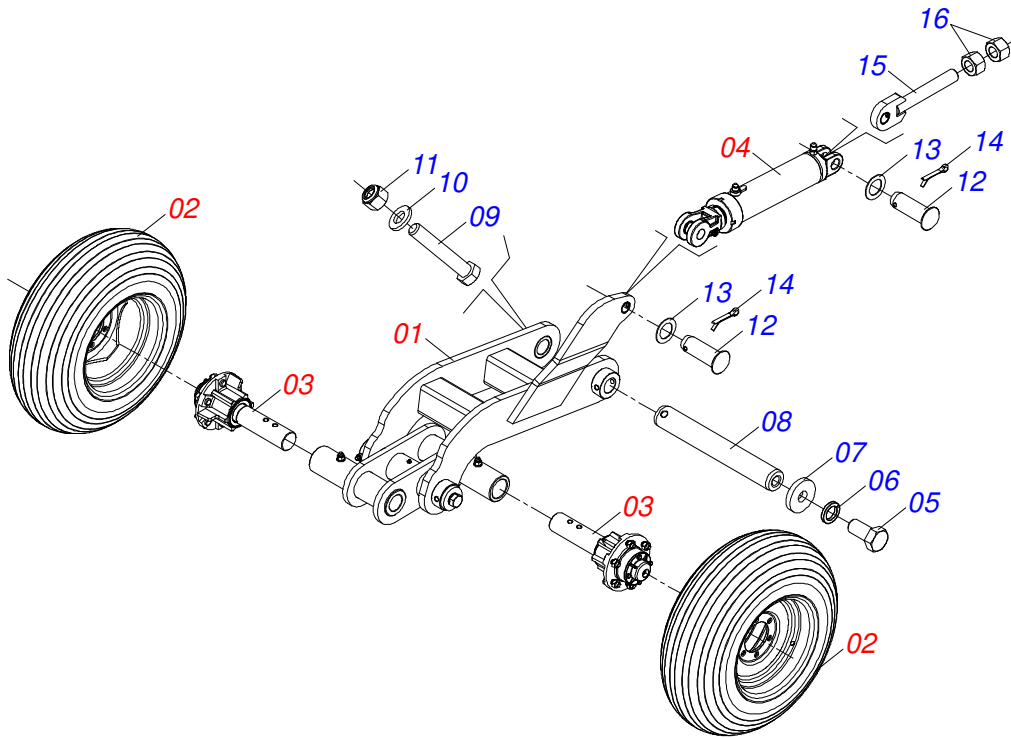
Item	Code	Description	See page	QT
01	0511068524	CYLINDER BARREL		01
02	0511069760	50.80 X 1215 ROD		01
03	0502012518	50.8 X 127 PISTON		01
04	0503010817	1.1/4" SELF LOCKING NUT		01
05	0502010382	5" END CAP		01
06	0503030384	CON PLUG N-001		02
07	0503010974	W2-5000-500 RING		02
08	0503013440	OE 127 GASKET		01
09	0503010351	2-425 N 3006-9B O'RING		01
10	0503011062	8-425 BACK-UP RING		01
11	0503010345	2-218 N 3006-9B O'RING		01
12	0502012227	50.80 X 127 RING SUPPORT		01
13	0503010952	W2-2250-500 RING		01
14	0503010039	D-2000 SCRAPER RING		01
15	0503010991	1870-2000-375-B GASKET		01
16	0503010002	1800 GREASE FITTING		01
17	0501039856	HYDRAULIC CYLINDER REPAIR KIT		01



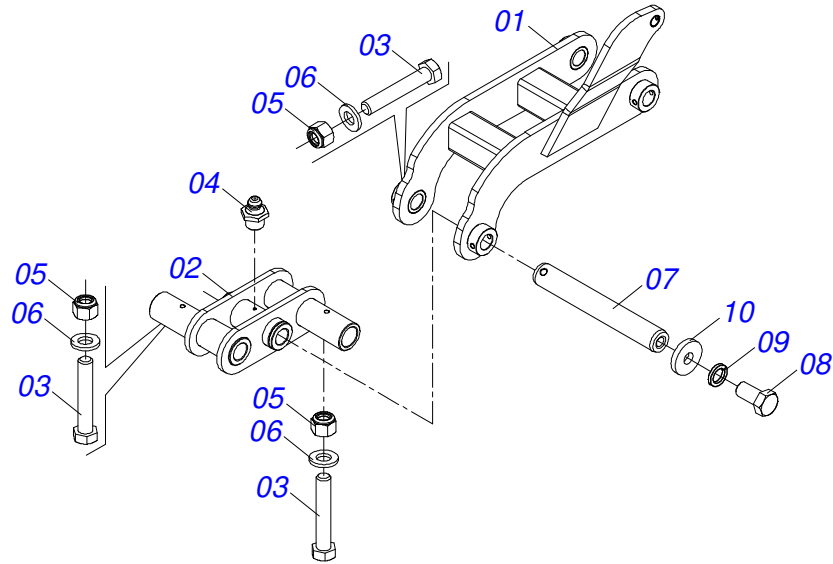
Item	Code	Description	See page	QT
01	0521067893	DEPTH CONTROL SUPPORT		01
02	0511059126	DEPTH CONTROL REGULATOR WITH SCALE		01
02A	0521067320	ADJUSTMENT AXLE		01
02B	0521067321	BEATER FRAME		01
02C	0503010686	0.2" X 0.7" SPRING PIN		02
02D	0503030170	COMPRESSION SPRING		01
02E	0581012941	FLAT WASHER		01
02F	0503030886	SCALE DOSER		01
02G	0503010001	3.2 X 5.5 RIVET		02
03	0501018535	1/2 X 1 BOLT		01



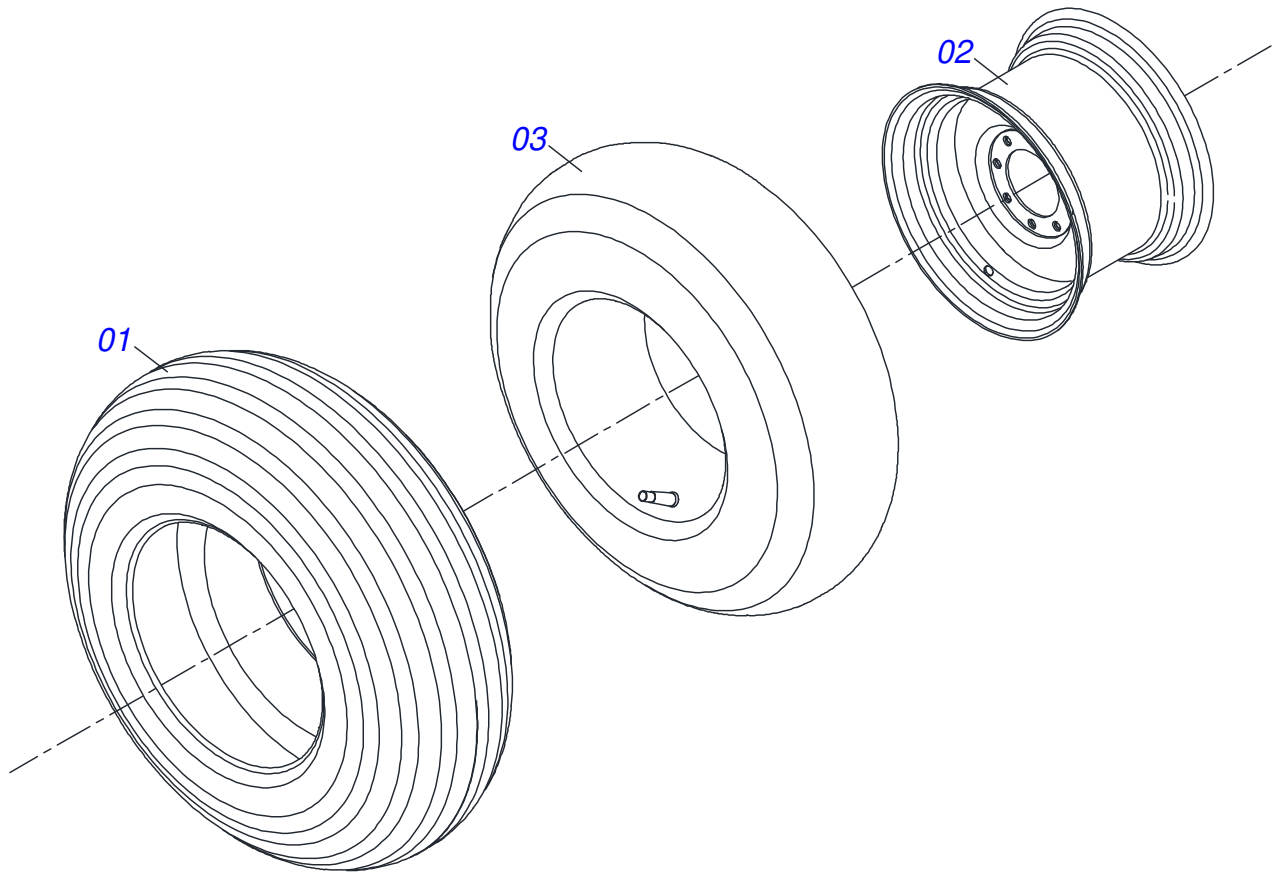
Item	Code	Description	See page	QT
01	0511068429	RIGHT SIDE FRAME		01
02	0521062355	SIDE REAR FRAME		01
03	0521062357	REAR FRAME		01
04	0503010002	1800 GREASE FITTING		04
05	0503013113	1" X 6" BOLT		08
06	0501016545	FLAT WASHER		08
07	0503010012	1" SPRING WASHER		08
08	0501010059	1.5/8 NUT		08
09	0502012323	BRACKET FIXER		04
10	0521060351	BEATER FRAME		01
11	0511068361	FIXER		01
12	0581011153	FRAME BEAT		01
13	0571010265	16.5 X 40 X 3 FLAT WASHER		01
14	0503010962	5/8" X 1-1/4" BOLT		01
15	0511016281	3/4" X 8" BOLT		02
16	0503010023	3/4" SPRING WASHER		02
17	0503010014	3/4" HEX NUT		02
18	0503012555	SCREW 7/16 UNC X 2 CS RT G.7 ZN		04
19	0503010180	7/16" SPRING WASHER		04
20	0502012702	BODY SUPPORT CLAMP		04
21	0909093737	RIGHT SIDE CARRYNG WHEELS ASSY	23	01
22	0909093738	STABILIZER RIGHT CARRYNG WHEELS ASSY	28	01
23	0909093739	RIGHT SIDE RIGHT FRONT DISC SECTION	33	01
24	0909093740	RIGHT SIDE LEFT FRONT DISC SECTION	34	01
25	0909093741	RIGHT SIDE RIGHT REAR DISC SECTION	35	01
26	0909093742	RIGHT SIDE LEFT REAR DISC SECTION	36	01



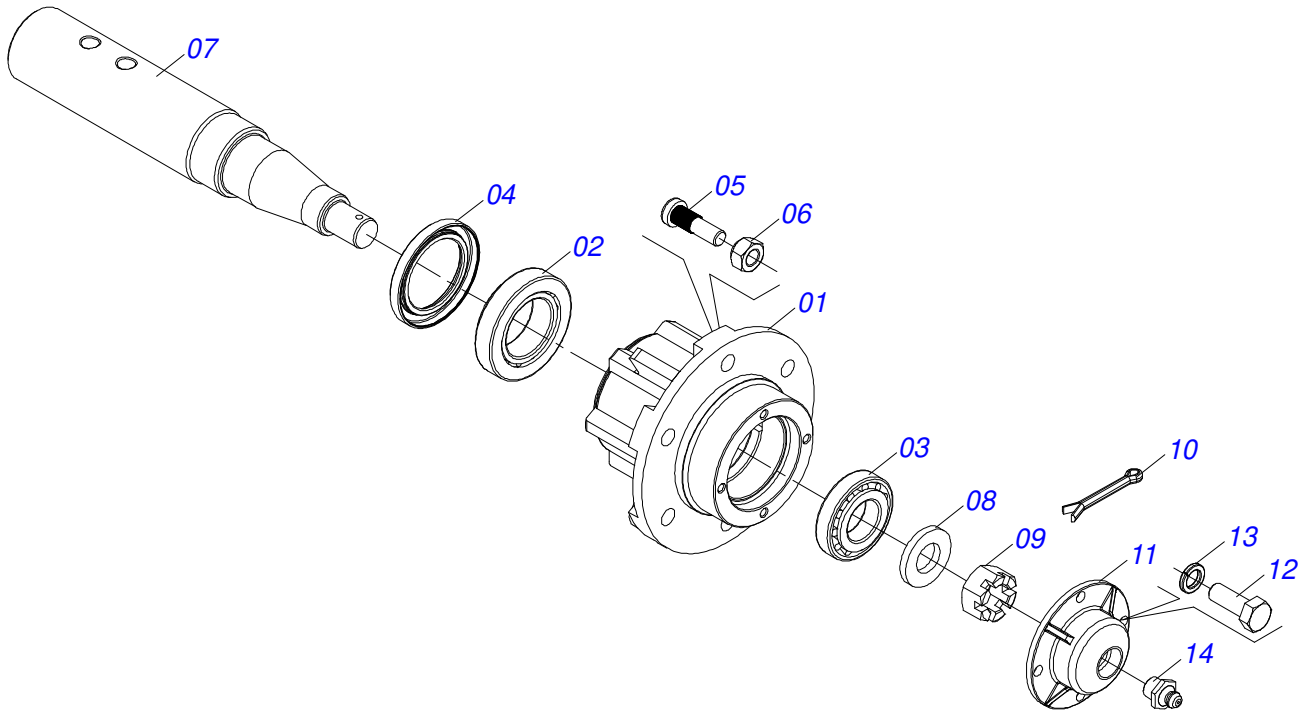
Item	Code	Description	See page	QT
01	0521051186	RIGHT SIDE CARRYNG WHEELS	24	01
02	0503060181	WHEEL AND TIRE	25	02
03	0511045580	CARRYING WHEEL HUB ASSY	26	02
04	0521045646	HYDRAULIC CYLINDER	27	01
05	0503010953	BOLT 1 UNC X 2 C S G.5 ZN		01
06	0503010012	1" SPRING WASHER		01
07	0501016381	FLAT WASHER		01
08	0581014564	JUNCTION SHAFT		01
09	0503010706	BOLT 1/2 UNC X 4.1/2 C S G.5 ZN		01
10	0521014188	FLAT WASHER		01
11	0503010589	1/2" UNC SELF ADJUSTING NUT		01
12	0521012538	1.2" X 3.5" COUPLING SHAFT		02
13	0501019435	32 X 50 X 1.5 FLAT WASHER		02
14	0503010523	1/4" X 2" COTTERPIN		02
15	0501063989	HYDRAULIC CYLINDER REGULATOR		01
16	0501010110	1.1/2" NUT		02



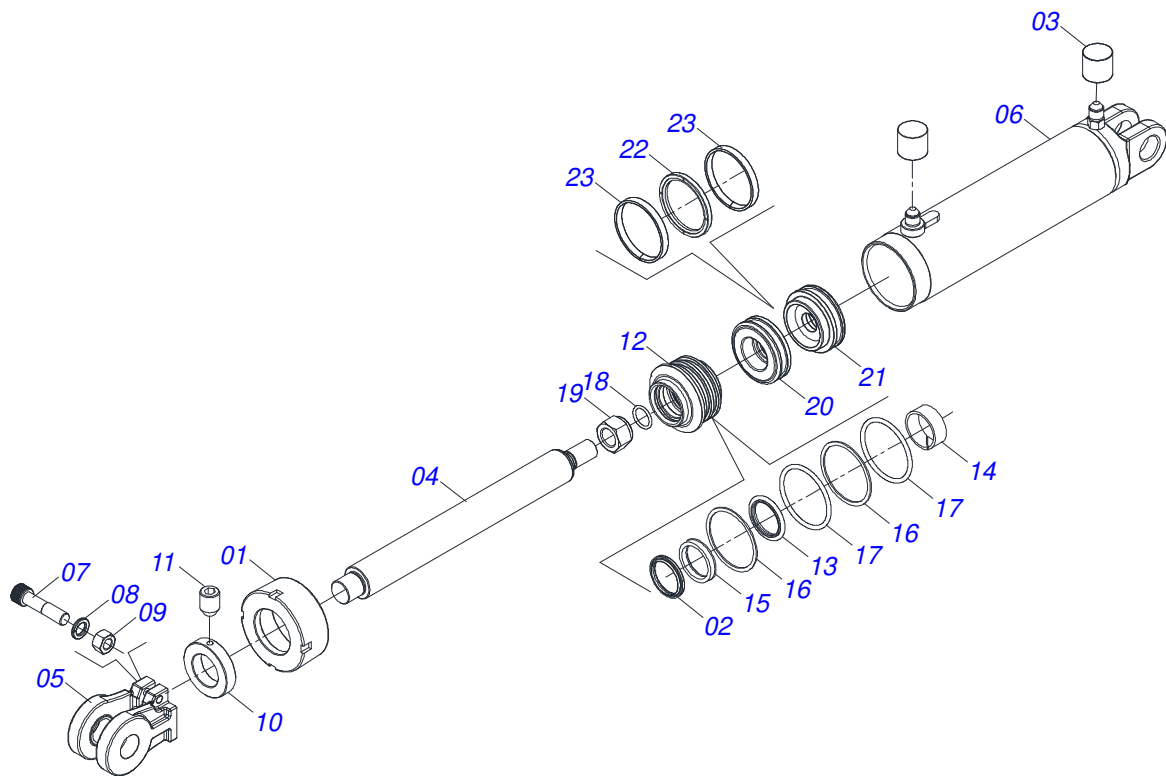
Item	Code	Description	See page	QT
001	0521067889	RIGHT SIDE CARRYNG WHEELS		01
002	0511069790	ROCKER		01
003	0503010706	BOLT 1/2 UNC X 4.1/2 C S G.5 ZN		03
004	0503010002	1800 GREASE FITTING		02
005	0503010589	1/2" UNC SELF ADJUSTING NUT		03
006	0521014188	FLAT WASHER		03
007	0581014564	JUNCTION SHAFT		01
008	0503010953	BOLT 1 UNC X 2 C S G.5 ZN		01
009	0503010012	1" SPRING WASHER		01
010	0501016381	FLAT WASHER		01



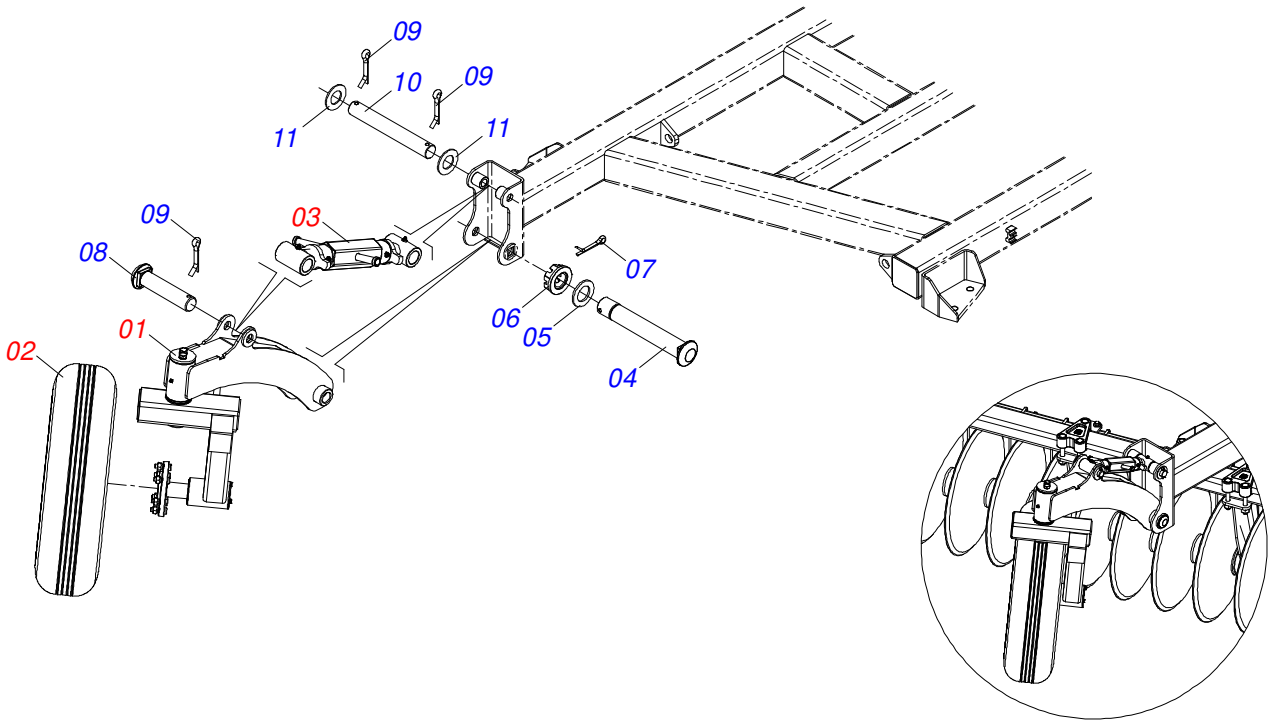
Item	Code	Description	See page	QT
01	0503010858	CANVAS TIRE		01
02	0503011468	WEEL		01
03	0503010860	AIR CHAMBER 11L 15		01



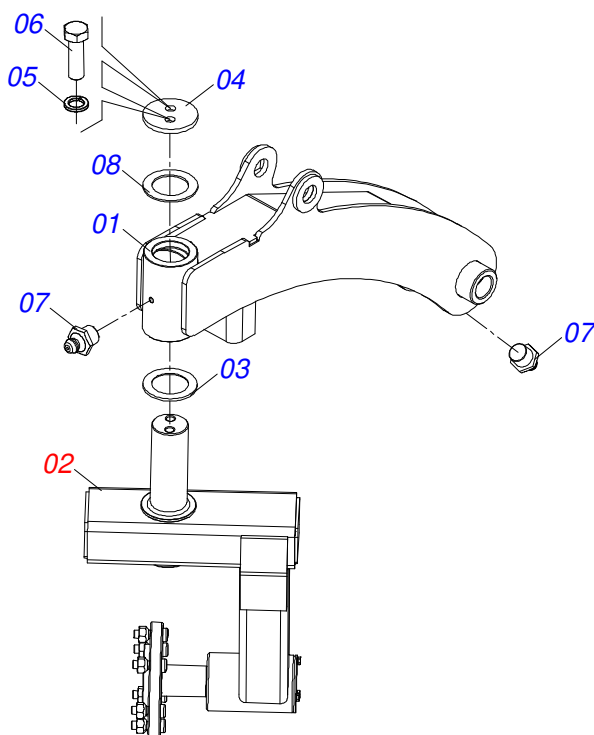
Item	Code	Description	See page	QT
01	0502011121	CARRYING WHEEL HUB	01	01
02	0503010006	32210 ROLLER BEARING	01	01
03	0503010037	30207 ROLLER BEARING	01	01
04	0503011867	00517-BR SEAL WITH HOLE	01	01
05	0501010127	9/16" X 1-7/8" LUG BOLT	06	06
06	0503010035	9/16" CONIC NUT	06	06
07	0541015259	63,40 X 366 AXLE	01	01
08	0501016545	FLAT WASHER	01	01
09	0503030009	1" CASTLE NUT	01	01
10	0503010018	5/32 X 1-1/2 COTTERPIN	01	01
11	0502020591	PROTECCION COVER	01	01
12	0503010178	5/16" X 7/8" BOLT	04	04
13	0503010179	LOCK WASHER 5/16 ZN 1K01528	04	04
14	0503010002	1800 GREASE FITTING	01	01



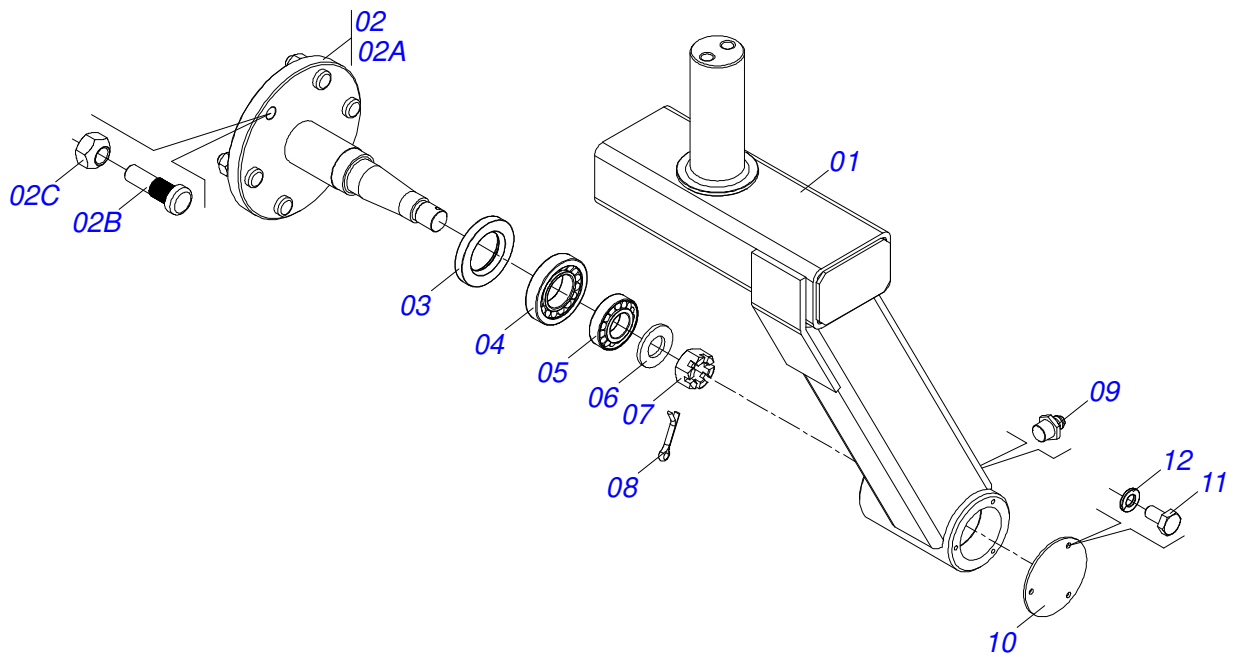
Item	Code	Description	See page	QT
01	0571019709	DETACHABLE COVER		01
02	0503010761	D-1750 SCRAPER RING		01
03	0503030385	CYLINDER PLUG N-002		02
04	0521016677	1.75" X 17.5" TURNBUCLE		01
05	0502040747	32.54 CLEVIS CLAMP		01
06	0521066182	CYLINDER CASE		01
07	0503011094	3/8" X 2" BOLT		01
08	0503011443	3/8" SPRING WASHER		01
09	0503010026	3/8" NUT		01
10	0511018115	1.8" X 0.1" 0.7" BUSHING		01
11	0503011148	3/8" X 1/2" BOLT		01
12	0571019711	RING SUPPORT		01
13	0503017936	RING		01
14	0503017938	RING GUIDE		01
15	0503017937	GASKET		01
16	0503017940	8-337 BACK-UP RING		02
17	0503017939	2-337 N 3006-9B O' RING		02
18	0503010042	2-214 N 3006-9B O'RING		01
19	0503010063	1" SELF-ALIGNING NUT		01
20	0581012598	PISTON		01
21	0581012597	PISTON		01
22	0503018650	SEALING		01
23	0503017883	RING GUIDE		02



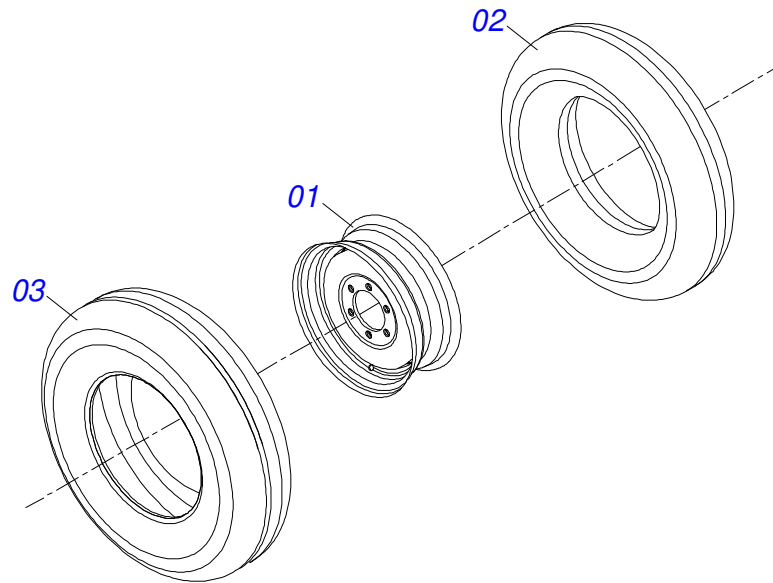
Item	Code	Description	See page	QT
01	0511051845	RIGHT FRONT CARRYING-WHEELS	29	01
02	0503060091	L29.5"X0.63"-10L WHEEL AND	31	01
03	0501047699	ESTABILIZER ASSY	32	01
04	0561018588	COUPLING SHAFT		01
05	0501012916	FLAT WASHER 40 X 66 X 4,75 ZN		01
06	0501011301	1.1/2 UNC 6FPP 2.5/16 NUT		01
07	0503010010	1/4" X 2.1/2" COTTERPIN		01
08	0521014092	AXLE LOCK		01
09	0503010523	1/4" X 2" COTTERPIN		03
10	0521014216	COUPLING SHAFT		01
11	0521011132	FLAT WASHER		02



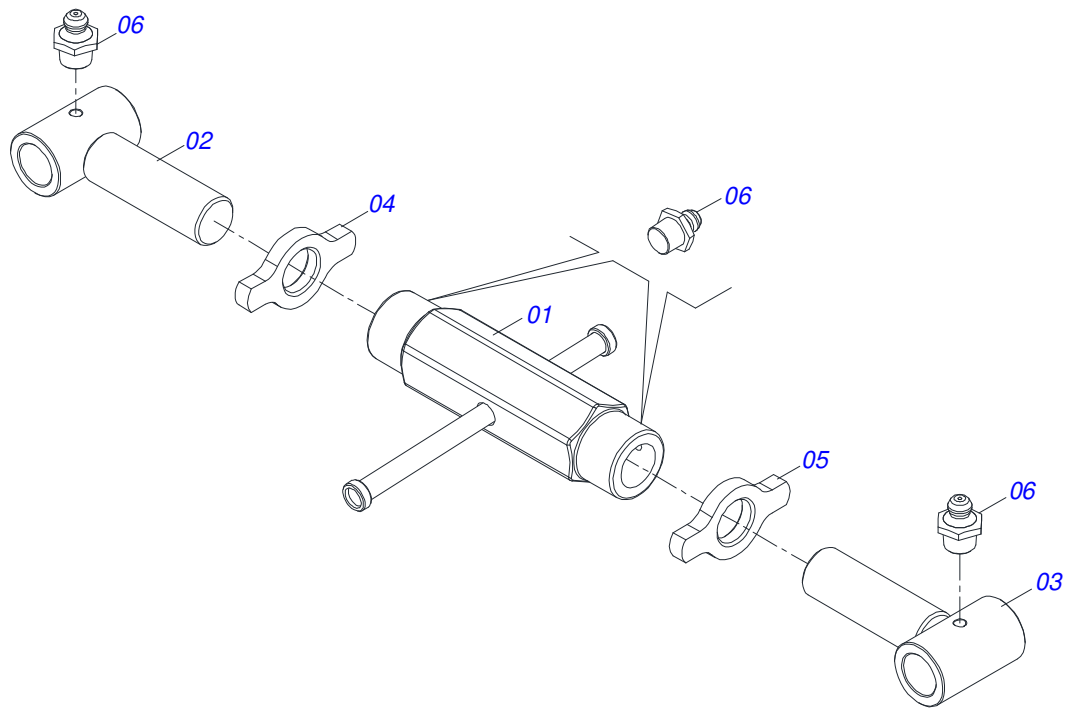
Item	Code	Description	See page	QT
01	0521063073	FRONT WHEEL ARM		01
02	0511051796	RIGHT FRONT CARRYING-WHEELS	30	01
03	0521014023	MIDDLEMAN FLANGE		01
04	0521014014	REAR FIXER FLANGE		01
05	0503010027	5/8 SPRING WASHER		02
06	0501010100	SCREW 5/8 UNC X 2 CS G.5 ZN		02
07	0503010002	1800 GREASE FITTING		02
08	0521014024	WASHER SPACER		01



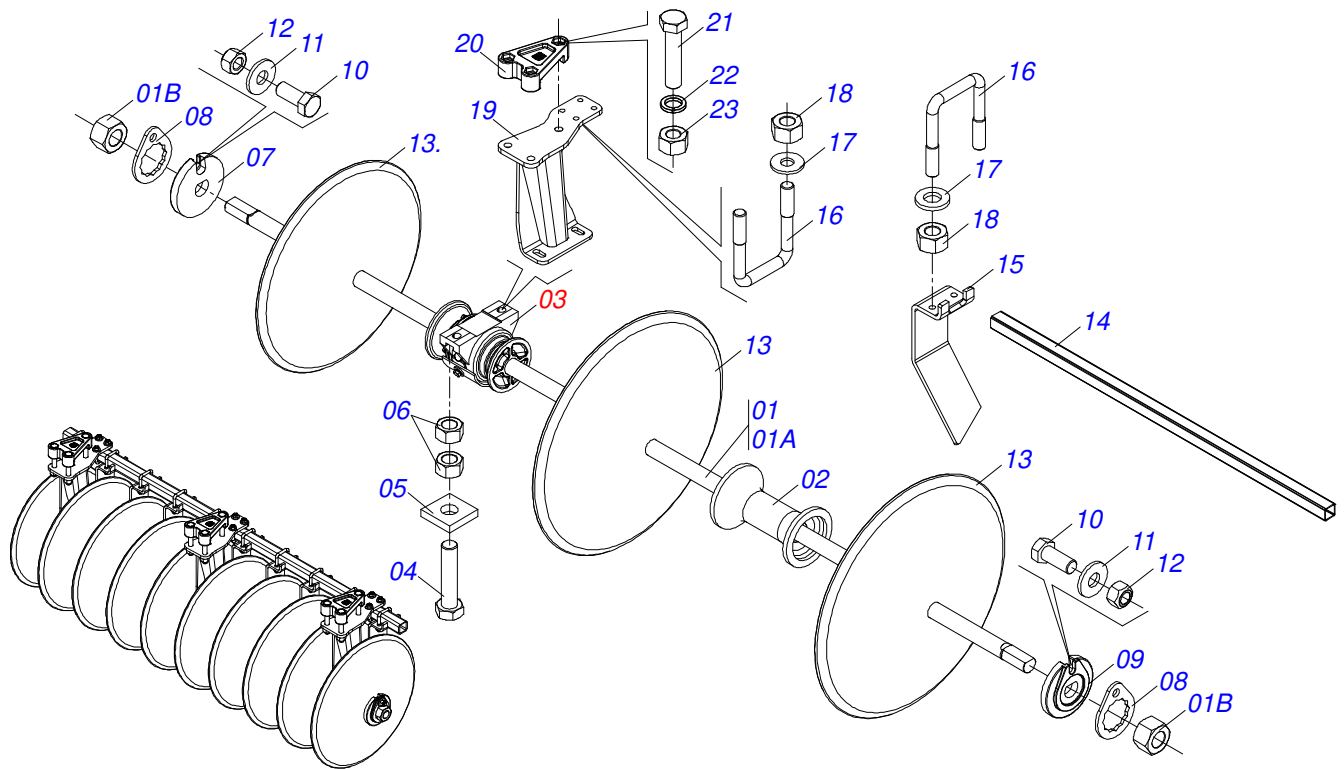
Item	Code	Description	See page	QT
01	0521063068	FRONT CARRYING-WHEELS		01
02	0501110695	AXLE W/ FLANGE		01
02A	0521063074	AXLE W/ FLANGE		01
02B	0501010127	9/16" X 1-7/8" LUG BOLT		06
02C	0503010035	9/16" CONIC NUT		06
03	0503010279	SEAL		01
04	0503010360	30208 ROLLER BEARING		01
05	0503011290	30206 BALL BEARING		01
06	0511015994	FLAT WASHER		01
07	0503030009	1" CASTLE NUT		01
08	0503010523	1/4" X 2" COTTERPIN		01
09	0503010002	1800 GREASE FITTING		01
10	0541018995	WHEEL BOX COVER		01
11	0503013758	1/4" X 1-1/2" BOLT		03
12	0503011441	SPRING WASHER		03



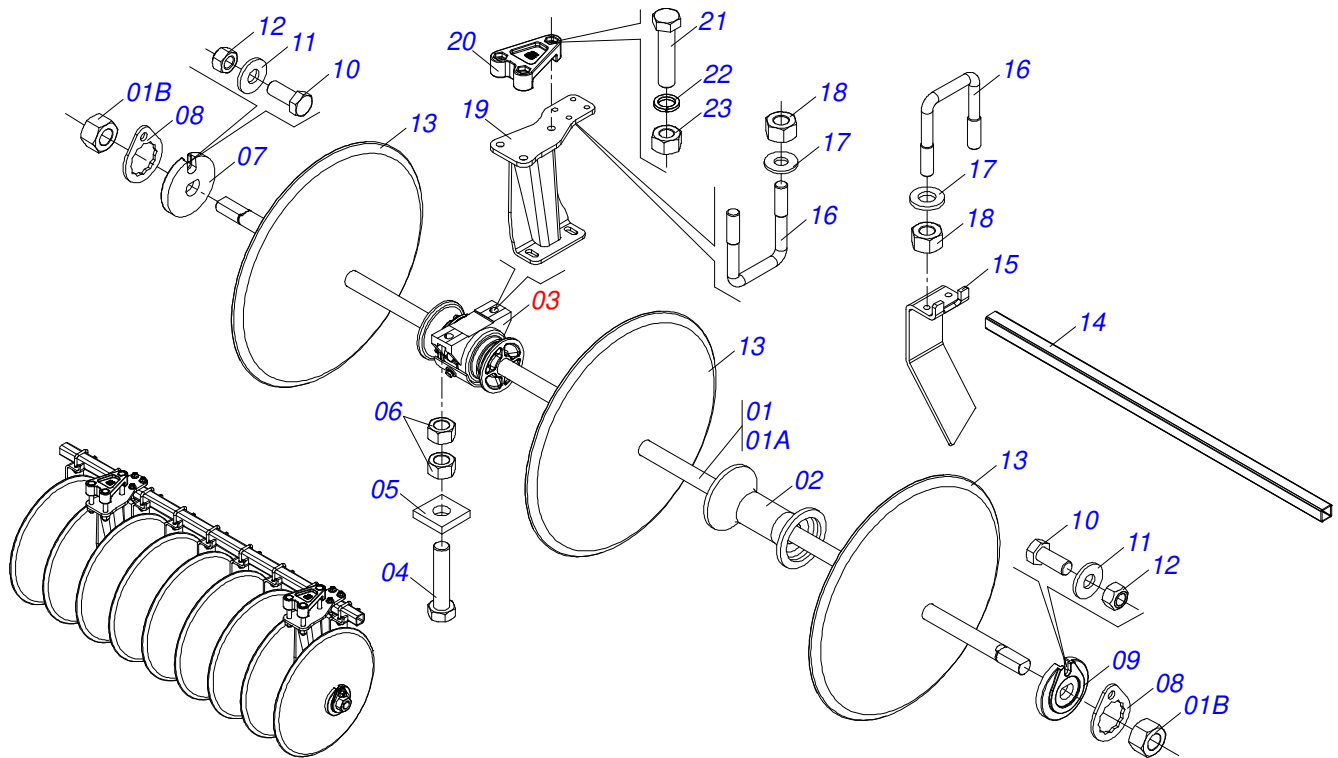
Item	Code	Description	See page	QT
01	0503010893	WHEEL		01
02	0503010033	7.50 X 16 INNER TIRE		01
03	0503010120	CANVAS TIRE		01



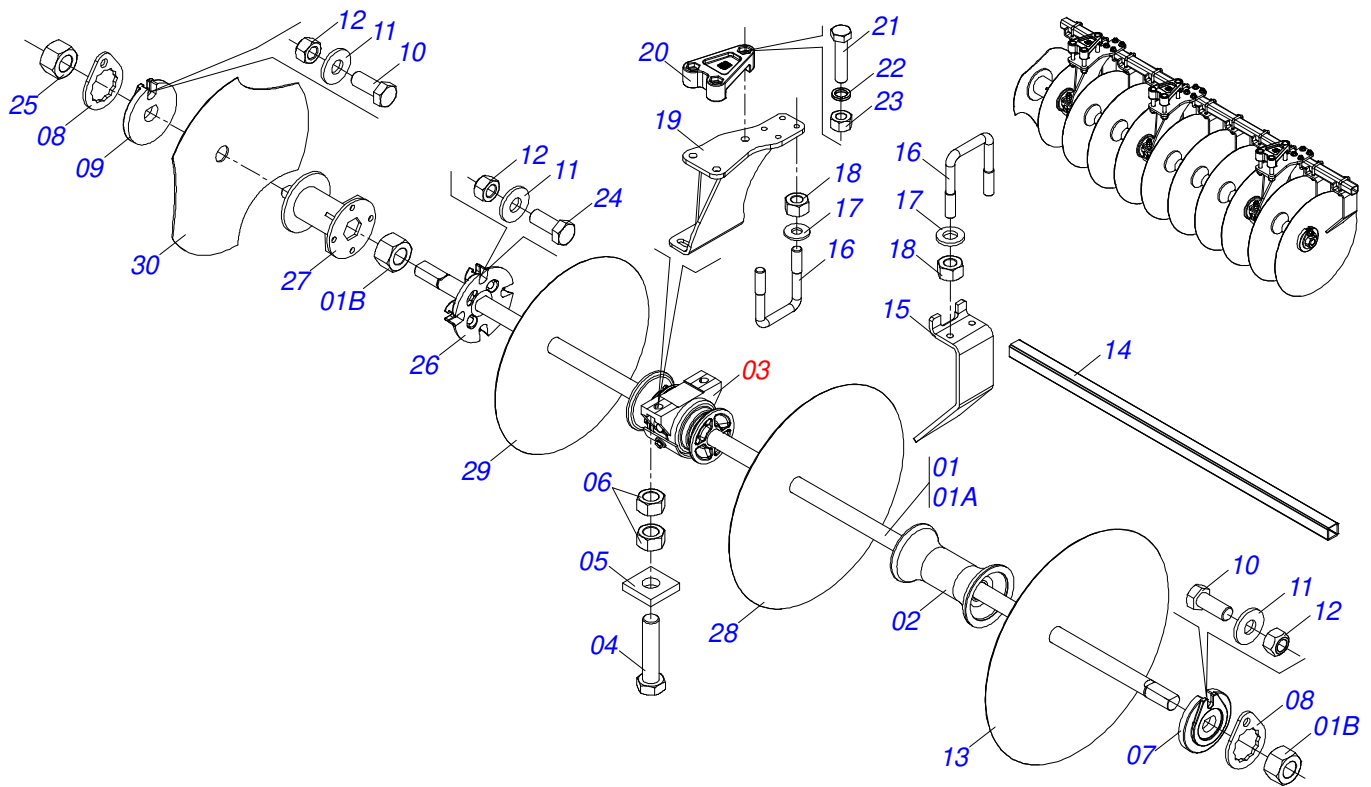
Item	Code	Description	See page	QT
01	0501110262	245 ADJUSTMENT NUT		01
02	0501064001	RIGHT JACK CRANK		01
03	0501064002	LEFT JACK CRANK		01
04	0541018672	COUNTERNUT		01
05	0541018673	COUNTERNUT		01
06	0503010002	1800 GREASE FITTING		04



Item	Code	Description	See page	QT
01	0521040667	1-1/2" X 1320 AXLE ASSY		01
01A	0571010816	1.1/2" X 1720 AXLE		01
01B	0501010110	1.1/2" NUT		02
02	0502011594	SPACER		06
03	0511040472	AGRICULTURAL BEARING	10	03
04	0503012246	5/8" X 2-3/4" BOLT		06
05	0521013775	FLAT WASHER		06
06	0503010129	5/8" NUT		12
07	0502010872	1-1/2" INNER AXLE WASHER		01
08	0501018592	1.5/8" NUT LOCK		02
09	0502010871	1-1/2" EXTERNAL AXLE WASHER		01
10	0503011267	5/8 UNC X 1.1/2 C S G.5 ZN BOLT		02
11	0501012140	FLAT WASHER		02
12	0503012412	5/8 UNC SELF LOCKING NUT		02
13	0601031041	DL24X4,75 C76AF02FR1.9/16 TATU		09
13.	0601029414	DL 22 X 4,5 C63AF02FR1.9/16		01
14	0581014616	TUBE 50 X 50 X 4,75 X 1970		01
15	0551018171	SCRAPER FRONT RIGHT REAR LEFT		10
16	0511018746	1/2" UNC X 2,9" X 2,5" HOLDER		16
17	0511017302	FLAT WASHER 13,50 X 32,50 X 3,0 ZN		32
18	0503010060	1/2 UNC G.5 ZN HEX NUT		32
19	0521067904	BRACKET REAR LEFT FRONT RIGHT		03
20	0502012345	SPINDLE FIXER		03
21	0503013185	3/4" X 5-1/2" BOLT		09
22	0503010023	3/4" SPRING WASHER		09
23	0503010014	3/4" HEX NUT		09

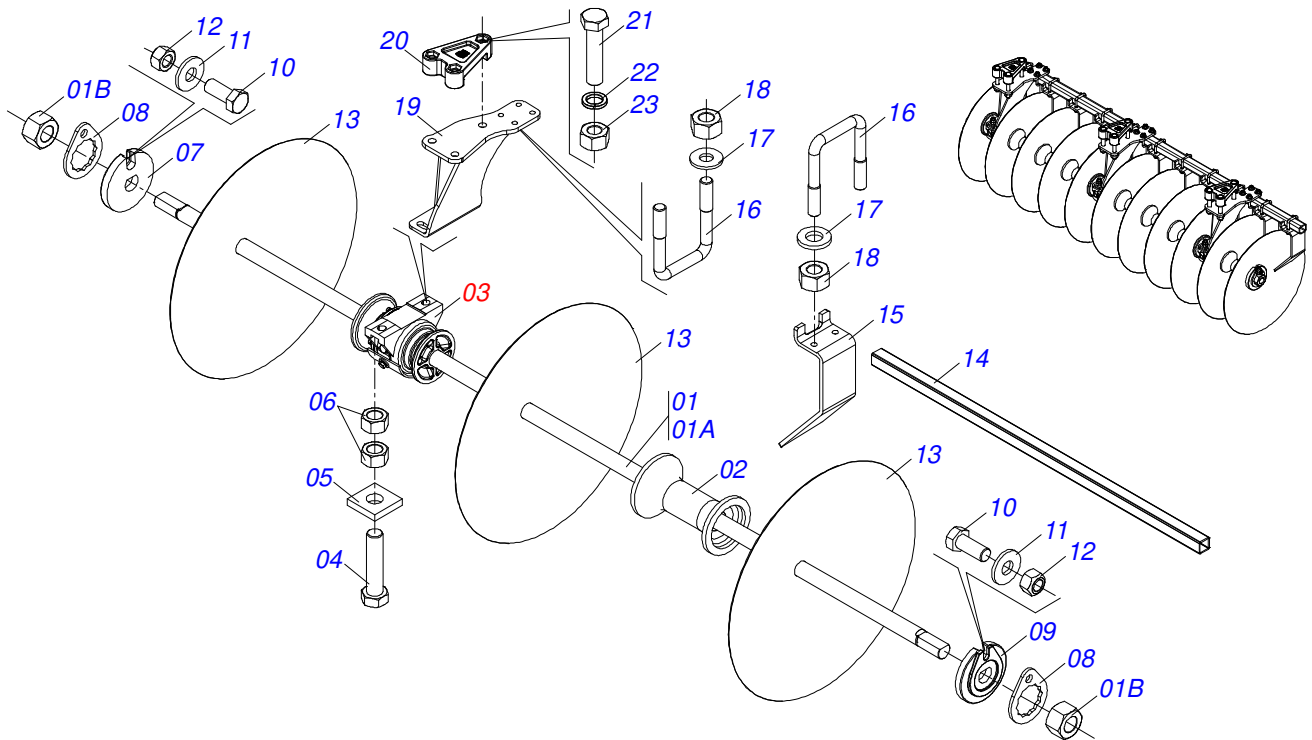


Item	Code	Description	See page	QT
01	0521040667	1-1/2" X 1320 AXLE ASSY		01
01A	0571010816	1.1/2" X 1720 AXLE		01
01B	0501010110	1.1/2" NUT		02
02	0502011594	SPACER		06
03	0511040472	AGRICULTURAL BEARING	10	02
04	0503012246	5/8" X 2-3/4" BOLT		04
05	0521013775	FLAT WASHER		04
06	0503010129	5/8" NUT		08
07	0502010872	1-1/2" INNER AXLE WASHER		01
08	0501018592	1.5/8" NUT LOCK		02
09	0502010871	1-1/2" EXTERNAL AXLE WASHER		01
10	0503011267	5/8 UNC X 1.1/2 C S G.5 ZN BOLT		02
11	0501012140	FLAT WASHER		02
12	0503012412	5/8 UNC SELF LOCKING NUT		02
13	0601031041	DL24X4,75 C76AF02FR1.9/16 TATU		09
14	0551014700	TUBE		01
15	0551018171	SCRAPER FRONT RIGHT REAR LEFT		09
16	0511018746	1/2" UNC X 2,9" X 2,5" HOLDER		13
17	0511017302	FLAT WASHER 13,50 X 32,50 X 3,0 ZN		26
18	0503010060	1/2 UNC G.5 ZN HEX NUT		26
19	0521067904	BRACKET REAR LEFT FRONT RIGHT		02
20	0502012345	SPINDLE FIXER		02
21	0503013185	3/4" X 5-1/2" BOLT		06
22	0503010023	3/4" SPRING WASHER		06
23	0503010014	3/4" HEX NUT		06

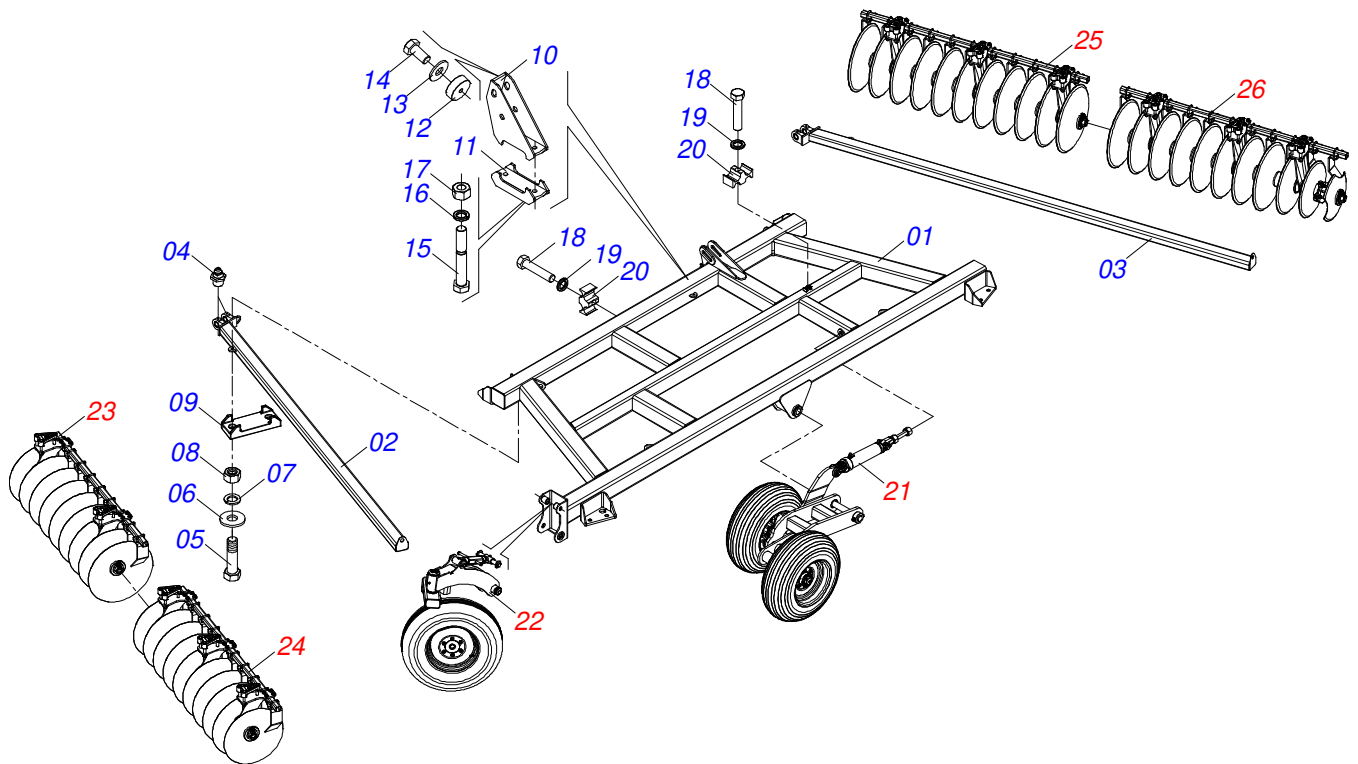


Item	Code	Description	See page	QT
01	0521040667	1-1/2" X 1320 AXLE ASSY		01
01A	0571010816	1.1/2" X 1720 AXLE		01
01B	0501010110	1.1/2" NUT		02
02	0502011594	SPACER		06
03	0511040472	AGRICULTURAL BEARING	10	03
04	0503012246	5/8" X 2-3/4" BOLT		06
05	0521013775	FLAT WASHER		06
06	0503010129	5/8" NUT		12
07	0502010872	1-1/2" INNER AXLE WASHER		01
08	0501018592	1.5/8" NUT LOCK		02
09	0502010871	1-1/2" EXTERNAL AXLE WASHER		01
10	0503011267	5/8 UNC X 1.1/2 C S G.5 ZN BOLT		02
11	0501012140	FLAT WASHER		06
12	0503012412	5/8 UNC SELF LOCKING NUT		06
13	0601031041	DL24X4,75 C76AF02FR1.9/16 TATU		08
14	0581014617	50 X 50 X 4,75 X 2170 TUBE		01
15	0551018172	SCRAPER FRONT LEFT REAR RIGHT		11
16	0511018746	1/2" UNC X 2,9" X 2,5" HOLDER		17
17	0511017302	FLAT WASHER 13,50 X 32,50 X 3,0 ZN		34
18	0503010060	1/2 UNC G.5 ZN HEX NUT		34
19	0521067903	SHOE FRONT LEFT REAR RIGHT		03
20	0502012345	SPINDLE FIXER		03
21	0503013185	3/4" X 5-1/2" BOLT		09
22	0503010023	3/4" SPRING WASHER		09
23	0503010014	3/4" HEX NUT		09
24	0503010232	5/8" X 1.3/4" BOLT		04
25	0501810110	1.1/2 NC 6FPP NUT		01
26	0502012376	1-1/2" EXTERNAL AXLE LOCK		01
27	0521062026	SPACING 157 (ESP 195)		01
28	0601029414	DL 22 X 4,5 C63AF02FR1.9/16		01
29	0601027299	DL 20 X 4,5 C57AF02FR1.9/16		01

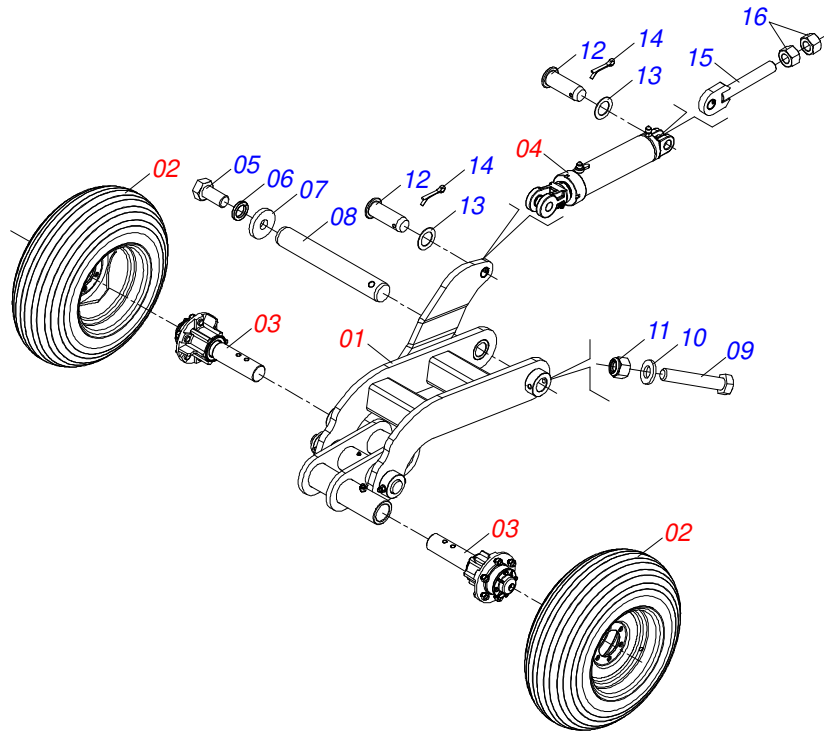
Item	Code	Description	See page	QT
30	0602025266	DR18X4,5 C44AF02FR1.9/16 3REC TATU		01



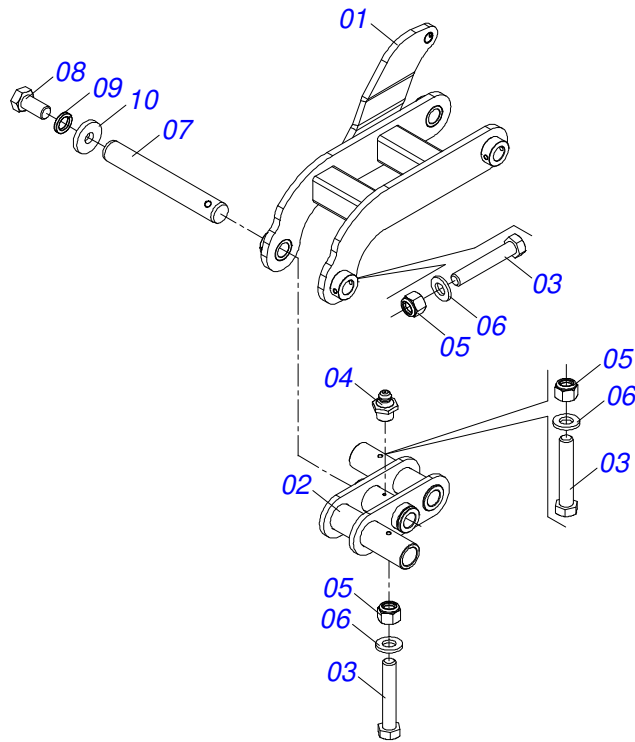
Item	Code	Description	See page	QT
01	0521051259	1.1/2 6FPP X 2120 AXLE WITH NUTS		01
01A	0581014619	1.1/2 UNC 6FPP 2120 AXIS GNACR 120		01
01B	0501010110	1.1/2" NUT		02
02	0502011594	SPACER		07
03	0511040472	AGRICULTURAL BEARING	10	03
04	0503012246	5/8" X 2-3/4" BOLT		06
05	0521013775	FLAT WASHER		06
06	0503010129	5/8" NUT		12
07	0502010871	1-1/2" EXTERNAL AXLE WASHER		01
08	0501018592	1.5/8" NUT LOCK		02
09	0502010872	1-1/2" INNER AXLE WASHER		01
10	0503011267	5/8 UNC X 1.1/2 C S G.5 ZN BOLT		02
11	0501012140	FLAT WASHER		02
12	0503012412	5/8 UNC SELF LOCKING NUT		02
13	0601031041	DL24X4,75 C76AF02FR1.9/16 TATU		11
14	0551014700	TUBE		01
15	0551018172	SCRAPER FRONT LEFT REAR RIGHT		11
16	0511018746	1/2" UNC X 2,9" X 2,5" HOLDER		17
17	0511017302	FLAT WASHER 13,50 X 32,50 X 3,0 ZN		34
18	0503010060	1/2 UNC G.5 ZN HEX NUT		34
19	0521067903	SHOE FRONT LEFT REAR RIGHT		03
20	0502012345	SPINDLE FIXER		03
21	0503013185	3/4" X 5-1/2" BOLT		09
22	0503010023	3/4" SPRING WASHER		09
23	0503010014	3/4" HEX NUT		09



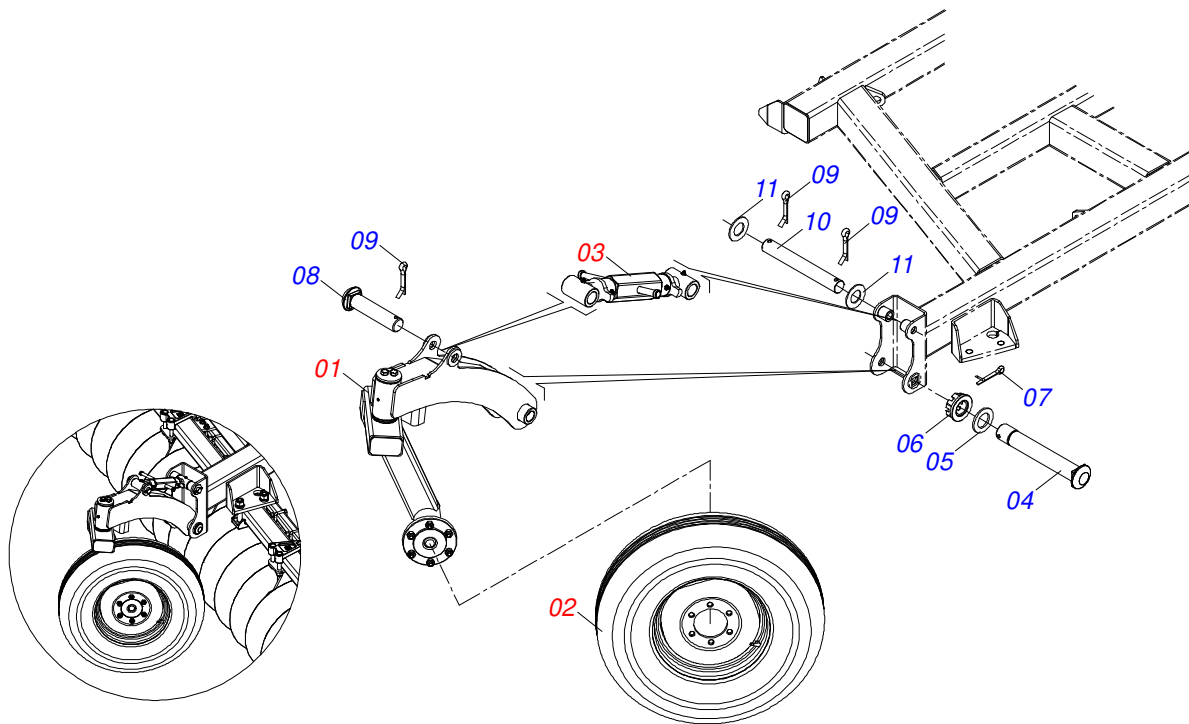
Item	Code	Description	See page	QT
01	0511068430	LEFT SIDE FRAME		01
02	0521062356	SIDE REAR FRAME		01
03	0521062358	REAR FRAME		01
04	0503010002	1800 GREASE FITTING		04
05	0503013113	1" X 6" BOLT		08
06	0501016545	FLAT WASHER		08
07	0503010012	1" SPRING WASHER		08
08	0501010059	1.5/8 NUT		08
09	0502012323	BRACKET FIXER		04
10	0521060351	BEATER FRAME		01
11	0511068361	FIXER		01
12	0581011153	FRAME BEAT		01
13	0571010265	16.5 X 40 X 3 FLAT WASHER		01
14	0503010962	5/8" X 1-1/4" BOLT		01
15	0511016281	3/4" X 8" BOLT		02
16	0503010023	3/4" SPRING WASHER		02
17	0503010014	3/4" HEX NUT		02
18	0503012555	SCREW 7/16 UNC X 2 CS RT G.7 ZN		04
19	0503010180	7/16" SPRING WASHER		04
20	0502012702	BODY SUPPORT CLAMP		04
21	0909093743	LEFT SIDE CARRYNG WHEELS ASSY	38	01
22	0909093744	STABILIZER LEFT CARRYNG WHEELS ASSY	40	01
23	0909093745	LEFT SIDE RIGHT FRONT DISC SECTION	43	01
24	0909093746	LEFT SIDE LEFT FRONT DISC SECTION	44	01
25	0909093747	LEFT SIDE RIGHT REAR DISC SECTION	45	01
26	0909093748	LEFT SIDE LEFT REAR DISC SECTION	46	01



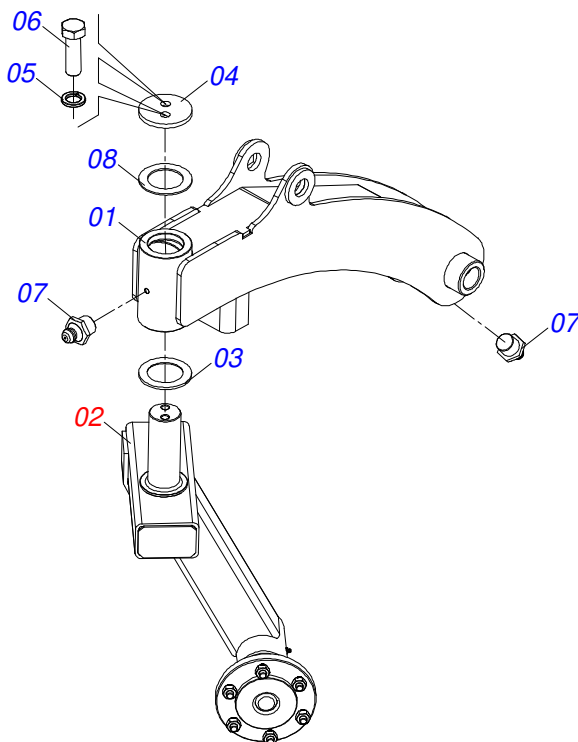
Item	Code	Description	See page	QT
01	0521051187	LEFT SIDE CARRYNG WHEELS	39	01
02	0503060181	WHEEL AND TIRE	25	02
03	0511045580	CARRYING WHEEL HUB ASSY	26	02
04	0521045646	HYDRAULIC CYLINDER	27	01
05	0503010953	BOLT 1 UNC X 2 C S G.5 ZN		01
06	0503010012	1" SPRING WASHER		01
07	0501016381	FLAT WASHER		01
08	0581014564	JUNCTION SHAFT		01
09	0503010706	BOLT 1/2 UNC X 4.1/2 C S G.5 ZN		01
10	0521014188	FLAT WASHER		01
11	0503010589	1/2" UNC SELF ADJUSTING NUT		01
12	0521012538	1.2" X 3.5" COUPLING SHAFT		02
13	0501019435	32 X 50 X 1.5 FLAT WASHER		02
14	0503010523	1/4" X 2" COTTERPIN		02
15	0501063989	HYDRAULIC CYLINDER REGULATOR		01
16	0501010110	1.1/2" NUT		02



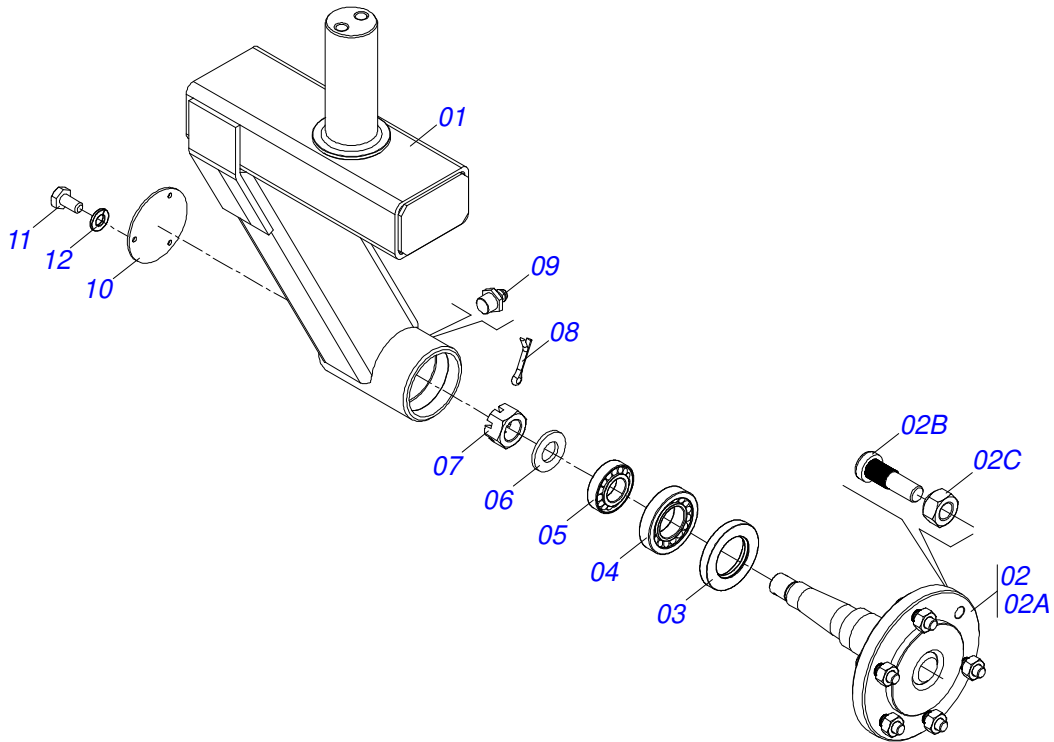
Item	Code	Description	See page	QT
01	0521067890	LEFT SIDE CARRYNG WHEELS		01
02	0511069790	ROCKER		01
03	0503010706	BOLT 1/2 UNC X 4.1/2 C S G.5 ZN		03
04	0503010002	1800 GREASE FITTING		02
05	0503010589	1/2" UNC SELF ADJUSTING NUT		03
06	0521014188	FLAT WASHER		03
07	0581014564	JUNCTION SHAFT		01
08	0503010953	BOLT 1 UNC X 2 C S G.5 ZN		01
09	0503010012	1" SPRING WASHER		01
10	0501016381	FLAT WASHER		01



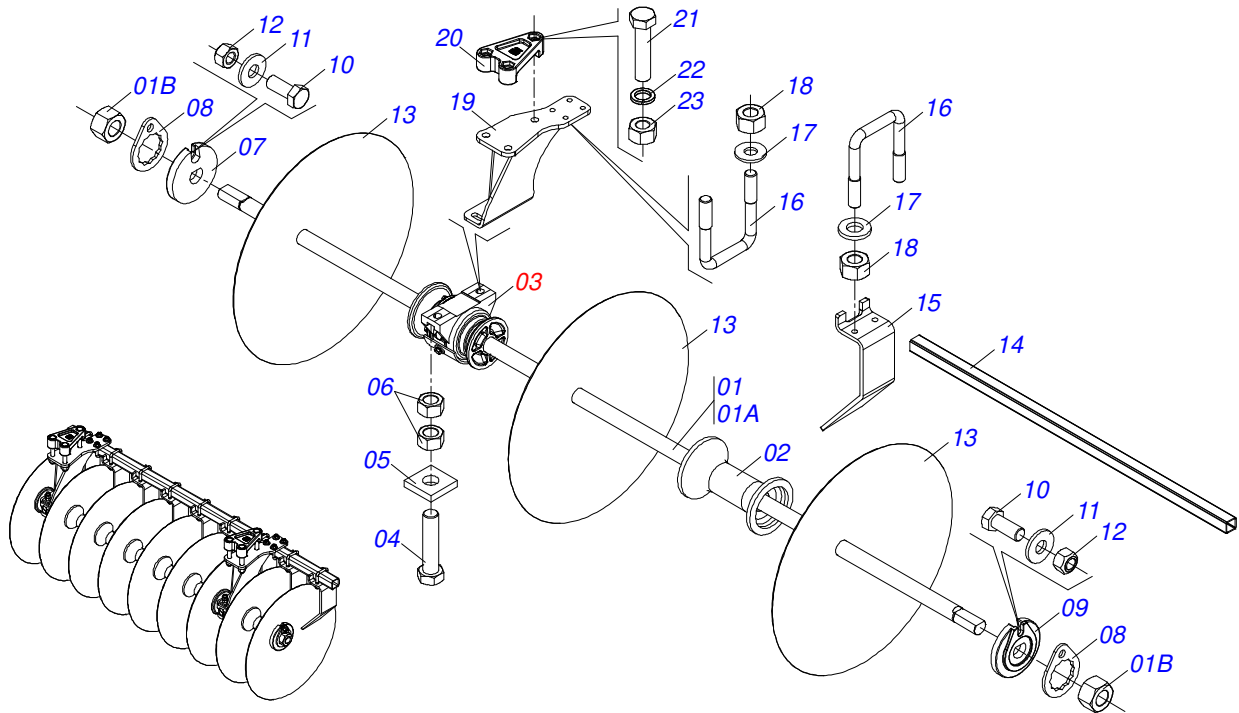
Item	Code	Description	See page	QT
01	0511051846	FRONT CARRYING-WHEELS	41	01
02	0503060091	L29.5"X0.63"-10L WHEEL AND	31	01
03	0501047699	ESTABILIZER ASSY	32	01
04	0561018588	COUPLING SHAFT		01
05	0501012916	FLAT WASHER 40 X 66 X 4,75 ZN		01
06	0501011301	1.1/2 UNC 6FPP 2.5/16 NUT		01
07	0503010010	1/4" X 2.1/2" COTTERPIN		01
08	0521014092	AXLE LOCK		01
09	0503010523	1/4" X 2" COTTERPIN		03
10	0521014216	COUPLING SHAFT		01
11	0521011132	FLAT WASHER		02



Item	Code	Description	See page	QT
01	0521063073	FRONT WHEEL ARM		01
02	0511051797	LEFT FRONT CARRYING-WHEELS	42	01
03	0521014023	MIDDLEMAN FLANGE		01
04	0521014014	REAR FIXER FLANGE		01
05	0503010027	5/8 SPRING WASHER		02
06	0501010100	SCREW 5/8 UNC X 2 CS G.5 ZN		02
07	0503010002	1800 GREASE FITTING		02
08	0521014024	WASHER SPACER		01

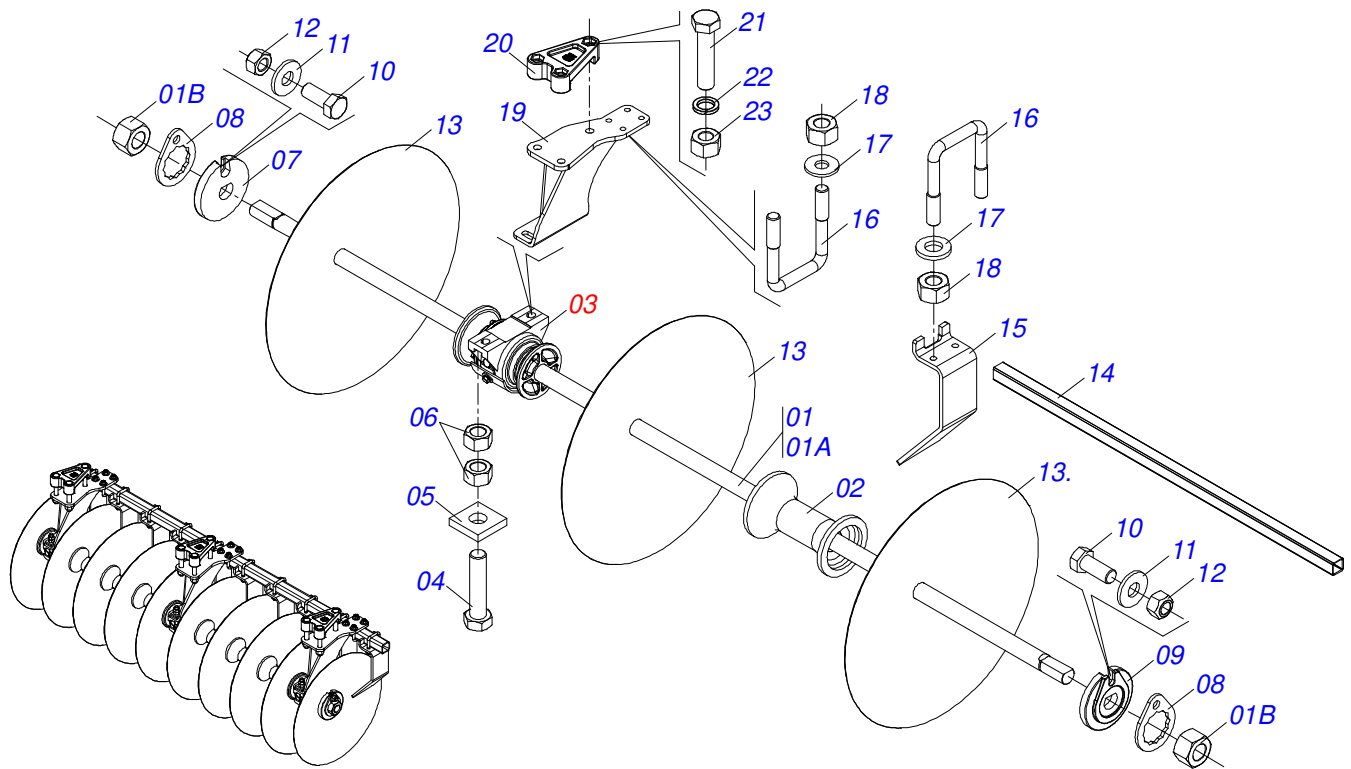


Item	Code	Description	See page	QT
01	0521063067	FRONT CARRYING-WHEELS		01
02	0501110695	AXLE W/ FLANGE		01
02A	0521063074	AXLE W/ FLANGE		01
02B	0501010127	9/16" X 1-7/8" LUG BOLT		06
02C	0503010035	9/16" CONIC NUT		06
03	0503010279	SEAL		01
04	0503010360	30208 ROLLER BEARING		01
05	0503011290	30206 BALL BEARING		01
06	0511015994	FLAT WASHER		01
07	0503030009	1" CASTLE NUT		01
08	0503010523	1/4" X 2" COTTERPIN		01
09	0503010002	1800 GREASE FITTING		01
10	0541018995	WHEEL BOX COVER		01
11	0503013758	1/4" X 1-1/2" BOLT		03
12	0503011441	SPRING WASHER		03

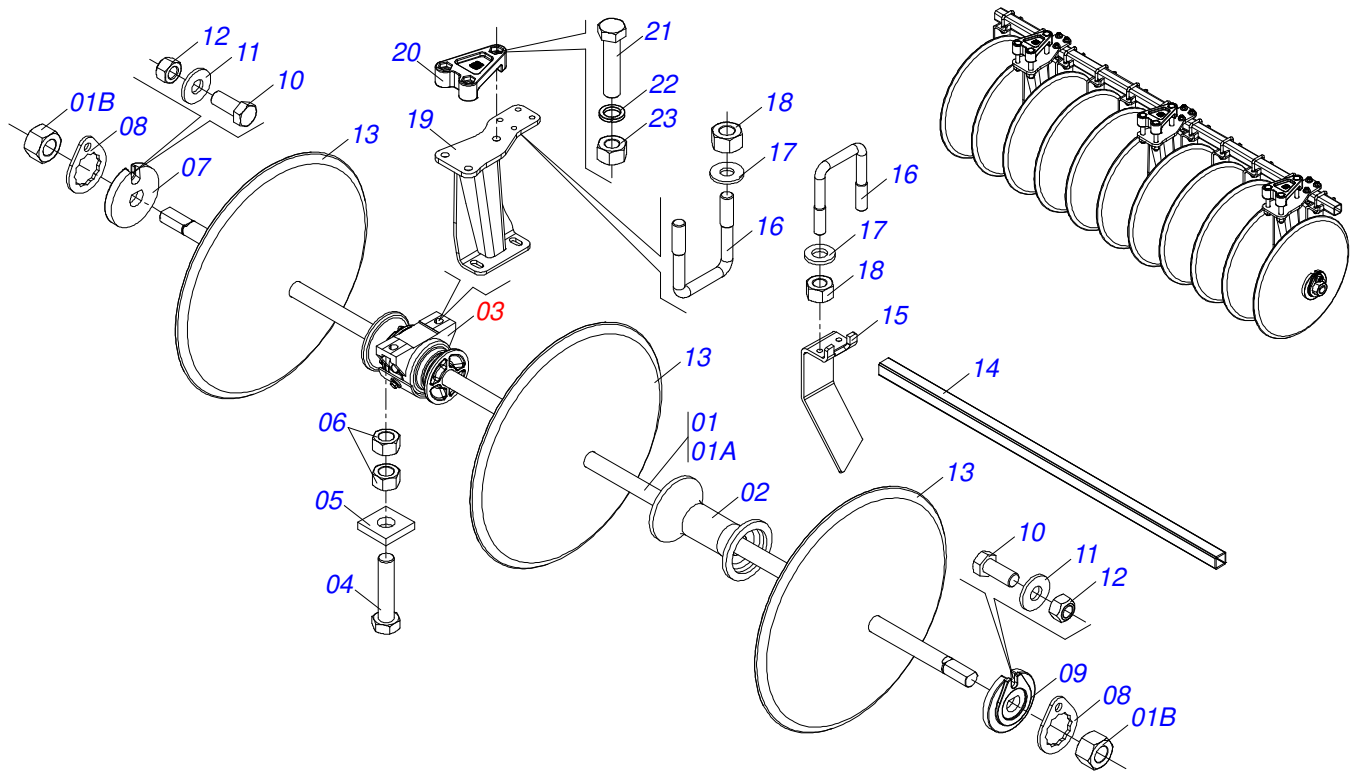


Item	Code	Description	See page	QT
01	0521040667	1-1/2" X 1320 AXLE ASSY		01
01A	0571010816	1.1/2" X 1720 AXLE		01
01B	0501010110	1.1/2" NUT		02
02	0502011594	SPACER		06
03	0511040472	AGRICULTURAL BEARING	10	02
04	0503012246	5/8" X 2-3/4" BOLT		04
05	0521013775	FLAT WASHER		04
06	0503010129	5/8" NUT		08
07	0502010871	1-1/2" EXTERNAL AXLE WASHER		01
08	0501018592	1.5/8" NUT LOCK		02
09	0502010872	1-1/2" INNER AXLE WASHER		01
10	0503011267	5/8 UNC X 1.1/2 C S G.5 ZN BOLT		02
11	0501012140	FLAT WASHER		02
12	0503012412	5/8 UNC SELF LOCKING NUT		02
13	0601031041	DL24X4,75 C76AF02FR1.9/16 TATU		09
14	0551014700	TUBE		01
15	0551018172	SCRAPER FRONT LEFT REAR RIGHT		09
16	0511018746	1/2" UNC X 2,9" X 2,5" HOLDER		13
17	0511017302	FLAT WASHER 13,50 X 32,50 X 3,0 ZN		26
18	0503010060	1/2 UNC G.5 ZN HEX NUT		26
19	0521067903	SHOE FRONT LEFT REAR RIGHT		02
20	0502012345	SPINDLE FIXER		02
21	0503013185	3/4" X 5-1/2" BOLT		06
22	0503010023	3/4" SPRING WASHER		06
23	0503010014	3/4" HEX NUT		06

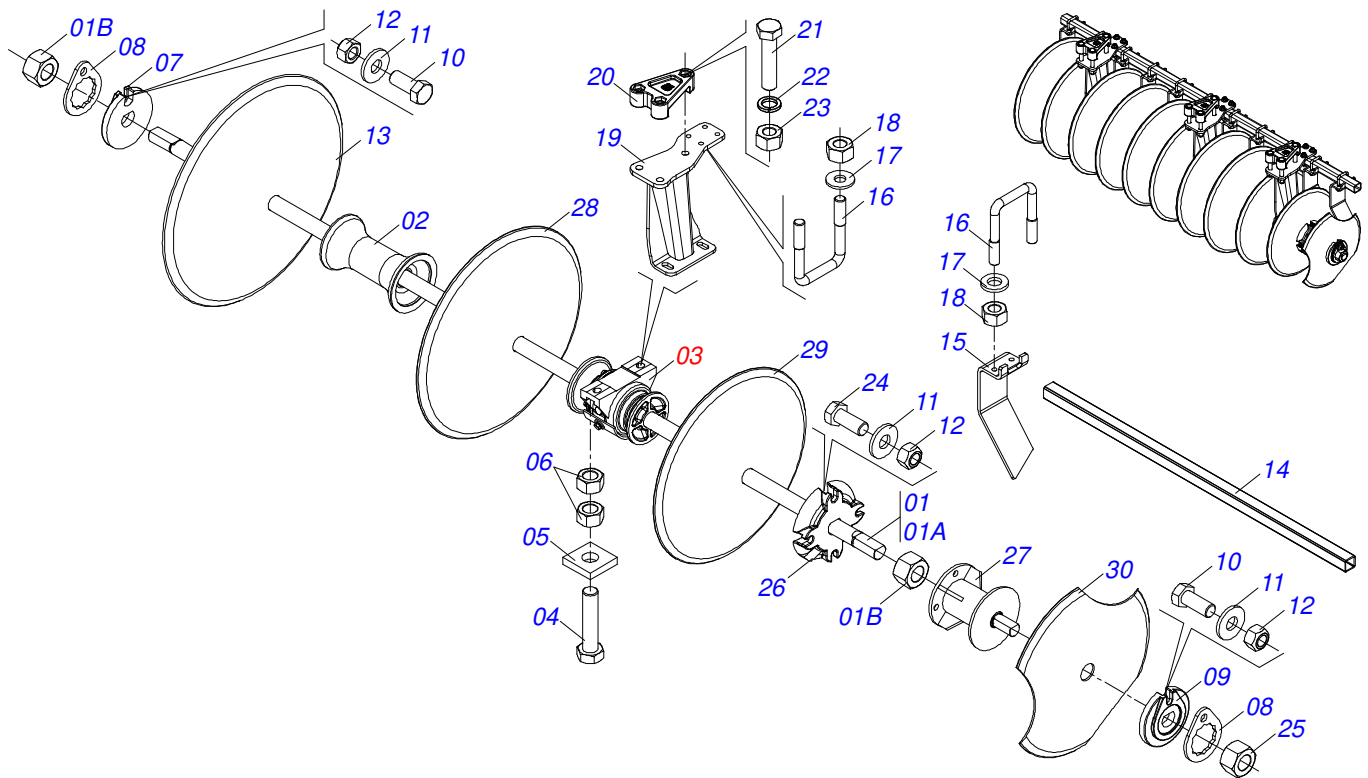
LEFT SIDE LEFT FRONT DISC SECTION



Item	Code	Description	See page	QT
01	0521040667	1-1/2" X 1320 AXLE ASSY		01
01A	0571010816	1.1/2" X 1720 AXLE		01
01B	0501010110	1.1/2" NUT		02
02	0502011594	SPACER		06
03	0511040472	AGRICULTURAL BEARING	10	03
04	0503012246	5/8" X 2-3/4" BOLT		06
05	0521013775	FLAT WASHER		06
06	0503010129	5/8" NUT		12
07	0502010871	1-1/2" EXTERNAL AXLE WASHER		01
08	0501018592	1.5/8" NUT LOCK		02
09	0502010872	1-1/2" INNER AXLE WASHER		01
10	0503011267	5/8 UNC X 1.1/2 C S G.5 ZN BOLT		02
11	0501012140	FLAT WASHER		02
12	0503012412	5/8 UNC SELF LOCKING NUT		02
13	0601031041	DL24X4,75 C76AF02FR1.9/16 TATU		09
13.	0601029414	DL 22 X 4,5 C63AF02FR1.9/16		01
14	0581014616	TUBE 50 X 50 X 4,75 X 1970		01
15	0551018172	SCRAPER FRONT LEFT REAR RIGHT		10
16	0511018746	1/2" UNC X 2,9" X 2,5" HOLDER		22
17	0511017302	FLAT WASHER 13,50 X 32,50 X 3,0 ZN		22
18	0503010060	1/2 UNC G.5 ZN HEX NUT		22
19	0521067903	SHOE FRONT LEFT REAR RIGHT		03
20	0502012345	SPINDLE FIXER		03
21	0503013185	3/4" X 5-1/2" BOLT		09
22	0503010023	3/4" SPRING WASHER		09
23	0503010014	3/4" HEX NUT		09

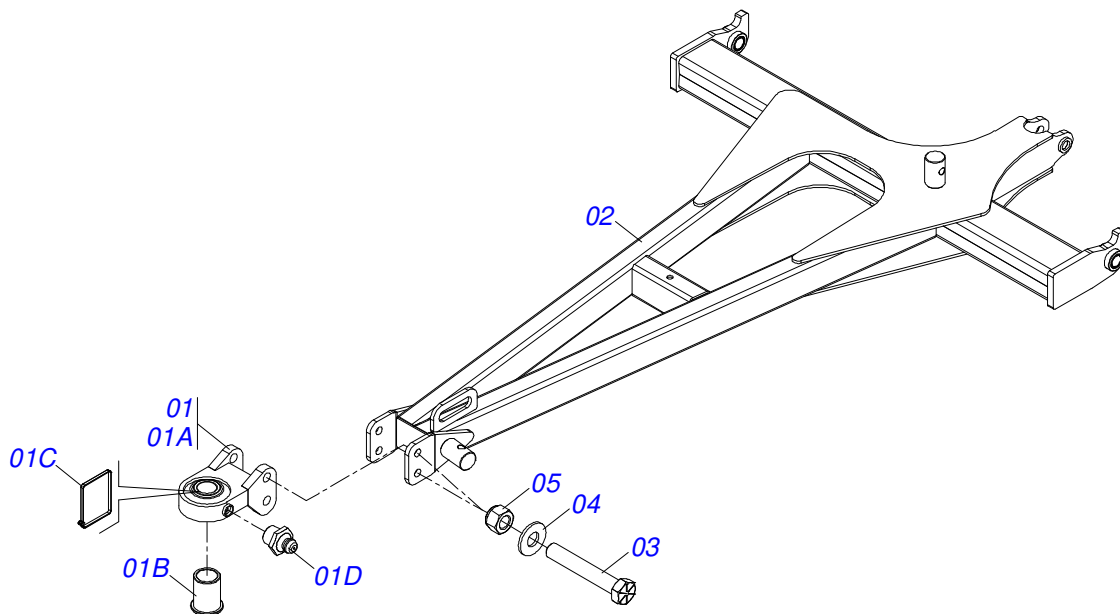


Item	Code	Description	See page	QT
01	0521051259	1.1/2 6FPP X 2120 AXLE WITH NUTS		01
01A	0581014619	1.1/2 UNC 6FPP 2120 AXIS GNACR 120		01
01B	0501010110	1.1/2" NUT		02
02	0502011594	SPACER		07
03	0511040472	AGRICULTURAL BEARING	10	03
04	0503012246	5/8" X 2-3/4" BOLT		06
05	0521013775	FLAT WASHER		06
06	0503010129	5/8" NUT		12
07	0502010872	1-1/2" INNER AXLE WASHER		01
08	0501018592	1.5/8" NUT LOCK		02
09	0502010871	1-1/2" EXTERNAL AXLE WASHER		01
10	0503011267	5/8 UNC X 1.1/2 C S G.5 ZN BOLT		02
11	0501012140	FLAT WASHER		02
12	0503012412	5/8 UNC SELF LOCKING NUT		02
13	0601031041	DL24X4,75 C76AF02FR1.9/16 TATU		11
14	0581014617	50 X 50 X 4,75 X 2170 TUBE		01
15	0551018171	SCRAPER FRONT RIGHT REAR LEFT		11
16	0511018746	1/2" UNC X 2,9" X 2,5" HOLDER		17
17	0511017302	FLAT WASHER 13,50 X 32,50 X 3,0 ZN		34
18	0503010060	1/2 UNC G.5 ZN HEX NUT		34
19	0521067904	BRACKET REAR LEFT FRONT RIGHT		03
20	0502012345	SPINDLE FIXER		03
21	0503013185	3/4" X 5-1/2" BOLT		09
22	0503010023	3/4" SPRING WASHER		09
23	0503010014	3/4" HEX NUT		09

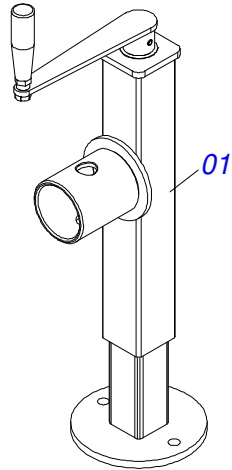


Item	Code	Description	See page	QT
01	0521040667	1-1/2" X 1320 AXLE ASSY		01
01A	0571010816	1.1/2" X 1720 AXLE		01
01B	0501010110	1.1/2" NUT		02
02	0502011594	SPACER		06
03	0511040472	AGRICULTURAL BEARING	10	03
04	0503012246	5/8" X 2-3/4" BOLT		06
05	0521013775	FLAT WASHER		06
06	0503010129	5/8" NUT		12
07	0502010872	1-1/2" INNER AXLE WASHER		01
08	0501018592	1.5/8" NUT LOCK		02
09	0502010871	1-1/2" EXTERNAL AXLE WASHER		01
10	0503011267	5/8 UNC X 1.1/2 C S G.5 ZN BOLT		02
11	0501012140	FLAT WASHER		06
12	0503012412	5/8 UNC SELF LOCKING NUT		06
13	0601031041	DL24X4,75 C76AF02FR1.9/16 TATU		08
14	0581014617	50 X 50 X 4,75 X 2170 TUBE		01
15	0551018171	SCRAPER FRONT RIGHT REAR LEFT		11
16	0511018746	1/2" UNC X 2,9" X 2,5" HOLDER		17
17	0511017302	FLAT WASHER 13,50 X 32,50 X 3,0 ZN		34
18	0503010060	1/2 UNC G.5 ZN HEX NUT		34
19	0521067904	BRACKET REAR LEFT FRONT RIGHT		03
20	0502012345	SPINDLE FIXER		03
21	0503013185	3/4" X 5-1/2" BOLT		09
22	0503010023	3/4" SPRING WASHER		09
23	0503010014	3/4" HEX NUT		09
24	0503010232	5/8" X 1.3/4" BOLT		04
25	0501810110	1.1/2 NC 6FPP NUT		01
26	0502012376	1-1/2" EXTERNAL AXLE LOCK		01
27	0521062026	SPACING 157 (ESP 195)		01
28	0601029414	DL 22 X 4,5 C63AF02FR1.9/16		01
29	0601027299	DL 20 X 4,5 C57AF02FR1.9/16		01

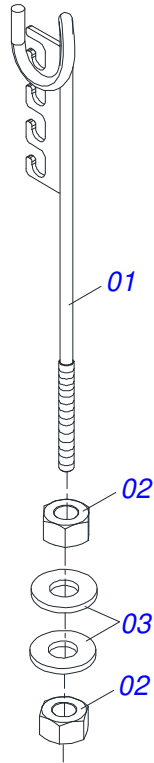
Item	Code	Description	See page	QT
30	0602025266	DR18X4,5 C44AF02FR1.9/16 3REC TATU		01



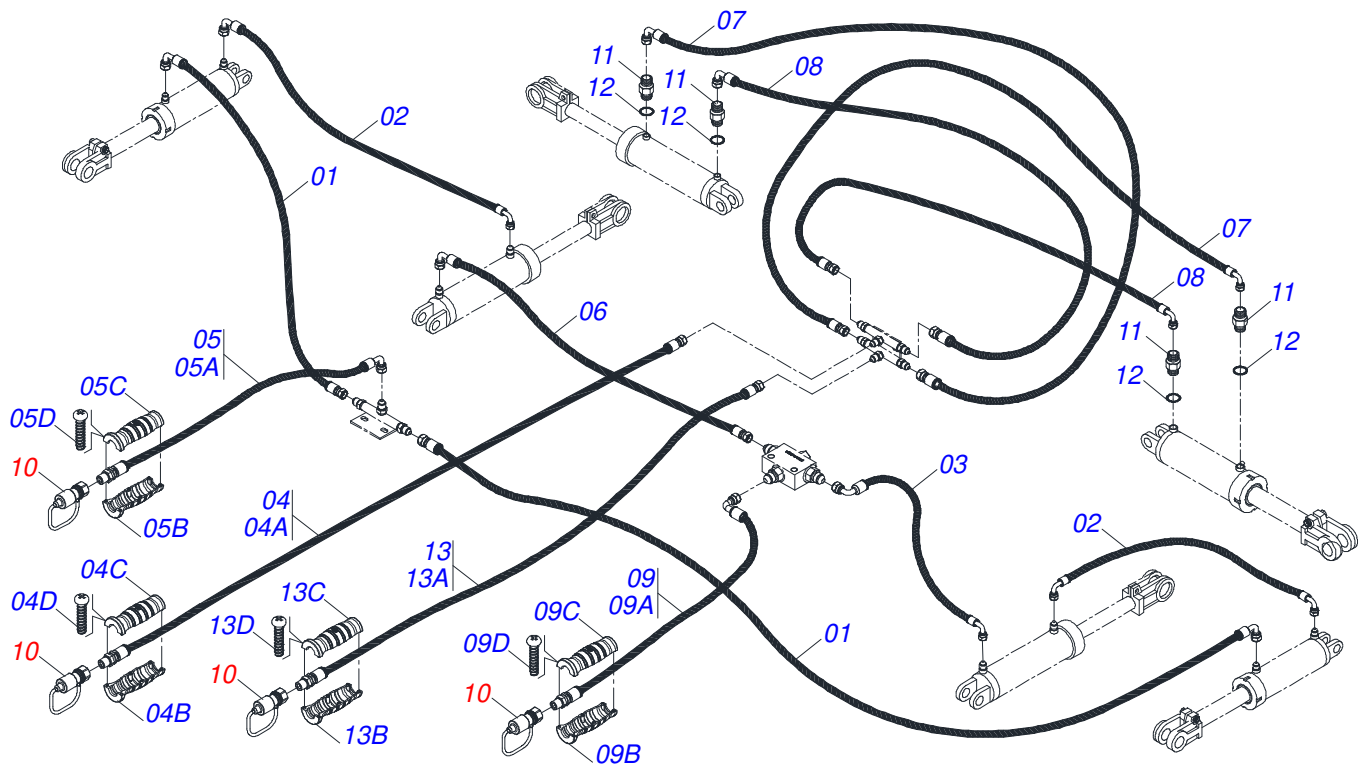
Item	Code	Description	See page	QT
01	0511059885	TRACTOR HITCH ASSY		01
01A	0521067339	TRACTOR HITCH ASSY		01
01B	0581012984	41 X 52.97 SLEEVE		01
01C	0503016033	4.8 X 1.3 X 300 MM NYLON CLAMP		01
01D	0503010002	1800 GREASE FITTING		01
02	0521067883	HEADER		01
03	0503013935	GAUGE 160PSI / 10 BAR		02
04	0501010690	26 X 58 X 4.75 FLAT WASHER		02
05	0503018754	1-8 UNC NUT		02



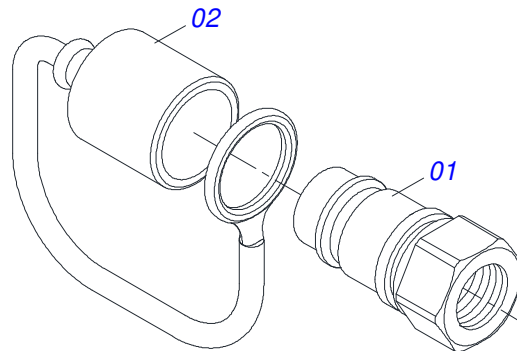
Item	Code	Description	See page	QT
01	0503062227	DRAWBAR JACK		01



Item	Code	Description	See page	QT
01	0511067334	HOSE SUPPORT		01
02	0503010014	3/4" HEX NUT		02
03	0501010322	FLAT WASHER		02



Item	Code	Description	See page	QT
01	0501081519	7500 TR-TC HOSE		02
02	0501081258	3/8 X 6320 TC-TC HOSE		02
03	0501080348	3/8 X 1200 TR-TC HOSE		01
04	0521051597	3/8 X 6800 TR-TM BROWN/RED HOSE		01
04A	0501081214	3/8 X 6800 TR-TM HOSE		01
04B	0503034490	HYDRAULIC HOSE GRIP (BROWN)		01
04C	0503034495	HYDRAULIC HOSE GRIP (RED)		01
04D	0503018952	PLASTIC BOLT		06
05	0521051510	3/8 X 4600 TC-TM BLACK/BLUE HOSE		01
05A	0501080845	3/8 X 4600 TC-TM HOSE		01
05B	0503034492	HYDRAULIC HOSE GRIP (BLACK)		01
05C	0503034494	HYDRAULIC HOSE GRIP (BLUE)		01
05D	0503018952	PLASTIC BOLT		06
06	0501080392	3/8 X 3300 TR-TC HOSE		01
07	0501080419	3/8 X 2100 TR-TC HOSE		02
08	0501081259	3/8 X 870 TR-TC HOSE		02
09	0521056233	3/8 X 6000 TR-TM HOSE BLACK / RED		01
09A	0501080443	3/8 X 6000 TR-TM HOSE		01
09B	0503034495	HYDRAULIC HOSE GRIP (RED)		01
09C	0503034492	HYDRAULIC HOSE GRIP (BLACK)		01
09D	0503018952	PLASTIC BOLT		06
10	0501053834	MALE QUICK COUPLER	51	04
11	0501010617	3/4" NIPPLE		04
12	0503010190	2-114 N 3006-9B O'RING		04
13	0521051598	3/8 X 6800 TR-TM BROWN/BLUE HOSE		01
13A	0501081214	3/8 X 6800 TR-TM HOSE		01
13B	0503034490	HYDRAULIC HOSE GRIP (BROWN)		01
13C	0503034494	HYDRAULIC HOSE GRIP (BLUE)		01
13D	0503018952	PLASTIC BOLT		06



Item	Code	Description	See page	QT
01	0503011627	MALE QUICK COUPLER AGR 1/2 NPT		01
02	0503011882	MALE QUICK COUPLER CAP		01



civemasa

Technical Publications | Elaboration and Revision

ALESSANDRA PATRICIA KAWAHARA CARRILI

www.civemasa.com.br

