

PARTS CATALOGUE

DISK HARROWS

GCCRO 7009 MECHANICAL RIGID AXIS 1.5/8"

Code: 0501092122



Series: S-0916

Review: JANEIRO/2018

**ORIGINAL PARTS
CIVEMASA**

civemasa

PRODUCTS

Code	Description
0121560050	GCCRO 7009 32X28X7,5 DMO MEC ESPECIAL S-0916
0121560051	GCCRO 7009 36X28X7,5 DMO MEC ESPECIAL S-0916
0121560052	GCCRO 7009 40X28X7,5 DMO MEC ESPECIAL S-0916
0121560053	GCCRO 7009 44X28X7,5 DMO MEC ESPECIAL S-0916
0121560054	GCCRO 7009 48X28X7,5 DMO MEC ESPECIAL S-0916
0121560055	GCCRO 7009 52X28X7,5 DMO MEC ESPECIAL S-0916

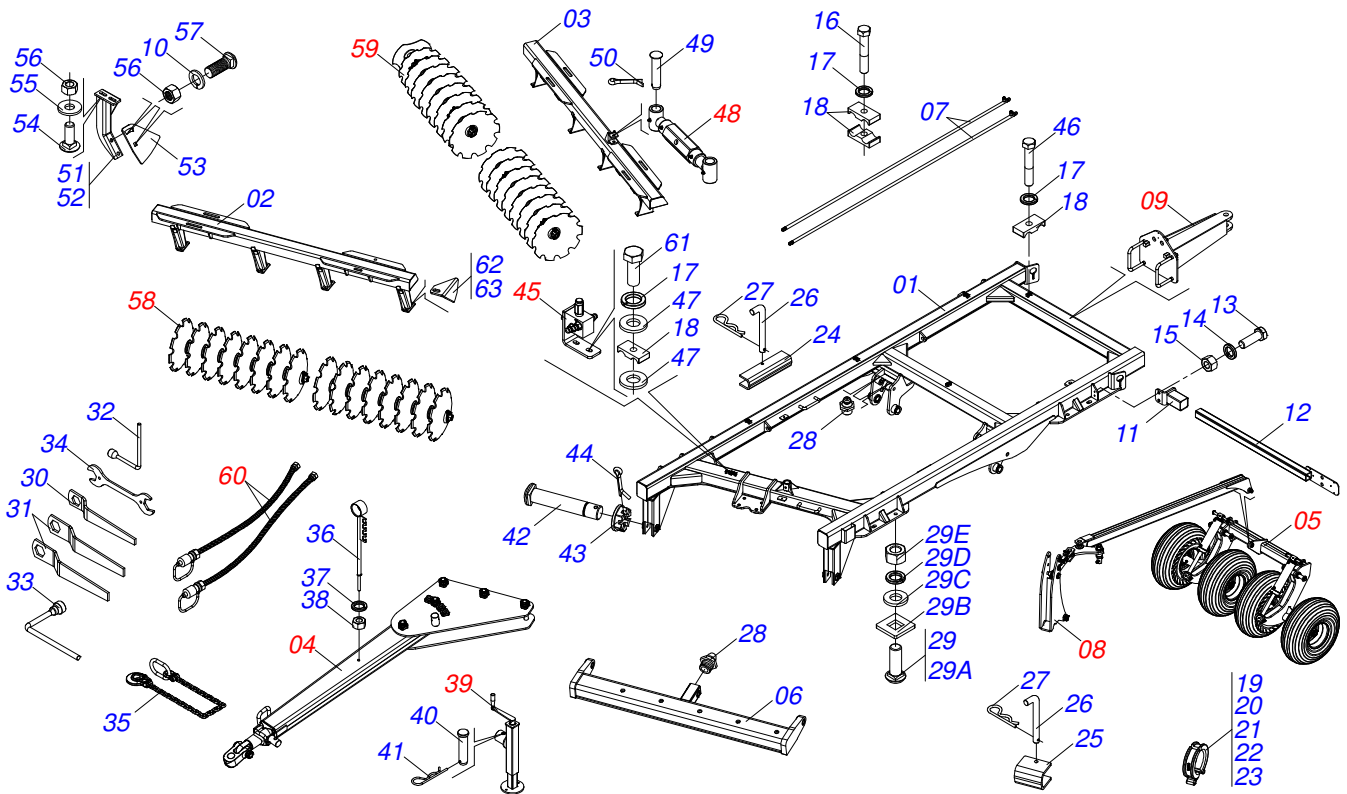
ATTENTION: **IMPORTANT**

CIVEMASA RESERVES THE RIGHT AT ANY TIME TO MAKE IMPROVEMENTS IN THE DESIGN, MATERIAL OR SPECIFICATIONS OF MACHINERY, EQUIPMENT OR PARTS WITHOUT THEREBY BECOMING LIABLE TO MAKE SIMILAR CHANGES IN MACHINERY, EQUIPMENT OR PARTS PREVIOUSLY SOLD.

INDEX

0909093698	FRAME ASSY	1
0521047325	FULL TRACTION BAR	2
0909093667	WHEEL ASSY	3
0521051832	HYDRAULIC CYLINDER	4
0503060414	WHEEL AND TIRE	5
0503060102	WHEEL AND TIRE	6
0501056467	STUB SHAFT & HUB ASSY	7
0909093696	HEAD ARTICULATED ASSY	8
0511059199	AIR TURNBUCKLE STABILIZER BAR	9
0909093668	REAR COUPLING KIT	10
0511048088	DRAWBAR JACK	11
0511059196	VALVE FULL	12
0501052005	STABILIZER FOR GANG	13
0909093669	32D - FRONT DISC SECTION	14
0909093670	32D - REAR DISC SECTION	15
0909093671	36/40/44/48D - FRONT DISC SECTION	16
0909093672	36/40/44/48D - REAR DISC SECTION	17
0909093673	52D - FRONT DISC SECTION	18
0909093674	52D - REAR DISC SECTION	19
0511048374	BEARING DM OL 225 X 1.5/8 OSC C/SUPT/PROT IMP	20
0909093697	HYDRAULIC CIRCUIT OF WHEELSETS WITH REAR HITCH	21

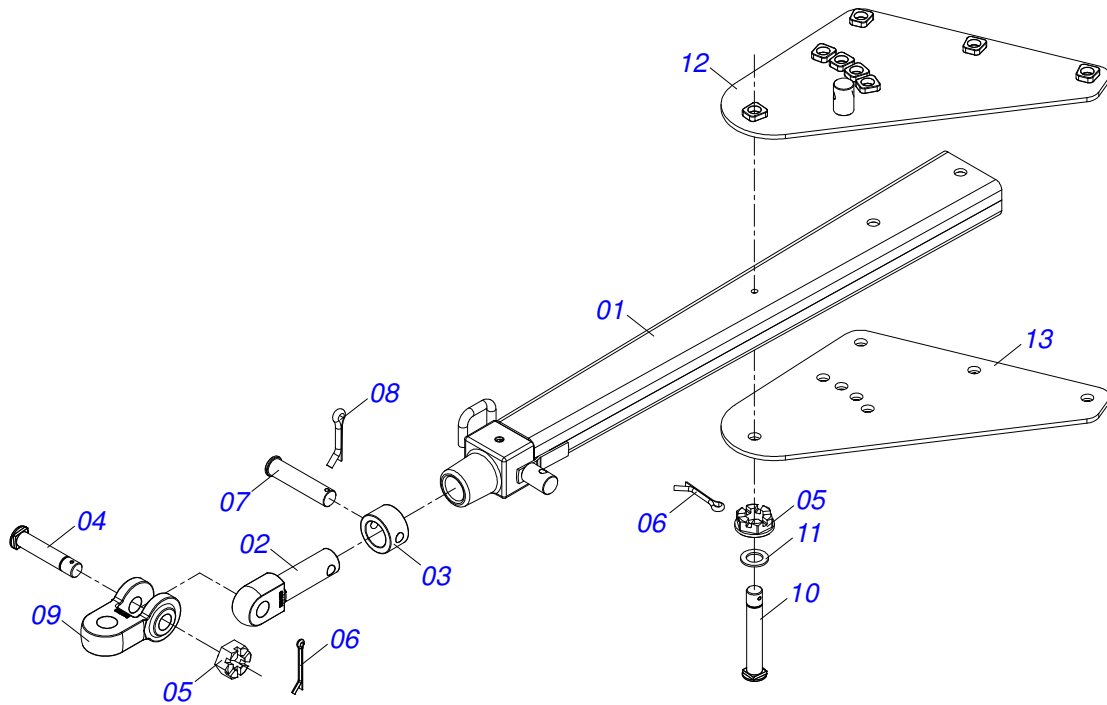
FRAME ASSY



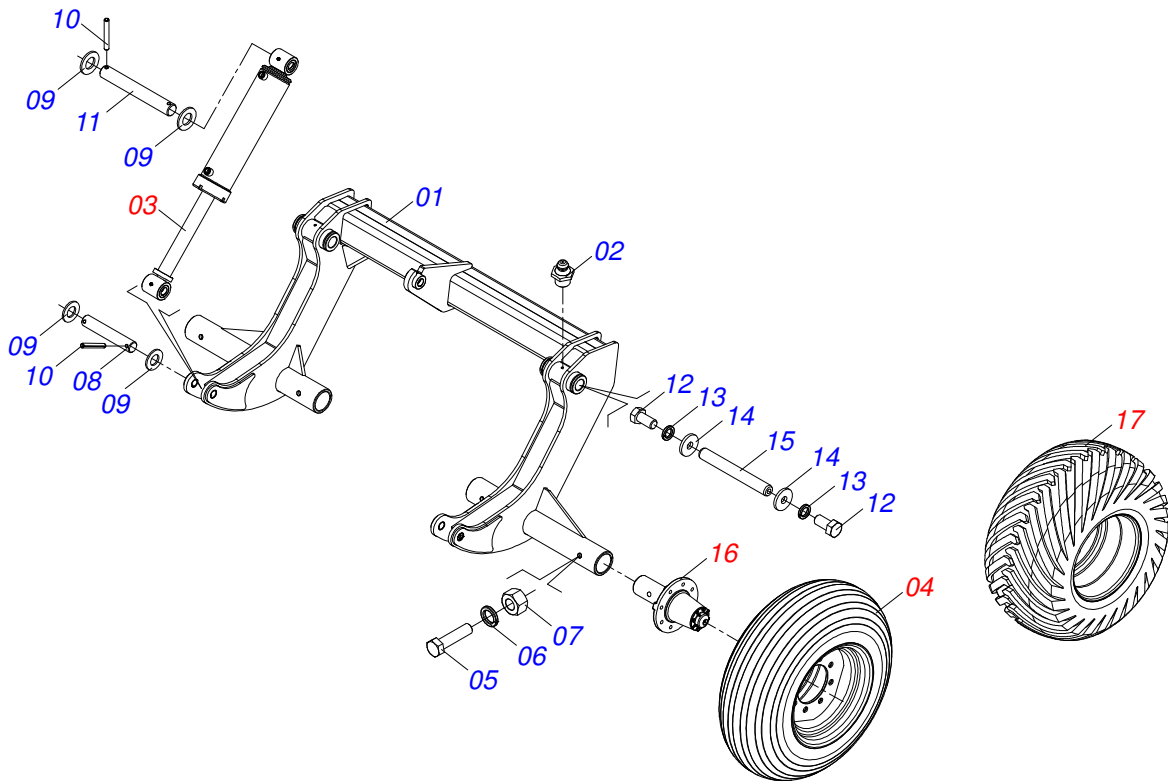
Item	Code	Description	032	036	040	044	048	052
01	0521067802	FRAME	001	001	001	001	001	001
02	0521067918	FRONT FRAME	001	000	000	000	000	000
02.	0521067920	FRONT FRAME	000	001	000	000	000	000
02..	0521067922	FRONT FRAME	000	000	001	000	000	000
02...	0521067924	FRONT FRAME	000	000	000	001	000	000
02....	0521067926	FRONT FRAME	000	000	000	000	001	000
02.....	0521067928	FRONT FRAME	000	000	000	000	000	001
03	0521067919	REAR FRAME	001	000	000	000	000	000
03.	0521067921	REAR FRAME	000	001	000	000	000	000
03..	0521067923	REAR FRAME	000	000	001	000	000	000
03...	0521067925	REAR FRAME	000	000	000	001	000	000
03....	0521067927	REAR FRAME	000	000	000	000	001	000
03.....	0521067929	REAR FRAME	000	000	000	000	000	001
04	0521047325	FULL TRACTION BAR	001	001	001	001	001	001
05	0909093667	WHEEL ASSY	001	001	001	001	001	001
06	0521067800	BAR HITCH	001	001	001	001	001	001
07	0521067804	OIL DISTRIBUTOR DUCT	002	002	002	002	002	002
08	0909092740	HEAD ARTICULATED ASSY	001	001	001	001	001	001
09	0909093668	REAR COUPLING KIT	001	001	001	001	001	001
10	0503010027	SPRING WASHER	050	050	058	066	074	074
11	0521066624	FIXER SUPPORT LANTERN	002	002	002	002	002	002
12	0521066443	SUPPORT FIXER LANTERN	002	002	002	002	002	002
13	0503011082	C1/2" X 1.3/4" BOLT	004	004	004	004	004	004
14	0503010019	1/2" SPRING WASHER	004	004	004	004	004	004
15	0503010060	1/2" NUT	004	004	004	004	004	004
16	0503011103	7/16" X 2-1/2" BOLT	002	002	002	002	002	002
17	0503010180	7/16" SPRING WASHER	007	007	007	007	007	007
18	0502010477	UPPER CLIP	009	009	009	009	009	009
19	0501047895	ROD STOP	006	006	006	006	006	006
20	0501047885	ROD STOP	003	003	003	003	003	003
21	0501047886	ROD STOP	003	003	003	003	003	003
22	0501047887	ROD STOP	003	003	003	003	003	003
23	0501047888	ROD STOP	003	003	003	003	003	003

FRAME ASSY

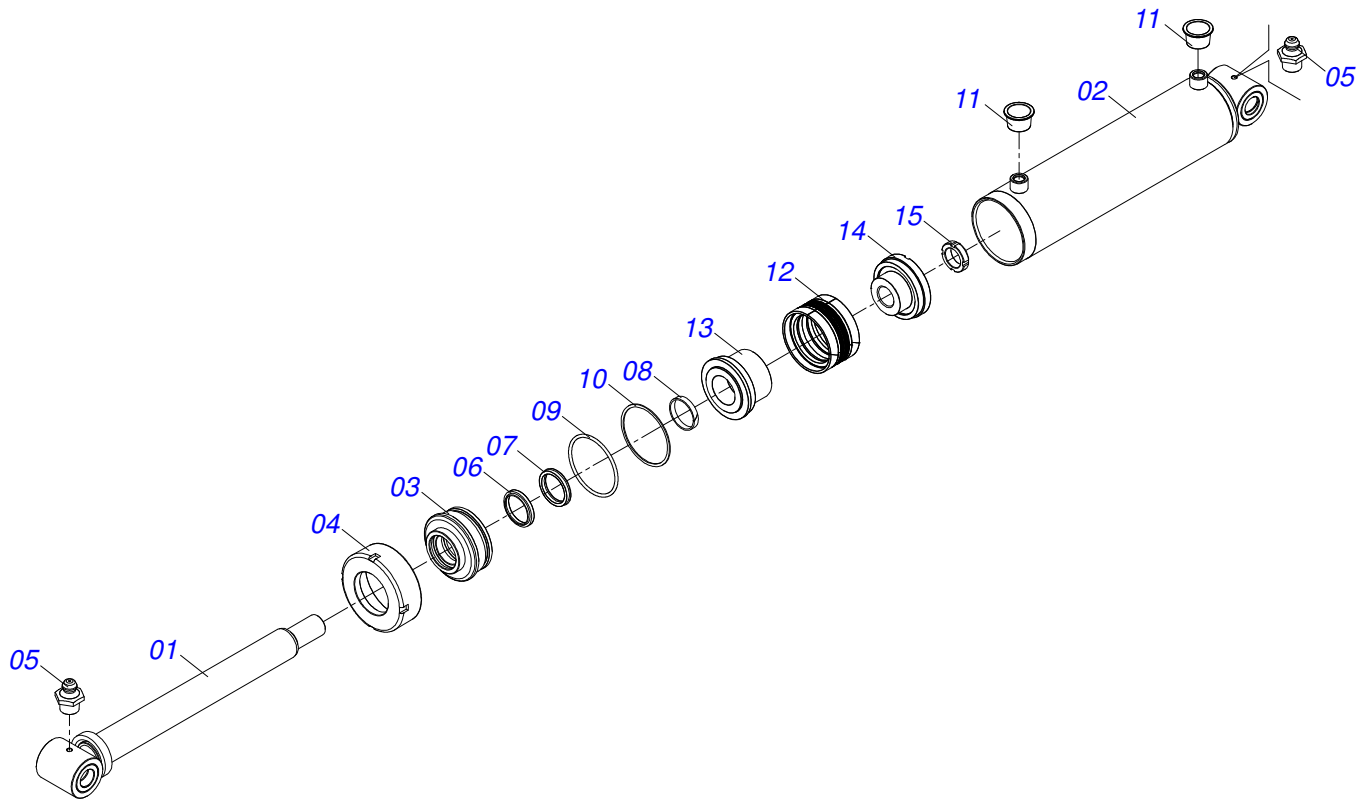
Item	Code	Description	032	036	040	044	048	052
24	0561016693	TRANSPORT LOCK	002	002	002	002	002	002
25	0581010751	TRANSPORT LOCK	001	001	001	001	001	001
26	0541016844	FIXER LOCK	003	003	003	003	003	003
27	0503030285	HAIR PIN	003	003	003	003	003	003
28	0503010002	1800 GREASE FITTING	009	009	009	009	009	009
29	0501041102	1-1/4" X 3-3/4" ASSY BOLT	008	008	008	008	008	008
29A	0501015348	1-1/4" X 3-3/4" BOLT	008	008	008	008	008	008
29B	0501010953	1-1/4" SQUARE WASHER	008	008	008	008	008	008
29C	0531010713	FLAT WASHER	008	008	008	008	008	008
29D	0503010070	SPRING WASHER	008	008	008	008	008	008
29E	0501010087	1.1/4" NUT	008	008	008	008	008	008
30	0501011432	1-1/2" AND 1-5/8 GANG BOLT WRENCH	001	001	001	001	001	001
31	0501011431	1-3/4" GANG BOLT WRENCH	002	002	002	002	002	002
32	0503018438	1" WRENCH CYLINDRICAL HEX	001	001	001	001	001	001
33	0503016137	1-1/4" WRENCH CABLE CYLINDRICAL	001	001	001	001	001	001
34	0541015451	2.3/8" X 2.3/4" WRENCH	001	001	001	001	001	001
35	0503013150	1300 X 3/8 CHAIN	001	001	001	001	001	001
36	0521062849	HOSE HOLDER ASSY	001	001	001	001	001	001
37	0503010023	SPRING WASHER	007	007	007	007	007	007
38	0503010014	3/4" NUT	005	005	005	005	005	005
39	0511048088	DRAWBAR JACK	001	001	001	001	001	001
40	0561014251	COUPLING SHAFT	001	001	001	001	001	001
41	0503030012	HAIR PIN	001	001	001	001	001	001
42	0531018100	37,50 X 200 COUPLING SHAFT	002	002	002	002	002	002
43	0501011301	1.1/2 UNC 6FPP 2.5/16 NUT	002	002	002	002	002	002
44	0503010010	1/4" X 2.1/2" COTTERPIN	002	002	002	002	002	002
45	0511059196	VALVE FULL	001	001	001	001	001	001
46	0503011135	7/16" X 1-1/2" BOLT	003	003	003	003	003	003
47	0501012803	FLAT WASHER	004	004	004	004	004	004
48	0501052005	STABILIZER FOR GANG	001	001	001	001	001	001
49	0521810546	AXIS	002	002	002	002	002	002
50	0503010523	1/4" X 2" COTTERPIN	004	004	004	004	004	004
51	0511065926	FRONT SCRAPER SUPPORT	012	012	014	016	018	018
52	0511065925	REAR SCRAPER SUPPORT	013	013	015	017	019	019
53	0561014263	CLEANER SHOVEL	025	025	029	033	037	037
54	0503013842	5/8" UNC X 1-3/4" BOLT	050	050	058	033	037	037
55	0501012140	FLAT WASHER	050	050	058	066	074	074
56	0503010013	5/8" NUT	100	100	116	132	148	148
57	0503012195	5/8" NUT	050	050	058	033	037	037
58	0909092742	FRONT DISC SECTION	001	001	001	001	001	001
59	0909092743	REAR DISC SECTION	001	001	001	001	001	001
60	0909093697	HYDRAULIC CIRCUIT OF WHEELSETS WITH REAR	001	001	001	001	001	001
61	0503011173	7/16" X 2" BOLT	002	002	002	002	002	002
62	0571015395	CLEANER BEARING	004	006	006	006	006	008
63	0571015396	CLEANER BEARING	004	006	006	006	006	008



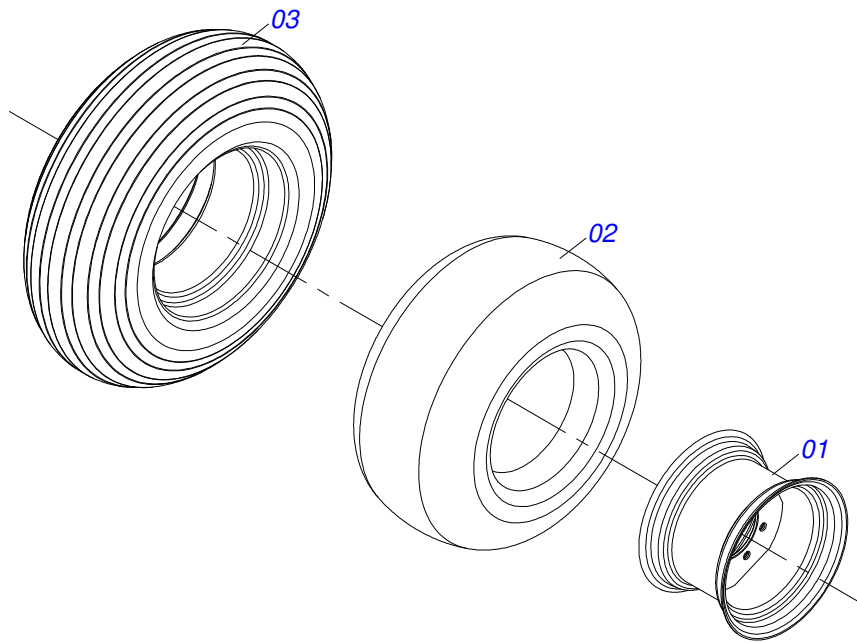
Item	Code	Description	QT
001	0511071192	TRACTION BAR BODY	01
002	1902040223	PIN HITCH	01
003	1902040327	LOCK SLEEVE	01
004	0521012545	COUPLING SHAFT	01
005	0501011301	1.1/2 UNC 6FPP 2.5/16 NUT	06
006	0503010010	1/4" X 2.1/2" COTTERPIN	06
007	0511014902	COUPLING SHAFT	01
008	0503010571	1/4" X 1.1/2 COTTERPIN	01
009	1902040733	U COUPLING HOOK	01
010	0521011880	37,5 X 242 COUPLING SHAFT	05
011	0501012916	FLAT WASHER 38,50 X 66 X 4,75 ZN	05
012	0511067825	UPPER PLATE	01
013	0511067826	LOWER PLATE	01



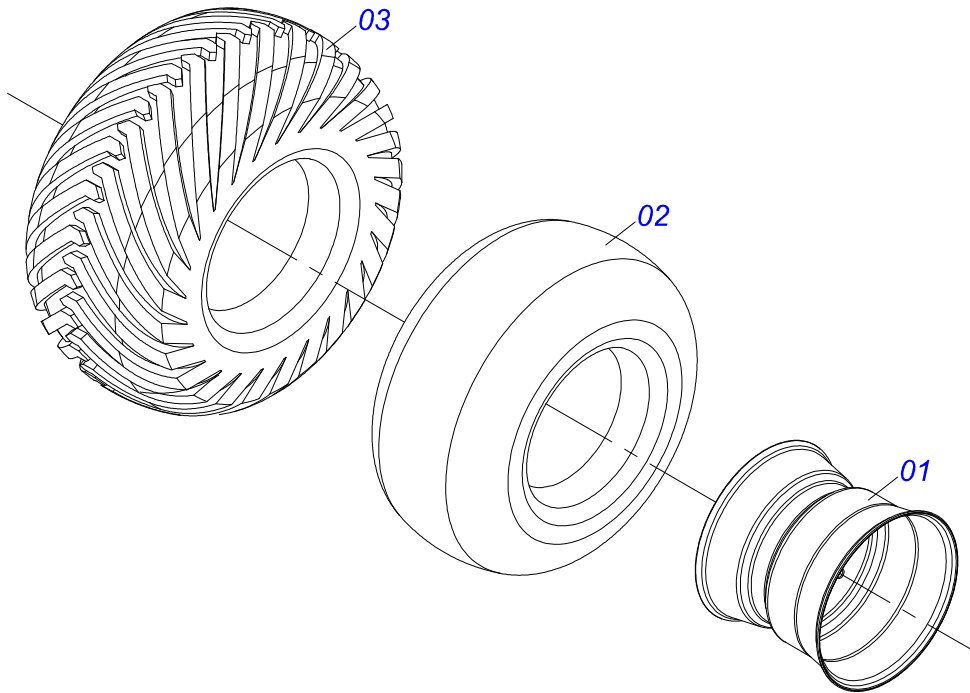
Item	Code	Description	032	036	040	044	048	052
01	0521067803	CARRYNG-WHEELS	001	001	001	001	001	001
02	0503010002	1800 GREASE FITTING	002	002	002	002	002	002
03	0521051832	HYDRAULIC CYLINDER	002	002	002	002	002	002
04	0503060414	WHEEL AND TIRE	004	004	004	004	000	000
05	0503011198	C3/4" X 6" BOLT	004	004	004	004	004	004
06	0503010023	SPRING WASHER	004	004	004	004	004	004
07	0503010014	3/4" NUT	004	004	004	004	004	004
08	0531018101	1.2" X 6.3" PIVOT SHAFT	002	002	002	002	002	002
09	0501017779	FLAT WASHER	008	008	008	008	008	008
10	0503011877	0.3" X 2.4" SPRING PIN	008	008	008	008	008	008
11	0531018105	1.2" X 11.8" PIVOT SHAFT	002	002	002	002	002	002
12	0503011250	1" X 2" BOLT	004	004	004	004	004	004
13	0503010012	1" SPRING WASHER	004	004	004	004	004	004
14	0521011565	FLAT WASHER	004	004	004	004	004	004
15	0531018062	COUPLING SHAFT	002	002	002	002	002	002
16	0501056467	STUB SHAFT & HUB ASSY	004	004	004	004	004	004
17	0503060102	WHEEL AND TIRE	000	000	000	000	004	004



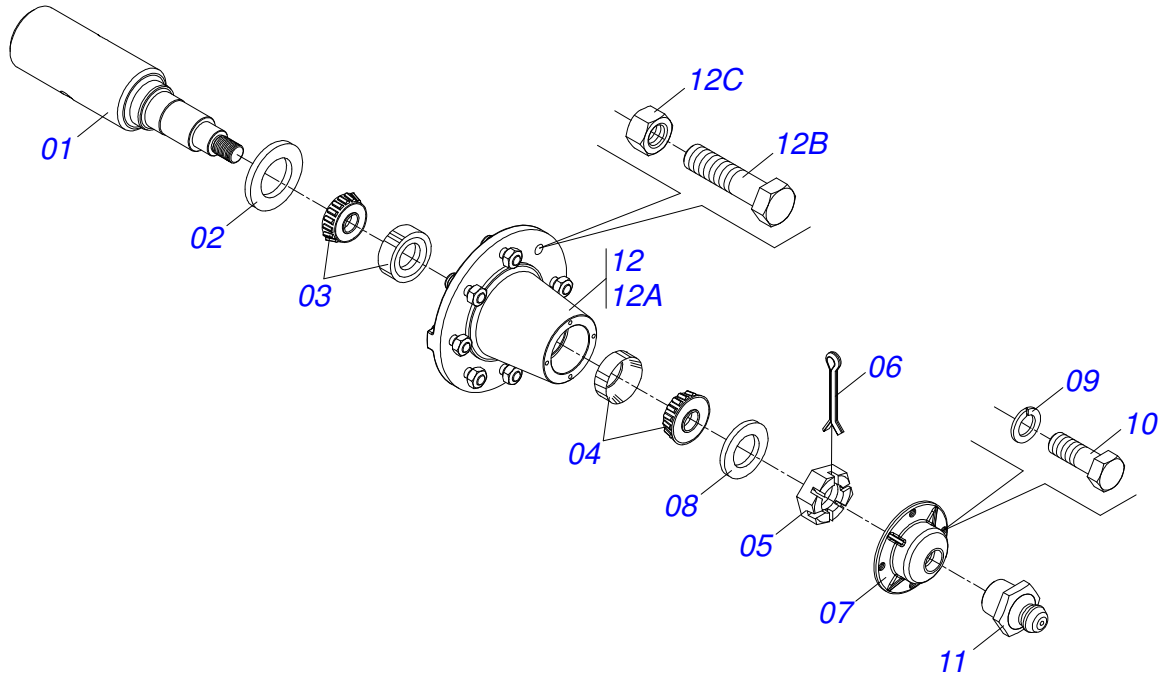
Item	Code	Description	QT
01	0521061684	56,98 X 590,50 TURNBUCKLE	01
02	0521061685	114,30 X 500 CYLINDER CASE	01
03	0502012644	RING SUPPORT	01
04	0502011222	0.56" MOBILE COVER	01
05	0503010002	1800 GREASE FITTING	02
06	0503015715	SCRAPER SEALING	01
07	0503015642	U-CUP SEALING	01
08	0503015641	RING SLYDRING	01
09	0503011892	2-346 N 3006-9B O'RING	01
10	0503011893	8-346 BACK-UP RING	01
11	0503030384	CON N-001 PLUG	02
12	0503015640	SEALING SELEMASTER	01
13	0561016578	PISTON BODY	01
14	0581015283	BODY	01
15	0503819100	SCREW	01



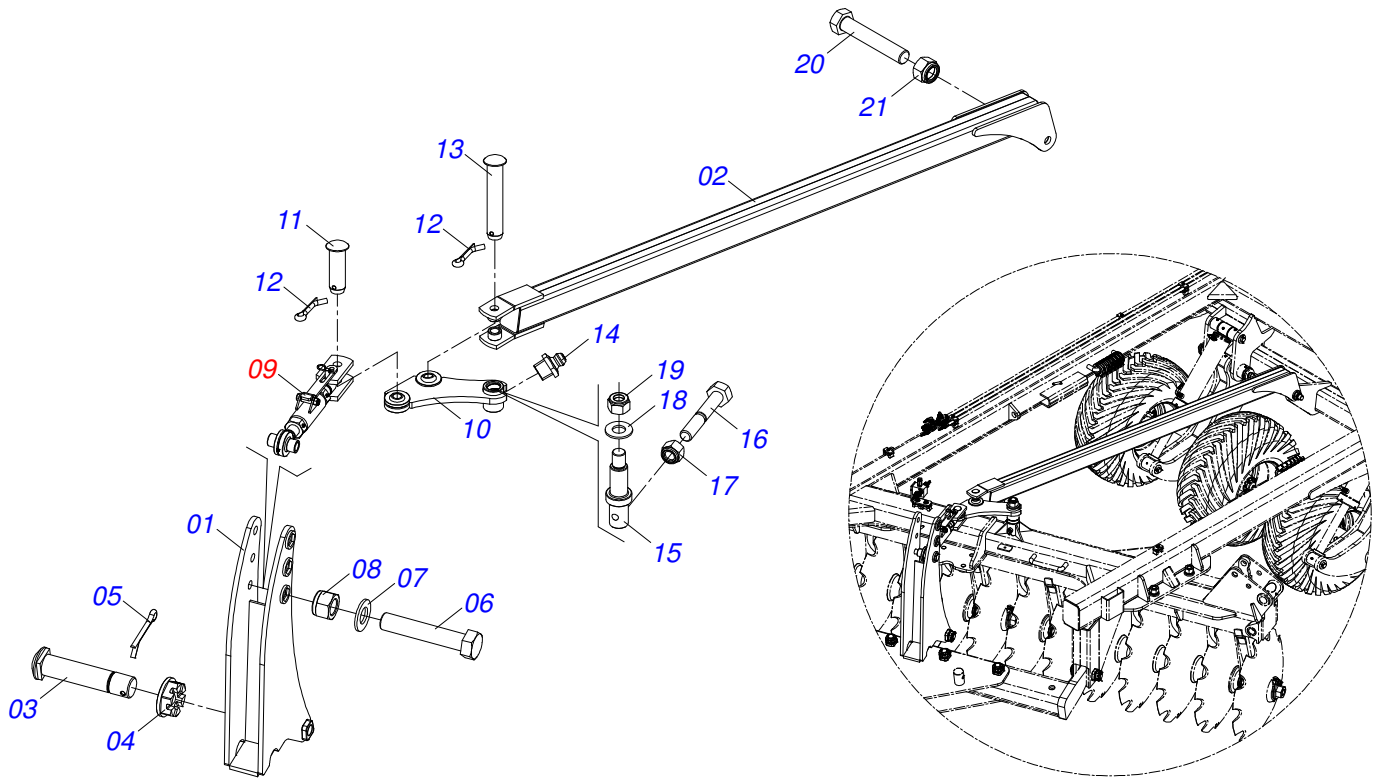
Item	Code	Description	QT
001	0503012108	RODA 10 LB X 15 X 8F X 203 GCRO	01
002	0503010860	CAMARA AR 11L 15	01
003	0503011469	RIB TIRE 12L	01



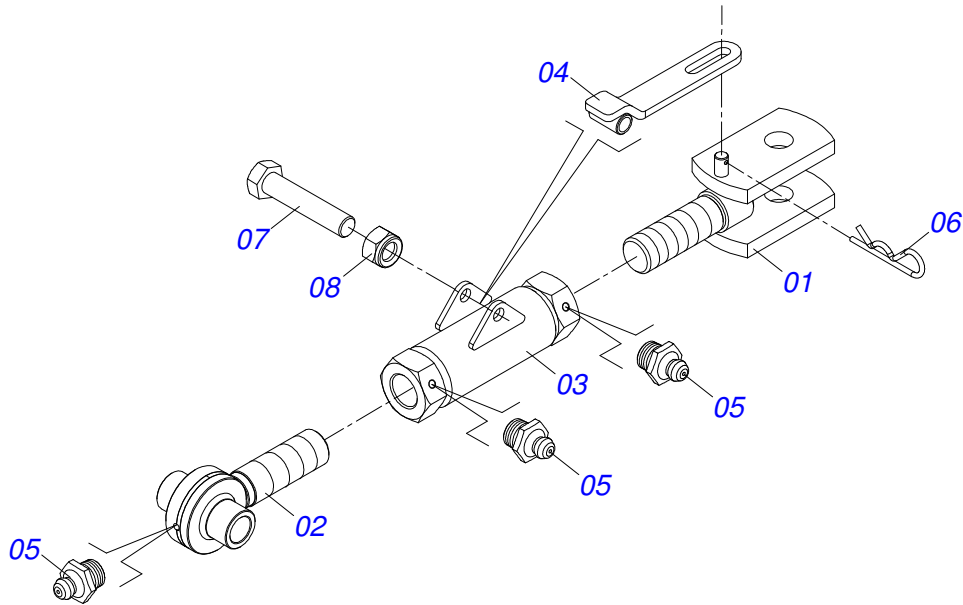
Item	Code	Description	QT
001	0501069483	WHEEL	01
002	0503012112	400/60 - 15.5 TR 15 INNER TIRE	01
003	0503013119	CANVAS TIRE	01



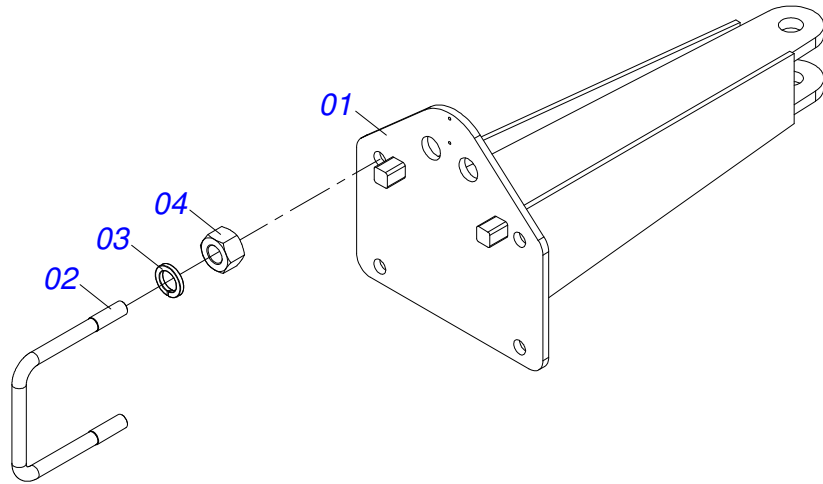
Item	Code	Description	QT
01	0541016566	POINT AXIS 3.1/2 X 375 GCRO 7010	01
02	0503013314	RETENTOR 5166-GB 63,5 X 110 X 13 ARCA	01
03	0503015290	3780/3720 ROLLER BEARING	01
04	0503014821	ROLLER BEARING	01
05	0503830009	1" X 0.9" CASTLE NUT	01
06	0503010018	5/32 X 1-1/2 COTTERPIN	01
07	0502020591	PROTECCION COVER	01
08	0511812492	FLAT WASHER	01
09	0503011444	SPRING WASHER	04
10	0503810358	5/16" X 7/8" UNC BOLT	04
11	0503010002	1800 GREASE FITTING	01
12	0501110738	CARRYING WHEEL HUB	01
12A	0502012260	CAIXA RODADO TRANSPORTE GCRO 2240	01
12B	0501010186	PARAFUSO ROD 5/8UNF X 2.1/8CR	08
12C	0503010064	5/8 UNF CONIC NUT	08



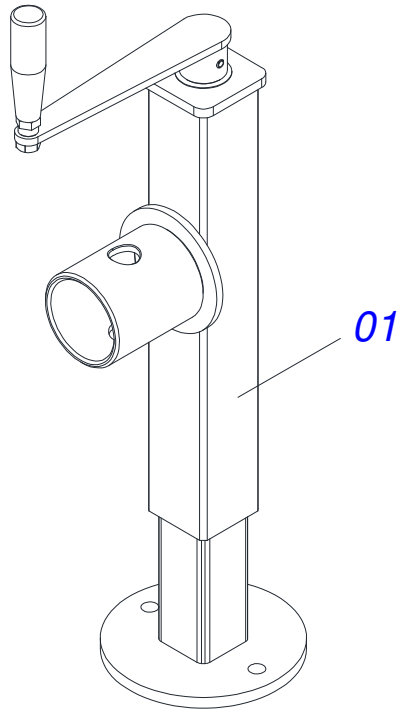
Item	Code	Description	QT
01	0521066758	HEADER ARTICULATOR	01
02	0521067799	STABILIZER BAR	01
03	0521012053	1.5" X 8.6" AXLE	01
04	0501011301	1.1/2 UNC 6FPP 2.5/16 NUT	01
05	0503010010	1/4" X 2.1/2" COTTERPIN	01
06	0521017351	1-1/4" X 8" BOLT	01
07	0501017779	FLAT WASHER	01
08	0503010817	1-1/4" SELF-ADJUSTING NUT	01
09	0511059199	AIR TURNBUCKLE STABILIZER BAR	01
10	0521066960	ARTICULADOR STABILIZER BAR	01
11	0521010780	1.2" X 4.5" COUPLING SHAFT	01
12	0503010523	1/4" X 2" COTTERPIN	02
13	0581811919	AXIS JUNCTION	01
14	0503010002	1800 GREASE FITTING	01
15	0581011775	EJE PIVOT SHAFT STABILIZER BAR	01
16	0501010216	3/4" X 4-1/2" BOLT	01
17	0503011075	NUT	01
18	0501010287	FLAT WASHER	01
19	0503010290	SELF ADJUSTING 1.1/2" UNF NUT	01
20	0503013321	SCREW 1.1/4 UNF X 7 C S G.8 ZN	01
21	0503010817	1-1/4" SELF-ADJUSTING NUT	01



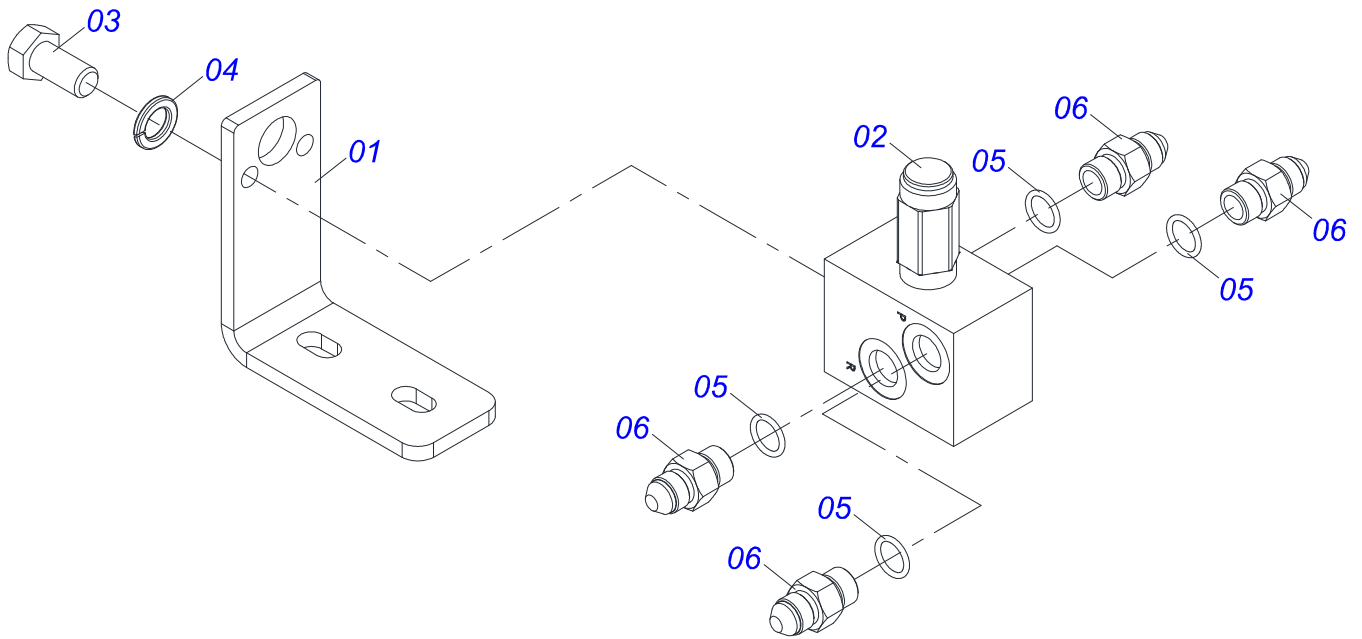
Item	Code	Description	QT
001	0521066962	JACK CRANK C/O. R.1.3/4 ESQ GCRO 7010	01
002	0521066965	JACK CRANK NUT FIXER R.1.3/4 UNC DIR GCRO	01
003	0521066963	ADJUSTMENT NUT R.1.3/4 UNC (245) GCRO	01
004	0521066964	LEVER STABILIZER OF TENSOR REGULATOR	01
005	0503010002	1800 GREASE FITTING	03
006	0503030285	HAIR PIN	01
007	0503010806	5/8" X 3" BOLT	01
008	0503010878	5/8" SELF ALIGNING NUT	01



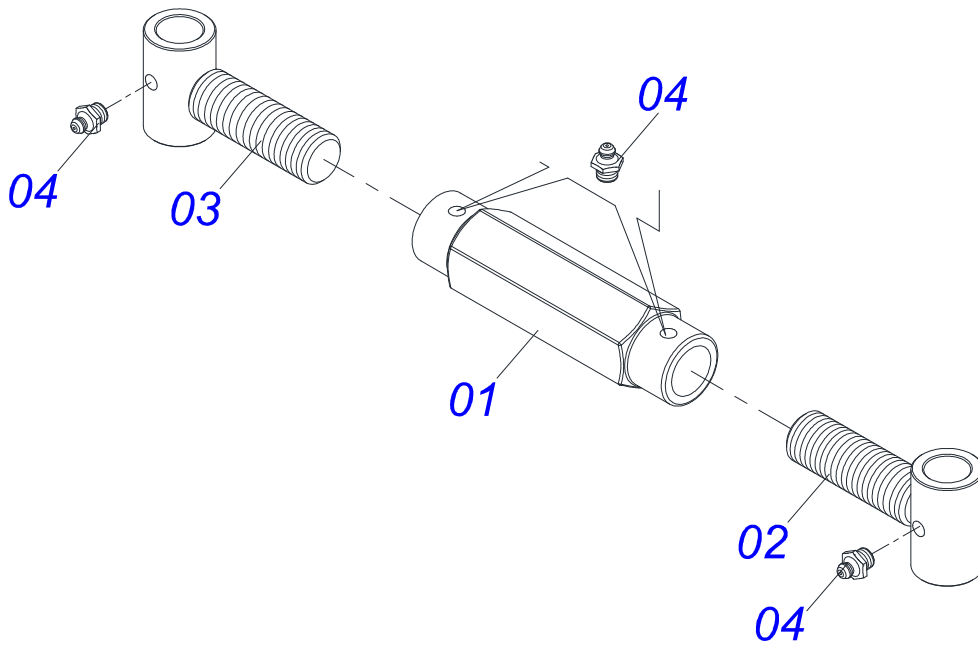
Item	Code	Description	QT
01	0501069421	REAR HITCH GCRO	01
02	0541016679	7/8 UNF X 188,5 FASTENER	02
03	0503010408	7/8" SPRING WASHER	04
04	0503010558	7/8" NUT	04



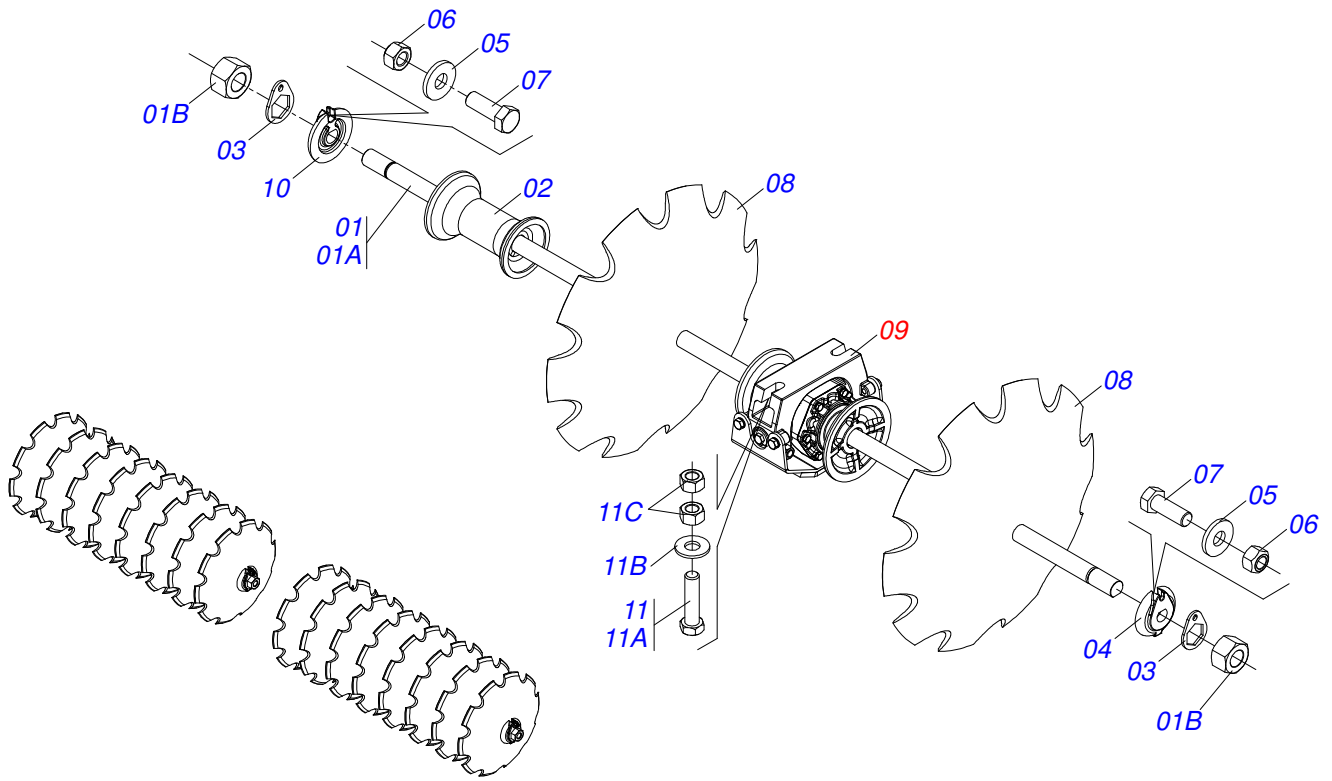
Item	Code	Description	QT
01	0503062227	DRAWBAR JACK	01



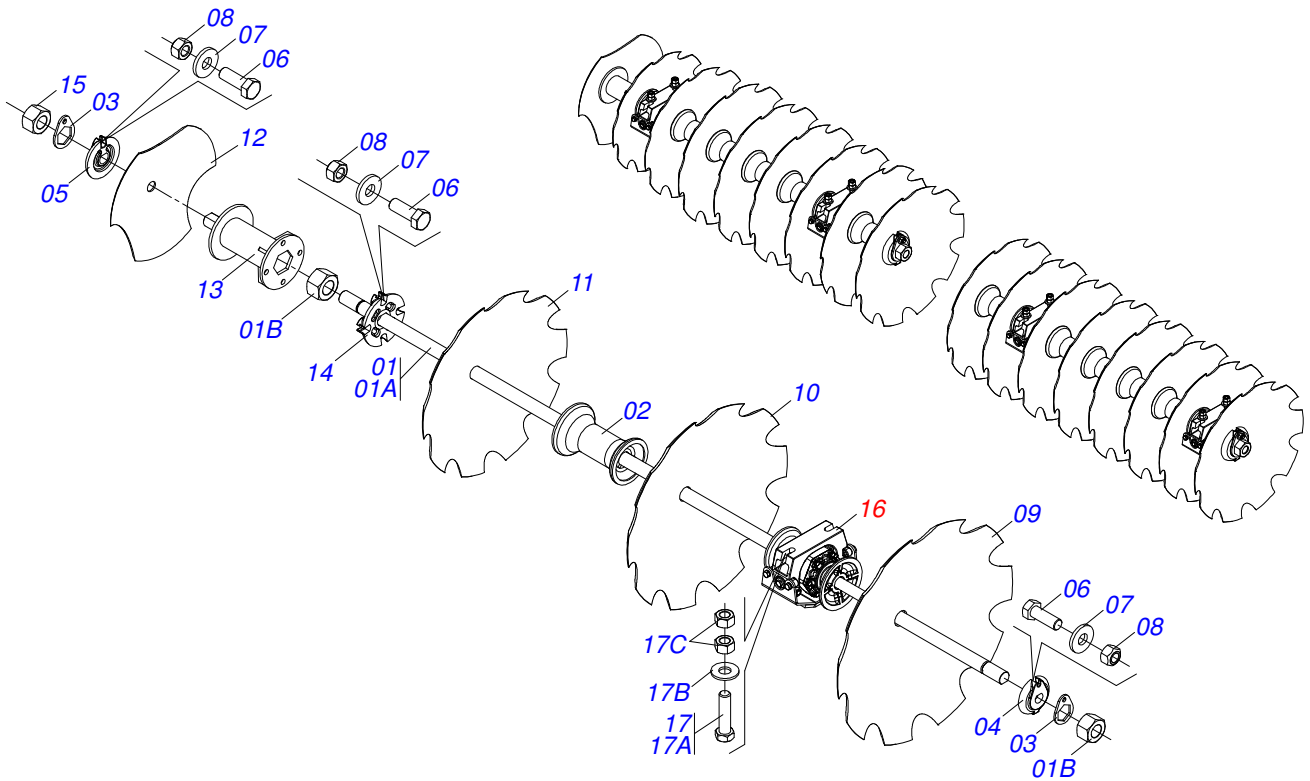
Item	Code	Description	QT
001	0581011745	VALVE SUPPORT	01
002	0503010919	DISCHARGE VALVE	01
003	0503011334	3/8" X 3/4" BOLT	02
004	0503010025	3/8 SPRING WASHER	02
005	0503010190	2-114 N 3006-9B O-RING	04
006	0501010617	3/4" NIPPLE	04



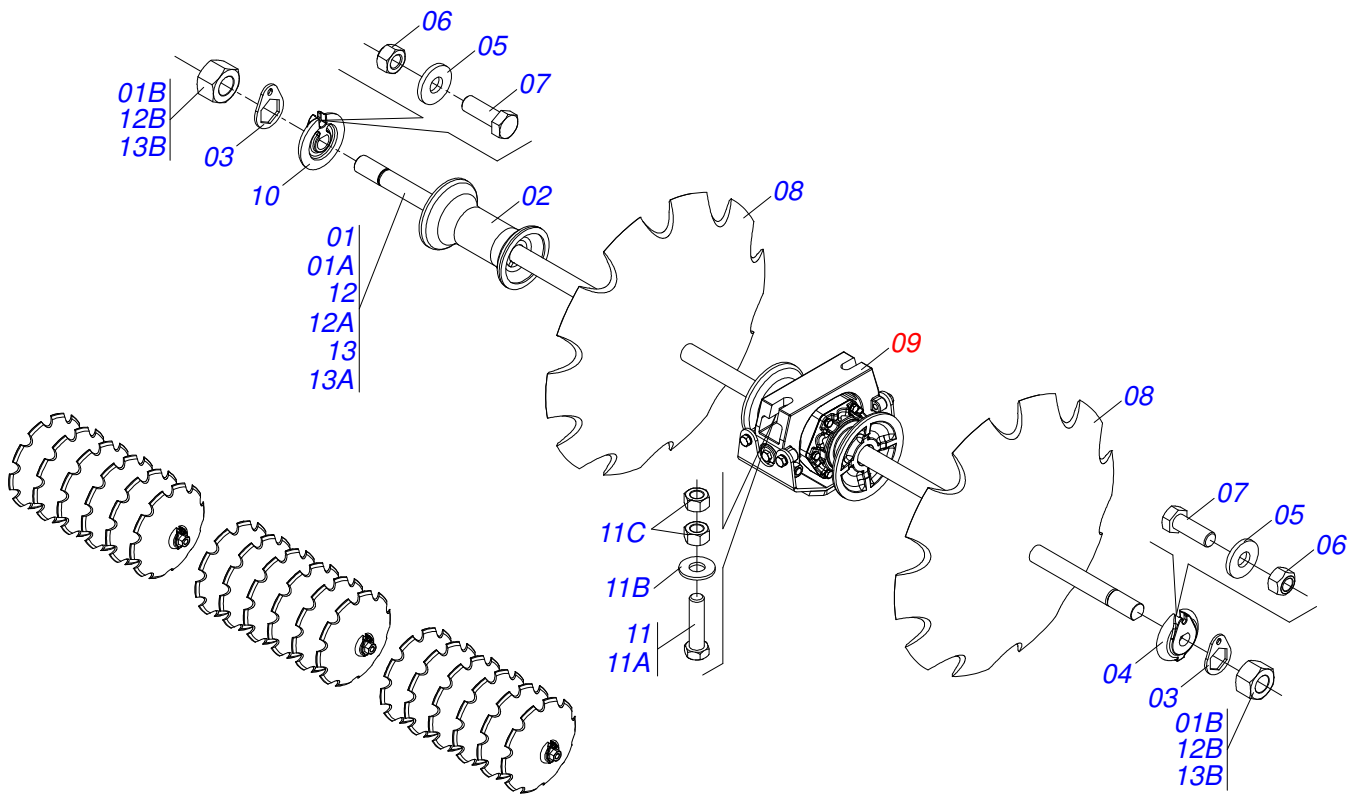
Item	Code	Description	QT
01	0502011469	245 ADJUSTMENT NUT	01
02	0501069416	JACKET	01
03	0501069417	JACK CRANK	01
04	0503010002	1800 GREASE FITTING	04



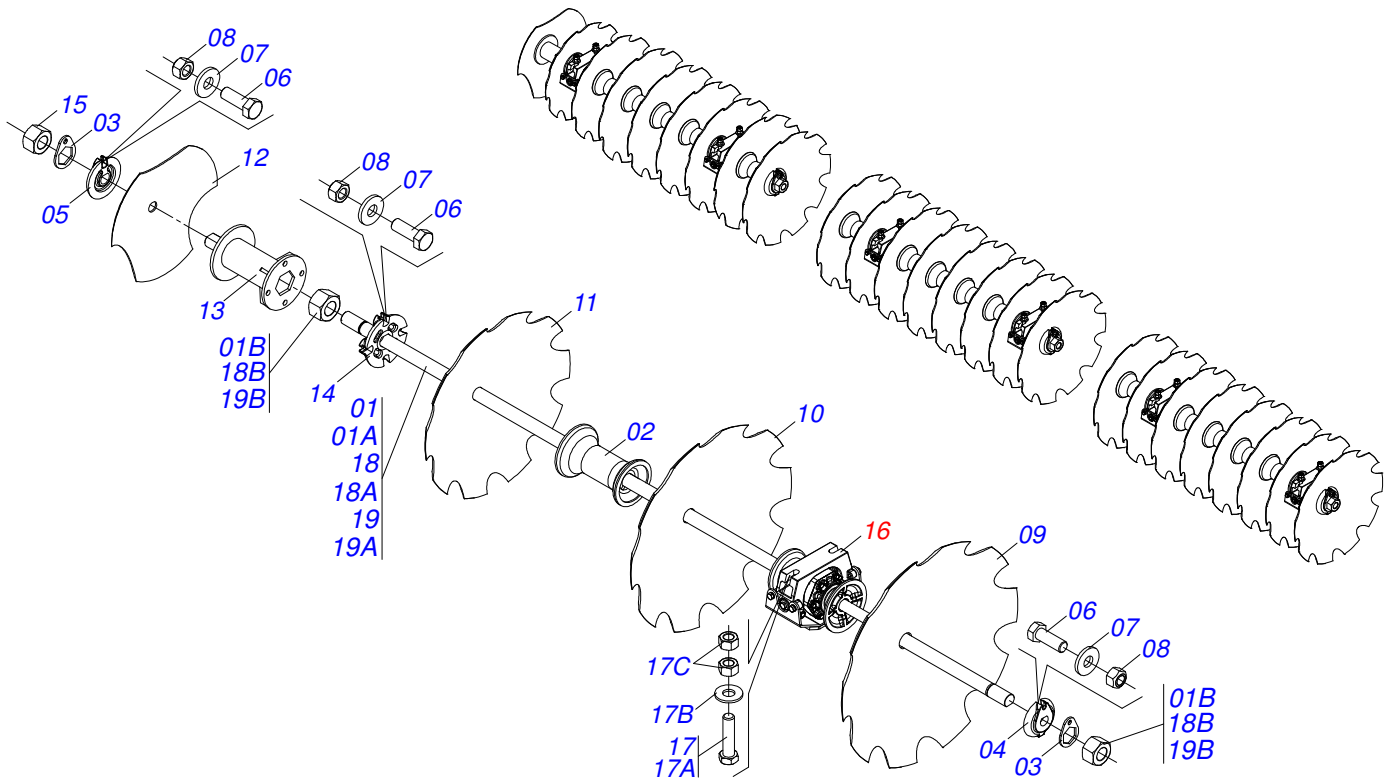
Item	Code	Description	QT
01	0501046859	1-5/8" X 70" AXLE WITH NUTS 2-3/4"	02
01A	0501015631	1-5/8" X 70" AXLE	02
01B	0502840640	1.5/8" 2.3/4" NUT	04
02	0502010626	8.9" 1-5/8" SPACER	10
03	0511014339	1-5/8" 2.8" NUT LOCK	04
04	0502011048	1-5/8" EXTERNAL AXLE WASHER	02
05	0501012140	FLAT WASHER	04
06	0503012412	HEX SELF ADJUSTING NUT 5/8 UNC S	04
07	0503010232	5/8" X 1.3/4" BOLT	04
08	0602037829	DR28X7,5 C102AF02FR1.11/16 10R TATU	10
09	0511048374	BEARING DM OL 225 X 1.5/8 OSC C/SUPT/PROT IMP	04
10	0502011047	1-5/8" INNER AXLE WASHER	04
11	0521047424	SCREW ASSY	08
11A	0501010500	3/4"X3"BOLT	08
11B	0501010322	FLAT WASHER	08
11C	0503012183	SNC 3/4" ZIN 1K03097 NUT	16



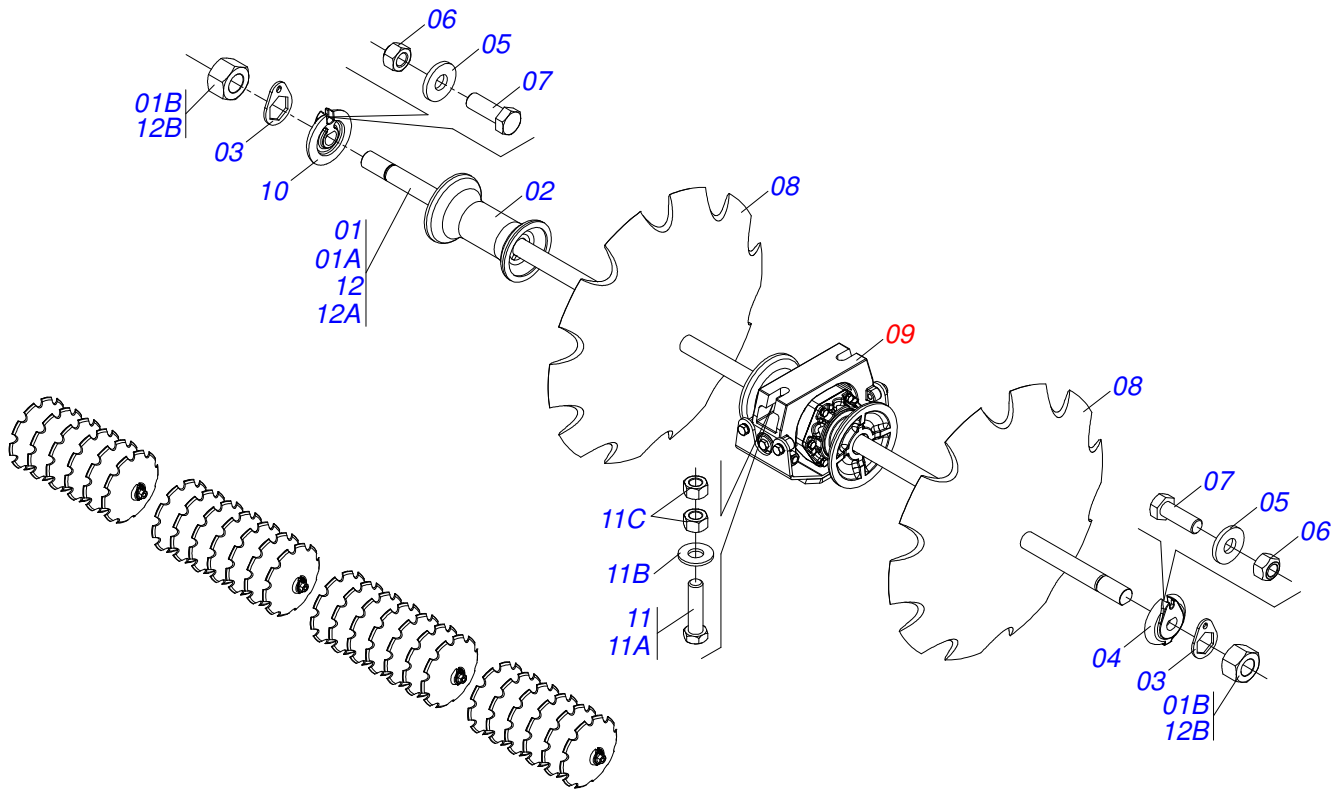
Item	Code	Description	QT
01	0501046859	1-5/8" X 70" AXLE WITH NUTS 2-3/4"	02
01A	0501015631	1-5/8" X 70" AXLE	02
01B	0502040640	1.5/8" 2.3/4" NUT	04
02	0502010626	8.9" 1-5/8" SPACER	10
03	0511014339	1-5/8" 2.8" NUT LOCK	04
04	0502011047	1-5/8" INNER AXLE WASHER	02
05	0502011048	1-5/8" EXTERNAL AXLE WASHER	02
06	0503010232	5/8" X 1.3/4" BOLT	08
07	0501012140	FLAT WASHER	08
08	0503012412	HEX SELF ADJUSTING NUT 5/8 UNC S	08
09	0602037829	DR28X7,5 C102AF02FR1.11/16 10R TATU	14
10	0602033145	DR26X7,5 C89AF02FR42,86 10REC ROME	01
11	0602030424	DR24X7,5 C85AF02FR1.11/16 10REC	01
12	0602029301	22" X 0.2" NOTCHED DISC BLADE	01
13	0521064277	186 SPACER	01
14	0502012377	1-5/8" EXTERNAL AXLE LOK	01
15	0502040640	1.5/8" 2.3/4" NUT	01
16	0511048374	BEARING DM OL 225 X 1.5/8 OSC C/SUPT/PROT IMP	04
17	0521047424	SCREW ASSY	08
17A	0501010500	3/4"X3"BOLT	08
17B	0501010322	FLAT WASHER	08
17C	0503012183	SNC 3/4" ZIN 1K03097 NUT	16



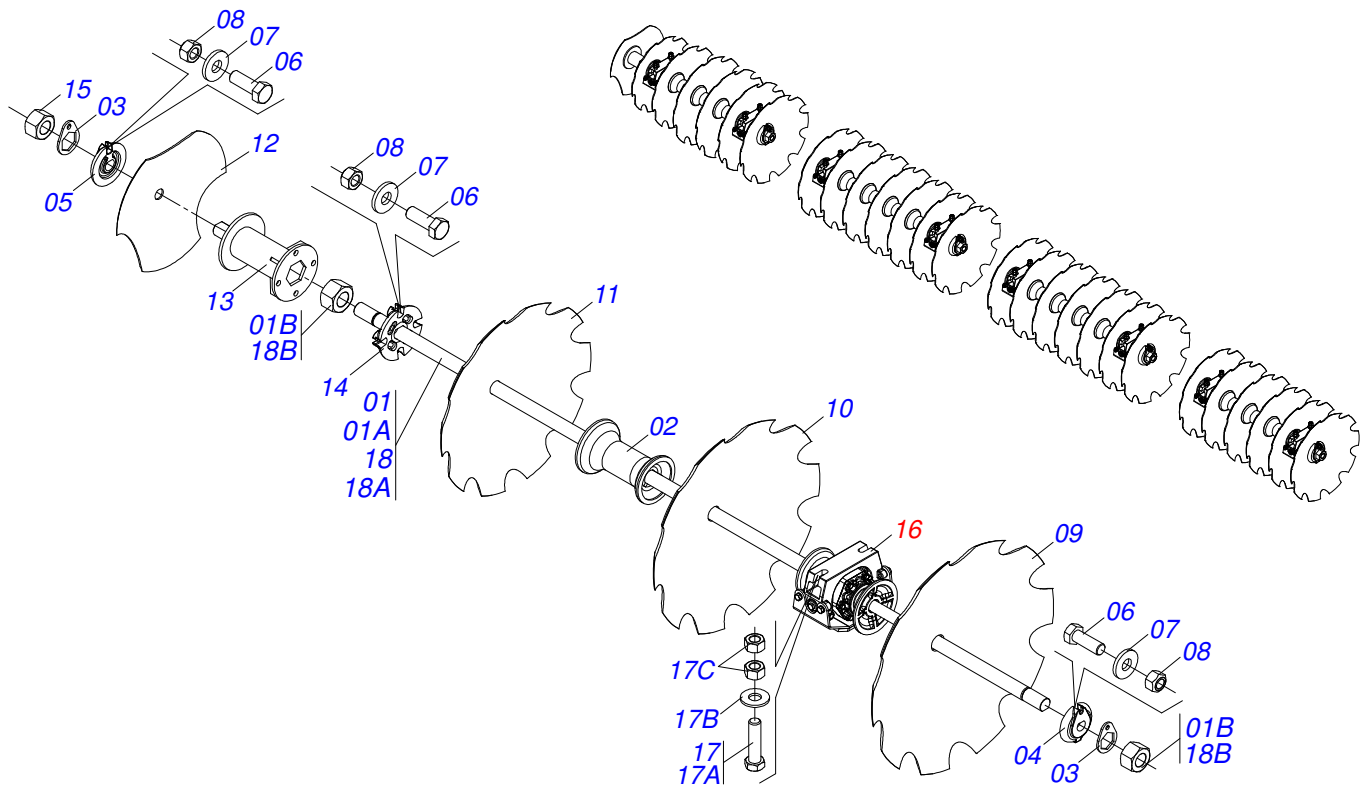
Item	Code	Description	036	040	044	048
01	0501046857	1-5/8" X 61" AXLE WITH NUTS 2-3/4"	000	002	002	000
01A	0501015632	1-5/8" X 61" AXLE	000	002	002	000
01B	0502040640	1.5/8" 2.3/4" NUT	000	004	004	000
02	0502010626	8.9" 1-5/8" SPACER	009	011	013	015
03	0511014339	1-5/8" 2.8" NUT LOCK	006	006	006	006
04	0502011048	1-5/8" EXTERNAL AXLE WASHER	003	003	003	003
05	0501012140	FLAT WASHER	006	006	006	006
06	0503012412	HEX SELF ADJUSTING NUT 5/8 UNC S	006	006	006	006
07	0503010232	5/8" X 1.3/4" BOLT	006	006	006	006
08	0602037829	DR28X7,5 C102AF02FR1.11/16 10R TATU	018	020	022	024
09	0511048374	BEARING DM OL 225 X 1.5/8 OSC C/SUPT/PROT IMP	006	006	006	006
10	0502011047	1-5/8" INNER AXLE WASHER	003	003	003	003
11	0521047424	SCREW ASSY	012	012	012	012
11A	0501010500	3/4"X3"BOLT	012	012	012	012
11B	0501010322	FLAT WASHER	012	012	012	012
11C	0503012183	SNC 3/4" ZIN 1K03097 NUT	024	024	024	024
12	0501046855	1-5/8" X 52" AXLE WITH NUTS 2-3/4"	003	001	000	000
12A	0501015237	1-5/8" X 52" AXLE	003	001	000	000
12B	0502040640	1.5/8" 2.3/4" NUT	006	002	000	000
13	0501046859	1-5/8" X 70" AXLE WITH NUTS 2-3/4"	000	000	001	003
13A	0501015631	1-5/8" X 70" AXLE	000	000	001	003
13B	0502040640	1.5/8" 2.3/4" NUT	000	000	002	006



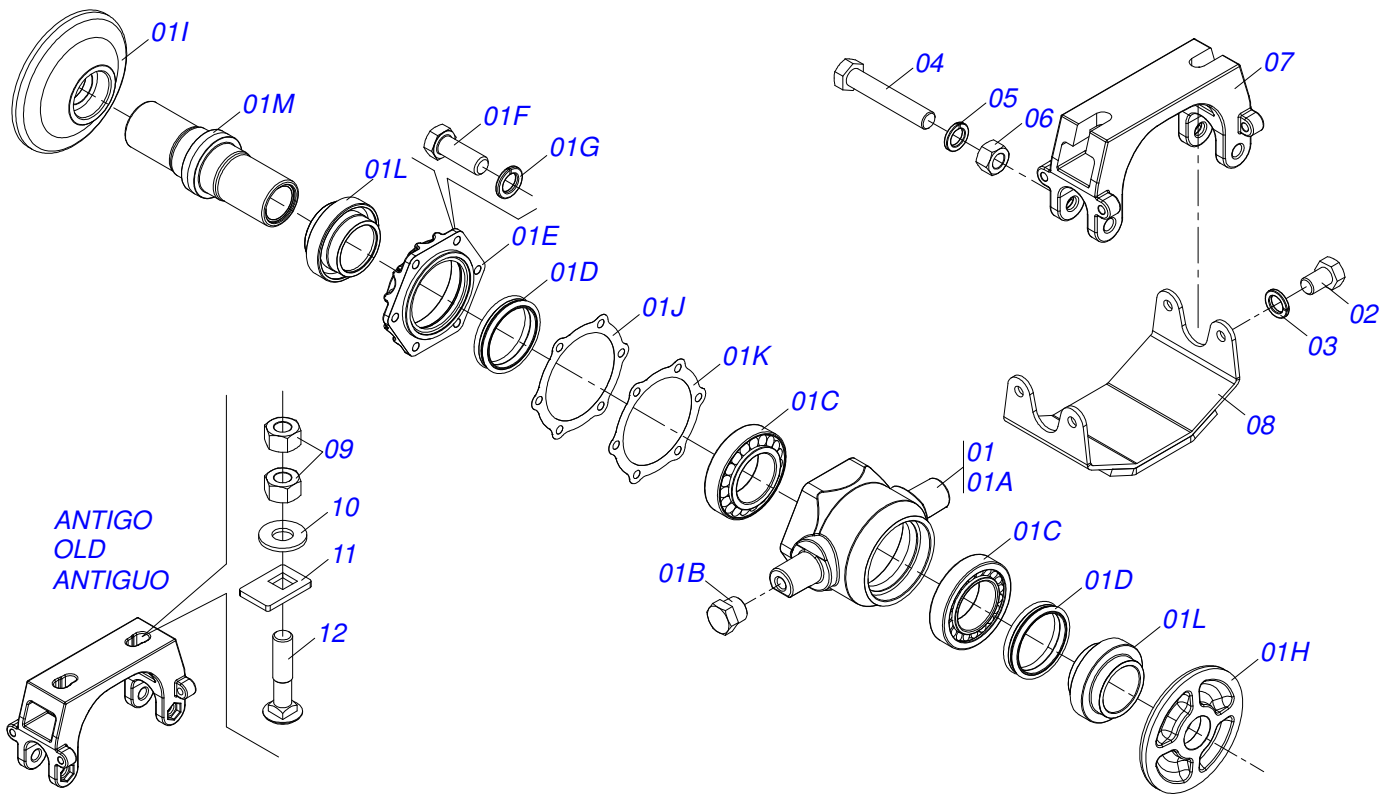
Item	Code	Description	036	040	044	048
01	0501046859	1-5/8" X 70" AXLE WITH NUTS 2-3/4"	000	000	001	003
01A	0501015631	1-5/8" X 70" AXLE	000	000	001	003
01B	0502040640	1.5/8" 2.3/4" NUT	000	000	002	006
02	0502010626	8.9" 1-5/8" SPACER	009	011	012	015
03	0511014339	1-5/8" 2.8" NUT LOCK	006	006	006	006
04	0502011047	1-5/8" INNER AXLE WASHER	003	003	003	003
05	0502011048	1-5/8" EXTERNAL AXLE WASHER	003	003	003	003
06	0503010232	5/8" X 1.3/4" BOLT	010	010	010	010
07	0501012140	FLAT WASHER	010	010	010	010
08	0503012412	HEX SELF ADJUSTING NUT 5/8 UNC S	010	010	010	010
09	0602037829	DR28X7,5 C102AF02FR1.11/16 10R TATU	016	018	020	022
10	0602033145	DR26X7,5 C89AF02FR42,86 10REC ROME	001	001	001	001
11	0602030424	DR24X7,5 C85AF02FR1.11/16 10REC	001	001	001	001
12	0602029301	22" X 0.2" NOTCHED DISC BLADE	001	001	001	001
13	0521064277	186 SPACER	001	001	001	001
14	0502012377	1-5/8" EXTERNAL AXLE LOK	001	001	001	001
15	0502040640	1.5/8" 2.3/4" NUT	001	001	001	001
16	0511048374	BEARING DM OL 225 X 1.5/8 OSC C/SUPT/PROT IMP	006	006	006	006
17	0521047424	SCREW ASSY	012	012	012	012
17A	0501010500	3/4"X3"BOLT	012	012	012	012
17B	0501010322	FLAT WASHER	012	012	012	012
17C	0503012183	SNC 3/4" ZIN 1K03097 NUT	024	024	024	024
18	0501046855	1-5/8" X 52" AXLE WITH NUTS 2-3/4	003	001	000	000
18A	0501015237	1-5/8" X 52" AXLE	003	001	000	000
18B	0502040640	1.5/8" 2.3/4" NUT	006	002	000	000
19	0501046857	1-5/8" X 61" AXLE WITH NUTS 2-3/4"	000	002	002	000
19A	0501015632	1-5/8" X 61" AXLE	000	002	002	000
19B	0502040640	1.5/8" 2.3/4" NUT	000	004	004	000



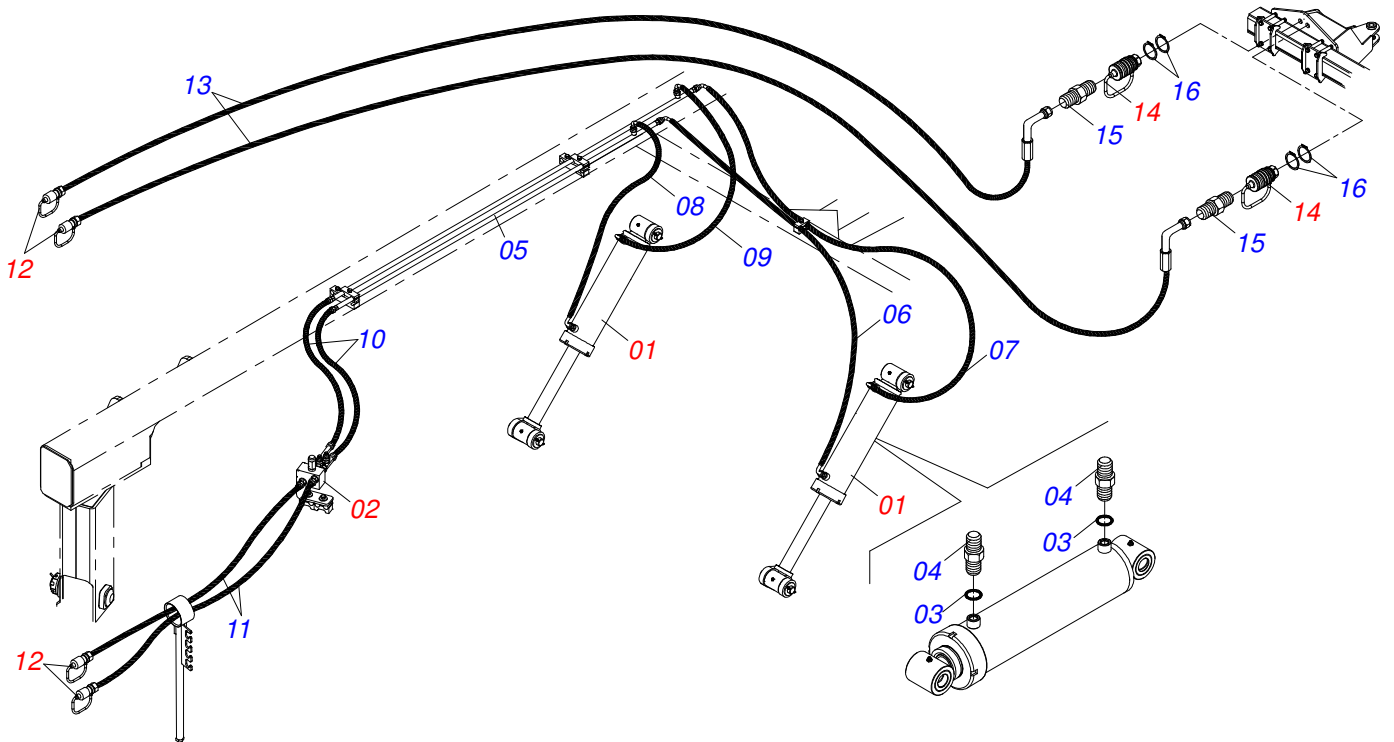
Item	Code	Description	QT
01	0501046855	1-5/8" X 52" AXLE WITH NUTS 2-3/4	02
01A	0501015237	1-5/8" X 52" AXLE	02
01B	0502040640	1.5/8" 2.3/4" NUT	04
02	0502010626	8.9" 1-5/8" SPACER	14
03	0511014339	1-5/8" 2.8" NUT LOCK	08
04	0502011048	1-5/8" EXTERNAL AXLE WASHER	04
05	0501012140	FLAT WASHER	08
06	0503012412	HEX SELF ADJUSTING NUT 5/8 UNC S	08
07	0503010232	5/8" X 1.3/4" BOLT	08
08	0602037829	DR28X7,5 C102AF02FR1.11/16 10R TATU	26
09	0511048374	BEARING DM OL 225 X 1.5/8 OSC C/SUPT/PROT IMP	08
10	0502011047	1-5/8" INNER AXLE WASHER	04
11	0521047424	SCREW ASSY	16
11A	0501010500	3/4"X3"BOLT	16
11B	0501010322	FLAT WASHER	16
11C	0503012183	SNC 3/4" ZIN 1K03097 NUT	32
12	0501046857	1-5/8" X 61" AXLE WITH NUTS 2-3/4"	02
12A	0501015632	1-5/8" X 61" AXLE	02
12B	0502040640	1.5/8" 2.3/4" NUT	04



Item	Code	Description	QT
01	0501046857	1-5/8" X 61" AXLE WITH NUTS 2-3/4"	02
01A	0501015632	1-5/8" X 61" AXLE	02
01B	0502040640	1.5/8" 2.3/4" NUT	04
02	0502010626	8.9" 1-5/8" SPACER	14
03	0511014339	1-5/8" 2.8" NUT LOCK	08
04	0502011047	1-5/8" INNER AXLE WASHER	04
05	0502011048	1-5/8" EXTERNAL AXLE WASHER	04
06	0503010232	5/8" X 1.3/4" BOLT	12
07	0501012140	FLAT WASHER	12
08	0503012412	HEX SELF ADJUSTING NUT 5/8 UNC S	12
09	0602037829	DR28X7,5 C102AF02FR1.11/16 10R TATU	24
10	0602033145	DR26X7,5 C89AF02FR42,86 10REC ROME	01
11	0602030424	DR24X7,5 C85AF02FR1.11/16 10REC	01
12	0602029301	22" X 0.2" NOTCHED DISC BLADE	01
13	0521064277	186 SPACER	01
14	0502012377	1-5/8" EXTERNAL AXLE LOK	01
15	0502040640	1.5/8" 2.3/4" NUT	01
16	0511048374	BEARING DM OL 225 X 1.5/8 OSC C/SUPT/PROT IMP	08
17	0521047424	SCREW ASSY	16
17A	0501010500	3/4"X3"BOLT	16
17B	0501010322	FLAT WASHER	16
17C	0503012183	SNC 3/4" ZIN 1K03097 NUT	32
18	0501046855	1-5/8" X 52" AXLE WITH NUTS 2-3/4	02
18A	0501015237	1-5/8" X 52" AXLE	02
18B	0502040640	1.5/8" 2.3/4" NUT	04



Item	Code	Description	QT
01	0501059734	225 OSCILLATING BEARING	01
01A	0502020691	AGRICULTURAL BEARING BOX	01
01B	0503010856	OIL PLUG	02
01C	0503010005	32212 ROLLER BEARING	02
01D	0503030027	DUO-CONE SEAL	02
01E	0502020161	BEARING CAP	01
01F	0503010237	3/8" X 1" BOLT	06
01G	0503011443	SPRING WASHER	06
01H	0502040240	INNER FLANGE	01
01I	0502040239	OUTER FLANGE	01
01J	0503030030	5.6" X 4.4" X 0.01" GASKET	01
01K	0503030685	5.5" X 4.4" X 0.003" GASKET	01
01L	0502040287	SEAL RETAINER	02
01M	0502010899	AXLE CM/DM	01
02	0503011401	1/2" X 3/4" BOLT	04
03	0503010019	1/2" SPRING WASHER	04
04	0503010762	5/8" X 3-12" BOLT	02
05	0503010027	SPRING WASHER	02
06	0503010013	5/8" NUT	02
07	0502012626	CENTER OSCILLATING BEARING SUPPORT	01
08	0521067341	BEARING SWING COVER WITH ENHANCED	01
09	0503010014	3/4" NUT	04
10	0501010322	FLAT WASHER	02
11	0541014269	3/4 SQUARE WASHER	02
12	0501010950	3/4" X 3-1/2" BOLT	02



Item	Code	Description	QT
01	0521051832	HYDRAULIC CYLINDER	02
02	0511059196	VALVE FULL	01
03	0503010190	2-114 N 3006-9B O-RING	04
04	0501010617	3/4" NIPPLE	04
05	0521067804	OIL DISTRIBUTOR DUCT	02
06	0501080370	TC-TC HOSE ASSY	01
07	0501080644	3/8" X 78.7" TC-TC HOSE ASSY	01
08	0501080065	3/8 X 1200 TC-TC HOSE ASSY	01
09	0501082058	HOSE 3/8 X 800 TC-TC	01
10	0501080106	TR-TR HOSE ASSY	02
11	0501080205	HOSE 3/8 X 5500 TR-TM	02
12	0501053834	QUICK CONECTION (MALE) 1/2	04
13	0501081322	3/8" X 11500 TC-TM HOSE	02
14	0501053835	FEMALE QUICK COUPLER	02
15	0571015342	3/4" NIPLE	02
16	0503010217	501040 CLAMPING RING (FOR AXLE)	04



email: civemasa@civemasa.com.br

www.civemasa.com.br

Phone: +55 16.3382.8222

Fax: +55 16.3382.8355

MARCHESAN IMPLEMENTOS E MÁQUINAS AGRÍCOLAS "TATU" S.A.

Av. Marchesan, 1979 - Post Office box, 131 - Cep 15994-900 - Matão - Sp - Brasil

CNPJ 52.311.289/0001-63 | Inst. Est.441.000.151.114

Technical Publications: Elaboration

ALESSANDRA PATRICIA KAWAHARA CARRILI

Technical Publications: Revision

ALESSANDRA PATRICIA KAWAHARA CARRILI

Contact Catálogo:

E-mail = jgaspari@marchesan.com.br

ORIGINAIS PARTS
CIVEMASA

