

DISK PLOW

AACH - 02/03/04

Code: 0501092114

Series: S-0593

Revision: 00

Revision Date: ABRIL/2018

PARTS CATALOGUE

CIVEMASA

PRODUCTS

Code	Description
0120870025	AACH 2 AIVECA REC C/R 61240258
0120870004	AACH 2 C/R S/DC C/REVEST 61240193
0120870005	AACH 2 C/R S/DC S/REVEST 61240083
0120870006	AACH 2 S/R C/DC C/REVEST 61240166
0120870006C	AACH 2 S/R C/DC C/REVEST EXP S-0593
0120870007	AACH 2 S/R C/DC S/REVEST 61240056
0120870008	AACH 2 S/R S/DC C/REVEST 61240148
0120870009	AACH 2 S/R S/DC S/REVEST 61240019
0120870026	AACH 3 AIVECA REC C/R 61240267
0120870010	AACH 3 C/R C/DC C/REVEST 61240239
0120870011	AACH 3 C/R C/DC S/REVEST 61240129
0120870012	AACH 3 C/R S/DC C/REVEST 61240202
0120870013	AACH 3 C/R S/DC S/REVEST 61240092
0120870014	AACH 3 S/R C/DC C/REVEST 61240175
0120870014C	AACH 3 S/R C/DC C/REVEST EXP S-0593
0120870015	AACH 3 S/R C/DC S/REVEST 61240065
0120870016	AACH 3 S/R S/DC C/REVEST 61240157
0120870017	AACH 4 C/R C/DC C/REVEST 61240249
0120870018	AACH 4 C/R C/DC S/REVEST 61240139
0120870019	AACH 4 C/R S/DC C/REVEST 61240211
0120870020	AACH 4 C/R S/DC S/REVEST 61240101
0120870021	AACH 4 S/R C/DC C/REVEST 61240184
0120870021C	AACH 4 S/R C/DC C/REVEST EXP S-0593
0120870022	AACH 4 S/R C/DC S/REVEST 61240074
0120870023	AACH 4 S/R S/DC C/REVEST 61240029
0120870024	AACH 4 S/R S/DC S/REVEST 61240047

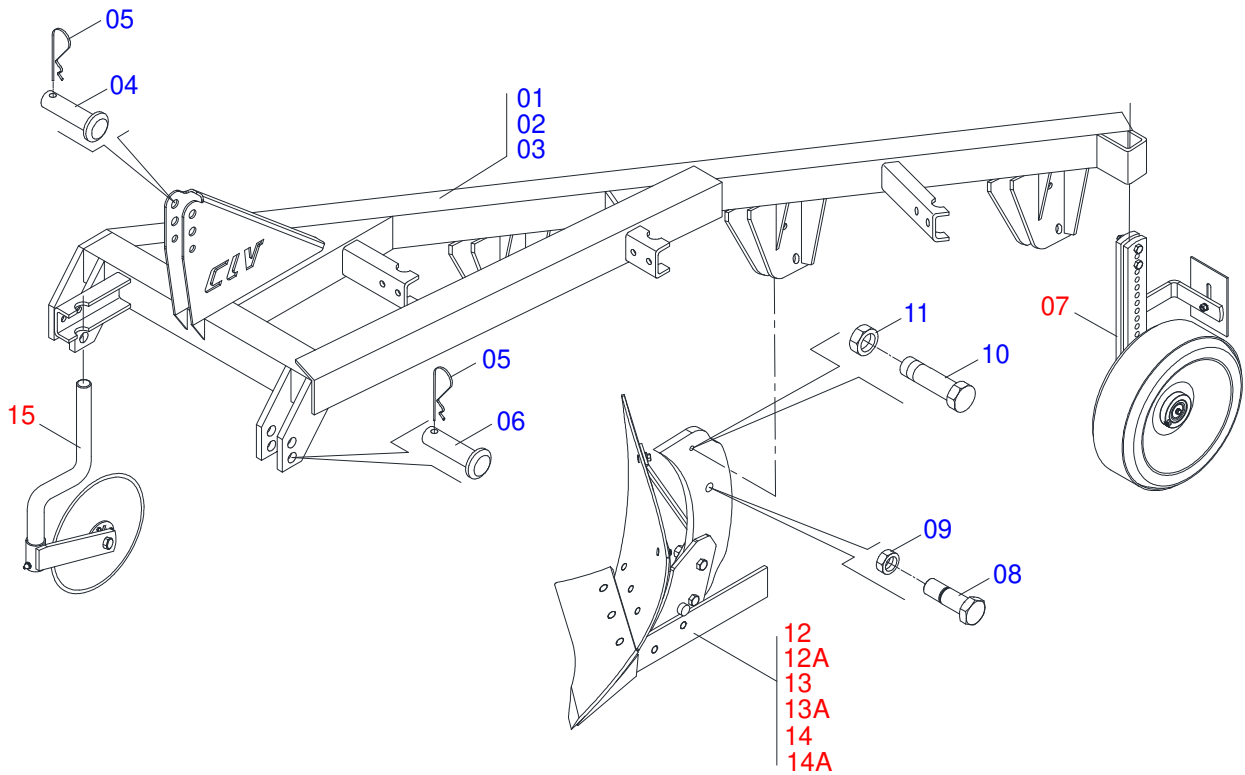
ATTENTION: IMPORTANT

Civemasa reserves the right to improve and / or modify the technical features of its products, without obligation to do the same with those products already sold and without prior knowledge of the dealer or the consumer.

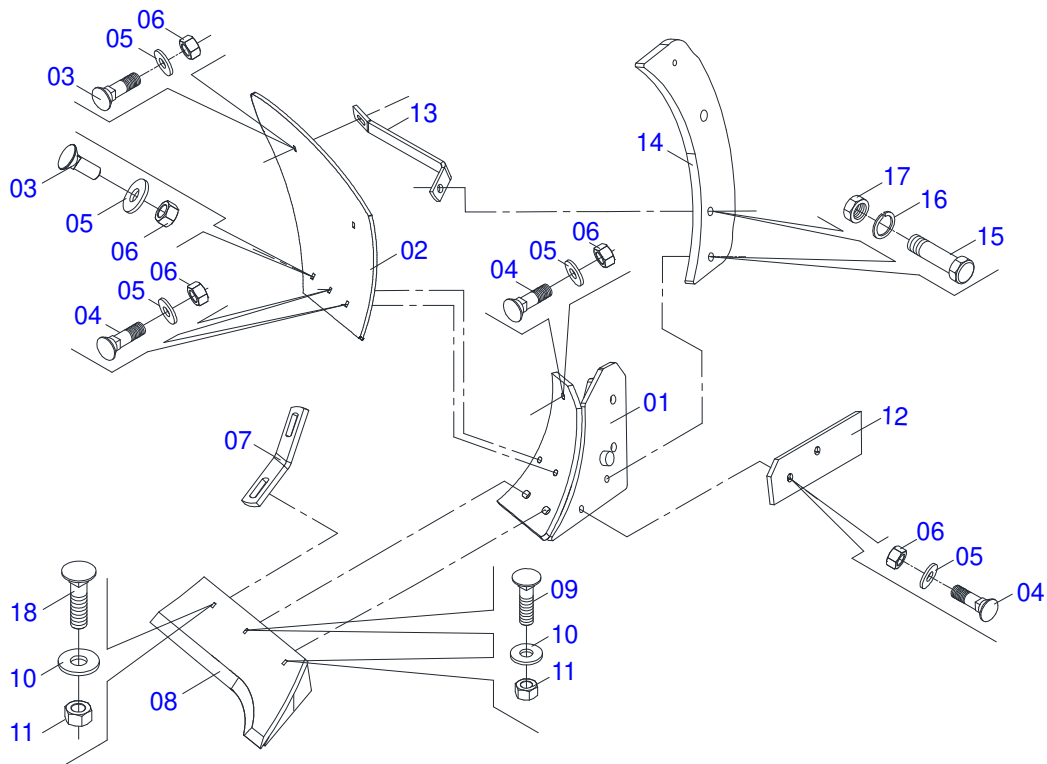


INDEX

0909093810	ASSY FRAME	1
0501044474	FRONT FLAT MOLDBOARD ASSY	2
0501044475	REAR FLAT MOLDBOARD ASSY	3
0501046317	REAR FLAT MOLDBOARD ASSY	4
0501046316	FRONT FLAT MOLDBOARD ASSY	5
0501044473	REAR NOTCHED MOLDBOARD ASSY	6
0501044472	FRONT NOTCHED MOLDBOARD ASSY	7
0501043442	BLADE DISC ASSY	8
0501042396	DEPTH WHEEL ASSY	9

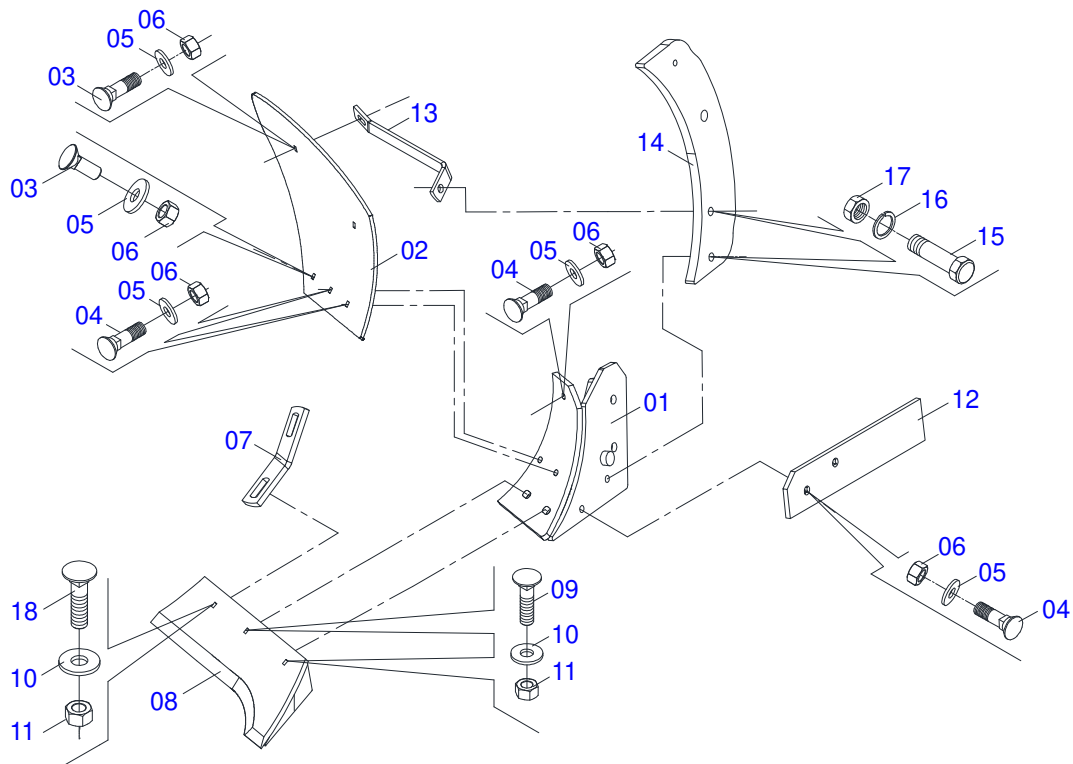


Item	Code	Description	See page	02	03	04
01	0501066151	FRAME		01	00	00
02	0501066152	FRAME		00	01	00
03	0501066153	FRAME		00	00	01
04	0521010580	COUPLING SHAFT		01	01	01
05	0503031035	HAIR PIN		03	03	03
06	0521010596	COUPLING SHAFT		02	02	02
07	0501042396	DEPTH WHEEL ASSY	9	01	01	01
08	0551011551	FORK FIXER		02	03	04
09	0503014182	SELF-ADJUSTING NUT		02	03	04
10	0503010752	1/2" X 3.1/2" BOLT		02	03	04
11	0503010060	1/2" NUT		02	03	04
12	0501046316	FRONT FLAT MOLDBOARD ASSY	5	02	03	04
12A	0501046317	REAR FLAT MOLDBOARD ASSY	4	02	03	04
13	0501044474	FRONT FLAT MOLDBOARD ASSY	2	02	03	04
13A	0501044475	REAR FLAT MOLDBOARD ASSY	3	02	03	04
14	0501044473	REAR NOTCHED MOLDBOARD ASSY	6	02	03	04
14A	0501044472	FRONT NOTCHED MOLDBOARD ASSY	7	02	03	04
15	0501043442	BLADE DISC ASSY	8	02	03	04

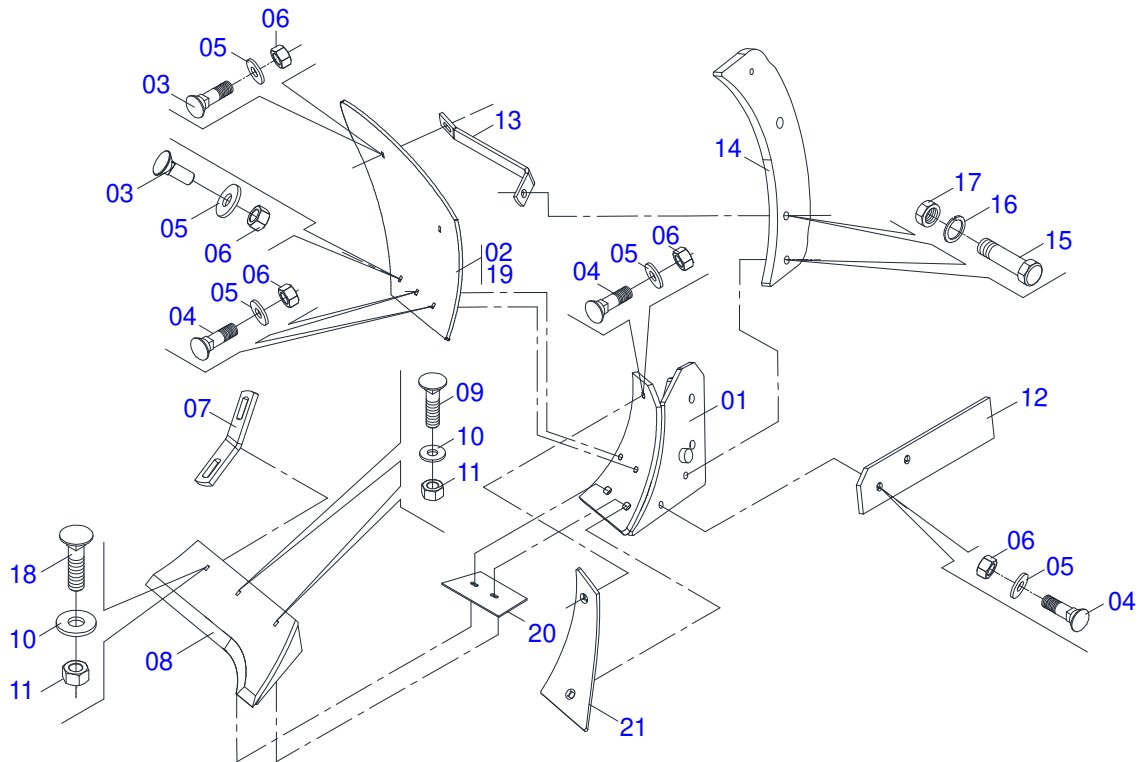


Item	Code	Description	See page	QT
01	0511067684	SUPPORT MOLDBOARD	01	
02	0629010006	WING MOLDBOARD	01	
03	0503011426	7/16" X 1-1/4" BOLT	02	
04	0503011199	7/16" X 1-1/2" BOLT	05	
05	0501012803	FLAT WASHER	07	
06	0503010244	7/16" NUT	07	
07	0511014101	125 X 32 X 6,30 FIXER	01	
08	0629013501	SHEAR POINT	01	
09	0503014193	1/2" BSW X 2" BOLT	02	
10	0511017302	FLAT WASHER	03	
11	0503012682	1/2" BSW NUT	03	
12	0622380014	POINT	01	
13	0511013715	17" ATTACHMENT BAR	01	
14	0521010381	ARM AAH	01	
15	0503010901	3/4UNC 3.1/2 BOLT	02	
16	0503011442	3/4" SPRING WASHER	02	
17	0503010014	3/4" NUT	02	
18	0503012956	1/2" X 1-1/2" BOLT	01	

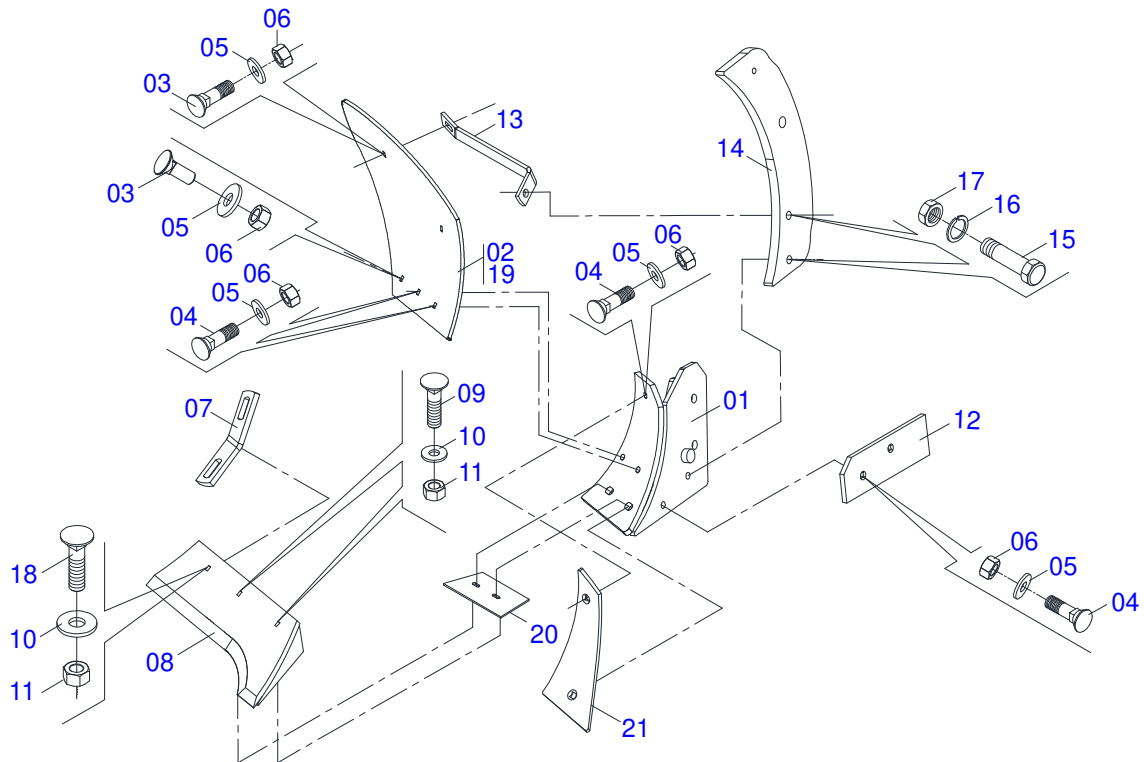
REAR FLAT MOLDBOARD ASSY



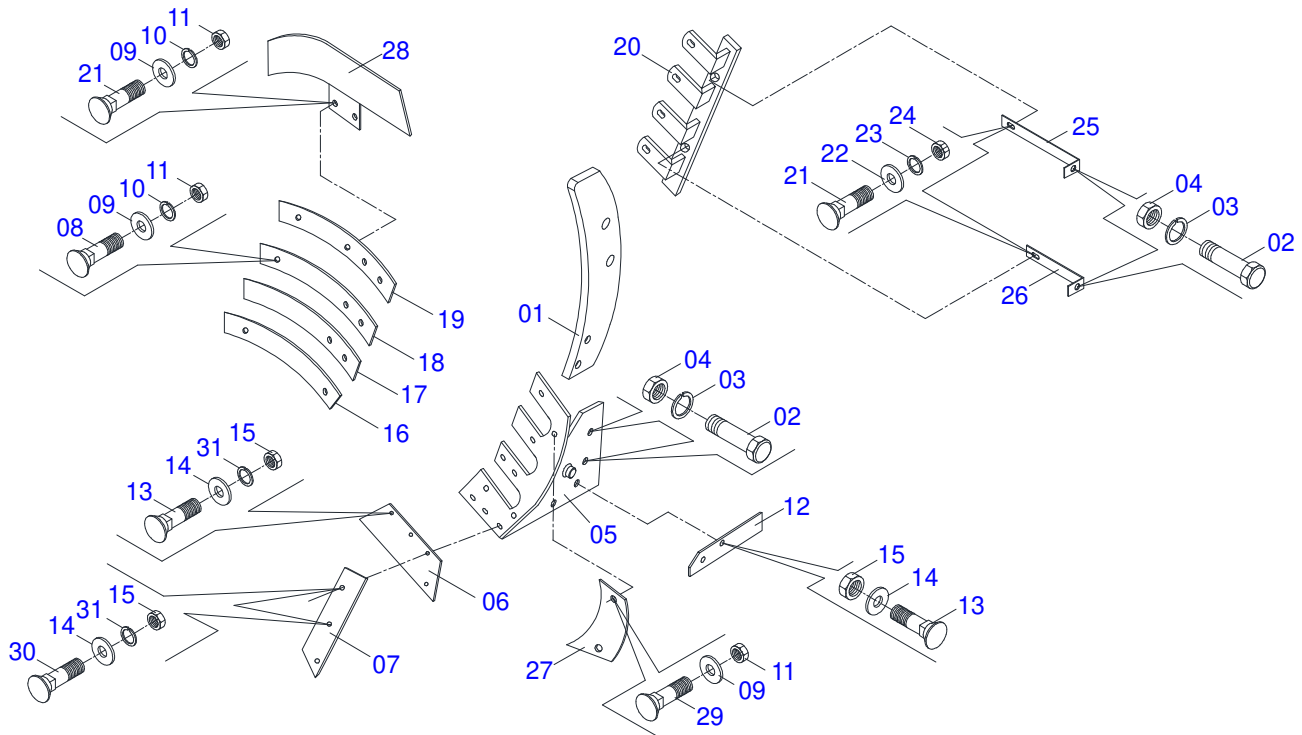
Item	Code	Description	See page	QT
01	0511067684	SUPPORT MOLDBOARD		01
02	0629010006	WING MOLDBOARD		01
03	0503011426	7/16" X 1-1/4" BOLT		02
04	0503011199	7/16" X 1-1/2" BOLT		05
05	0501012803	FLAT WASHER		07
06	0503010244	7/16" NUT		07
07	0511014101	125 X 32 X 6,30 FIXER		01
08	0629013501	SHEAR POINT		01
09	0503014193	1/2" BSW X 2" BOLT		02
10	0511017302	FLAT WASHER		03
11	0503012682	1/2" BSW NUT		03
12	0622380014	POINT		01
13	0511013715	17" ATTACHMENT BAR		01
14	0521010381	ARM AAH		01
15	0503010901	3/4UNC 3.1/2 BOLT		02
16	0503011442	3/4" SPRING WASHER		02
17	0503010014	3/4" NUT		02
18	0503012956	1/2" X 1-1/2" BOLT		01



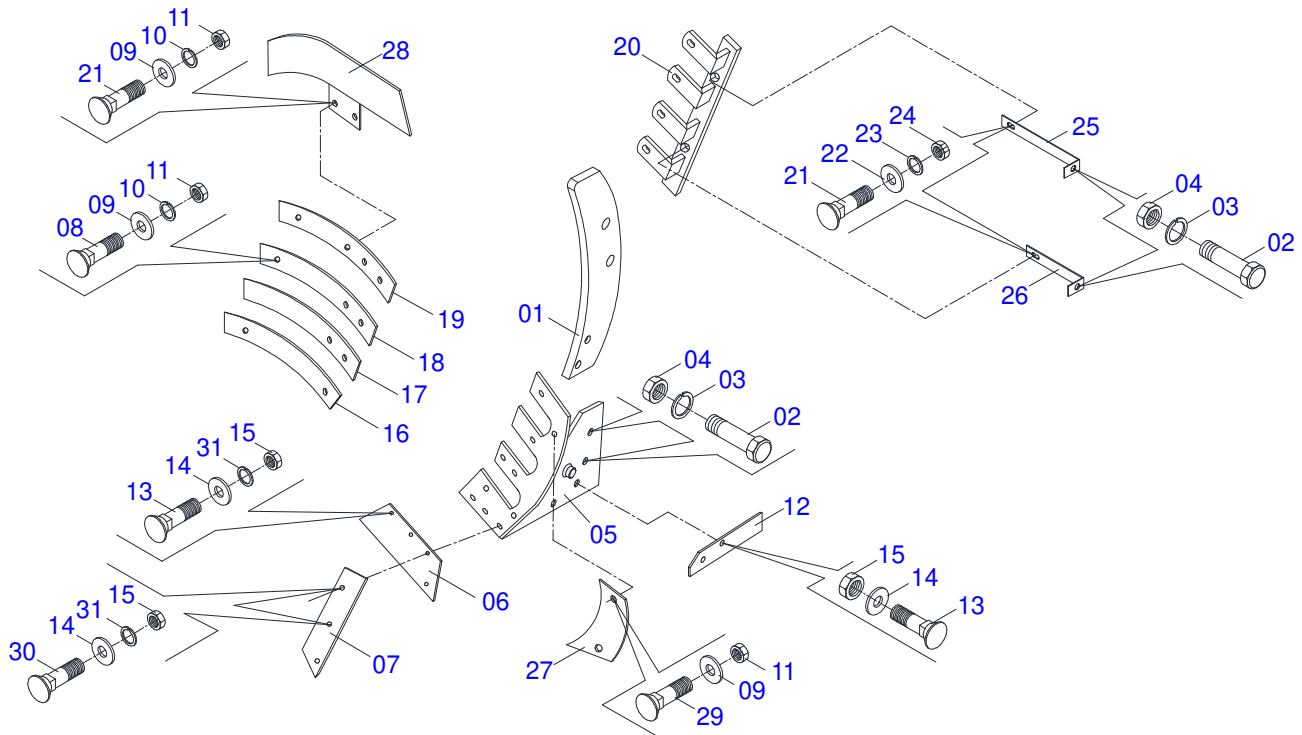
Item	Code	Description	See page	QT
01	0511067684	SUPPORT MOLDBOARD		01
02	0629010008	WING MOLDBOARD		01
03	0503011426	7/16" X 1-1/4" BOLT		02
04	0503011199	7/16" X 1-1/2" BOLT		05
05	0501012803	FLAT WASHER		07
06	0503010244	7/16" NUT		07
07	0511014101	125 X 32 X 6,30 FIXER		01
08	0629013501	SHEAR POINT		01
09	0503014193	1/2" BSW X 2" BOLT		02
10	0511017302	FLAT WASHER		03
11	0503012682	1/2" BSW NUT		03
12	0622380014	POINT		01
13	0511013715	17" ATTACHMENT BAR		01
14	0521010381	ARM AAH		01
15	0503010901	3/4UNC 3.1/2 BOLT		02
16	0503011442	3/4" SPRING WASHER		02
17	0503010014	3/4" NUT		02
18	0503012956	1/2" X 1-1/2" BOLT		01
19	0511015828	PLASTIC LINING		01
20	0511015831	CHOCK SHEAR POINT		01
21	0629012004	WING COMPLEMENT		01



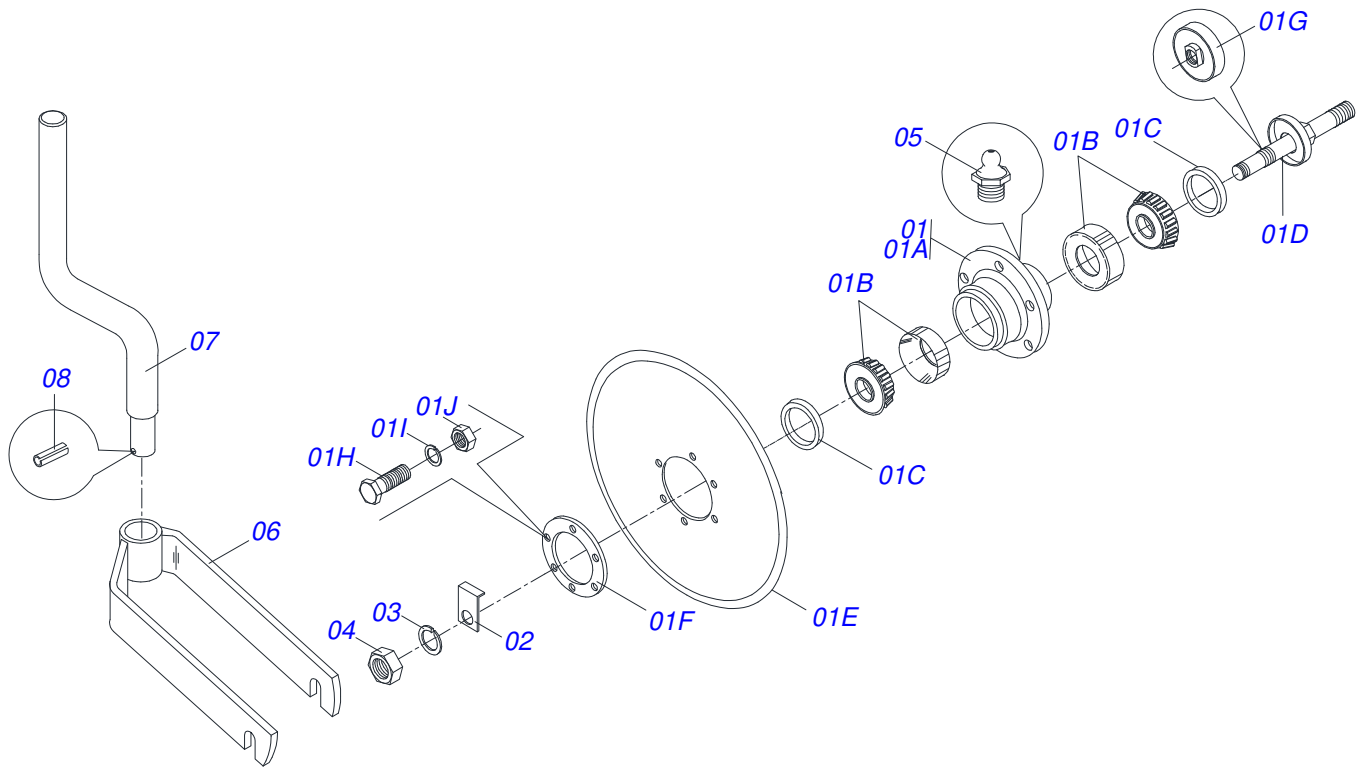
Item	Code	Description	See page	QT
01	0511067684	SUPPORT MOLDBOARD		01
02	0629010008	WING MOLDBOARD		01
03	0503011426	7/16" X 1-1/4" BOLT		02
04	0503011199	7/16" X 1-1/2" BOLT		05
05	0501012803	FLAT WASHER		07
06	0503010244	7/16" NUT		07
07	0511014101	125 X 32 X 6,30 FIXER		01
08	0629013501	SHEAR POINT		01
09	0503014193	1/2" BSW X 2" BOLT		02
10	0511017302	FLAT WASHER		03
11	0503012682	1/2" BSW NUT		03
12	0629011016	POINT		01
13	0511013715	17" ATTACHMENT BAR		01
14	0521010381	ARM AAH		01
15	0503010901	3/4UNC 3.1/2 BOLT		02
16	0503011442	3/4" SPRING WASHER		02
17	0503010014	3/4" NUT		02
18	0503012956	1/2" X 1-1/2" BOLT		01
19	0511015828	PLASTIC LINING		01
20	0511015831	CHOCK SHEAR POINT		01
21	0629012004	WING COMPLEMENT		01



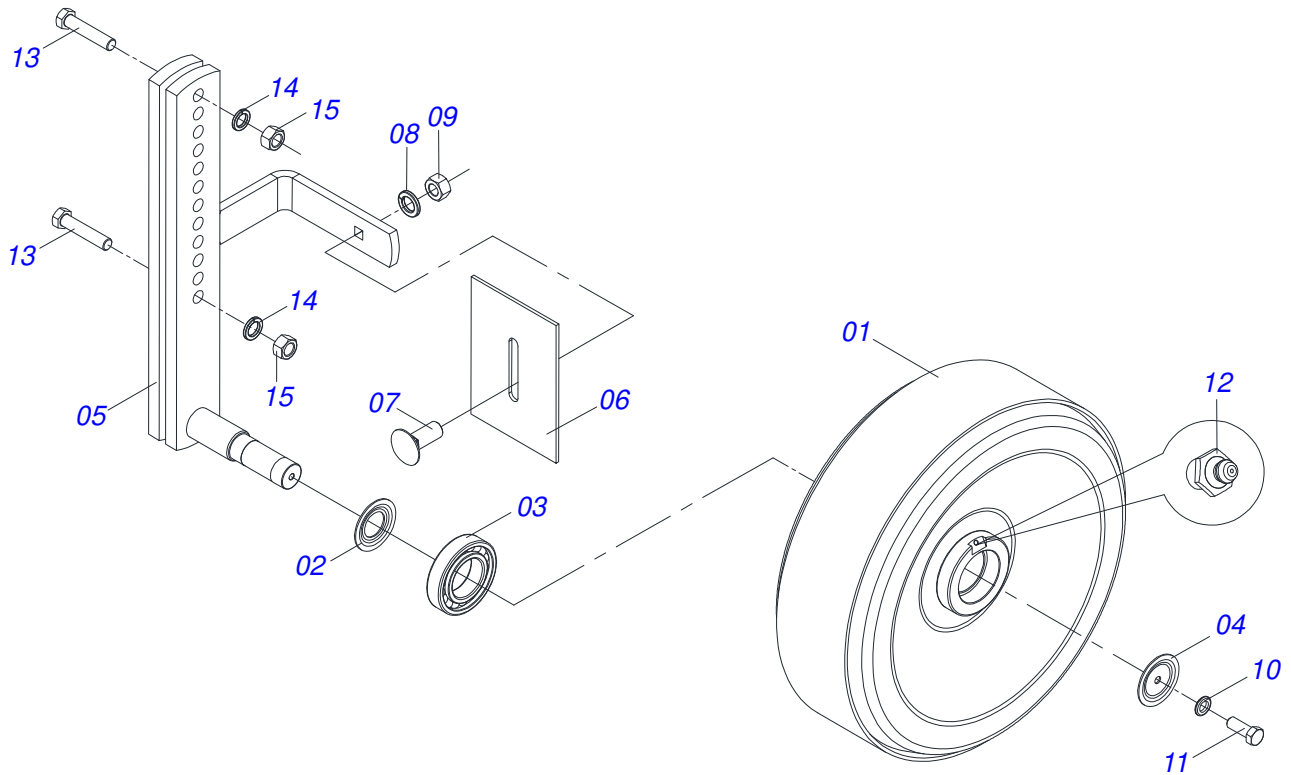
Item	Code	Description	See page	QT
01	0521010381	ARM AAH		01
02	0503810901	SCREW 3/4 UNC X 3.1/2 C S G.5		02
03	0503011442	3/4" SPRING WASHER		02
04	0503010014	3/4" NUT		02
05	0501066154	SUPPORT		01
06	0501069046	SHEAR POINT		01
07	0629013502	SHEAR POINT		01
08	0503811199	BOLT		13
09	0501012803	FLAT WASHER		15
10	0503011446	SPRING WASHER		11
11	0503010244	7/16" NUT		15
12	0622380010	SHEAR POINT		01
13	0503814193	BOLT		03
14	0511017302	FLAT WASHER		06
15	0503012682	1/2" BSW NUT		06
16	0501016997	N-4 FLIP (AAP)		01
17	0501016996	N-3 FLIP (AAP)		01
18	0501016995	N-2 FLIP (AAP)		01
19	0501016994	N-1 FLIP (AAP)		01
20	0501066150	SPACER FEATHERS		01
21	0503811426	BOLT		02
22	0501012803	FLAT WASHER		02
23	0503011446	SPRING WASHER		02
24	0503010244	7/16" NUT		02
25	0511013102	LARGER ATTACHMENT BAR		01
26	0511013103	SMALLER ATTACHMENT BAR		01
27	0629012003	MOLDBOARD WING COMPLEMENT		01
28	0501066427	FLIP ASSY		01
29	0503810773	BOLT		02
30	0503014194	BOLT		02
31	0503011440	SPRING WASHER		04



Item	Code	Description	See page	QT
01	0521010381	ARM AAH		01
02	0503810901	SCREW 3/4 UNC X 3.1/2 C S G.5		02
03	0503011442	3/4" SPRING WASHER		02
04	0503010014	3/4" NUT		02
05	0501066154	SUPPORT		01
06	0501069046	SHEAR POINT		01
07	0629013502	SHEAR POINT		01
08	0503811199	BOLT		13
09	0501012803	FLAT WASHER		15
10	0503011446	SPRING WASHER		11
11	0503010244	7/16" NUT		15
12	0622380011	15" X 3.1/2" X 1/2" SHEAR POINT		01
13	0503814193	BOLT		02
14	0511017302	FLAT WASHER		06
15	0503812682	NUT (BSW)		06
16	0501016997	N-4 FLIP (AAP)		01
17	0501016996	N-3 FLIP (AAP)		01
18	0501016995	N-2 FLIP (AAP)		01
19	0501016994	N-1 FLIP (AAP)		01
20	0501066150	SPACER FEATHERS		01
21	0503811426	BOLT		02
22	0501012803	FLAT WASHER		02
23	0503011446	SPRING WASHER		02
24	0503010244	7/16" NUT		02
25	0511013102	LARGER ATTACHMENT BAR		01
26	0511013103	SMALLER ATTACHMENT BAR		01
27	0629012003	MOLDBOARD WING COMPLEMENT		01
28	0501066427	FLIP ASSY		01
29	0503810773	BOLT		02
30	0503014194	BOLT		02
31	0503011440	SPRING WASHER		04



Item	Code	Description	See page	QT
01	0501051172	16" SHOT BLADE DISC		01
01A	0502011279	DISC HUB		01
01B	0503010215	30205 BEARING		02
01C	0503010213	SEAL 30205		02
01D	0501068216	DUST CLOAK 3/4" DC AXLE		01
01E	0603023009	16" X 0.2" FLAT PLAIN DISC		01
01F	0501013839	WASHER		01
01G	0501068582	7/8" UNF WITH DUST CLOAK NUT		01
01H	0503810365	BOLT		06
01I	0503011444	SPRING WASHER		06
01J	0503010337	5/16" NUT		06
02	0511018481	BLADE DISC 3/4" AXLE LOCK		02
03	0503011442	3/4" SPRING WASHER		02
04	0503810014	3/4" NUT		02
05	0503010691	1/4" GREASE FITTING		01
06	0501068186	BLADE DISC SUPPORT		01
07	0501017348	DISC BLADE SUPPORT		01
08	0503010361	SPRING PIN		01



Item	Code	Description	See page	QT
01	0501063799	WHEEL	01	
02	0501017454	2.8" X 1.4" X 0.75" DUST CLOAK	02	
03	0503010816	6207 RS ROLLER BEARING	01	
04	0501017455	2.8" X 0.4" X 0.75" DUST CLOAK	01	
05	0501066364	DEPTH WHEEL ARM	01	
06	0501013138	SCRAPER	01	
07	0501011600	1/2" X 1-1/4" BOLT	01	
08	0503011440	SPRING WASHER	01	
09	0503812682	NUT (BSW)	01	
10	0503011443	3/8" SPRING WASHER	01	
11	0503010237	3/8" X 1" BOLT	01	
12	0503010002	1800 GREASE FITTING	01	
13	0501011541	5/8" X 3" BOLT	02	
14	0503010027	5/8" SPRING WASHER	02	
15	0503010013	5/8" NUT	02	



civemasa

Technical Publications | Elaboration and Revision

LUIZ CANDIDO

www.civemasa.com.br

