

# PARTS CATALOGUE

## DISK PLOW

**Code:**

0501092112

**Product:**

ARCA 4 - 28/30D



**Series:**

S-0616

**Revision:**

00

**Revision Date:**


FEVEREIRO/2021

# PRODUCTS

<b>Code</b>	<b>Description</b>	
0120620006	ARCA 4 X 28 X 6,00 PR	S-0616
0120620009	ARCA 4 X 30 X 7,50 PR	S-0616

## **ATTENTION: IMPORTANT**

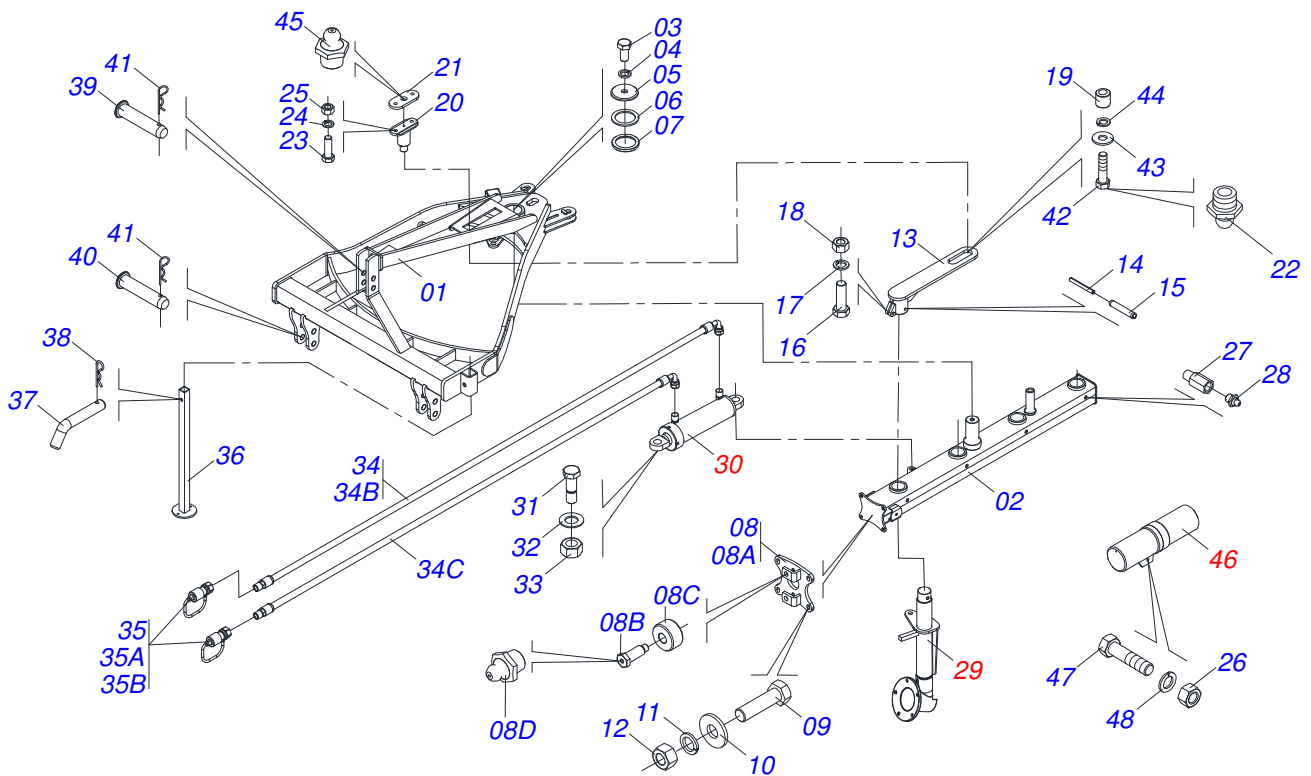
Civemasa reserves the right to improve and / or modify the technical features of its products, without obligation to do the same with those products already sold and without prior knowledge of the dealer or the consumer.





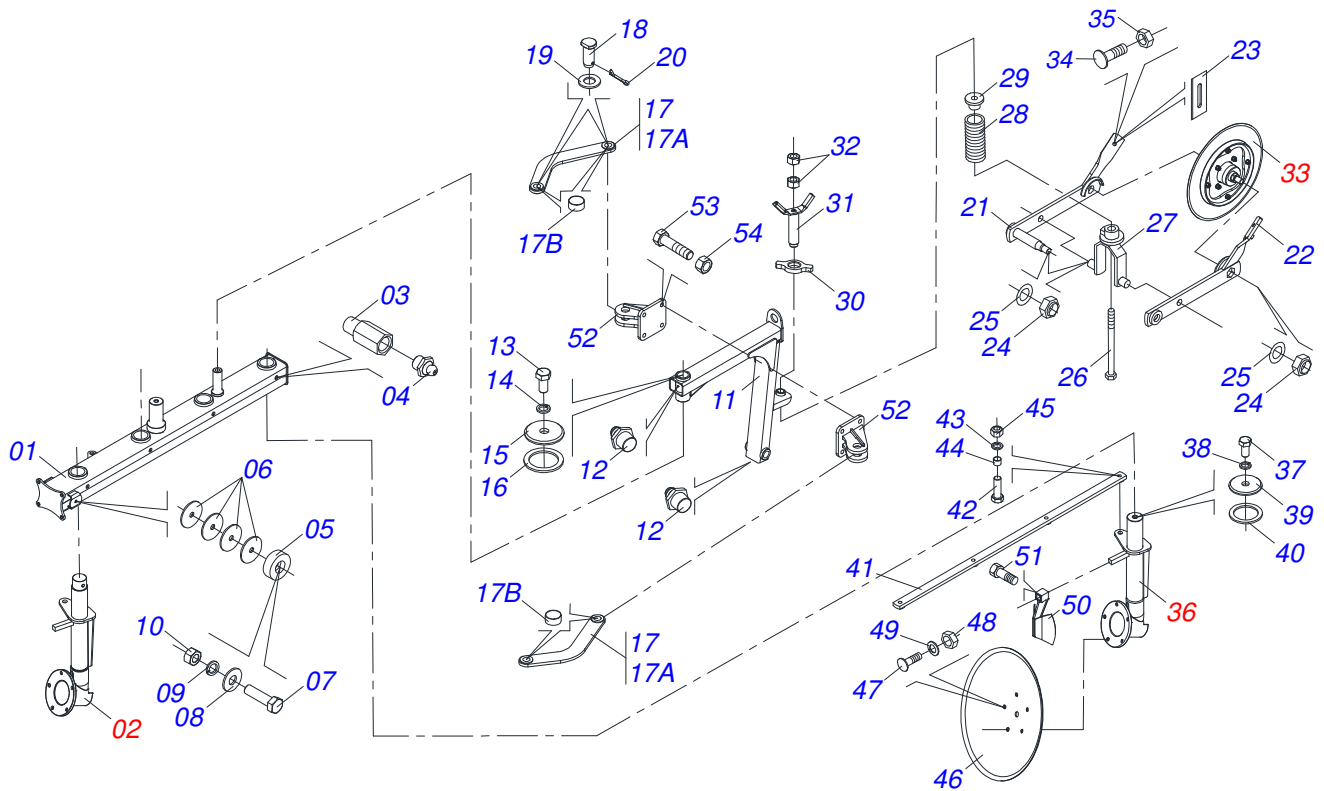
# INDEX

0909093723	ASSY FRAME	.....	1
0909092077	REVERSIBLE - 28/30 DIAMETER	.....	2
0501043464	1.5" X 2.5" X 13" X 5.7" HYDRAULIC CYLINDER	.....	3
0501043789	FURROW WHEEL ASSY	.....	4
0521045524	INNER PLOUGH SUPPORT BODY	.....	5
0521045522	INNER PLOUGH SUPPORT BODY	.....	6



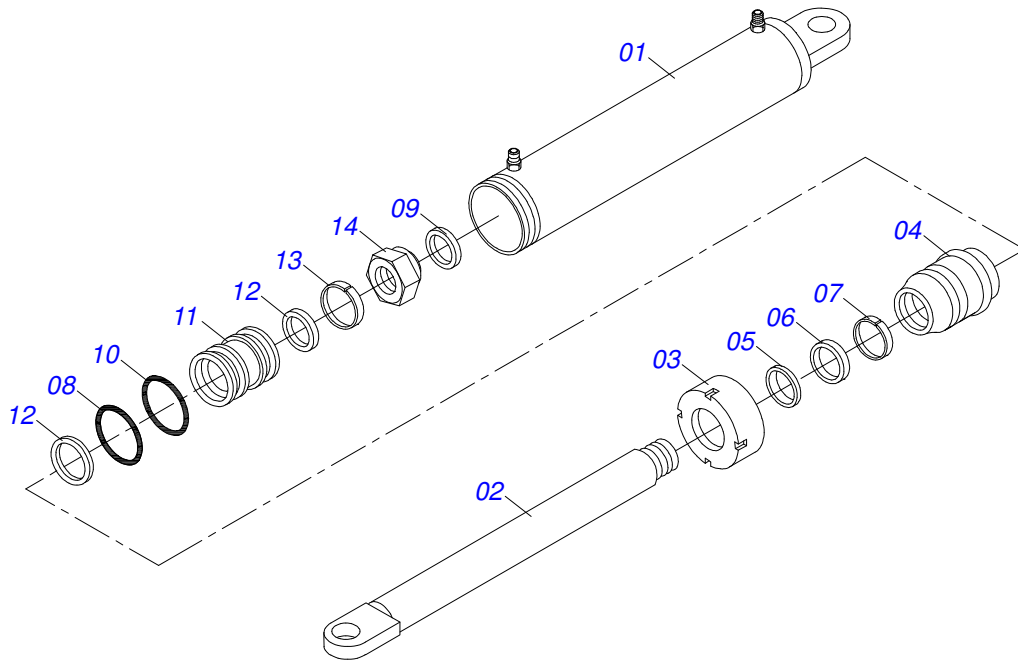
Item	Code	Description	See page	QT
01	0521067500	DRAWBAR	01	01
02	0521067299	FRAME	01	01
03	0503010953	1" X 2" BOLT	03	03
04	0503011438	SPRING WASHER	03	03
05	0581012832	FLAT WASHER	03	03
06	0581012816	FLAT WASHER	03	03
07	0581012823	FLAT WASHER	01	01
08	0521045525	PULLEY	01	01
08A	0521067296	CARRYING-WHEELS SUPPORT	01	01
08B	0501016208	AXLE PULLEY	02	02
08C	0501010721	PULLEY	02	02
08D	0503010002	1800 GREASE FITTING	02	02
09	0503010899	5/8" X 2-1/4" BOLT	04	04
10	0501012140	FLAT WASHER	04	04
11	0503011445	SPRING WASHER	04	04
12	0503010013	5/8" NUT	04	04
13	0521067298	SHAFT	01	01
14	0503010928	0.4" X 4" SPRING PIN	01	01
15	0503010927	0.6" X 3.9" SPRING PIN	01	01
16	0503010233	5/8" X 2-1/2" BOLT	01	01
17	0503011445	SPRING WASHER	01	01
18	0503010013	5/8" NUT	01	01
19	0552016504	LUVA 38,40X51,04X42,50	01	01
20	0501061106	REGULATOR SPEED	01	01
21	0501010717	FIXER REGULATOR SPEED	01	01
22	0503010002	1800 GREASE FITTING	02	02
23	0501010100	SCREW 5/8 UNC X 2 CS G.5 ZN	02	02
24	0503011445	SPRING WASHER	02	02
25	0503010013	5/8" NUT	02	02
26	0503010337	5/16" NUT	01	01
27	0571016805	EXTENSION	03	03

<b>Item</b>	<b>Code</b>	<b>Description</b>	<b>See page</b>	<b>QT</b>
28	0503010002	1800 GREASE FITTING		03
29	0521045524	INNER PLOUGH SUPPORT BODY	5	01
30	0501043464	1.5" X 2.5" X 13" X 5.7" HYDRAULIC CYLINDER	3	01
31	0581013463	SPRING AXLE FICACCION		02
32	0581012826	FLAT WASHER		02
33	0503014182	SELF-ADJUSTING NUT		02
34	0521050181	HOSE ASSY		01
34A	0503033158	PLASTIC BAG		01
34B	0501080816	HOSE		01
34C	0501080652	3/8" X 78" TC-TM HOSE ASSY		01
35	0501053834	MALE QUICK COUPLER WITH CAP - 1/2 NPT		02
35A	0503011627	MALE QUICK COUPLER AGR 1/2 NPT		01
35B	0503011882	MALE QUICK COUPLER CAP		01
36	0521067297	REPOS		02
37	0501011075	PIN		02
38	0503030012	HAIR PIN		02
39	0521810578	COUPLING SHAFT		01
40	0521010596	COUPLING SHAFT		02
41	0503031035	HAIR PIN		03
42	0551019425	3/4" X 1-1/2" BOLT		01
43	0501010322	FLAT WASHER		01
44	0503010023	3/4" SPRING WASHER		01
45	0503010002	1800 GREASE FITTING		01
46	0503060100	OPERATOR'S MANUAL STORAGE TUBE		01
47	0503010371	5/16" X 1" BOLT		01
48	0503010179	5/16" ZN SPRING WASHER		01



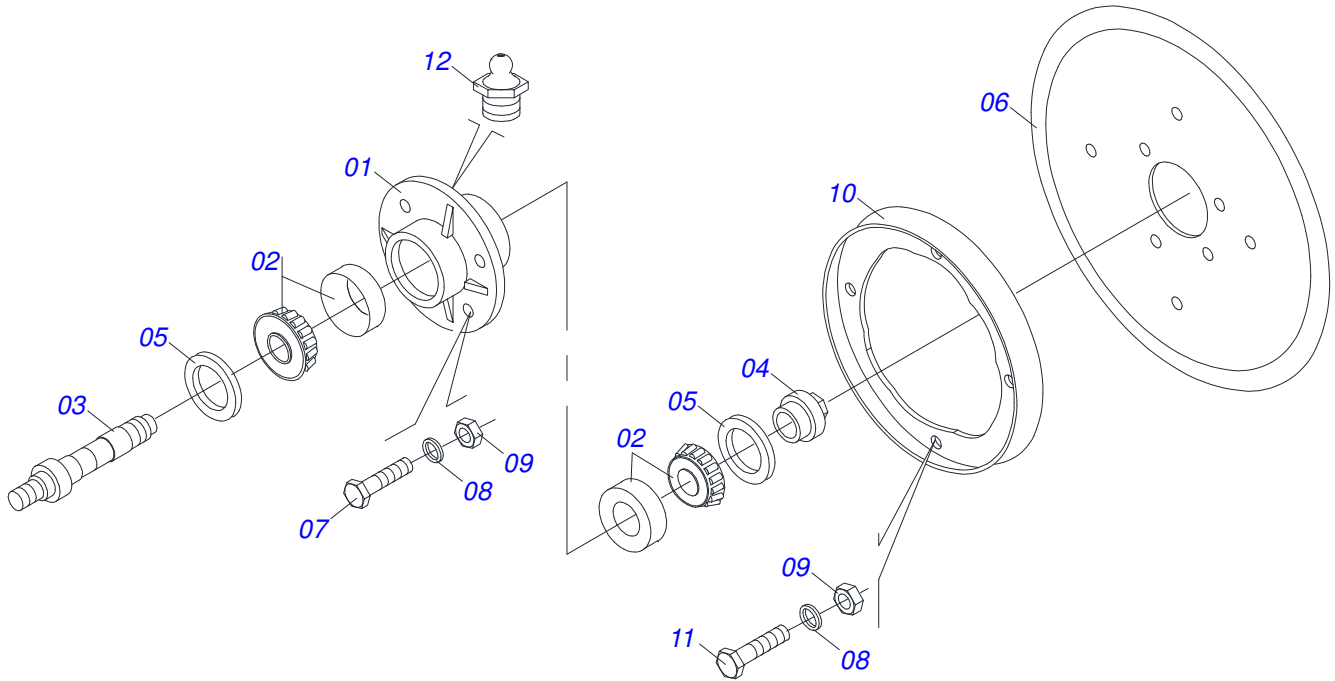
Item	Code	Description	See page	28	30
01	0521067299	FRAME		01	01
02	0521045524	INNER PLOUGH SUPPORT BODY	5	01	01
03	0571016805	EXTENSION		03	03
04	0503010002	1800 GREASE FITTING		03	03
05	0521011481	FRAME BATTERY		02	02
06	0571013284	17.5 X 90 X 4.75 FLAT WASHER		08	08
07	0503010899	5/8" X 2-1/4" BOLT		02	02
08	0571010265	16.5 X 40 X 3 FLAT WASHER		02	02
09	0503010027	5/8" SPRING WASHER		02	02
10	0503010013	5/8" NUT		02	02
11	0521067302	WHEELS SUPPORT		01	01
12	0503010002	1800 GREASE FITTING		02	02
13	0503010953	1" X 2" BOLT		01	01
14	0503011438	SPRING WASHER		01	01
15	0581012835	FLAT WASHER		01	01
16	0581012836	FLAT WASHER		01	01
17	0501110816	DRAWBAR SUPPORT		02	02
17A	0521067499	DRAWBAR SUPPORT		02	02
17B	0511019920	LUVA 32,7 X 38,8 X 25,40		02	02
18	0581012844	AXLE		04	04
19	0501017779	32 X 60 X 4.75 FLAT WASHER		04	04
20	0503010571	1/4" X 1.1/2 COTTERPIN		04	04
21	0501065203	RIGHT ARM FURROW WHEEL		01	01
22	0501065202	LEFT ARM FURROW WHEEL		01	01
23	0511010353	DISC SCRAPER		02	02
24	0503010063	1" SELF-ALIGNING NUT		05	05
25	0511015994	FLAT WASHER		05	05
26	0501060108	5/8" X 5/8" X 16.9" STUD		01	01
27	0501063497	FORK SPRING		01	01
28	0503030441	12.7" X 5.7" X 0.5" SPRING		01	01
29	0502040302	SPRING SUPPORT		01	01

Item	Code	Description	See page	28	30
30	0541818672	LOCKNUT		01	01
31	0501060107	REGULATOR BOLT		01	01
32	0503010013	5/8" NUT		02	02
33	0501043789	FURROW WHEEL ASSY	4	01	01
34	0501011600	1/2" X 1-1/4" BOLT		02	02
35	0503012682	1/2" BSW NUT		02	02
36	0521045522	INNER PLOUGH SUPPORT BODY	6	03	03
37	0503010953	1" X 2" BOLT		03	03
38	0503011438	SPRING WASHER		03	03
39	0581012832	FLAT WASHER		03	03
40	0581012816	FLAT WASHER		03	03
41	0521066558	BARRE		01	01
42	0501010125	3/4" X 2-1/2" BOLT		04	04
43	0501010322	FLAT WASHER		04	04
44	0581012830	BUSHING		04	04
45	0503011075	3/4" UNC NUT		04	04
46	0601039002	28" X 0.2" PLAIN DISC BLADE		04	00
46.	0601042003	30"X 0.3" PLAIN DISC BLADE		00	04
47	0503012956	1/2" X 1-1/2" BOLT		20	20
48	0503012682	1/2" BSW NUT		20	20
49	0503010019	1/2" SPRING WASHER		20	20
50	0501063495	DISC SCRAPER		04	04
51	0501010161	1/2" X 1.1/4" BOLT		04	04
52	0521067732	FIXER SUPPORT		02	02
53	0501013867	BOLT 5/8 UNC X 6 CS G.5 ZN		04	04
54	0503013389	5/8" SELF LOCKING NUT		04	04

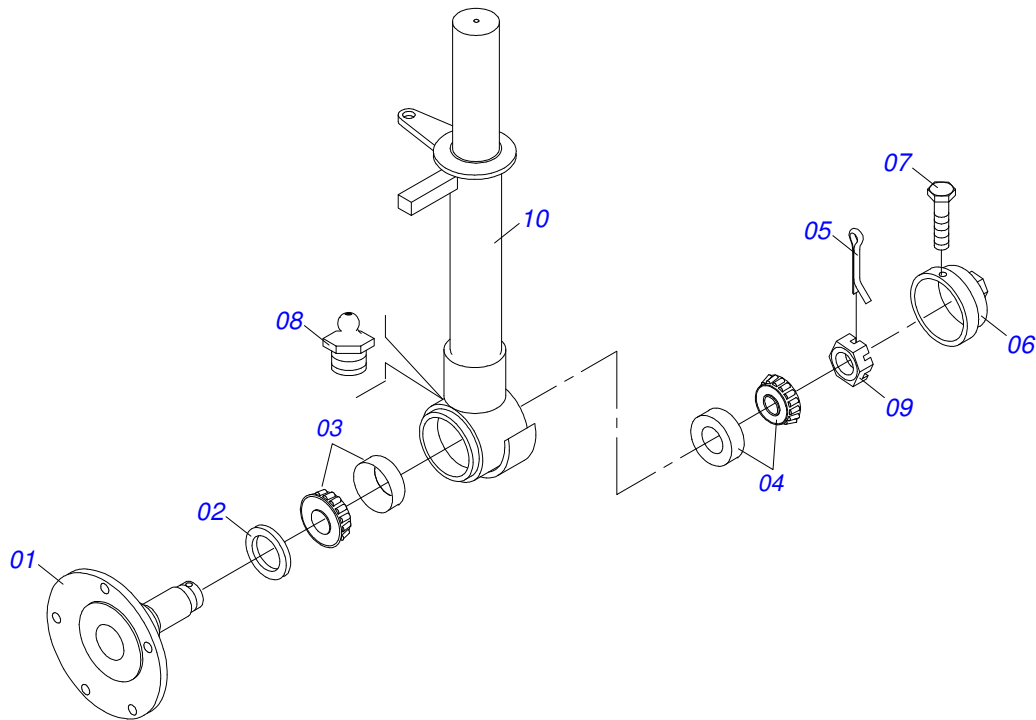


Item	Code	Description	See page	QT
01	0501065175	2.5" X 11.5" CYLINDER CASE		01
02	0501069826	HYDRAULIC CYLINDER TURNBUCKLE		01
03	0502010471	MOBILE COVER		01
04	0502010780	RING SUPPORT		01
05	0503010163	D-1500 SCRAPER RING		01
06	0503010989	1870-1500-375-B GASKET		01
07	0503010970	W1-1650-500 PK O'RING G.E		01
08	0503011058	8-330 BACK-UP RING		01
09	0503010161	2-330 N 3006 9B O'RING		01
10	0503010285	2-222 N 3006-9B O'RING		01
11	0502010783	1.5" X 2.5" PISTON		01
12	0503010160	2500 2000 GASKET		02
13	0503010973	W2-2500-500 PK O'RING G.E		01
14	0503010063	1" SELF-ALIGNING NUT		01
15	0501032666	HYDRAULIC CYLINDER REPAIR KIT		01

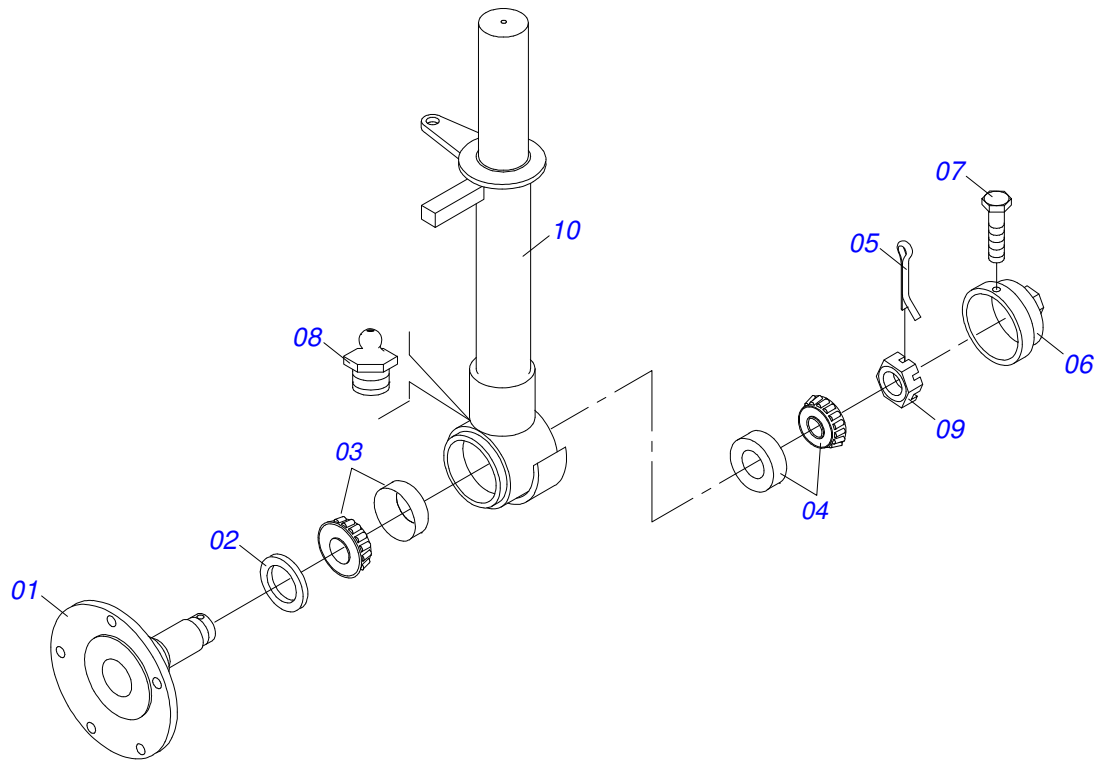




Item	Code	Description	See page	QT
01	0502020601	FURROW WHEEL HUB		01
02	0503010745	BEARING 25877/25821		02
03	0511010396	HUB AXLE		01
04	0502040587	ADJUSTMENT NUT		01
05	0503010279	SEAL		02
06	0603027058	20"X 0.2" FLAT PLAIN DISC		01
07	0501010063	1/2" X 1-1/2" BOLT		08
08	0503010019	1/2" SPRING WASHER		08
09	0503010060	1/2" NUT		04
10	0502020028	FURROW WHEEL FLANGE		02
11	0503010238	BOLT 1/2 UNC X 1.3/4 CS G.2 ZN		04
12	0503010002	1800 GREASE FITTING		01



Item	Code	Description	See page	QT
001	0502040091	DISC DISH FOR AF		01
002	0503011866	SEAL 00573-B WITH HOLE		01
003	0503010005	32212 ROLLER BEARING		01
004	0503010006	32210 ROLLER BEARING		01
005	0503010010	1/4" X 2.1/2" COTTERPIN		01
006	0502020597	COVER		01
007	0503010358	5/16" X 5/8" BOLT		01
008	0503010002	1800 GREASE FITTING		01
009	0501010888	1.3/4" 2.5/16" CASTLE NUT		01
010	0521067287	PEDESTAL DIANT		01



Item	Code	Description	See page	QT
001	0502040091	DISC DISH FOR AF		01
002	0503011866	SEAL 00573-B WITH HOLE		01
003	0503010005	32212 ROLLER BEARING		01
004	0503010006	32210 ROLLER BEARING		01
005	0503010010	1/4" X 2.1/2" COTTERPIN		01
006	0502020597	COVER		01
007	0503010358	5/16" X 5/8" BOLT		01
008	0503010002	1800 GREASE FITTING		01
009	0501010888	1.3/4" 2.5/16" CASTLE NUT		01
010	0521067286	PEDESTAL		01





***CIVEMASA***

[www.civemasa.com.br](http://www.civemasa.com.br)



**Technical Publications | Elaboration and Revision**

LUIZ CANDIDO