

PARTS CATALOGUE

DISK PLOW

ARCM 3

Code: 0501092110



Series: S-1103

Review: JANEIRO/2018

ORIGINAL PARTS
CIVEMASA

civemasa

PRODUCTS

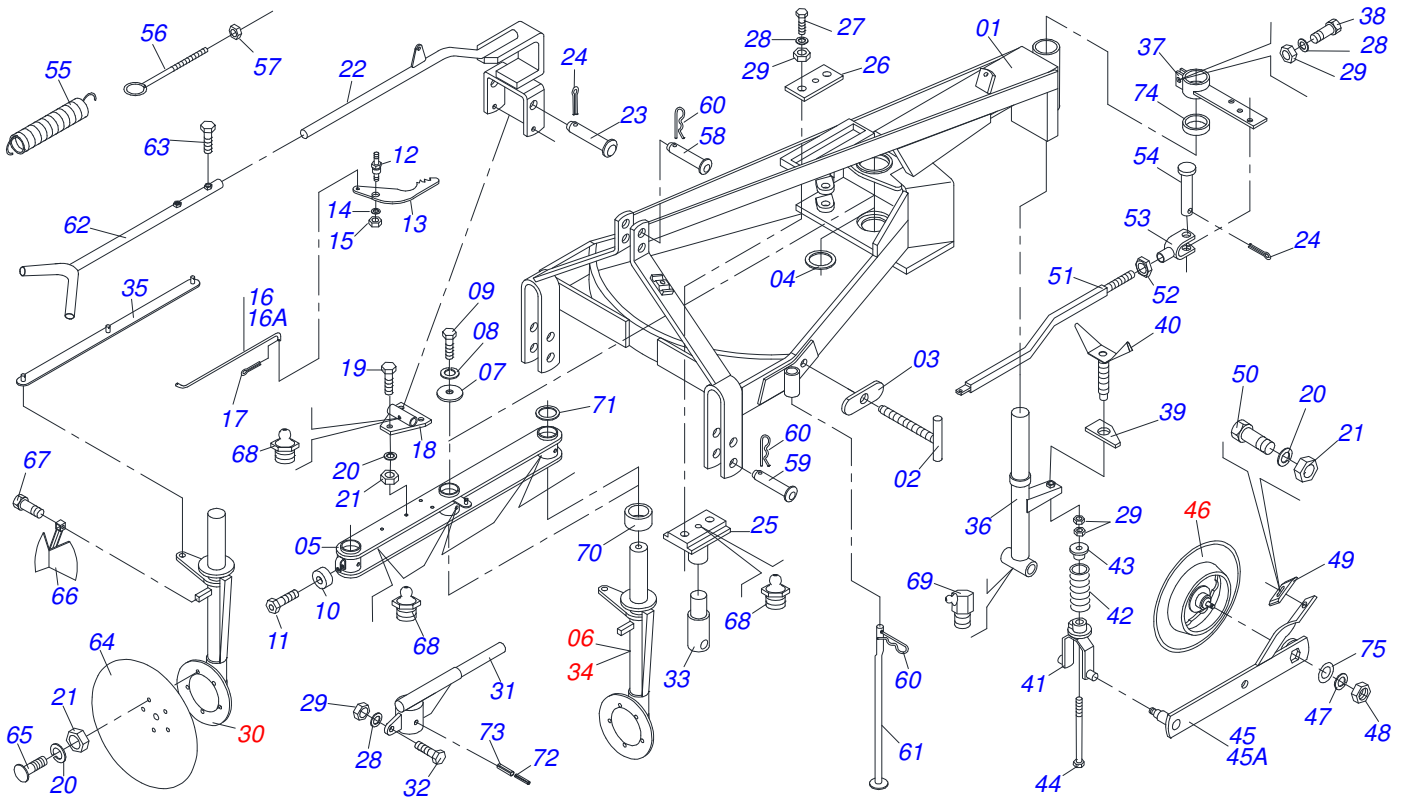
Code	Description	
0120620004	ARCM 3 X 26 X 4,75L	61380019
0120620005	ARCM 3 X 28 X 6,00L	61380029

ATTENTION: **IMPORTANT**

CIVEMASA RESERVES THE RIGHT AT ANY TIME TO MAKE IMPROVEMENTS IN THE DESIGN, MATERIAL OR SPECIFICATIONS OF MACHINERY, EQUIPMENT OR PARTS WITHOUT THEREBY BECOMING LIABLE TO MAKE SIMILAR CHANGES IN MACHINERY, EQUIPMENT OR PARTS PREVIOUSLY SOLD.

INDEX

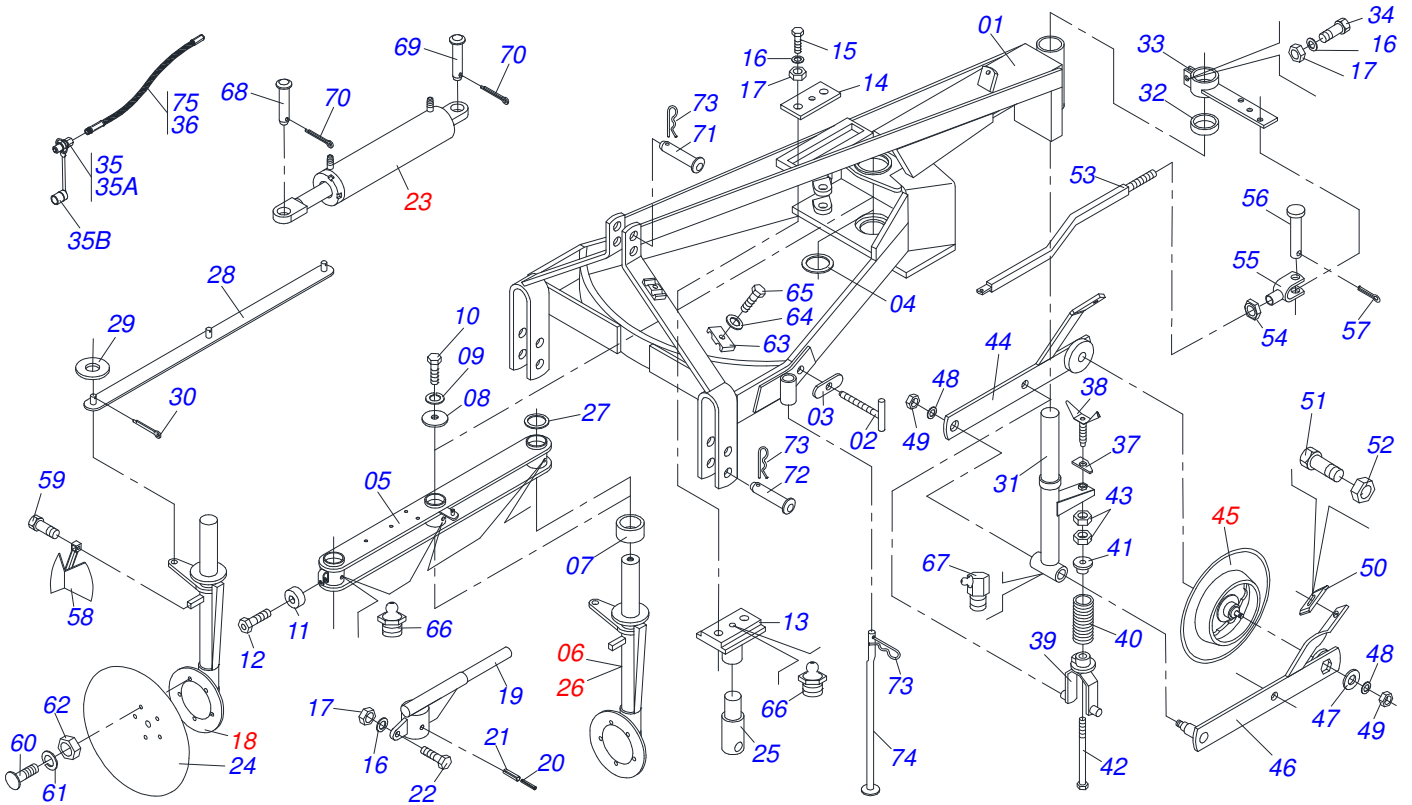
0909093695	AR (MOUNTED REVERSIBLE DISC PLOW)	1
0909093699	AR (MOUNTED REVERSIBLE DISC PLOW)	2
0501043789	FURROW WHEEL ASSY	3
0909090058	PLOUGH SUPPORT ASSY	4
0501043464	1.5" X 2.5" X 13" X 5.7" HYDRAULIC CYLINDER	5



Item	Code	Description	QT
01	0501063342	FRAME	01
02	0501061109	BOLT	02
03	0501016857	LOCK LOCKNUT	02
04	0501016206	FLAT WASHER	01
05	0501063343	REVERSIBLE FRAME TUBE	01
06	0501046490	CENTRAL PLOUGH SUPPORT	01
07	0501016854	FLAT WASHER	01
08	0503010023	SPRING WASHER	01
09	0501011544	3/4" X 1-1/2" BOLT	01
10	0501010721	PULLEY	01
11	0501016208	AXLE PULLEY	01
12	0501016209	3/4" X 3/4" X 4.3" STUD	01
13	0501016210	MOVABLE SYSTEM LOCK	02
14	0501010322	FLAT WASHER	01
15	0503010014	3/4" NUT	02
16	0501016211	LEFT LOCK ROD	01
16A	0501017345	RIGHT LOCK ROD	01
17	0503010297	5/32" X 1.1/4" COTTER PIN	04
18	0501063344	LEVER SUPPORT	01
19	0501010077	1/2" X 2" BOLT	03
20	0503010019	1/2" SPRING WASHER	20
21	0503010020	1/2"NUT	20
22	0501063345	SUPPORT CABLE LEVER	01
23	0521010588	0.9" X 7.0" COUPLING SHAFT	01
24	0503010018	5/32 X 1-1/2 COTTERPIN	02
25	0501061106	REGULATOR SPEED	01
26	0501010717	FIXER REGULATOR SPEED	01
27	0501010100	5/8 UNC X 2 C S G.5 BOLT	02
28	0503010027	SPRING WASHER	01
29	0503010013	5/8" NUT	06
30	0501046491	FRONT PLOUGH SUPPORT	01
31	0501065762	AXLE TRANSMISSION SPEED	01
32	0503010233	5/8" X 2-1/2" BOLT	01

AR (MOUNTED REVERSIBLE DISC PLOW)

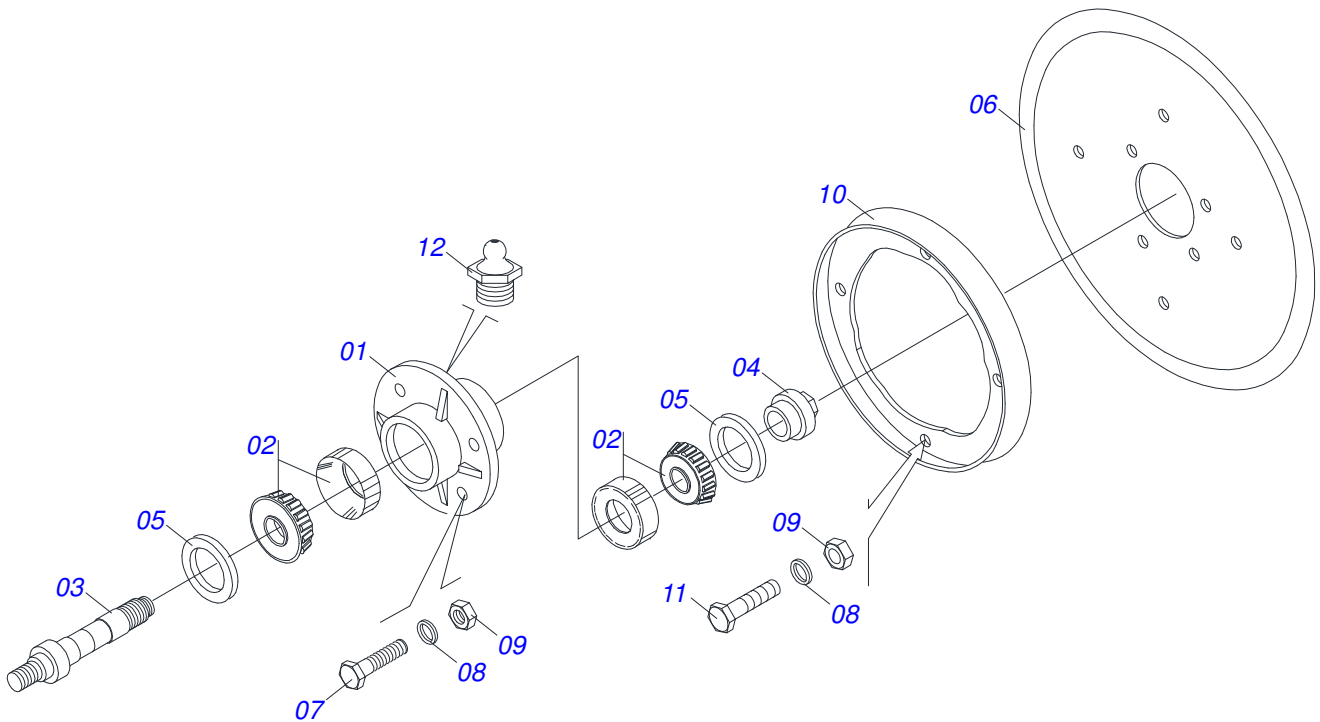
Item	Code	Description	QT
33	0501010718	GUIDE AXLE TRANSMITTER	01
34	0501046492	REAR PLOUGH SUPPORT ASSY	01
35	0501063348	HOLDER BAR	01
36	0501065497	PLOUGH SUPPORT FURROW WHEEL	01
37	0501065399	REVERSIBLE ARM	01
38	0501010512	5/8" X 3-3/8" BOLT	01
39	0501010190	LOCK LOCKNUT	01
40	0501060107	REGULATOR BOLT	01
41	0501063497	FORK SPRING	01
42	0503030441	12.7" X 5.7" X 0.5" SPRING	01
43	0502040302	SPRING SUPPORT	01
44	0501060108	5/8" X 5/8" X 16.9" STUD	01
45	0501065202	LEFT ARM FURROW WHEEL	01
45A	0501065203	RIGHT ARM FURROW WHEEL	01
46	0501043789	FURROW WHEEL ASSY	01
47	0503010012	1" SPRING WASHER	03
48	0503010340	1" NUT	03
49	0511010353	DISC SCRAPER	02
50	0501010102	1/2" X 1-1/4" BOLT	02
51	0501016214	CABLE REVERSIBLE ARM	01
52	0501010059	1.5/8 NUT	01
53	0501061105	CABLE REGULATOR	01
54	0521010561	0.7" X 2.0" COUPLING SHAFT	01
55	0503030024	1.7" X 10.2" X 0.2" EXTENSION SPRING	01
56	0501010719	AIR TURNBUCKLE	01
57	0503010026	3/8" NUT	02
58	0521010578	COUPLING SHAFT	01
59	0521010595	1.1" X 4.3" COUPLING SHAFT	02
60	0503031035	HAIR PIN	04
61	0501060121	PLOUGH SUPPORT 860 AR	01
62	0501063346	CABLE LEVER	01
63	0503010237	3/8" X 1" BOLT	02
64	0601036001	24" X 0.2" PLAIN DISC BLADE	03
64.	0601039002	28" X 0.2" PLAIN DISC BLADE	03
65	0501010078	1/2" X 1-1/2" BOLT	15
66	0501063495	DISC SCRAPER	03
67	0501010161	1/2" X 1.1/4" BOLT	03
68	0503010002	1800 GREASE FITTING	12
69	0503010004	1890 GREASE FITTING	01
70	0502040720	2.9" X 3.6" X 2" SLEEVE	01
71	0501010723	FLAT WASHER	01
72	0503010928	0.4" X 4" SPRING PIN	01
73	0503010927	0.6" X 3.9" SPRING PIN	01
74	0511010927	2.9" X 2.4" X 0.6" BUSHING	01
75	0501011445	FLAT WASHER	02



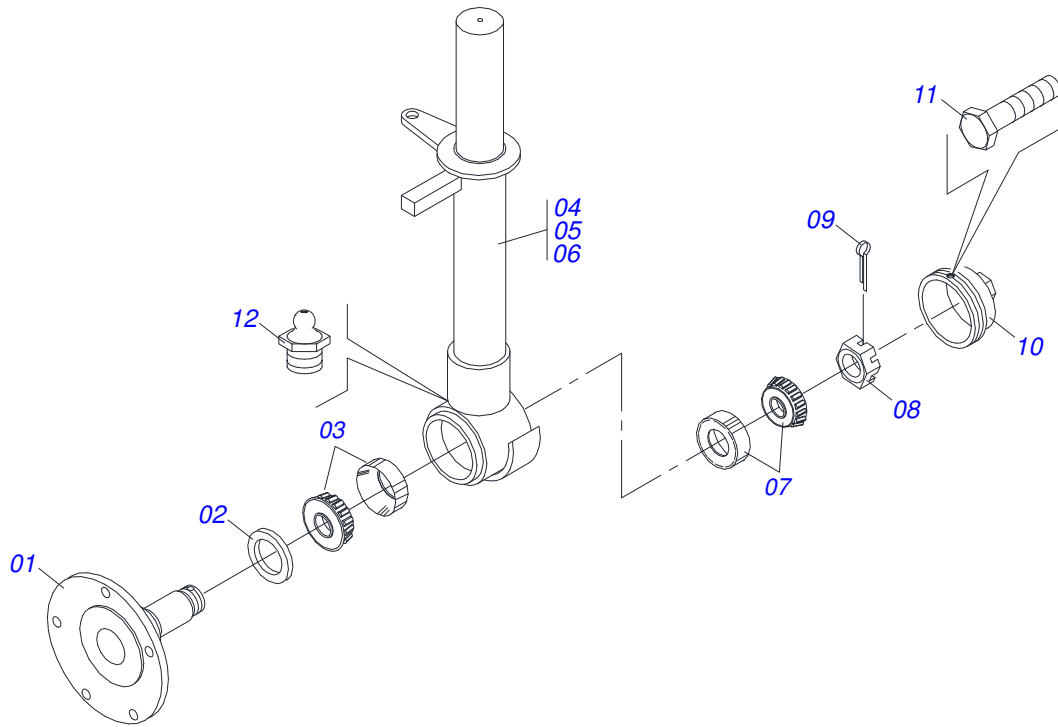
Item	Code	Description	QT
01	0501063342	FRAME	01
02	0501061109	BOLT	02
03	0501016857	LOCK LOCKNUT	02
04	0501016206	FLAT WASHER	01
05	0501063348	HOLDER BAR	01
06	0501046490	CENTRAL PLOUGH SUPPORT	01
07	0502040720	2.9" X 3.6" X 2" SLEEVE	01
08	0501016854	FLAT WASHER	01
09	0503010023	SPRING WASHER	01
10	0501011544	3/4" X 1-1/2" BOLT	01
11	0501010721	PULLEY	01
12	0501016208	AXLE PULLEY	01
13	0501061106	REGULATOR SPEED	01
14	0501010717	FIXER REGULATOR SPEED	01
15	0501010100	5/8 UNC X 2 C S G.5 BOLT	01
16	0503011445	SPRING WASHER	01
17	0503010013	5/8" NUT	01
18	0501046491	FRONT PLOUGH SUPPORT	01
19	0501065762	AXLE TRANSMISSION SPEED	01
20	0503010928	0.4" X 4" SPRING PIN	01
21	0503010927	0.6" X 3.9" SPRING PIN	01
22	0503010233	5/8" X 2-1/2" BOLT	01
23	0501043464	1.5" X 2.5" X 13" X 5.7" HYDRAULIC CYLINDER	01
24	0601036001	24" X 0.2" PLAIN DISC BLADE	03
25	0501010718	GUIDE AXLE TRANSMITTER	03
26	0501046492	REAR PLOUGH SUPPORT ASSY	01
27	0501010723	FLAT WASHER	01
28	0501063348	HOLDER BAR	01
29	0501010322	FLAT WASHER	01
30	0503010018	5/32 X 1-1/2 COTTERPIN	01
31	0501065497	PLOUGH SUPPORT FURROW WHEEL	01
32	0511010927	2.9" X 2.4" X 0.6" BUSHING	01
33	0501065399	REVERSIBLE ARM	01

AR (MOUNTED REVERSIBLE DISC PLOW)

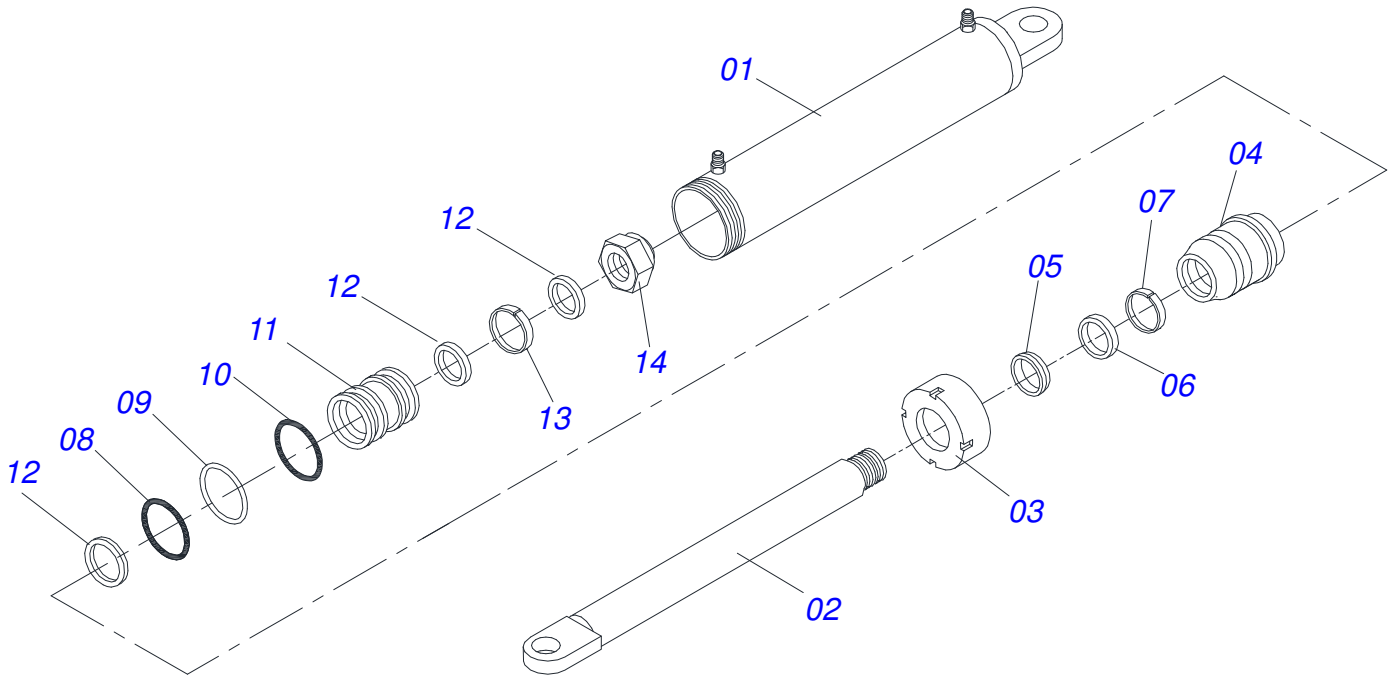
Item	Code	Description	QT
34	0501010197	5/8" X 3-1/2" BOLT	01
35	0501053834	QUICK CONECTION (MALE) 1/2	02
35A	0503011627	QUICK CONNECTION (MALE) AGR 1/2 NPT	02
35B	0503011882	QUICK CONNECTION COVER	02
36	0501080380	3/8" X 75" TR-TM HOSE ASSY	01
37	0501010190	LOCK LOCKNUT	01
38	0501060107	REGULATOR BOLT	01
39	0501063497	FORK SPRING	01
40	0503030441	12.7" X 5.7" X 0.5"SPRING	01
41	1902040302	APOYO RESORTE	01
42	0501060108	5/8" X 5/8" X 16.9" STUD	01
43	0503010013	5/8" NUT	01
44	0501065202	LEFT ARM FURROW WHEEL	01
45	0501043789	FURROW WHEEL ASSY	01
46	0501065203	RIGHT ARM FURROW WHEEL	01
47	0501011445	FLAT WASHER	01
48	0503011438	SPRING WASHER	01
49	0503010340	1" NUT	01
50	0511010353	DISC SCRAPER	01
51	0501011600	1/2" X 1-1/4" BOLT	01
52	0503010020	1/2"NUT	01
53	0501016214	CABLE REVERSIBLE ARM	01
54	0501010059	1.5/8 NUT	01
55	0501061105	CABLE REGULATOR	01
56	0521010561	0.7" X 2.0" COUPLING SHAFT	01
57	0503010018	5/32 X 1-1/2 COTTERPIN	01
58	0501063495	DISC SCRAPER	01
59	0503010834	1/2 X 1 BOLT	01
60	0503012956	1/2" X 1-1/2" BOLT	01
61	0503011440	SPRING WASHER	01
62	0503010020	1/2"NUT	01
63	0502010477	UPPER CLIP	01
64	0503011443	SPRING WASHER	01
65	0503010751	C3/8" X 1.1/4" HEX BOLT G.5	01
66	0503010002	1800 GREASE FITTING	01
67	0503010004	1890 GREASE FITTING	01
68	0521010588	0.9" X 7.0" COUPLING SHAFT	01
69	0521010572	0.9" X 2.9" COUPLING SHAFT	01
70	0503010571	1/4" X 1.1/2 COTTERPIN	01
71	0521010578	COUPLING SHAFT	01
72	0521010595	1.1" X 4.3" COUPLING SHAFT	01
73	0503031035	HAIR PIN	01
74	0501060121	PLOUGH SUPPORT 860 AR	01
75	0501080569	3/8" X 67" TR-TM HOSE ASSY	01



Item	Code	Description	QT
00	0501043789	FURROW WHEEL ASSY	
01	0502020601	FURROW WHEEL HUB	01
02	0503010745	BEARING 25877/25821	02
03	0511010396	HUB AXLE	01
04	0502040587	ADJUSTMENT NUT	01
05	0503010279	SEAL	02
06	0603027058	20"X 0.2" FLAT PLAIN DISC	01
07	0501010063	1/2" X 1-1/2" BOLT	08
08	0503010019	1/2" SPRING WASHER	08
09	0503010060	1/2" NUT	04
10	0502020028	FURROW WHEEL FLANGE	02
11	0503010238	1/2" X 1-3/4" BOLT	04
12	0503010002	1800 GREASE FITTING	01



Item	Code	Description	CEN DIA TRA
00A	0501046490	CENTRAL PLOUGH SUPPORT	01 00 00
00B	0501046491	FRONT PLOUGH SUPPORT	00 01 00
00C	0501046492	REAR PLOUGH SUPPORT ASSY	00 00 01
01	0502040091	DISC DISH FOR AF	01 01 01
02	0503011866	SEAL 00573-B WITH HOLE	01 01 01
03	0503010005	32212 ROLLER BEARING	01 01 01
04	0501067344	CENTRAL PLOUGH SUPPORT	01 00 00
05	0501067345	FRONT PLOUGH SUPPORT	00 01 00
06	0501067346	REAR PLOUGH SUPPORT	00 00 01
07	0503010006	32210 ROLLER BEARING	01 01 01
08	0501010888	1.3/4" 2.5/16" CASTLE NUT	01 01 01
09	0503010010	1/4" X 2.1/2" COTTERPIN	01 01 01
10	0502020597	COVER	01 01 01
11	0503010178	5/16" X 7/8" BOLT	01 01 01
12	0503010002	1800 GREASE FITTING	01 01 01



Item	Code	Description	QT
01	0501065175	2.5" X 11.5" CYLINDER CASE	01
02	0501069826	HYDRAULIC CYLINDER TURNBUCKLE	01
03	0502010471	MOBILE COVER	01
04	0502010780	RING SUPPORT	01
05	0503010163	D-1500 SCRAPER RING	01
06	0503010989	1870-1500-375-B GASKET	01
07	0503010970	W1-1650-500 PK O'RING G.E	01
08	0503011058	8-330 BACK-UP RING	01
09	0503010161	2-330 N 3006 9B O'RING	01
10	0503010285	2-222 N 3006-9B O'RING	01
11	0502010783	1.5" X 2.5" PISTON	01
12	0503010160	2500 2000 GASKET	02
13	0503010973	W2-2500-500 PK O'RING G.E	01
14	0503010063	1" SELF-ALIGNING NUT	01
15	0501032666	HYDRAULIC CYLINDER REPAIR KIT	01



email: civemasa@civemasa.com.br

www.civemasa.com.br

Phone: +55 16.3382.8222

Fax: +55 16.3382.8355

MARCHESAN IMPLEMENTOS E MÁQUINAS AGRÍCOLAS "TATU" S.A.

Av. Marchesan, 1979 - Post Office box, 131 - Cep 15994-900 - Matão - Sp - Brasil

CNPJ 52.311.289/0001-63 | Inst. Est.441.000.151.114

Technical Publications: Elaboration

LUIZ CANDIDO

Technical Publications: Revision

LUIZ CANDIDO

Contact Catálogo:

E-mail = jgaspari@marchesan.com.br

**ORIGINAIS PARTS
CIVEMASA**

civemasa