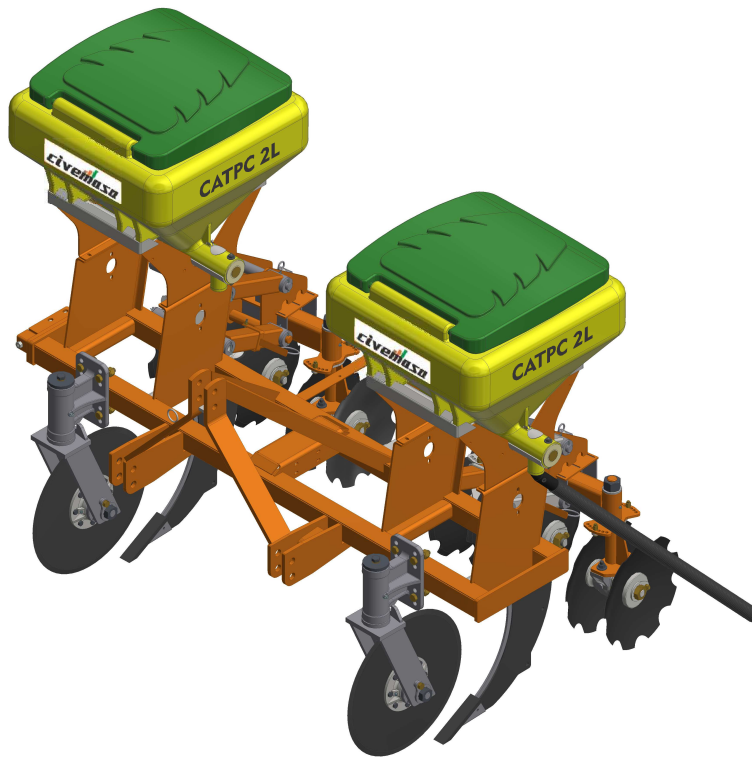


PARTS CATALOGUE

TINE CULTIVATORS

CATPC

Code: 0501092108



Series: S-0207

Review: JANEIRO/20018

**ORIGINAL PARTS
CIVEMASA**

civemasa

PRODUCTS

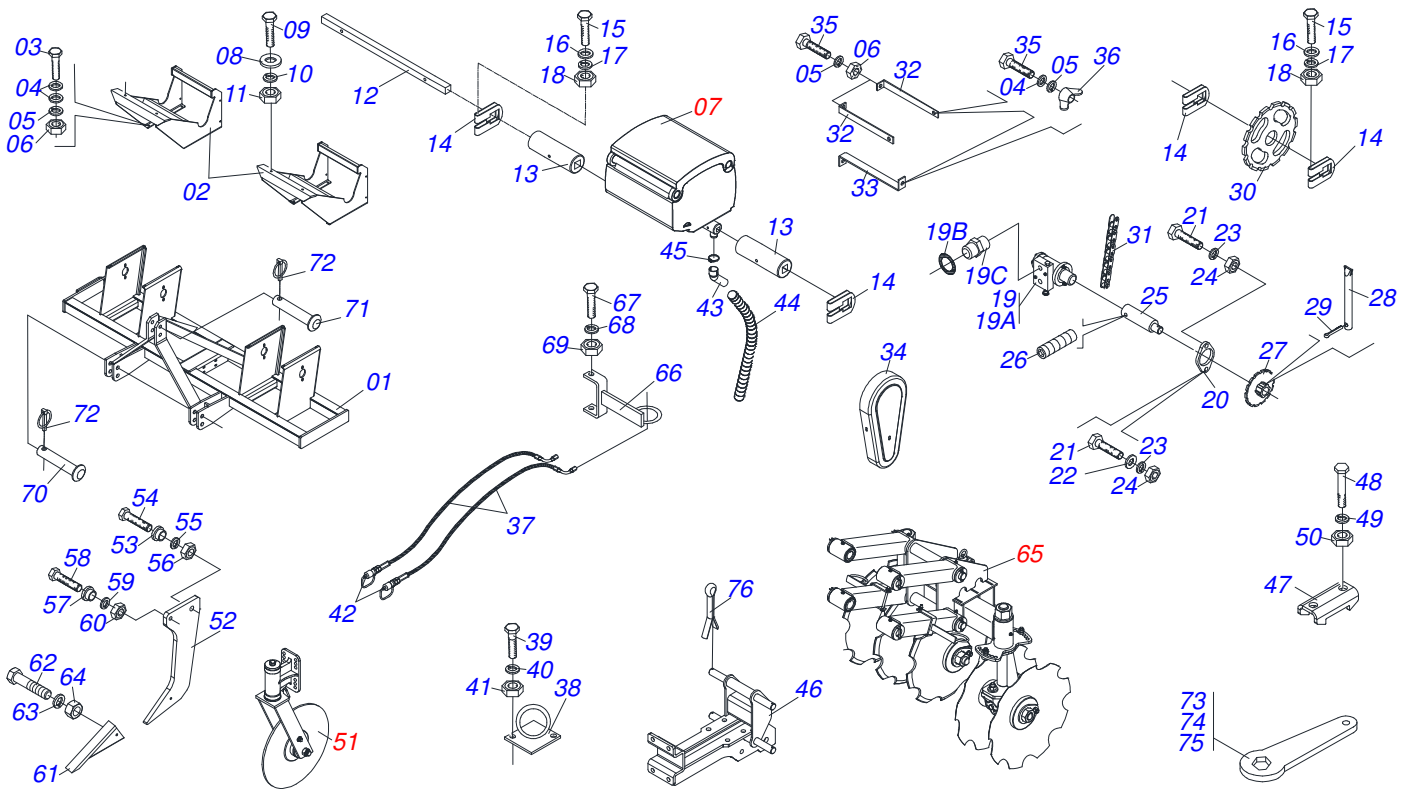
Code	Description
0120840134	CATPC 2L 2H DC 270L 61780083
0120840083	CATPC 2L 2H DC 270L 10D 61780038
0120840136	CATPC 2L 2H DC 270L 10D KS
0120840140	CATPC MC 2L 2H 10D DC KS 61780092
0120840150	CATPC MC 2L 2H 10D KS S/DC MF 292
0120840149	CATPC MC 2L 2H 270L 10D DC JD 5705

ATTENTION: **IMPORTANT**

CIVEMASA RESERVES THE RIGHT AT ANY TIME TO MAKE IMPROVEMENTS IN THE DESIGN, MATERIAL OR SPECIFICATIONS OF MACHINERY, EQUIPMENT OR PARTS WITHOUT THEREBY BECOMING LIABLE TO MAKE SIMILAR CHANGES IN MACHINERY, EQUIPMENT OR PARTS PREVIOUSLY SOLD.

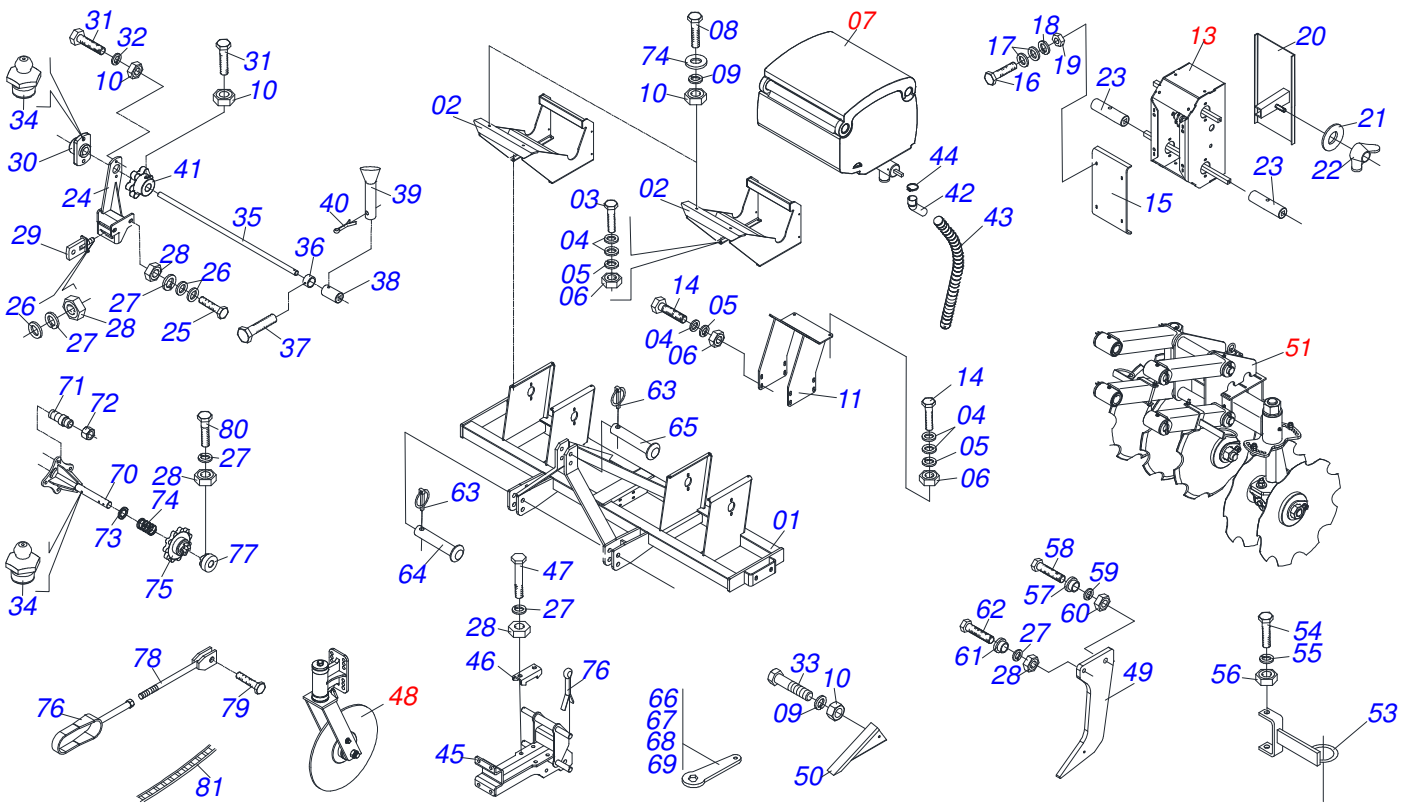
INDEX

0909093653	FRAME CATPC	1
0909093654	FRAME MECHANICAL CATPC	2
0909093655	SET HORROW	3
0501056287	SPEED BOX VARIADOR	4
0511045044	20" BLADE DISC ASSY	5
0503061599	BEAN FERTILIZER ASSY	6
0909090433	OIL BATH BEARING	7



Item	Code	Description	QT
01	0511067623	FRAME	01
02	0511067625	FERTILIZER BEAM SUPPORT	02
03	0503010849	3/8" X 1-1/2" BOLT	08
04	0501010984	FLAT WASHER	16
05	0503010025	3/8 SPRING WASHER	13
06	0503010026	3/8" NUT	10
07	0503061599	BEAN FERTILIZER ASSY	02
08	0501010145	FLAT WASHER	04
09	0503010740	1/2" X 2" BOLT	04
10	0503010019	1/2" SPRING WASHER	04
11	0503010060	1/2" NUT	04
12	0511011539	3/4" SQUARE SHAFT	01
13	0502012007	SQUARE SLEEVE	02
14	0521010691	AXLE FASTENER	02
15	0503010373	1/4" X 2" BOLT	02
16	0511017303	FLAT WASHER	02
17	0503010143	SPRING WASHER	02
18	0503010144	1/4" NUT	02
19	0501053421	VALVE MOTOR HYDRAULIC ASSY	01
19A	0503012829	VALVE HYDRAULIC MOTOR ASSY	01
19B	0503010045	2-116 N 3006-9B O'RING	02
19C	0501010590	7/8" REDUCTION NIPPLE	02
20	0541019115	HYDRAULIC MOTOR FLANGE	01
21	0503011172	1/2" X 2-1/2" BOLT	02
22	0511017302	FLAT WASHER	01
23	0503010019	1/2" SPRING WASHER	02
24	0503010060	1/2" NUT	02
25	0561016114	HIDRAULIC MOTOR AXLE	01
26	0503011136	1/2" X 1/2" CSI BOLT	01
27	0502011317	10Z P 1.2" RH 1.3/8" GEAR	01
28	0521010530	COUPLING SHAFT	01
29	0503010140	1/8" X 3/4" COTTERPIN	01
30	0502011318	10Z GEAR	01

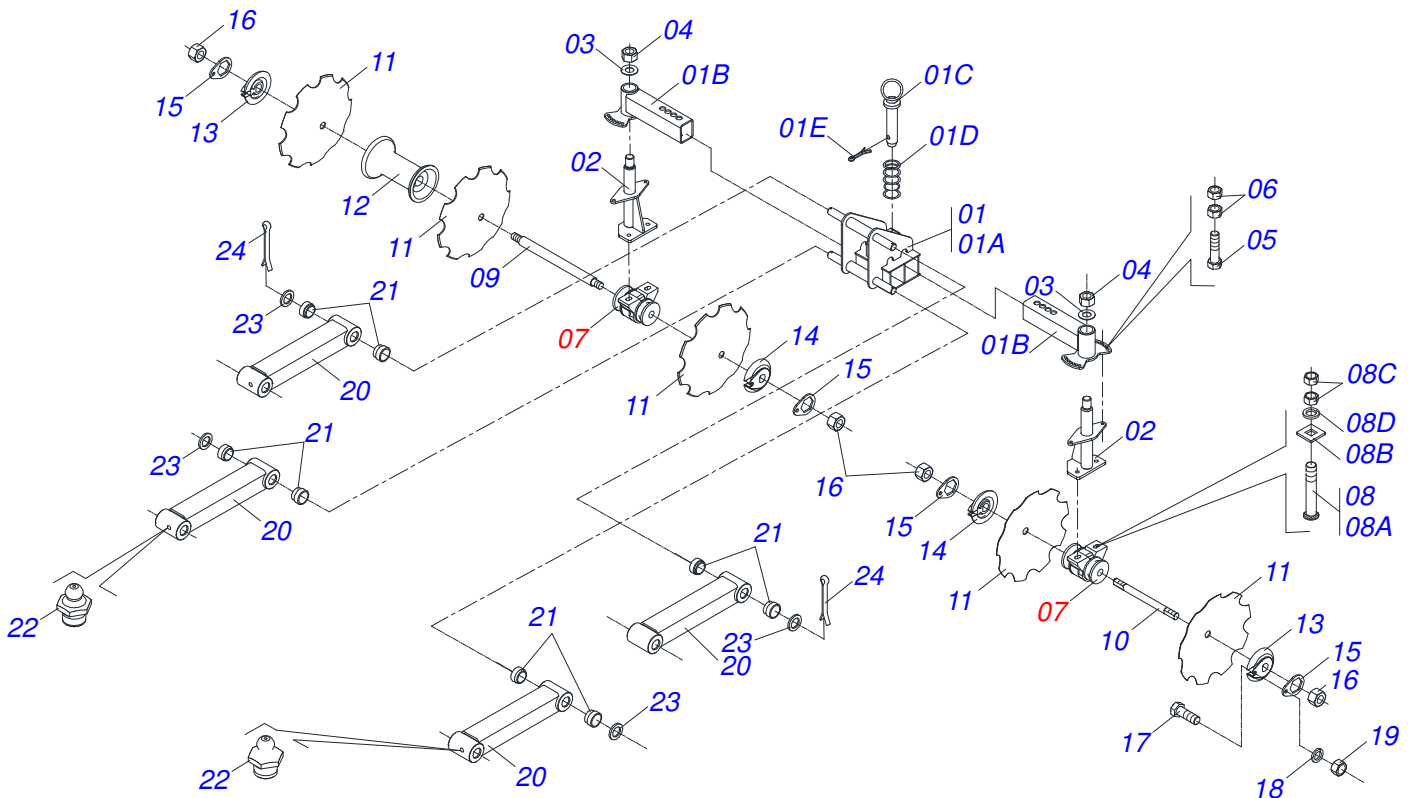
Item	Code	Description	QT
31	0503014266	2050 CHAIN X 31 LINK + MENDING+REDUCTION	01
32	0541019406	CHAIN CAP UPPER SUPPORT	02
33	0541019404	CHAIN CAP LOWER SUPPORT	01
34	0503032927	CHAIN CAP BLACK	01
35	0503011087	3/8" X 1" BOLT	05
36	0503010209	3/8" UNC BUTTERFLY NUT	03
37	0501080097	1/2" X 98" TC-TM HOSE ASSY	02
38	0511062800	HOSE ASSY FIZER	01
39	0503010371	5/16" X 1" BOLT	02
40	0503010179	SPRING WASHER	02
41	0503010337	5/16" NUT	02
42	0501053834	QUICK CONECTION (MALE) 1/2	02
42A	0503011627	QUICK CONNECTION (MALE) AGR 1/2 NPT	01
42B	0503011882	QUICK CONNECTION COVER	01
43	0503031050	CURVED CONDUCTOR	04
44	0501010769	2" X 31.5" HOSE ASSY	04
45	0503010246	CLAMP	04
46	0511067624	MOBILE FRAME	02
47	0551011189	FIXER MOBILE FRAME	04
48	0501011545	3/4" X 6-1/2" BOLT	08
49	0503010023	SPRING WASHER	08
50	0503010014	3/4" NUT	08
51	0511045044	20" BLADE DISC ASSY	02
52	0511068582	TURNBUCLE	02
53	0551011192	25,80 X 50,80 X 26 SLEEVE	02
54	0501010392	1" X 5" BOLT	02
55	0503010012	1" SPRING WASHER	02
56	0501010059	1.5/8 NUT	02
57	0551011191	19,84 X 38,10 X 26 SLEEVE	02
58	0503011328	3/4" X 4" BOLT	02
59	0503010023	SPRING WASHER	02
60	0503010014	3/4" NUT	02
61	0511067843	POINT SUBSOILER	02
62	0501010160	1/2" X 3" BOLT	02
63	0503010019	1/2" SPRING WASHER	02
64	0503010060	1/2" NUT	02
65	0909093655	SET HORROW	02
66	0511067647	HOSE HOLDER	04
67	0503010295	5/16" X 5/8" BOLT	04
68	0503010179	SPRING WASHER	04
69	0503010337	5/16" NUT	04
70	0521010595	1.1" X 4.3" COUPLING SHAFT	02
71	0521010579	COUPLING SHAFT	01
72	0503030085	LOCK PIN	03
73	0531014773	2.3 CABLE FLAT WRENCH HEX	01
74	0521012199	1.6" GANG BOLT WRENCH	01
75	0521012200	2" CABLE FLAT WRENCH	01
76	0503010523	1/4" X 2" COTTERPIN	16



Item	Code	Description	QT
01	0511067623	FRAME	01
02	0511067625	FERTILIZER BEAM SUPPORT	02
03	0503010849	3/8" X 1-1/2" BOLT	08
04	0501010984	FLAT WASHER	16
05	0503010025	3/8 SPRING WASHER	13
06	0503010026	3/8" NUT	10
07	0503061599	BEAN FERTILIZER ASSY	02
08	0503010740	1/2" X 2" BOLT	04
09	0503010019	1/2" SPRING WASHER	14
10	0503010060	1/2" NUT	18
11	0511067107	SPEED SUPPORT VARIADOR	01
12	0503010751	C3/8" X 1.1/4" HEX BOLT G.5	08
13	0501056287	SPEED BOX VARIADOR	01
14	0503011087	3/8" X 1" BOLT	04
15	0541019052	SPEED COVER VARIADOR	01
16	0503010461	1/4" X 1" BOLT	04
17	0511017303	FLAT WASHER	08
18	0503010143	SPRING WASHER	04
19	0503010144	1/4" NUT	04
20	0511066626	SPEED COVER BOX	01
21	0521013303	WASHER	01
22	0503010499	5/16" UNC BUTTERFLY NUT	01
23	0502012007	SQUARE SLEEVE	02
24	0511067106	DRIVING AXLE SUPPORT	02
25	0501010098	HEX BOLT 3/4 UNC X 2 C S G.5 ZN	02
26	0501010322	FLAT WASHER	05
27	0503010023	SPRING WASHER	14
28	0503010014	3/4" NUT	15
29	0511068171	EAR DRIVING	01
30	0501110014	AGRICULTURAL BEARING	01
31	0501010077	1/2" X 2" BOLT	04
32	0503010019	1/2" SPRING WASHER	02
33	0501010160	1/2" X 3" BOLT	02

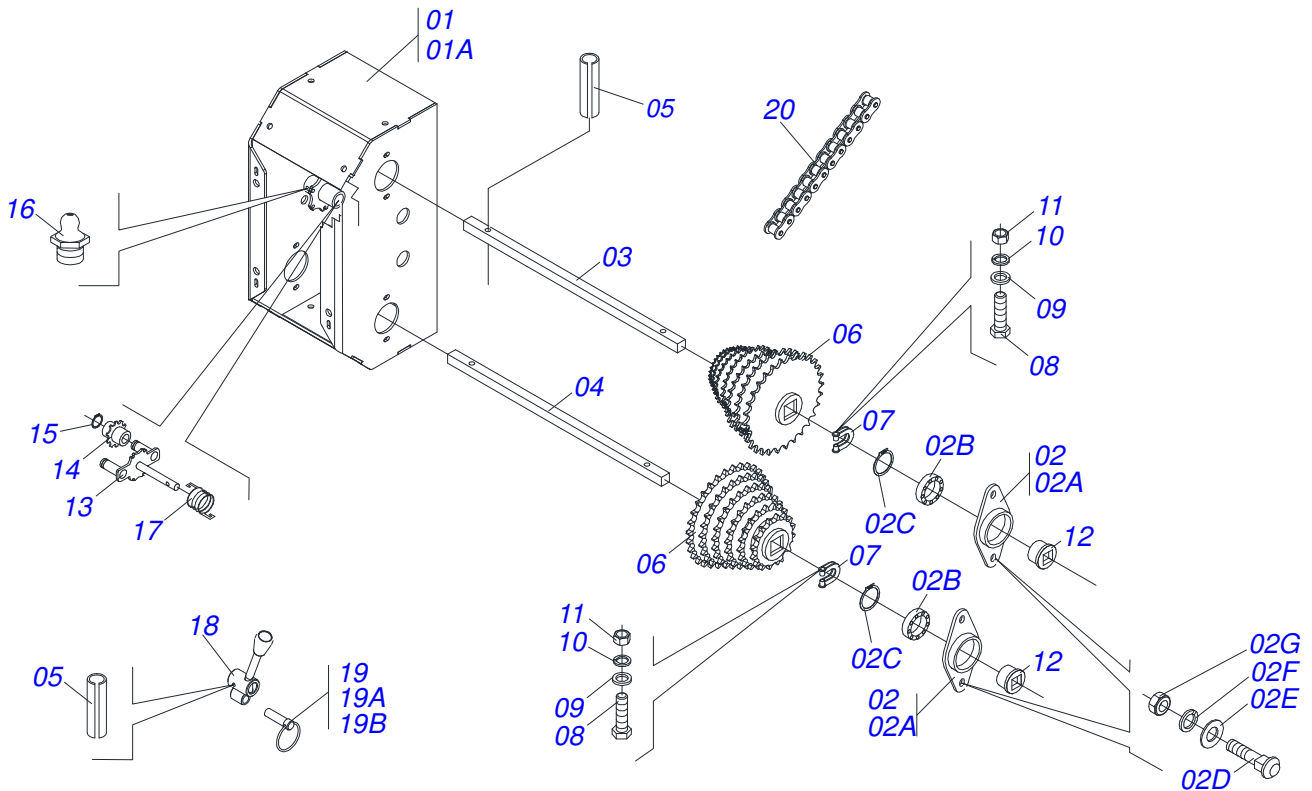
FRAME MECHANICAL CATPC

Item	Code	Description	QT
34	0503010002	1800 GREASE FITTING	18
35	0541018896	DRIVER AXLE	01
36	0501010783	DRIVING AXLE LUCK	01
37	0503013662	1/2" X 1" BOLT	01
38	0511067108	SLEEVE AXLE DRIVING	01
39	0521010530	COUPLING SHAFT	01
40	0503010140	1/8" X 3/4" COTTERPIN	01
41	0502011311	6Z GEAR	01
42	0503031050	CURVED CONDUCTOR	04
43	0521015491	2" X 1200 HOSE	04
44	0503010246	CLAMP	04
45	0511067624	MOBILE FRAME	02
46	0551011189	FIXER MOBILE FRAME	04
47	0501011545	3/4" X 6-1/2" BOLT	08
48	0511045044	20" BLADE DISC ASSY	02
49	0511068582	TURNBUCLE	02
50	0511067843	POINT SUBSOILER	02
51	0909093655	SET HORROW	08
52	0503010523	1/4" X 2" COTTERPIN	16
53	0511067647	HOSE HOLDER	04
54	0503010295	5/16" X 5/8" BOLT	04
55	0503010179	SPRING WASHER	04
56	0503010337	5/16" NUT	04
57	0551011192	25,80 X 50,80 X 26 SLEEVE	02
58	0501010392	1" X 5" BOLT	02
59	0503010012	1" SPRING WASHER	02
60	0501010059	1.5/8 NUT	02
61	0551011191	19,84 X 38,10 X 26 SLEEVE	02
62	0503011328	3/4" X 4" BOLT	02
63	0503030085	LOCK PIN	03
64	0521010595	1.1" X 4.3" COUPLING SHAFT	02
65	0521010579	COUPLING SHAFT	01
66	0531014773	2.3 CABLE FLAT WRENCH HEX	01
67	0521012199	1.6" GANG BOLT WRENCH	01
68	0521012200	2" CABLE FLAT WRENCH	01
69	0521012126	1.3" CABLE FLAT WRENCH HEX	01
70	0501061186	MOTOR SUPPORT	01
71	0501010762	STUD	04
72	0501016992	3/4" CONIC NUT	04
73	0501010765	SPINDLE GUIDE	01
74	0503030086	COMPRESSION SPRING	01
75	0502011321	11Z GEAR WITH RIGHT DRAGGER	01
76	0501061189	COUPLING/UNCOUPLING ARM	01
77	0502011379	RH FOLLOWER	01
78	0501067747	ROD DRIVING	01
79	0503011082	C1/2" X 1.3/4" BOLT	02
80	0501010827	3/4" X 2-3/4" BOLT	01
81	0503010252	57 CHAIN X 63 LINK	01

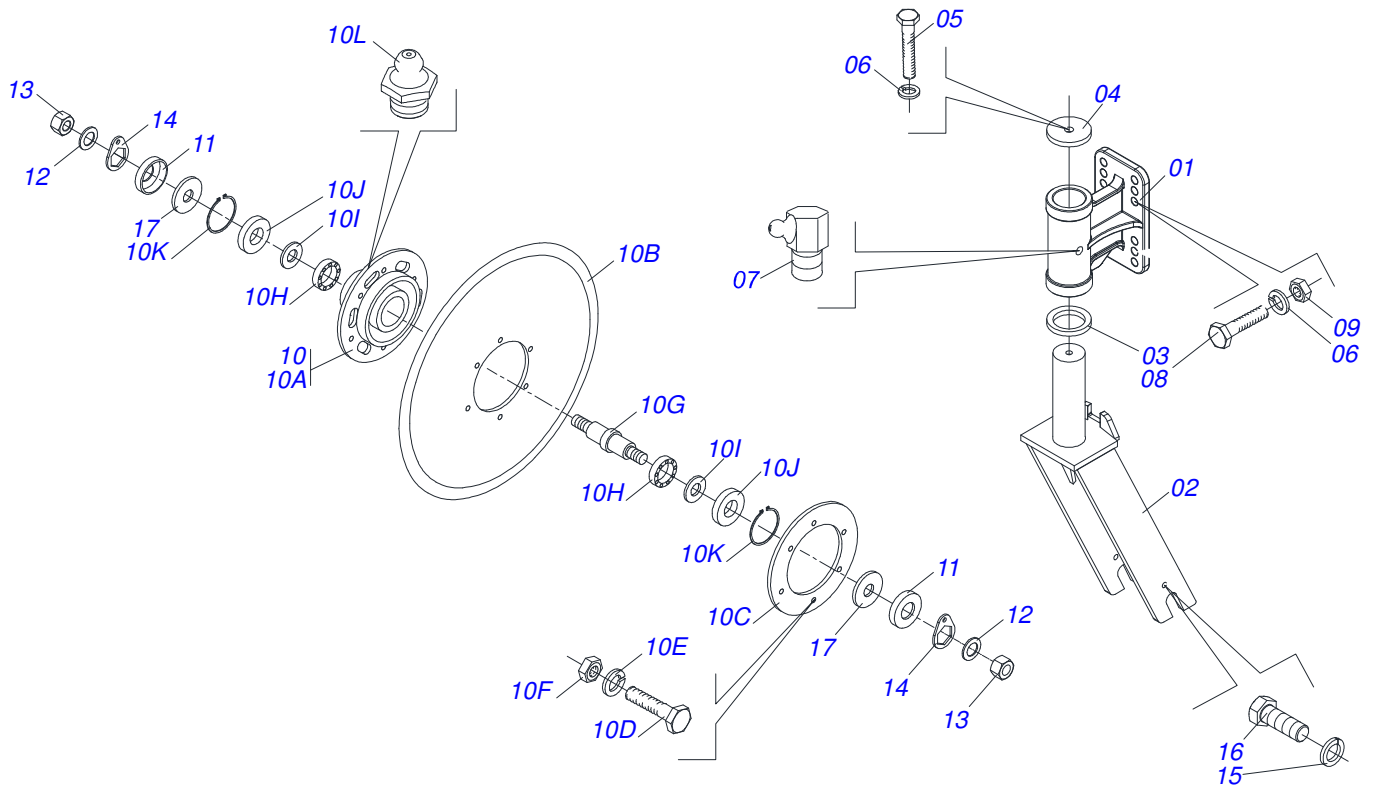


Item	Code	Description	QT
01	0501057083	ROCKING HORROW FRAME	01
01A	0511067628	ROCKING HORROW	01
01B	0501069469	DISC REG DRIVER REG	02
01C	0501069472	DRIVER REG LOCK PIN	02
01D	0503030978	COMPRES SPRING	02
01E	0503010038	3/16 X 2 COTTERPIN	02
02	0511063098	DISC SUPPORT UPPER	02
03	0521012120	WASHER	02
04	0503010290	SELF ADJUSTING 1.1/2" UNF NUT	02
05	0503011195	7/16" X 1.3/4" BOLT	04
06	0503010244	7/16" NUT	08
07	0501049008	7.2" X 1-1/4" OIL BATH BEARING	02
08	0501048963	5/8" X 2-1/2" BOLT ASSY	04
08A	0501014177	5/8" X 2-1/2" BOLT	01
08B	0501010947	5/8 NUT LOCK	01
08C	0503010013	5/8" NUT	02
08D	0501012140	FLAT WASHER	01
09	0501010752	1.1/4" X 500 AXLE	01
10	0521012160	1.1/4" X 290 AXLE	01
11	0602025262	18" X 4,5 NOTCHED DISC BLADE	05
11.	0602025011	0.7" X 0.2" NOTCHED DISC BLADE	05
12	0502020052	181 SPACER	01
13	0502010834	1-1/4" INNER AXLE WASHER	02
14	0502010835	1-1/4" EXTERNAL AXLE WASHER	02
15	0501010455	1.1/4" NUT LOCK	04
16	0501010087	1.1/4" NUT	04
17	0501010161	1/2" X 1.1/4" BOLT	04
18	0503010019	1/2" SPRING WASHER	04
19	0503010060	1/2" NUT	04
20	0511060990	ROCKING DRIVER	04
21	0521012122	DRIVER ROCKING SLEEVE SUPPORT	16
22	0503010002	1800 GREASE FITTING	16
23	0551011190	FLAT WASHER	16

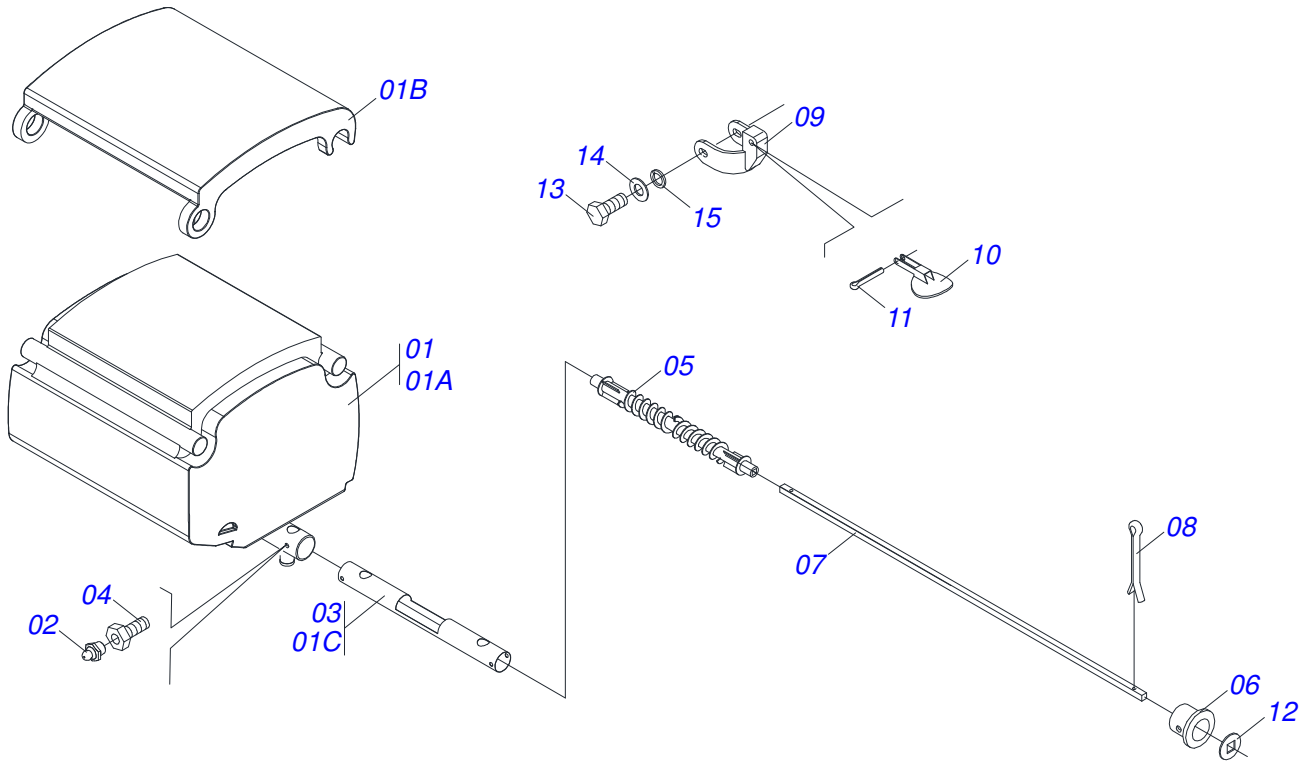
Item	Code	Description	QT
24	0503010523	1/4" X 2" COTTERPIN	16



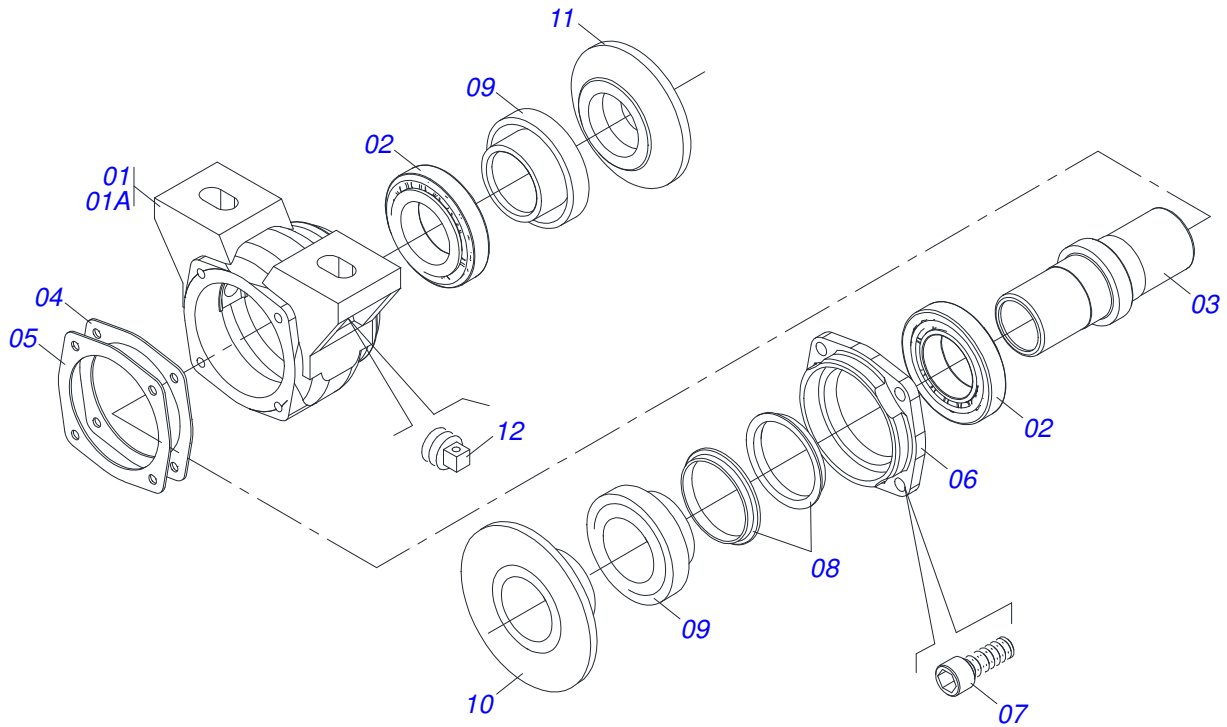
Item	Code	Description	QT
01	0501056287	SPEED BOX VARIADOR	01
01A	0511066625	SPEED BOX VARIADOR	01
02	0501053361	SPEED DOUB BEARING VARIADOR	04
02A	0502011987	DOUBLE HOUSING BEARING	01
02B	0503011410	ROLLER BEARING	02
02C	0503011105	SEAL RING	01
02D	0503011953	5/16" X 1" BOLT	02
02E	0501010694	FLAT WASHER	02
02F	0503010179	SPRING WASHER	02
02G	0503010337	5/16" NUT	02
03	0521013283	SPEED AXLE TRANSMISSION	01
04	0541016956	SPEED AXLE TRANSMISSION	01
05	0503010292	0.2" X 1.6" SPRING PIN	05
06	0501069700	FERTILIZER GEAR ASSY	02
07	0521010691	AXLE FASTENER	04
08	0503010373	1/4" X 2" BOLT	04
09	0511017303	FLAT WASHER	04
10	0503010143	SPRING WASHER	04
11	0503010144	1/4" NUT	04
12	0503031527	AGRICULTURAL BEARING	04
13	0511060393	CHAIN TENSIONER ASSY	01
14	0503031805	1 1/2" GEAR	02
15	0503010302	501019 SEAL RING	02
16	0503010002	1800 GREASE FITTING	01
17	0503031366	RH TORSION SPRING	01
18	0502011758	REAR TENSIONER LEVER	01
19	0501048790	AXLE WITH LINK ASSY	01
19A	0521012476	GEAR BOX LEVER AXLE	01
19B	0503031369	LINK	01
20	0503012143	78 CHAIN X 40-1 LINK + REDUCTION	01



Item	Code	Description	QT
00	0511045044	20" BLADE DISC ASSY	
01	0502012370	WITH BLADE DISC SUPPORT	01
02	0511067626	BLADE DISC FORK	01
03	0541018869	FLAT WASHER	01
04	0541018868	FLAT WASHER	01
05	0501010098	HEX BOLT 3/4 UNC X 2 C S G.5 ZN	01
06	0503010023	SPRING WASHER	05
07	0503010004	1890 GREASE FITTING	01
08	0503010901	3/4UNC 3.1/2 BOLT	04
09	0503010014	3/4" NUT	04
10	0501057077	20" BLADE DISC ASSY	01
10A	0502011562	DC PST ACT/ULTR BOX	01
10B	0603027851	20" X 0.2" FLAT PLAIN DISC	01
10C	0502020641	BLADE DISC FLANGE	01
10D	0503010358	5/16" X 5/8" BOLT	06
10E	0503011444	SPRING WASHER	06
10F	0503010337	5/16" NUT	06
10G	0551011186	BLADE DISC AXLE	01
10H	0503011784	6206 DDU C3 ROLLER BEARING	02
10I	0503030832	FLAT WASHER	02
10J	0503012417	SEAL	02
10K	0503011800	SEAL RING	02
10L	0503010691	1/4" GREASE FITTING	01
11	0551011188	BLADE DISC DUST CLOAK	02
12	0501011445	FLAT WASHER	02
13	0501010059	1.5/8 NUT	02
14	0511067629	NUT LOCK	02
15	0503010019	1/2" SPRING WASHER	02
16	0501010155	1/2" X 1" BOLT	02
17	0551011187	AXLE WASHER BLADE DISC	02



Item	Code	Description	QT
01	0503061581	FERTILIZER BOX WITH COVER	01
01A	0503032839	FERTILIZER BOX	01
01B	0503032752	FERTILIZER BOX COVER	01
01C	0541019291	DEPOSIT FERTILIZER WITH TUBE PVC	01
02	0503010691	1/4" GREASE FITTING	04
03	0503032838	TUBE GUIDE	01
04	0541014215	BEARING BOLT	04
05	0511065979	SCREW THEAD	01
06	0551011421	SCREW THEAD BEARING	02
07	0541014214	SQUARE SHAFT	01
08	0503010571	1/4" X 1.1/2 COTTERPIN	02
09	0511067781	SOCKET COVER SUPPORT	02
10	0511067667	COVER SOCKET	02
11	0503010362	1/8" X 1.1/4" COTTERPIN	02
12	0501010637	FLAT WASHER	02
13	0503010834	1/2 X 1 BOLT	04
14	0511017302	FLAT WASHER	04
15	0503010019	1/2" SPRING WASHER	04



Item	Code	Description	
00	0501049008	7.2" X 1-1/4" OIL BATH BEARING	01
00A	0501049009	7.2" X 1-1/4" OIL BATH BEARING	01
01	0502011765	HOUSING DM	01
01A	0502011766	HOUSING DM	01
02	0503010111	30210 ROLLER BEARING	02
03	0502040218	AXLE	01
04	0503030013	4.4" X 3.5" X 0.004" JOINT	02
05	0503030684	4.4" X 3.5" X 0.004" JOINT	01
06	0502020424	HOUSING CAP DM	01
07	0503010134	3/8" X 1" BOLT	04
08	0503030026	SEAL LP JB-253	02
09	0502010541	SEAL RETAINER	02
10	0502010073	OUTER FLANGE	01
11	0502010074	INNER FLANGE	01
12	0503010856	OIL PLUG	01

ANNOTATIONS



email: civemasa@civemasa.com.br

www.civemasa.com.br

Phone: +55 16.3382.8222

Fax: +55 16.3382.8355

MARCHESAN IMPLEMENTOS E MÁQUINAS AGRÍCOLAS "TATU" S.A.

Av. Marchesan, 1979 - Post Office box, 131 - Cep 15994-900 - Matão - Sp - Brasil

CNPJ 52.311.289/0001-63 | Inst. Est.441.000.151.114

Technical Publications: Elaboration

LUIZ CANDIDO

Technical Publications: Revision

LUIZ CANDIDO

Contact Catálogo:

E-mail = jgaspari@marchesan.com.br

**ORIGINAIS PARTS
CIVEMASA**

civemasa