

PARTS CATALOGUE

TINE CULTIVATORS

CCGA 13 A19

Code: 0501092107



Series: S-0504

Review: FEVEREIRO/2018

**ORIGINAL PARTS
CIVEMASA**

civemasa

PRODUCTS

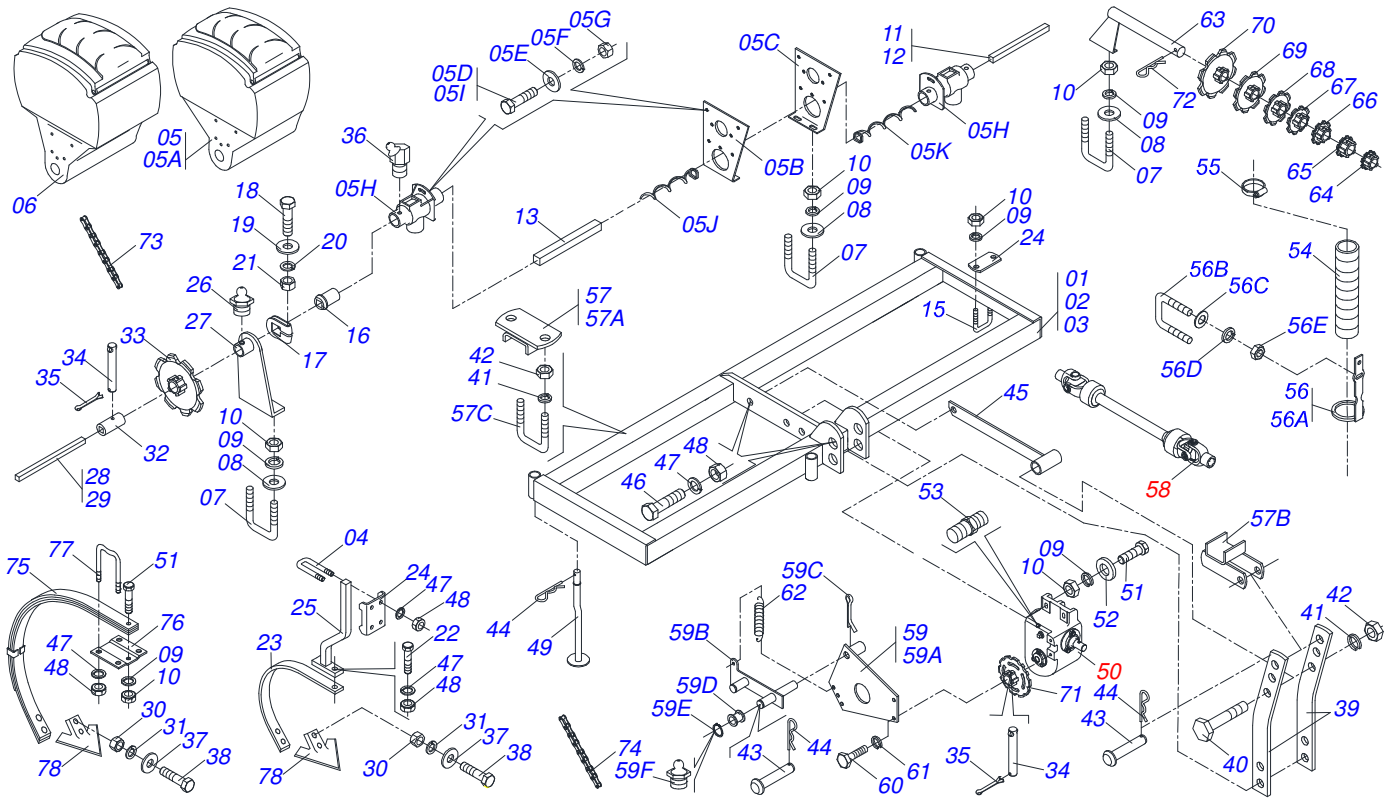
Code	Description
0120770003	CCGA 13HL X 3,70 4CD C/MEX S-0504
0120770002	CCGA 16 HL X 4,60 5 CS 61580029 S-0504
0120770004	CCGA 19HL X 5,50 6CD C/MEX S-0504

ATTENTION: **IMPORTANT**

CIVEMASA RESERVES THE RIGHT AT ANY TIME TO MAKE IMPROVEMENTS IN THE DESIGN, MATERIAL OR SPECIFICATIONS OF MACHINERY, EQUIPMENT OR PARTS WITHOUT THEREBY BECOMING LIABLE TO MAKE SIMILAR CHANGES IN MACHINERY, EQUIPMENT OR PARTS PREVIOUSLY SOLD.

INDEX

0909093704	FRAME	1
0501042390	DRIVE SHAFT	2
0511040626	REDUCTION	3
0909090476	MEXEDOR ASSY	4

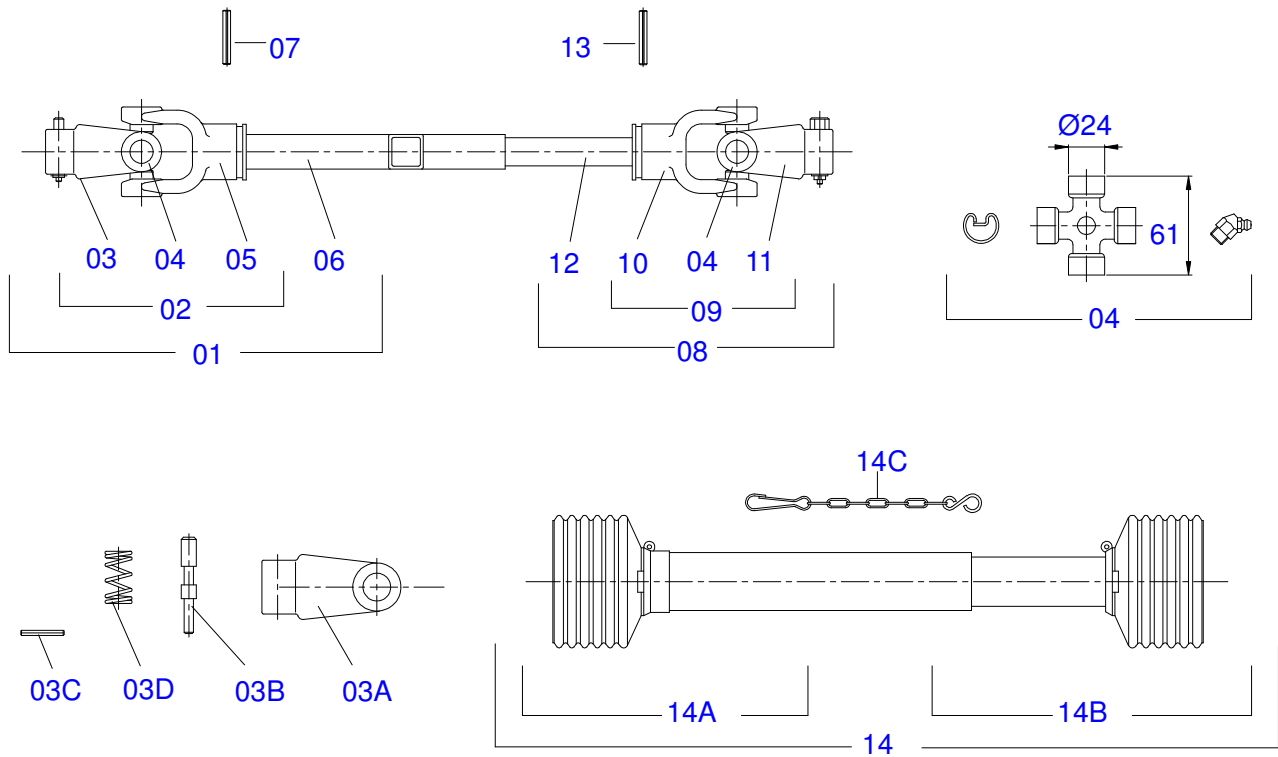


Item	Code	Description	13 16 19
01	0521064500	FRAME	01 00 00
02	0521064499	FRAME	00 01 00
03	0521064501	FRAME	00 00 01
04	0521010674	5/8" FASTENER	40 40 40
05	0501055052	SUPPORTE BOX FERTILIZER SIMPLE	04 04 06
05A	0503060644	COVER GREEN BOX FERTILIZER YELLOW	04 04 06
05B	0511013459	BOX SUPPORT RIGHT	04 04 06
05C	0511013460	BOX SUPPORT LEFT	04 04 06
05D	0503010371	5/16" X 1" BOLT	16 16 22
05E	0501011517	FLAT WASHER	20 20 26
05F	0503010179	SPRING WASHER	20 20 26
05G	0503010337	5/16" NUT	20 20 26
05H	0501110141	SOCKET	04 04 06
05I	0503010421	5/16" X 1-1/2" BOLT	04 04 06
05J	0503031171	RIGHT HELICAL CONDUTOR	04 04 06
05K	0503031172	LEFT HELICAL CONDUTOR	04 04 06
06	0521040906	SUPPORTE BOX FERTILIZER DOBLE	04 04 06
07	0521010656	1/2" X 4.3" X 3.3" FASTENER	04 04 06
08	0511017302	FLAT WASHER	16 16 60
09	0503010019	1/2" SPRING WASHER	16 16 60
10	0503010060	1/2" NUT	16 16 60
11	0501018653	3/4" X 46" SQUARE SHAFT	01 00 00
12	0511014265	3/4" X 86" SQUARE SHAFT	00 01 00
13	0511014238	3/4" X 104" SQUARE SHAFT	00 00 01
14	0501011978	5/8" FASTENER PLATE	10 16 20
15	0521010654	1/2" FASTENER	10 16 20
16	0502010671	CENTRAL BEARING	08 08 12
17	0521010691	AXLE FASTENER	08 08 12
18	0503010373	1/4" X 2" BOLT	08 08 12
19	0501010694	FLAT WASHER	08 08 12
20	0503010143	SPRING WASHER	08 08 12
21	0503010144	1/4" NUT	08 08 12
22	0501010100	5/8 UNC X 2 C S G.5 BOLT	13 13 20

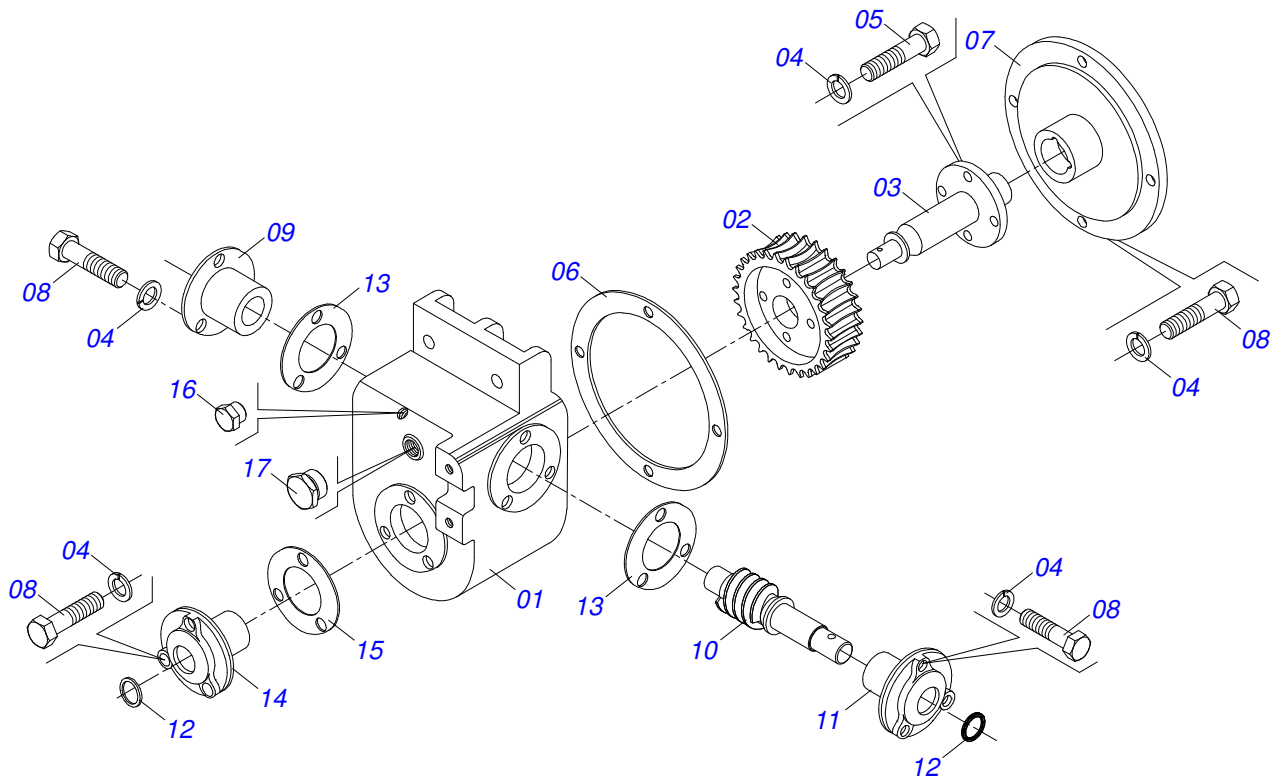
FRAME

Item	Code	Description	13 16 19
23	0501011974	TURNBUCLE	13 13 20
24	0501011976	1/2" FASTENER PLATE	13 13 20
25	0501061933	TURNBUCLE SUPPORT	13 13 20
26	0503010002	1800 GREASE FITTING	01 01 01
27	0501064419	CENTER BEARING SUPPORT	02 02 06
28	0501018698	3/4" X 72" SQUARE SHAFT	01 00 00
29	0511014237	3/4" X 110 SQUARE SHAFT	00 01 01
30	0503010244	7/16" NUT	26 32 36
31	0503010180	7/16" SPRING WASHER	26 32 36
32	0502012007	SQUARE SLEEVE	01 01 01
33	0502011341	16Z P 1.2" RH 0.8" GEAR	01 01 01
34	0521010530	COUPLING SHAFT	02 02 02
35	0503010140	1/8" X 3/4" COTTERPIN	02 02 02
36	0503010003	1845 GREASE FITTING	08 08 12
37	0501012803	FLAT WASHER	26 26 32
38	0501011963	7/16" X 1-1/2" BOLT	26 26 32
39	0501019055	CAB SEMI	02 02 02
40	0501010216	3/4" X 4-1/2" BOLT	01 01 01
41	0503010023	SPRING WASHER	01 01 01
42	0503010014	3/4" NUT	01 01 01
43	0521010577	0.9" X 4.1" COUPLING SHAFT	03 03 03
44	0503031035	HAIR PIN	04 04 04
45	0501064601	ATTACHMENT BAR	01 01 01
46	0503010232	5/8" X 1.3/4" BOLT	05 05 05
47	0503010027	SPRING WASHER	05 05 05
48	0503010013	5/8" NUT	05 05 05
49	0501062412	PLOUGH SUPPORT 725	01 01 01
50	0511040626	REDUCTION	01 01 01
51	0503010734	1/2" X 2-1/2" BOLT	02 02 02
52	0521012451	FLAT WASHER	02 02 02
53	0503010325	VCA-118 VALVE	01 01 01
54	0501010769	2" X 31.5" HOSE ASSY	08 08 12
55	0503010246	CLAMP	08 08 12
56	0501041004	HOSE HOLDER ASSY	08 08 12
56A	0501060833	HOSE HOLDER	08 08 12
56B	0521010683	3/8 UNC FASTENER	08 08 12
56C	0501010984	FLAT WASHER	08 08 12
56D	0503010025	3/8 SPRING WASHER	16 16 24
56E	0503010026	3/8" NUT	16 16 24
57	0501040967	LOWER HITCH ASSY	02 02 02
57A	0501060838	STAPLE GUIDE	02 02 02
57B	0501060837	LOWER HITCH	02 02 02
57C	0521010657	3/4" FASTENER	02 02 02
57D	0503011442	3/4" SPRING WASHER	04 04 04
57E	0503010014	3/4" NUT	04 04 04
58	0501042390	DRIVE SHAFT	01 01 01
59	0511040821	CHAIN TENSIONER ASSY	01 01 01
59A	0501064329	CHAIN TENSIONER	01 01 01
59B	0511063363	CHAIN TENSIONER	01 01 01
59C	0503010257	1/8" X 1" COTTERPIN	01 01 01
59D	0503030402	PULLEY	02 02 02
59E	0503010302	501019 SEAL RING	02 02 02
59F	0503010002	1800 GREASE FITTING	02 02 02
60	0503010256	3/8" X 3/4" BOLT	02 02 02
61	0503010025	3/8 SPRING WASHER	02 02 02
62	0503030093	TRACTION SPRING	01 01 01
63	0511063272	GEAR SUPPORT	01 01 01
64	0502011306	6Z P 1.2" RH 1.4" GEAR	01 01 01
65	0502011314	8Z P 1.1/4" RH1.4" GEAR	01 01 01
66	0502011317	10Z P 1.2" RH 1.3/8" GEAR	01 01 01
67	0502011324	12Z P 1.2" RH 1.4" GEAR	01 01 01
68	0502011334	14Z P 1.2" RH 1.4" GEAR	01 01 01

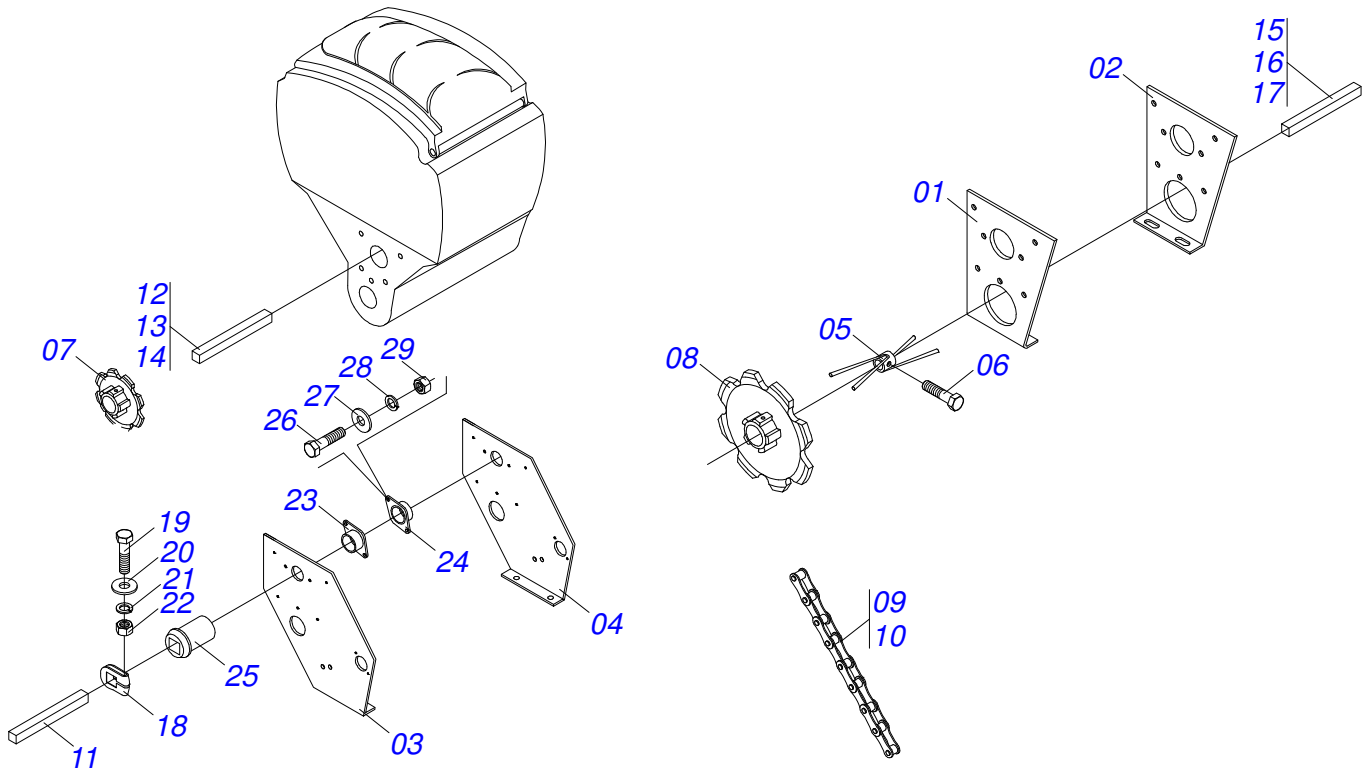
Item	Code	Description	13 16 19
69	0502011345	18Z P 1.25" RH1.3/8" GEAR	01 01 01
70	0502012150	20Z 1-1/4" X 1-3/8" GEAR	01 01 01
71	0502012151	22Z 1-1/4" X 1-3/8" GEAR	01 01 01
72	0503030168	HAIR PIN	01 01 01
73	0503011949	2050 CHAIN X 3 LINK + MENDING	01 01 01
74	0503010876	2050 CHAIN X 45 LINK + MENDING	01 01 01
75	0501040536	BUNCH SPRING	13 16 19
76	0501010497	5/8" SMALLER STAPLE GUIDE	13 16 19
77	0521010670	5/8" FASTENER	26 32 38
78	0621010002	CULTIVATOR HOES	13 16 19



Item	Code	Description	QT
01	0501050255	SLEEVE UNIVERSAL JOINT	01
02	0501050263	UNIVERSAL JOINT	01
03	0501050332	1-20 TERMINAL	01
03A	0502010561	1-20 TERMINAL	01
03B	0521010637	0.5" X 3" COUPLING SHAFT	01
03C	0503010838	0.1" X 0.8" SPRING PIN	01
03D	0503030518	0.5"X1.0"X 0.1" COMPRESSION SPRING	01
04	0503010835	CARDAN CROSSPIECE	02
05	0502010559	2-20 TERMINAL	01
06	0511018902	0.9" X 20" SQUARE SLEEVE	01
07	0503010839	03"X 0.6" SPRING PIN	01
08	0501050257	UNIVERSAL JOINT WITH AXLE	01
09	0501050264	UNIVERSAL JOINT	01
10	0502010562	3-20 TERMINAL	01
11	0502010558	4-20 TERMINAL WITH ROLES	01
12	0511010237	0.9" X 18" SQUARE SHAFT	01
13	0503010301	0.3" X 1.8" SPRING PIN	01
14	0503012089	PROTECTION ASSY	01
14A	0503012090	PROTECTION FOR UNIV JOINT AND SLEEV	01
14B	0503012091	PROTECTION FOR UNIV JOINT AND AXLE	01
14C	0503012023	CHAIN FOR UNIV JOINT PROTECTION	01



Item	Code	Description	QT
01	0502020105	REDUCTION BOX	01
02	0502011557	23Z GEAR	01
03	0502012008	1.4" FLANGE AXLE	01
04	0503010025	3/8 SPRING WASHER	17
05	0503010237	3/8" X 1" BOLT	04
06	0503030063	7,1" X 5,6" X 0,01" JOINT	02
07	0502020103	GEAR LARGER COVER	01
08	0503010751	C3/8" X 1.1/4" HEX BOLT G.5	13
09	0502020100	COVERS WT HOLE BLIND ENDLESS THREAD	01
10	0521012280	SCREW THEAD	01
11	0502020099	COVERS HOLE PASSER ENDLESS THREAD	01
12	0503010077	SEAL 00284-BR	02
13	0503030062	3.9" X 2.5" X 0,01" JOINT	04
14	0502020101	GEAR SMALLER COVER	01
15	0503030061	3,5" X 1,9" X 0,01" JOINT	02
16	0511017907	1/8" BSPT X 6 PLUG	01
17	0503010856	OIL PLUG	01



Item	Code	Description	2CX	3CX	4CX	5CX	6CX
01	0511013459	BOX SUPPORT RIGHT	02	02	04	04	06
02	0511013460	BOX SUPPORT LEFT	02	02	04	04	06
03	0521012333	ODD FIXER RIGHT BOX	00	01	00	01	00
04	0521012334	ODD FIXER LEFT BOX	00	01	00	01	00
05	0501068529	MEXEDOR BODY	02	03	04	05	06
06	0503010237	3/8" X 1" BOLT	02	03	04	05	06
07	0502010146	8Z GEAR	02	04	02	04	06
08	0502010149	18Z GEAR	02	03	02	03	02
09	0503011263	2050 CHAIN X 22 LINK + REDUCTION	02	02	02	02	02
10	0503010450	2050 CHAIN X 30 LINK + REDUCTION	00	01	00	01	00
11	0511014218	3/4" X 28.7" SQUARE SHAFT	02	03	00	01	00
12	0501018697	3/4" X 69" SQUARE SHAFT	00	00	01	00	00
13	0501018698	3/4" X 72" SQUARE SHAFT	00	00	01	02	00
14	0501018701	3/4" X 78" SQUARE SHAFT	00	00	01	00	00
15	0501018702	3/4" X 82" SQUARE SHAFT	00	00	01	00	00
16	0511014238	3/4" X 104" SQUARE SHAFT	00	00	00	00	01
17	0511014237	3/4" X 110" SQUARE SHAFT	00	00	00	00	01
18	0521010691	AXLE FASTENER	10	15	16	21	20
19	0503010373	1/4" X 2" BOLT	10	15	16	21	20
20	0511017303	FLAT WASHER	10	15	16	21	20
21	0503010143	SPRING WASHER	10	15	16	21	20
22	0503010144	1/4" NUT	10	15	16	21	20
23	0511019411	RH BEARING	02	03	04	05	06
24	0521010715	LEFT BEARING	02	03	04	05	06
25	0502010671	CENTRAL BEARING	04	06	08	10	12
26	0503010365	NUT	08	12	16	20	24
27	0501010984	FLAT WASHER	08	12	16	20	24
28	0503010179	SPRING WASHER	08	12	16	20	24
29	0503010337	5/16" NUT	08	12	16	20	24



email: civemasa@civemasa.com.br

www.civemasa.com.br

Phone: +55 16.3382.8222

Fax: +55 16.3382.8355

MARCHESAN IMPLEMENTOS E MÁQUINAS AGRÍCOLAS "TATU" S.A.

Av. Marchesan, 1979 - Post Office box, 131 - Cep 15994-900 - Matão - Sp - Brasil

CNPJ 52.311.289/0001-63 | Inst. Est.441.000.151.114

Technical Publications: Elaboration

LUIZ CANDIDO

Technical Publications: Revision

LUIZ CANDIDO

Contact Catálogo:

E-mail = jgaspari@marchesan.com.br

**ORIGINAIS PARTS
CIVEMASA**