

DISK HARROWS

**GCCRO 7009 MECHANICAL ARTICULATED
AXLE 1.5/8"**

Code: 0501092104
Series: S-0916
Revision: 00
Revision Date: MARÇO/2023

**PARTS
CATALOGUE**


CIVEMASA

PRODUCTS

Code	Description
0121560129	GCCRO 7009 56X28X7,5 DR DMO MEC E 1.5/8 ESP S-0916
0121560128	GCCRO 7009 60X28X7,5 DR DMO MEC E 1.5/8 ESP S-0916
0121560127	GCCRO 7009 64X28X7,5 DR DMO MEC E 1.5/8 ESP S0916
0121560126	GCCRO 7009 68X28X7,5 DR DMO MEC E 1.5/8 ESP S-0916
0121560125	GCCRO 7009 72X28X7,5 DR DMO MEC E 1.5/8 ESP S-0916

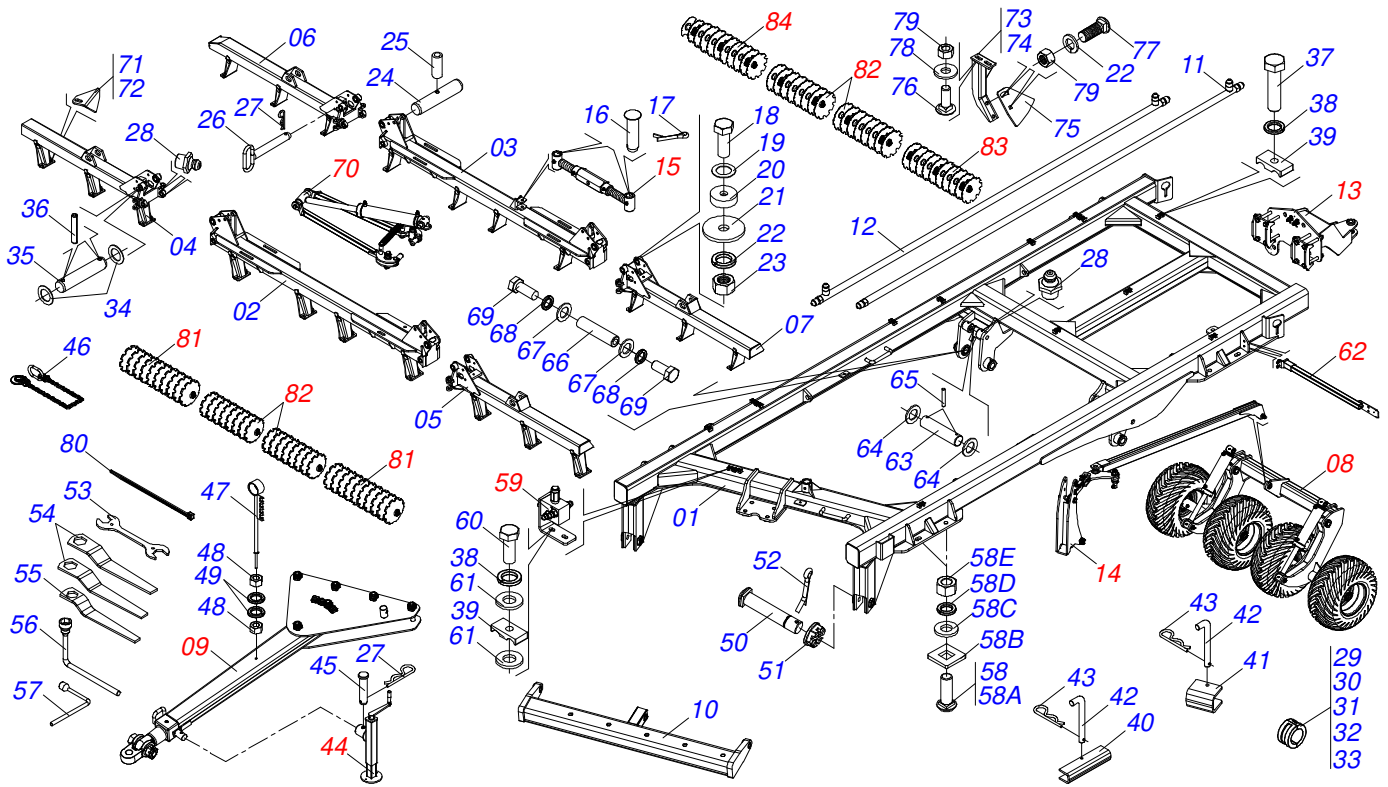
ATTENTION: IMPORTANT

CIVEMASA reserves the right to improve and/or modify the technical features of its products, without obligation to do the same with those products already sold and without prior knowledge of the dealer or the customer. The photos are only illustrative.



INDEX

0909093693	ASSY FRAME	1
0909093678	WHEEL ASSY	2
0501056467	STUB SHAFT & HUB ASSY	3
0503060102	WHEEL AND TIRE	4
0909092741	REAR COUPLING KIT	5
0909093692	HEAD ARTICULATED ASSY	6
0511059199	STABILIZER BAR REGULATOR EXTENSOR	7
0501052005	STABILIZER FOR GANG	8
0511048088	DRAWBAR JACK	9
0511059196	ASSY VALVE	10
0909093685	LANTERN FIXING ASSY	11
0909093679	ARTICULATION ASSY	12
0501057273	PIVOT ARM ASSY	13
0501057274	LH REAR DRIVER ARM	14
0511057940	HYDRAULIC CILINDER	15
0909093687	SECTION BLADES FRONT RIGHT / LEFT SIDE	16
0909093686	FRONT / REAR CENTER DISC SECTION	17
0909093689	LEFT SIDE REAR DISC SECTION	18
0909093688	RIGHT SIDE REAR DISC SECTION	19
0511048374	BEARING DM OL 225 X 1.5/8 OSCILLATING WITH SUPPORT PROTECTION IMP	20
0909092721	HYDRAULIC CIRCUIT FRAME ARTICULATE	21
0909093459	HYDRAULIC CIRCUIT OF THE WHEELS	22
0501053834	MALE QUICK COUPLER	23
0501053835	FEMALE QUICK COUPLER	24



Item	Code	Description	See page	056	060	064	068	072
01	0521066621	FRAME		001	001	001	001	001
02	0521067713	FRONT CENTRAL FRAME		001	001	001	001	001
03	0521067712	REAR CENTRAL FRAME		001	001	001	001	001
04	0521067749	RIGHT SIDE FRONT FRAME - 56D		001	000	000	000	000
04.	0521067754	RIGHT SIDE FRONT FRAME - 60D		000	001	000	000	000
04..	0521067748	RIGHT SIDE FRONT FRAME - 64D		000	000	001	000	000
04...	0521067792	RIGHT SIDE FRONT FRAME - 68D		000	000	000	001	000
04....	0521067795	RIGHT SIDE FRONT FRAME - 72D		000	000	000	000	001
05	0521067750	LEFT SIDE FRONT FRAME - 56D		001	000	000	000	000
05.	0521067753	LEFT SIDE FRONT FRAME - 60D		000	001	000	000	000
05..	0521067747	LEFT SIDE FRONT FRAME - 64D		000	000	001	000	000
05...	0521067791	LEFT SIDE FRONT FRAME - 68D		000	000	000	001	000
05....	0521067796	LEFT SIDE FRONT FRAME - 72D		000	000	000	000	001
06	0521067751	RIGHT SIDE REAR FRAME - 56D		001	000	000	000	000
06.	0521067755	RIGHT SIDE REAR FRAME - 60D		000	001	000	000	000
06..	0521066104	RIGHT SIDE REAR FRAME - 64D		000	000	001	000	000
06...	0521067790	RIGHT SIDE REAR FRAME - 68D		000	000	000	001	000
06....	0521067794	RIGHT SIDE REAR FRAME - 72D		000	000	000	000	001
07	0521067752	LEFT SIDE REAR FRAME - 56D		001	000	000	000	000
07.	0521067756	LEFT SIDE REAR FRAME - 60D		000	001	000	000	000
07..	0521066103	LEFT SIDE REAR FRAME - 64D		000	000	001	000	000
07...	0521067757	LEFT SIDE REAR FRAME - 68D		000	000	000	001	000
07....	0521067793	LEFT SIDE REAR FRAME - 72D		000	000	000	000	001
08	0909093678	WHEEL ASSY	2	001	001	001	001	001
09	0511041592	ASSY TRACTION BAR (PIN 3)		001	001	001	001	001
10	0521066494	HITCH BAR		001	001	001	001	001
11	0521066937	OIL DISTRIBUTOR DUCT		002	002	002	002	002
12	0521066126	DISTRIBUTOR OIL TUBE		002	002	002	002	002
13	0909092741	REAR COUPLING KIT	5	001	001	001	001	001
14	0909093692	HEAD ARTICULATED ASSY	6	001	001	001	001	001
15	0501052005	STABILIZER FOR GANG	8	001	001	001	001	001

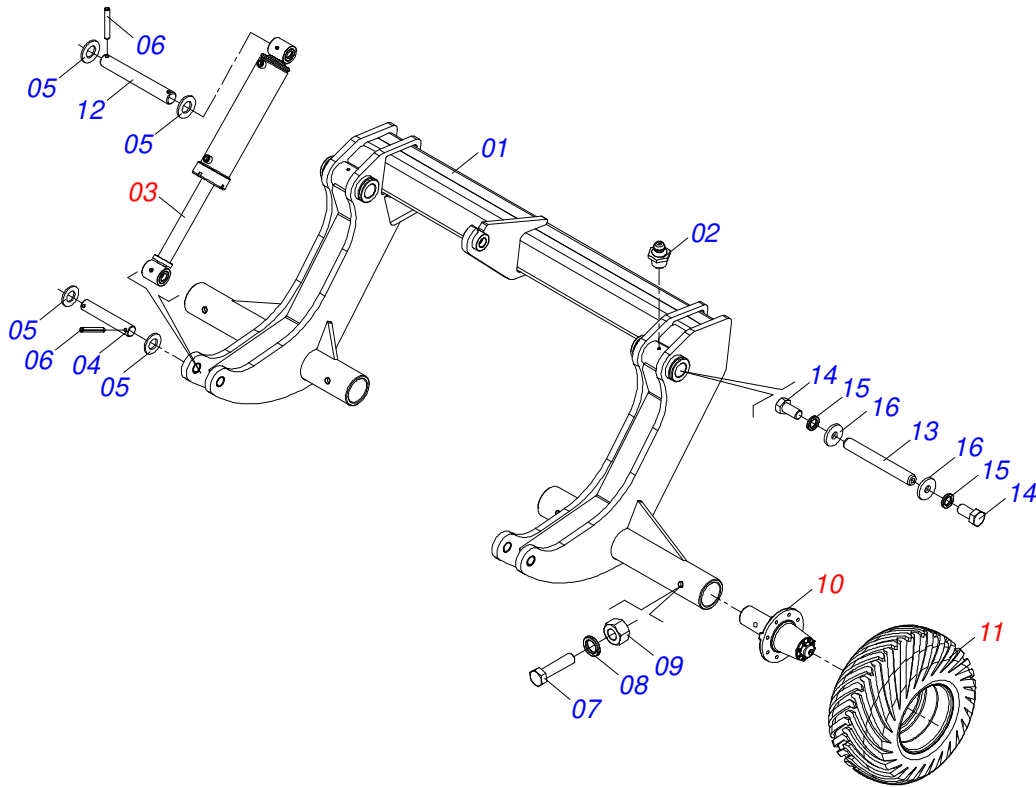
ASSY FRAME

Item	Code	Description	See page	056	060	064	068	072
16	0521010546	1.2" X 5.7" COUPLING SHAFT		002	002	002	002	002
17	0503010523	1/4" X 2" COTTERPIN		002	002	002	002	002
18	0503010233	5/8" X 2-1/2" BOLT		004	004	004	004	004
19	0571010265	16.5 X 40 X 3 FLAT WASHER		004	004	004	004	004
20	0581011153	FRAME BEAT		004	004	004	004	004
21	0571013284	17.5 X 90 X 4.75 FLAT WASHER		004	004	004	004	004
22	0503010027	5/8 SPRING WASHER		086	094	104	102	110
23	0503010013	5/8 NUT		164	180	196	196	212
24	0541016676	1.1/2 X 175 AXLE		004	004	004	004	004
25	0503013662	1/2" X 1" BOLT		004	004	004	004	004
26	0501069463	1" X 8" LOCK PIN		004	004	004	004	004
27	0503030012	HITCH PIN CLIP		005	005	005	005	005
28	0503010002	1800 GREASE FITTING		026	026	026	026	026
29	0501047895	25 ROD STOP		006	006	006	006	006
30	0501047885	30 ROD STOP		003	003	003	003	003
31	0501047886	35 ROD STOP		003	003	003	003	003
32	0501047887	40 ROD STOP		003	003	003	003	003
33	0501047888	45 ROD STOP		003	003	003	003	003
34	0511019776	FLAT WASHER		006	006	006	006	006
35	0521011720	2.0" X 15.7" COUPLING SHAFT		004	004	004	004	004
36	0503011069	0.4" X 2.8" SPRING PIN		006	006	006	006	006
37	0503011135	BOLT		012	012	012	012	012
37.	0503011103	7/16" X 2-1/2" BOLT		002	002	002	002	002
38	0503010180	7/16" SPRING WASHER		016	016	016	016	016
39	0502010477	HOSE CLAMP		018	018	018	018	018
40	0561016693	TRANSPORT LOCK		002	002	002	002	002
41	0581010751	TRANSPORT LOCK		001	001	001	001	001
42	0541016844	FIXER LOCK		003	003	003	003	003
43	0503030285	HITCH PIN CLIP		003	003	003	003	003
44	0511048088	DRAWBAR JACK	9	001	001	001	001	001
45	0561014251	COUPLING SHAFT		001	001	001	001	001
46	0503013150	1300 X 3/8 CHAIN		001	001	001	001	001
47	0521062849	HOSE HOLDER ASSY		001	001	001	001	001
48	0503010023	3/4" SPRING WASHER		015	015	015	015	015
49	0503010014	3/4" HEX NUT		005	005	005	005	005
50	0531018100	37,50 X 200 COUPLING SHAFT		002	002	002	002	002
51	0501011301	1.1/2 UNC 6FPP 2.5/16 NUT		002	002	002	002	002
52	0503010010	1/4" X 2.1/2" COTTERPIN		002	002	002	002	002
53	0541015451	FIXED KEY 2.3/8 X 2.3/4		001	001	001	001	001
54	0501011431	1-3/4" GANG BOLT WRENCH		002	002	002	002	002
55	0501011432	1-1/2" AND 1-5/8 GANG BOLT WRENCH		001	001	001	001	001
56	0503016137	1-1/4" WRENCH CABLE CYLINDER		001	001	001	001	001
57	0503018438	1" WRENCH CYLINDRICAL HEX		001	001	001	001	001
58	0501041102	1-1/4" X 3-3/4" ASSY BOLT		008	008	008	008	008
58A	0501015348	1-1/4" X 3-3/4" BOLT		008	008	008	008	008
58B	0501010953	1-1/4" SQUARE WASHER		008	008	008	008	008
58C	0531010713	FLAT WASHER		008	008	008	008	008
58D	0503010070	SPRING WASHER		008	008	008	008	008
58E	0501010087	1.1/4" NUT		008	008	008	008	008
59	0511059196	ASSY VALVE	10	001	001	001	001	001
60	0503011173	7/16" X 2" BOLT		002	002	002	002	002
61	0501012803	FLAT WASHER		004	004	004	004	004
62	0909093685	LANTERN FIXING ASSY	11	002	002	002	002	002
63	0531018105	1.2" X 11.8" PIVOT SHAFT		002	002	002	002	002
64	0501017779	32 X 60 X 4.75 FLAT WASHER		008	008	008	008	008
65	0503011877	0.3" X 2.4" SPRING PIN		008	008	008	008	008
66	0531018062	COUPLING SHAFT		002	002	002	002	002
67	0521011565	FLAT WASHER		004	004	004	004	004
68	0503010012	1" SPRING WASHER		016	016	016	016	016

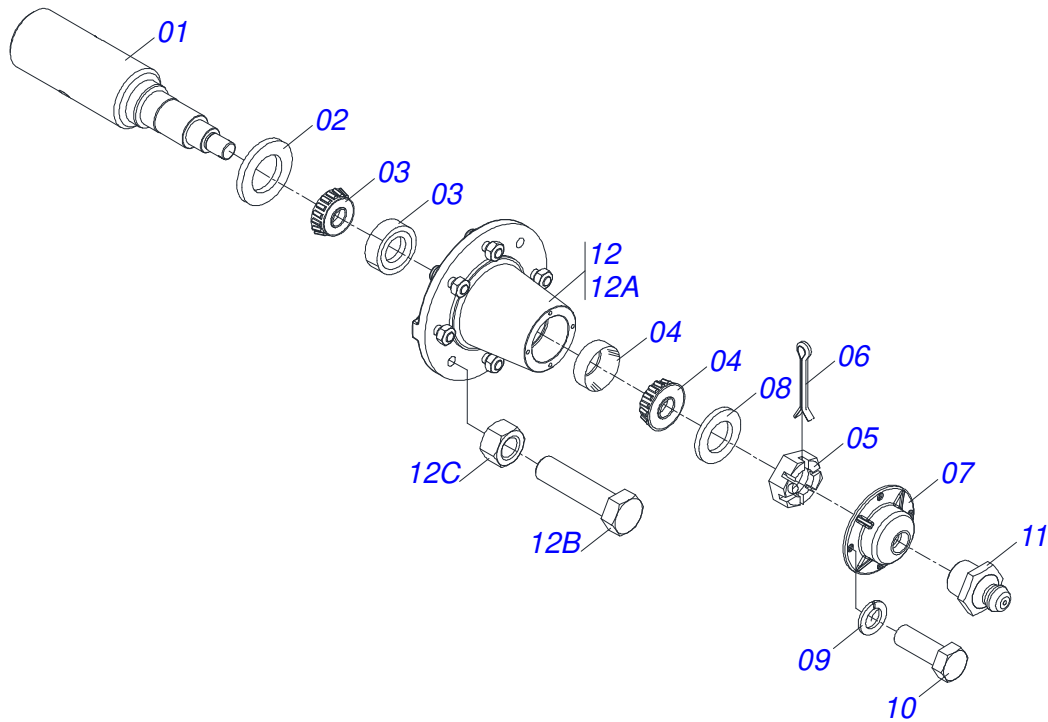
ASSY FRAME

0909093693

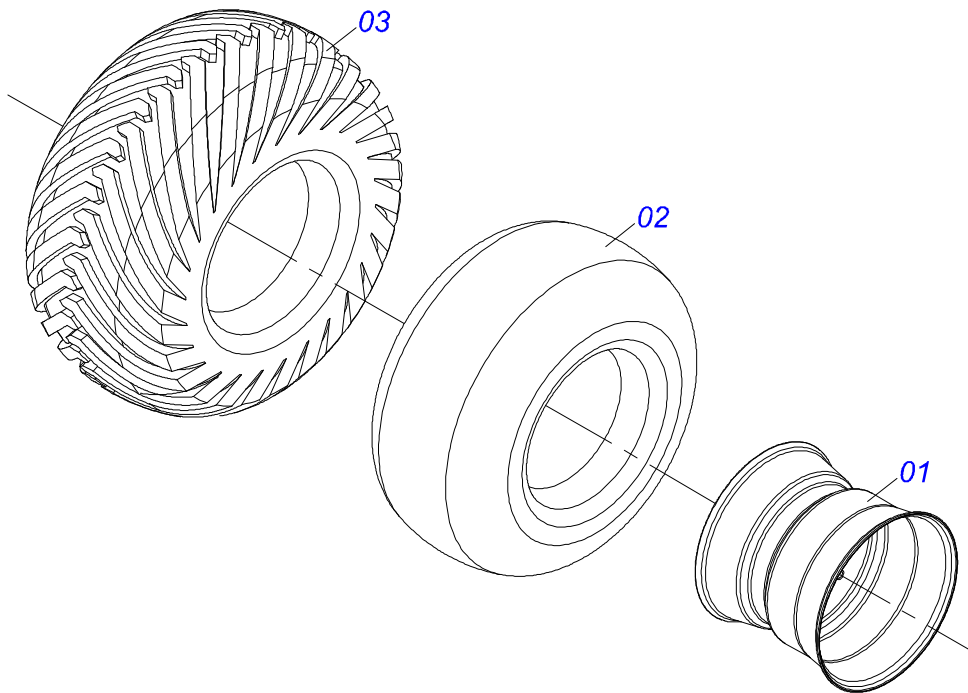
Item	Code	Description	See page	056	060	064	068	072
69	0503011250	1" X 2" BOLT		004	004	004	004	004
70	0909093679	ARTICULATION ASSY	12	004	004	004	004	004
71	0571015395	CLEANER BEARING		008	008	008	010	010
72	0571015396	CLEANER BEARING		008	008	008	010	010
73	0511065926	FRONT SCRAPER SUPPORT		020	022	024	024	026
74	0511065925	REAR SCRAPER SUPPORT		021	023	025	025	027
75	0561014263	CLEANER SHOVEL		041	045	049	049	053
76	0503013842	5/8" UNC X 1-3/4" BOLT		082	090	098	098	106
77	0503012195	5/8" NUT		082	090	098	098	106
78	0501012140	FLAT WASHER		082	090	098	098	106
79	0503010013	5/8 NUT		164	180	196	196	212
80	0503013100	NYLON CLAMP		012	012	012	012	012
81	0909093687	SECTION BLADES FRONT RIGHT / LEFT SIDE	16	001	001	001	001	001
82	0909093686	FRONT / REAR CENTER DISC SECTION	17	001	001	001	001	001
83	0909093689	LEFT SIDE REAR DISC SECTION	18	001	001	001	001	001
84	0909093688	RIGHT SIDE REAR DISC SECTION	19	001	001	001	001	001



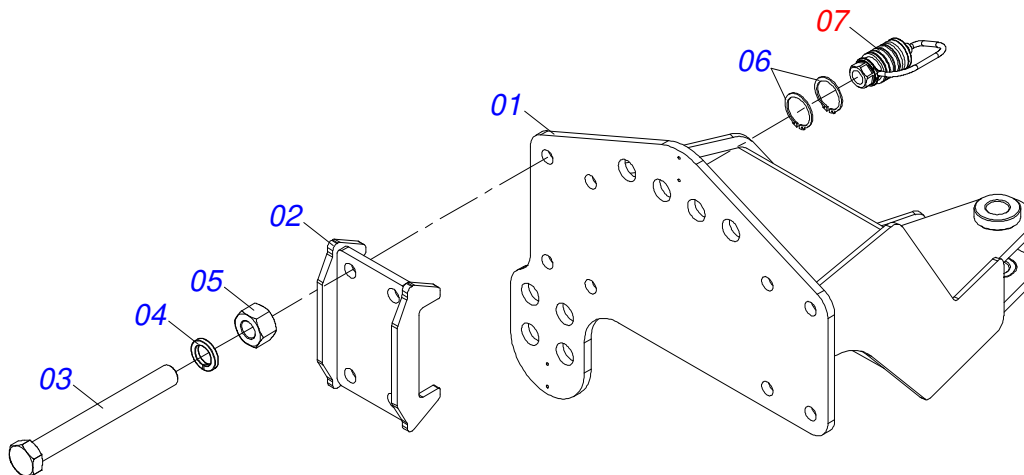
Item	Code	Description	See page	QT
01	0521066478	CARRYNG-WHEELS		01
02	0503010002	1800 GREASE FITTING		02
03	0521051832	HYDRAULIC CYLINDER 53,98 X 114,30 X 654 X 346		02
04	0531018101	1.2" X 6.3" PIVOT SHAFT		02
05	0501017779	32 X 60 X 4.75 FLAT WASHER		08
06	0503011877	0.3" X 2.4" SPRING PIN		08
07	0503011198	C3/4" X 6" SCREW		02
08	0503010023	3/4" SPRING WASHER		02
09	0503010014	3/4" HEX NUT		02
10	0501056467	STUB SHAFT & HUB ASSY	3	02
10.	0531051143	WHEEL WITHOUT TIRE 11.25INX8.62INX10F (HOLE 50)		04
11	0503060102	WHEEL AND TIRE	4	02
12	0531018105	1.2" X 11.8" PIVOT SHAFT		02
13	0531018062	COUPLING SHAFT		02
14	0503011250	1" X 2" BOLT		04
15	0503010012	1" SPRING WASHER		04
16	0521011565	FLAT WASHER		04



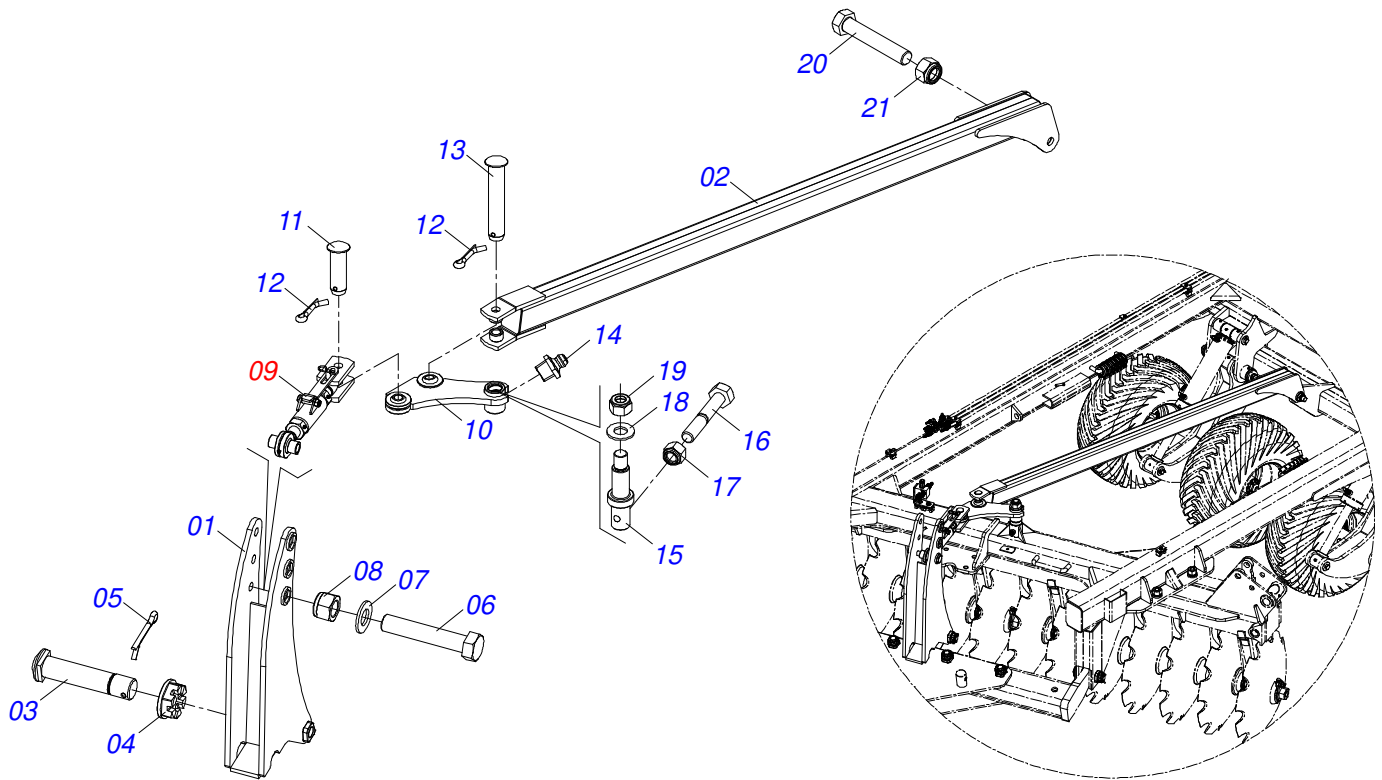
Item	Code	Description	See page	QT
01	0541016566	POINT AXIS 3.1/2 X 375		01
02	0503013314	RETAINER 5166-GB 63,5 X 110 X 13 ARCA		01
03	0503015290	3780/3720 ROLLER BEARING		01
04	0503014821	ROLLER BEARING		01
05	0503830009	1" X 0.9" CASTLE NUT		01
06	0503010018	5/32 X 1-1/2 COTTERPIN		01
07	0502020591	PROTECCION COVER		01
08	0511812492	FLAT WASHER		01
09	0503011444	SPRING WASHER		04
10	0503810358	5/16" X 7/8" UNC BOLT		04
11	0503010002	1800 GREASE FITTING		01
12	0501110738	CARRYING WHEEL HUB		01
12A	0502012260	TRANSPORT WHEEL BOX		01
12B	0501010186	WHEEL SCREW 5/8UNF X 2.1/8CR		08
12C	0503010064	5/8 UNF CONIC NUT		08



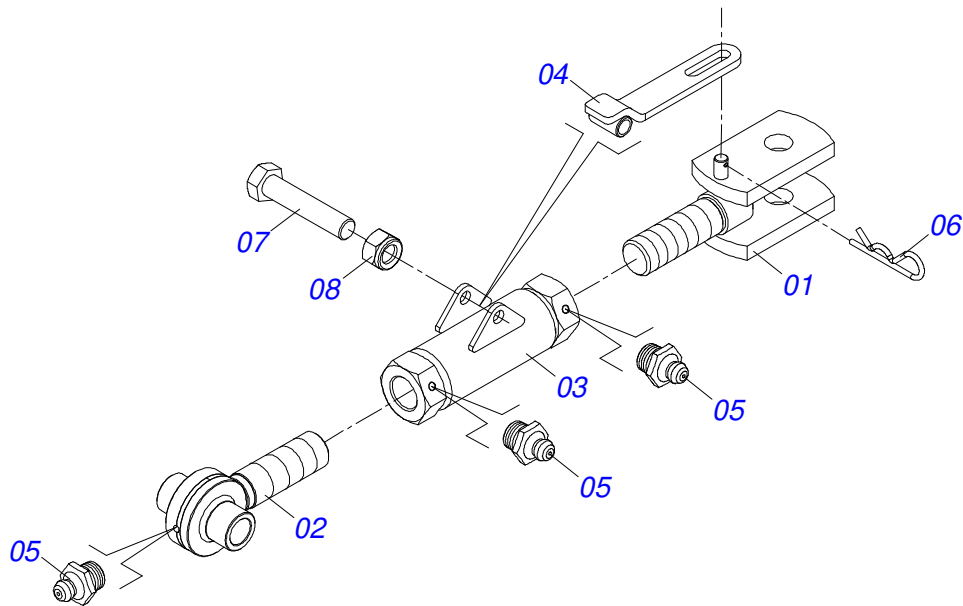
Item	Code	Description	See page	QT
01	0501069483	WHEEL		01
02	0503012112	400/60 - 15.5 TR 15 INNER TIRE		01
03	0503013119	CANVAS TIRE		01



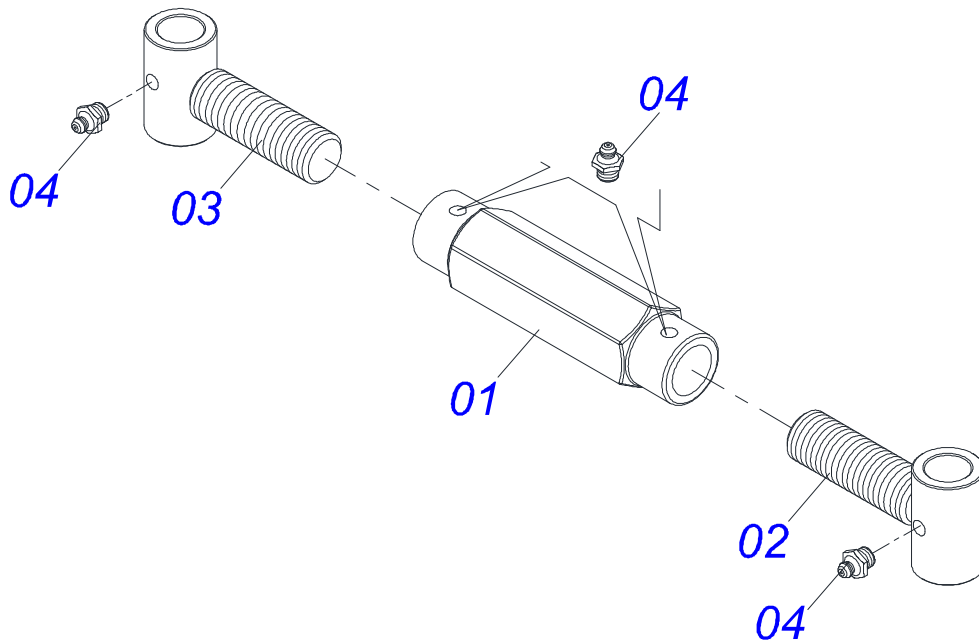
Item	Code	Description	See page	QT
01	0521065966	REAR HITCH		01
02	0521065965	FIXER CLAW		02
03	0501010064	1" X 9" BOLT		08
04	0503010012	1" SPRING WASHER		08
05	0501010059	1.5/8 NUT		08
06	0503010217	501040 CLAMPING RING (FOR AXLE)		04
07	0501053835	FEMALE QUICK COUPLER	24	02



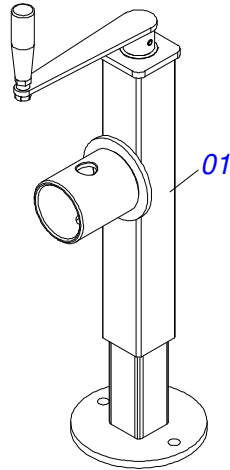
Item	Code	Description	See page	QT
01	0521066758	DRAWBAR ARTICULATOR		01
02	0521066959	STABILIZER BAR		01
03	0521012053	1.5" X 8.6" AXLE		01
04	0501011301	1.1/2 UNC 6FPP 2.5/16 NUT		01
05	0503010010	1/4" X 2.1/2" COTTERPIN		01
06	0521017351	1-1/4" X 8" BOLT		01
07	0501017779	32 X 60 X 4.75 FLAT WASHER		01
08	0503010817	1.1/4" SELF LOCKING NUT		01
09	0511059199	STABILIZER BAR REGULATOR EXTENSOR	7	01
10	0521066960	STABILIZER BAR ARTICULATOR		01
11	0521010780	1.2" X 4.5" COUPLING SHAFT		01
12	0503010523	1/4" X 2" COTTERPIN		02
13	0581811919	AXIS JUNCTION		01
14	0503010002	1800 GREASE FITTING		01
15	0581011775	STABILIZER BAR ARTICULATING PIVOT AXLE		01
16	0501010216	3/4 UNC X 4.1/2 C S G.5 ZN BOLT		01
17	0503011075	3/4" UNC NUT		01
18	0501010287	FLAT WASHER		01
19	0503010290	SELF ADJUSTING 1.1/2" UNF NUT		01
20	0503013321	SCREW 1.1/4 UNF X 7 C S G.8 ZN		01
21	0503010817	1.1/4" SELF LOCKING NUT		01



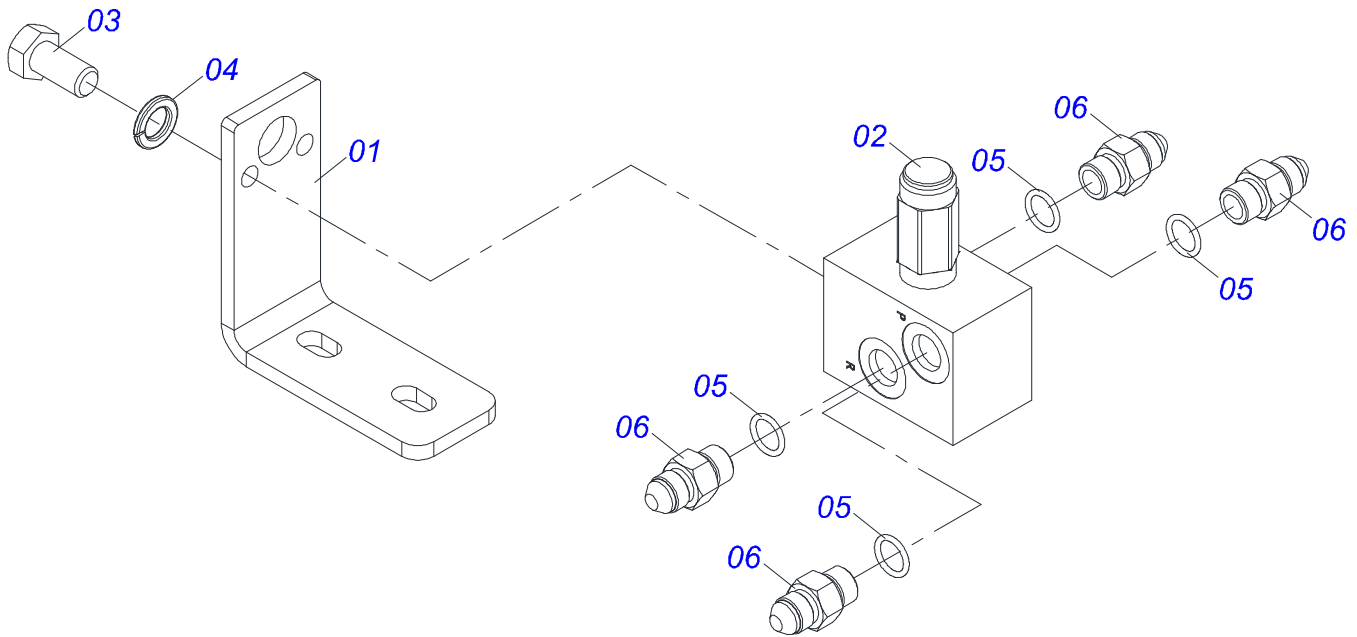
Item	Code	Description	See page	QT
01	0521066962	JACK CRANK C/O. R.1.3/4 ESQUERDO		01
02	0521066965	JACK CRANK NUT FIXER R.1.3/4 UNC DIREITO		01
03	0521066963	ADJUSTMENT NUT R.1.3/4 UNC (245)		01
04	0521066964	STABILIZER TENSOR REGULATOR LEVER		01
05	0503010002	1800 GREASE FITTING		03
06	0503030285	HITCH PIN CLIP		01
07	0503010806	5/8" X 3" BOLT		01
08	0503010878	5/8" SELF ALIGNING NUT		01



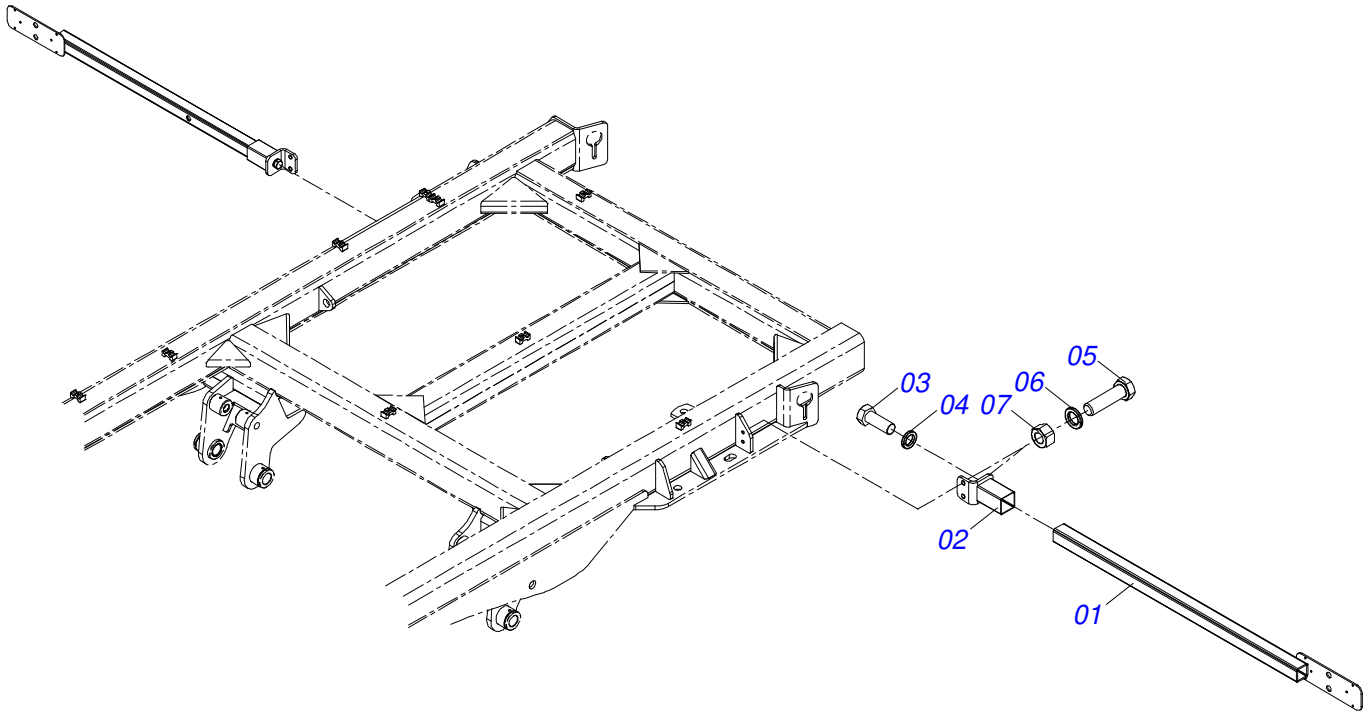
Item	Code	Description	See page	QT
01	0502011469	245 ADJUSTMENT NUT		01
02	0501069416	JACKET		01
03	0501069417	JACK CRANK		01
04	0503010002	1800 GREASE FITTING		04



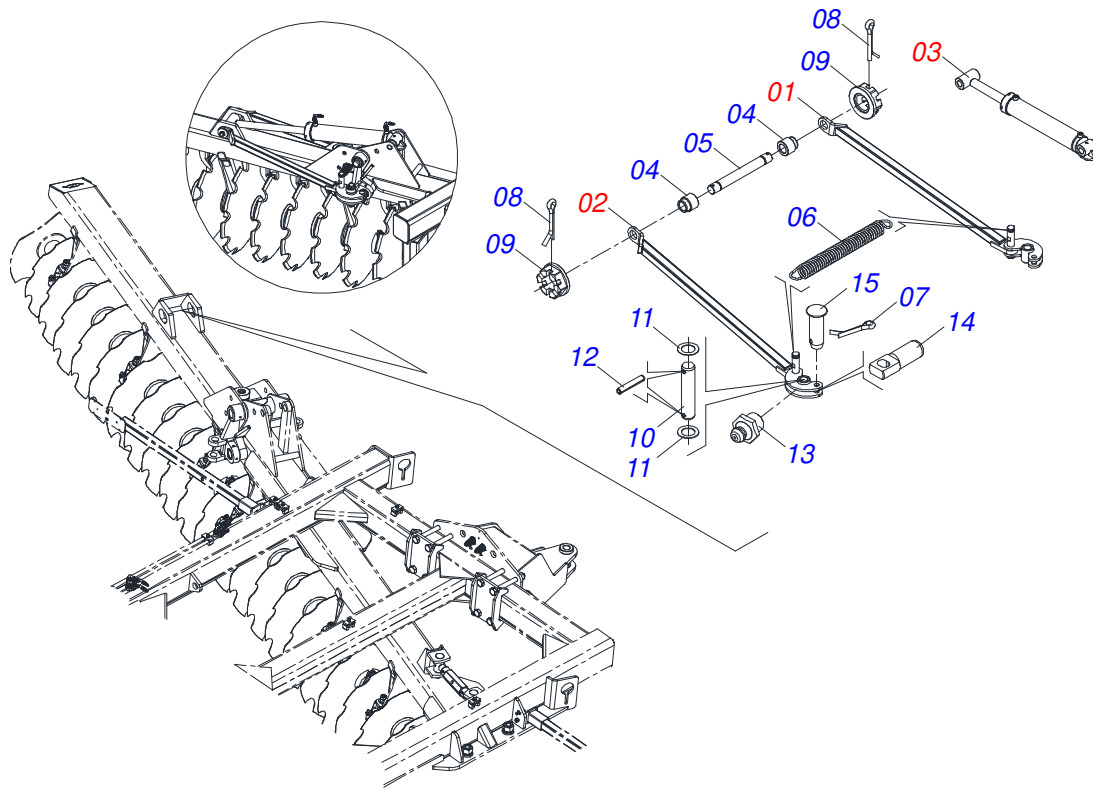
Item	Code	Description	See page	QT
01	0503062227	DRAWBAR JACK		01



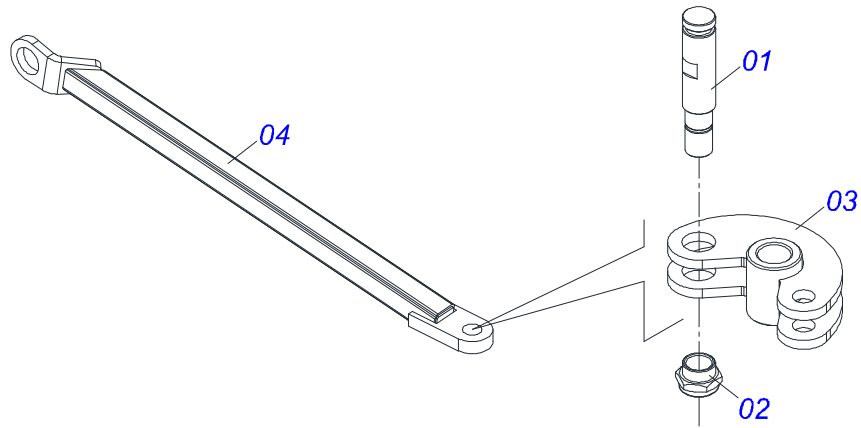
Item	Code	Description	See page	QT
01	0581011745	VALVE SUPPORT		01
02	0503010919	DISCHARGE VALVE		01
03	0503011334	BOLT 3/8 UNC X 3/4 CS G.5 ZN		02
04	0503010025	3/8 SPRING WASHER		02
05	0503010190	2-114 N 3006-9B O'RING		04
06	0501010617	3/4" NIPPLE		04



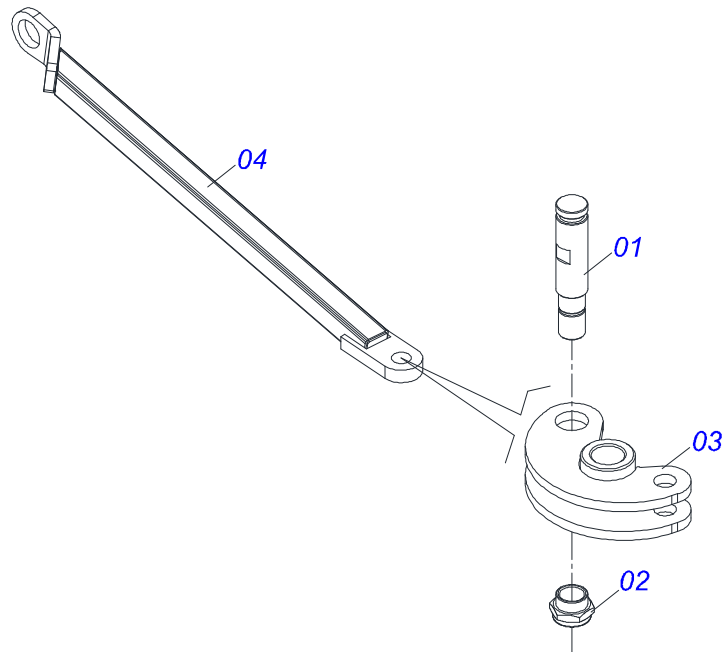
Item	Code	Description	See page	QT
01	0521066443	SUPPORT FIXER LANTERN		02
02	0521066624	FIXER SUPPORT LANTERN		02
03	0501010098	3/4" UNC BOLT		02
04	0503010023	3/4" SPRING WASHER		02
05	0503011082	C1/2" X 1.3/4" SCREW		04
06	0503010019	1/2" SPRING WASHER		04
07	0503010060	1/2 UNC G.5 ZN HEX NUT		04



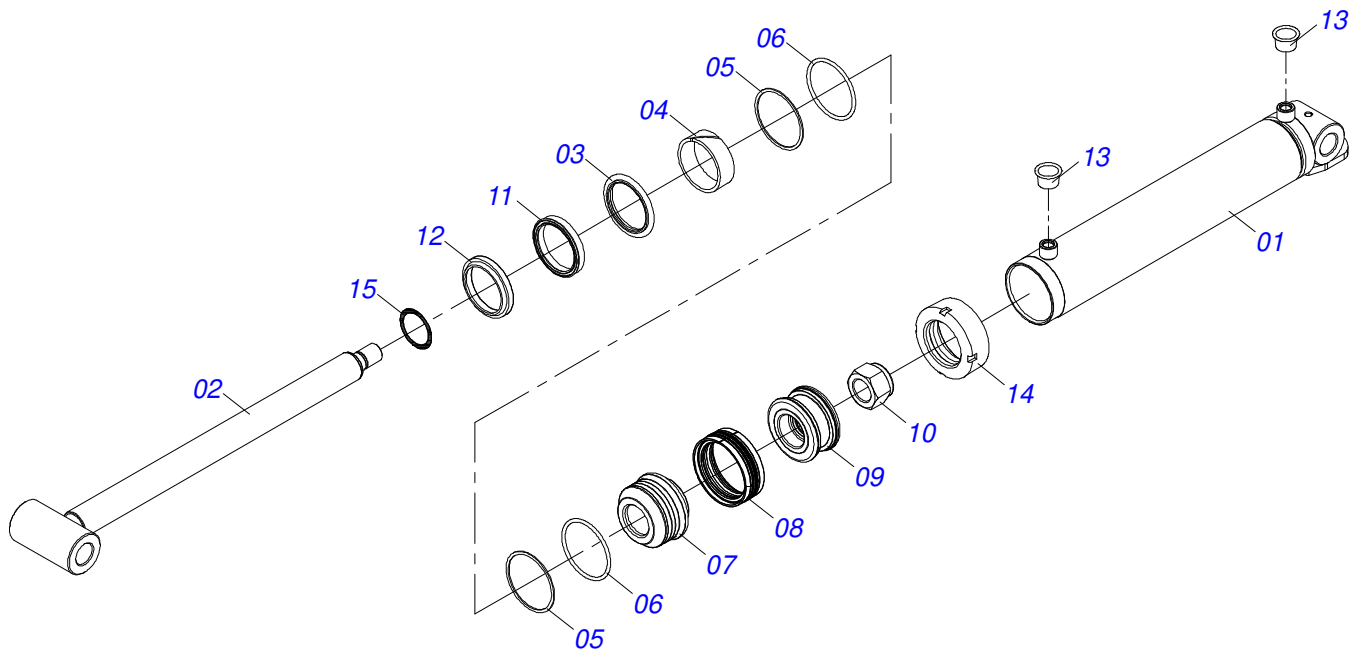
Item	Code	Description	See page	QT
01	0501057273	PIVOT ARM ASSY	13	04
02	0501057274	LH REAR DRIVER ARM	14	04
03	0511057940	HYDRAULIC CILINDER	15	04
04	0541016614	38,20 X 62 X 61 SLEEVE		08
05	0501210091	ARTICULATOR PIVOT AXIS		04
06	0503032537	50,7 X 325 X 6,35 TRACTION SPRING		04
07	0503010571	1/4" X 1.1/2 COTTERPIN		08
08	0503010010	1/4" X 2.1/2" COTTERPIN		08
09	0501011301	1.1/2 UNC 6FPP 2.5/16 NUT		08
10	0541016677	37,20 X 177 COUPLING SHAFT		08
11	0511019685	FLAT WASHER		16
12	0503010361	SPRING PIN		16
13	0503010002	1800 GREASE FITTING		02
14	0541019253	FRAME LOCK AXLE		08
15	0521010572	0.9" X 2.9" COUPLING SHAFT		08



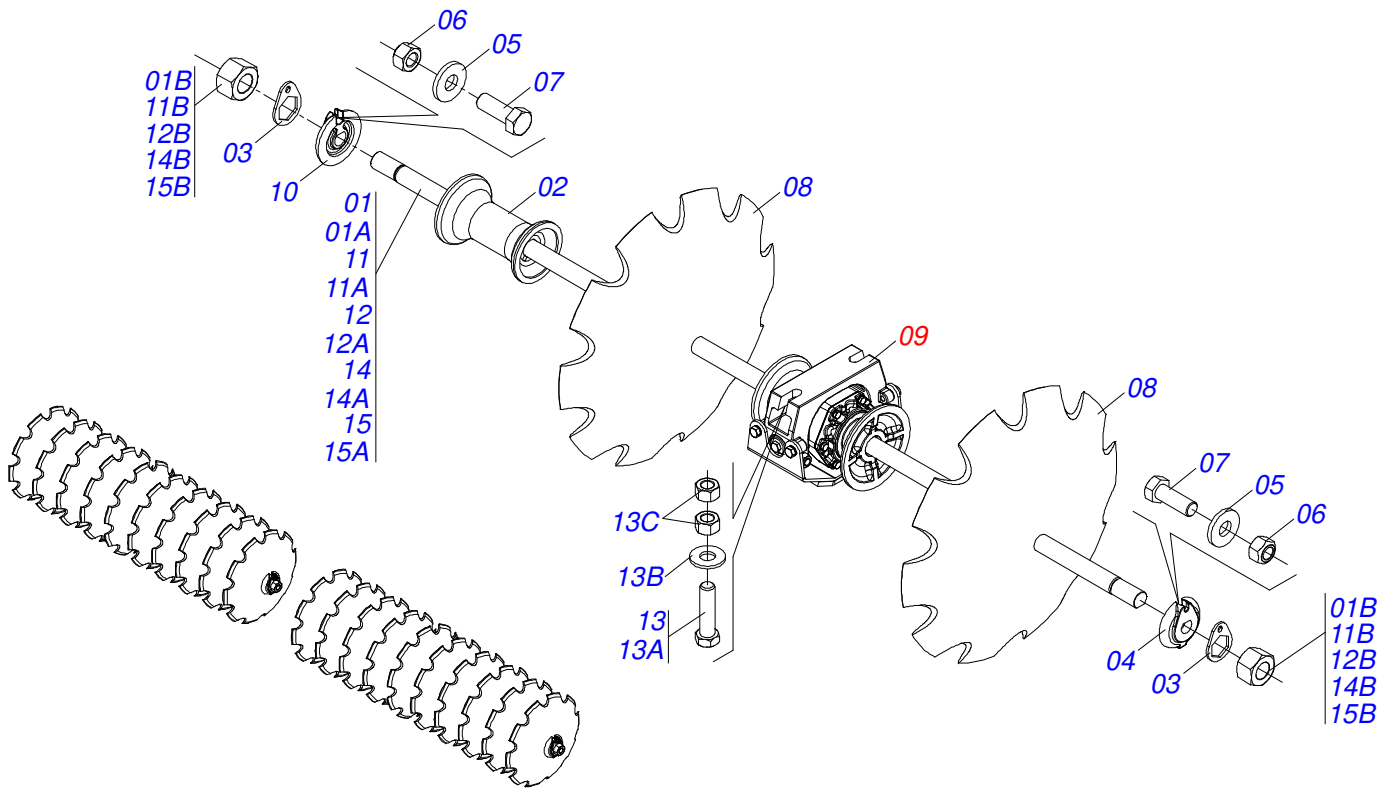
Item	Code	Description	See page	QT
001	0541016749	LOCK AXLE PIVOT		01
002	0541019258	1.1/4 ADJUSTING NUT		01
003	0511066497	LOCK PIVOT		01
004	0511067209	FRONT DRIVER ARM		01



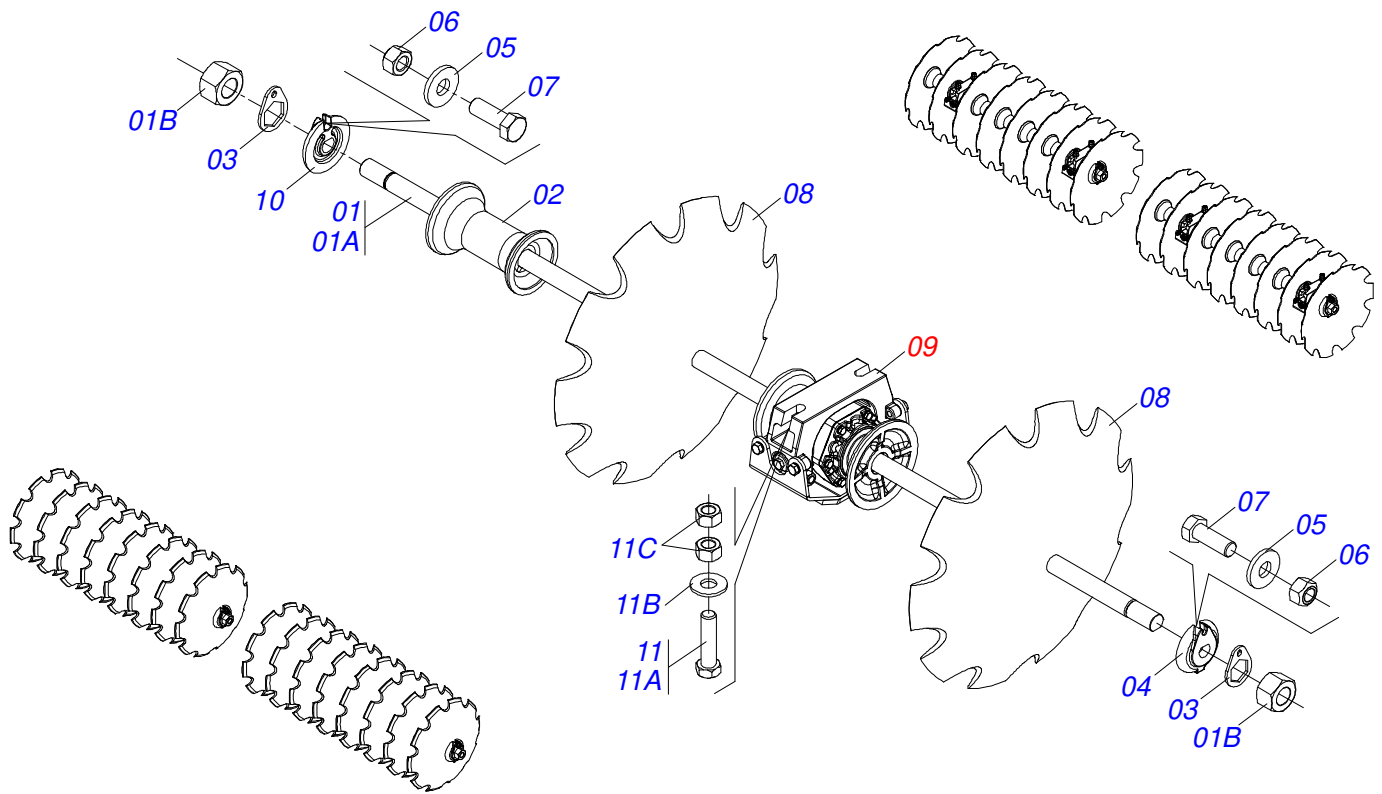
Item	Code	Description	See page	QT
001	0541016749	LOCK AXLE PIVOT		01
002	0541019258	1.1/4 ADJUSTING NUT		01
003	0511066497	LOCK PIVOT		01
004	0511067210	DRIVER ARM		01



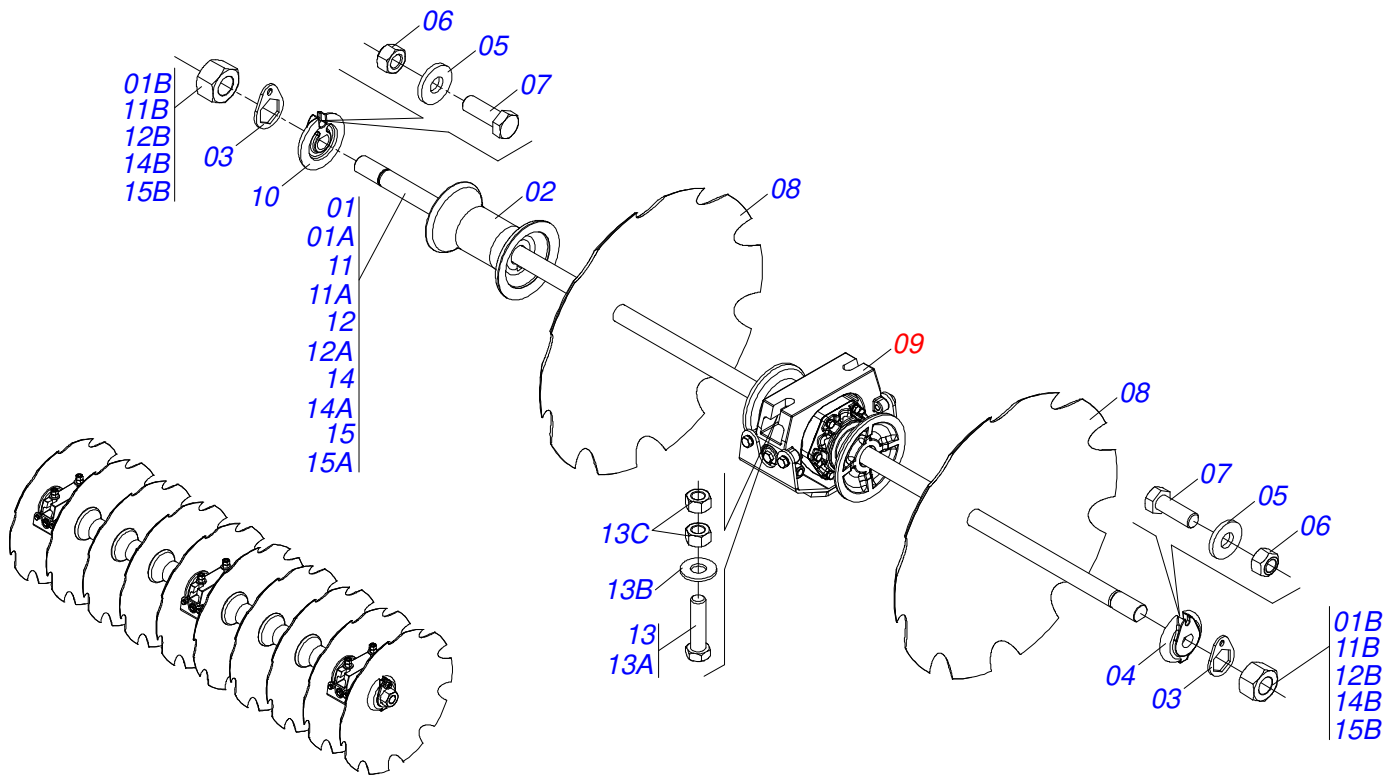
Item	Code	Description	See page	QT
01	0521066447	101,60 X 654,50 X 38,40 CYLINDER CASE		01
02	0521061439	50,80 X 751,50 X 38,40 TURNBUCKLE		01
03	0503018024	RING BS		01
04	0503018025	RING GUIDE		01
05	0503011061	8-342 BACK-UP RING		02
06	0503010338	2-342 N 3006-9B O'RING		02
07	0502012821	50.80 X 101.60 RING SUPPORT		01
08	0503015633	SELEMASTER SEALING		01
09	0502012820	50,80 X 101,60 PISTON		01
10	0503010817	1.1/4" SELF LOCKING NUT		01
11	0503018026	1870-2000-375 B GASKET		01
12	0503010039	D-2000 SCRAPER RING		01
13	0503030384	CON PLUG N-001		02
14	0502010017	4" HEAD		01
15	0503018029	2-217 O'RING		01
16	0511034303	HYDRAULIC CYLINDER REPAIR KIT (051 1057940)		01



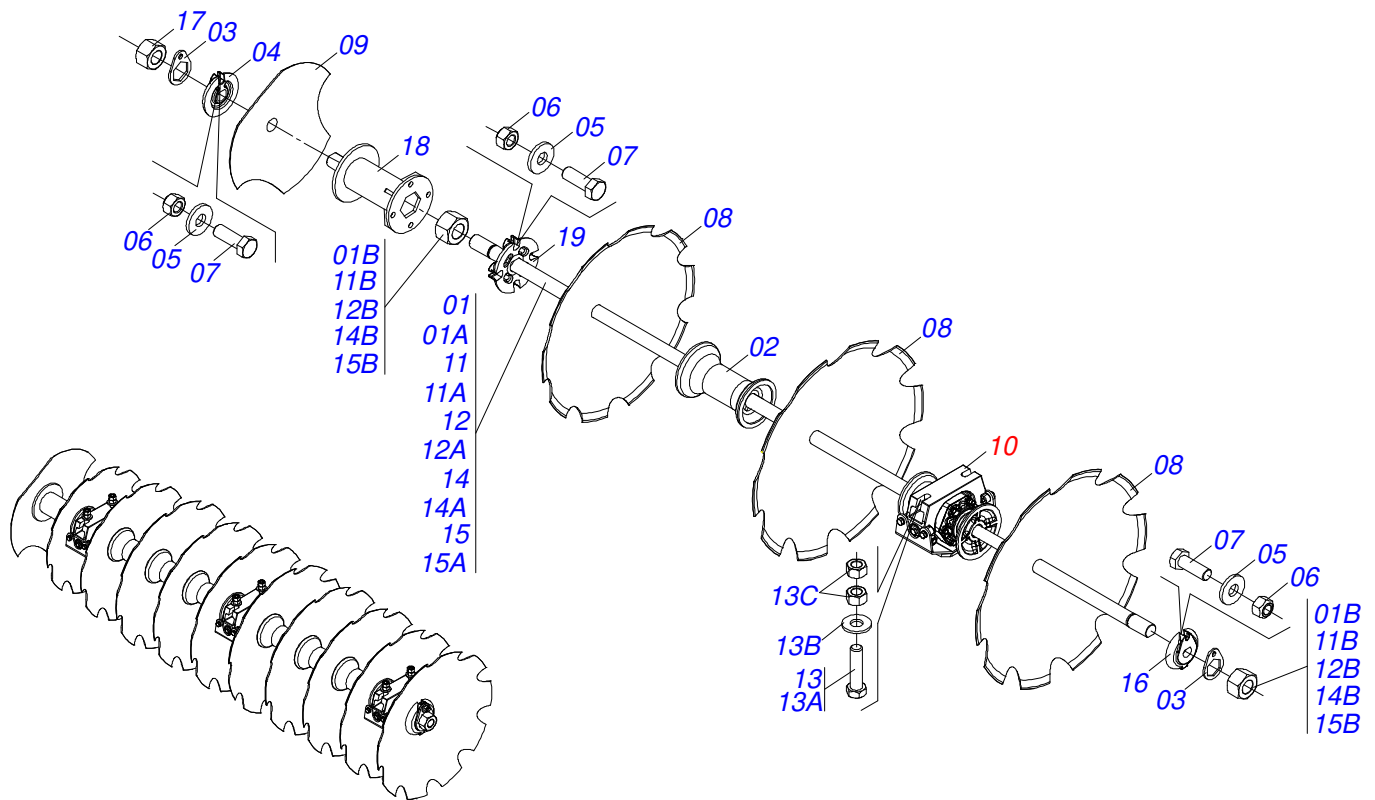
Item	Code	Description	See page	056	060	064	068	072
01	0511055728	1.5/8 7FPP X 2237 AXLE		000	000	000	000	002
01A	0571016559	1.5/8" X 7FPP X 2237 AXLE		000	000	000	000	002
01B	0502040640	1.5/8" 2.3/4" NUT		000	000	000	000	004
02	0502010626	8.9" 1-5/8" SPACER		006	008	010	012	012
03	0511014339	1-5/8" 2.8" NUT LOCK		004	004	004	004	004
04	0502011048	1-5/8" EXTERNAL AXLE WASHER		002	002	002	002	002
05	0501012140	FLAT WASHER		004	004	004	004	004
06	0503012412	5/8" UNC SELF LOCKING NUT		004	004	004	004	004
07	0503010232	5/8" X 1.3/4" BOLT		004	004	004	004	004
08	0602037829	DR28X7,5 C102AF02FR1.11/16 10R TATU		012	014	016	018	020
09	0511048374	BEARING DM OL 225 X 1.5/8 OSCILLATING WITH 20 SUPPORT PROTECTION IMP		004	004	004	006	006
10	0502011047	1-5/8" INNER AXLE WASHER		002	002	002	002	002
11	0501046855	1-5/8" X 52" AXLE WITH NUTS 2-3/4		002	000	000	000	000
11A	0501015237	1-5/8" X 52" AXLE		002	000	000	000	000
11B	0502040640	1.5/8" 2.3/4" NUT		004	000	000	000	000
12	0501046857	1-5/8" X 61" AXLE WITH NUTS 2-3/4"		000	002	000	000	000
12A	0501015632	1-5/8" X 61" AXLE		000	002	000	000	000
12B	0502040640	1.5/8" 2.3/4" NUT		000	004	000	000	000
13	0521047424	SCREW ASSY		008	008	008	012	012
13A	0501010500	3/4"X3"BOLT		008	008	008	012	012
13B	0501010322	FLAT WASHER		008	008	008	012	012
13C	0503012183	SNC 3/4" ZIN 1K03097 NUT		016	016	016	024	024
14	0501046859	1-5/8" X 70" AXLE WITH NUTS 2-3/4"		000	000	002	000	000
14A	0501015631	1-5/8" X 70" AXLE		000	000	002	000	000
14B	0502040640	1.5/8" 2.3/4" NUT		000	000	004	000	000
15	0501046860	1-5/8" X 79" AXLE WITH NUTS 2-3/4"		000	000	000	002	000
15A	0501015329	1-5/8 X 79" AXLE		000	000	000	002	000
15B	0502040640	1.5/8" 2.3/4" NUT		000	000	000	004	000



Item	Code	Description	See page	056	060	064	068	072
01	0501046859	1-5/8" X 70" AXLE WITH NUTS 2-3/4"		004	004	004	004	004
01A	0501015631	1-5/8" X 70" AXLE		004	004	004	004	004
01B	0502840640	1.5/8" 2.3/4" NUT		008	008	008	008	008
02	0502010626	8.9" 1-5/8" SPACER		020	020	020	020	020
03	0511014339	1-5/8" 2.8" NUT LOCK		008	008	008	008	008
04	0502011048	1-5/8" EXTERNAL AXLE WASHER		004	004	004	004	004
05	0501012140	FLAT WASHER		008	008	008	008	008
06	0503012412	5/8" UNC SELF LOCKING NUT		008	008	008	008	008
07	0503010232	5/8" X 1.3/4" BOLT		008	008	008	008	008
08	0602037829	DR28X7,5 C102AF02FR1.11/16 10R TATU		032	032	032	032	032
09	0511048374	BEARING DM OL 225 X 1.5/8 OSCILLATING WITH 20 SUPPORT PROTECTION IMP		008	008	008	008	008
10	0502012221	1-1/2" INNER AXLE WASHER		004	004	004	004	004
11	0521047424	SCREW ASSY		016	016	016	016	016
11A	0501010500	3/4"X3"BOLT		016	016	016	016	016
11B	0501010322	FLAT WASHER		016	016	016	016	016
11C	0503012183	SNC 3/4" ZIN 1K03097 NUT		032	032	032	032	032

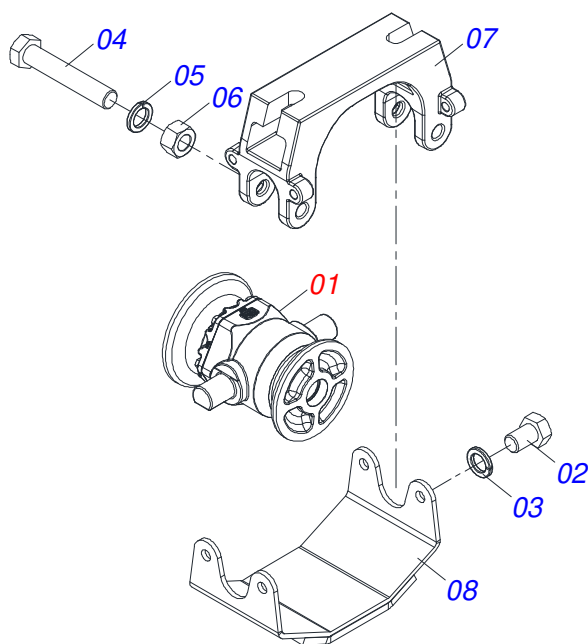


Item	Code	Description	See page	056	060	064	068	072
01	0511055728	1.5/8 7FPP X 2237 AXLE		000	000	000	000	001
01A	0571016559	1.5/8" X 7FPP X 2237 AXLE		000	000	000	000	001
01B	0502040640	1.5/8" 2.3/4" NUT		000	000	000	000	002
02	0502010626	8.9" 1-5/8" SPACER		003	004	005	006	006
03	0511014339	1-5/8" 2.8" NUT LOCK		002	002	002	002	002
04	0502011047	1-5/8" INNER AXLE WASHER		001	001	001	001	001
05	0501012140	FLAT WASHER		002	002	002	002	002
06	0503012412	5/8" UNC SELF LOCKING NUT		002	002	002	002	002
07	0503010232	5/8" X 1.3/4" BOLT		002	002	002	002	002
08	0602037829	DR28X7,5 C102AF02FR1.11/16 10R TATU		006	007	008	009	010
09	0511048374	BEARING DM OL 225 X 1.5/8 OSCILLATING WITH 20 SUPPORT PROTECTION IMP		002	002	002	003	003
10	0502011048	1-5/8" EXTERNAL AXLE WASHER		001	001	001	001	001
11	0501046855	1-5/8" X 52" AXLE WITH NUTS 2-3/4		001	000	000	000	000
11A	0501015237	1-5/8" X 52" AXLE		001	000	000	000	000
11B	0502040640	1.5/8" 2.3/4" NUT		002	000	000	000	000
12	0501046857	1-5/8" X 61" AXLE WITH NUTS 2-3/4"		000	001	000	000	000
12A	0501015632	1-5/8" X 61" AXLE		000	001	000	000	000
12B	0502040640	1.5/8" 2.3/4" NUT		000	002	000	000	000
13	0521047424	SCREW ASSY		004	004	004	006	006
13A	0501010500	3/4"X3"BOLT		004	004	004	006	006
13B	0501010322	FLAT WASHER		004	004	004	006	006
13C	0503012183	SNC 3/4" ZIN 1K03097 NUT		008	008	008	012	012
14	0501046859	1-5/8" X 70" AXLE WITH NUTS 2-3/4"		000	000	001	000	000
14A	0501015631	1-5/8" X 70" AXLE		000	000	001	000	000
14B	0502040640	1.5/8" 2.3/4" NUT		000	000	002	000	000
15	0501046860	1-5/8" X 79" AXLE WITH NUTS 2-3/4"		000	000	000	001	000
15A	0501015329	1-5/8 X 79" AXLE		000	000	000	001	000
15B	0502040640	1.5/8" 2.3/4" NUT		000	000	000	002	000

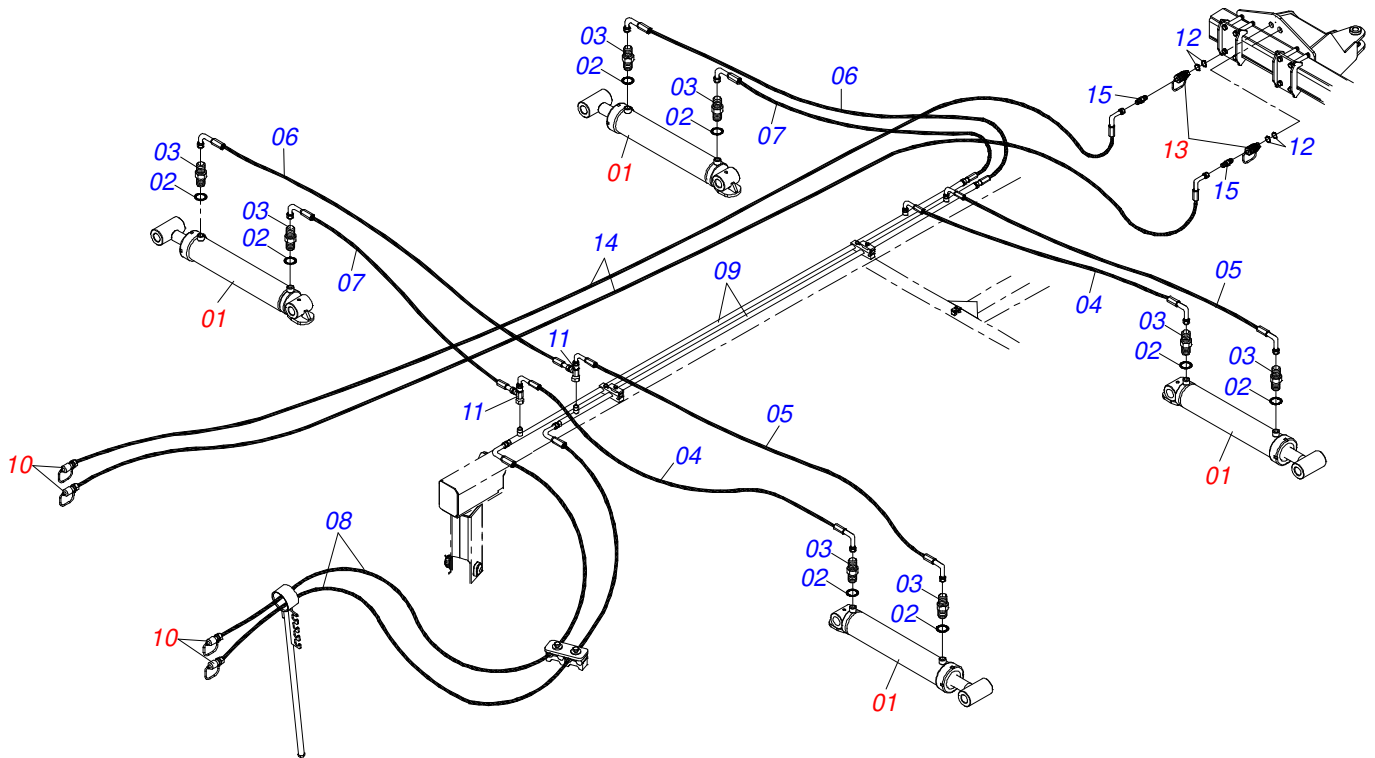


Item	Code	Description	See page	056	060	064	068	072
01	0511055728	1.5/8 7FPP X 2237 AXLE		000	000	000	000	001
01A	0571016559	1.5/8" X 7FPP X 2237 AXLE		000	000	000	000	001
01B	0502040640	1.5/8" 2.3/4" NUT		000	000	000	000	002
02	0502010626	8.9" 1-5/8" SPACER		003	004	005	006	006
03	0511014339	1-5/8" 2.8" NUT LOCK		002	002	002	002	002
04	0502011048	1-5/8" EXTERNAL AXLE WASHER		001	001	001	001	001
05	0501012140	FLAT WASHER		002	002	002	002	002
06	0503012412	5/8" UNC SELF LOCKING NUT		002	002	002	002	002
07	0503010232	5/8" X 1.3/4" BOLT		002	002	002	002	002
08	0602037829	DR28X7,5 C102AF02FR1.11/16 10R TATU		006	007	008	009	010
08.	0602033145	DR26X7,5 C89AF02FR42,86 10REC ROME		001	001	001	001	001
08..	0602030424	DR24X7,5 C85AF02FR1.11/16 10REC		001	001	001	001	001
09	0602029301	22" X 0.2" NOTCHED DISC BLADE		001	001	000	001	001
09.	0602029360	DR22X6 C69AF02FR1.11/16 03REC TATU		000	000	001	000	000
10	0511048374	BEARING DM OL 225 X 1.5/8 OSCILLATING WITH 20 SUPPORT PROTECTION IMP		002	002	002	003	003
11	0501046855	1-5/8" X 52" AXLE WITH NUTS 2-3/4		001	000	000	000	000
11A	0501015237	1-5/8" X 52" AXLE		001	000	000	000	000
11B	0502040640	1.5/8" 2.3/4" NUT		002	000	000	000	000
12	0501046857	1-5/8" X 61" AXLE WITH NUTS 2-3/4"		000	001	000	000	000
12A	0501015632	1-5/8" X 61" AXLE		000	001	000	000	000
12B	0502040640	1.5/8" 2.3/4" NUT		000	002	000	000	000
13	0521047424	SCREW ASSY		004	004	004	006	006
13A	0501010500	3/4"X3"BOLT		004	004	004	006	006
13B	0501010322	FLAT WASHER		004	004	004	006	006
13C	0503012183	SNC 3/4" ZIN 1K03097 NUT		008	008	008	012	012
14	0501046859	1-5/8" X 70" AXLE WITH NUTS 2-3/4"		000	000	001	000	000
14A	0501015631	1-5/8" X 70" AXLE		000	000	001	000	000
14B	0502040640	1.5/8" 2.3/4" NUT		000	000	002	000	000
15	0501046860	1-5/8" X 79" AXLE WITH NUTS 2-3/4"		000	000	000	001	000
15A	0501015329	1-5/8 X 79" AXLE		000	000	000	001	000
15B	0502040640	1.5/8" 2.3/4" NUT		000	000	000	002	000

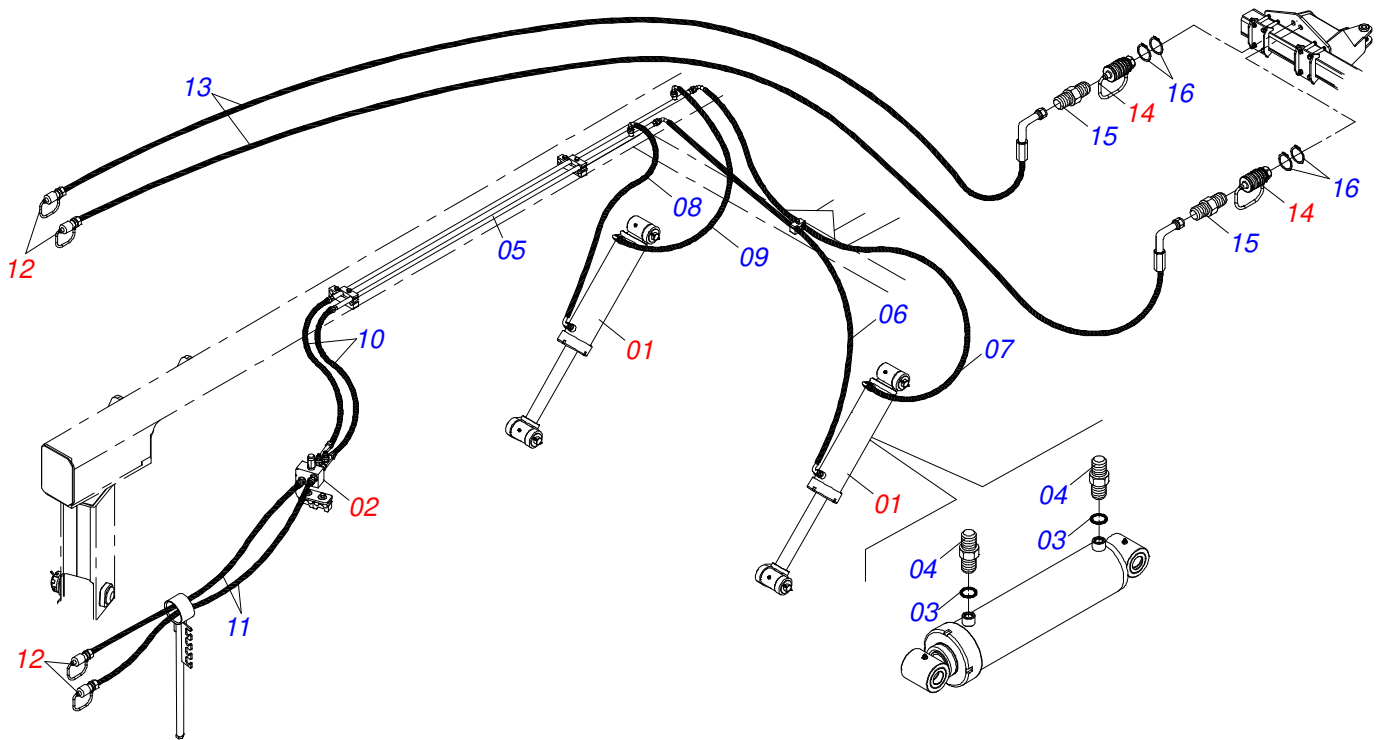
Item	Code	Description	See page	056	060	064	068	072
16	0502011047	1-5/8" INNER AXLE WASHER		001	001	001	001	001
17	0502040640	1.5/8" 2.3/4" NUT		001	001	001	001	001
18	0521064277	186 SPACER		001	001	001	001	001
19	0502012377	1-5/8" EXTERNAL AXLE LOK		001	001	001	001	001



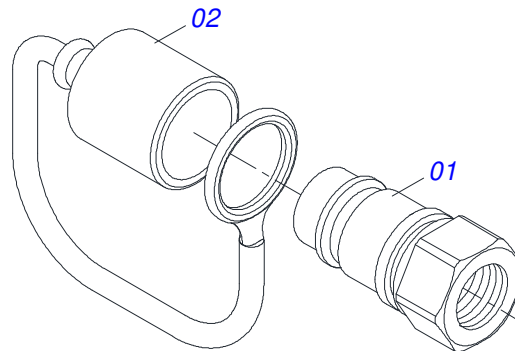
Item	Code	Description	See page	QT
01	0501059734	225 OSCILLATING BEARING		01
02	0503010834	1/2 X 1 BOLT		04
03	0503010019	1/2" SPRING WASHER		04
04	0503010762	SCREW 5/8 UNC X 3.1/2 CS G.5 ZN		02
05	0503010027	5/8 SPRING WASHER		02
06	0503010013	5/8 NUT		02
07	0502012626	CENTER OSCILLATING BEARING SUPPORT		01
08	0521069156	BOOST BEARING COVER		01



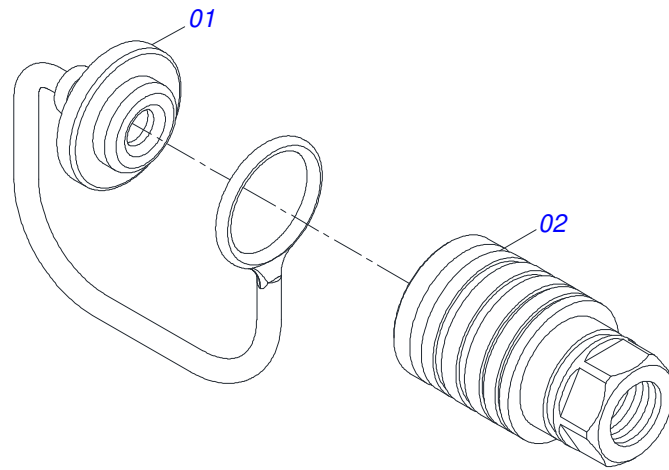
Item	Code	Description	See page	QT
01	0511057940	HYDRAULIC CILINDER	15	04
02	0503010190	2-114 N 3006-9B O'RING		08
03	0501010617	3/4" NIPPLE		08
04	0501080749	3/8" X 141" TC-TC HOSE		02
05	0501080751	3/8" X 4200 TC-TC HOSE		02
06	0501080412	3/8" X 90.55" TR-TC HOSE		02
07	0501080461	3/8" X 70" TR-TC HOSE		02
08	0501080850	3/8" X 240" TC-TM HOSE		02
09	0521066126	DISTRIBUTOR OIL TUBE		02
10	0501053834	MALE QUICK COUPLER	23	04
11	0503011968	3/4" 8R6X-S T ADAPTER WITH SWIVEL NUT		04
12	0503010217	501040 CLAMPING RING (FOR AXLE)		04
13	0501053835	FEMALE QUICK COUPLER	24	02
14	0501081322	3/8" X 11500 TC-TM HOSE		02
15	0571015342	3/4" NIPPLE		02



Item	Code	Description	See page	QT
01	0521051832	HYDRAULIC CYLINDER 53,98 X 114,30 X 654 X 346		02
02	0511059196	ASSY VALVE	10	01
03	0503010190	2-114 N 3006-9B O'RING		04
04	0501010617	3/4" NIPPLE		04
05	0521066937	OIL DISTRIBUTOR DUCT		02
06	0501080370	TC-TC HOSE ASSY		01
07	0501080644	3/8" X 78.7" TC-TC HOSE ASSY		01
08	0501080065	3/8" X 47" TC-TC HOSE		01
09	0501082058	HOSE 3/8 X 800 TC-TC		01
10	0501080106	3/8" X 31" TR-TR HOSE		02
11	0501080205	3/8" X 216" TR-TM HOSE		02
12	0501053834	MALE QUICK COUPLER	23	04
13	0501081322	3/8" X 11500 TC-TM HOSE		02
14	0501053835	FEMALE QUICK COUPLER	24	02
15	0571015342	3/4" NIPPLE		02
16	0503010217	501040 CLAMPING RING (FOR AXLE)		04



Item	Code	Description	See page	QT
01	0503011627	MALE QUICK COUPLER AGR 1/2 NPT		01
02	0503011882	MALE QUICK COUPLER CAP		01



Item	Code	Description	See page	QT
01	0503011883	QUICK CONNECTION COVER		01
02	0503011628	FEMALE QUICK COUPLER		01



civemasa

Technical Publications | Elaboration and Revision

ALESSANDRA PATRICIA KAWAHARA CARRILI

www.civemasa.com.br

