

PARTS CATALOGUE

LIME AND FERTILIZER SPREADER

DFSC 10.5 MC WITH HYDRAULIC OPERATION

Code: 0501092069



Series: S-0114

Review: NOVEMBRO/2017

**ORIGINAL PARTS
CIVEMASA**

civemasa

PRODUCTS

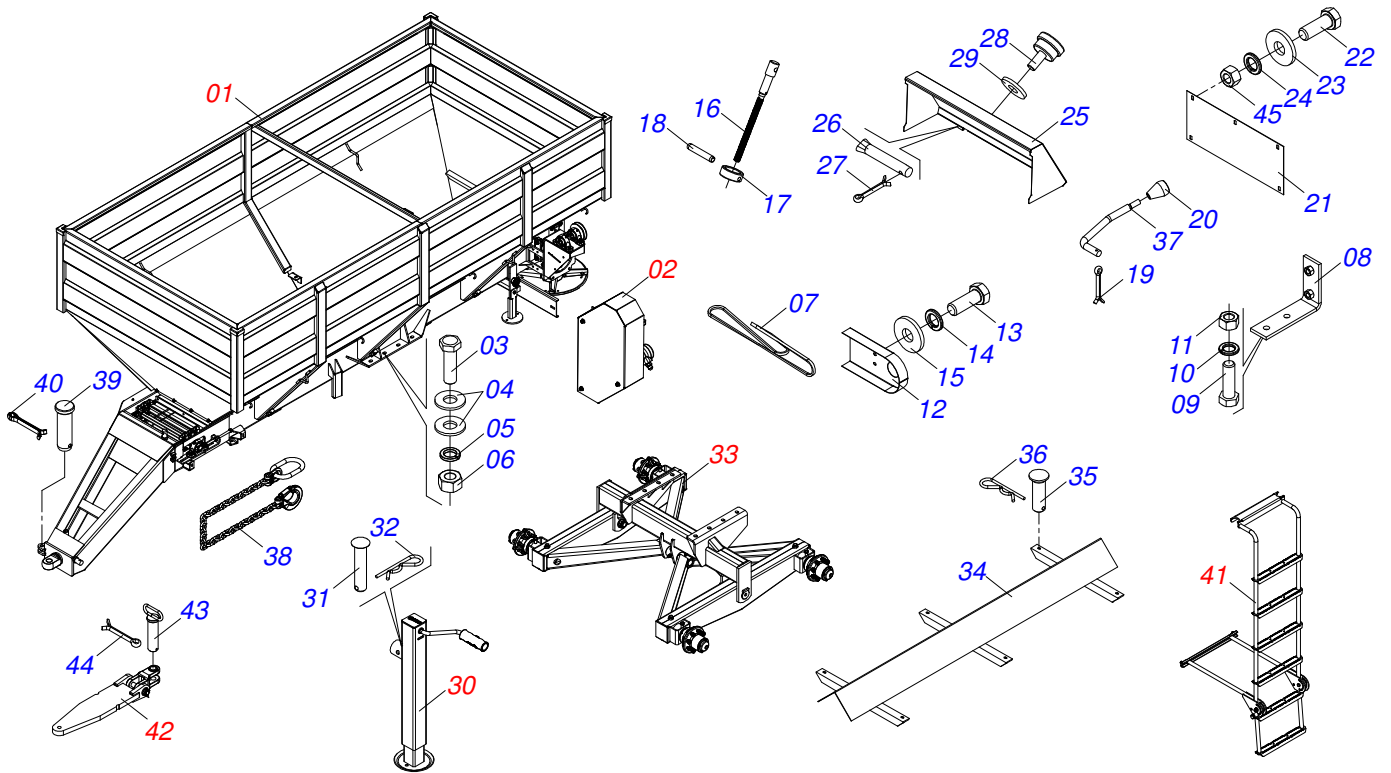
Code	Description
0120430015	DFSC 10.5 MC C/ACIONAM HIDR S-0114

ATTENTION: **IMPORTANT**

CIVEMASA RESERVES THE RIGHT AT ANY TIME TO MAKE IMPROVEMENTS IN THE DESIGN, MATERIAL OR SPECIFICATIONS OF MACHINERY, EQUIPMENT OR PARTS WITHOUT THEREBY BECOMING LIABLE TO MAKE SIMILAR CHANGES IN MACHINERY, EQUIPMENT OR PARTS PREVIOUSLY SOLD.

INDEX

0909093621	ASSY FRAME	1
0521051311	FRAME WITH BUCKET SEMI MOUNTED	2
0511056261	HYDRAULIC DRIVE ASSY	3
0511054496	TENSIONER SMALLEER ASSY	4
0511054497	TENSIONER LARGER ASSY	5
0501053834	QUICK CONECTION (MALE) 1/2	6
0909092678	DAMPER	7
0501044308	AGRICULTURAL BEARING ASSY	8
0511059305	REAR PROTECTION WITH MINOR PROTECTOR	8
0501047985	REDUCER	9
0501046802	BELT TENSIONER ASSY	10
0501051782	RIGHT BEARING SUPPORT DISC	11
0501051783	LEFT BEARING SUPPORT DISC	12
0501051972	DISTRIBUTOR RIGHT DISC ASSY	13
0501051973	DISTRIBUTOR LEFT DISC ASSY	14
0511041213	AGRICULTURAL BEARING	15
0503062157	HEADER JACK	16
0511042281	BELL CRANK FIXER SUPPORT	17
0501056347	CARRYING WHEELS WITHOUT TIRE	18
0511059633	ASSY LADDER	19
0511059024	ENGATE TRATOR COMPLETO	20
0511059223	WHEEL WITH LEFT SIDE TIRE	21
0511059222	WHEEL WITH TIRE RIGHT SIDE	22



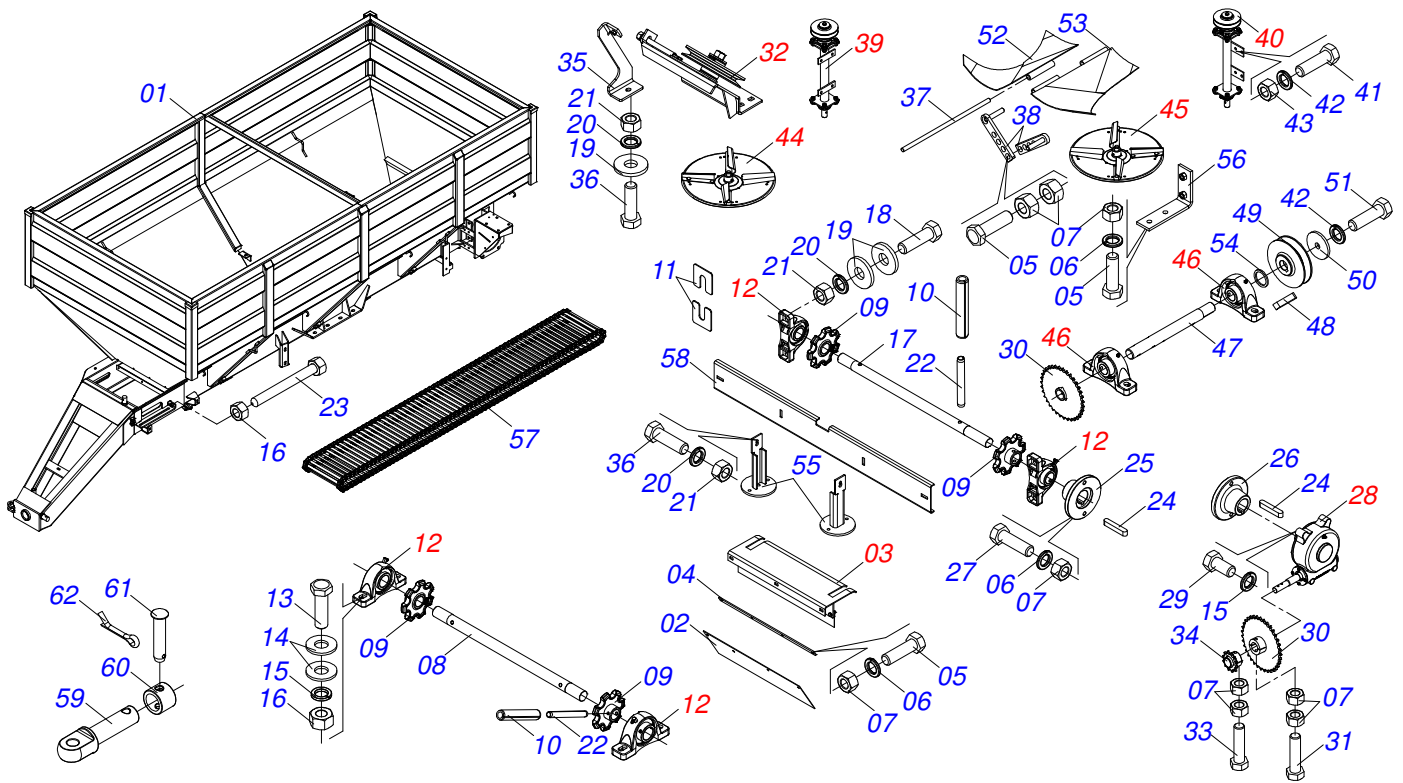
Item	Code	Description	QT
00	0521047472	ASSY FRAME	00
01	0521051311	FRAME WITH BUCKET SEMI MOUNTED	01
02	0511056261	HYDRAULIC DRIVE ASSY	01
03	0501010125	3/4" X 2-1/2" BOLT	08
04	0501010322	FLAT WASHER	16
05	0503010023	SPRING WASHER	08
06	0503010014	3/4" NUT	06
07	0503010154	C-128 BELT	01
08	0501069225	BELT PROTECTION FIXER	01
09	0503010237	3/8" X 1" BOLT	40
10	0503010025	3/8 SPRING WASHER	02
11	0503010026	3/8" NUT	02
12	0521011062	BELT PROTECTION SIDE	01
13	0503010237	3/8" X 1" BOLT	02
14	0503010025	3/8 SPRING WASHER	02
15	0501010984	FLAT WASHER	02
16	0561014861	REGULATOR	01
17	0511013015	SLEEVE	01
18	0503010561	SPRING PIN	01
19	0503010257	1/8" X 1" COTTERPIN	01
20	0503030878	LEVER CRANK	01
21	0501019460	REAR PROTECTION	01
22	0503010237	3/8" X 1" BOLT	07
23	0501010984	FLAT WASHER	05
24	0503010025	3/8 SPRING WASHER	05
25	0501069840	REAR COVER PROTECTION	01
26	0501017574	0.3" X 2.7" AXLE	02
27	0503010140	1/8" X 3/4" COTTERPIN	02
28	0503010386	CABLE	01
29	0501010984	FLAT WASHER	01
30	0503062157	HEADER JACK	01
31	0521010549	COUPLING SHAFT	01
32	0503030168	HAIR PIN	01



DFSC 10.5 MC WITH HYDRAULIC OPERATION
ASSY FRAME

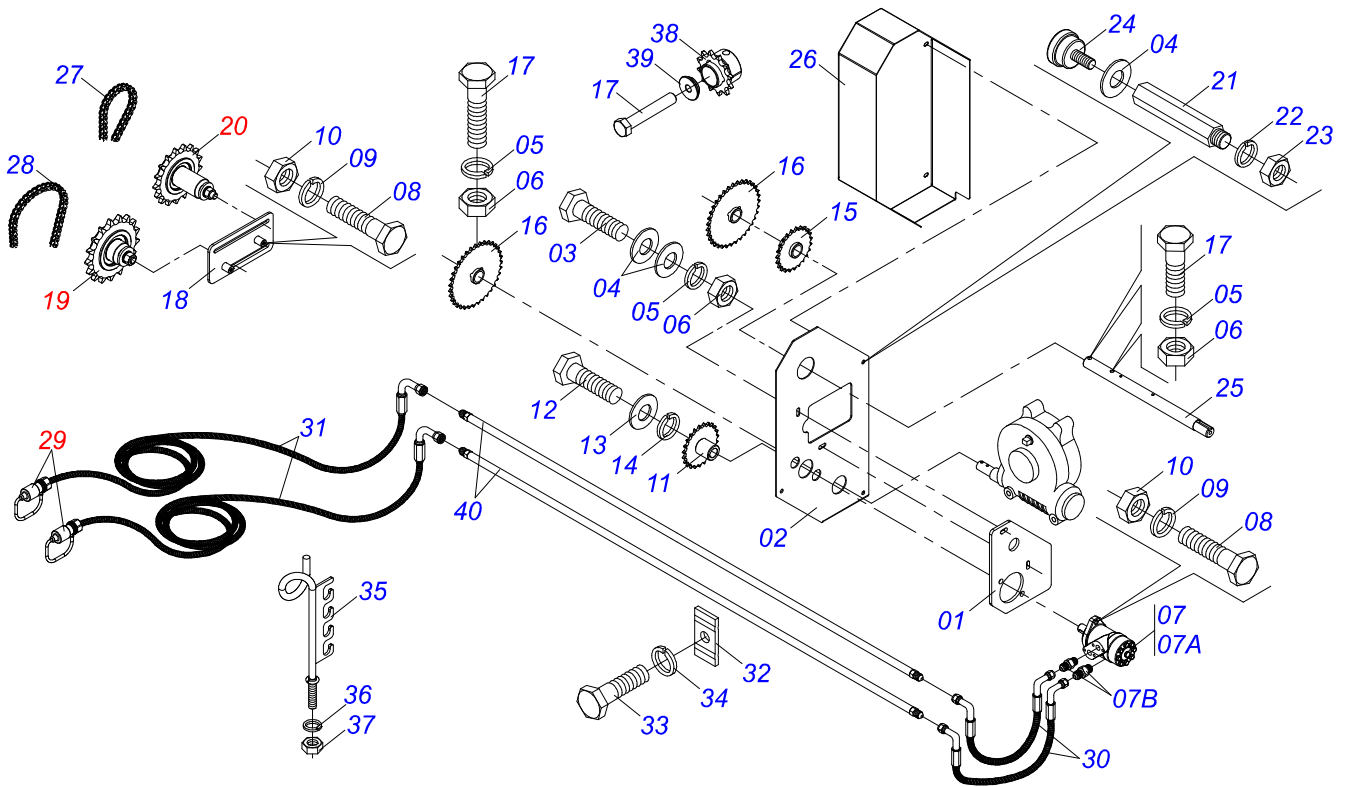
Page 1
0909093621

Item	Code	Description	QT
33	0511042281	BELL CRANK FIXER SUPPORT	01
34	0511064692	DEFLECTOR	01
35	0521017623	0.5" X 1.5" COUPLING SHAFT	06
36	0503030168	HAIR PIN	06
37	0521011107	CRANK BODY	01
38	0503013150	1300 X 3/8 CHAIN	01
39	0581011220	COUPLING SHAFT	01
40	0503010534	3/8 X 2-1/2 COTTERPIN	01
41	0511059633	ASSY LADDER	01
42	0511059024	ENGATE TRATOR COMPLETO	01
43	0511066176	HITCH PIN	01
44	0503010010	1/4" X 2.1/2" COTTERPIN	01
45	0503010026	3/8" NUT	05



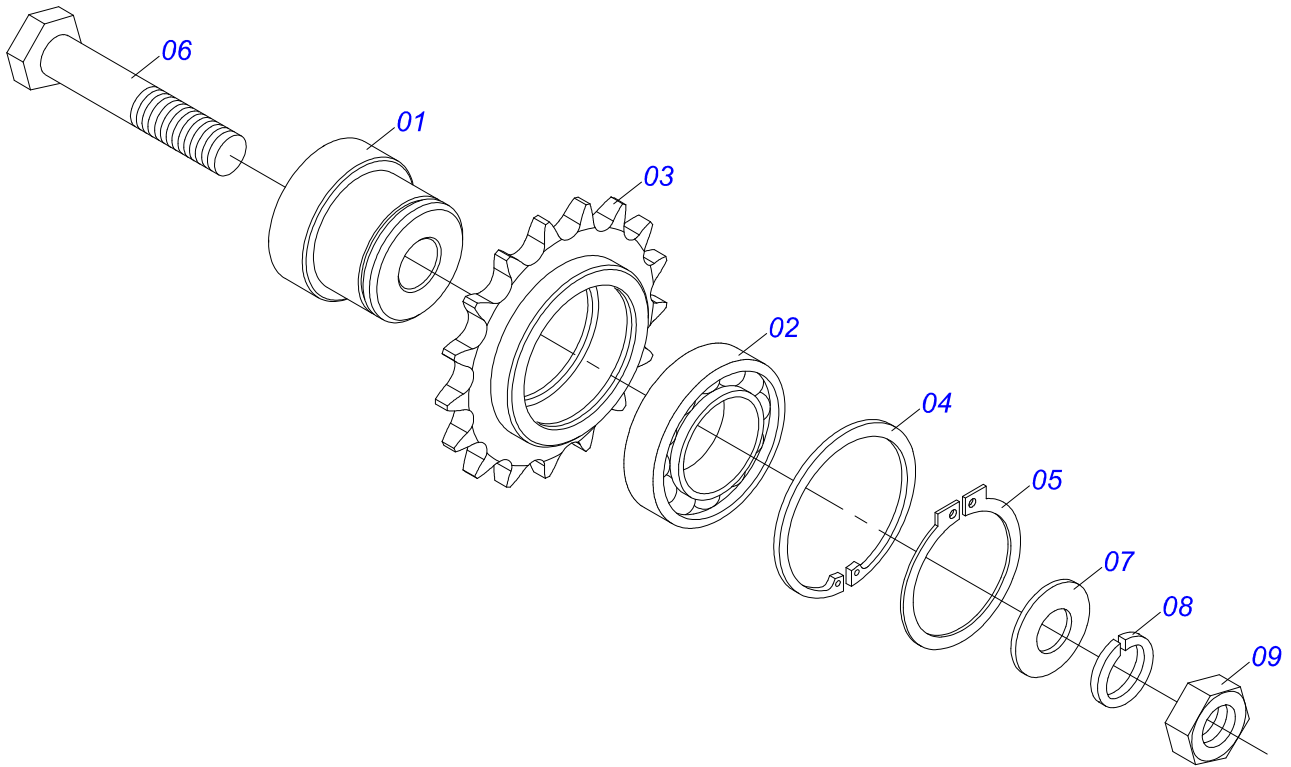
Item	Code	Description	QT
01	0521062224	FRAME	01
02	0511011866	PROTECTION LARGER	01
03	0511059305	REAR PROTECTION WITH MINOR PROTECTOR	01
04	0511016575	RUBBER COVER FIXER	01
05	0503010237	3/8" X 1" BOLT	06
06	0503011443	SPRING WASHER	08
07	0503010026	3/8" NUT	16
08	0511016482	DRIVEN AXLE	01
09	0502040728	7Z GEAR	04
10	0503010361	SPRING PIN	06
11	0501010794	HIDR CHOCK REGULATOR	04
12	0501044308	AGRICULTURAL BEARING ASSY	04
13	0503010233	5/8" X 2-1/2" BOLT	04
14	0501012140	FLAT WASHER	08
15	0503011445	SPRING WASHER	08
16	0503010013	5/8" NUT	06
17	0511016481	MOTOR SHAFT	01
18	0503010740	1/2" X 2" BOLT	12
19	0511017302	FLAT WASHER	27
20	0503011440	SPRING WASHER	21
21	0503010060	1/2" NUT	21
22	0503010756	0.2" X 2.4" SPRING PIN	04
23	0501067853	ROD STABILIZER	02
24	0501010540	KEYWAY SQUARE	02
25	0511016540	MAT COUPLING FLANGE	01
26	0511016541	REDUCTION COUPLING FLANGE	01
27	0503010849	3/8" X 1-1/2" BOLT	03
28	0501047985	REDUCER	01
29	0503011167	M16 X 2 X 30 BOLT	04
30	0501069020	35Z GEAR	02
31	0503011141	3/8" X 2-3/4" BOLT	02
32	0501046802	BELT TENSIONER ASSY	01
33	0503011268	3/8" X 2-1/2" BOLT	01

Item	Code	Description	QT
34	0501069017	12Z GEAR	01
35	0511060909	PROTECTION REAR SUPPORT FIXER	01
36	0503010920	1/2" X 1.1/2" BOLT	09
37	0511016530	TENSIONER OPEN	01
38	0501067368	DIVISOR REGULATOR OPEN	02
39	0501051782	RIGHT BEARING SUPPORT DISC	01
40	0501051783	LEFT BEARING SUPPORT DISC	01
41	0503010920	1/2" X 1.1/2" BOLT	12
42	0503011440	SPRING WASHER	13
43	0503010060	1/2" NUT	12
44	0501051972	DISTRIBUTOR RIGHT DISC ASSY	01
45	0501051973	DISTRIBUTOR LEFT DISC ASSY	01
46	0511041213	AGRICULTURAL BEARING	04
47	0521011063	TRANSMISSION AXLE	01
48	0501010536	KEYWAY SQUARE	01
49	0502011361	REEL 1C 5.5" X 1.1" PULLEY	01
50	0511014052	FLAT WASHER	01
51	0503010355	7/16" X 1" BOLT	01
52	0501067203	RIGHT FLOW DIVIDING	01
53	0501067361	LEFT FLOW DIVIDING	01
54	0511016579	WASHER	01
55	0521067015	SUPPORT PROTETION DISC	02
56	0501069225	BELT PROTECTION FIXER	01
57	0511064673	DRIVE THE FERTILIZER TRANSPORT	01
58	0501019838	BAMPER	01
59	1902040223	PIN HITCH	01
60	1902040327	LOCK SLEEVE	01
61	0521010579	COUPLING SHAFT	01
62	0503010571	1/4" X 1.1/2 COTTERPIN	01

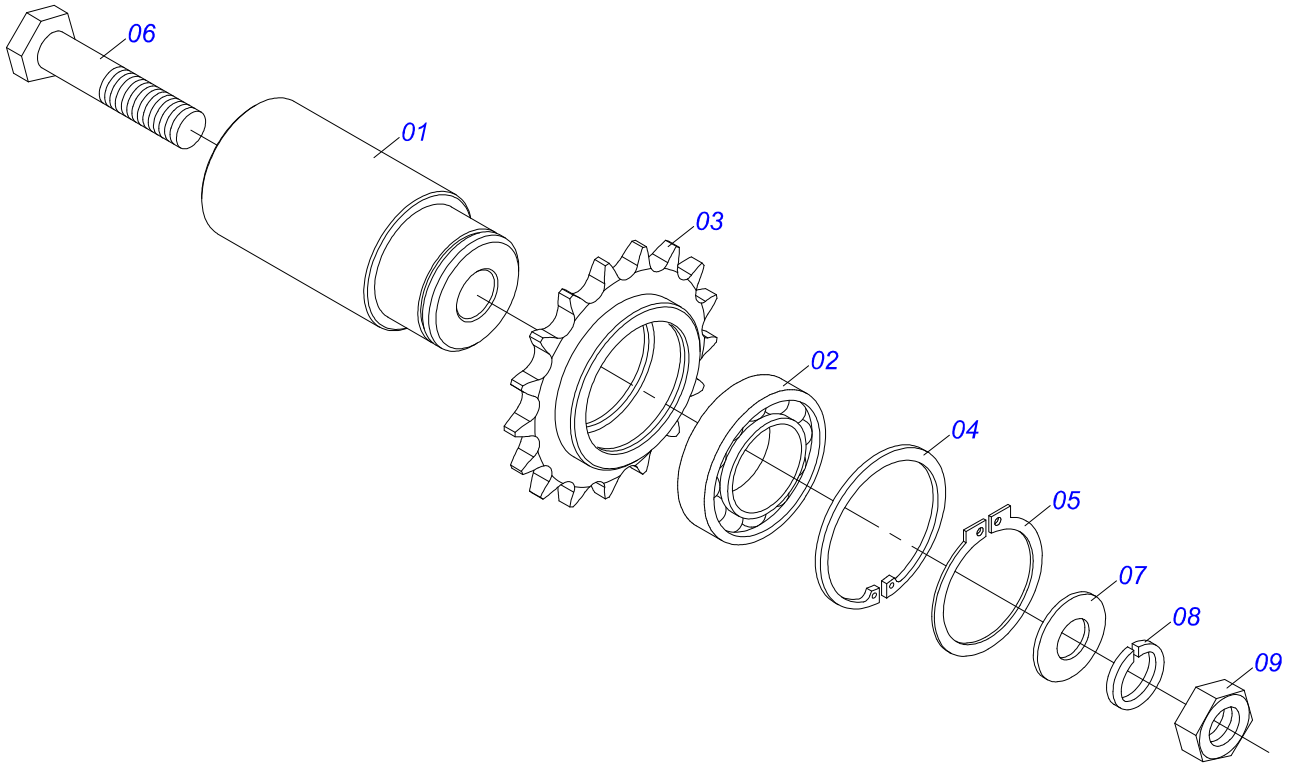


Item	Code	Description	QT
01	0571015182	HIDRAULIC MOTOR SUPPORT	01
02	0571015447	PROTECTION REAR	01
03	0503010849	3/8" X 1-1/2" BOLT	04
04	0501010984	FLAT WASHER	07
05	0503011443	SPRING WASHER	05
06	0503010026	3/8" NUT	09
07	0511053588	MOTOR HYDRAULIC OMP 80 WITH NIPPLE 7/8	01
07A	0503016055	MOTOR HYDRAULIC PARKER OMP 80 ISOBUS	01
07B	0511014065	7/8" NF X R1/2NPT X 52 NIPPLE	02
08	0503010920	1/2" X 1.1/2" BOLT	02
09	0503011440	SPRING WASHER	02
10	0503010060	1/2" NUT	02
11	0521064566	GEAR HIDRAULIC MOTOR	01
12	0503011257	M 8 X 1,25 X 30 BOLT	01
13	0501010694	FLAT WASHER	01
14	0503011444	SPRING WASHER	01
15	0521063041	GEAR 23Z	01
16	0501069020	35Z GEAR	02
17	0503011141	3/8" X 2-3/4" BOLT	04
18	0521064691	SUPPORT TENSIONER	01
19	0511054496	TENSIONER SMALEER ASSY	01
20	0511054497	TENSIONER LARGER ASSY	01
21	0571015189	PRISONER 3/8"	03
22	0503010025	3/8 SPRING WASHER	03
23	0503010026	3/8" NUT	03
24	0503010386	CABLE	03
25	0571015448	DRIVE AXLE	01
26	0571015450	CHAIN CAP	01
27	0503013061	50-1 CHAIN X 64 LINK + REDUCTION	01
28	0503013003	50-1 CHAIN X 79 LINK + REDUCTION + MENDING	01
29	0501053834	QUICK CONECTION (MALE) 1/2	02
30	0501081512	TC-TC HOSE ASSY	02
31	0501080246	TR-TM HOSE ASSY	02

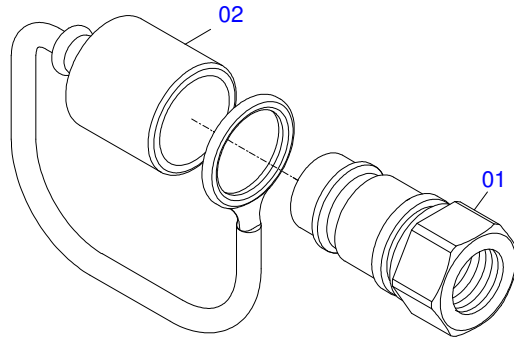
Item	Code	Description	QT
32	0531011180	UPPER BODY CLIP	04
33	0503011102	PARAFUSO 7/16 UNC X 1.1/4 C S G.5	04
34	0503010180	7/16" SPRING WASHER	04
35	0501060409	HOSE SOPPORT ASSY	01
36	0503010023	SPRING WASHER	01
37	0503010014	3/4" NUT	01
38	0501069017	12Z GEAR	01
39	0581011125	LOCK WASHER	01
40	0521066606	OIL TUBE	02



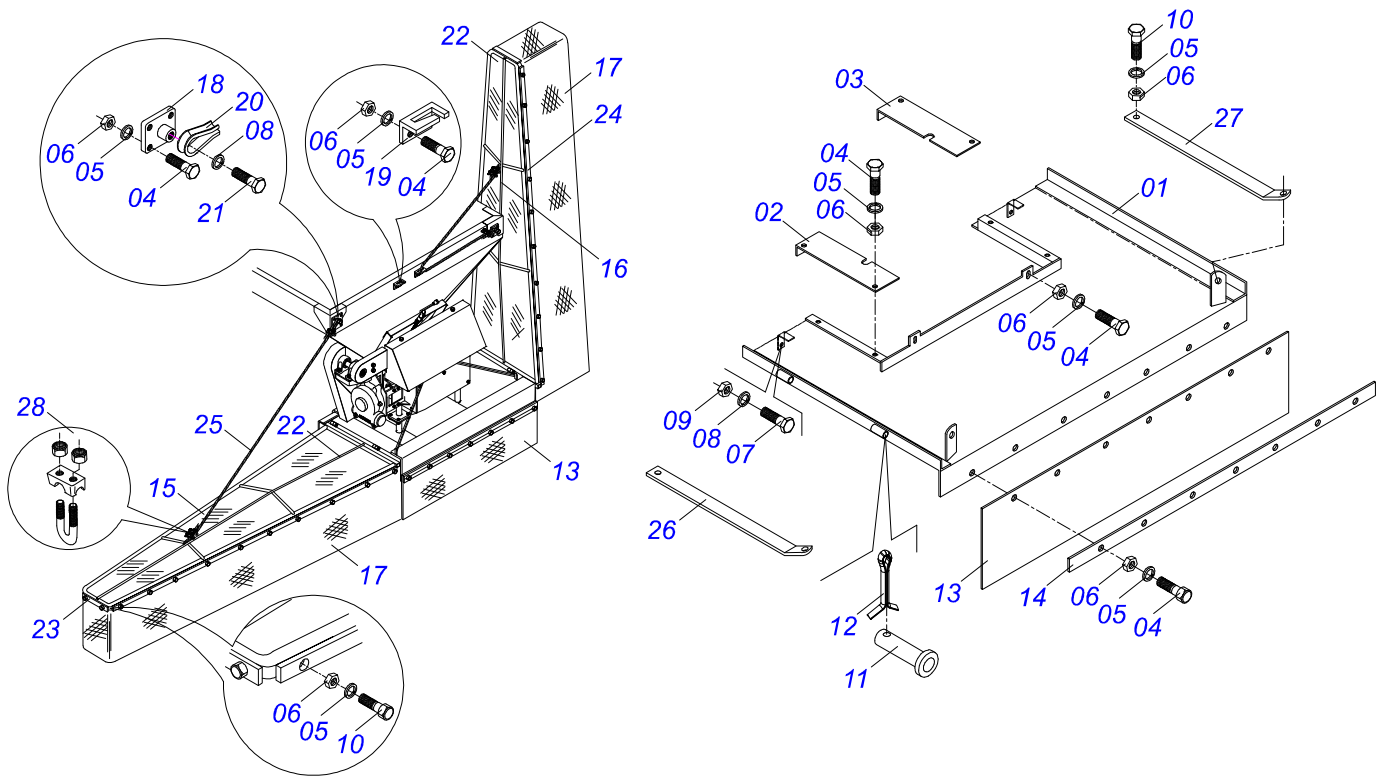
Item	Code	Description	QT
01	0571015185	AXLE TIGHTENER 26 DCA	01
02	0503011410	ROLLER BEARING	01
03	0511061836	17Z GEAR	01
04	0503011105	SEAL RING	01
05	0503010406	501025 CLAMPING RING (FOR AXLE)	01
06	0501010096	3/8" X 2" BOLT	01
07	0501010984	FLAT WASHER	01
08	0503010025	3/8 SPRING WASHER	01
09	0503010026	3/8" NUT	01



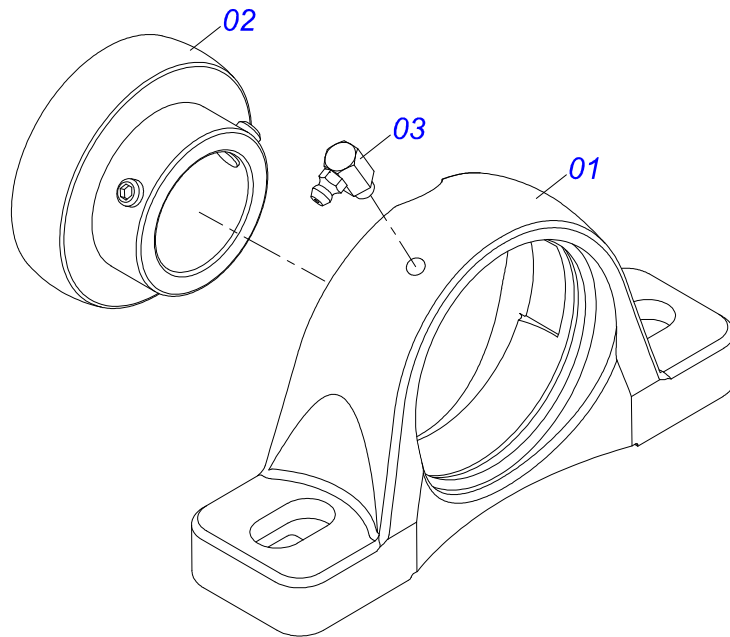
Item	Code	Description	QT
01	0571015186	AXLE TIGHTENER 26 DCA	01
02	0503011410	ROLLER BEARING	01
03	0511061836	17Z GEAR	01
04	0503011105	SEAL RING	01
05	0503010406	501025 CLAMPING RING (FOR AXLE)	01
06	0503010718	3/8" X 3-1/2" BOLT	01
07	0501010984	FLAT WASHER	01
08	0503010025	3/8 SPRING WASHER	01
09	0503010026	3/8" NUT	01



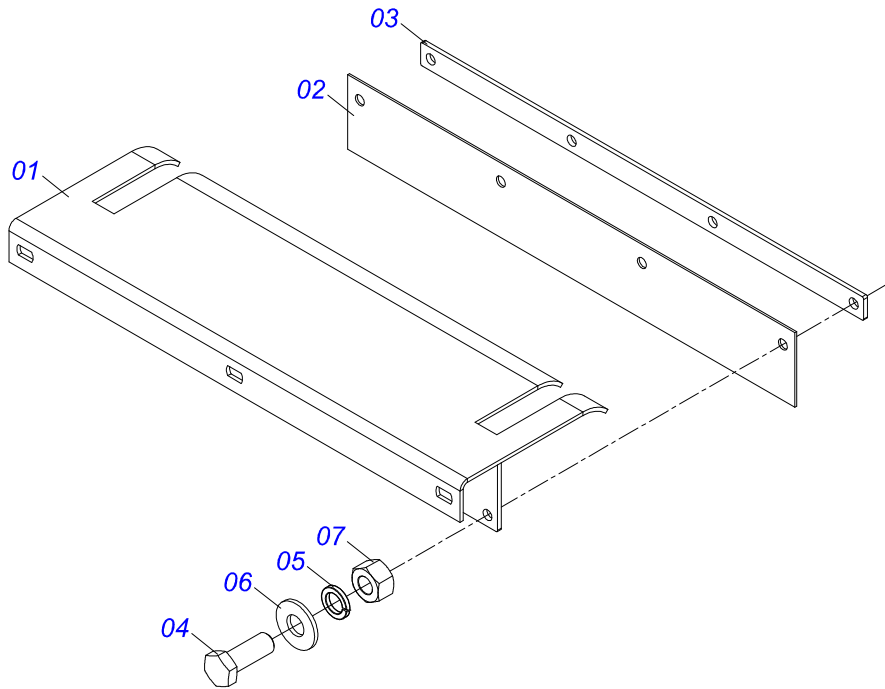
Item	Code	Description	QT
01	0503011627	QUICK CONNECTION (MALE) AGR 1/2 NPT	01
02	0503011882	QUICK CONNECTION COVER	01



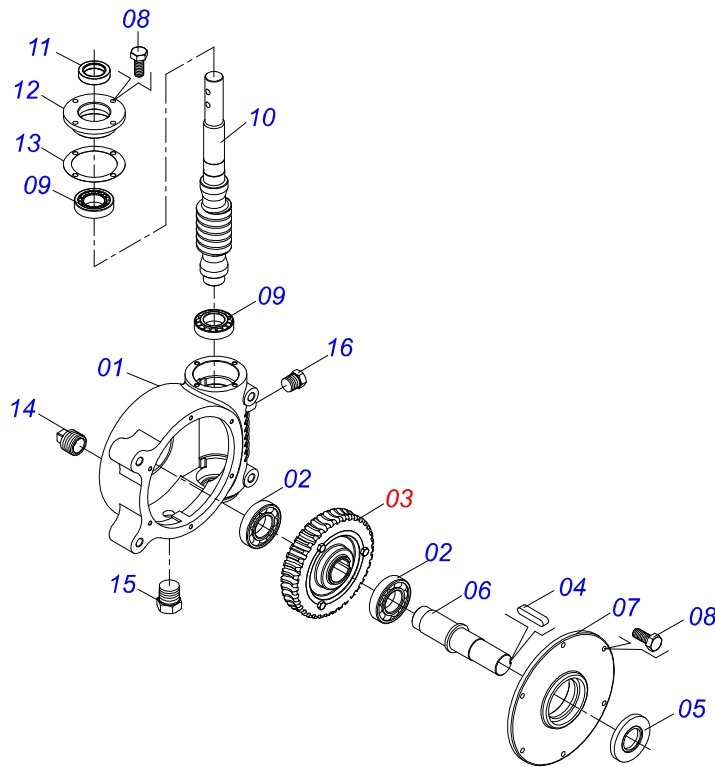
Item	Code	Description	QT
01	0501067801	CENTRAL FRAME	01
02	0511017104	RIGHT COVER SIDE	01
03	0511017105	LEFT COVER SIDE	01
04	0503010237	3/8" X 1" BOLT	40
05	0503010025	3/8 SPRING WASHER	40
06	0503010026	3/8" NUT	40
07	0501010063	1/2" X 1-1/2" BOLT	02
08	0503010019	1/2" SPRING WASHER	02
09	0503010060	1/2" NUT	02
10	0503010751	C3/8" X 1.1/4" HEX BOLT G.5	04
11	0511013803	PIN	04
12	0503010131	3/16" X 1-1/2" COTTERPIN	04
13	0541010205	REAR PROTECTION	01
14	0511013804	REAR RIBBON FIXER BLANKET	01
15	0501066442	RIGHT WING	01
16	0501066443	LEFT WING	01
17	0541010110	RUBBER BLANKET	02
18	0501066515	STELL SUPPORT CABLO	02
19	0501066514	STELL GUIDE CABLO	02
20	0503011202	BRACKET	04
21	0503010834	1/2 X 1 BOLT	02
22	0511013809	SUPPORT PROTECTION	02
23	0511013806	FIXER CANVAS RIBBON	02
24	0511013793	FIXER SUPPORT CANVAS	04
25	0511013817	STELL CABLE	02
26	0511017465	ATTACHMENT BAR	01
27	0511017466	ATTACHMENT BAR	01
28	0503010165	5/16" CABLO STEEL STAPLE	08



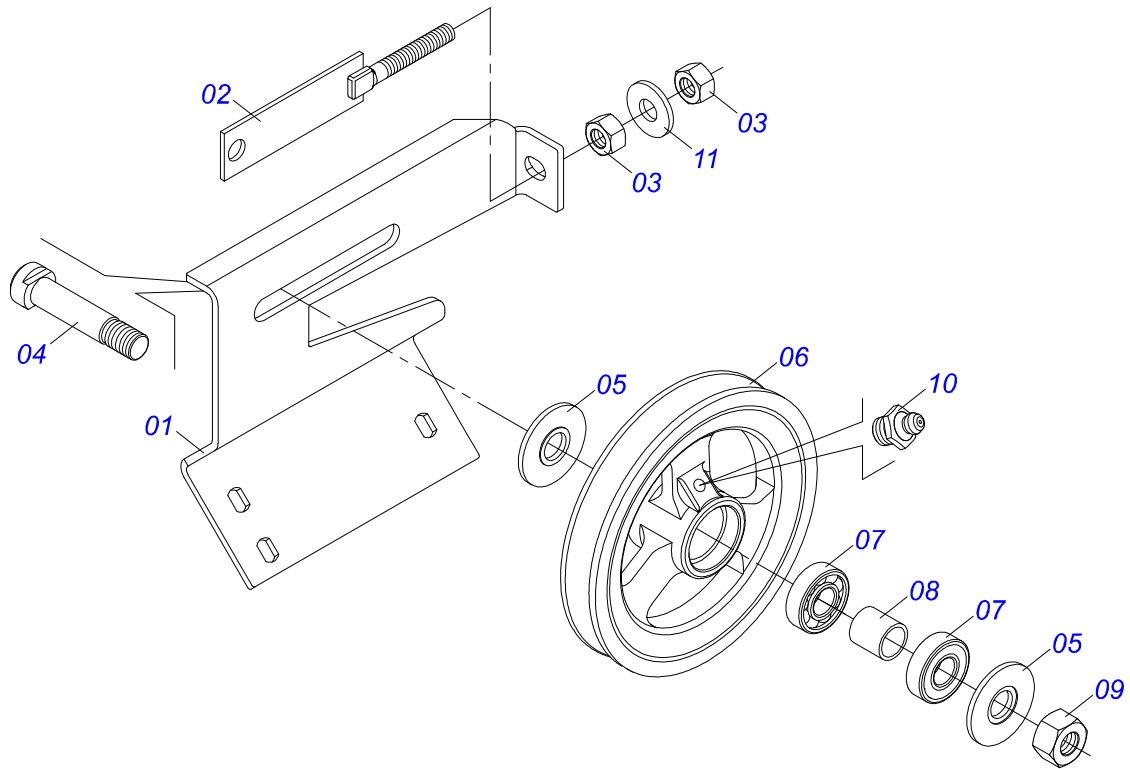
Item	Code	Description	QT
01	0502011050	AGRICULTURAL HOUSING BEARING	01
02	0503011163	1108/UCR BEARING ASSY	01
03	0503010004	1890 GREASE FITTING	01



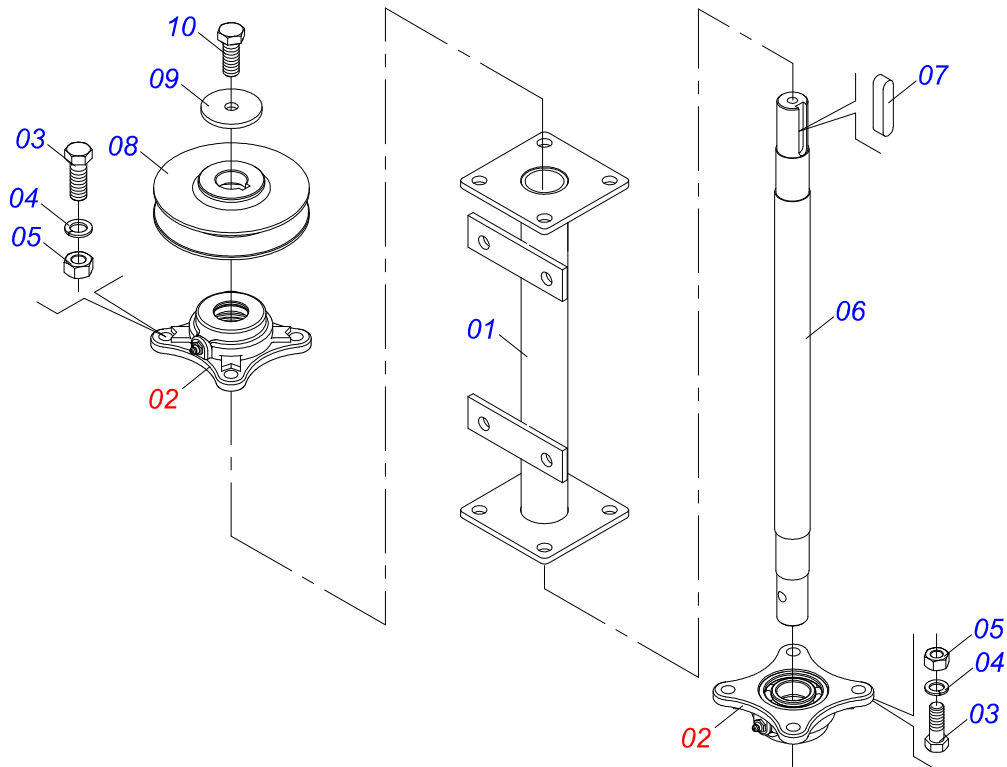
Item	Code	Description	QT
01	0501067379	MAT REAR PROTECTION	01
02	0511014562	PROTECTION SMALLER	01
03	0511016575	RUBBER COVER FIXER	01
04	0503010237	3/8" X 1" BOLT	04
05	0503011443	SPRING WASHER	04
06	0501010984	FLAT WASHER	04
07	0503010026	3/8" NUT	04



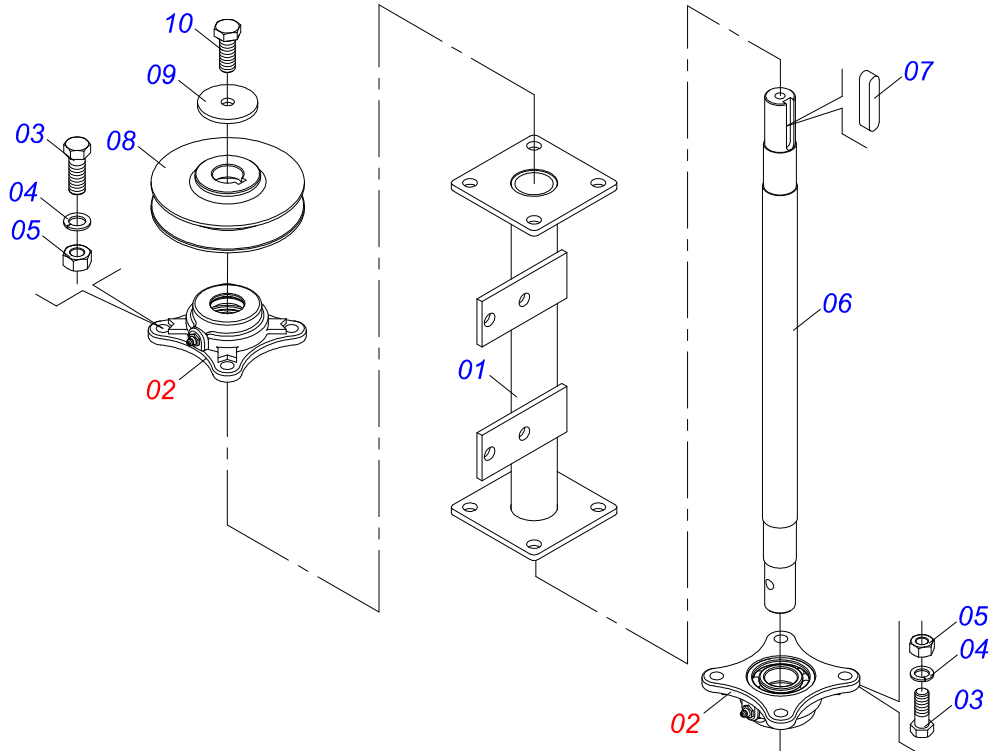
Item	Code	Description	QT
01	0502011456	REDUCTION BOX	01
02	0503011095	6208 BALL BEARING	02
03	0501051774	38Z CONICAL	01
04	0503011304	1/2" X 2.4" KEYWAY SQUARE	01
05	0503010818	02675-BRG SEAL	01
06	0521010996	AXLE	01
07	0502020556	LARGER COVER	01
08	0503010240	5/16" X 3/4" BOLT	10
09	0503010016	BEARING LM	02
10	0521010997	SCREW THEAD	01
11	0503011171	00912-BRG SEAL	01
12	0502011457	SMALLER COVER	01
13	0503030981	102 X 75,5 X 0,10 JOINT	01
14	0521011023	PLUG	01
15	0503031604	1/2" BSP PLUG	01
16	0503010856	OIL PLUG	01



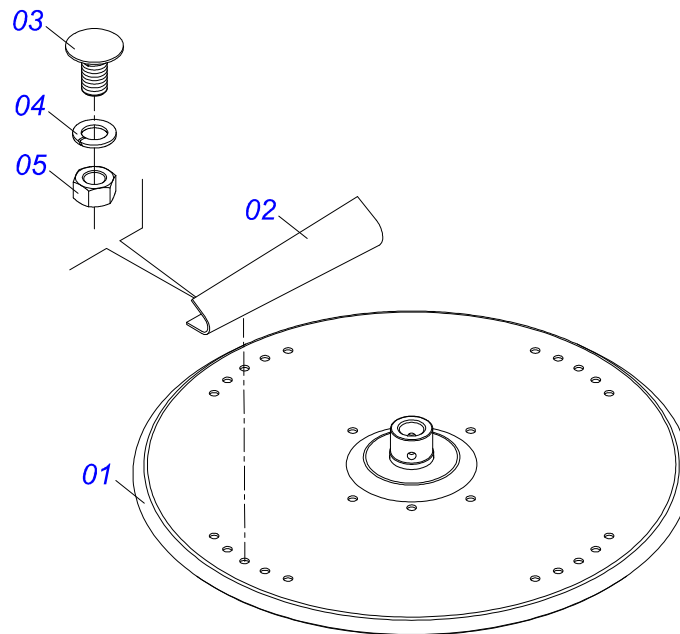
Item	Code	Description	QT
01	0501066100	SUPPORT	01
02	0501065968	1C X 8.3 PULLEY TENSIONER	01
03	0503010013	5/8" NUT	02
04	0511012362	TIGHTENER AXLE PULLEY	01
05	0501019288	WASHER SPACER	02
06	0502011366	REEL 1C 8.3" X 1.6" PULLEY	01
07	0503010690	6204 BALL BEARING	02
08	0521010497	0.8" X 1.1" X 1.1" SPACER	01
09	0503010014	3/4" NUT	01
10	0503010002	1800 GREASE FITTING	01
11	0501012140	FLAT WASHER	01



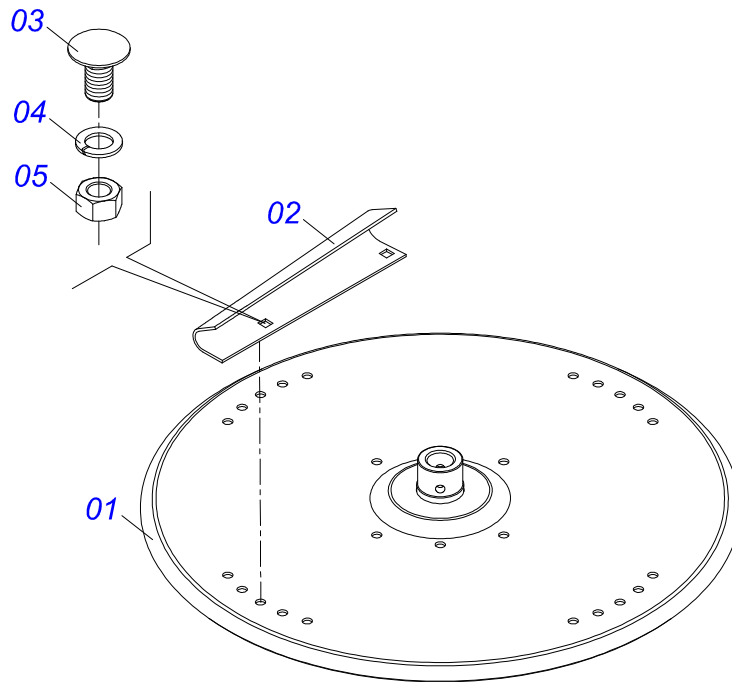
Item	Code	Description	QT
01	0501067387	DISTRIBUTOR RIGHT SUPPORT DISC	01
02	0501048000	AGRICULTURAL BEARING	02
03	0503011102	PARAFUSO 7/16 UNC X 1.1/4 C S G.5	08
04	0503011446	SPRING WASHER	08
05	0503010244	7/16" NUT	08
06	0511016489	DISTRIBUTOR AXLE CONDUCTOR DISC	01
07	0501010536	KEYWAY SQUARE	01
08	0502011361	REEL 1C 5.5" X 1.1" PULLEY	01
09	0511014052	FLAT WASHER	01
10	0503010355	7/16" X 1" BOLT	01



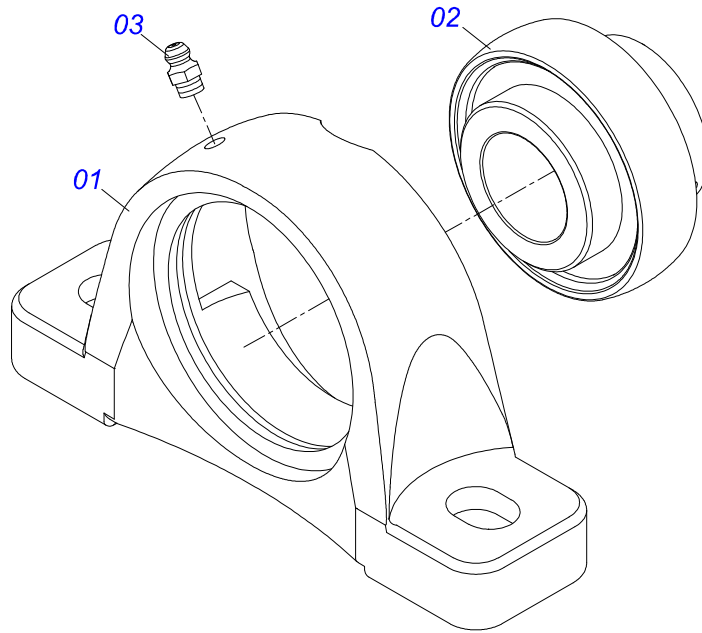
Item	Code	Description	QT
01	0501067388	DISTRIBUTOR LEFT SUPPORT DISC	01
02	0501048000	AGRICULTURAL BEARING	02
03	0503011102	PARAFUSO 7/16 UNC X 1.1/4 C S G.5	08
04	0503011446	SPRING WASHER	08
05	0503010244	7/16" NUT	08
06	0511016489	DISTRIBUTOR AXLE CONDUCTOR DISC	01
07	0501010536	KEYWAY SQUARE	01
08	0502011361	REEL 1C 5.5" X 1.1" PULLEY	01
09	0511014052	FLAT WASHER	01
10	0503010355	7/16" X 1" BOLT	01



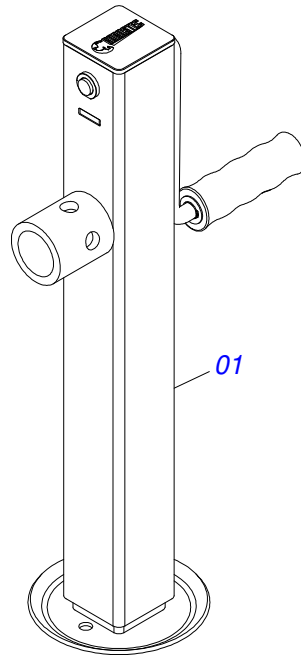
Item	Code	Description	QT
01	0501069605	DISTRIBUTOR DISC	01
02	0521018637	RH FLIP	04
03	0503013029	3/8" X 3/4" BOLT	08
04	0503011443	SPRING WASHER	08
05	0503010026	3/8" NUT	08



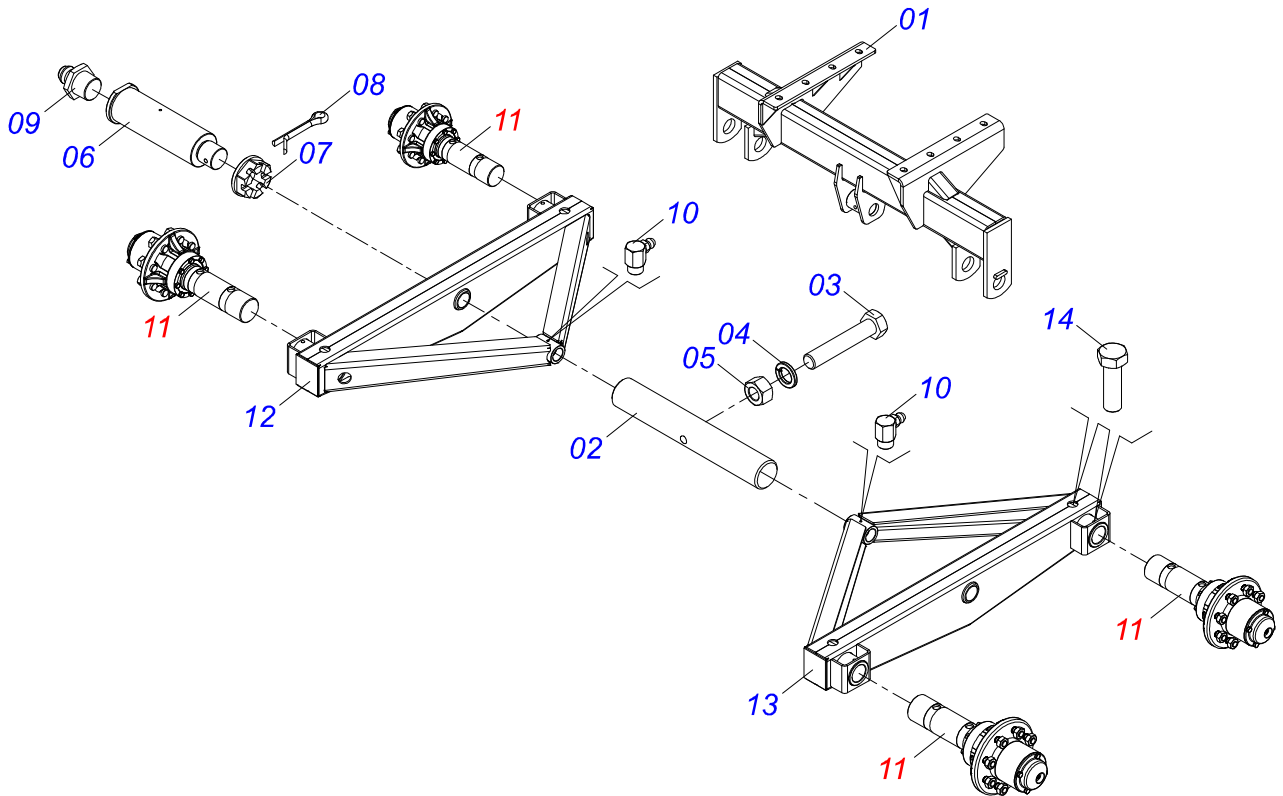
Item	Code	Description	QT
01	0501069605	DISTRIBUTOR DISC	01
02	0521018638	LH FLIP	04
03	0503013029	3/8" X 3/4" BOLT	08
04	0503011443	SPRING WASHER	08
05	0503010026	3/8" NUT	08



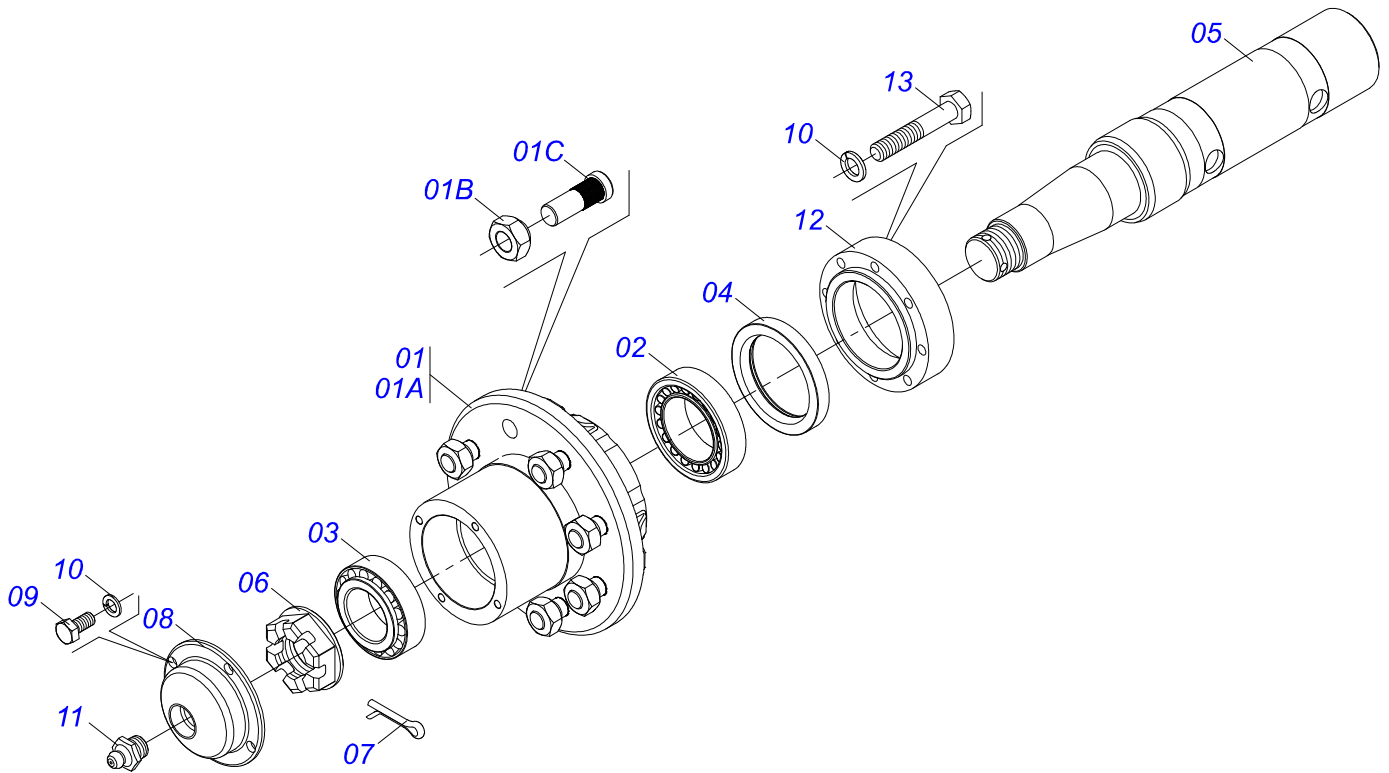
Item	Code	Description	QT
01	0502011954	AGRICULTURAL HOUSING BEARING	01
02	0503011884	BALL BEARING	01
03	0503010691	1/4" GREASE FITTING	01



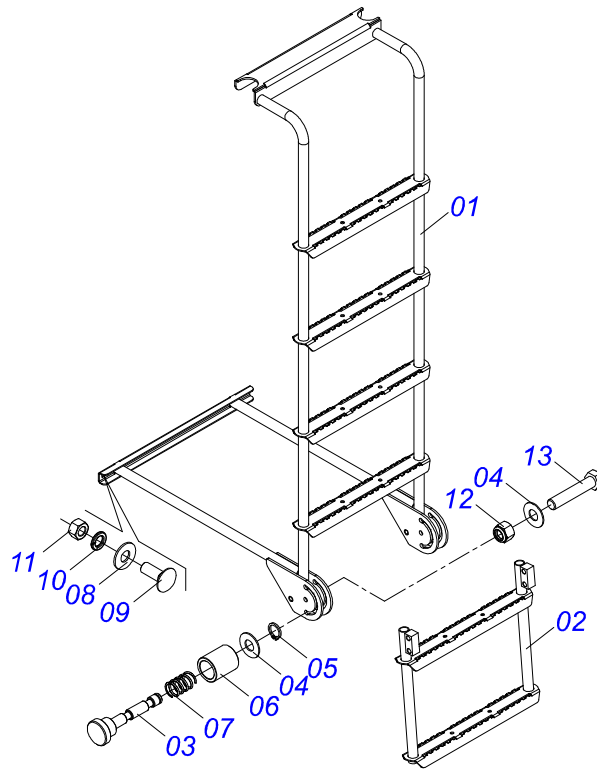
Item	Code	Description	QT
01	0503062157	HEADER JACK	01



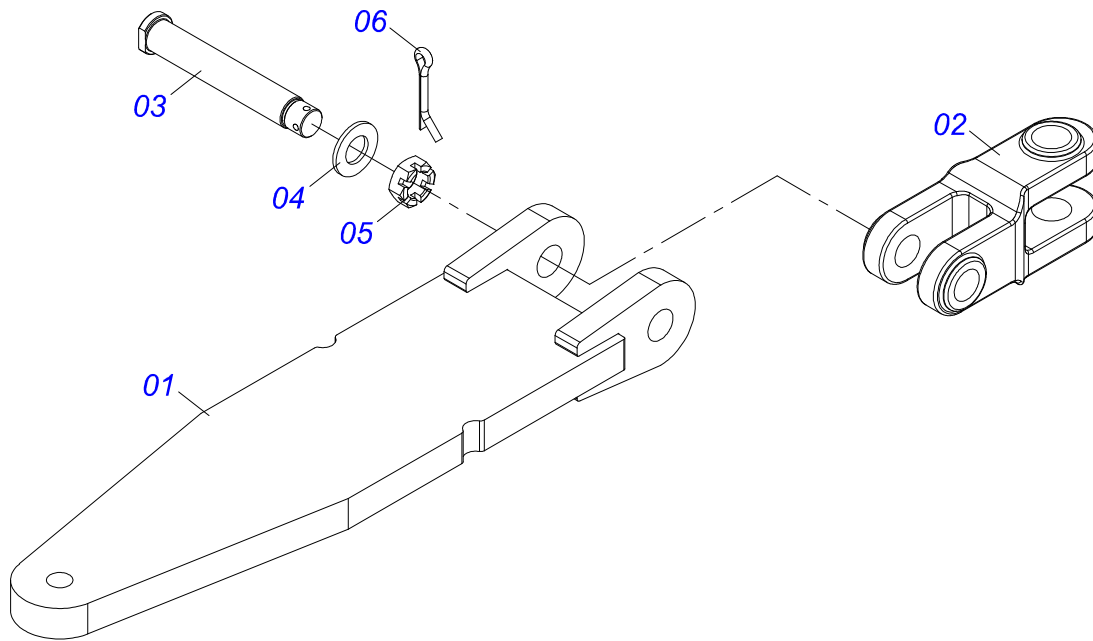
Item	Code	Description	QT
001	0511065192	BEEEL CRANK FIXER SUPPORT	01
002	0531016579	CENTRAL AXLE	01
003	0503010547	1/2" X 4" BOLT	01
004	0503011440	SPRING WASHER	01
005	0503010060	1/2" NUT	01
006	0531016580	1-1/2" UNC X8.5"PIVOT SHAFT	02
007	0501011301	1.1/2 UNC 6FPP 2.5/16 NUT	02
008	0503010010	1/4" X 2.1/2" COTTERPIN	02
009	0503010002	1800 GREASE FITTING	02
010	0503010004	1890 GREASE FITTING	02
011	0501056347	CARRYING WHEELS WITHOUT TIRE	04
012	0511066146	LEFT ROCKER ARM	01
013	0511066145	RIGHT ROCKER ARM	01
014	0503010233	5/8" X 2-1/2" BOLT	08



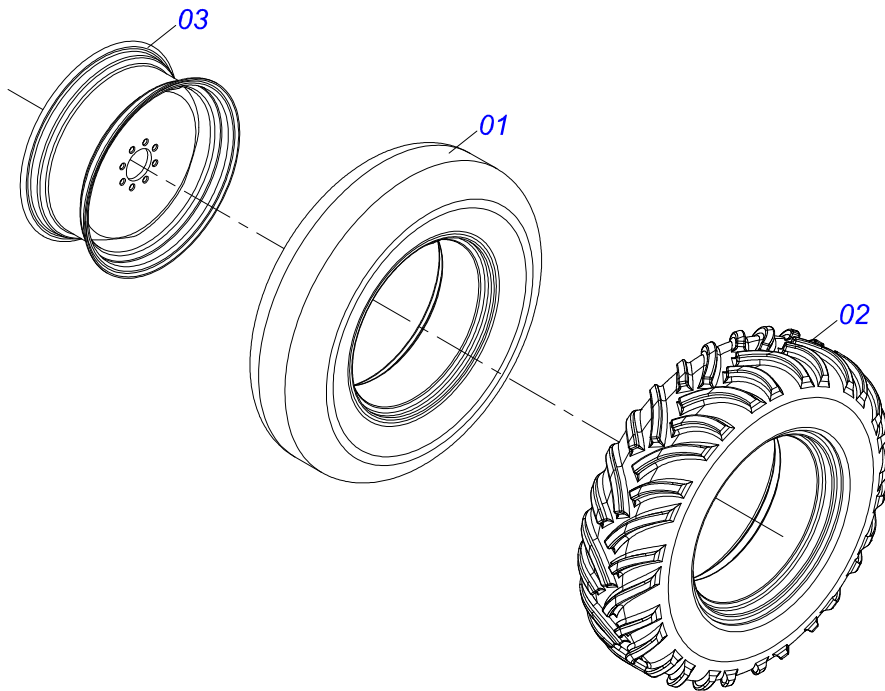
Item	Code	Description	QT
01	0501110763	CARRYING WHEEL HUB	01
01A	0502012318	CARRYING WHEEL HUB	01
01B	0503010064	PORCA CONICA 5/8 NF	08
01C	0501011052	5/8" X 1-3/4" BOLT	08
02	0503013453	SKF 33011 ROLLER BEARING	01
03	0503013454	SKF 33109 ROLLER BEARING	01
04	0503010086	SEAL 0009B-B	01
05	0541015586	WHEEL AXLE	01
06	0501010630	1.1/2" CASTLE NUT	01
07	0503010523	1/4" X 2" COTTERPIN	01
08	0502020592	COVER	01
09	0503010295	5/16" X 5/8" BOLT	04
10	0503011444	SPRING WASHER	12
11	0503010002	1800 GREASE FITTING	01
12	0502012175	SEAL FLANGE	01
13	0503010397	5/16" X 1-3/4" BOLT	08



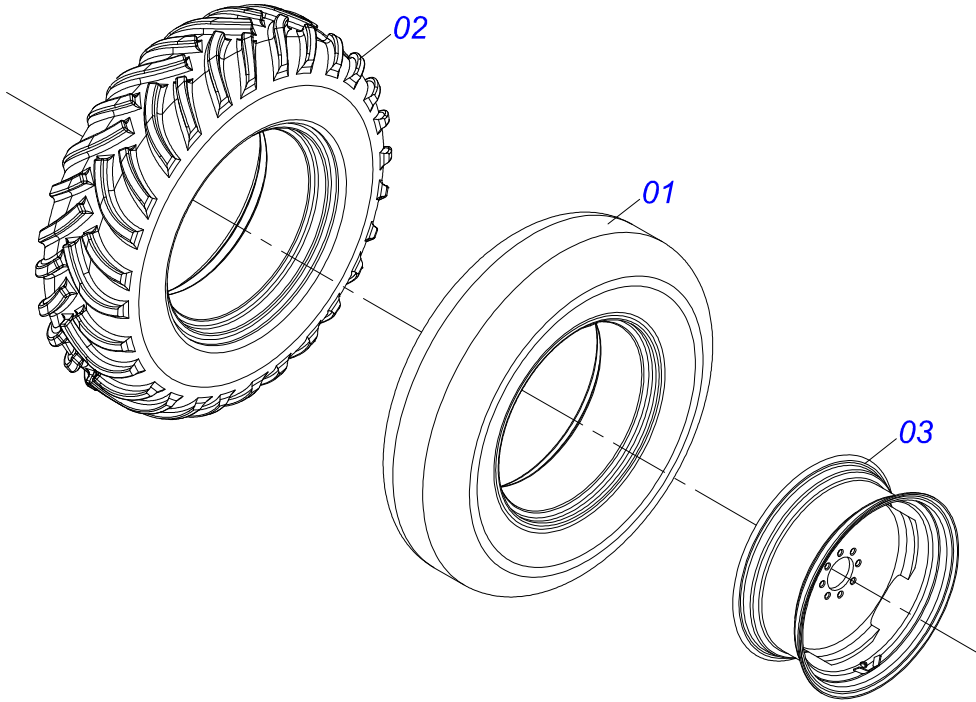
Item	Code	Description	QT
001	0521067154	LADDER	01
002	0521067130	LADDER EXTENDER	01
003	0571019930	EXTENSION LOCK AXLE	01
004	0501013519	FLAT WASHER	03
005	0503010291	501012 CLAMPING RING (FOR AXLE)	01
006	0571019931	GUIDE GLOVE	01
007	0503032035	0.7" X 1.2" X 1" COMPRESSION SPRING	01
008	0501013518	FLAT WASHER	02
009	0501011643	3/8 X 1" BOLT	02
010	0503010025	3/8 SPRING WASHER	02
011	0503010026	3/8" NUT	02
012	0503010589	1/2" UNC SELF ADJUSTING NUT	02
013	0503010734	1/2" X 2-1/2" BOLT	02



Item	Code	Description	QT
001	0511066154	SEMI COUPLING	01
002	1902040330	TRACTOR HITCH	01
003	0541014957	PIN DRAG DCA2/DCCO 10500	01
004	0501017779	FLAT WASHER	01
005	0503011052	1.1/4" X 0.77" CASTLE NUT	01
006	0503010010	1/4" X 2.1/2" COTTERPIN	01



Item	Code	Description	QT
001	0503013040	0.5" X 1" VALVE STEM	01
002	0503013039	0.5" X 1" -10 CANVAS TIRE	01
003	0511063924	DCCO 10500 WHEEL	01



Item	Code	Description	QT
001	0503013040	0.5" X 1" VALVE STEM	01
002	0503013039	0.5" X 1" -10 CANVAS TIRE	01
003	0511063924	DCCO 10500 WHEEL	01



email: civemasa@civemasa.com.br

www.civemasa.com.br

Phone: +55 16.3382.8222

Fax: +55 16.3382.8355

MARCHESAN IMPLEMENTOS E MÁQUINAS AGRÍCOLAS "TATU" S.A.

Av. Marchesan, 1979 - Post Office box, 131 - Cep 15994-900 - Matão - Sp - Brasil

CNPJ 52.311.289/0001-63 | Inst. Est.441.000.151.114

Technical Publications: Elaboration

ALESSANDRA PATRICIA KAWAHARA CARRILI

Technical Publications: Revision

ALESSANDRA PATRICIA KAWAHARA CARRILI

Contact Catálogo:

E-mail = jgaspari@marchesan.com.br

ORIGINAIS PARTS
CIVEMASA