

# PARTS CATALOGUE

## LIME AND FERTILIZER SPREADER

### DFCO 5.5 MC

Code: 0501092066



Series: S-1103

Review: NOVEMBRO/2017

ORIGINAL PARTS  
CIVEMASA

**civemasa**

# PRODUCTS

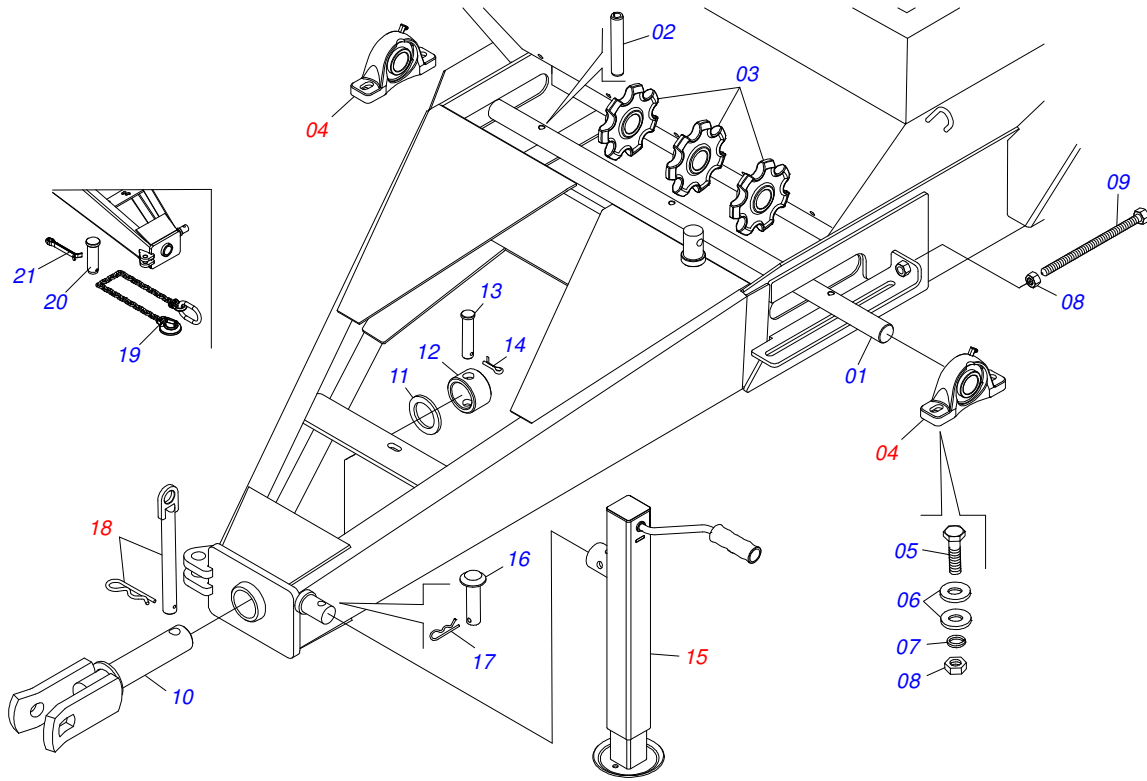
Code	Description
0120480012	DFCO 5,5 MC S/RODA S/PNEUS S-1103
0120480002	DFCO 5.5 61510029 S-1103
0120480006	DFCO 5.5 MC P/PNEUS 11-15 61510065

## ATTENTION: **IMPORTANT**

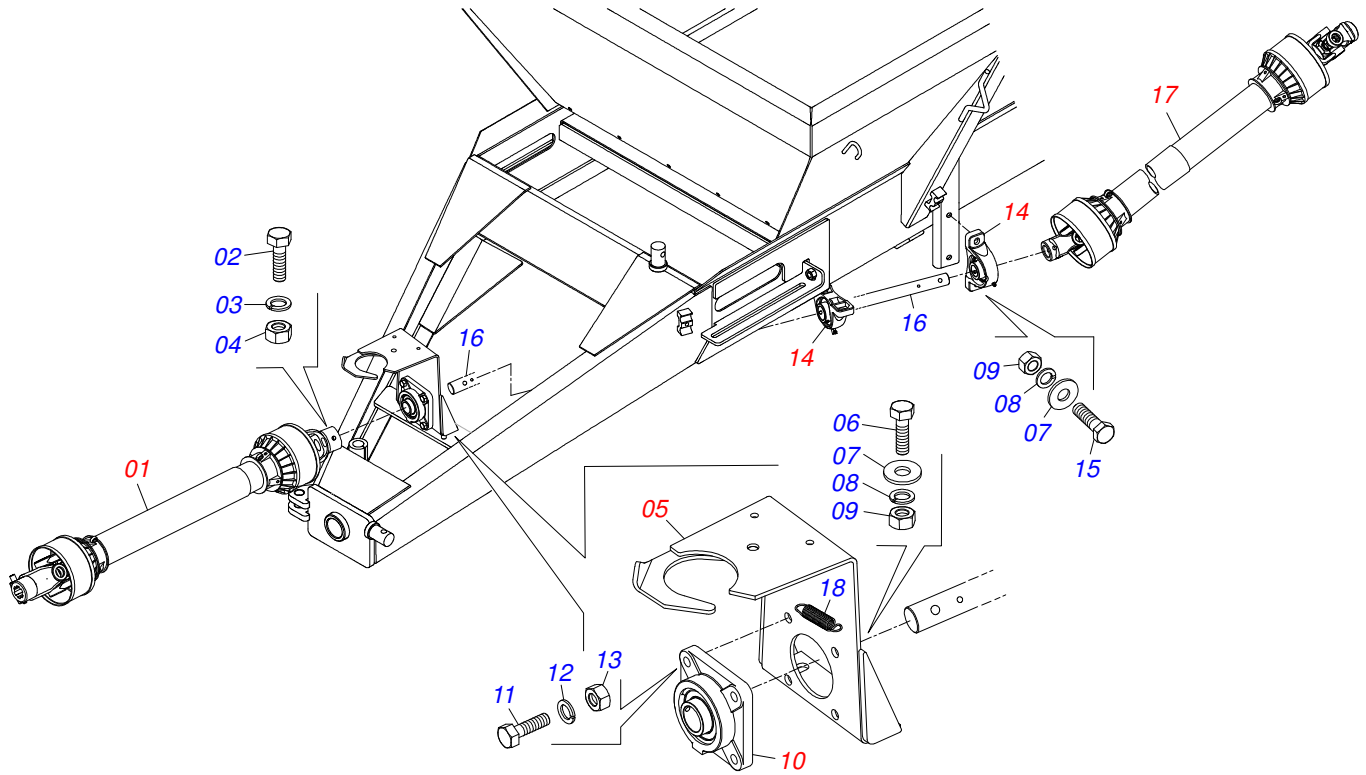
CIVEMASA RESERVES THE RIGHT AT ANY TIME TO MAKE IMPROVEMENTS IN THE DESIGN, MATERIAL OR SPECIFICATIONS OF MACHINERY, EQUIPMENT OR PARTS WITHOUT THEREBY BECOMING LIABLE TO MAKE SIMILAR CHANGES IN MACHINERY, EQUIPMENT OR PARTS PREVIOUSLY SOLD.

# INDEX

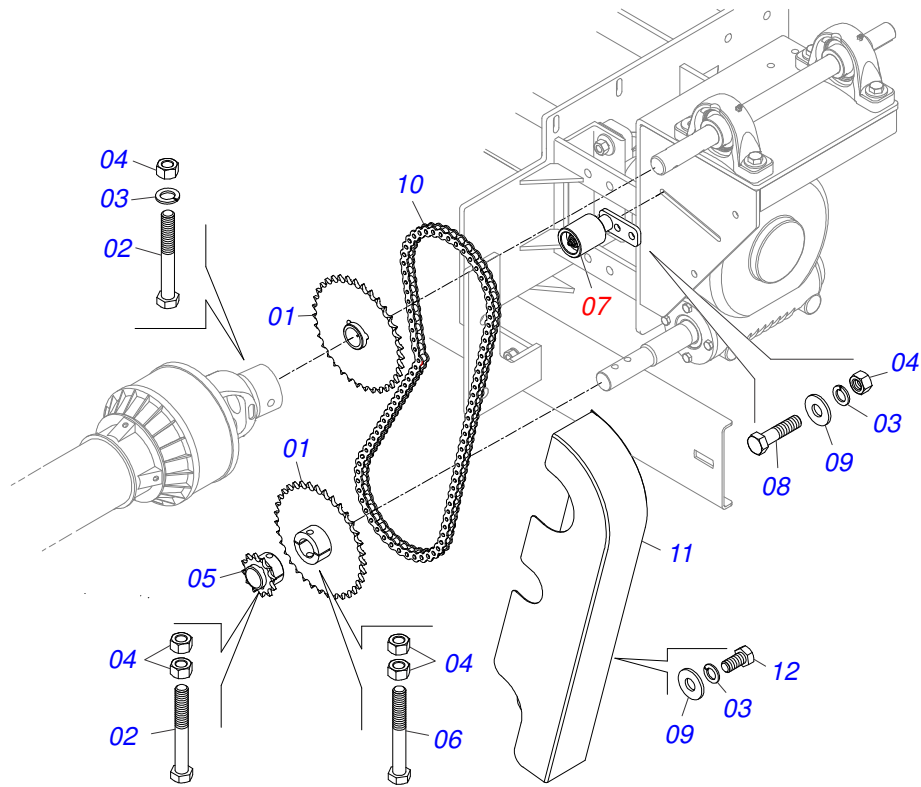
0909094503	FRONT COMPONENTS	1
0909094499	AXLE CARDAN HYDRAULIC CONTROL	2
0909094779	DRIVE CHAIN	3
0909094618	DISTRIBUTOR DISC CONTROLS	4
0909094386	REDUCTOR	5
0909094424	COVER PROTECTOR	6
0909093619	FRAME WITH BUCKET	7
0909094501	ROCKER CARRYING WHEELS	8
0909094586	CARRYING WHEELS WITH ROCKER	9
0909094433	SUPPORT PROTECTION DISC	10
0511040826	ROCKER ARM SUPPORT	11
0501048241	DRIVE SHAFT	12
0501048783	DRIVE SHAFT	13
0503062157	HEADER JACK	14
0501047985	REDUCER	15
0501053868	BELT TENSIONER ASSY	16
0501047881	COUPLING SHAFT	17
0501050829	CHAIN TENSIONER	18
0501044306	BATH BEARING	19
0501056885	CARDAN LEVER SUPPORT	20
0501054013	RIGHT BEARING SUPPORT DISC	21
0501053870	DISTRIBUTOR RIGHT DISC ASSY	22
0501053871	DISTRIBUTOR LEFT DISC ASSY	23
0501044308	AGRICULTURAL BEARING ASSY	24
0511041213	AGRICULTURAL BEARING	25
0503060206	29.5"X0.6"- 10L WHEEL AND TIRE ASSY	26
0501051142	CARRYING WHEEL HUB	27
0503060181	WHEEL AND TIRE	28
0909090359	DAMPER ASSY DCCO	29
0909090357	CONTROLLER DCCO	30



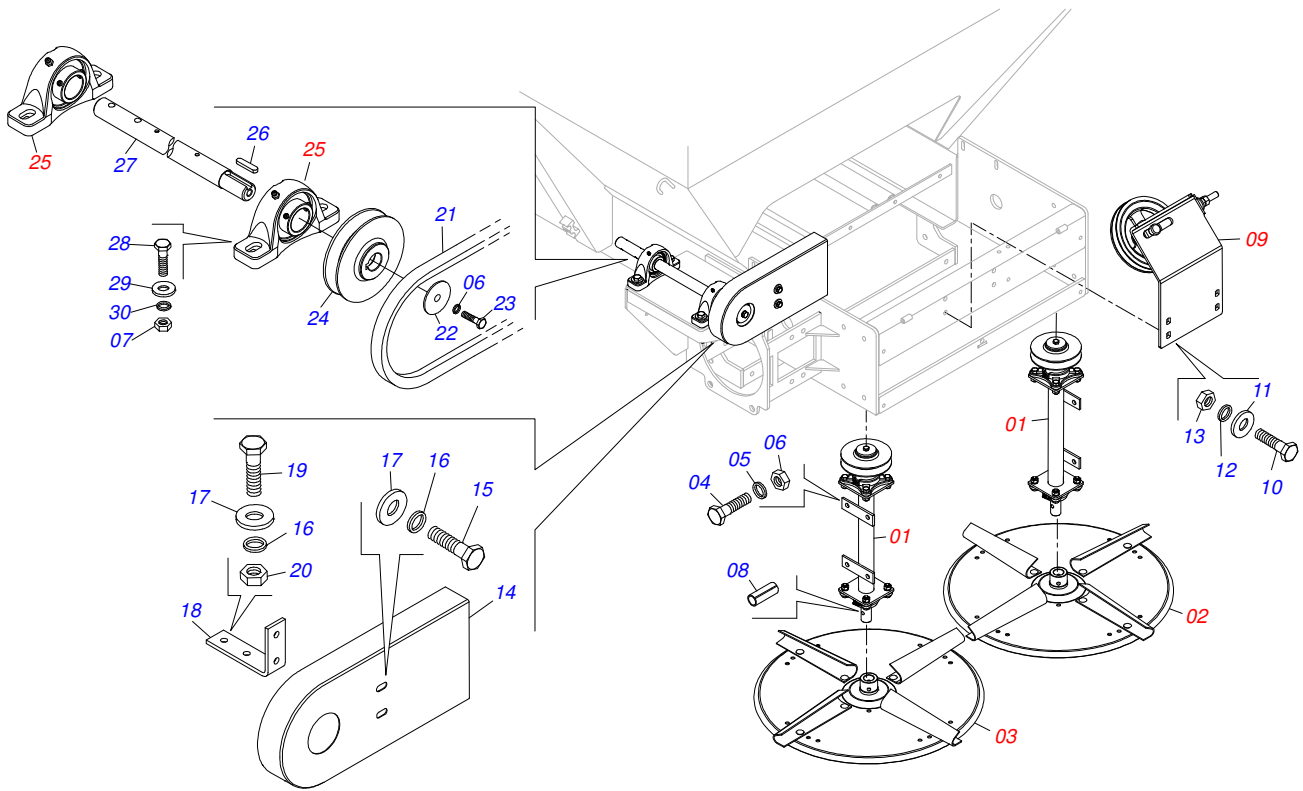
Item	Code	Description	QT
01	0531014345	DRIVEN AXLE	01
02	0503010361	SPRING PIN	03
03	0502040728	7Z GEAR	03
04	0501044308	AGRICULTURAL BEARING ASSY	02
05	0503810233	5/8" X 2-1/2" BOLT	04
06	0501012140	FLAT WASHER	08
07	0503010027	SPRING WASHER	04
08	0503010013	5/8" NUT	06
09	0501067853	ROD STABILIZER	02
10	0501069166	TRACTOR HITCH	01
11	0521015342	WASHER SPACER	01
12	0521010681	BUSHING COUPLING BODY	01
13	0521010639	COUPLING SHAFT	01
14	0503010571	1/4" X 1.1/2 COTTERPIN	01
15	0503062157	HEADER JACK	01
16	0521010549	COUPLING SHAFT	01
17	0503030168	HAIR PIN	01
18	0501047881	COUPLING SHAFT	01
19	0503013150	1300 X 3/8 CHAIN	01
20	0581011220	COUPLING SHAFT	01
21	0503010131	3/16" X 1-1/2" COTTERPIN	01



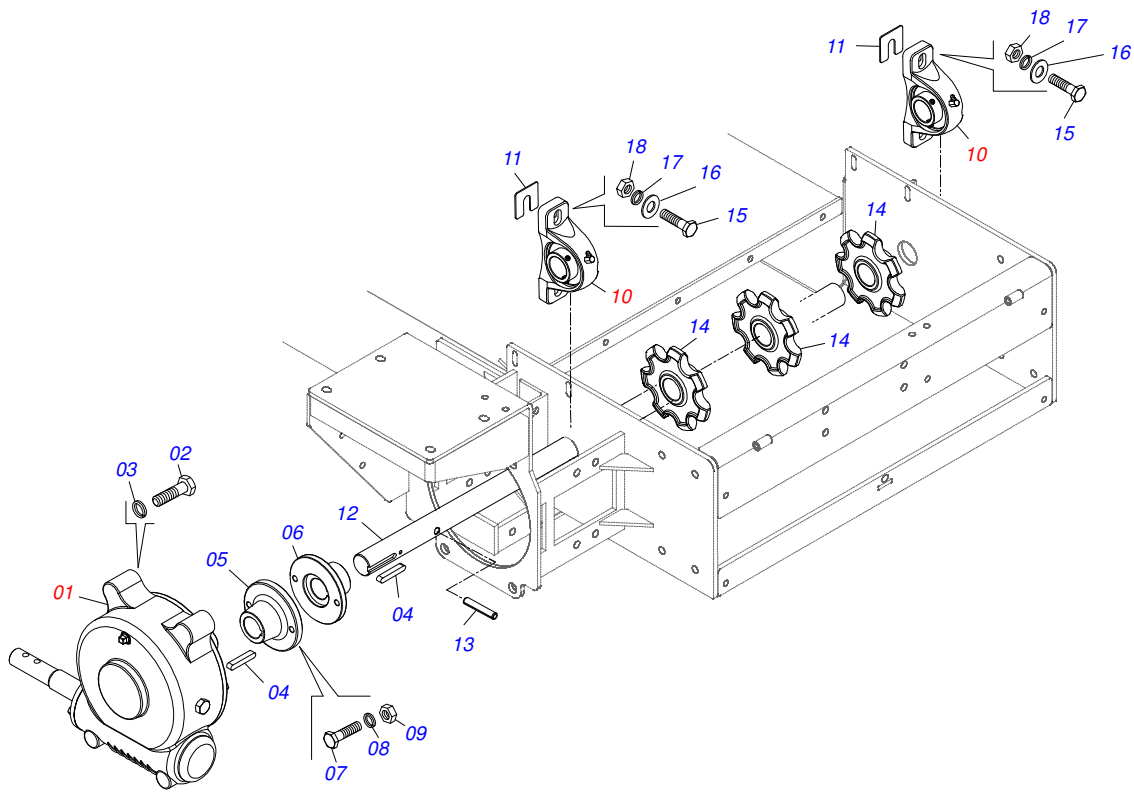
Item	Code	Description	QT
01	0501048241	DRIVE SHAFT	01
02	0503010849	3/8" X 1-1/2" BOLT	01
03	0503010025	3/8 SPRING WASHER	01
04	0503010026	3/8" NUT	01
05	0501056885	CARDAN LEVER SUPPORT	01
06	0503010920	1/2" X 1.1/2" BOLT	02
07	0511017302	FLAT WASHER	04
08	0503010019	1/2" SPRING WASHER	04
09	0503010060	1/2" NUT	04
10	0501044306	BATH BEARING	01
11	0503011102	PARAFUSO 7/16 UNC X 1.1/4 C S G.5	04
12	0503011446	SPRING WASHER	04
13	0503010244	7/16" NUT	04
14	0501044308	AGRICULTURAL BEARING ASSY	02
15	0503010740	1/2" X 2" BOLT	04
16	0521011192	1800 FRONT DRIVE AXLE	01
17	0501048783	DRIVE SHAFT	01
18	0503030198	0.6" X 2.4" X 0.1" EXTENSION SPRING	01



Item	Code	Description	QT
01	0501069020	35Z GEAR	02
02	0503011268	3/8" X 2-1/2" BOLT	02
03	0503011443	SPRING WASHER	05
04	0503010026	3/8" NUT	07
05	0501069017	12Z GEAR	01
06	0503011141	3/8" X 2-3/4" BOLT	01
07	0501050829	CHAIN TENSIONER	01
08	0503010237	3/8" X 1" BOLT	02
09	0501010984	FLAT WASHER	04
10	0503013003	50-1 CHAIN X 79 LINK + REDUCTION + MENDING	01
11	0501069179	CARRY-WHEEL CHAIN PROTECTION CAP	01
12	0503010256	3/8" X 3/4" BOLT	02

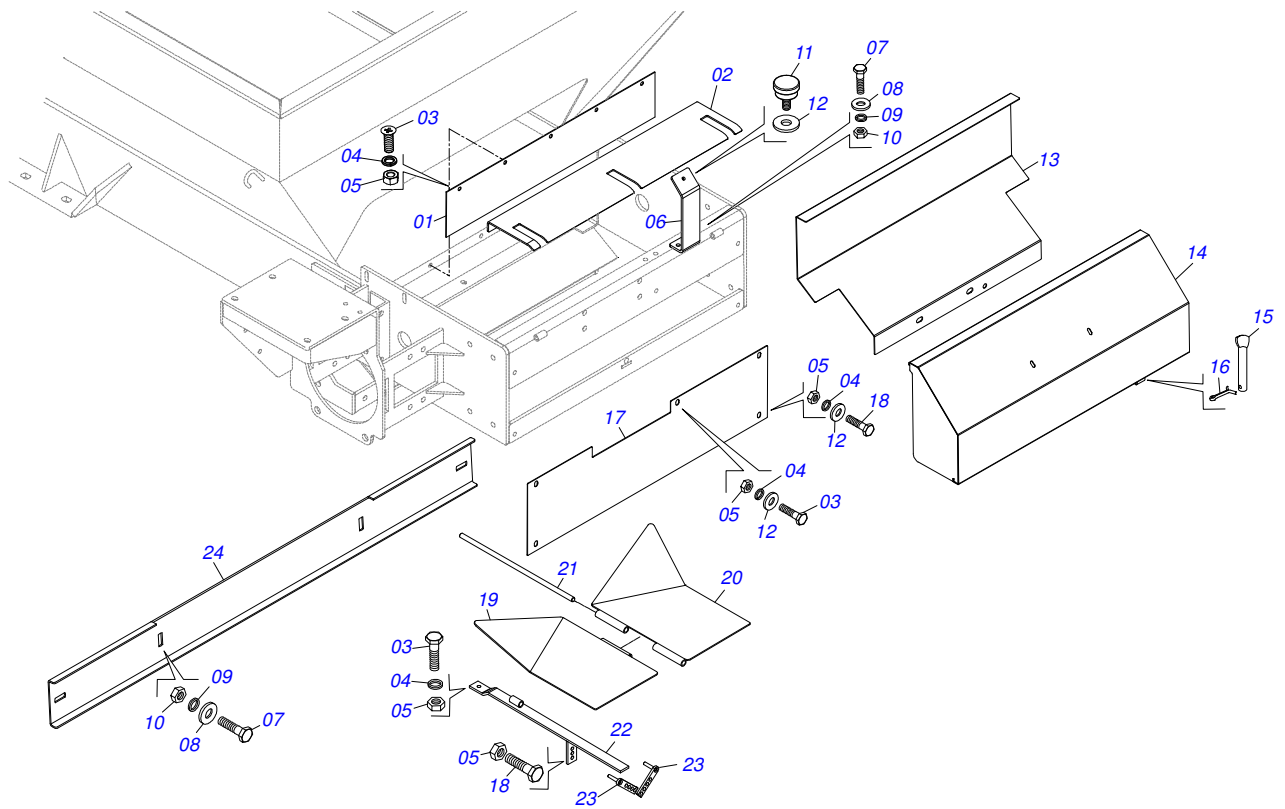


Item	Code	Description	QT
01	0501054013	RIGHT BEARING SUPPORT DISC	02
02	0501053870	DISTRIBUTOR RIGHT DISC ASSY	01
03	0501053871	DISTRIBUTOR LEFT DISC ASSY	01
04	0503011102	PARAFUSO 7/16 UNC X 1.1/4 C S G.5	08
05	0503011446	SPRING WASHER	08
06	0503010244	7/16" NUT	08
07	0503010013	5/8" NUT	04
08	0503010361	SPRING PIN	02
09	0501053868	BELT TENSIONER ASSY	01
10	0503010920	1/2" X 1.1/2" BOLT	04
11	0511017302	FLAT WASHER	04
12	0503011440	SPRING WASHER	04
13	0503010060	1/2" NUT	04
14	0531015149	BELT PROTECTION SIDE	01
15	0503010237	3/8" X 1" BOLT	02
16	0503010025	3/8 SPRING WASHER	06
17	0501010984	FLAT WASHER	04
18	0521063891	FIXER OF PROTECTION	01
19	0503010751	C3/8" X 1.1/4" HEX BOLT G.5	02
20	0503010026	3/8" NUT	04
21	0503012941	C-148 BELT	01
22	0511014052	FLAT WASHER	01
23	0503010355	7/16" X 1" BOLT	01
24	0502011361	REEL 1C 5.5" X 1.1" PULLEY	01
25	0511041213	AGRICULTURAL BEARING	02
26	0501010540	KEYWAY SQUARE	02
27	0531014330	DRIVE AXLE	01
28	0503010899	5/8" X 2-1/4" BOLT	04
29	0501012140	FLAT WASHER	04
30	0503010027	SPRING WASHER	04

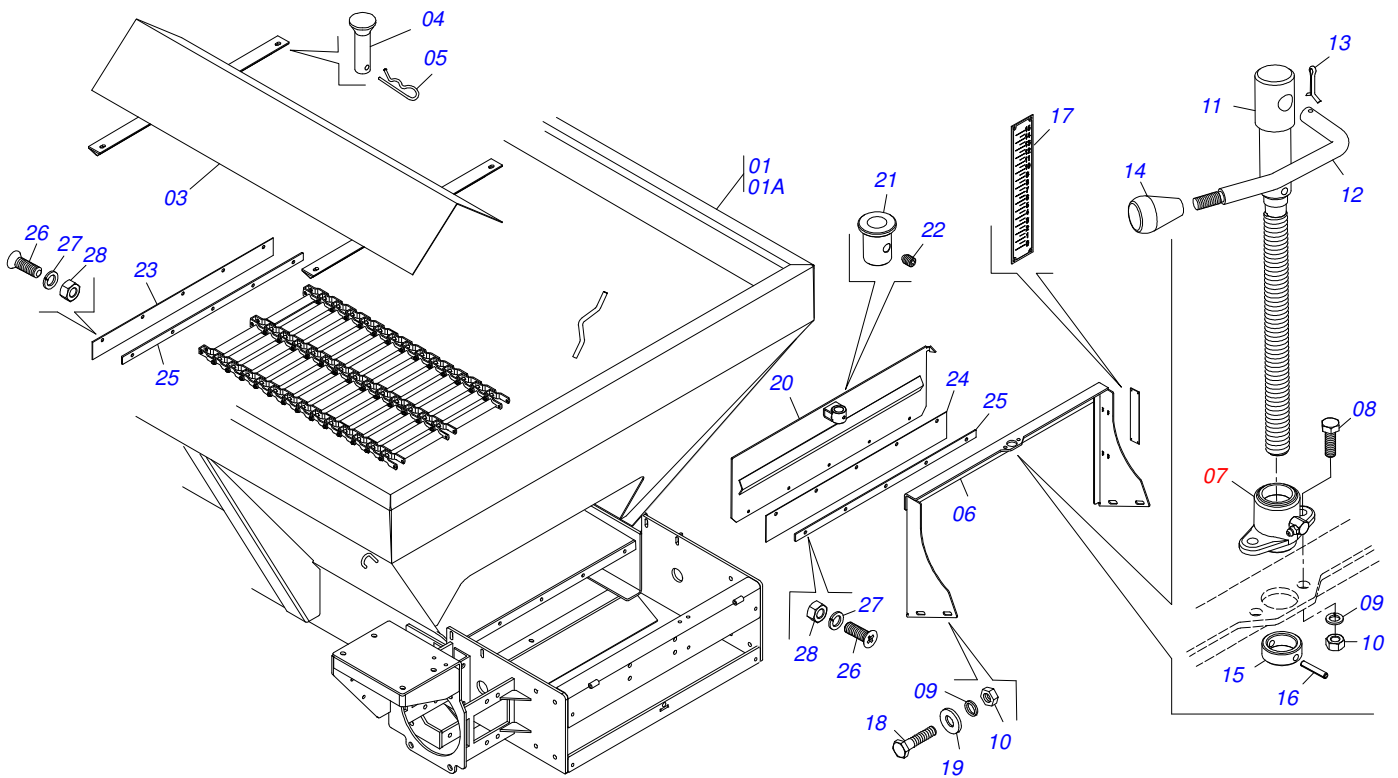


Item	Code	Description	QT
01	0501047985	REDUCER	01
02	0503011167	M16 X 2 X 30 BOLT	04
03	0503011445	SPRING WASHER	04
04	0501010540	KEYWAY SQUARE	02
05	0511016541	REDUCTION COUPLING FLANGE	01
06	0511016540	MAT COUPLING FLANGE	01
07	0503010849	3/8" X 1-1/2" BOLT	02
08	0503010025	3/8 SPRING WASHER	02
09	0503010026	3/8" NUT	02
10	0501044308	AGRICULTURAL BEARING ASSY	02
11	0501010794	HIDR CHOCK REGULATOR	04
12	0531014346	MOTOR SHAFT	01
13	0503010361	SPRING PIN	03
14	0502040728	7Z GEAR	03
15	0503010740	1/2" X 2" BOLT	04
16	0511017302	FLAT WASHER	04
17	0503011440	SPRING WASHER	04
18	0503010060	1/2" NUT	04

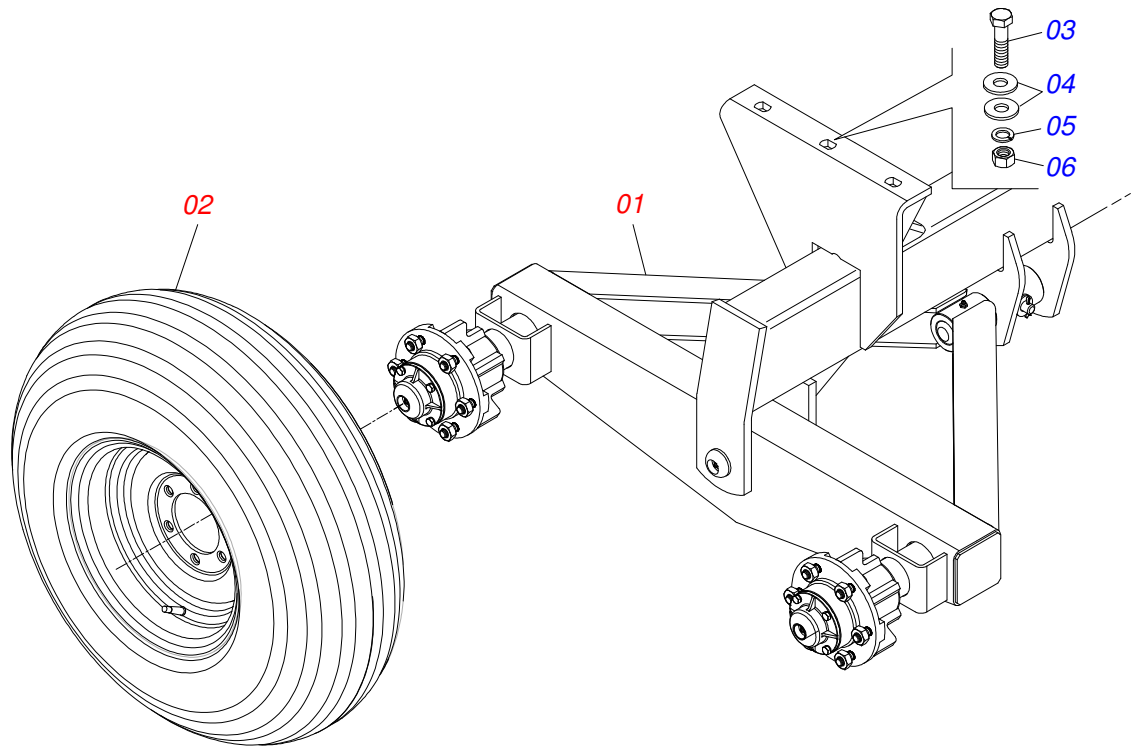




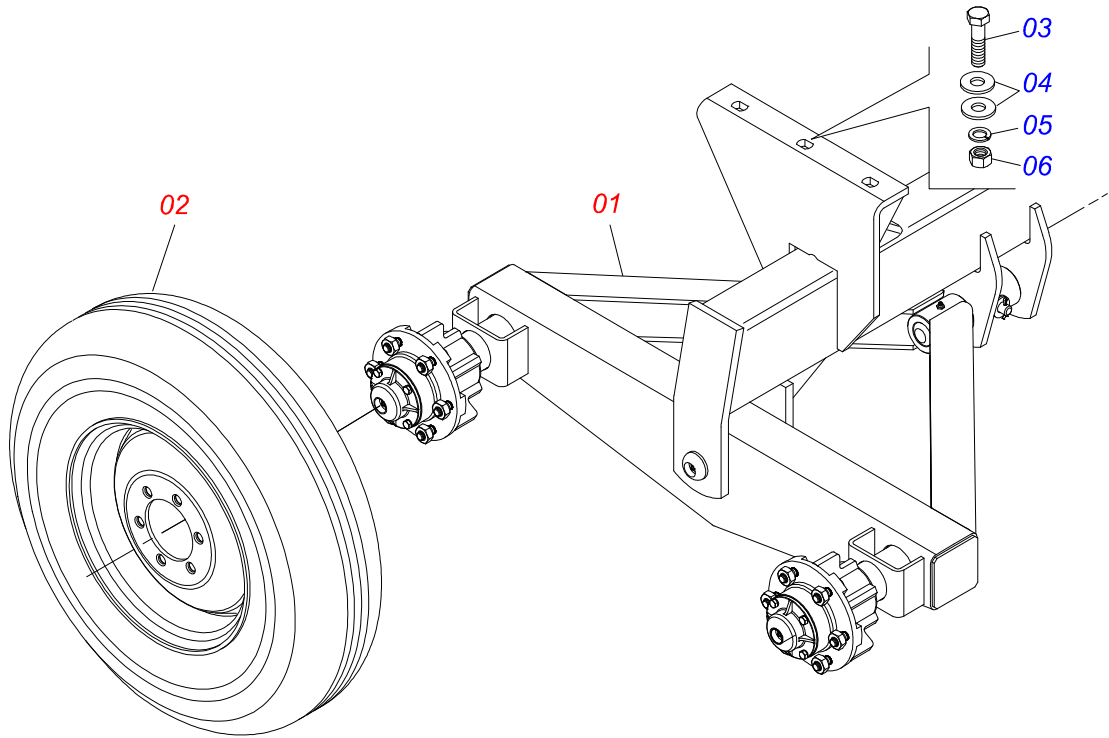
Item	Code	Description	QT
01	0531014337	PROTECTION LARGER	01
02	0531014324	TOOTH COVER	01
03	0503010237	3/8" X 1" BOLT	09
04	0503010025	3/8 SPRING WASHER	11
05	0503010026	3/8" NUT	07
06	0511063668	REAR FIXER COVER	01
07	0503010920	1/2" X 1.1/2" BOLT	03
08	0511017302	FLAT WASHER	03
09	0503011440	SPRING WASHER	03
10	0503010060	1/2" NUT	03
11	0503010386	CABLE	01
12	0501010984	FLAT WASHER	06
13	0531017088	BELT PROTECTION	01
14	0511063408	REAR COVER PROTECTION	01
15	0501017574	0.3" X 2.7" AXLE	02
16	0503010140	1/8" X 3/4" COTTERPIN	02
17	0531014340	REAR PROTECTION	01
18	0503010849	3/8" X 1-1/2" BOLT	03
19	0511063660	LEFT FLOW DIVIDING	01
20	0511063659	RIGHT FLOW DIVIDING	01
21	0531015309	TENSIONER OPEN	01
22	0511063625	REAR DEFLECTOR SUPPORT	01
23	0501067368	DIVISOR REGULATOR OPEN	02
24	0531014338	BAMPER	01



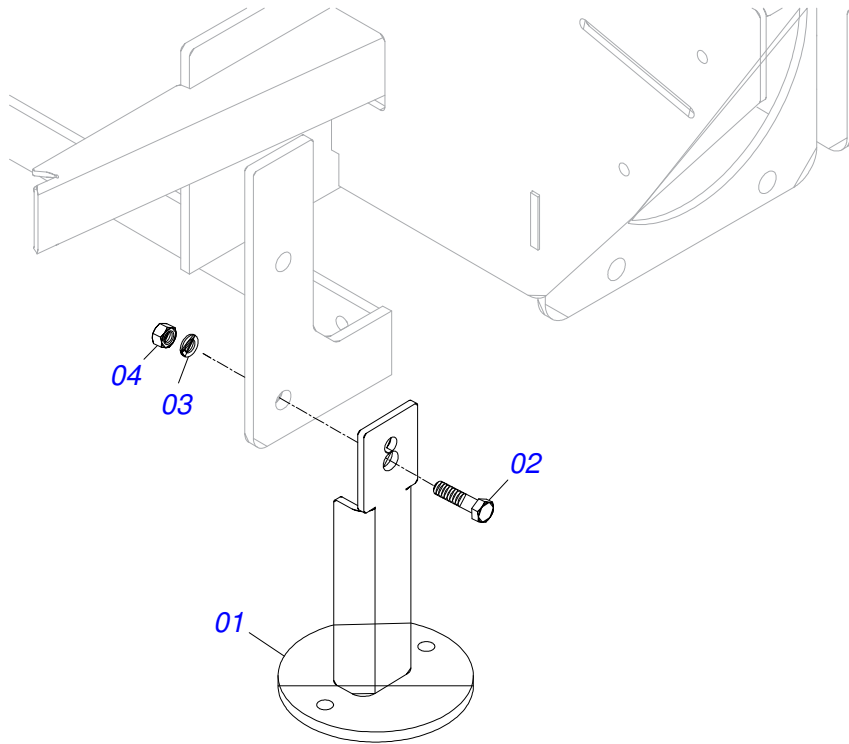
Item	Code	Description	QT
01	0511052151	FRAME WITH BUCKET	01
01A	0521063369	FRAME	01
02	0511063406	DRIVE THE TRANSPORT TALISCA	01
03	0511063658	DEFLECTOR	01
04	0521017623	0.5" X 1.5" COUPLING SHAFT	04
05	0503030168	HAIR PIN	04
06	0511063410	SLUICE VALVE SUPPORT	01
07	0511059094	SHAFT BEARING THREADED	01
08	0503010237	3/8" X 1" BOLT	02
09	0503010025	3/8 SPRING WASHER	02
10	0503010026	3/8" NUT	02
11	0561014861	REGULATOR	01
12	0521011107	CRANK BODY	01
13	0503010257	1/8" X 1" COTTERPIN	01
14	0503030878	LEVER CRANK	01
15	0511013015	SLEEVE	01
16	0503010561	SPRING PIN	01
17	0503030751	REGULATOR PLATE	01
18	0503011268	3/8" X 2-1/2" BOLT	04
19	0501010984	FLAT WASHER	04
20	0511063413	SLUICE VALVE COVER	01
21	0501019831	ADJUSTING NUT	01
22	0503011148	3/8" X 1/2" BOLT	01
23	0531014336	31.4"X3.1"X 0.1" PROTECTION SMALLER	01
24	0531014337	PROTECTION LARGER	01
25	0531014331	SLUICE VALVE FIXER COVER	02
26	0503010814	5/16" X 3/4" BOLT	10
27	0503011444	SPRING WASHER	10
28	0503010337	5/16" NUT	10



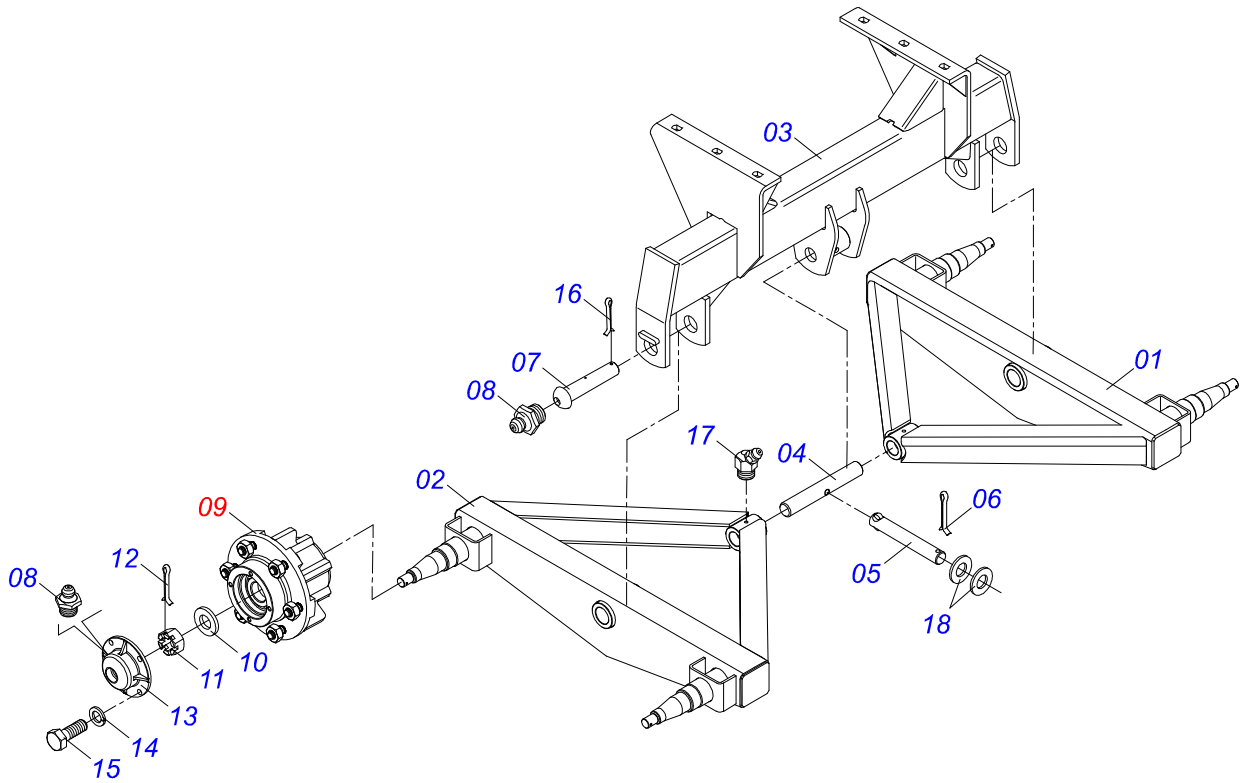
Item	Code	Description	QT
01	0511041064	SUPT FIX BALANCIM COMPL DCCO 7500	01
02	0503060181	WHEEL AND TIRE	04
03	0503010899	5/8" X 2-1/4" BOLT	06
04	0501012140	FLAT WASHER	12
05	0503010027	SPRING WASHER	06
06	0503010013	5/8" NUT	06



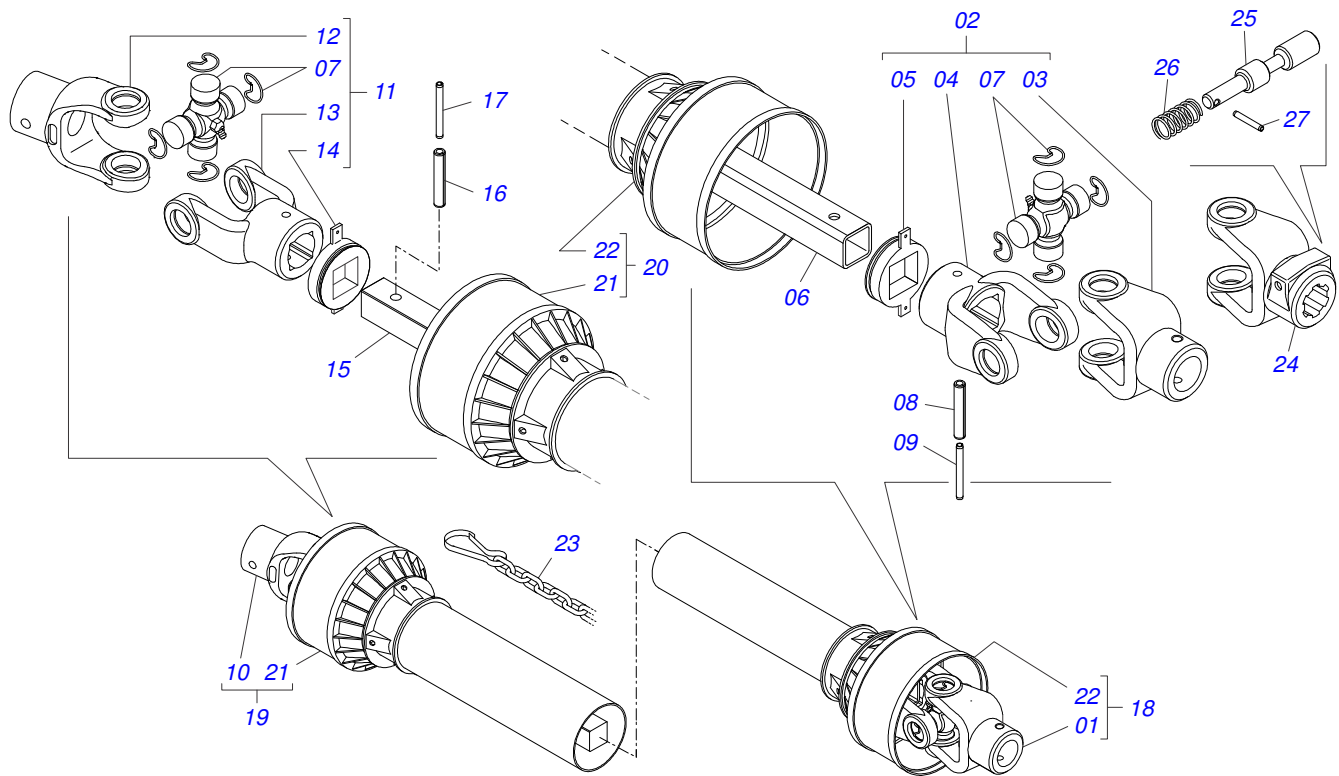
Item	Code	Description	QT
01	0511041064	SUPT FIX BALANCIM COMPL DCCO 7500	01
02	0503060206	29.5"X0.6"- 10L WHEEL AND TIRE ASSY	04
03	0503010899	5/8" X 2-1/4" BOLT	06
04	0501012140	FLAT WASHER	12
05	0503010027	SPRING WASHER	06
06	0503010013	5/8" NUT	06



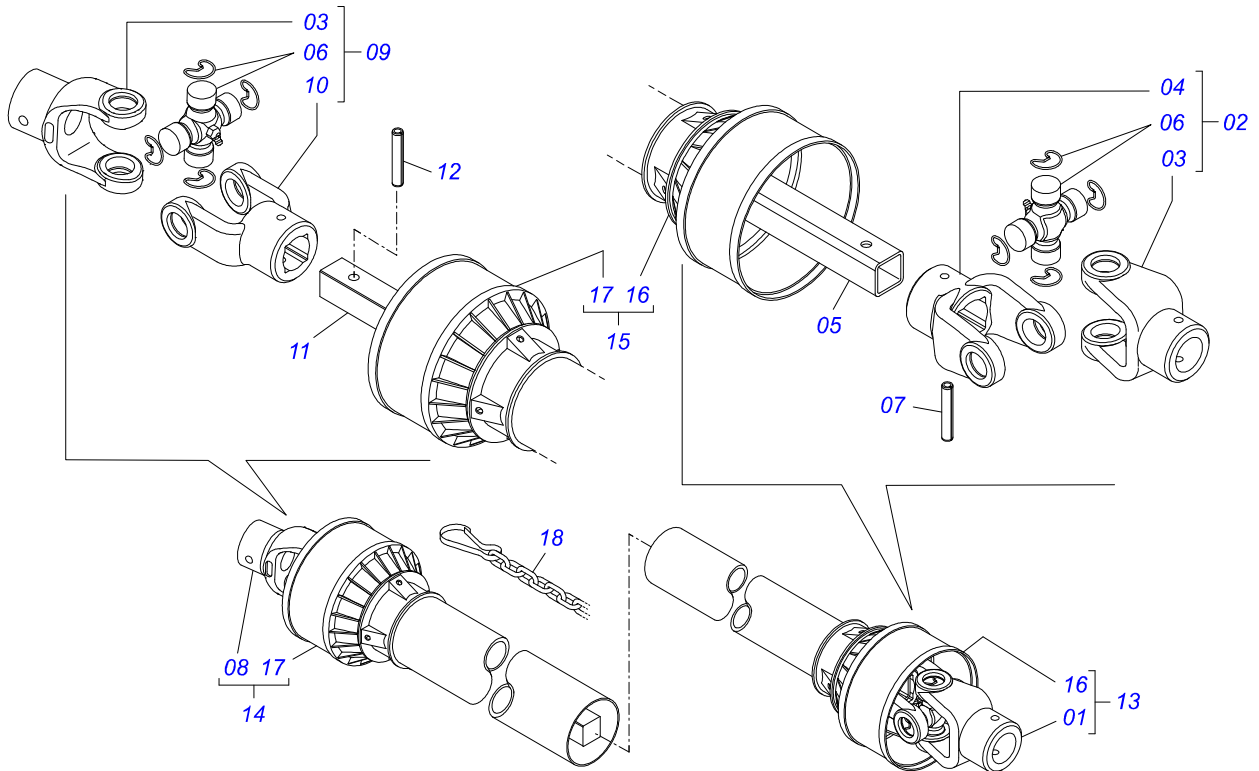
Item	Code	Description	QT
01	0521067015	SUPPORT PROTETION DISC	02
02	0503011267	5/8" X 1.1/2" BOLT	02
03	0503011445	SPRING WASHER	02
04	0503010013	5/8" NUT	02



Item	Code	Description	QT
01	0501069182	RIGHT ROCKER ARM	01
02	0501069183	LEFT ROCKER ARM	01
03	0511063405	BELL CRANK FIXATION SUPPORT	01
04	0521011118	COUPLING SHAFT	01
05	0521010553	0.5" X 3" COUPLING SHAFT	01
06	0503010257	1/8" X 1" COTTERPIN	01
07	0521010956	PIVOT SHAFT	02
08	0503010002	1800 GREASE FITTING	06
09	0501051142	CARRYING WHEEL HUB	04
10	0501016545	FLAT WASHER	04
11	0503030009	1" CASTLE NUT	04
12	0503010131	3/16" X 1-1/2" COTTERPIN	04
13	0502020591	PROTECCION COVER	04
14	0503011444	SPRING WASHER	16
15	0503010358	5/16" X 5/8" BOLT	16
16	0503010534	3/8 X 2-1/2 COTTERPIN	02
17	0503010003	1845 GREASE FITTING	02
18	0511017302	FLAT WASHER	02

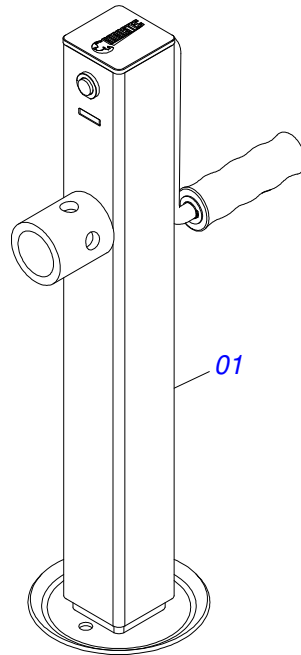


Item	Code	Description	QT
01	0501052176	SLEEVE UNIVERSAL JOINT	01
02	0501050265	UNIVERSAL JOINT	01
03	0501050333	1-40 TERMINAL WITH HITCH	01
04	0502010565	2-40 TERMINAL W/ SH 1.5"/1.5"	01
05	0503012069	ADAPTER FOR BUSHING PROTECT	01
06	0521013800	16" X 1.4" SQUARE SLEEVE	01
07	0503010836	CARDAN CROSSPIECE	02
08	0503011069	0.4" X 2.8" SPRING PIN	01
09	0503010510	0.2" X 2.6" SPRING PIN	01
10	0501052177	AXLE UNIVERSAL JOINT	01
11	0501052178	UNIVERSAL JOINT	01
12	0502011611	9-40 TERMINAL	01
13	0502010566	3-40 TERMINAL W/ SH 1.2"/1.2"	01
14	0503012070	ADAPTER FOR AXLE PROTECTION	01
15	0521013801	1.2" X 15.7" SQUARE SHAFT	01
16	0503010361	SPRING PIN	01
17	0503010756	0.2" X 2.4" SPRING PIN	01
18	0501052179	PROT/SLEEVE UNIVERSAL JOINT	01
19	0501052180	PROT/AXLE UNIVERSAL JOINT	01
20	0503012277	PROTECTION ASSY	01
21	0503012279	PROTECTION FOR UNIV JOINT AND AXLE	01
22	0503012278	PROTECTION FOR UNIV JOINT SLEEVE	01
23	0503012023	CHAIN FOR UNIV JOINT PROTECTION	02
24	0502010563	1-40 STRIATED 1.3/8" TERMINAL	01
25	0521010638	0.5" X 3.3" QUIC HITCH COUPL SHAFT	01
26	0503030518	0.5"X1.0"X 0.1" COMPRESSION SPRING	01
27	0503010838	0.1" X 0.8" SPRING PIN	01

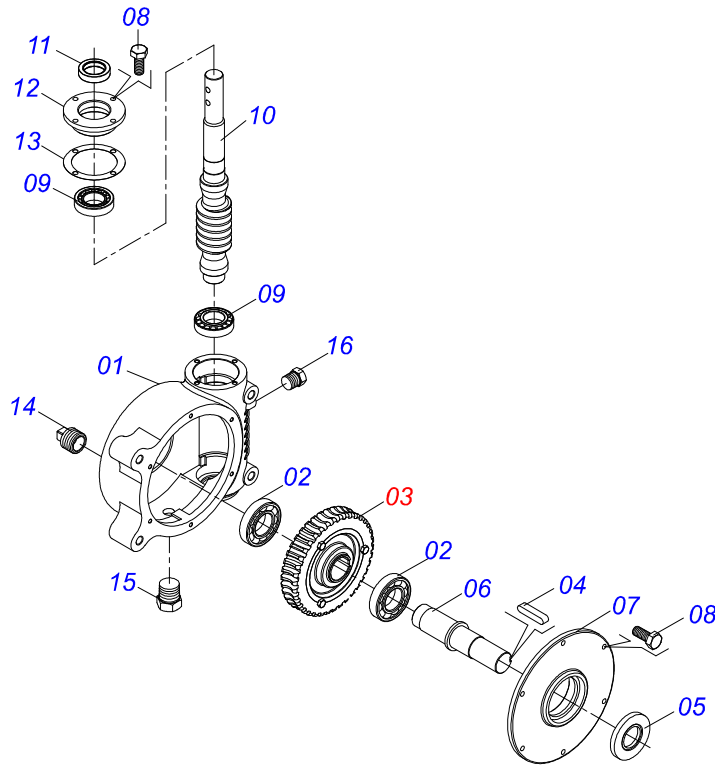


Item	Code	Description	QT
01	0501052166	SLEEVE UNIVERSAL JOINT	01
02	0501051718	UNIVERSAL JOINT	01
03	0502010558	4-20 TERMINAL WITH ROLES	02
04	0502011426	2-20 TERMINAL	01
05	0521013798	0.9" X 35" SQUARE SLEEVE	01
06	0503010835	CARDAN CROSSPICE	02
07	0503010839	03"X 0.6" SPRING PIN	01
08	0501052167	AXLE UNIVERSAL JOINT	01
09	0501051720	UNIVERSAL JOINT	01
10	0502011427	3-20 TERMINAL	01
11	0521013795	0,9" X 35" SQUARE SHAFT	01
12	0503010301	0.3" X 1.8" SPRING PIN	01
13	0501052168	PROT/SLEEVE UNIVERSAL JOINT	01
14	0501052169	PROT/AXLE UNIVERSAL JOINT	01
15	0503012271	PROTECTION ASSY	01
16	0503012272	PROTECTION FOR UNIV JOINT SLEEVE	01
17	0503012273	PROTECTION FOR UNIV JOINT AND AXLE	01
18	0503012023	CHAIN FOR UNIV JOINT PROTECTI	02

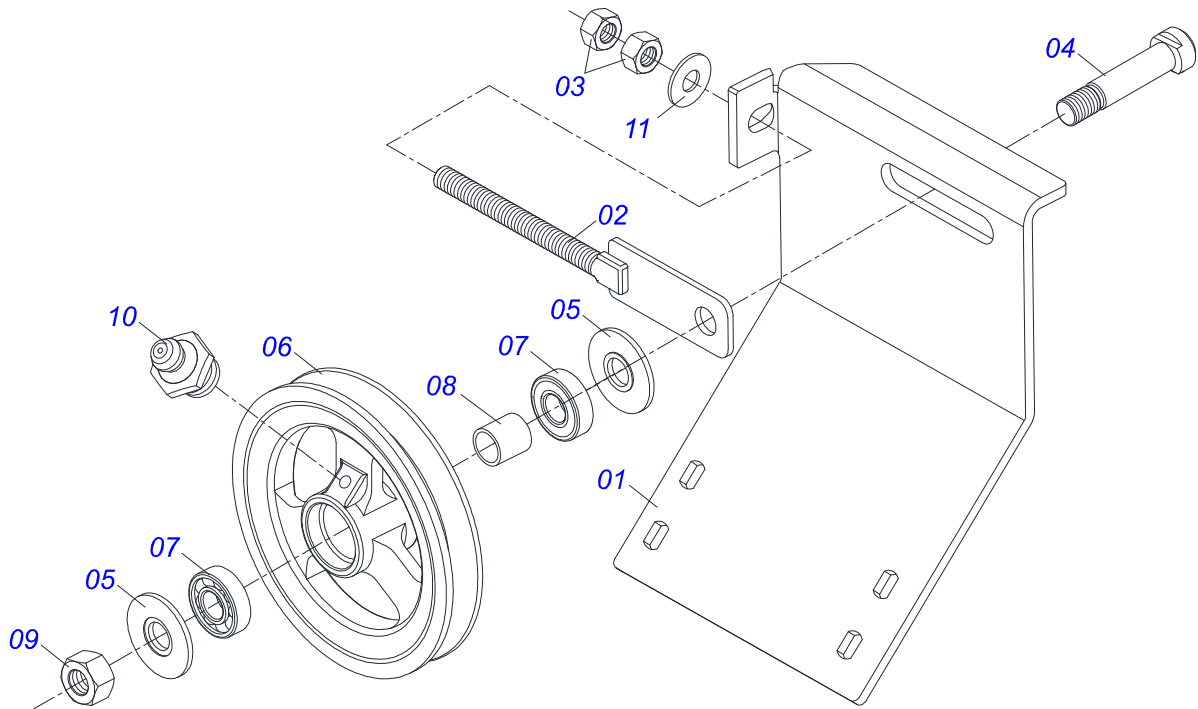




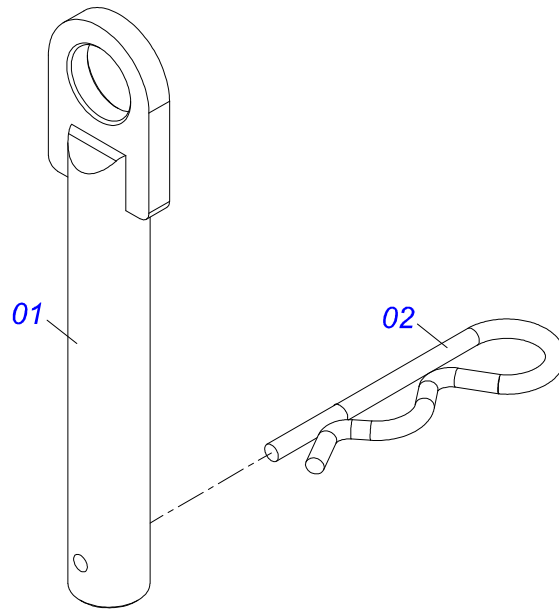
Item	Code	Description	QT
01	0503062157	HEADER JACK	01



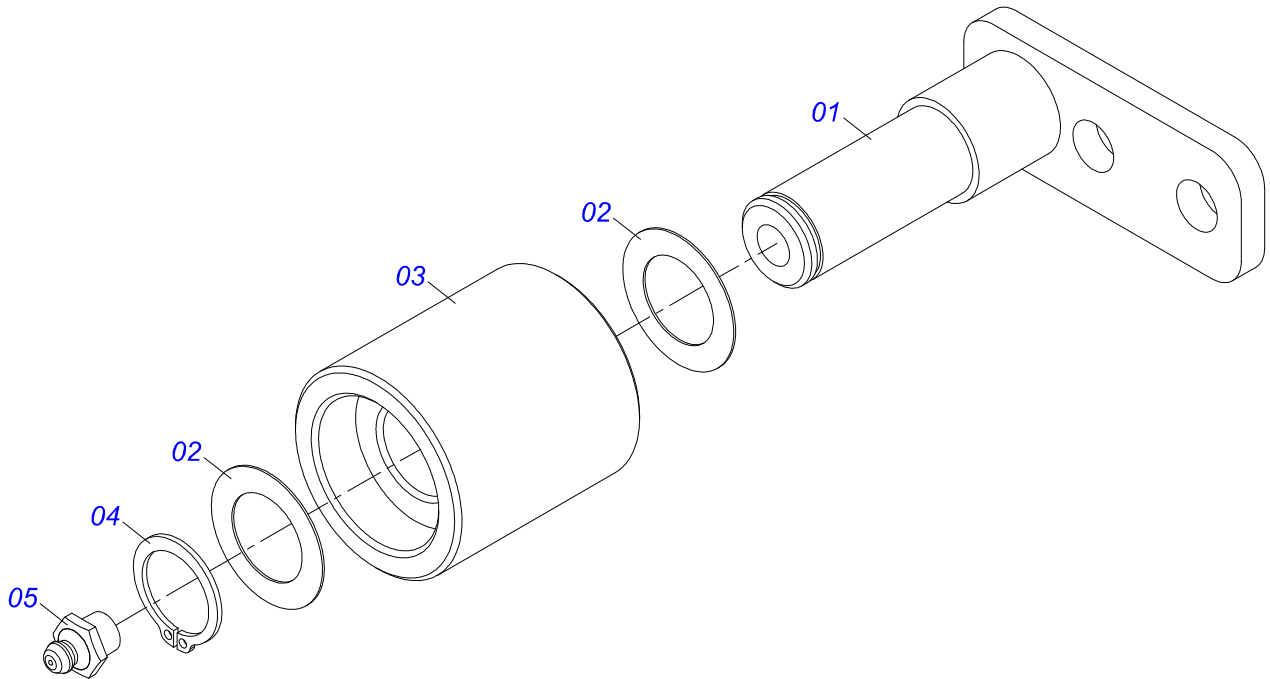
Item	Code	Description	QT
01	0502011456	REDUCTION BOX	01
02	0503011095	6208 BALL BEARING	02
03	0501051774	38Z CONICAL	01
04	0503011304	1/2" X 2.4" KEYWAY SQUARE	01
05	0503010818	02675-BRG SEAL	01
06	0521010996	AXLE	01
07	0502020556	LARGER COVER	01
08	0503010240	5/16" X 3/4" BOLT	10
09	0503010016	BEARING LM	02
10	0521010997	SCREW THEAD	01
11	0503011171	00912-BRG SEAL	01
12	0502011457	SMALLER COVER	01
13	0503030981	102 X 75,5 X 0,10 JOINT	01
14	0521011023	PLUG	01
15	0503031604	1/2" BSP PLUG	01
16	0503010856	OIL PLUG	01



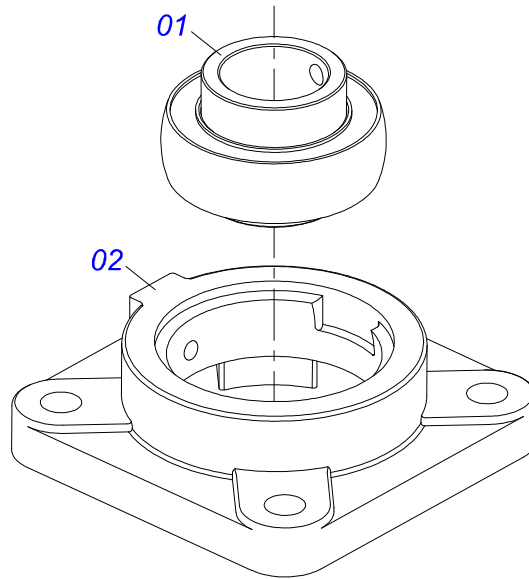
Item	Code	Description	QT
01	0531014326	PULLEY BODY SUPPORT	01
02	0511064818	PULLEY TENSIONER	01
03	0503010013	5/8" NUT	02
04	0511012362	TIGHTENER AXLE PULLEY	01
05	0501019288	WASHER SPACER	02
06	0502011366	REEL 1C 8.3" X 1.6" PULLEY	01
07	0503010690	6204 BALL BEARING	02
08	0521010497	0.8" X 1.1" X 1.1" SPACER	01
09	0503010014	3/4" NUT	01
10	0503010002	1800 GREASE FITTING	01
11	0501012140	FLAT WASHER	01



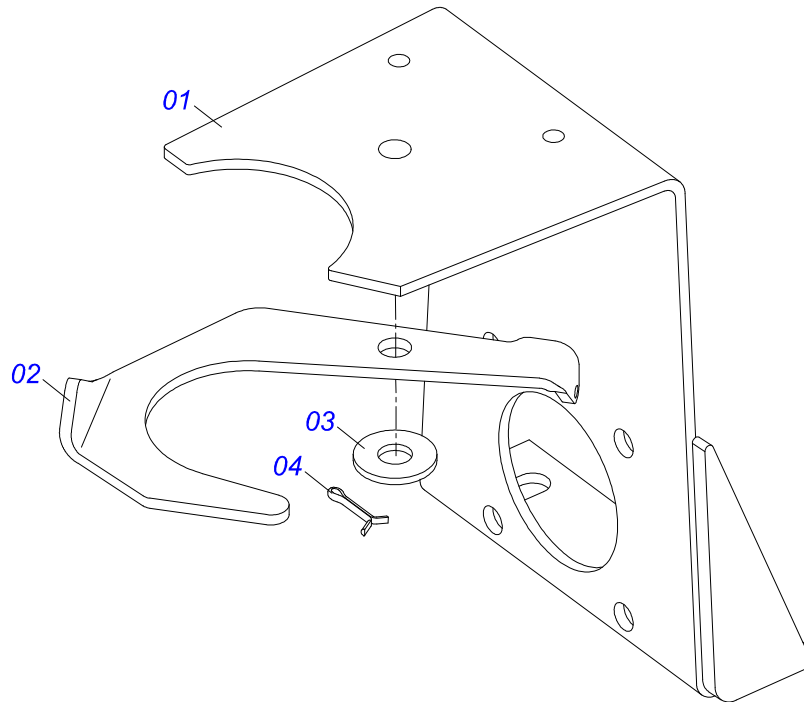
Item	Code	Description	QT
01	0501068989	COUPLING SHAFT	01
03	0503031035	HAIR PIN	01



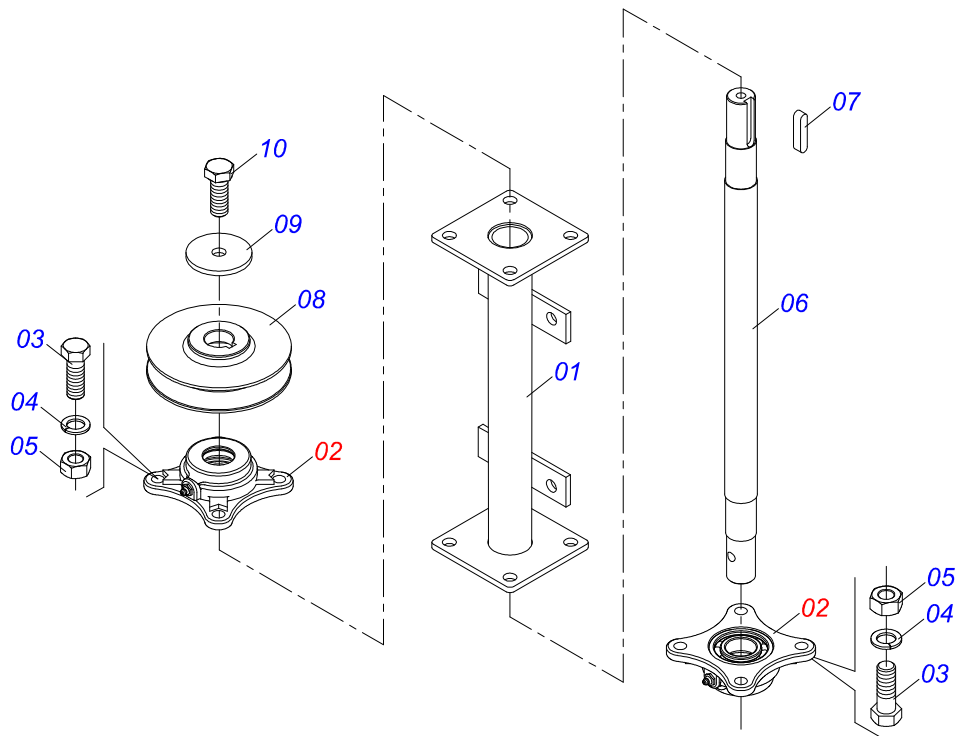
Item	Code	Description	QT
01	0501067692	BELT TENSIONER BODY	01
02	0511015098	FLAT WASHER	02
03	0511017041	TENSIONER ROLD	01
04	0503010302	501019 SEAL RING	01
05	0503010002	1800 GREASE FITTING	01



Item	Code	Description	QT
01	0503011162	BALL BEARING	01
02	0503011146	HOUSING BEARING	01

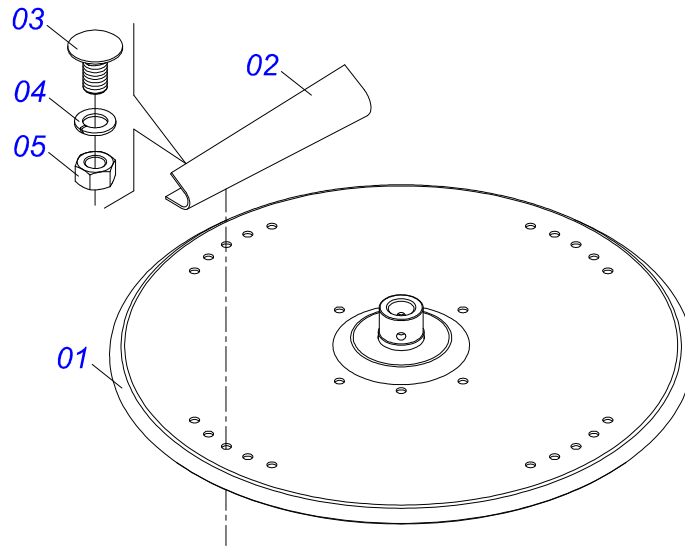


Item	Code	Description	QT
01	0501066588	CARDAN LARGE SUPPORT	01
02	0511014066	CARDAN SMALLE SUPPORT	01
03	0511017302	FLAT WASHER	01
04	0503010257	1/8" X 1" COTTERPIN	01

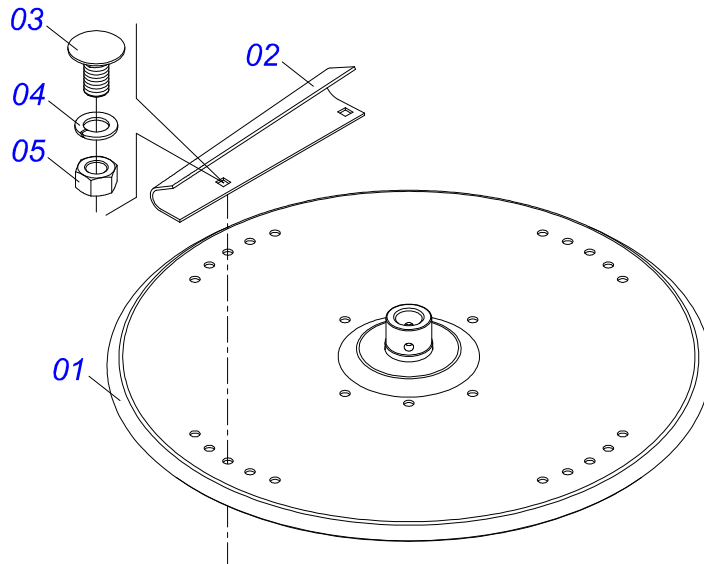


Item	Code	Description	QT
01	0511063742	DISTRIBUTOR RIGHT/LEFT SUPPORT	01
02	0501048000	AGRICULTURAL BEARING	02
03	0503011135	7/16" X 1-1/2" BOLT	08
04	0503011446	SPRING WASHER	08
05	0503010244	7/16" NUT	08
06	0511016489	DISTRIBUTOR AXLE CONDUCTOR DISC	01
07	0501010536	KEYWAY SQUARE	01
08	0502011361	REEL 1C 5.5" X 1.1" PULLEY	01
09	0511014052	FLAT WASHER	01
10	0503010237	3/8" X 1" BOLT	01

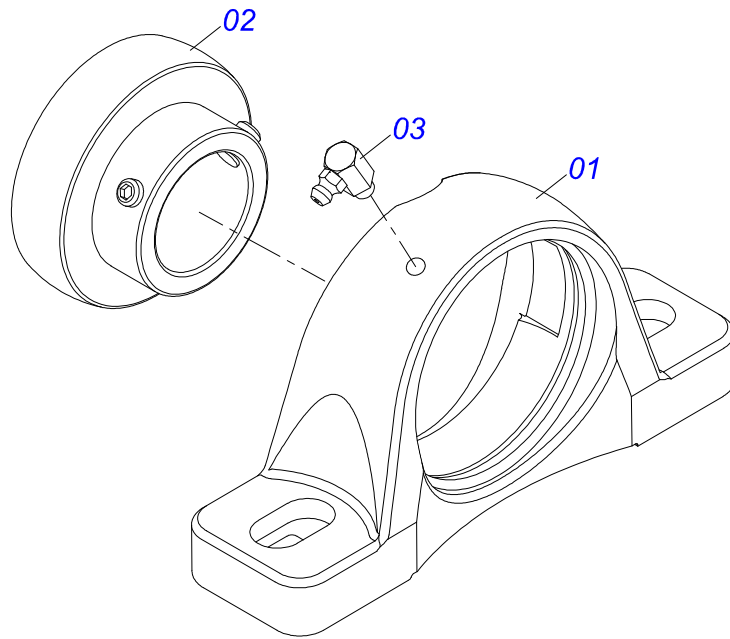




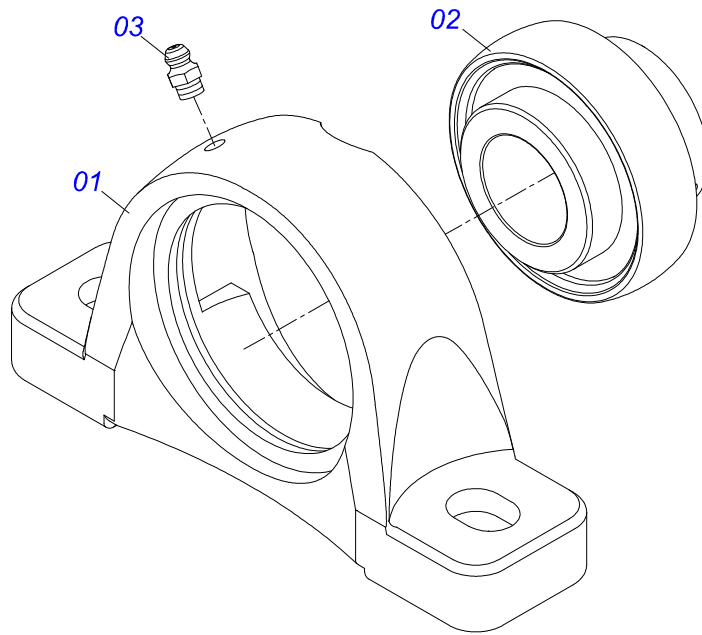
Item	Code	Description	QT
01	0511063411	DISTRIBUTOR DISC	01
02	0531014343	RH FLIP	04
03	0503013029	3/8" X 3/4" BOLT	08
04	0503011443	SPRING WASHER	08
05	0503010026	3/8" NUT	08



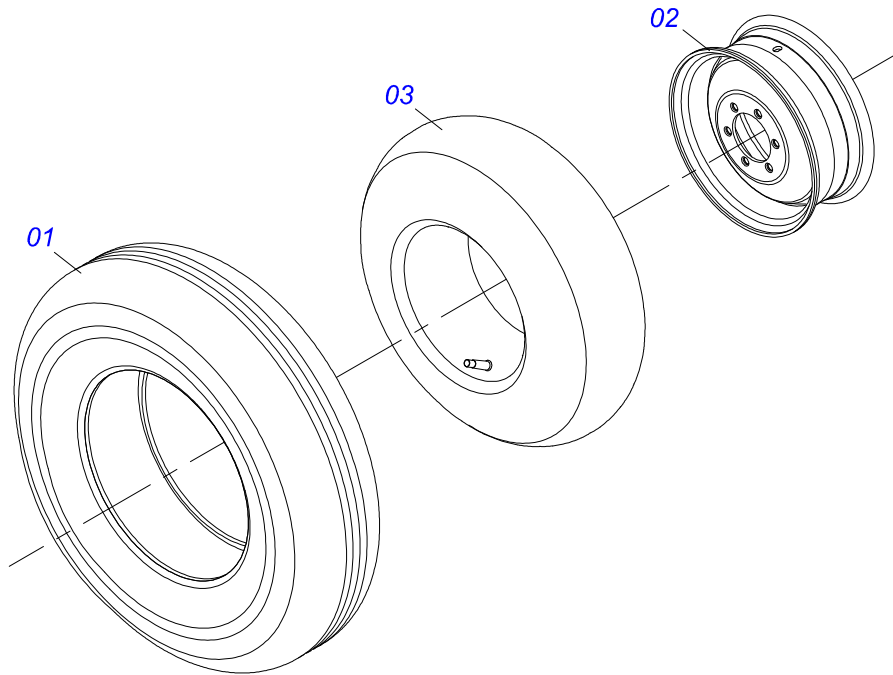
Item	Code	Description	QT
01	0511063411	DISTRIBUTOR DISC	01
02	0531014344	LH FLIP	04
03	0503013029	3/8" X 3/4" BOLT	08
04	0503011443	SPRING WASHER	08
05	0503010026	3/8" NUT	08



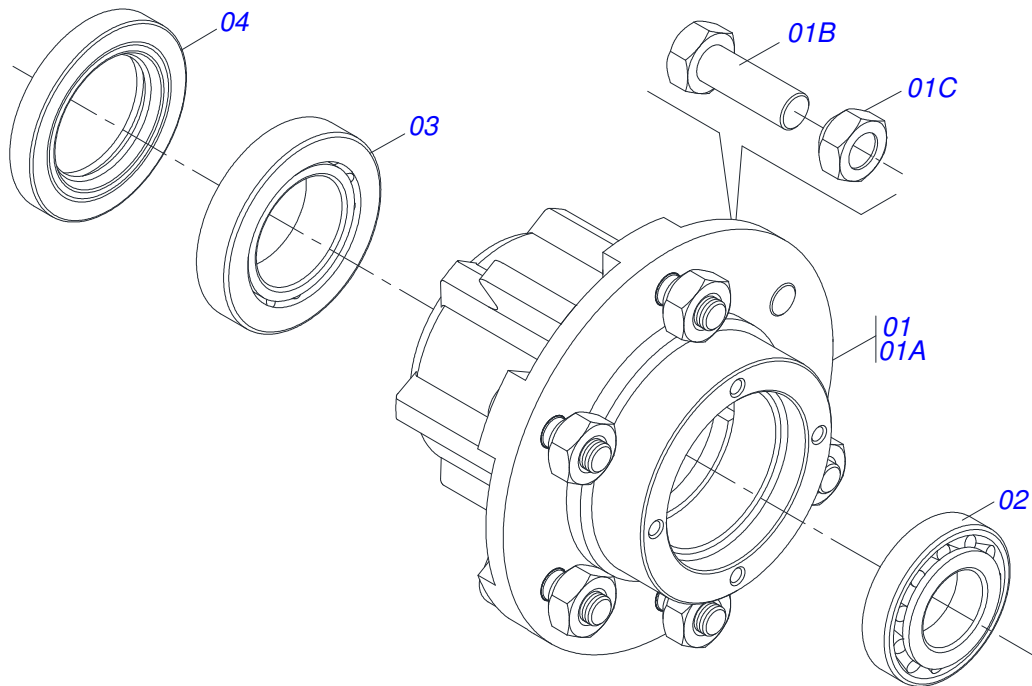
Item	Code	Description	QT
01	0502011050	AGRICULTURAL HOUSING BEARING	01
02	0503011163	1108/UCR BEARING ASSY	01
03	0503010004	1890 GREASE FITTING	01



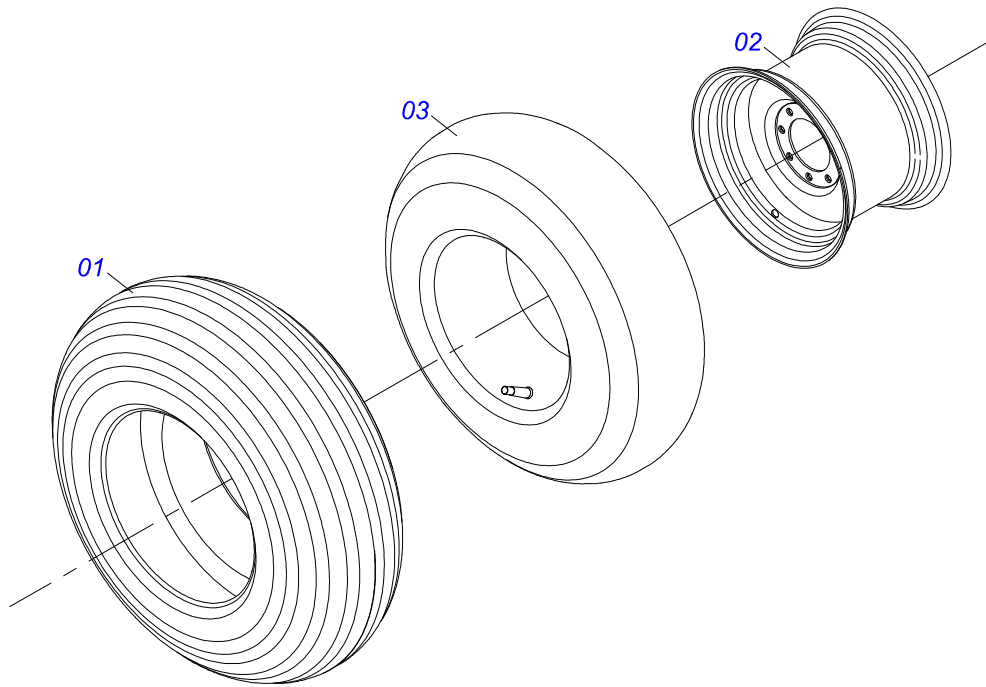
Item	Code	Description	QT
01	0502011954	AGRICULTURAL HOUSING BEARING	01
02	0503011884	BALL BEARING	01
03	0503010691	1/4" GREASE FITTING	01



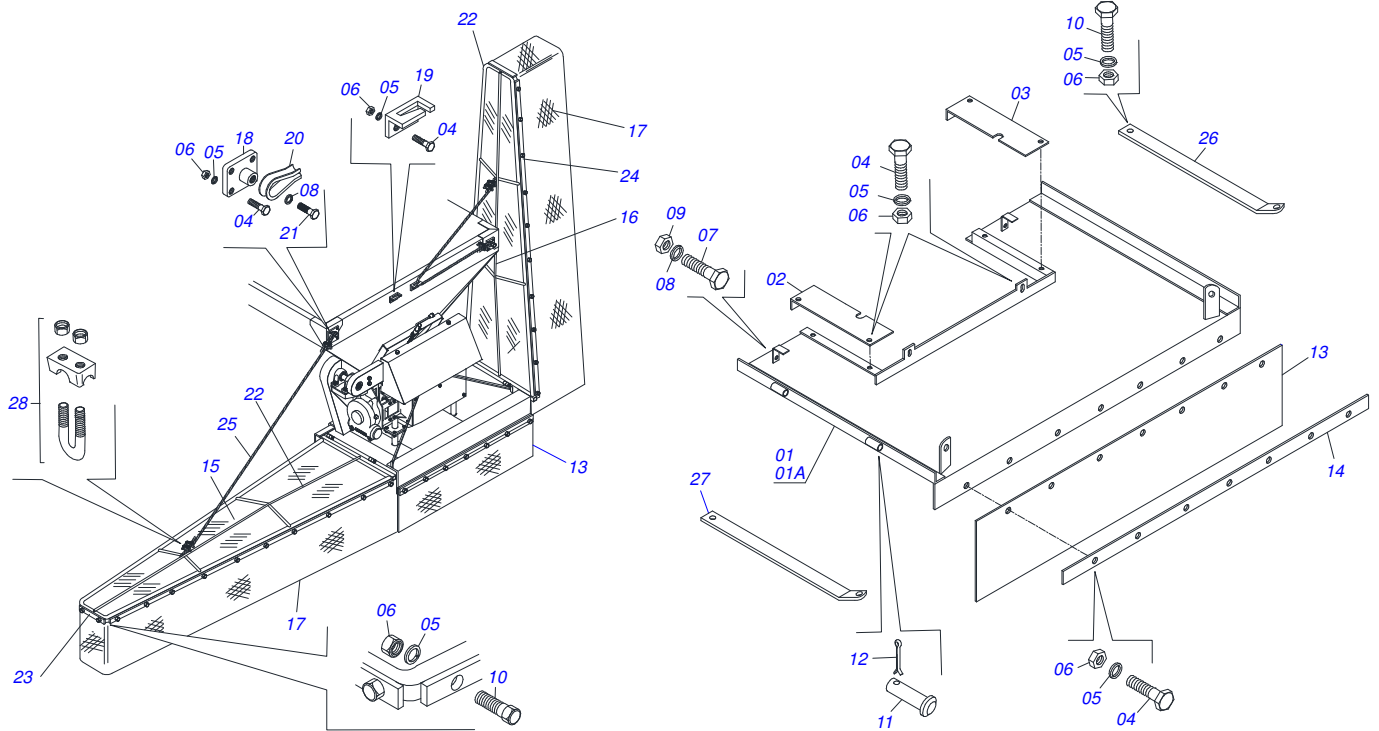
Item	Code	Description	QT
01	0503010120	CANVAS TIRE	01
02	0521062708	WHEEL 5,50 X 16 X 118 X 6F 16,50 X 152,40	01
03	0503010033	7.50 X 16 INNER TIRE	01



Item	Code	Description	QT
01	0501110728	WHEEL HUB	01
01A	0502011121	CARRYING WHEEL HUB	01
01B	0501010127	9/16" X 1-7/8" LUG BOLT	06
01C	0503010035	9/16" CONIC NUT	06
02	0503010037	30207 ROLLER BEARING	01
03	0503010006	32210 ROLLER BEARING	01
04	0503012928	SEAL	01

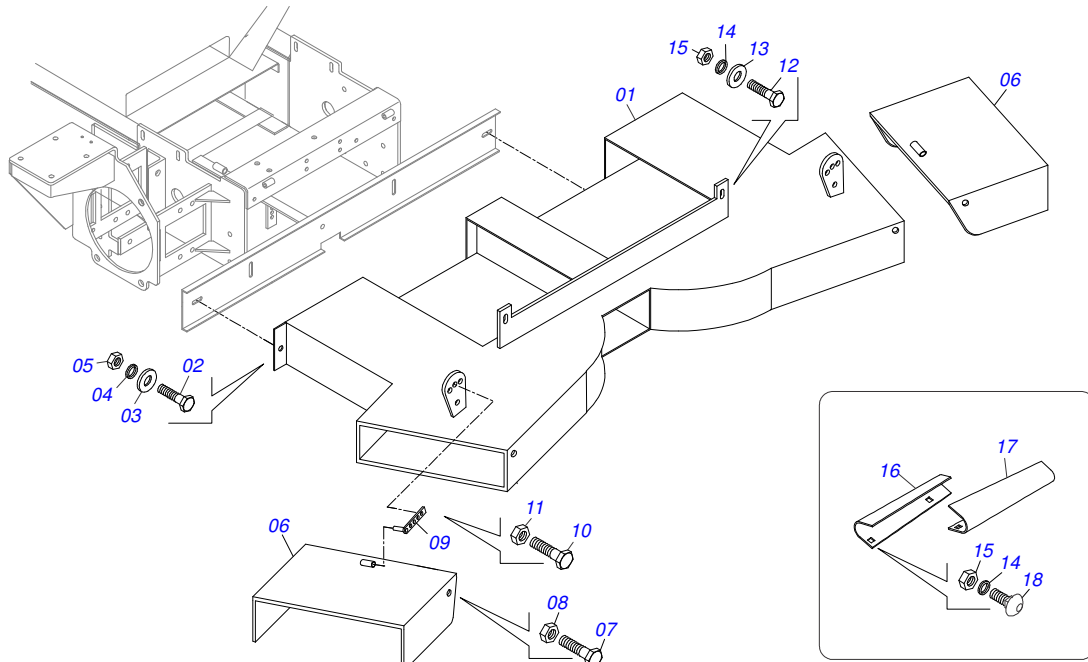


Item	Code	Description	QT
001	0503010858	CANVAS TIRE	01
002	0503011468	WEEL	01
003	0503010860	CAMARA AR 11L 15	01



Item	Code	Description	QT
01	0511040996	DAMPER ASSY DCCO 2500/5500/7500	01
01A	0511063700	DAMPER FRAME CENTER	01
02	0511017104	RIGHT COVER SIDE	01
03	0511017105	LEFT COVER SIDE	01
04	0503010237	3/8" X 1" BOLT	68
05	0503010025	3/8 SPRING WASHER	71
06	0503010026	3/8" NUT	71
07	0501010063	1/2" X 1-1/2" BOLT	02
08	0503010019	1/2" SPRING WASHER	04
09	0503010060	1/2" NUT	02
10	0501010080	3/8" BOLT	04
11	0511013803	PIN	04
12	0503010131	3/16" X 1-1/2" COTTERPIN	04
13	0531017727	64" X 16" X 0.1" REAR PROTECTION	01
14	0531017726	REAR RIBBON FIXER BLANKET	01
15	0501066442	RIGHT WING	01
16	0501066443	LEFT WING	01
17	0511013808	BLANKET RUBBER	02
18	0501066515	STELL SUPPORT CABLO	02
19	0501066514	STELL GUIDE CABLO	02
20	0503011202	BRACKET	04
21	0503010834	1/2 X 1 BOLT	02
22	0511013809	SUPPORT PROTECTION	02
23	0511013806	FIXER CANVAS RIBBON	02
24	0511013793	FIXER SUPPORT CANVAS	04
25	0511013817	STELL CABLE	02
26	0531017784	RIGHT FRENCH HAND	01
27	0531017785	LEFT FRENCH HAND	01
28	0503010165	5/16" CABLO STEEL STAPLE	08





Item	Code	Description	QT
00	0511041267	CONTROLLER DCCO ASSY	01
01	0511064253	CONTROLLER DCCO	01
02	0503010395	1/2" X 1-1/4" BOLT	02
03	0511017302	FLAT WASHER	02
04	0503010019	1/2" SPRING WASHER	02
05	0503010060	1/2" NUT	02
06	0511064254	CONTROLLER SPOUT	02
07	0503010240	5/16" X 3/4" BOLT	04
08	0503010337	5/16" NUT	04
09	0501067368	DIVISOR REGULATOR OPEN	02
10	0503010751	C3/8" X 1.1/4" HEX BOLT G.5	02
11	0503010026	3/8" NUT	02
12	0503010849	3/8" X 1-1/2" BOLT	02
13	0501010984	FLAT WASHER	02
14	0503010025	3/8 SPRING WASHER	06
15	0503010026	3/8" NUT	06
16	0531019164	RH FLIP SMALLE	04
17	0531019165	LH FLIP SMALLE	04
18	0503010256	3/8" X 3/4" BOLT	16





email: [civemasa@civemasa.com.br](mailto:civemasa@civemasa.com.br)

[www.civemasa.com.br](http://www.civemasa.com.br)

Phone: +55 16.3382.8222

Fax: +55 16.3382.8355

## MARCHESAN IMPLEMENTOS E MÁQUINAS AGRÍCOLAS "TATU" S.A.

Av. Marchesan, 1979 - Post Office box, 131 - Cep 15994-900 - Matão - Sp - Brasil

CNPJ 52.311.289/0001-63 | Inst. Est.441.000.151.114

**Technical Publications: Elaboration**

ALESSANDRA PATRICIA KAWAHARA CARRILI

**Technical Publications: Revision**

ALESSANDRA PATRICIA KAWAHARA CARRILI

Contact Catálogo:

E-mail = [jgaspari@marchesan.com.br](mailto:jgaspari@marchesan.com.br)

ORIGINAIS PARTS  
CIVEMASA