

SUBSOILER PLOUGH

STAC P 500 - 1000L

Code: 0501092049

Series: S-0617

Revision: 00

Revision Date: MARÇO/2022

PARTS CATALOGUE

CIVEMASA

A solid orange horizontal bar is positioned at the top left of the page, above the "PRODUCTS" heading.

PRODUCTS

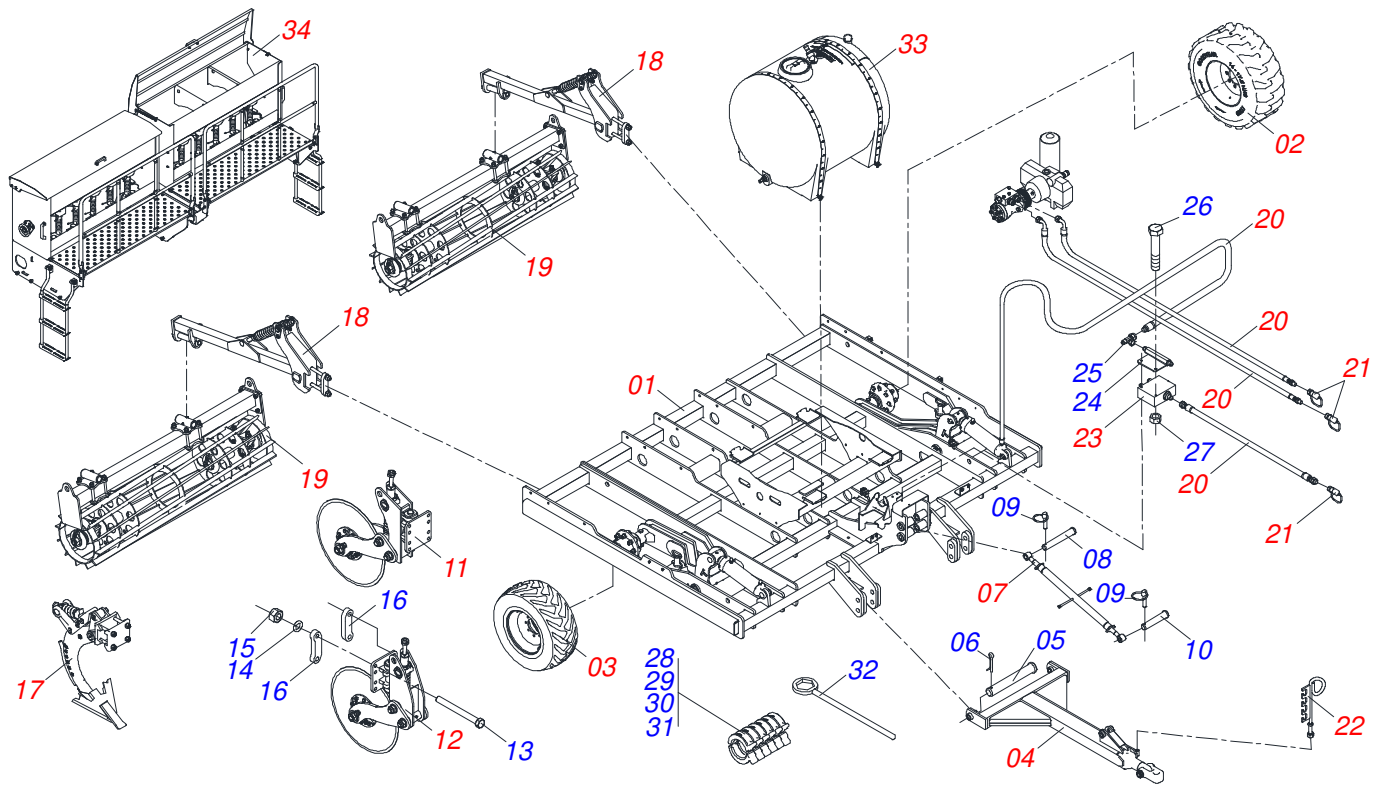
Code	Description
0120370315	STAC P 500 7H T1000L CX SEM DC RD S-0617
0120370316	STAC P 500 7H T1000L DC RD S-0617

ATTENTION: IMPORTANT

CIVEMASA reserves the right to improve and/or modify the technical features of its products, without obligation to do the same with those products already sold and without prior knowledge of the dealer or the customer. The photos are only illustrative.

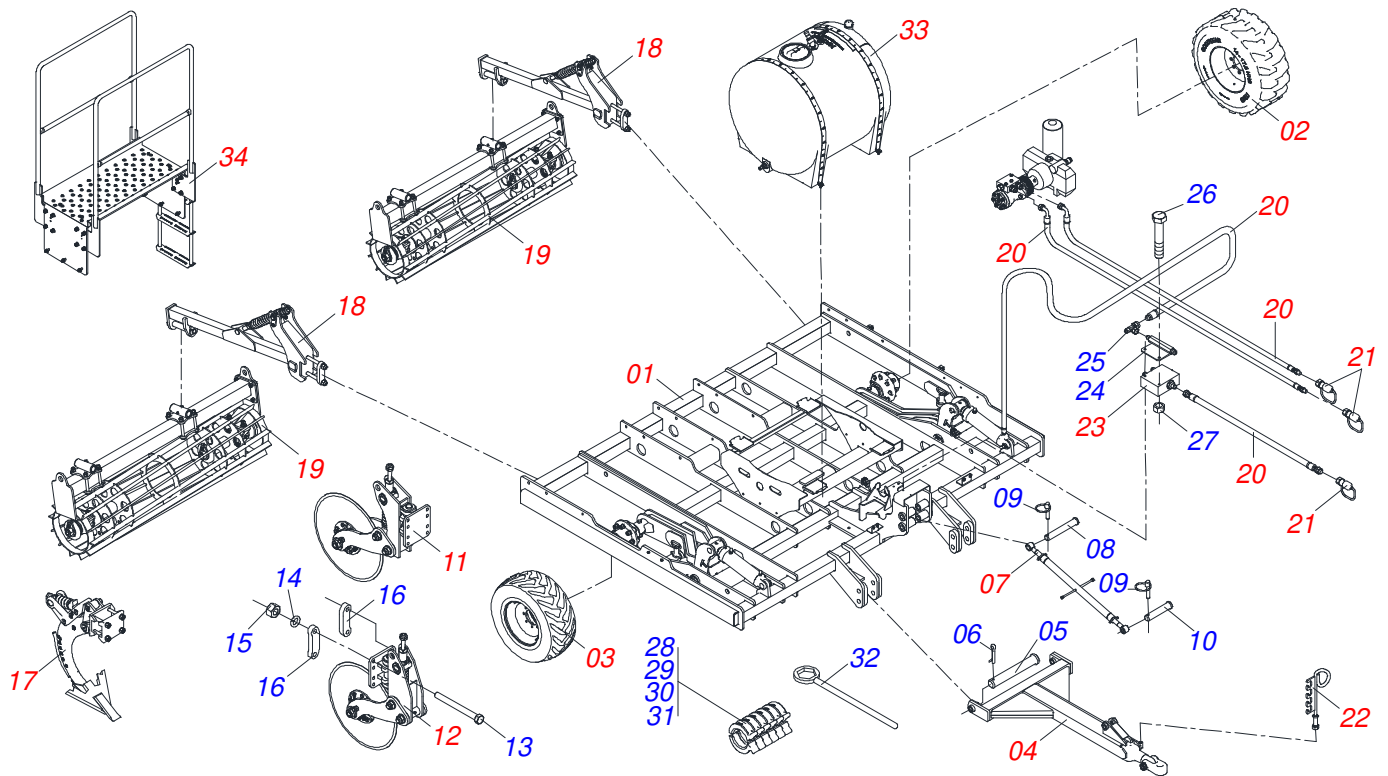
INDEX

0521047427	FRAME ASSEMBLY WITH FINE SEED BOX (07 RODS)	1
0521047432	FRAME ASSEMBLY (07 RODS)	2
0521046157	FRAME ASSEMBLY (05 RODS)	3
0521051189	SEMI MOUNTED FRAME (07 RODS)	4
0511059869	SEMI MOUNTED FRAME (05 RODS)	5
0521046321	HYDRAULIC CYLINDER	6
0511059685	LEFT WHEEL ASSEMBLY	7
0511059787	RIGHT WHEEL ASSEMBLY	8
0511059615	ASSY HUB	9
0511059186	DRAWBAR ASSEMBLY	10
0521051185	HYDRAULIC SPRAY KIT (07 RODS)	11
0511059870	HYDRAULIC SPRAY KIT (05 RODS)	12
0521051177	HERBICIDE TANK ASSEMBLY	13
0511058936	RESERVOIR ASSEMBLY	14
0521046320	7-WAY HERBICIDE DISTRIBUTOR ASSEMBLY	15
0511059272	5-WAY HERBICIDE DISTRIBUTOR ASSEMBLY	16
0511059200	HOSE KIT (07 RODS)	17
0511059300	HOSE KIT (05 RODS)	18
0501054088	DRAWBAR STABILIZER ASSEMBLY	19
0521044567	24" REAR DISC BLADE	20
0521044568	24" FRONT DISC BLADE	21
0501057526	DISC HUB	22
0511048955	ROD SYSTEM ASSEMBLY WITH CONDUCTOR	23
0511059188	CAGE ROLLER ARM ASSEMBLY	24
0521045128	CAGE ROLLER ASSEMBLY	25
0501053834	MALE QUICK COUPLER	26
0501040364	HOSE SUPPORT ASSEMBLY	27
0511057381	FLOW DIVIDING VALVE	28
0521051176	FINE SEED BOX ASSEMBLY	29
0511056927	LEFT FINE SEED BOX	30
0511056925	RIGHT FINE SEED BOX	31
0521051192	SIDE LADDER ASSEMBLY	32
0511059788	PLATFORM ASSEMBLY (07 RODS)	33
0511059868	PLATFORM ASSEMBLY (05 RODS)	34



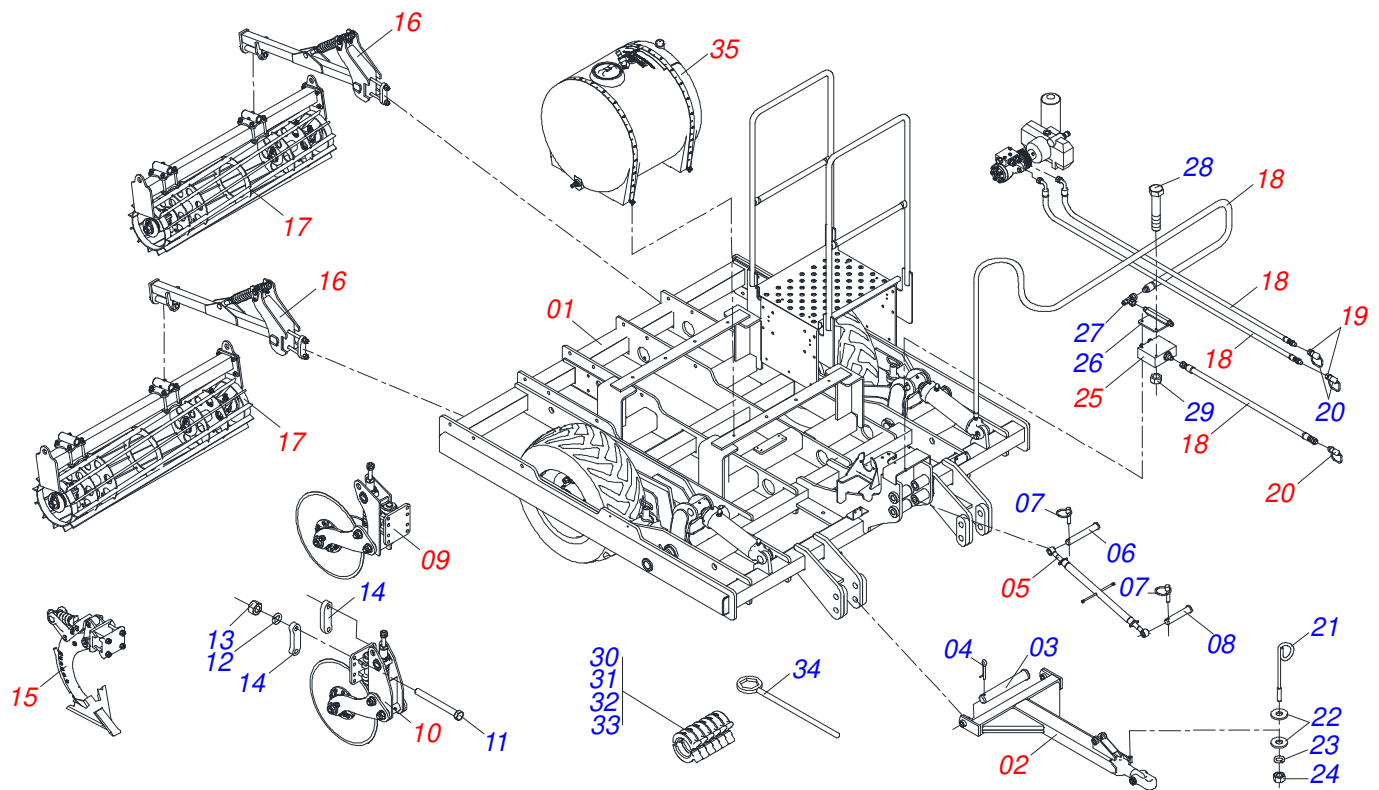
Item	Code	Description	See page	QT
001	0521051189	SEMI MOUNTED FRAME (07 RODS)	4	01
002	0511058278	14 X 17.5/14L TR SK900 RIGHT - WHEEL AND TIRE		01
003	0503060684	14 X 17.5/14L TR SK900 LEFT - WHEEL AND TIRE		01
004	0511059186	DRAWBAR ASSEMBLY	10	01
005	0531016023	EIXO INF ENGATE AST/MATIC E 550		02
006	0503010523	1/4" X 2" SPLIT PIN		02
007	0501054088	DRAWBAR STABILIZER ASSEMBLY	19	01
008	0531017716	AXLE TIGHTENER		01
009	0503030085	LOCK PIN		02
010	0581011537	AXLE TIGHTENER		01
011	0521044567	24" REAR DISC BLADE	20	02
012	0521044568	24" FRONT DISC BLADE	21	05
013	0503014744	3/4 UNF X 7.1/2 C S G.7 ZN BOLT		28
014	0503010023	3/4" SPRING WASHER		28
015	0503010335	3/4 NUT		28
016	0571011609	DISC BLADE FIXER PLATE		14
017	0511048955	ROD SYSTEM ASSEMBLY WITH CONDUCTOR	23	07
018	0511059188	CAGE ROLLER ARM ASSEMBLY	24	04
019	0521045128	CAGE ROLLER ASSEMBLY	25	02
020	0511059200	HOSE KIT (07 RODS)	17	01
021	0501053834	MALE QUICK COUPLER	26	04
022	0501040364	HOSE SUPPORT ASSEMBLY	27	01
023	0511057381	FLOW DIVIDING VALVE	28	01
024	0521066121	OIL TUBE		01
025	0503037376	3/4" T ADAPTER WITH SWIVEL NUT		01
026	0503011053	5/16" X 3" C S 6.5 ZN BOLT		02
027	0503010337	5/16" NUT		02
028	0501047895	25 ROD STOP		06
029	0501047885	30 ROD STOP		02
030	0501047886	35 ROD STOP		02
031	0501047887	40 ROD STOP		02

Item	Code	Description	See page	QT
032	0511062077	WRENCH		01
033	0521051185	HYDRAULIC SPRAY KIT (07 RODS)	11	01
034	0521051176	FINE SEED BOX ASSEMBLY	29	01



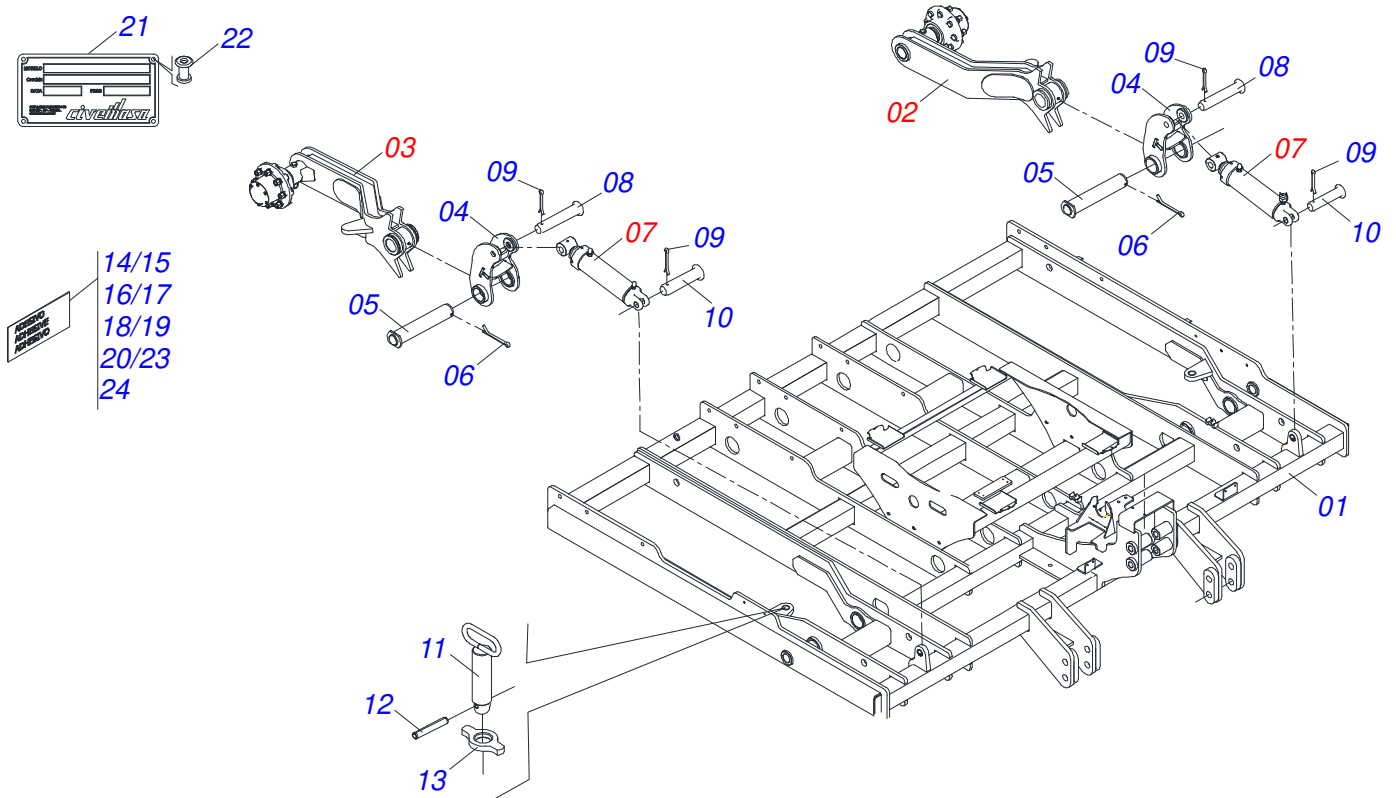
Item	Code	Description	See page	QT
001	0521051189	SEMI MOUNTED FRAME (07 RODS)	4	01
002	0511058278	14 X 17.5/14L TR SK900 RIGHT - WHEEL AND TIRE		01
003	0503060684	14 X 17.5/14L TR SK900 LEFT - WHEEL AND TIRE		01
004	0511059186	DRAWBAR ASSEMBLY	10	01
005	0531016023	EIXO INF ENGATE AST/MATIC E 550		02
006	0503010523	1/4" X 2" SPLIT PIN		02
007	0501054088	DRAWBAR STABILIZER ASSEMBLY	19	01
008	0531017716	AXLE TIGHTENER		01
009	0503030085	LOCK PIN		02
010	0581011537	AXLE TIGHTENER		01
011	0521044567	24" REAR DISC BLADE	20	02
012	0521044568	24" FRONT DISC BLADE	21	05
013	0503014744	3/4 UNF X 7.1/2 C S G.7 ZN BOLT		28
014	0503010023	3/4" SPRING WASHER		28
015	0503010335	3/4 NUT		28
016	0571011609	DISC BLADE FIXER PLATE		14
017	0511048955	ROD SYSTEM ASSEMBLY WITH CONDUCTOR	23	07
018	0511059188	CAGE ROLLER ARM ASSEMBLY	24	04
019	0521045128	CAGE ROLLER ASSEMBLY	25	02
020	0511059200	HOSE KIT (07 RODS)	17	01
021	0501053834	MALE QUICK COUPLER	26	04
022	0501040364	HOSE SUPPORT ASSEMBLY	27	01
023	0511057381	FLOW DIVIDING VALVE	28	01
024	0521066121	OIL TUBE		01
025	0503037376	3/4" T ADAPTER WITH SWIVEL NUT		01
026	0503011053	5/16" X 3" C S 6.5 ZN BOLT		02
027	0503010337	5/16" NUT		02
028	0501047895	25 ROD STOP		06
029	0501047885	30 ROD STOP		02
030	0501047886	35 ROD STOP		02
031	0501047887	40 ROD STOP		02

Item	Code	Description	See page	QT
032	0511062077	WRENCH		01
033	0521051185	HYDRAULIC SPRAY KIT (07 RODS)	11	01
034	0511059788	PLATFORM ASSEMBLY (07 RODS)	33	01

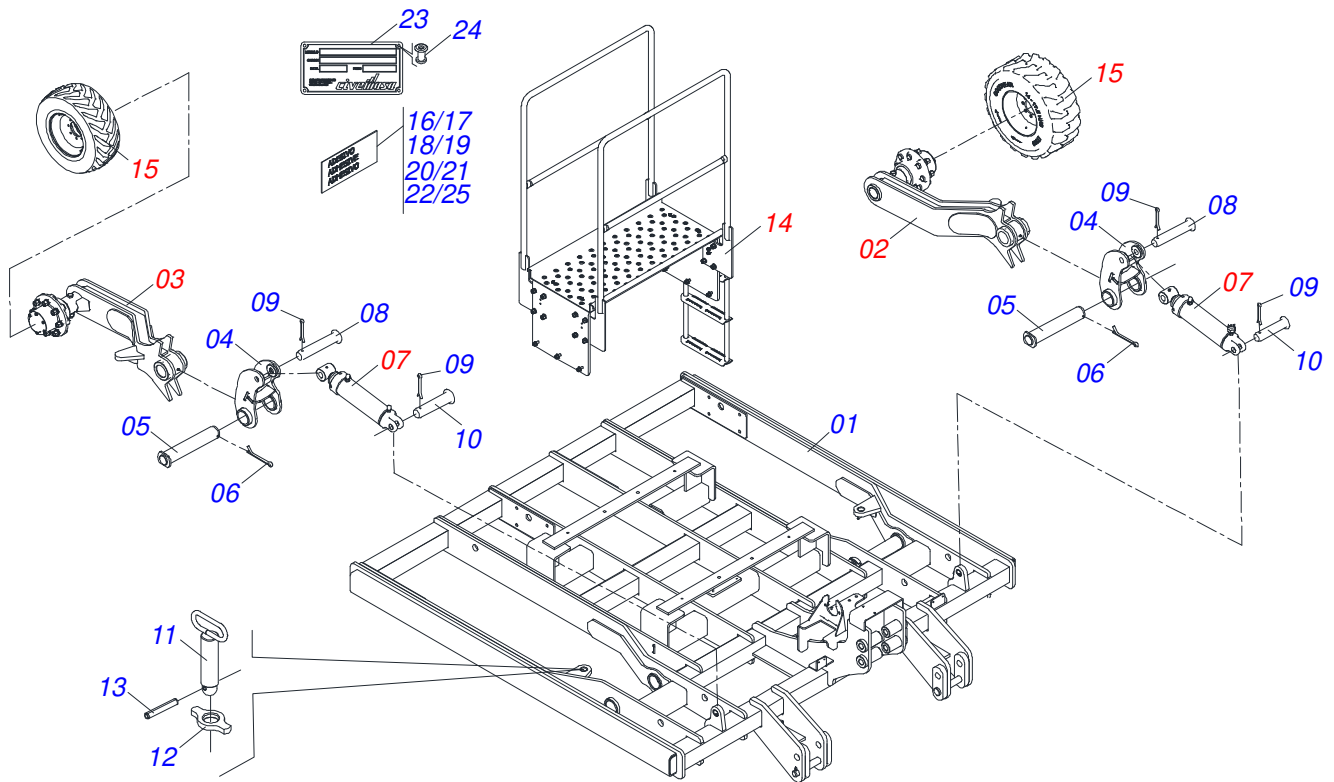


Item	Code	Description	See page	QT
001	0511059869	SEMI MOUNTED FRAME (05 RODS)	5	01
002	0511059186	DRAWBAR ASSEMBLY	10	01
003	0531016023	EIXO INF ENGATE AST/MATIC E 550		02
004	0503010523	1/4" X 2" SPLIT PIN		02
005	0501054088	DRAWBAR STABILIZER ASSEMBLY	19	01
006	0531017716	AXLE TIGHTENER		01
007	0503030085	LOCK PIN		02
008	0581011537	AXLE TIGHTENER		01
009	0521044567	24" REAR DISC BLADE	20	02
010	0521044568	24" FRONT DISC BLADE	21	03
011	0503014744	3/4 UNF X 7.1/2 C S G.7 ZN BOLT		20
012	0503010023	3/4" SPRING WASHER		20
013	0503010335	3/4 NUT		20
014	0571011609	DISC BLADE FIXER PLATE		10
015	0511048955	ROD SYSTEM ASSEMBLY WITH CONDUCTOR	23	05
016	0511059188	CAGE ROLLER ARM ASSEMBLY	24	04
017	0521045127	BREAK ROLLER		02
018	0511059300	HOSE KIT (05 RODS)	18	01
019	0503011627	MALE QUICK COUPLER AGR 1/2 NPT		02
020	0503011882	MALE QUICK COUPLER CAP		02
021	0501013658	HOSE HOLDER		02
022	0501017066	FLAT WASHER		04
023	0503010023	3/4" SPRING WASHER		04
024	0503010014	3/4" HEX NUT		04
025	0511057381	FLOW DIVIDING VALVE	28	01
026	0521066121	OIL TUBE		01
027	0503037376	3/4" T ADAPTER WITH SWIVEL NUT		01
028	0503011053	5/16" X 3" C S 6.5 ZN BOLT		02
029	0503010337	5/16" NUT		02
030	0501047895	25 ROD STOP		06
031	0501047885	30 ROD STOP		02

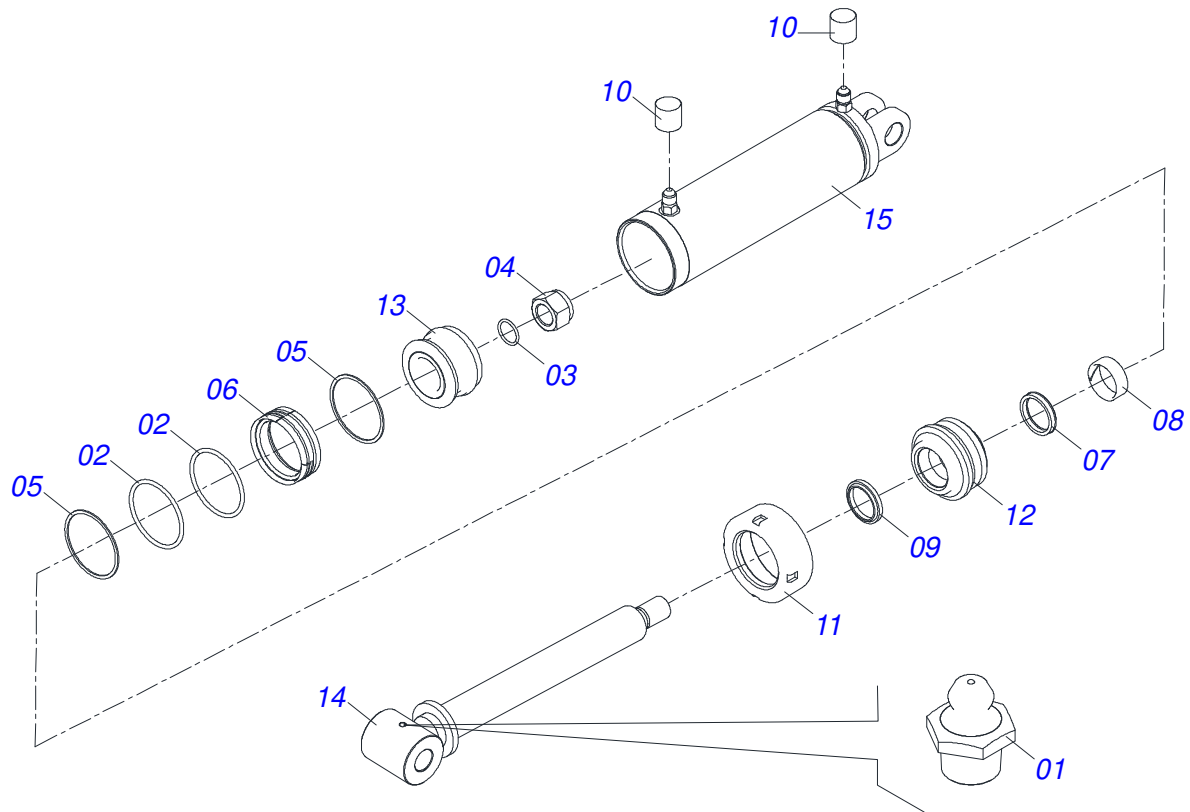
Item	Code	Description	See page	QT
032	0501047886	35 ROD STOP		02
033	0501047887	40 ROD STOP		02
034	0511062077	WRENCH		01
035	0511059870	HYDRAULIC SPRAY KIT (05 RODS)	12	01



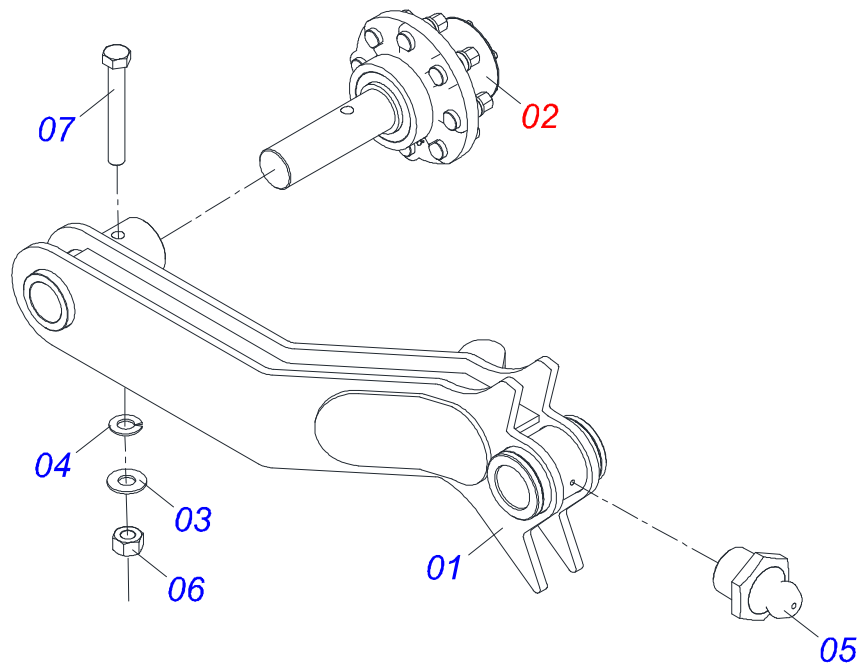
Item	Code	Description	See page	QT
001	0521066894	FRAME ASSY		01
002	0511059787	RIGHT WHEEL ASSEMBLY	8	01
003	0511059685	LEFT WHEEL ASSEMBLY	7	01
004	0521066896	CARRYING-WHEELS PIVOT		02
005	0521066899	AXLE		02
006	0503010074	3/8 X 0,15" COTTERPIN		02
007	0521046321	HYDRAULIC CYLINDER	6	02
008	0521010547	1.2" X 6.5" COUPLING SHAFT		02
009	0503010523	1/4" X 2" SPLIT PIN		04
010	0521012538	1.2" X 3.5" COUPLING SHAFT		02
011	0521064086	ADJUSTMENT WHEEL		02
012	0503010839	03"X 0.6" SPRING PIN		02
013	0541018672	COUNTERNUT		02
014	0503031739	ADHESIVE LABEL		01
015	0503031827	LUBRICATE AND RETIGHTEN DAILY DECAL		02
016	0503031428	READ MANUAL DECAL		01
017	0503033301	STAC P EMBLEM		02
018	0503033246	ADHESIVE LABEL		02
019	0503032875	BADGE DANGER		01
020	0503033647	APPROVED BADGE		01
021	0503034004	ALUMINUM IDENTIFICATION LABEL		01
022	0503010001	3.2 X 5.5 RIVET		04
023	0503034078	LIFTING POINTS DECAL		04
024	0503032875	BADGE DANGER		01



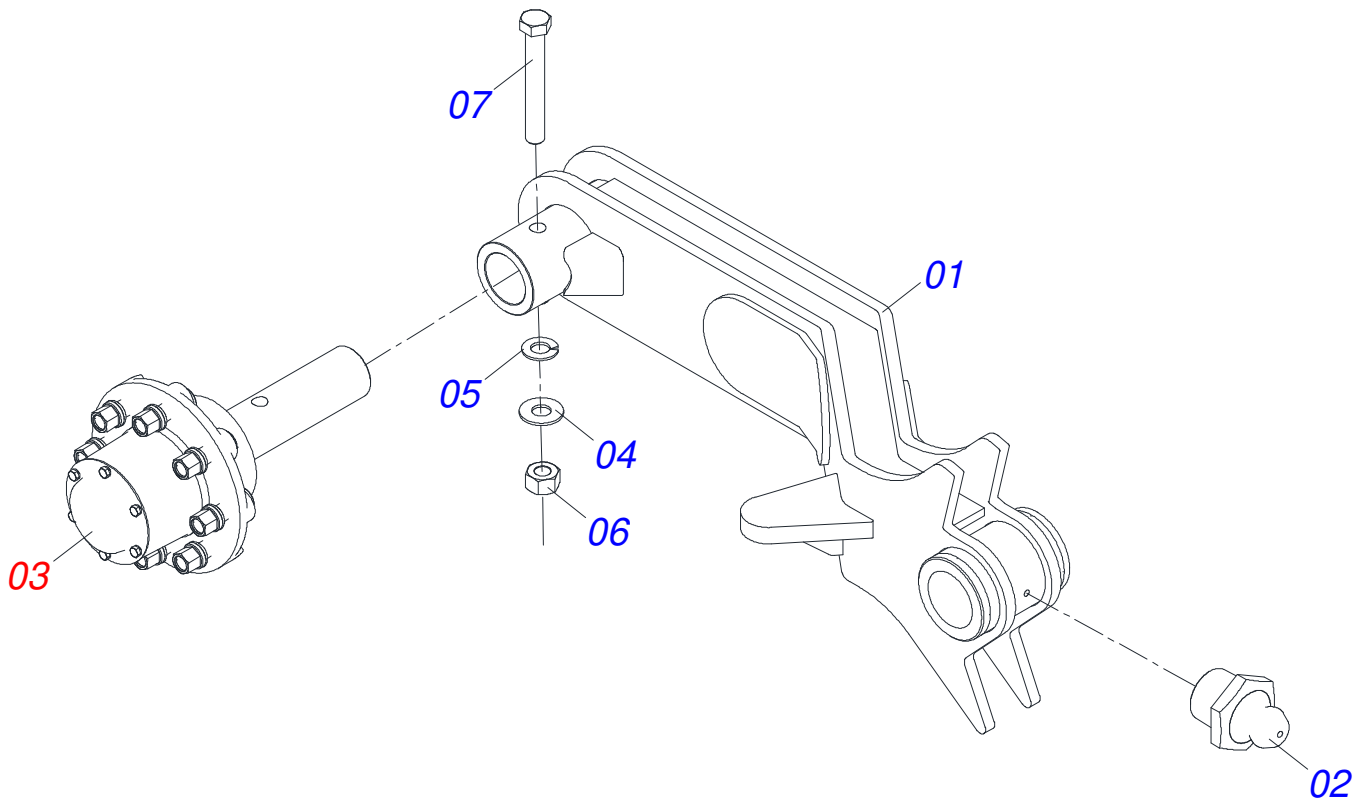
Item	Code	Description	See page	QT
001	0521067021	FRAME		01
002	0511059787	RIGHT WHEEL ASSEMBLY	8	01
003	0511059685	LEFT WHEEL ASSEMBLY	7	01
004	0521066896	CARRYING-WHEELS PIVOT		02
005	0521066899	AXLE		02
006	0503010074	3/8 X 0,15" COTTERPIN		02
007	0521046321	HYDRAULIC CYLINDER	6	02
008	0521010547	1.2" X 6.5" COUPLING SHAFT		02
009	0503010523	1/4" X 2" SPLIT PIN		04
010	0521012538	1.2" X 3.5" COUPLING SHAFT		02
011	0521064086	ADJUSTMENT WHEEL		02
012	0541018672	COUNTERNUT		02
013	0503010839	03"X 0.6" SPRING PIN		02
014	0511059868	PLATFORM ASSEMBLY (05 RODS)	34	01
015	0503061624	WHEEL AND TIRE ASSY 13.0/55-16/12LO		02
016	0503031739	ADHESIVE LABEL		01
017	0503031827	LUBRICATE AND RETIGHTEN DAILY DECAL		02
018	0503031428	READ MANUAL DECAL		01
019	0503033301	STAC P EMBLEM		02
020	0503033246	ADHESIVE LABEL		02
021	0503032875	BADGE DANGER		01
022	0503033647	APPROVED BADGE		01
023	0503034004	ALUMINUM IDENTIFICATION LABEL		01
024	0503010001	3.2 X 5.5 RIVET		04
025	0503034078	LIFTING POINTS DECAL		04



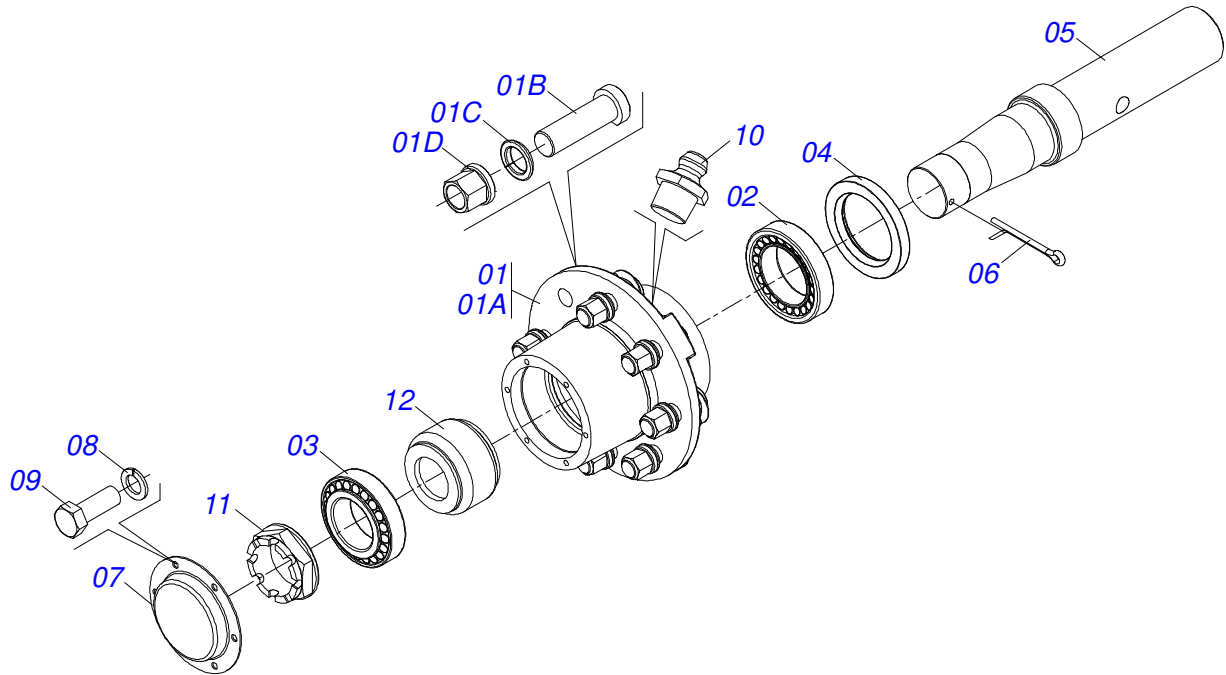
Item	Code	Description	See page	QT
01	0503010002	1800 GREASE FITTING	01	01
02	0503010338	2-342 N 3006-9B O'RING	02	02
03	0503010345	2-218 N 3006-9B O'RING	01	01
04	0503010817	1.1/4" SELF LOCKING NUT	01	01
05	0503011061	8-342 BACK-UP RING	02	02
06	0503015633	SELEMASTER SEALING	01	01
07	0503015636	SCRAPER SEAL	01	01
08	0503018025	RING GUIDE	01	01
09	0503018026	1870-2000-375 B GASKET	01	01
10	0503030385	CYLINDER PLUG N-002	02	02
11	0502012822	101.60 END CAP	01	01
12	0581010678	50,80 X 101 RING SUPPORT	01	01
13	0502012842	50,80 X 101,60 PISTON	01	01
14	0521066898	EXTENDER 50.80 X 492.50	01	01
15	0511070921	4" X 16" CYLINDER CASE	01	01



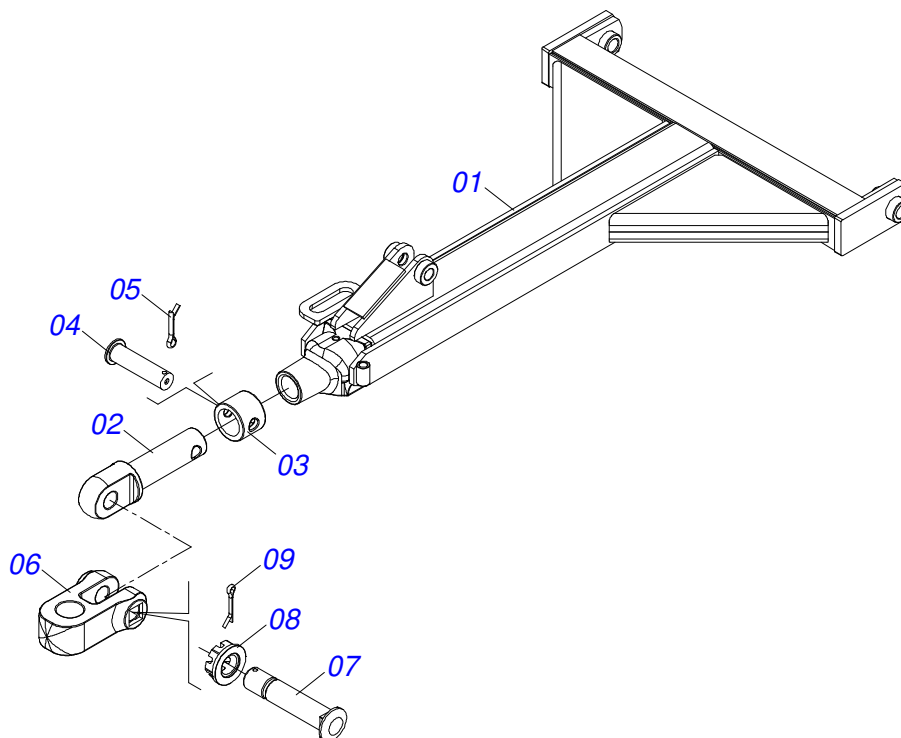
Item	Code	Description	See page	QT
01	0521066897	LEFT CARRYING-WHEELS		01
02	0511059615	ASSY HUB	9	01
03	0501017065	FLAT WASHER		01
04	0503010023	3/4" SPRING WASHER		01
05	0503010002	1800 GREASE FITTING		01
06	0503010014	3/4" HEX NUT		01
07	0503013185	3/4" X 5-1/2" BOLT		01



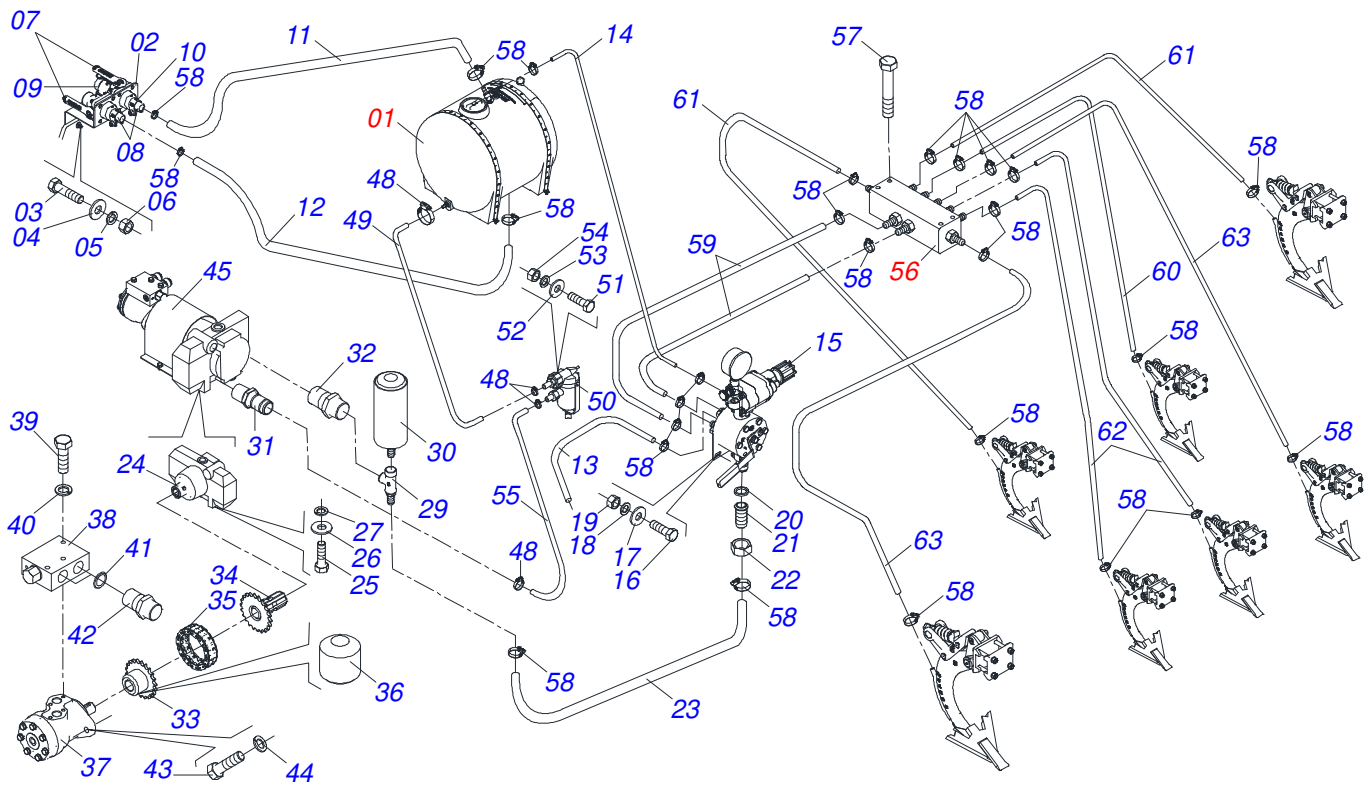
Item	Code	Description	See page	QT
01	0521066900	RIGHT CARRYING-WHEELS		01
02	0503010002	1800 GREASE FITTING		01
03	0511059615	ASSY HUB	9	01
04	0501017065	FLAT WASHER		01
05	0503010023	3/4" SPRING WASHER		01
06	0503010014	3/4" HEX NUT		01
07	0503013185	3/4" X 5-1/2" BOLT		01



Item	Code	Description	See page	QT
01	0501110751	HUB AND SPINDLE WITH BOLT		01
01A	0502040522	HUB CARRYING-WHEELS		01
01B	0503011339	M22 X 1,5 X 72 BOLT		08
01C	0503011340	SPHERICAL SPRING WASHER		08
01D	0503011341	M22 X 0.6" NUT GR8		08
02	0503010059	33287/33462 ROLLER BEARING		01
03	0503010007	3982/3920 ROLLER BEARING		01
04	0503010050	SEAL 00085-B		01
05	0581012926	AXLE ASSY		01
06	0503011345	1/4" X 3-1/2" COTTERPIN		01
07	0541013225	WHEEL HUB LID		01
08	0503011444	SPRING WASHER		06
09	0503010240	BOLT		06
10	0503010002	1800 GREASE FITTING		01
11	0502040080	FLANGE NUT R.2.1/2 UN		01
12	1882970002	GREASE SOAP		2,237Kg

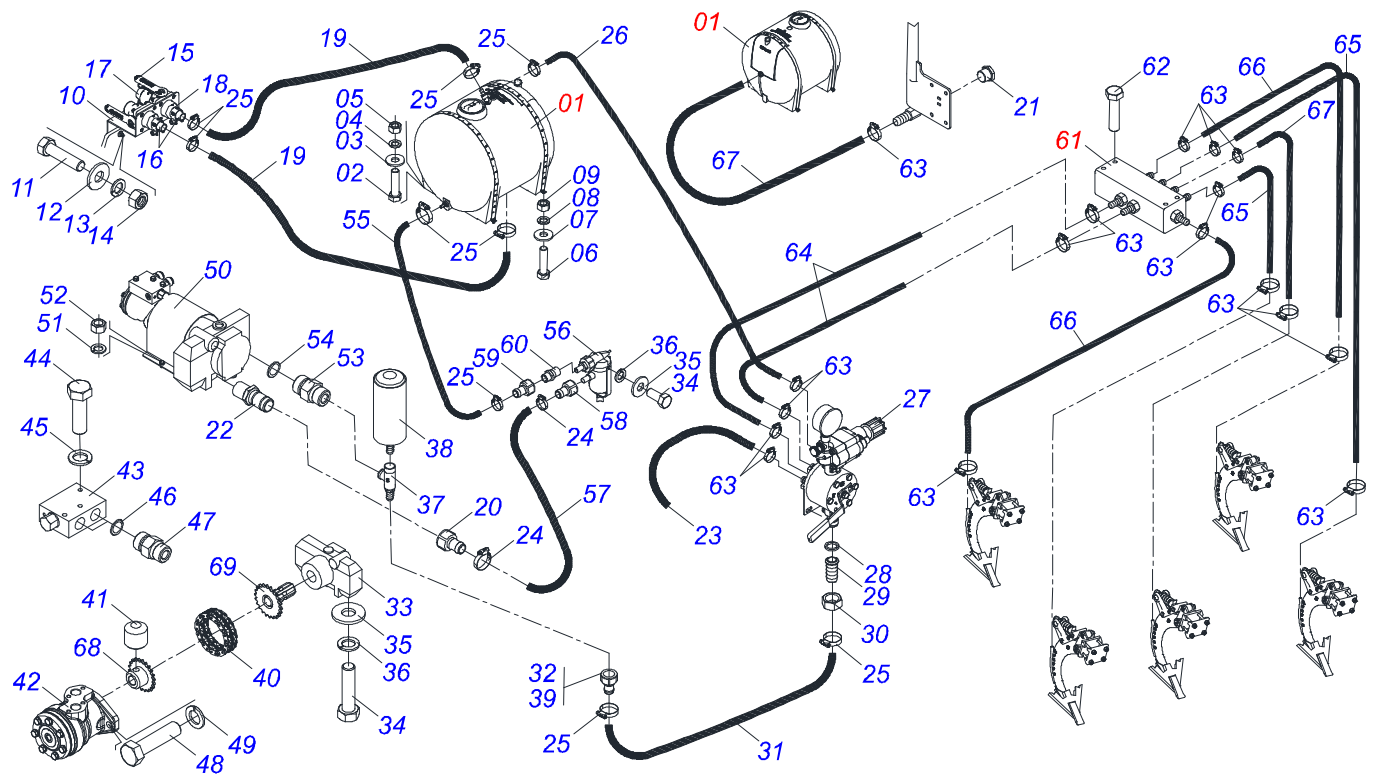


Item	Code	Description	See page	QT
01	0511063767	DRAWBAR		01
02	0502040223	DRAWBOLT		01
03	1902040327	LOCK SLEEVE		01
04	0511014902	COUPLING SHAFT		01
05	0503010571	1/4" X 1.1/2 COTTERPIN		01
06	1902040733	U COUPLING HOOK		01
07	0521012545	COUPLING SHAFT		01
08	0501011301	1.1/2 UNC 6FPP 2.5/16 NUT		01
09	0503010010	1/4" X 2.1/2" COTTERPIN		01



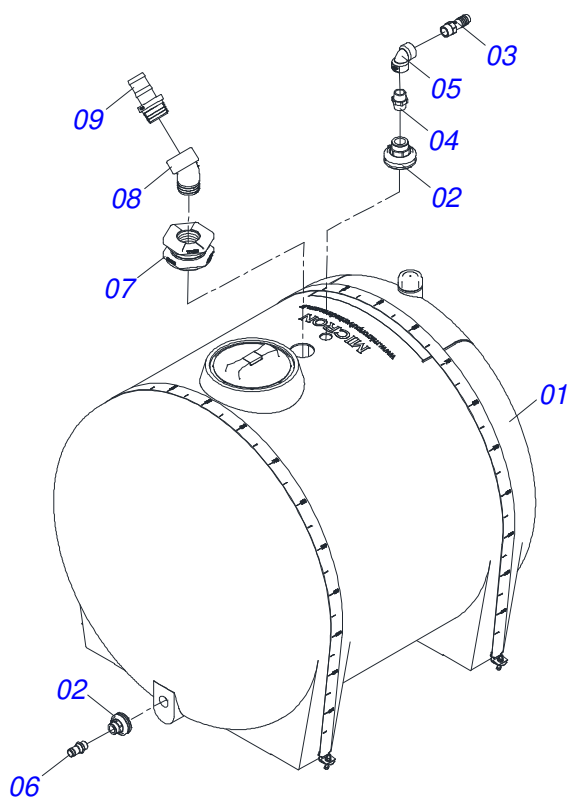
Item	Code	Description	See page	QT
001	0521051177	HERBICIDE TANK ASSEMBLY	13	01
002	0581012807	SUPPORT FAST		01
003	0501011532	3/8" X 1-3/4" BOLT		02
004	0501010984	10,50 X 27 X 3,00 FLAT WASHER		02
005	0503010025	3/8 SPRING WASHER		02
006	0503010026	3/8" NUT		02
007	0503014972	VALVE		02
008	0503014975	POINT		02
009	0503016180	COUPLING FEMALE		01
010	0503014284	CLAMP		04
011	0501082082	1.1/2" X 3150" BLUE HOSE		01
012	0501082125	1.1/2" X 1550 BLUE HOSE		01
013	0551016275	1/2" X 1800 AB-AB HOSE CLAMP		01
014	0581012944	HOSE 3/4		01
015	0503013908	COMMAND JACTO		01
016	0503016506	5/16 UNC X 3/4 C S G.5 ZN BOLT		02
017	0501013518	FLAT WASHER		02
018	0503010179	LOCK WASHER 5/16 ZN 1K01528		02
019	0503010337	5/16" NUT		02
020	0503013976	GASKET		01
021	0571010261	HOSE COUPLING		01
022	0503013974	NUT		01
023	0551014211	HOSE		01
024	0503013907	PUMP		01
025	0503010365	BOLT 5/16 UNC X 1.1/4 C S G.5 ZN		04
026	0501010984	10,50 X 27 X 3,00 FLAT WASHER		04
027	0503010179	LOCK WASHER 5/16 ZN 1K01528		04
028	0501082128	HOSE 1/2		02
029	0503017453	TE		01
030	0503014740	CAMPING COMPENSATOR JACTO		01
031	0503014257	POINT		01

Item	Code	Description	See page	QT
032	0503016823	NIPLE		01
033	0521060386	COUPLING MOTOR		01
034	0521067378	COUPLING		01
035	0503015425	CHAIN		01
036	0503011136	BOLT 1/2 UNC X 1/2 S C S I 12.9		01
037	0503015422	MOTOR		01
038	0503062674	BLOCK		01
039	0503015149	M8 X 1,25 X 50 BOLT		03
040	0503014371	M8 SPRING WASHER		03
041	0503010045	O'RING		02
042	0551011253	R1.1/16 JICX7/8 SAE S1.1/8X50 NIPPLE		02
043	0503010920	1/2 UNC X 1.1/2 C S G.5 ZN BOLT		02
044	0503010019	1/2" SPRING WASHER		02
045	0551018434	PROTECTION		01
046	0501082126	1/2" X 2950 TR-TR HOSE		02
047	0501082127	1/2" X 3600 TR-TR HOSE		02
048	0503010184	CLAMP		04
049	0571013303	1 X 1700 AB-AB FLEX HOSE SPIRAL		01
050	0503013906	FILTER		01
051	0503013849	1/4" UNC X 3/4" BOLT		02
052	0501010694	FLAT WASHER		02
053	0503010143	1/4" SPRING WASHER		02
054	0503010144	1/4" NUT		02
055	0581012946	1" FLEX HOSE SPIRAL		01
056	0521046320	7-WAY HERBICIDE DISTRIBUTOR ASSEMBLY	15	01
057	0503018506	5/16 UNC UNC BOLT		04
058	0503014255	14 X 22 CLAMP		14
059	0571013296	HOSE		02
060	0581012945	HOSE		01
061	0501082126	1/2" X 2950 TR-TR HOSE		02
062	0501082127	1/2" X 3600 TR-TR HOSE		02
063	0501082128	HOSE 1/2		02

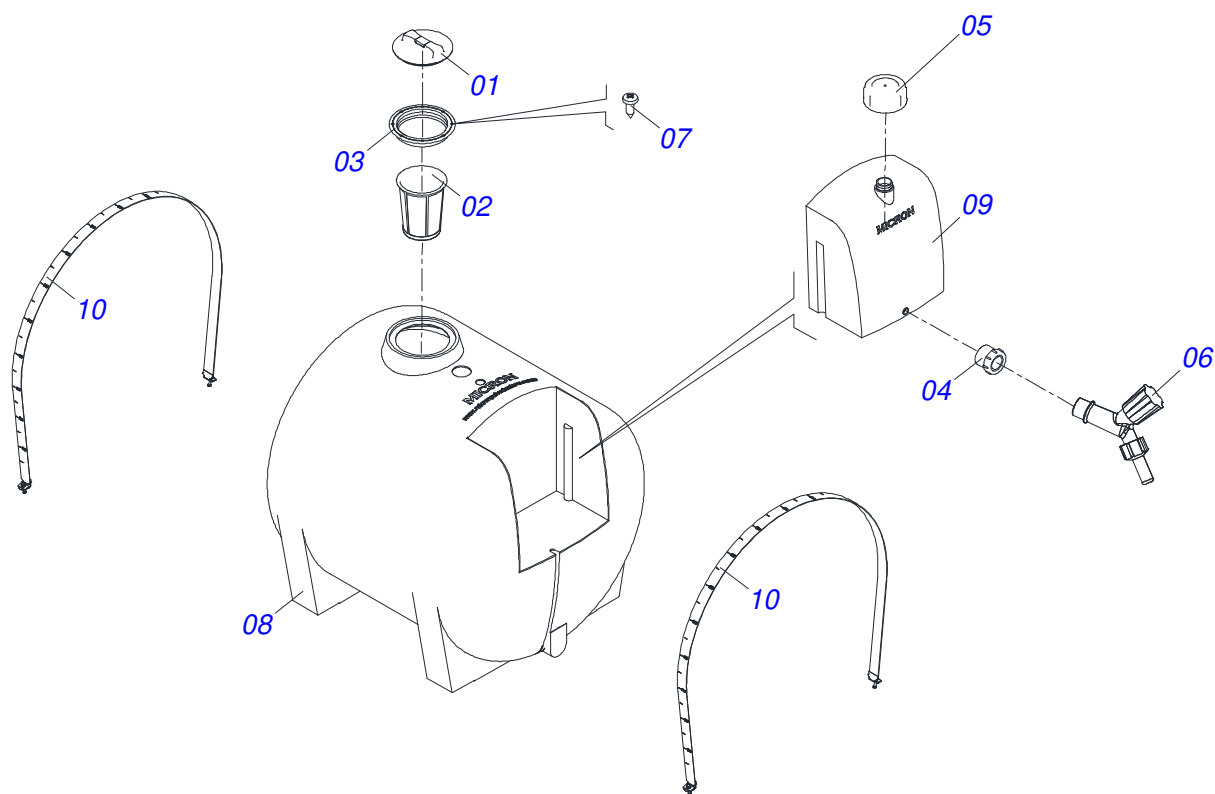


Item	Code	Description	See page	QT
01	0511058936	RESERVOIR ASSEMBLY	14	01
02	0501010422	BOLT 5/8 UNC X 6.1/2 CS G.5 ZN		04
03	0501012140	FLAT WASHER		04
04	0503010027	5/8 SPRING WASHER		04
05	0503010013	5/8 NUT		04
06	0503010920	1/2 UNC X 1.1/2 C S G.5 ZN BOLT		04
07	0501013519	FLAT WASHER		04
08	0503010019	1/2" SPRING WASHER		04
09	0503010060	1/2 UNC G.5 ZN HEX NUT		04
10	0581012807	SUPPORT FAST		01
11	0501011532	3/8" X 1-3/4" BOLT		02
12	0501010984	10,50 X 27 X 3,00 FLAT WASHER		02
13	0503010025	3/8 SPRING WASHER		02
14	0503010026	3/8" NUT		02
15	0503014972	VALVE		02
16	0503014975	POINT		02
17	0503016180	COUPLING FEMALE		01
18	0503014284	CLAMP		04
19	0581012947	1.1/2 X1350 HOSE AB-AB		02
20	0503013972	CONNECTION		01
21	0571012216	ADAPTER		01
22	0503013968	3/4 X 1 1G21769 NIPPLE		01
23	0571013297	HOSE 1/2 X 1500 AB-AB		02
24	0503010296	CLAMP		02
25	0503013973	22 X 32 CLAMP		08
26	0581012944	HOSE 3/4		01
27	0503013908	COMMAND JACTO		01
28	0503013976	GASKET		01
29	0571010261	HOSE COUPLING		01
30	0503013974	NUT		01
31	0551014211	HOSE		01

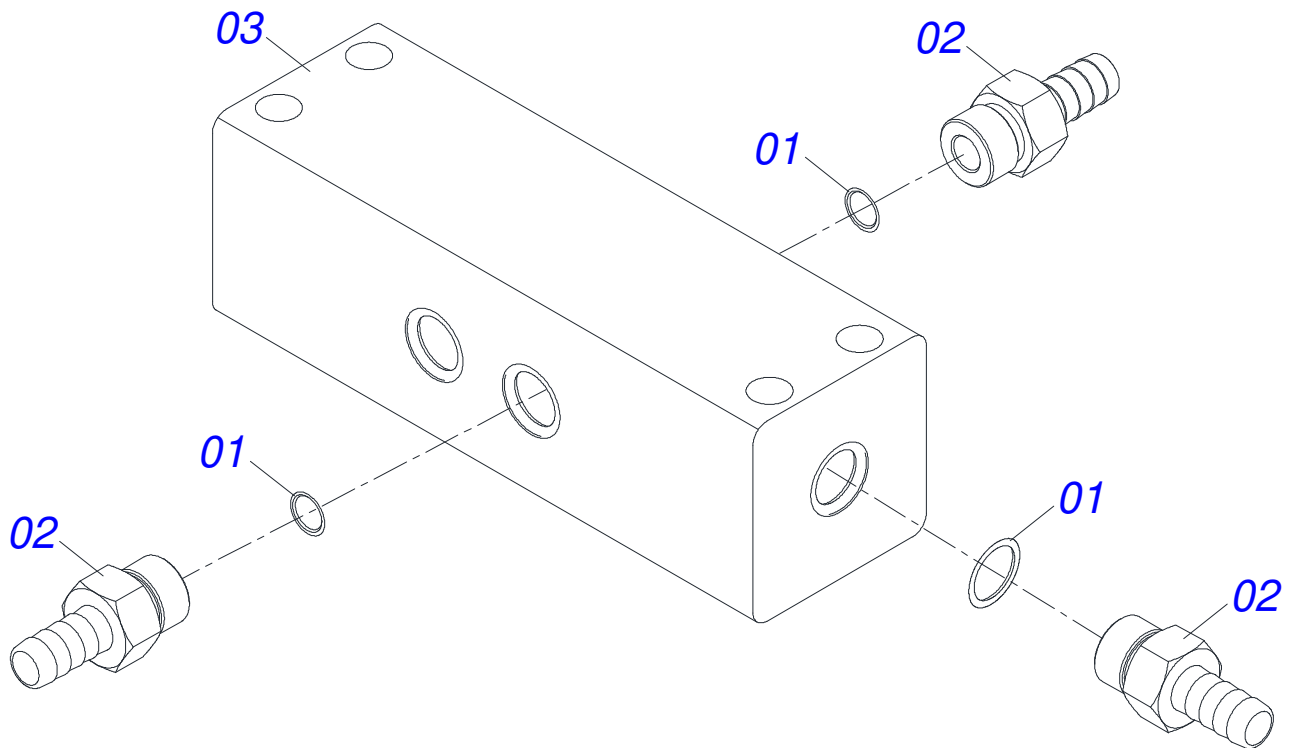
Item	Code	Description	See page	QT
32	0503014257	POINT		01
33	0503013907	PUMP		01
34	0503010365	BOLT 5/16 UNC X 1.1/4 C S G.5 ZN		04
35	0501010984	10,50 X 27 X 3,00 FLAT WASHER		04
36	0503010179	LOCK WASHER 5/16 ZN 1K01528		04
37	0503017453	TE		01
38	0503014740	CAMPING COMPENSATOR JACTO		01
39	0503014257	POINT		01
40	0503015425	CHAIN		01
41	0503011136	BOLT 1/2 UNC X 1/2 S C S I 12.9		01
42	0503015422	MOTOR		01
43	0503062674	BLOCK		01
44	0503015149	M8 X 1,25 X 50 BOLT		03
45	0503014371	M8 SPRING WASHER		03
46	0503010045	O'RING		02
47	0551011253	R1.1/16 JICX7/8 SAE S1.1/8X50 NIPPLE		02
48	0503010920	1/2 UNC X 1.1/2 C S G.5 ZN BOLT		02
49	0503010019	1/2" SPRING WASHER		02
50	0551018434	PROTECTION		01
51	0503010143	1/4" SPRING WASHER		02
52	0503010144	1/4" NUT		02
53	0503011275	1/2" X 3/4" NIPPLE		02
54	0503012905	2113 O'RING		02
55	0571013303	1 X 1700 AB-AB FLEX HOSE SPIRAL		01
56	0503013906	FILTER		01
57	0581012946	1" FLEX HOSE SPIRAL		01
58	0503013972	CONNECTION		01
59	0571012216	ADAPTER		01
60	0503013968	3/4 X 1 1G21769 NIPPLE		01
61	0511059272	5-WAY HERBICIDE DISTRIBUTOR ASSEMBLY	16	01
62	0503018506	5/16 UNC UNC BOLT		04
63	0503014255	14 X 22 CLAMP		14
64	0571013297	HOSE 1/2 X 1500 AB-AB		02
65	0571013301	1/2" X 2500 AB-AB HOSE		02
66	0571013298	1/2" X 1600 AB-AB HOSE		02
67	0571013300	1/2" X 94" AB-AB SANSUY ORANGE HOSE		02
68	0521060386	COUPLING MOTOR		01
69	0521067378	COUPLING		01



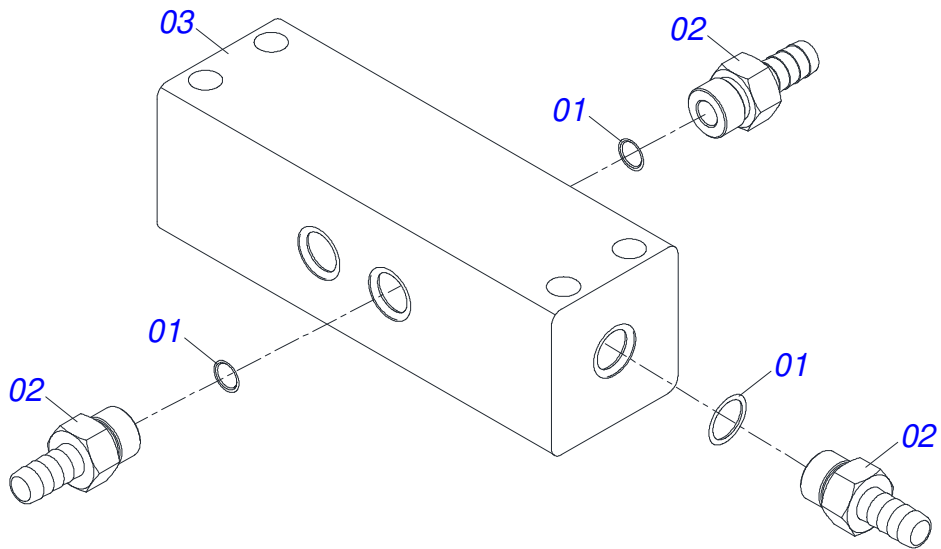
Item	Code	Description	See page	QT
001	0511058936	RESERVOIR ASSEMBLY	14	01
002	0503013967	3/4" PVC ADAPTER		02
003	0503014261	POINT		01
004	0503013970	NIPLE		01
005	0503013969	3/4 ELBOW THREAD		01
006	0503013975	HOSE COUPLING		01
007	0503016179	CONNECTION		02
008	0503015352	KNEE		02
009	0503016613	POINT		02



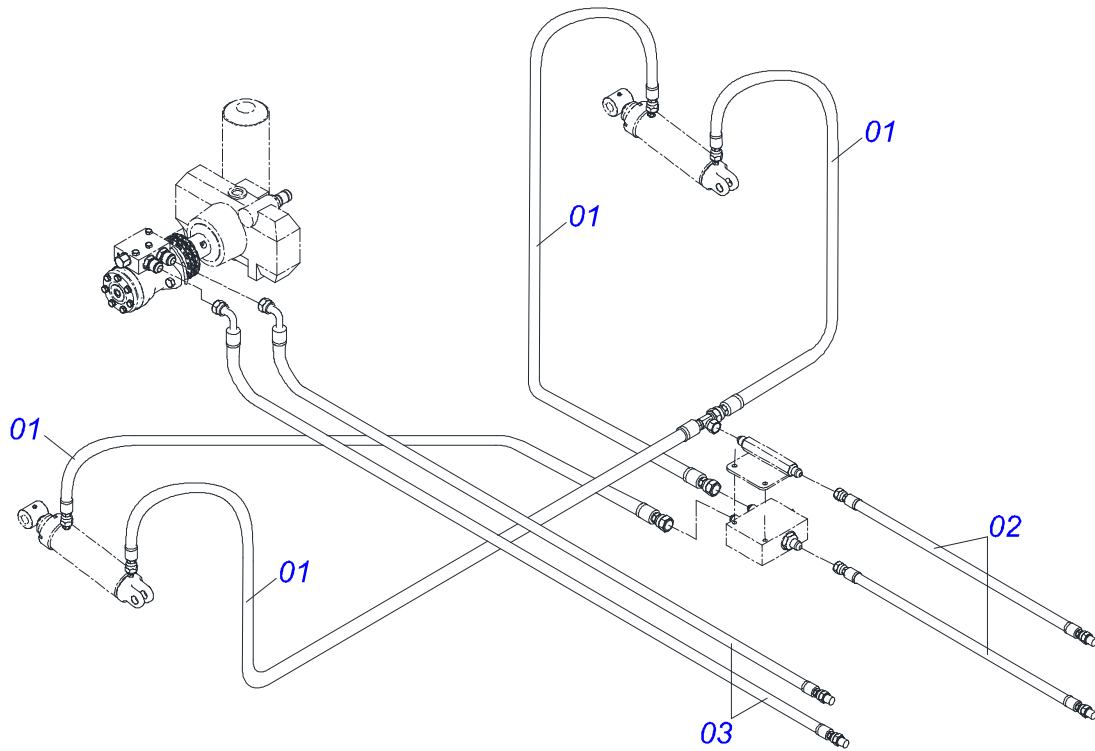
Item	Code	Description	See page	QT
01	0503017949	COVER TUBE		01
02	0503017974	SCREEN NOZZLE TANK		01
03	0503017997	WHEEL		01
04	0503018032	ADAPTER		01
05	0503018517	COVER TANK		01
06	0503018694	WATER TAP		01
07	0503018828	BOLT		08
08	0581014554	TANK		01
09	0581014553	TANK		01
10	0503018512	ASSEMBLY		02



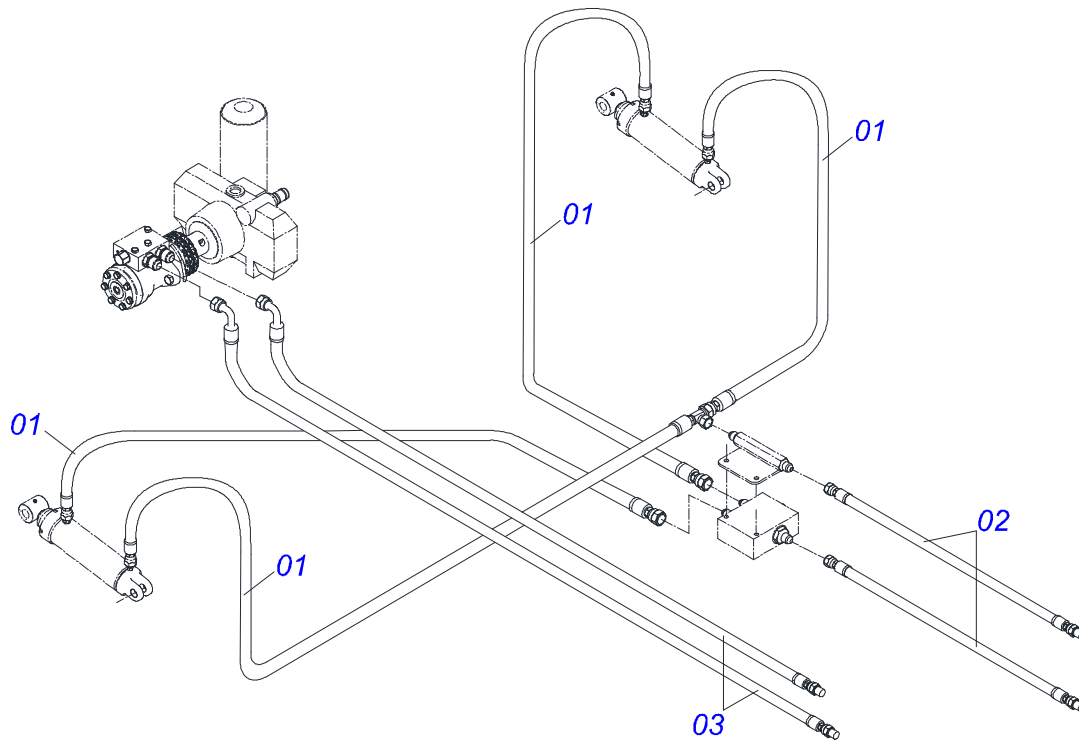
Item	Code	Description	See page	QT
01	0503010190	2-114 N 3006-9B O'RING		09
02	0581011539	ADAPTER		09
03	0581011538	DISTRIBUTOR FERTILIZER		01



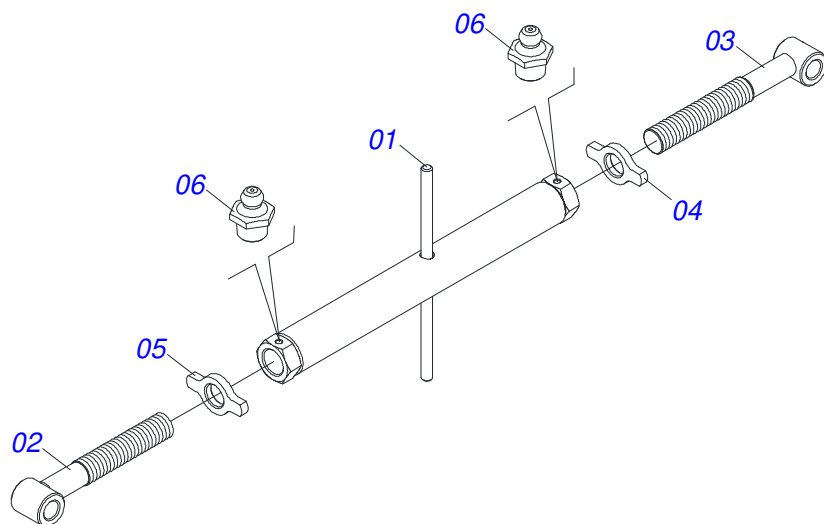
Item	Code	Description	See page	QT
01	0503010190	2-114 N 3006-9B O'RING		07
02	0581011539	ADAPTER		07
03	0581011943	DISTRIBUTOR FERTILIZER		01



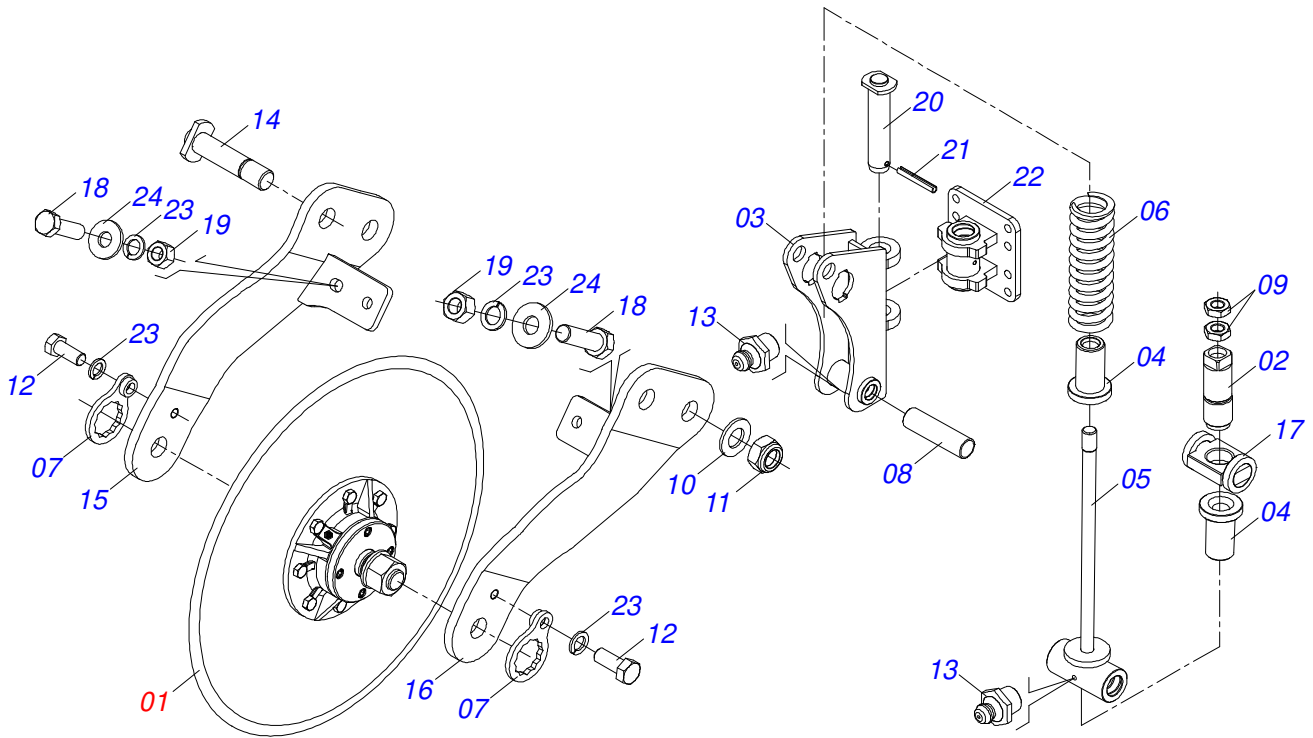
Item	Code	Description	See page	QT
01	0501080506	3/8" X 75" TR-TR HOSE ASSY		04
02	0501080384	3/8" X 118" TR-TM HOSE		02
03	0501080622	3/8" X 145.6" TC-TM HOSE ASSY		02



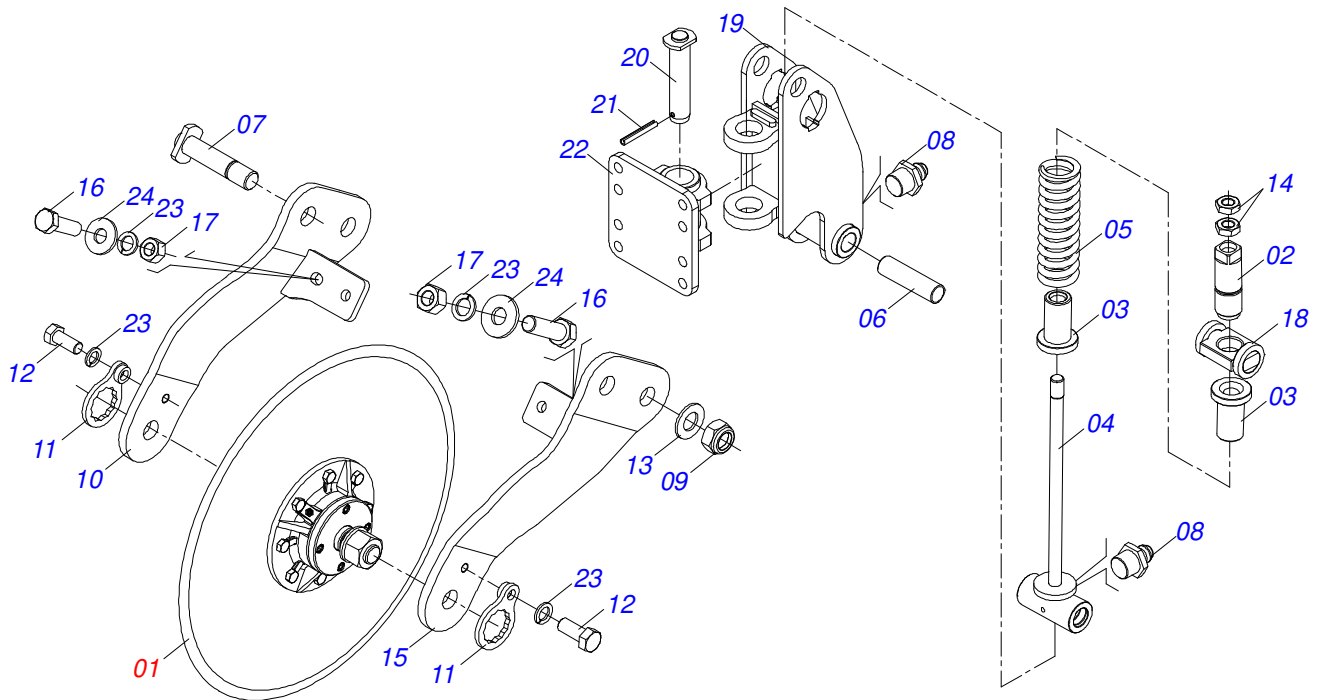
Item	Code	Description	See page	QT
01	0501080439	3/8" X 43" TR-TR HOSE		04
02	0501080384	3/8" X 118" TR-TM HOSE		02
03	0501080622	3/8" X 145.6" TC-TM HOSE ASSY		02



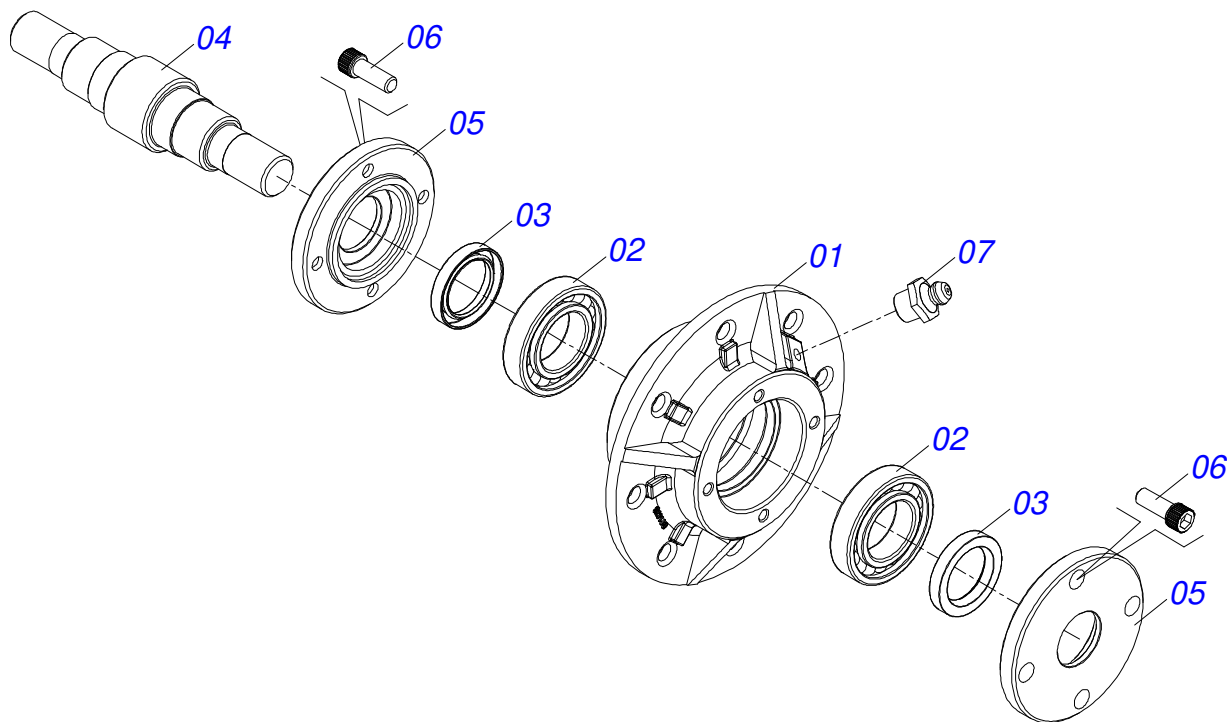
Item	Code	Description	See page	QT
01	0511063786	EXTENDER 950		01
02	0511063787	RIGHT EXTENDER SPINDLE R1.1/2 X 432		01
03	0511063788	LEFT EXTENDER SPINDLE R1.1/2 X 432		01
04	0541018672	COUNTERNUT		01
05	0541018673	COUNTERNUT		01
06	0503010002	1800 GREASE FITTING		02



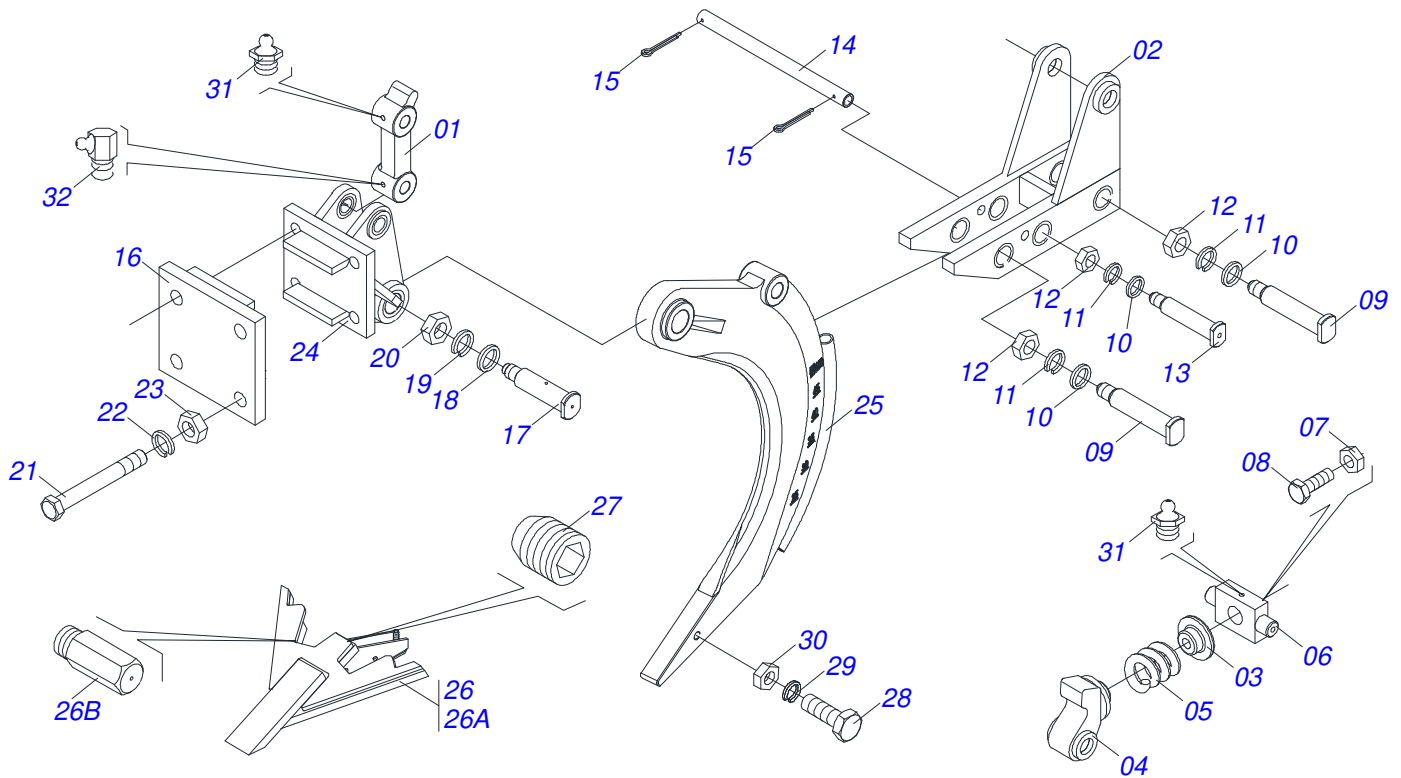
Item	Code	Description	See page	QT
01	0511053370	24" X 7,5 BLADE DISC ASSY		01
02	0571010668	2" REGULATOR SPINDLE		01
03	0521065137	REAR FIXER		01
04	0571010669	SLEEVE Ø28,58 X Ø50 X 105		02
05	0521062925	PRING ROD		01
06	0503031390	2.1"X10"X1/2" COMPRESSION SPRING		01
07	0501069637	AXLE NUT LOCK		02
08	0551014549	SLEEVE 32,54 X 37,80 X 140		02
09	0503013635	1" NUT		02
10	0501017779	32 X 60 X 4.75 FLAT WASHER		02
11	0503010044	1-1/4" SELF LOCKING NUT		02
12	0503011267	5/8 UNC X 1.1/2 C S G.5 ZN BOLT		02
13	0503010002	1800 GREASE FITTING		03
14	0521062926	COUPLING SHAFT		02
15	0521062924	RIGHT ARM THE BLADE DISC		01
16	0521064686	RIGHT ARM OF THE BLADE DISC		01
17	0521064687	SPRING LOCKNUT		01
18	0501010100	SCREW 5/8 UNC X 2 CS G.5 ZN		02
19	0503010013	5/8 NUT		02
20	0521065131	COUPLING SHAFT		01
21	0503016184	SPRING PIN		01
22	0521065132	SPRING FIXER		01
23	0503810027	WASHER PRESSURE 5/8 SA		08
24	0501012140	FLAT WASHER		02



Item	Code	Description	See page	QT
01	0511053370	24" X 7,5 BLADE DISC ASSY		01
02	0571010668	2" REGULATOR SPINDLE		01
03	0571010669	SLEEVE Ø28,58 X Ø50 X 105		02
04	0521062925	PRING ROD		01
05	0503031390	2.1"X10"X1/2" COMPRESSION SPRING		01
06	0551014549	SLEEVE 32,54 X 37,80 X 140		02
07	0521062926	COUPLING SHAFT		02
08	0503010002	1800 GREASE FITTING		03
09	0503010044	1-1/4" SELF LOCKING NUT		02
10	0521062924	RIGHT ARM THE BLADE DISC		01
11	0501069637	AXLE NUT LOCK		02
12	0503011267	5/8 UNC X 1.1/2 C S G.5 ZN BOLT		02
13	0501017779	32 X 60 X 4.75 FLAT WASHER		02
14	0503013635	1" NUT		02
15	0521064686	RIGHT ARM OF THE BLADE DISC		01
16	0501010100	SCREW 5/8 UNC X 2 CS G.5 ZN		02
17	0503010013	5/8 NUT		02
18	0521064687	SPRING LOCKNUT		01
19	0521065138	FRONT FIXER		01
20	0521065131	COUPLING SHAFT		01
21	0503016184	SPRING PIN		01
22	0521065132	SPRING FIXER		01
23	0503810027	WASHER PRESSURE 5/8 SA		08
24	0501012140	FLAT WASHER		02

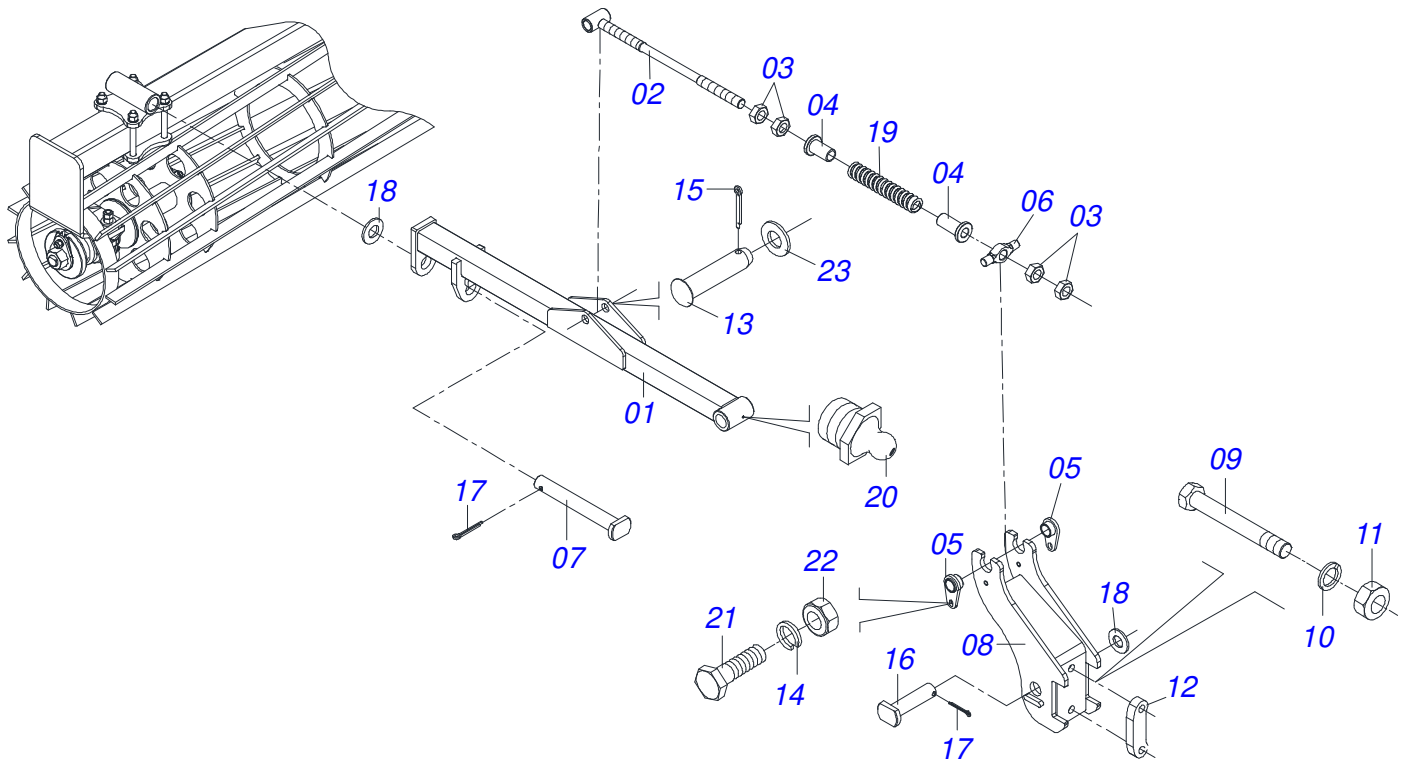


Item	Code	Description	See page	QT
01	0502011478	DISC HUB		01
02	0503011291	6209 BALL BEARING		02
03	0503012106	SEAL RETAINER 00521-BR		02
04	0521012661	DISC BLADE HUB AXLE		01
05	0502011477	BLADE DISC HOUSIG CP		02
06	0503010134	3/8" X 1" BOLT		08
07	0503010002	1800 GREASE FITTING		01
08	1882970002	GREASE SOAP		0,03Kg

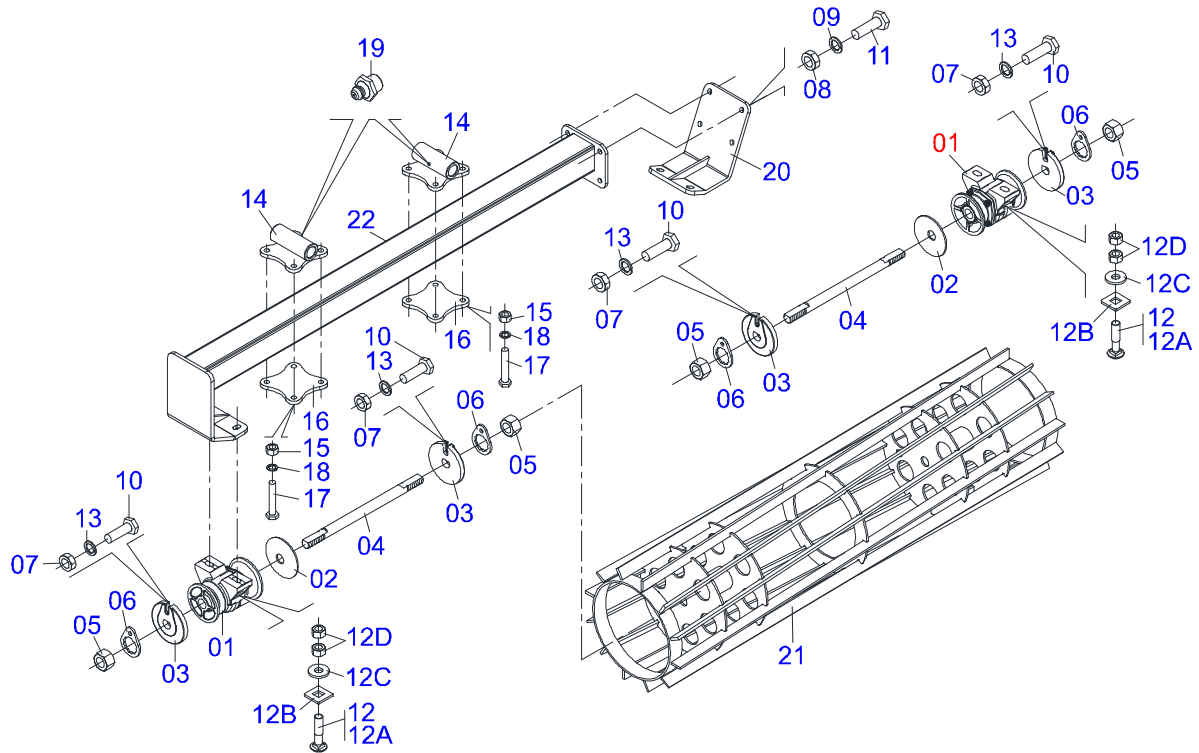


Item	Code	Description	See page	QT
01	0502040792	UPPER ARM DISARM		01
02	0502012550	LOWER ARM DISARM		01
03	0521017340	SPRING GUIDE		01
04	0502040791	HITCH DISARM		01
05	0503031882	SPRING		01
06	0502012547	SUPPORT BOLT		01
07	0503012670	LOCKNUT 1-1/2"		01
08	0521017339	REGULATION BOLT		01
09	0521017256	DISARMENT PIN		03
10	0501010076	FLAT WASHER		04
11	0503011447	SPRING WASHER		04
12	0503012182	1" NUT		04
13	0521017255	DISARMENT PIN		01
14	0521017338	PIN LOCK CACC 32600 4081632 ZN		01
15	0503010362	1/8 X 1.1/4 COTTERPIN		02
16	0502012548	ROD HOLDER ASSEMBLY		01
17	0521017254	ARTICULATION PIN		01
18	0501010086	FLAT WASHER		01
19	0503011439	1.1/4" SPRING WASHER		01
20	0503010352	1.1/4" UNF NUT		01
21	0503013137	1" X 8" BOLT		04
22	0503011438	SPRING WASHER		04
23	0503012182	1" NUT		04
24	0502012549	ROD SUPPORT		01
25	0521062035	ROD WITH CONDUCTOR		01
26	0511049712	ASSY TIP ROD ASSY		01
26A	0521062454	ROD TIP		01
26B	0561019241	HERBICIDE OUTLET DUCT		04
27	0561014975	PLUG		04
28	0503010734	1/2" X 2-1/2" BOLT		01
29	0503010019	1/2" SPRING WASHER		01

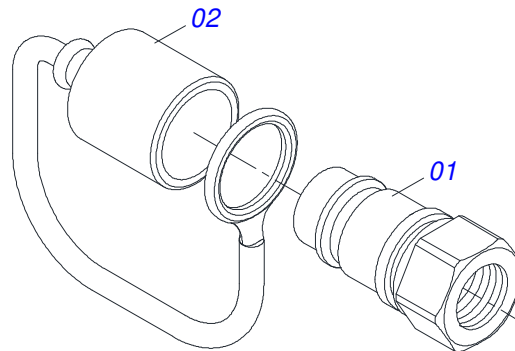
Item	Code	Description	See page	QT
30	0503010060	1/2 UNC G.5 ZN HEX NUT		01
31	0503010002	1800 GREASE FITTING		04
32	0503010003	1845 GREASE FITTING		01



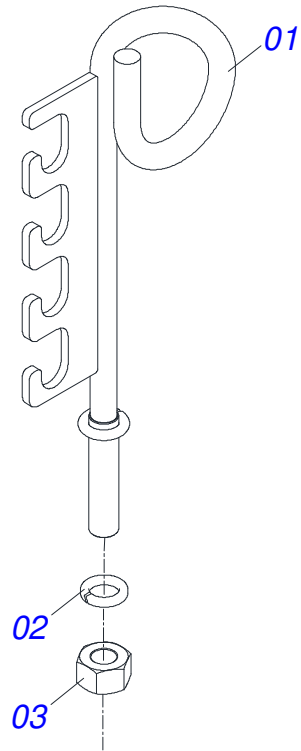
Item	Code	Description	See page	QT
01	0521066934	BREAKER ROLLER ARM ASSY		01
02	0521065532	SPRING ROD		01
03	0501010059	1.5/8 NUT		04
04	0571011377	SPRING GUIDE SLEEVE		02
05	0521063151	TRUNNION LOCK ARTICULATOR SPRING ROD		02
06	0571011378	TRUNNION ARTICULATOR SPRING ROD		01
07	0521062685	ARTICULATION AXIS		01
08	0521065529	ROLLER FIXATION SUPPORT		01
09	0503014744	3/4 UNF X 7.1/2 C S G.7 ZN BOLT		02
10	0503010023	3/4" SPRING WASHER		02
11	0503010335	3/4 NUT		02
12	0571011609	DISC BLADE FIXER PLATE		01
13	0521010578	COUPLING SHAFT		01
14	0503010019	1/2" SPRING WASHER		02
15	0503010523	1/4" X 2" SPLIT PIN		01
16	0521010808	1.4" X 5.8" COUPLING SHAFT		01
17	0503012267	5/16" X 3" COTTER PIN		02
18	0511019685	FLAT WASHER		02
19	0503031575	COMPRESSION SPRING		01
20	0503010002	1800 GREASE FITTING		01
21	0503010920	1/2 UNC X 1.1/2 C S G.5 ZN BOLT		02
22	0503010060	1/2 UNC G.5 ZN HEX NUT		02
23	0511015346	FLAT WASHER		01



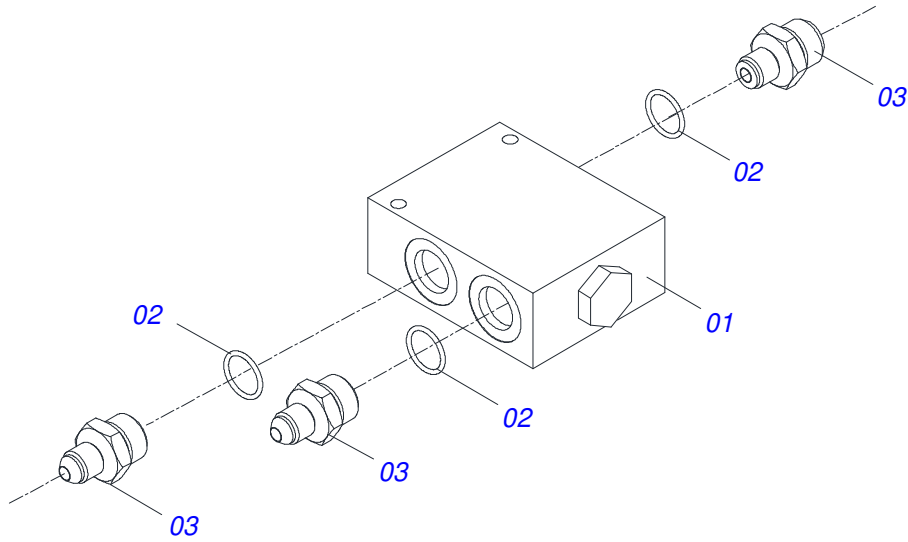
Item	Code	Description	See page	QT
01	0501046922	AGRICULTURAL BEARING DM OL 7 X 1.1/4 IMPLEMENT		02
02	0531018575	WASHER CONCAVE		02
03	1902010835	1-1/4" EXTERNAL AXLE WASHER		04
04	0501010752	1.1/4 X 500 AXLE		02
05	0501010087	1.1/4" NUT		04
06	0501010455	1.1/4" NUT LOCK		04
07	0503010060	1/2 UNC G.5 ZN HEX NUT		04
08	0503010013	5/8 NUT		04
09	0503011445	SPRING WASHER		04
10	0501010161	1/2" X 1.1/4" BOLT		04
11	0503010232	5/8" X 1.3/4" BOLT		04
12	0501058802	5/8 UNC X 2.3/4 BOLT ASSY		04
12A	0503015154	5/8" X 2.3/4" BOLT		01
12B	0501010947	5/8 NUT LOCK		01
12C	0501012140	FLAT WASHER		01
12D	0503010013	5/8 NUT		02
13	0503011440	SPRING WASHER		04
14	0521065253	ROLLER FIXER		02
15	0503010013	5/8 NUT		08
16	0571017230	FIXER PLATE		02
17	0501013867	BOLT 5/8 UNC X 6 CS G.5 ZN		08
18	0503010027	5/8 SPRING WASHER		08
19	0503010002	1800 GREASE FITTING		02
20	0521062673	BRACKET MOBILE FIXER ROLLER		01
21	0521065547	ARM ROLLE ASSY		01
22	0521065550	BREAK ROLLER SUPPORT		01



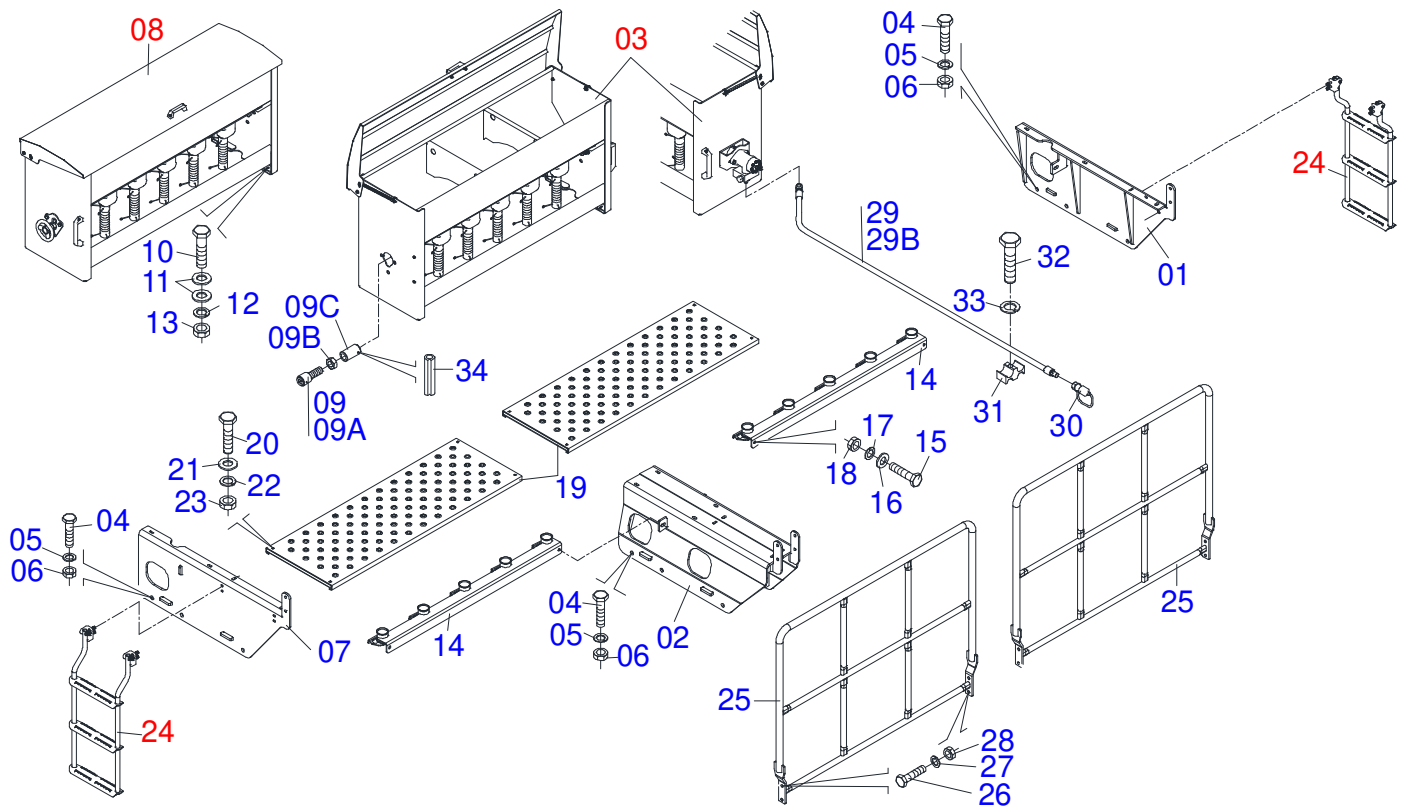
Item	Code	Description	See page	QT
01	0503011627	MALE QUICK COUPLER AGR 1/2 NPT		01
02	0503011882	MALE QUICK COUPLER CAP		01



Item	Code	Description	See page	QT
01	0501060409	HOSE SUPPORT ASSY		01
02	0503011442	3/4" SPRING WASHER		01
03	0503010014	3/4" HEX NUT		01

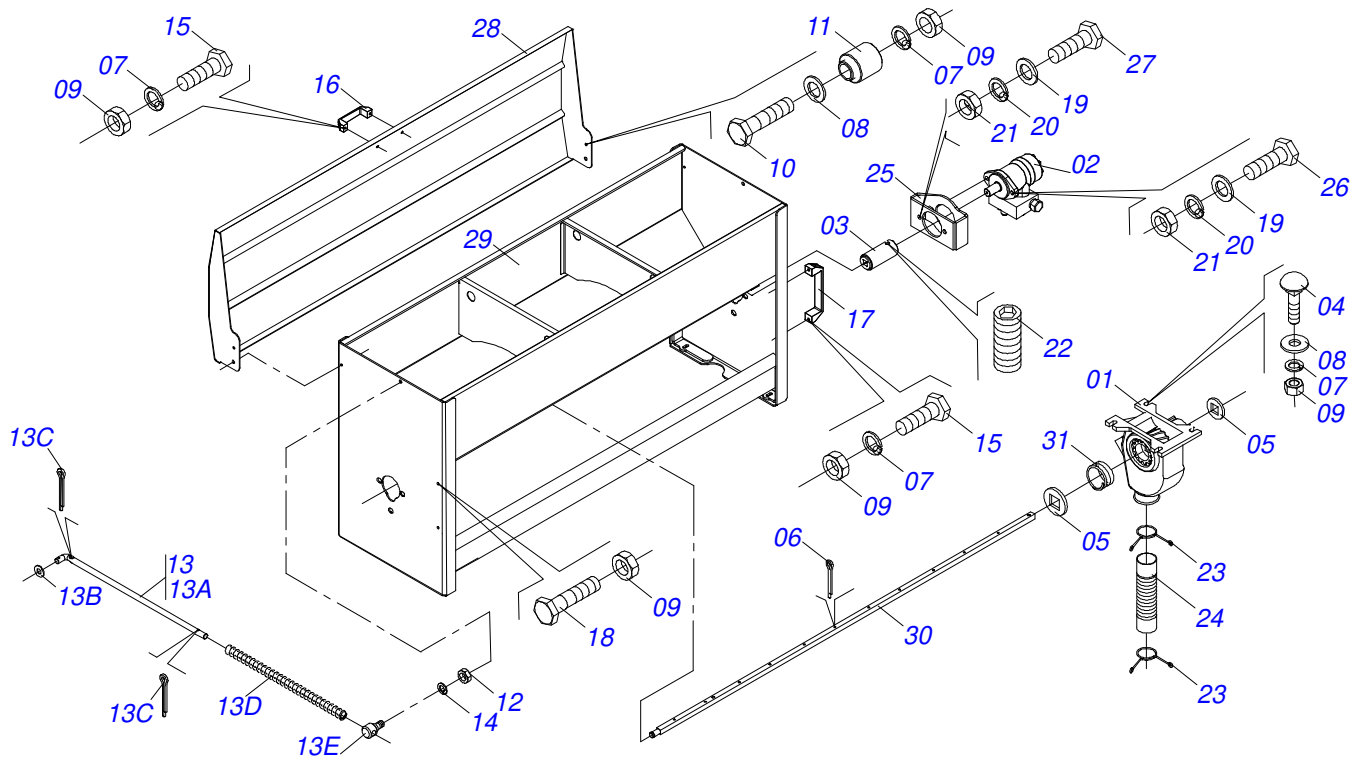


Item	Code	Description	See page	QT
01	0503016227	FLOW DIVIDING VALVE		01
02	0503011109	2-119 N 3006-9B O'RING		03
03	0521014704	HOSE NIPPLE 3/4 UNF		03



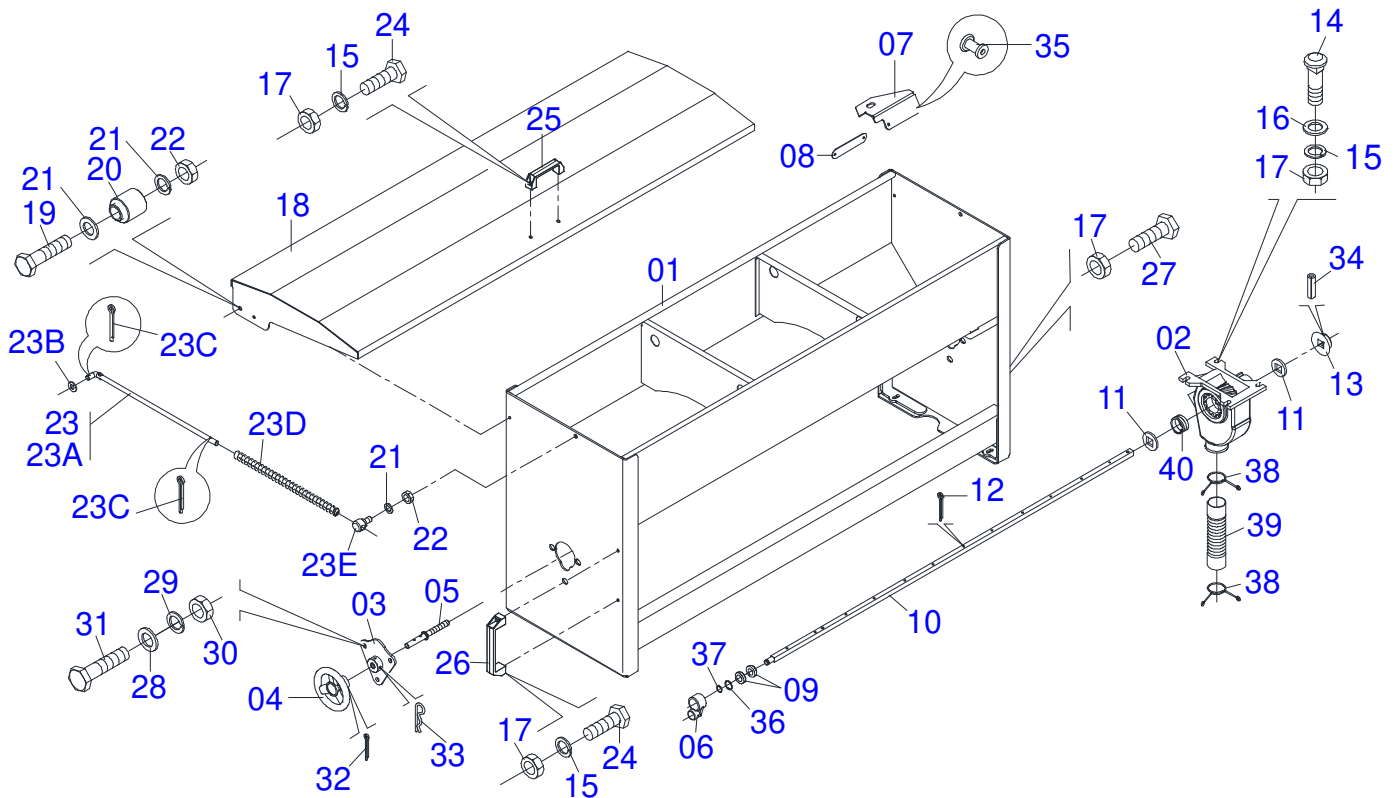
Item	Code	Description	See page	QT
001	0521065710	LEFT SUPPORT FIXING BOX		01
002	0521067877	CENTRAL SUPPORT WITH FIXATION		01
003	0511056927	LEFT FINE SEED BOX	30	01
004	0501018059	3/4" X 2-1/4" BOLT		12
005	0503010023	3/4" SPRING WASHER		12
006	0503010014	3/4" HEX NUT		12
007	0521065708	FIXER BOX SUPPORT		01
008	0511056925	RIGHT FINE SEED BOX	31	01
009	0521051159	SEED AXLE REGULATOR		01
009A	0521067880	ADJUSTING NUT		01
009B	0503013094	1.1/4" NUT		01
009C	0521064906	SEED AXLE ADJUSTMENT FUSE		01
010	0503011404	BOLT		08
011	0501010984	10,50 X 27 X 3,00 FLAT WASHER		16
012	0503010025	3/8 SPRING WASHER		08
013	0503010026	3/8" NUT		08
014	0521065715	SUPPORT HOSE		02
015	0503010920	1/2 UNC X 1.1/2 C S G.5 ZN BOLT		04
016	0501010937	13,50 X 28 X 3,00 FLAT WASHER		04
017	0503010019	1/2" SPRING WASHER		04
018	0503010060	1/2 UNC G.5 ZN HEX NUT		04
019	0521065717	1614 PLATAFORM		02
020	0501011778	3/8" X 2-1/2" BOLT		08
021	0501010984	10,50 X 27 X 3,00 FLAT WASHER		08
022	0503010025	3/8 SPRING WASHER		08
023	0503010026	3/8" NUT		08
024	0521051192	SIDE LADDER ASSEMBLY	32	02
025	0521065716	1570 HANDRAIL		02
026	0503010920	1/2 UNC X 1.1/2 C S G.5 ZN BOLT		08
027	0503010019	1/2" SPRING WASHER		08
028	0503010060	1/2 UNC G.5 ZN HEX NUT		08

Item	Code	Description	See page	QT
029	0521051190	HOSE ASSY		01
029A	0503033158	PLASTIC BAG		01
029B	0501081979	1/2" X 9500 TR-TM HOSE ASSY		02
030	0501053834	MALE QUICK COUPLER	26	02
031	0502012702	BODY SUPPORT CLAMP		04
032	0503012555	SCREW 7/16 UNC X 2 CS RT G.7 ZN		04
033	0503010180	7/16" SPRING WASHER		04
034	0503010775	SPRING PIN		02



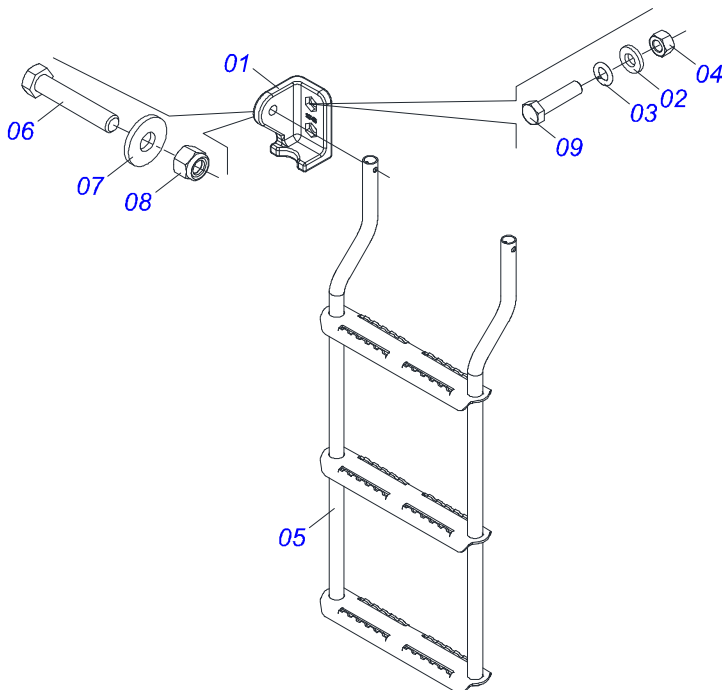
Item	Code	Description	See page	QT
01	0503032990	SEED DISTRIBUTOR HOPPER ASSY	06	
02	0501053421	ASSY HYDRAULIC MOTOR WITH VALVE	01	
03	0521063649	COUPLING SLEEVE	01	
04	0503011953	5/16" X 1" BOLT	20	
05	0541015361	FLAT WASHER	10	
06	0503010257	1/8" X 1" COTTERPIN	10	
07	0503010179	LOCK WASHER 5/16 ZN 1K01528	26	
08	0501010694	FLAT WASHER	22	
09	0503010337	5/16" NUT	28	
10	0503010421	5/16" X 1-1/2" BOLT	02	
11	0521011116	COVER PIVOT BUSHING	02	
12	0503010026	3/8" NUT	02	
13	0501051927	COVER PIVOT SHAFT ASSY	02	
13A	0521011120	COVER PIVOT SHAFT	02	
13B	0501010694	FLAT WASHER	02	
13C	0503010140	1/8" X 3/4" COTTERPIN	04	
13D	0503031329	COMPRESSION SPRING	02	
13E	0521011117	PIVOT SPRING AXLE	02	
14	0501010984	10,50 X 27 X 3,00 FLAT WASHER	02	
15	0503010363	BOLT 5/16 UNC X 1 C S G.2 ZN	04	
16	0503011907	NYLON HANDLE	01	
17	0503011957	NYLON HANDLE	01	
18	0503010295	SCREW 5/16 UNC X 5/8 CS G.2 ZN	02	
19	0511017302	FLAT WASHER 13,50 X 32,50 X 3,0 ZN	04	
20	0503010019	1/2" SPRING WASHER	04	
21	0503010060	1/2 UNC G.5 ZN HEX NUT	04	
22	0503011136	BOLT 1/2 UNC X 1/2 S C S I 12.9	01	
23	0503031076	2" HOSE CLAMP	06	
24	0503030645	2 X 2 X 225 HOSE	05	
25	0511060346	MOTOR FIXER SUPPORT	01	
26	0503010238	BOLT 1/2 UNC X 1.3/4 CS G.2 ZN	02	

Item	Code	Description	See page	QT
27	0501010161	1/2" X 1.1/4" BOLT		02
28	0521065718	1648 HOPPER LID		01
29	0521065714	SEED BOX		01
30	0571018163	1577 SEED DISTRIBUTOR AXLE		01
31	0503030189	32,3 X 20 X 2,4 COMPRESSION SPRING		05

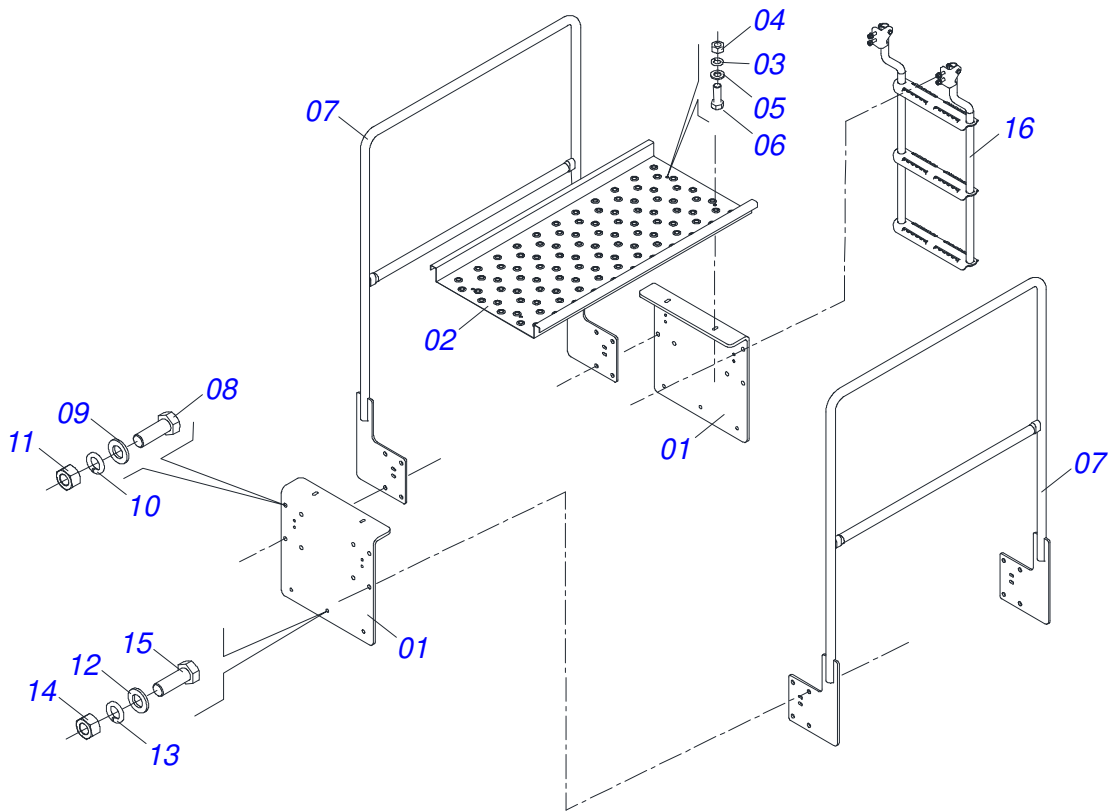


Item	Code	Description	See page	QT
01	0521065714	SEED BOX		01
02	0503032990	SEED DISTRIBUTOR HOPPER ASSY		06
03	0521065734	STEERING WHEEL SUPPORT		01
04	0551019597	SEED REGULATION STEERING WHEEL		01
05	0541015305	HANDLE SPINDLE		01
06	0502012325	SEED REGULATOR BEARING		01
07	0561017360	SEED SCALE SUPPORT		01
08	0503030886	SCALE DOSER		01
09	0503012882	BEARING		02
10	0571018164	1520 SEED DISTRIBUTOR AXLE		01
11	0541015361	FLAT WASHER		12
12	0503010257	1/8" X 1" COTTERPIN		12
13	0503032423	LARGE DOSER		01
14	0503011953	5/16" X 1" BOLT		24
15	0503010179	LOCK WASHER 5/16 ZN 1K01528		30
16	0501010694	FLAT WASHER		26
17	0503010337	5/16" NUT		32
18	0521065718	1648 HOPPER LID		01
19	0503010421	5/16" X 1-1/2" BOLT		02
20	0521011116	COVER PIVOT BUSHING		02
21	0501010984	10,50 X 27 X 3,00 FLAT WASHER		02
22	0503010026	3/8" NUT		02
23	0501051927	COVER PIVOT SHAFT ASSY		02
23A	0521011120	COVER PIVOT SHAFT		02
23B	0501010694	FLAT WASHER		02
23C	0503010140	1/8" X 3/4" COTTERPIN		04
23D	0503031329	COMPRESSION SPRING		02
23E	0521011117	PIVOT SPRING AXLE		02
24	0503010363	BOLT 5/16 UNC X 1 C S G.2 ZN		04
25	0503011907	NYLON HANDLE		01
26	0503011957	NYLON HANDLE		01

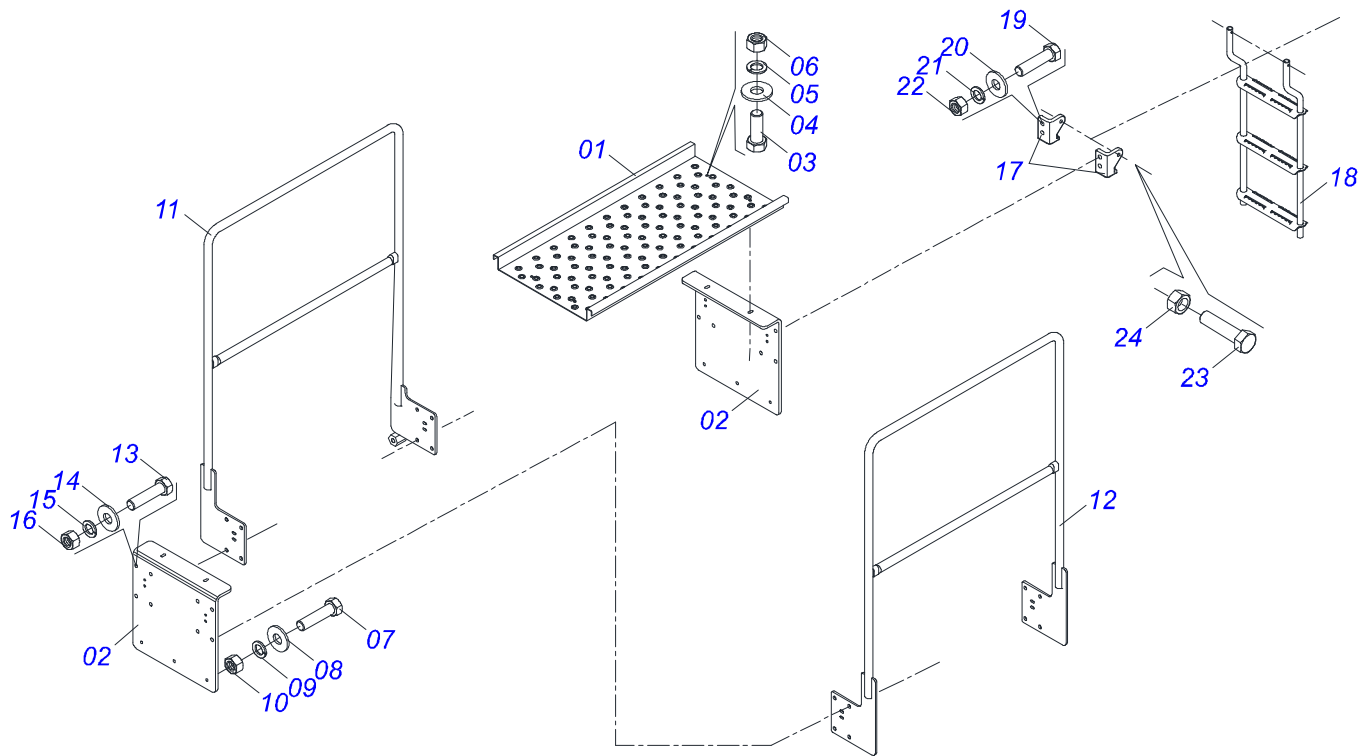
Item	Code	Description	See page	QT
27	0503010295	SCREW 5/16 UNC X 5/8 CS G.2 ZN		02
28	0511017302	FLAT WASHER 13,50 X 32,50 X 3,0 ZN		03
29	0503010019	1/2" SPRING WASHER		03
30	0503010060	1/2 UNC G.5 ZN HEX NUT		03
31	0503014007	1/2" X 1-1/4" BOLT		03
32	0503010523	1/4" X 2" SPLIT PIN		01
33	0503031035	HITCH PIN CLIP		01
34	0503010561	SPRING PIN		01
35	0503010001	3.2 X 5.5 RIVET		02
36	0503011945	503050 CLAMPING RING (FOR AXLE)		01
37	0503012104	501015 CLAMPING RING (FOR AXLE)		01
38	0503031076	2" HOSE CLAMP		12
39	0503030645	2 X 2 X 225 HOSE		06
40	0503030189	32,3 X 20 X 2,4 COMPRESSION SPRING		06



Item	Code	Description	See page	QT
01	0502012742	FIXER SUPPORT LADDER		02
02	0501013687	FLAT WASHER		04
03	0503010025	3/8 SPRING WASHER		04
04	0503010026	3/8" NUT		04
05	0511069819	SIDE LADDER		01
06	0501010096	3/8" X 2" BOLT		02
07	0501010984	10,50 X 27 X 3,00 FLAT WASHER		02
08	0503013357	3/8 SELF-ADJUSTING NUT		02
09	0503010849	3/8" X 1-1/2" BOLT		04



Item	Code	Description	See page	QT
01	0581012810	FIXING BASE		02
02	0581012943	FIXING BASE		01
03	0503010025	3/8 SPRING WASHER		04
04	0503010026	3/8" NUT		04
05	0501010984	10,50 X 27 X 3,00 FLAT WASHER		04
06	0503010751	C3/8" X 1.1/4" HEX BOLT G.5		04
07	0521067288	SIDE CORRIMAO		02
08	0503010232	5/8" X 1.3/4" BOLT		16
09	0501010301	FLAT WASHER		16
10	0503010027	5/8 SPRING WASHER		16
11	0503010013	5/8 NUT		16
12	0501010937	13,50 X 28 X 3,00 FLAT WASHER		06
13	0503010019	1/2" SPRING WASHER		06
14	0503010060	1/2 UNC G.5 ZN HEX NUT		06
15	0503010905	1/2" X 2-1/4" BOLT		06
16	0521051192	SIDE LADDER ASSEMBLY	32	01



Item	Code	Description	See page	QT
01	0521067294	PLATFORM		01
02	0581012810	FIXING BASE		02
03	0503010751	C3/8" X 1.1/4" HEX BOLT G.5		04
04	0501010984	10,50 X 27 X 3,00 FLAT WASHER		04
05	0503010025	3/8 SPRING WASHER		04
06	0503010026	3/8" NUT		04
07	0503011236	3/8" X 2" BOLT		06
08	0501010984	10,50 X 27 X 3,00 FLAT WASHER		06
09	0503010025	3/8 SPRING WASHER		06
10	0503010026	3/8" NUT		06
11	0521067291	FRONT SIDE CORRIMAO		01
12	0521067290	SIDE HANDRAIL		01
13	0503010232	5/8" X 1.3/4" BOLT		16
14	0501010301	FLAT WASHER		16
15	0503010027	5/8 SPRING WASHER		16
16	0503010013	5/8 NUT		16
17	0502012742	FIXER SUPPORT LADDER		02
18	0521066904	LADDER		01
19	0503010849	3/8" X 1-1/2" BOLT		04
20	0501013518	FLAT WASHER		04
21	0503010025	3/8 SPRING WASHER		04
22	0503010026	3/8" NUT		04
23	0503011179	3/8" X 2-1/4" BOLT		02
24	0503013357	3/8 SELF-ADJUSTING NUT		02



civemasa

Technical Publications | Elaboration and Revision

LUIZ CANDIDO

www.civemasa.com.br

