

**APPLICATORS INSECTICIDE LOCATED**

## ASPER 04 ROWS - MH - 1200L - KIT

**Code:** 0501092048  
**Series:** S-0417  
**Revision:** 00  
**Revision Date:** NOVEMBRO/2017

# PARTS CATALOGUE


***CIVEMASA***

# PRODUCTS

<b>Code</b>	<b>Description</b>	
0121750002	ASPER 4L MH 1200L KIT 70/30 AR	S-0417

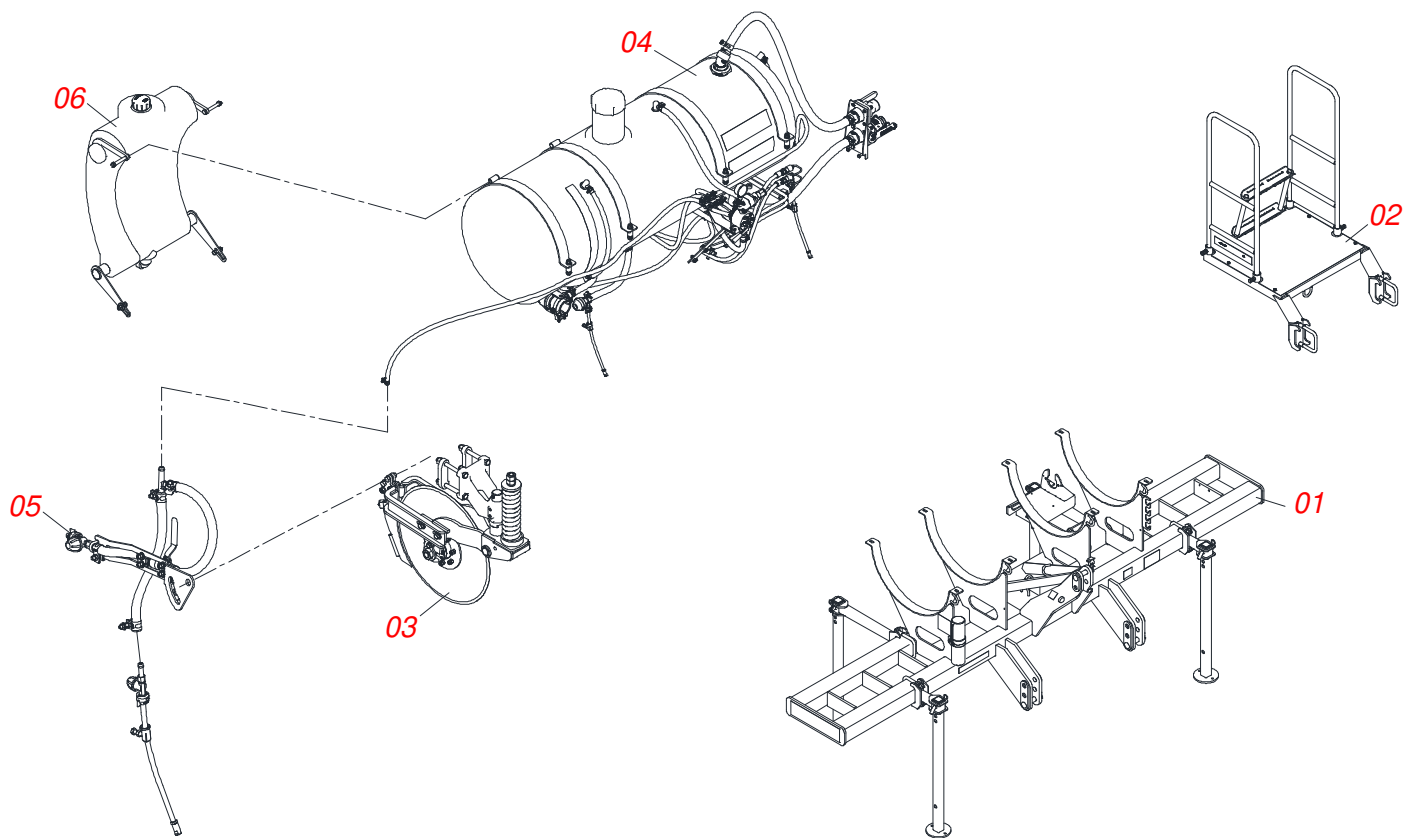
## **ATTENTION: IMPORTANT**

CIVEMASA reserves the right to improve and/or modify the technical features of its products, without obligation to do the same with those products already sold and without prior knowledge of the dealer or the customer. The photos are only illustrative.

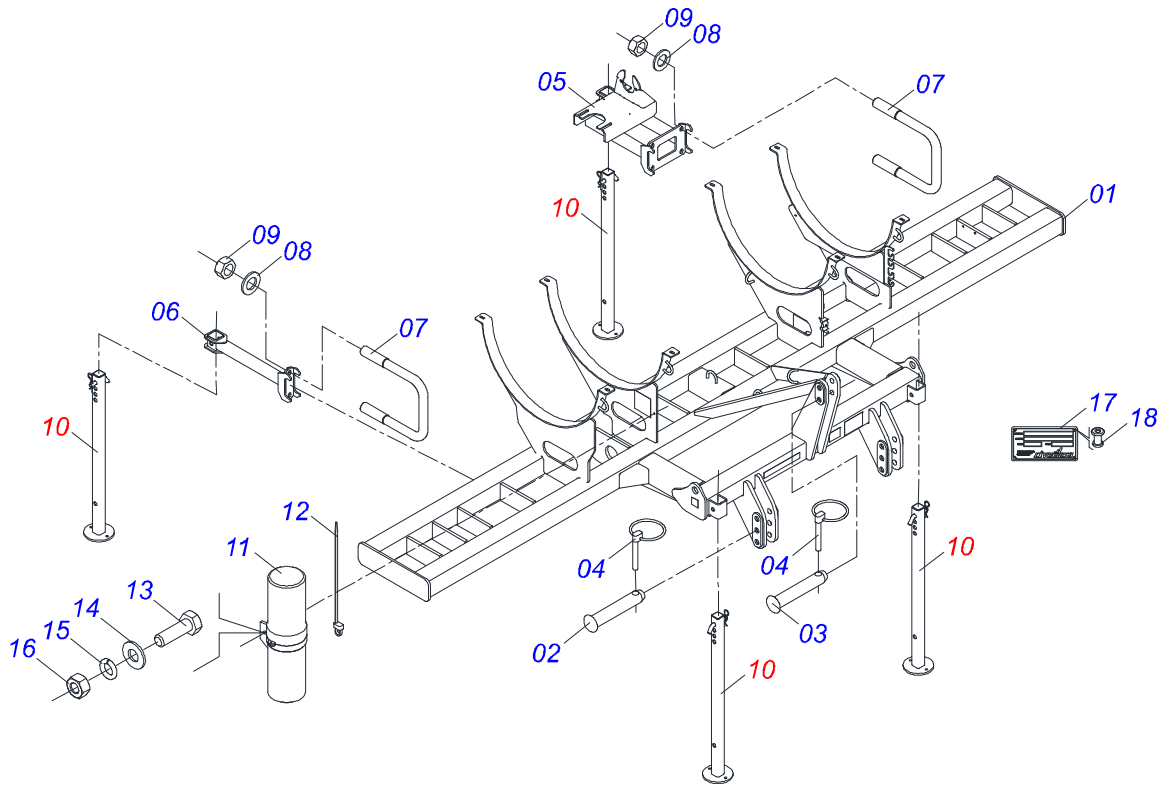


# INDEX

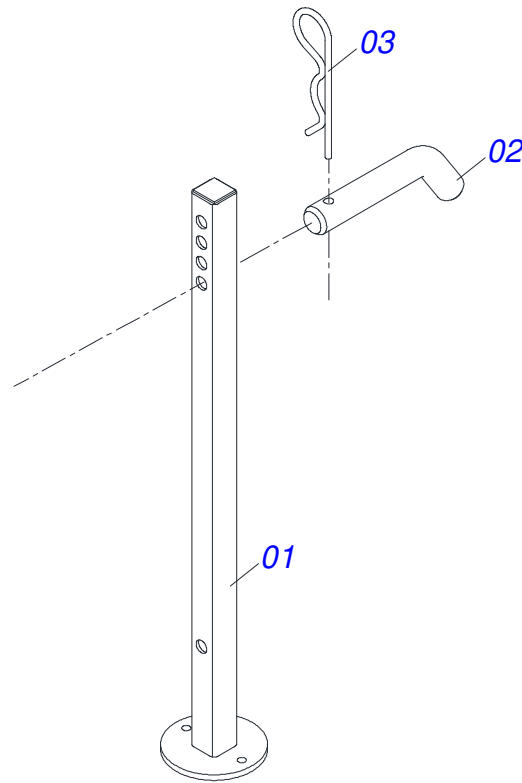
0521047437	FRAME ASSY	.....	1
0521051221	SEMIFINISHED FRAME	.....	2
0521051123	PLOUGH SUPPORT ASSY	.....	3
0521051029	16" BLADE DISC ASSY	.....	4
0501052395	26" CUTTING DISK WITH BOX	.....	5
0501057526	DISC HUB	.....	6
0521051222	PULVERIZATION KIT	.....	7
0521051118	RESERVOIR	.....	8
0909093839	RESERVOIR FIXING BELT ASSEMBLY	.....	9
0909093840	HITCH SET OFFSET	.....	10
0909093841	ASSY SET FIXER MOTOR	.....	11
0909093842	BLOCK LIMITATION COMPLETE	.....	12
0909093843	SUCTION FILTER	.....	13
0909093844	COMMAND JACTO	.....	14
0909093845	OIL TUBE ASSY	.....	15
0521051122	PLATFORM ASSY	.....	16
0521051035	KIT 70/30	.....	17
0521051224	RESERVOIR	.....	18
0501053834	MALE QUICK COUPLER	.....	19



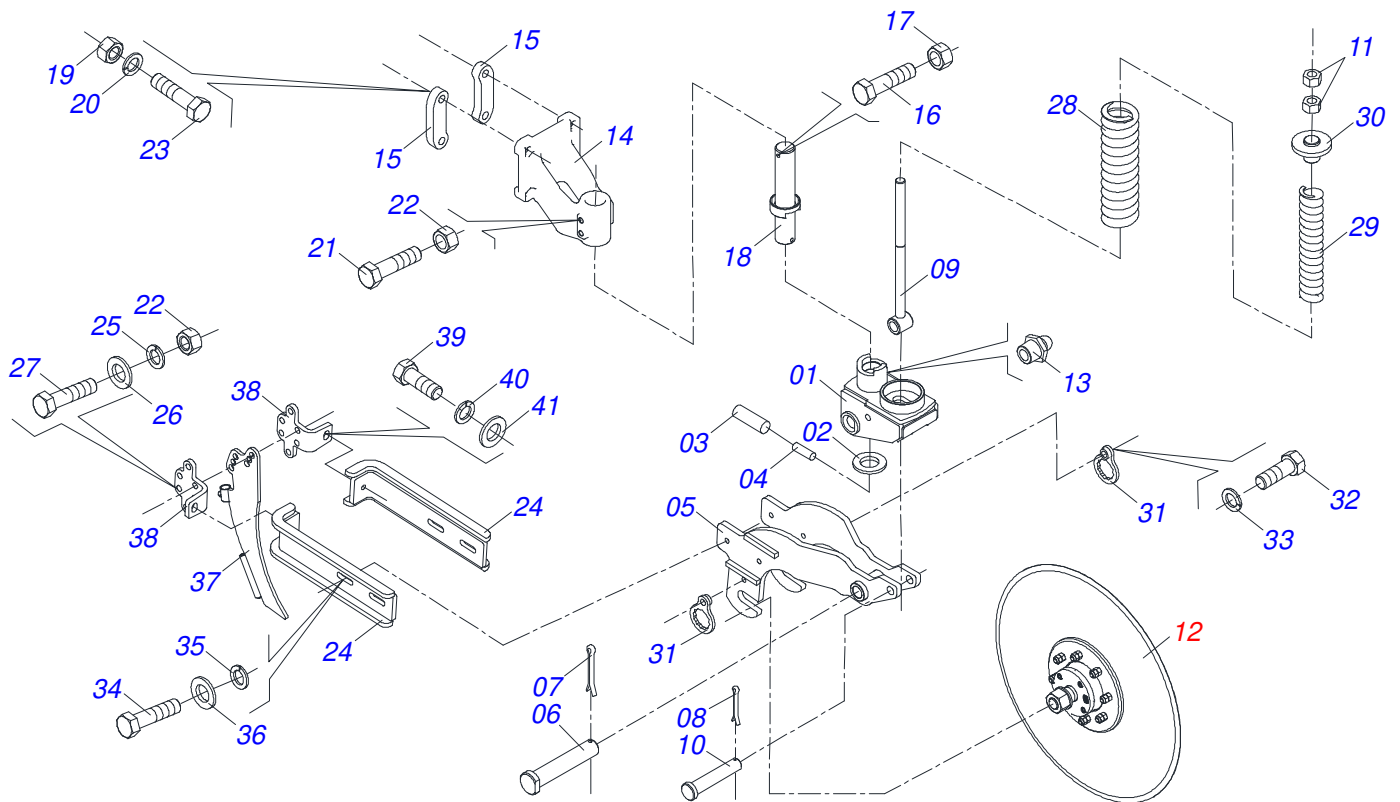
Item	Code	Description	See page	QT
01	0521051221	SEMIFINISHED FRAME	2	01
02	0521051122	PLATFORM ASSY	16	01
03	0521051029	16" BLADE DISC ASSY	4	04
04	0521051222	PULVERIZATION KIT	7	01
05	0521051035	KIT 70/30	17	04
06	0521051224	RESERVOIR	18	01



Item	Code	Description	See page	QT
001	0521067855	FRAME SPACING		01
002	0521012124	COUPLING SHAFT		02
003	0521012533	COUPLING SHAFT		01
004	0503030085	LOCK PIN		03
005	0521067858	SUPPORT		01
006	0521067871	LARGER SUPPORT		01
007	0581014522	FASTENER ASSY		05
008	0501010322	FLAT WASHER		10
009	0503011255	3/4" LOCK NUT		10
010	0521051123	PLOUGH SUPPORT ASSY	3	04
011	0503060100	INSTRUCTIONS MANUAL CANISTER		01
012	0503010267	NYLON CLAMP		01
013	0503010371	5/16" X 1" BOLT		01
014	0501010694	FLAT WASHER		01
015	0503010179	LOCK WASHER 5/16 ZN 1K01528		01
016	0503010337	5/16" NUT		01
017	0503034004	ALUMINUM IDENTIFICATION LABEL		01
018	0503010001	3.2 X 5.5 RIVET		04



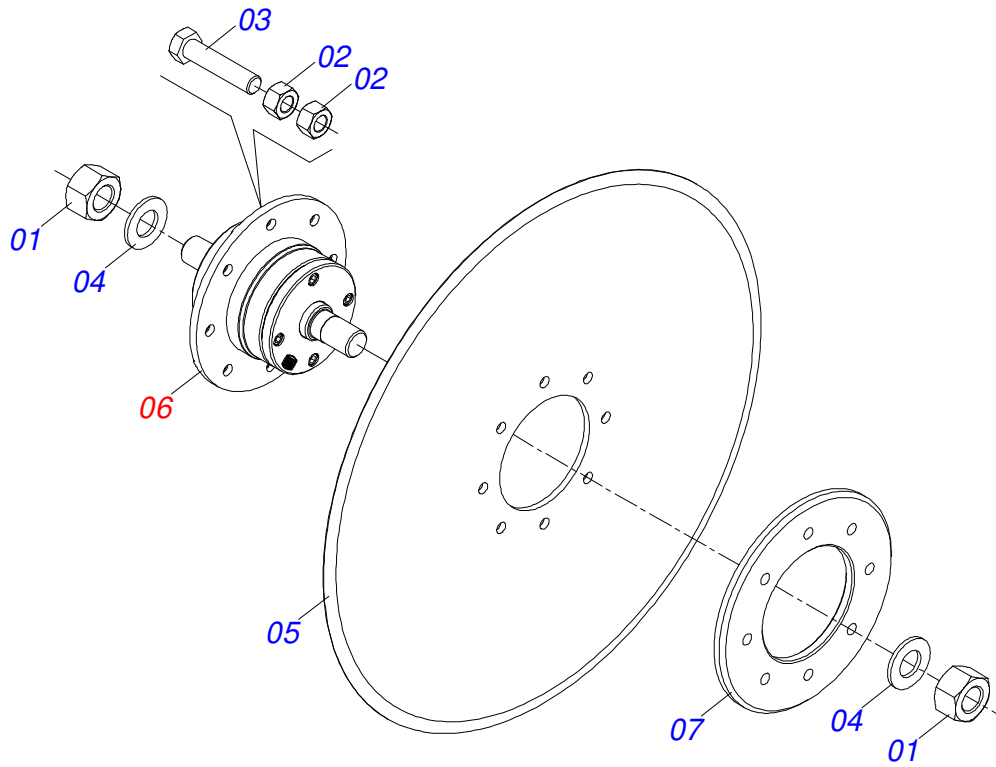
Item	Code	Description	See page	QT
001	0521067869	PLOUGH SUPPORT		01
002	0501011075	PIN		01
003	0503030012	HITCH PIN CLIP		01



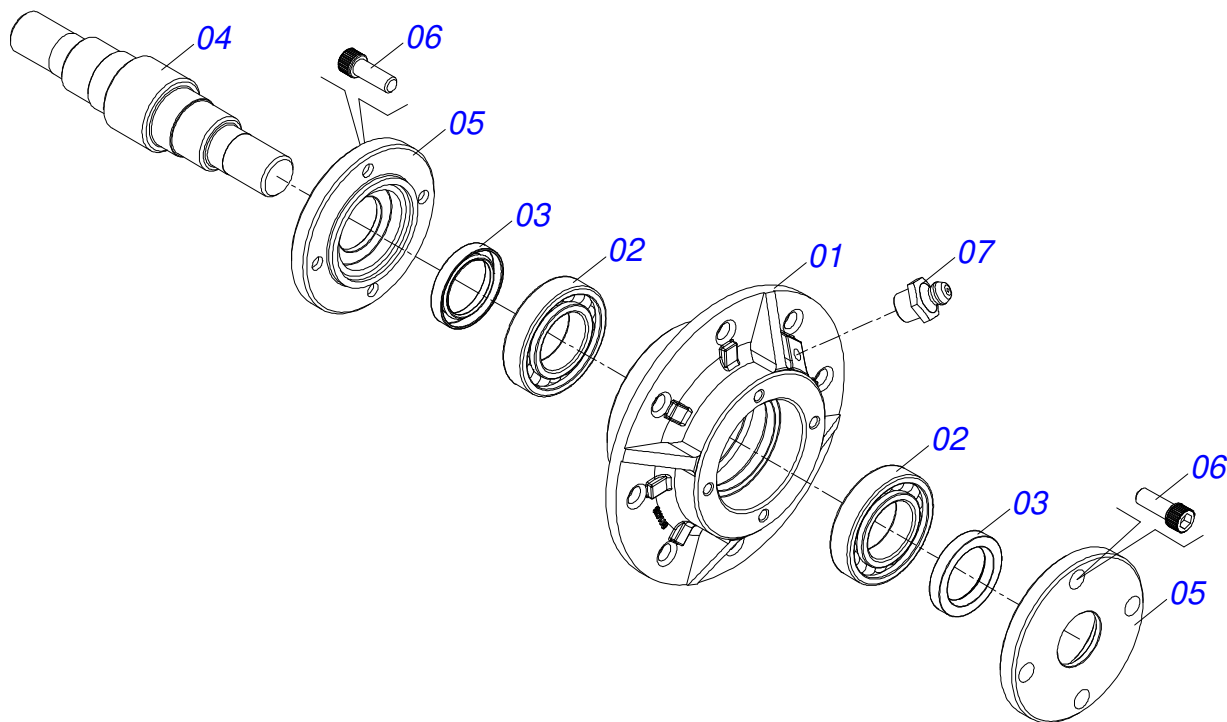
Item	Code	Description	See page	QT
01	0521061328	SWIVEL BASE		01
02	0561015610	FLAT WASHER		01
03	0503010361	SPRING PIN		01
04	0503010756	0.2" X 2.4" SPRING PIN		01
05	0521068161	BLADE DISC FORK		01
06	0561015339	BLADE DISC AXLE ASSY		01
07	0503010571	1/4" X 1.1/2" SPLIT PIN		01
08	0503010010	1/4" X 2.1/2" SPLIT PIN		01
09	0521068160	SPRING ROD		01
10	0561019515	COUPLING SHAFT		01
11	0501010059	1.5/8 NUT		02
12	0501052395	26" CUTTING DISK WITH BOX	5	01
13	0503010002	1800 GREASE FITTING		02
14	0502012796	BLADE DISC SUPPORT ASSY		01
15	0571011609	DISC BLADE FIXER PLATE		02
16	0503011268	3/8" X 2-1/2" BOLT		01
17	0503010026	3/8" NUT		01
18	0521067857	BLADE DISC AXLE ASSY		01
19	0503010335	3/4 NUT		04
20	0503010023	3/4" SPRING WASHER		04
21	0503034318	5/8 UNC X 2 BOLT		02
22	0503010013	5/8 NUT		02
23	0503014744	3/4 UNF X 7.1/2 C S G.7 ZN BOLT		04
24	0521068180	LEFT ARM/RIGHT		02
25	0503010027	5/8 SPRING WASHER		08
26	0501012140	FLAT WASHER		06
27	0503010233	5/8" X 2-1/2" BOLT		02
28	0503034531	COMPRESSSION SPRING		01
29	0503034530	COMPRESSSION SPRING		01
30	0521068159	SPRING GUIDES UPPER		01
31	0501069637	AXLE NUT LOCK		02

<b>Item</b>	<b>Code</b>	<b>Description</b>	<b>See page</b>	<b>QT</b>
32	0503810962	5/8 UNC X 1.1/4 C S G.5 BOLT		02
33	0503011445	SPRING WASHER		02
34	0503011267	5/8 UNC X 1.1/2 C S G.5 ZN BOLT		04
35	0503010027	5/8 SPRING WASHER		04
36	0501012140	FLAT WASHER		04
37	0521068156	SHANKS ASSY		01
38	0581015307	HOLDER PLATE		02
39	0503010962	5/8" X 1-1/4" BOLT		02
40	0503010027	5/8 SPRING WASHER		02
41	0501012140	FLAT WASHER		02

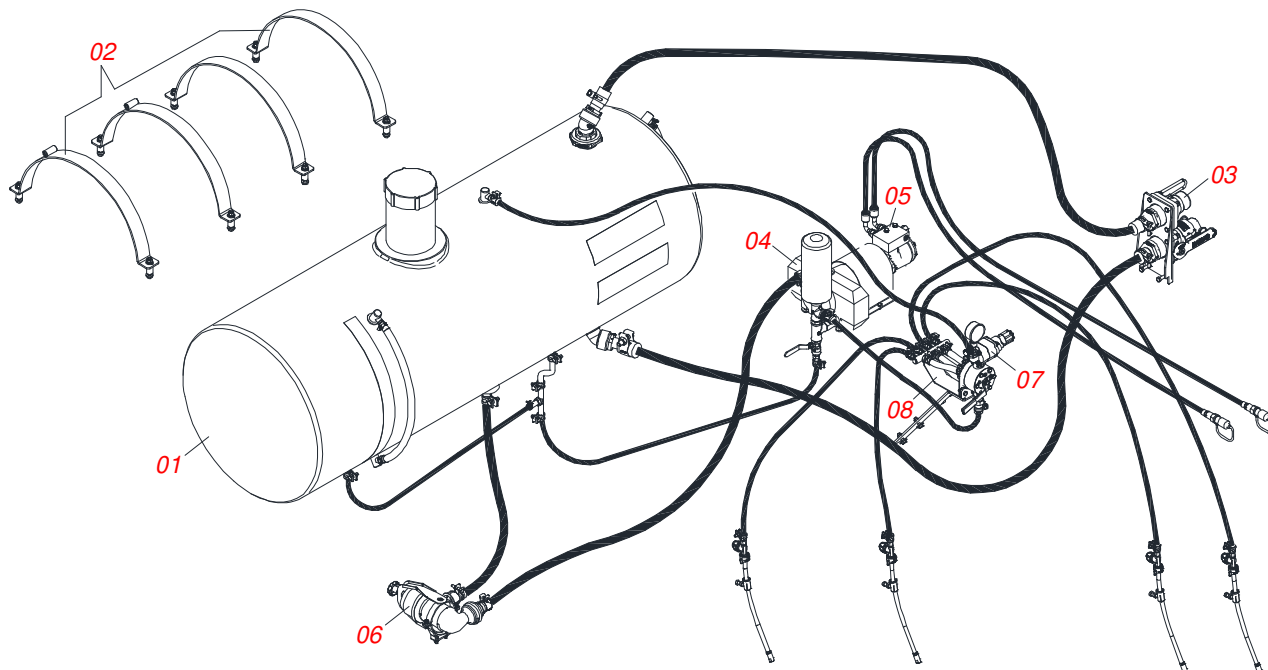




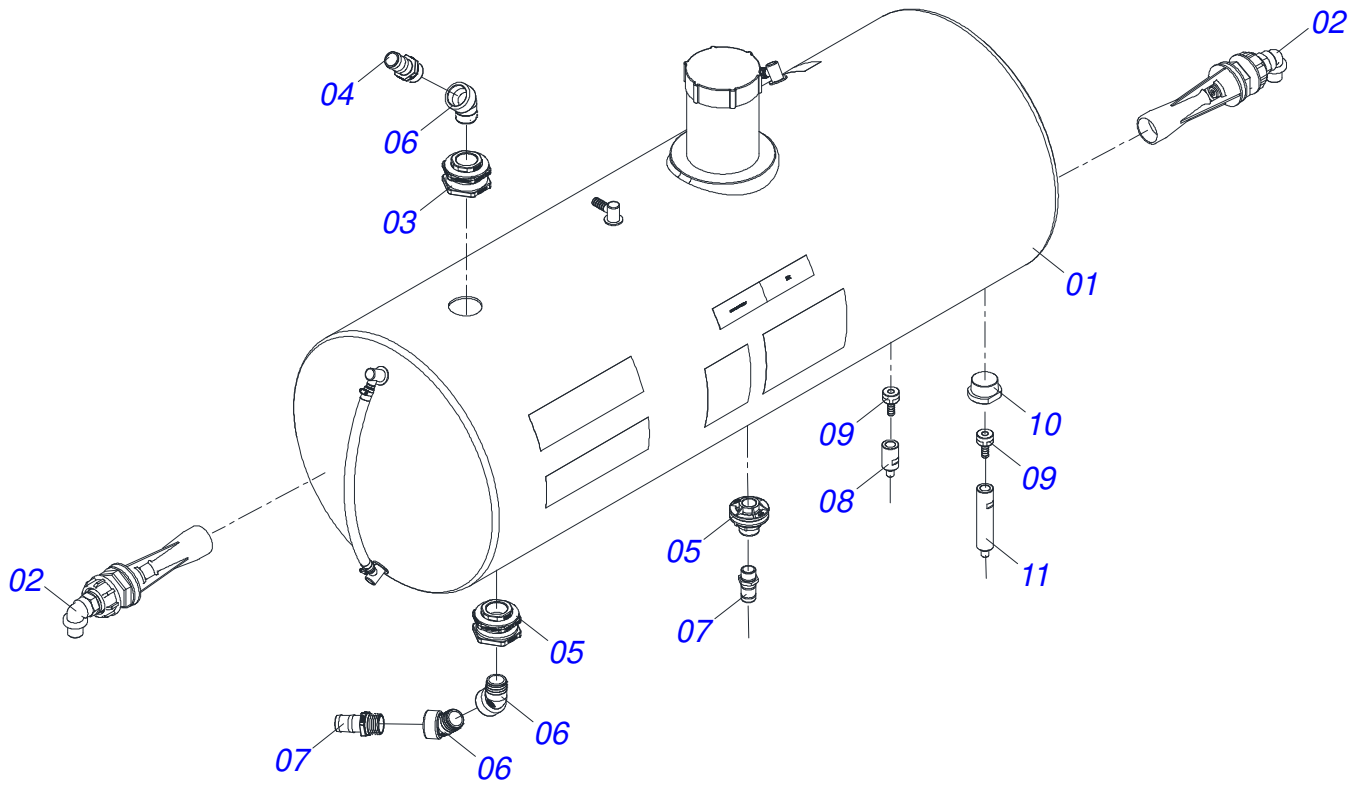
Item	Code	Description	See page	QT
01	0501010087	1.1/4" NUT		02
02	0503010060	1/2 UNC G.5 ZN HEX NUT		16
03	0503010905	1/2" X 2-1/4" BOLT		08
04	0501017779	32 X 60 X 4.75 FLAT WASHER		02
05	0603032025	PLAIN COULTER BLADE		01
06	0501057526	DISC HUB	6	01
07	0521011824	DISC BLADE SUPPORT FLANGE		01



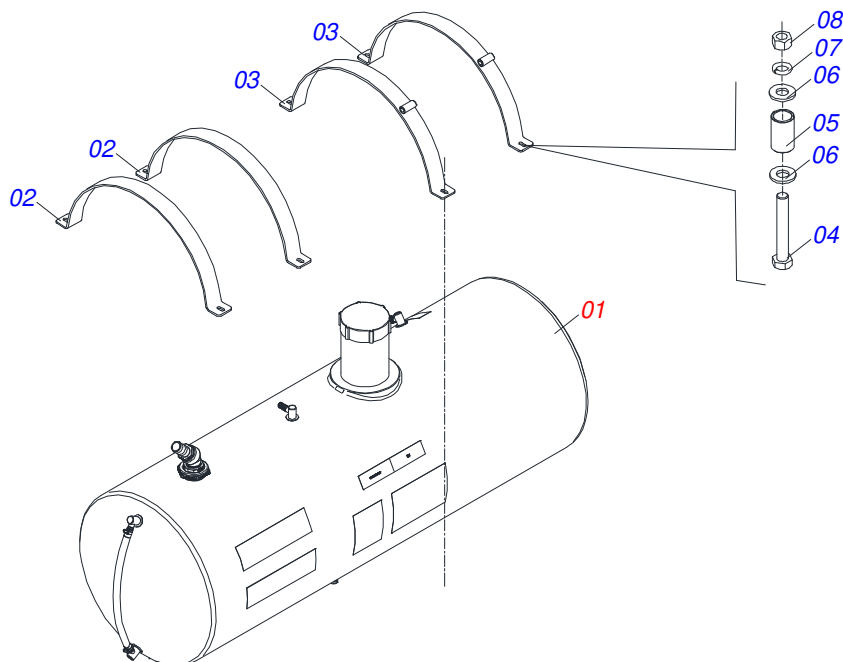
Item	Code	Description	See page	QT
01	0502011478	DISC HUB		01
02	0503011291	6209 BALL BEARING		02
03	0503012106	SEAL RETAINER 00521-BR		02
04	0521012661	DISC BLADE HUB AXLE		01
05	0502011477	BLADE DISC HOUSIG CP		02
06	0503010134	3/8" X 1" BOLT		08
07	0503010002	1800 GREASE FITTING		01
08	1882970002	GREASE SOAP		0,03Kg



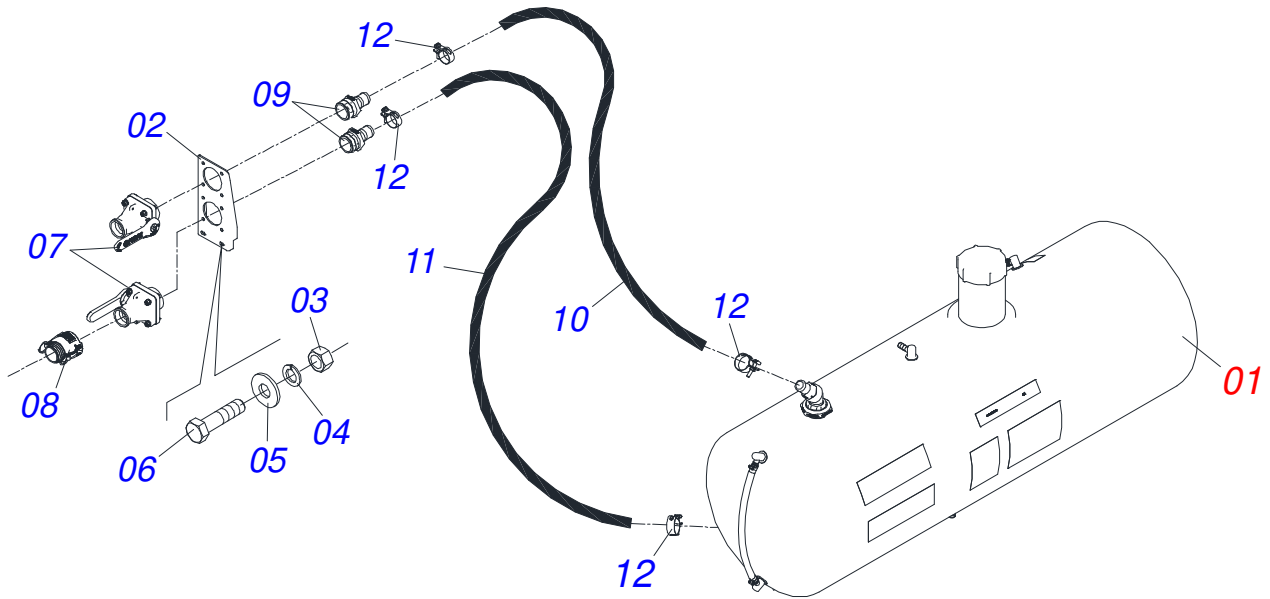
Item	Code	Description	See page	QT
01	0521051118	RESERVOIR	8	01
02	0909093839	RESERVOIR FIXING BELT ASSEMBLY	9	01
03	0909093840	HITCH SET OFFSET	10	01
04	0909093841	ASSY SET FIXER MOTOR	11	01
05	0909093842	BLOCK LIMITATION COMPLETE	12	01
06	0909093843	SUCTION FILTER	13	01
07	0909093844	COMMAND JACTO	14	01
08	0909093845	OIL TUBE ASSY	15	01



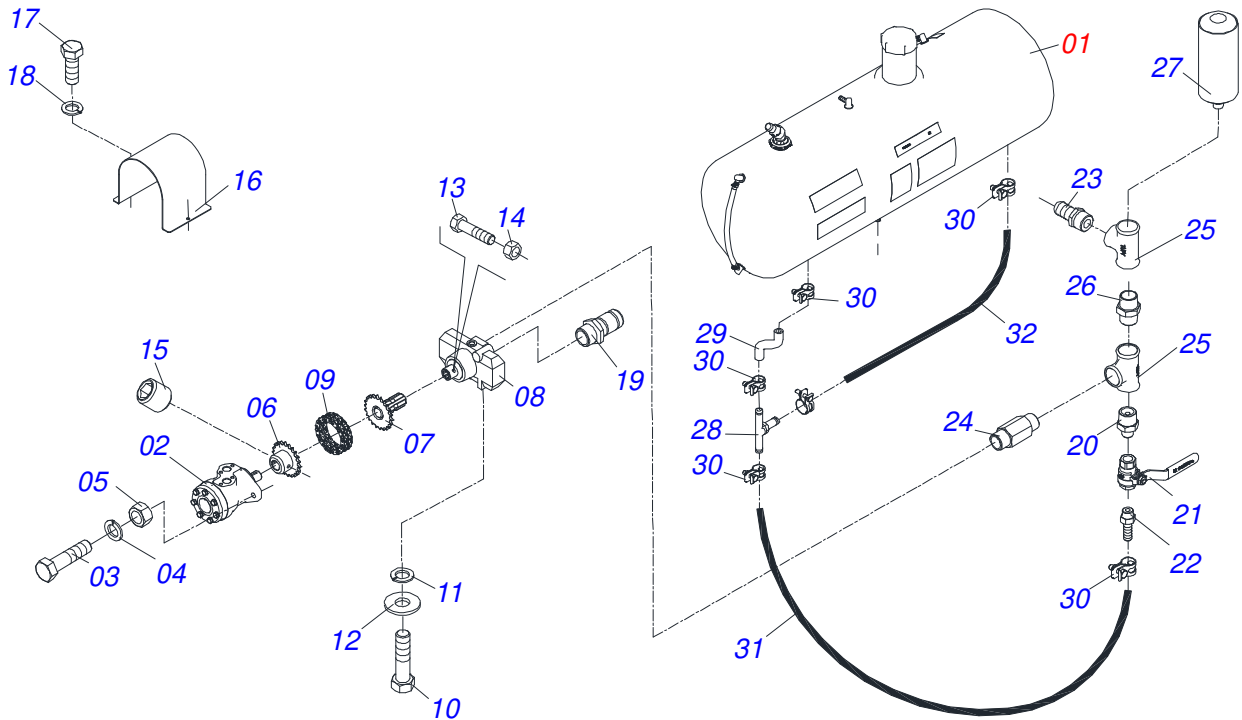
Item	Code	Description	See page	QT
001	0581014458	RESERVOIR ASSY		01
002	0503018846	MIXER		02
003	0503013967	3/4" PVC ADAPTER		01
004	0503014261	POINT		01
005	0503016179	CONNECTION		02
006	0503015352	KNEE		03
007	0503016613	POINT		02
008	0581014509	EXTENSION		01
009	0581014511	POINT		02
010	0503013976	GASKET		02
011	0581014510	EXTENSION		01



Item	Code	Description	See page	QT
01	0521051118	RESERVOIR	8	01
02	0581014451	TANK FIXER RIBBON		02
03	0521067854	TANK FIXER RIBBON		02
04	0503010847	1/2" X 3.1/4" BOLT		08
05	0581014514	0.7" X		08
06	0501010937	13,50 X 28 X 3,00 FLAT WASHER		16
07	0503010019	1/2" SPRING WASHER		08
08	0503010060	1/2 UNC G.5 ZN HEX NUT		08



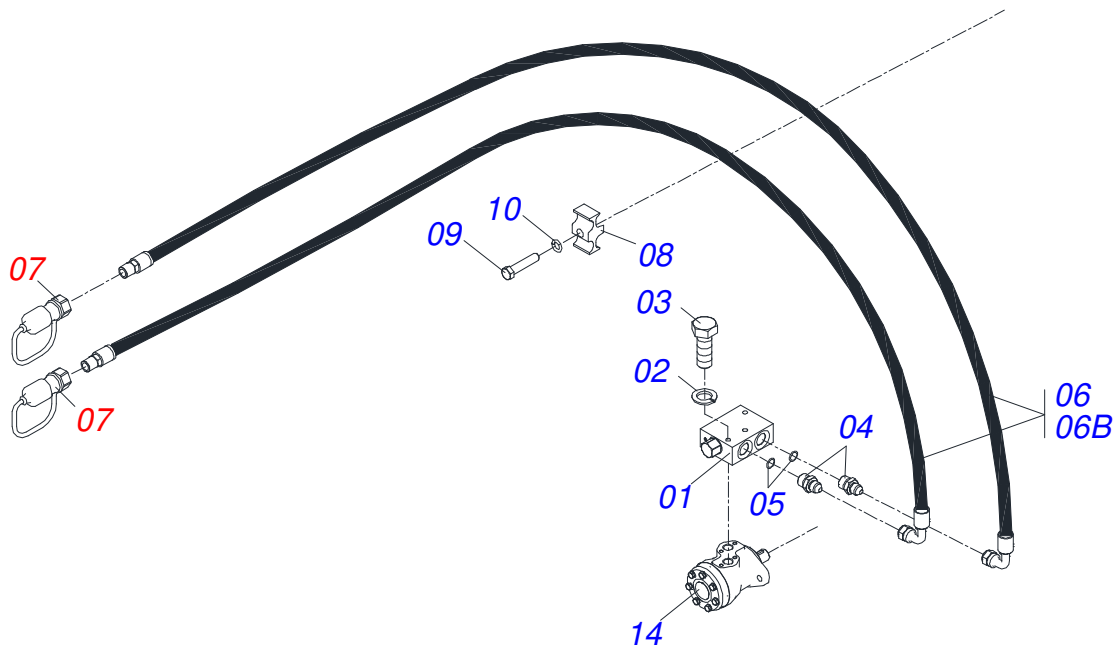
Item	Code	Description	See page	QT
01	0521051118	RESERVOIR	8	01
02	0581014473	COUPLING SUPPORT		01
03	0503010026	3/8" NUT		02
04	0503010025	3/8 SPRING WASHER		02
05	0501010984	10,50 X 27 X 3,00 FLAT WASHER		04
06	0503011179	3/8" X 2-1/4" BOLT		02
07	0503014972	VALVE		02
08	0503016180	COUPLING FEMALE		01
09	0503014975	POINT		02
10	0501082129	1.1/2 X1650 HOSE AB-AB		01
11	0501082151	1.1/2 X 900 AB-AB HOSE		01
12	0503034519	CLAMP		04



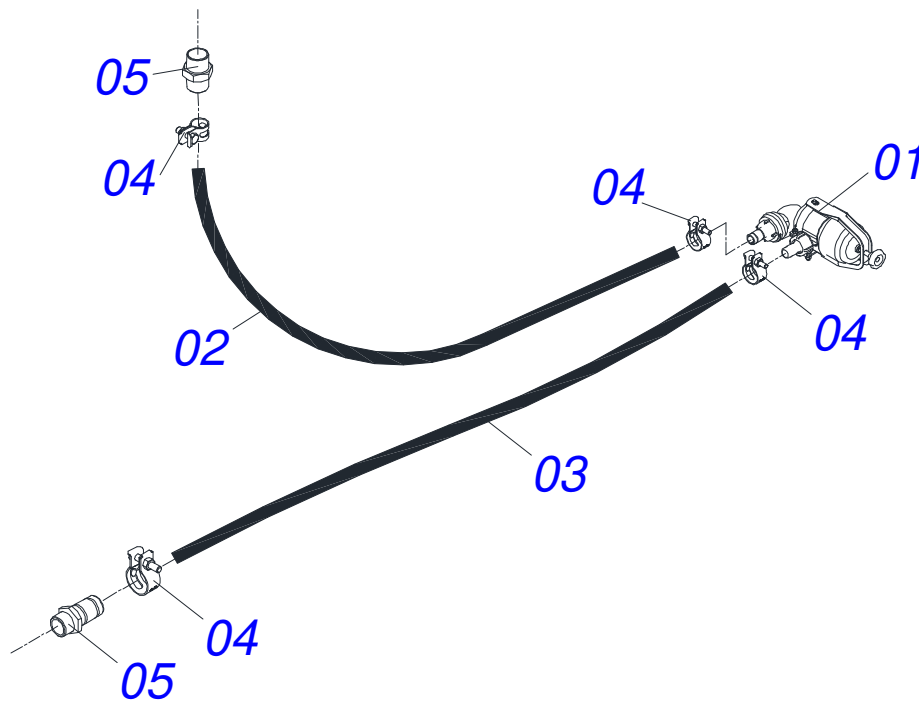
Item	Code	Description	See page	QT
01	0521051118	RESERVOIR	8	01
02	0503015422	MOTOR		01
03	0503010920	1/2 UNC X 1.1/2 C S G.5 ZN BOLT		02
04	0503010019	1/2" SPRING WASHER		02
05	0503010060	1/2 UNC G.5 ZN HEX NUT		02
06	0521060386	COUPLING MOTOR		01
07	0521067378	COUPLING		01
08	0503013907	PUMP		01
09	0503015425	CHAIN		01
10	0503010365	BOLT 5/16 UNC X 1.1/4 C S G.5 ZN		02
11	0503010179	LOCK WASHER 5/16 ZN 1K01528		02
12	0501010984	10,50 X 27 X 3,00 FLAT WASHER		02
13	0503010420	BOLT		01
14	0503014876	NUT PARLOCK 1/4"		01
15	0503016482	BOLT		01
16	0551018434	PROTECTION		01
17	0503010011	5/16" X 1/2" BOLT		02
18	0503010179	LOCK WASHER 5/16 ZN 1K01528		02
19	0503014261	POINT		01
20	0581014507	NIPPLE R3/4 NPT X		01
21	0503016164	COCK MALE / FEMALE		01
22	0581014508	NIPPLE 3/8		01
23	0503014257	POINT		01
24	0581014459	NIPPLE R3/4 NPT X		01
25	0503017453	TE		02
26	0503016823	NIPPLE		01
27	0503014740	CAMPING COMPENSATOR JACTO		01
28	0503018849	CONNECTOR		01
29	0501082155	1/2" X 160 AB-AB HOSE		01
30	0503034516	CLAMP		06
31	0571014743	HOSE		01

<b>Item</b>	<b>Code</b>	<b>Description</b>	<b>See page</b>	<b>QT</b>
32	0571013298	1/2" X 1600 AB-AB HOSE		01

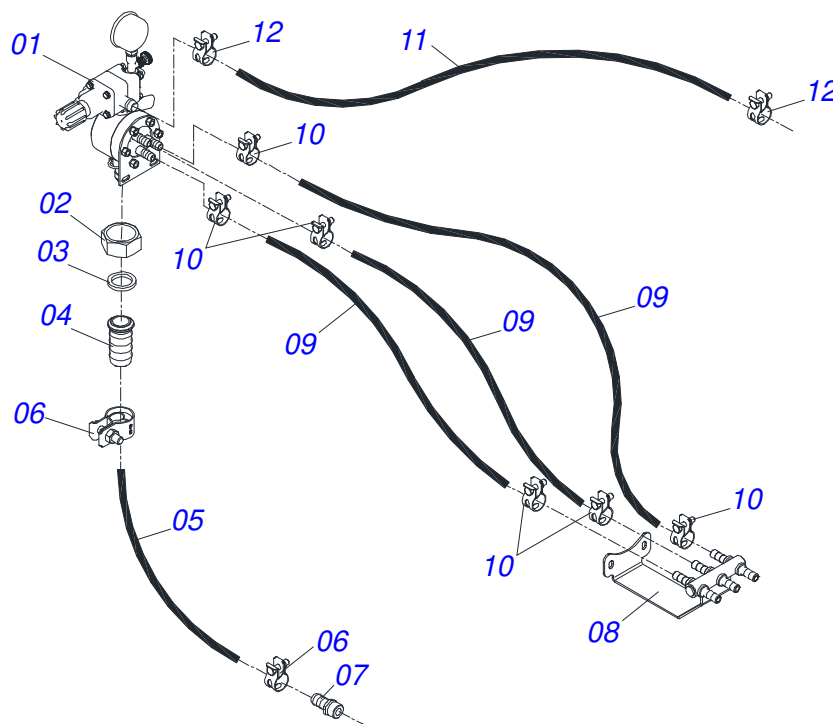




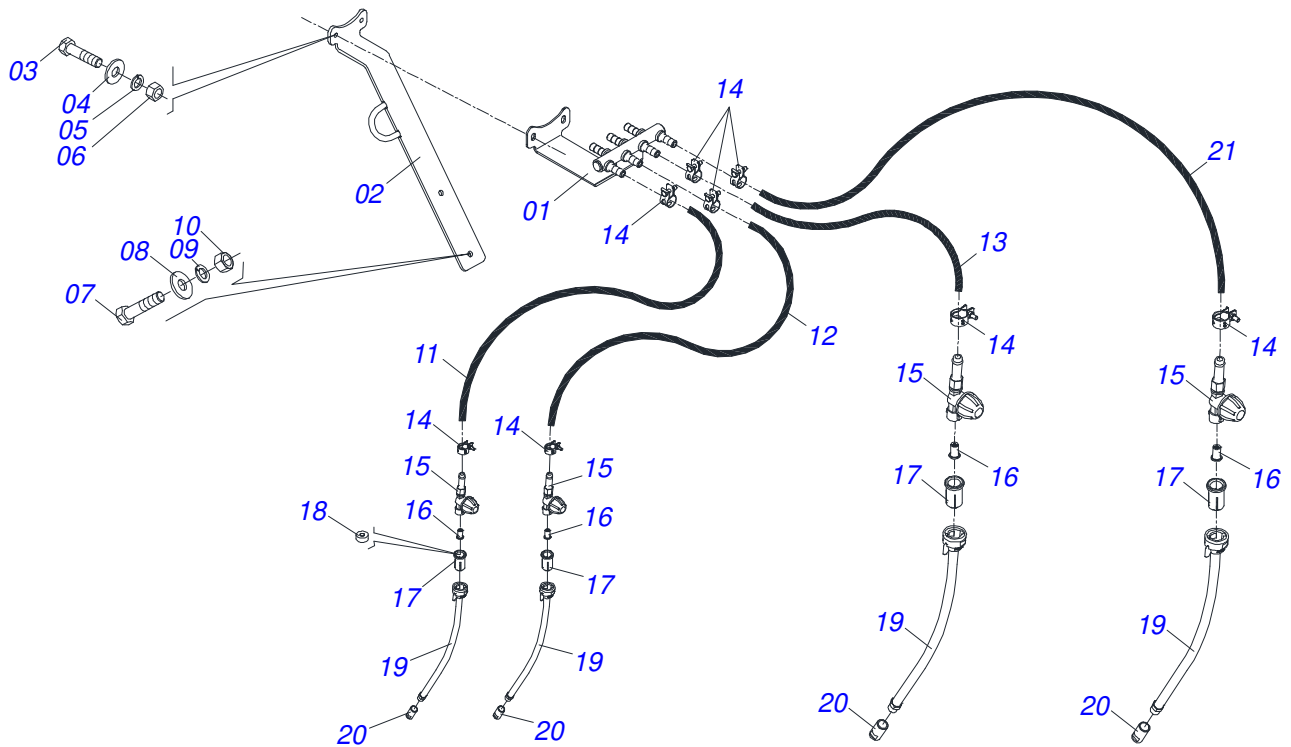
Item	Code	Description	See page	QT
01	0503015151	BLOCK		01
02	0503014371	M8 SPRING WASHER		03
03	0503015149	M8 X 1,25 X 50 BOLT		03
04	0511010111	7/8" NIPPLE		02
05	0503010045	O'RING		02
06	0521051223	HOSE ASSY		01
06A	0503033158	PLASTIC BAG		01
06B	0501082023	HOSE 3/8 X 3600 TC-TM		02
07	0501053834	MALE QUICK COUPLER	19	02
08	0502012702	BODY SUPPORT CLAMP		04
09	0503011173	7/16" X 2" BOLT		04
10	0503010180	7/16" SPRING WASHER		04
14	0503015422	MOTOR		01



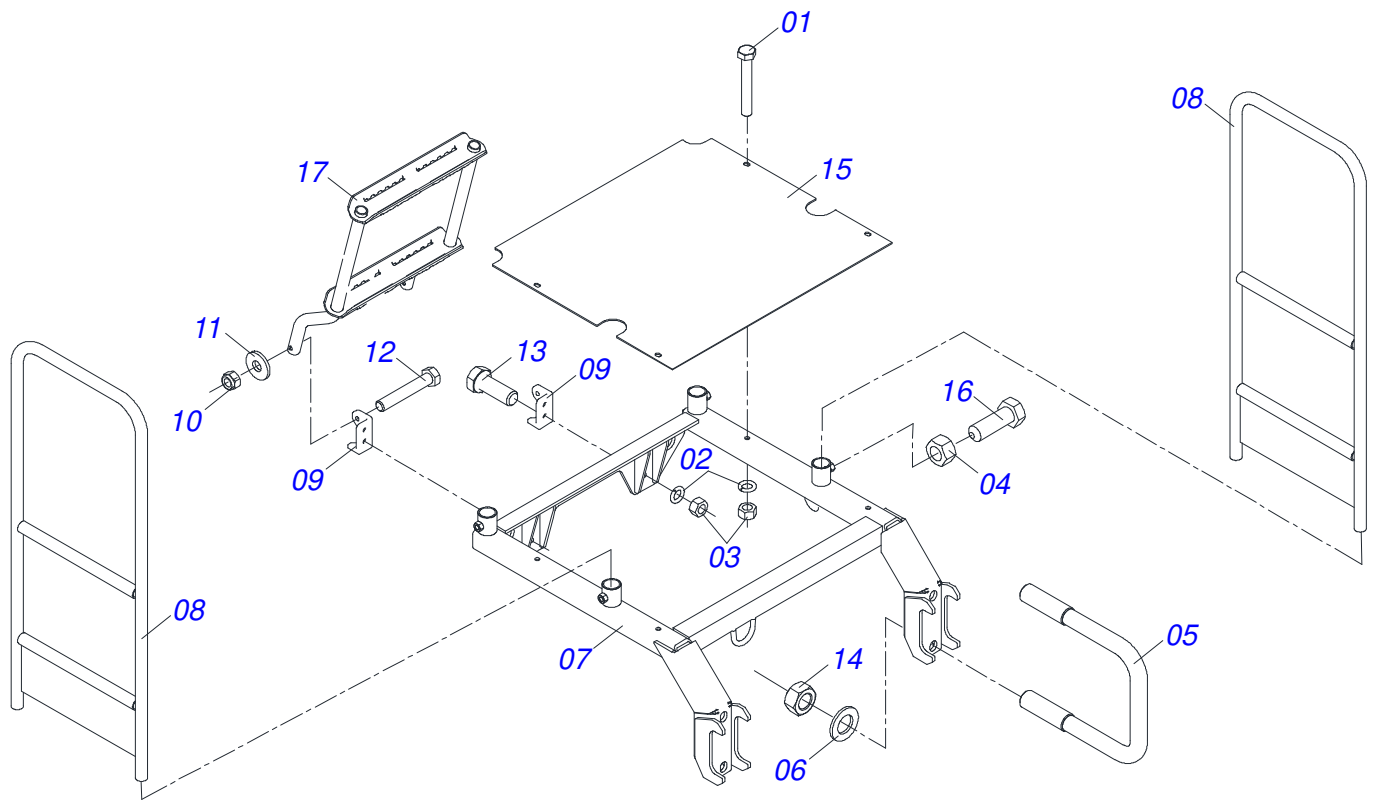
Item	Code	Description	See page	QT
01	0503062644	AIR CLEANER		01
02	0571014742	1 X 800 AB-AB FLEX HOSE SPIRAL		01
03	0571013303	1 X 1700 AB-AB FLEX HOSE SPIRAL		01
04	0503034518	CLAMP		04
05	0503014261	POINT		02



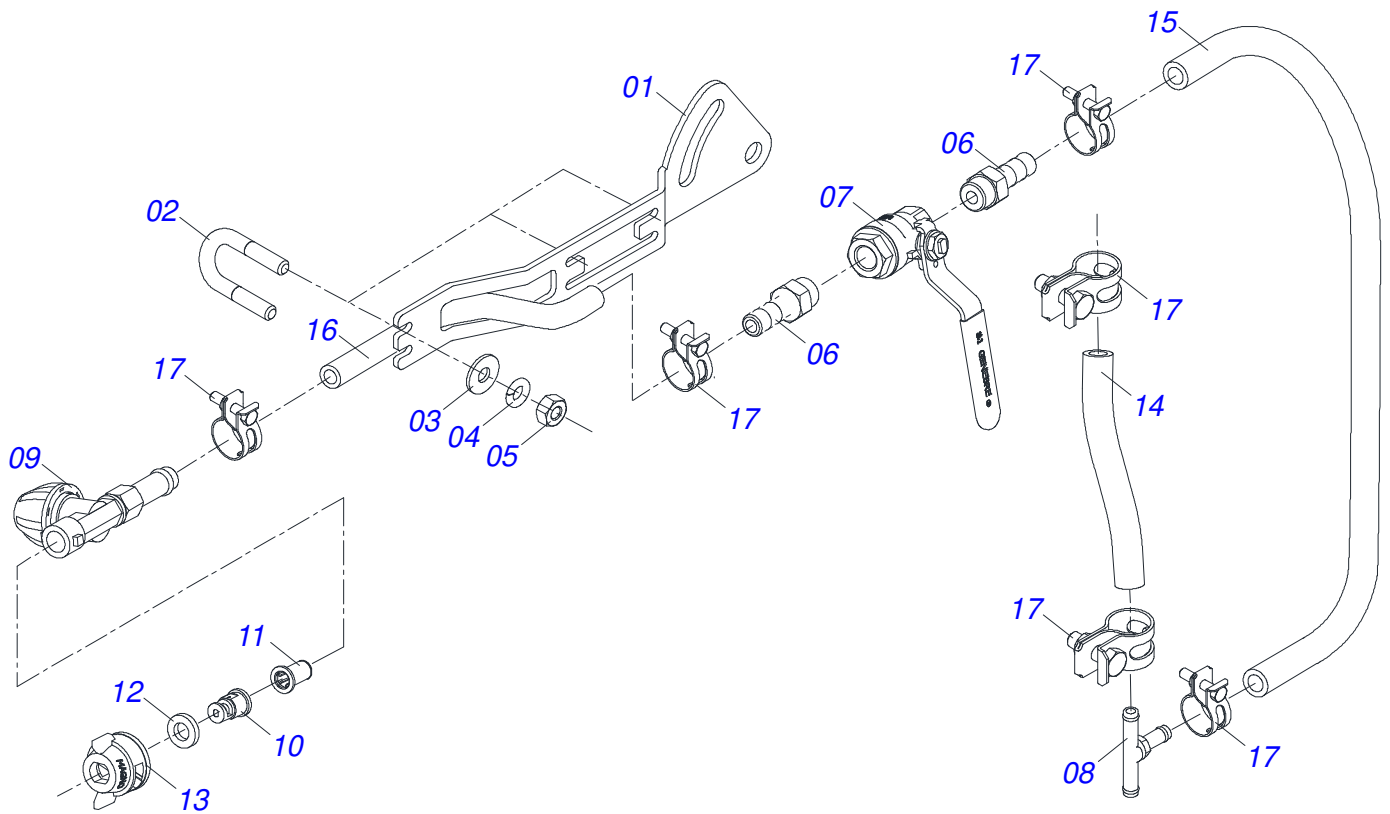
Item	Code	Description	See page	QT
01	0503013908	COMMAND JACTO		01
02	0503013974	NUT		01
03	0503013976	GASKET		01
04	0571010261	HOSE COUPLING		01
05	0581012944	HOSE 3/4		01
06	0503034517	CLAMP		02
07	0503014257	POINT		01
08	0521067852	DISTRIBUTOR		01
09	0501082155	1/2" X 160 AB-AB HOSE		03
10	0503034516	CLAMP		06
11	0501082131	3/4" X 1300 AB-AB HOSE		01
12	0503034517	CLAMP		02



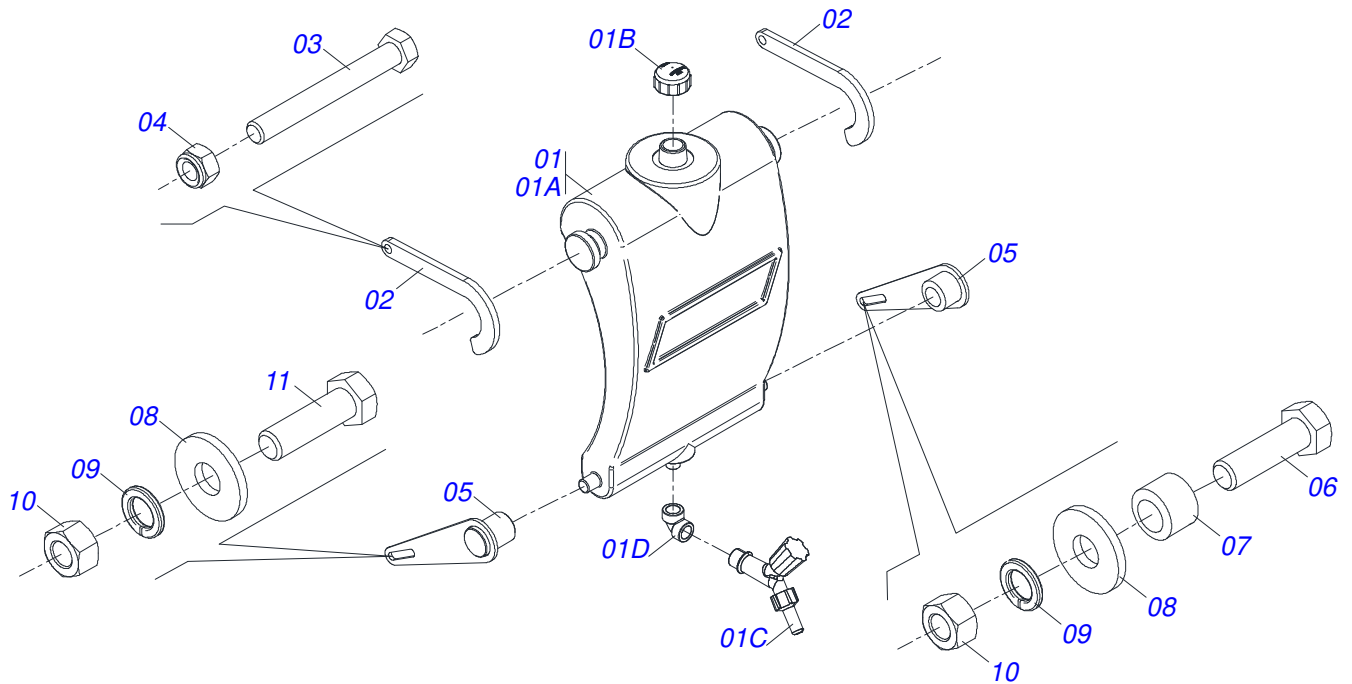
Item	Code	Description	See page	QT
01	0521067851	DISTRIBUTOR		01
02	0521067853	SUPPORT CONTROL VALVE		01
03	0503010371	5/16" X 1" BOLT		02
04	0501010694	FLAT WASHER		02
05	0503010179	LOCK WASHER 5/16 ZN 1K01528		02
06	0503010337	5/16" NUT		02
07	0503010751	C3/8" X 1.1/4" HEX BOLT G.5		02
08	0501010984	10,50 X 27 X 3,00 FLAT WASHER		02
09	0503010025	3/8 SPRING WASHER		02
10	0503010026	3/8" NUT		02
11	0501082130	1/2" X 2950 TR-TR HOSE		01
12	0571013299	1/2" X 2100 AB-AB HOSE		01
13	0571013299	1/2" X 2100 AB-AB HOSE		01
14	0503034516	CLAMP		08
15	0503064458	SUPPORT		03
16	0581014518	SLEVE FIXATION		03
17	0503018853	FILTERING ELEMENT		03
18	0503013171	SEALING		01
19	0503062665	PENDANT 380		03
20	0581014549	BICO FILETE 1,5		03
21	0501082130	1/2" X 2950 TR-TR HOSE		01



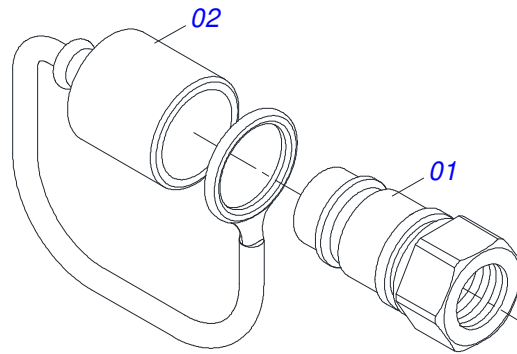
Item	Code	Description	See page	QT
001	0503011268	3/8" X 2-1/2" BOLT	04	
002	0503010025	3/8 SPRING WASHER	08	
003	0503010026	3/8" NUT	08	
004	0503010060	1/2 UNC G.5 ZN HEX NUT	04	
005	0581014522	FASTENER ASSY	02	
006	0501010322	FLAT WASHER	04	
007	0521067866	PLATFORM	01	
008	0521067867	HANDRAIL	02	
009	0502012742	FIXER SUPPORT LADDER	02	
010	0503013357	3/8 SELF-ADJUSTING NUT	02	
011	0501010984	10,50 X 27 X 3,00 FLAT WASHER	02	
012	0503011179	3/8" X 2-1/4" BOLT	02	
013	0503010237	3/8" X 1" BOLT	04	
014	0503011255	3/4" LOCK NUT	04	
015	0581014474	FLOOR	01	
016	0503030678	BOLT 1/2 UNC X 1.1/2 CSPC G.5 ZN	04	
017	0511069636	LADDER	01	



Item	Code	Description	See page	QT
001	0581014469	SUPPORT		01
002	0581014523	1/4" STAPLE		03
003	0503010305	FLAT WASHER		06
004	0503010143	1/4" SPRING WASHER		06
005	0503010144	1/4" NUT		06
006	0581014508	NIPPLE 3/8		02
007	0503016164	COCK MALE / FEMALE		01
008	0503018849	CONNECTOR		01
009	0503064458	SUPPORT		01
010	0503018854	POINT SUPPORT		01
011	0503018853	FILTERING ELEMENT		01
012	0503018852	JOINT RUBBER		01
013	0503018851	COVER AELH		01
014	0501082156	1/2" X 90 TR-TR HOSE		01
015	0551016600	1/2 X 410 AB-AB HOSE		01
016	0501082155	1/2" X 160 AB-AB HOSE		01
017	0503034516	CLAMP		06



Item	Code	Description	See page	QT
001	0521051120	TANK		01
001A	0581014461	TANK		01
001B	0581013716	COVER ASSY		01
001C	0503018694	WATER TAP		01
001D	0503013969	3/4 ELBOW THREAD		01
002	0581014481	UPER FIXING		02
003	0503010765	3/8" X 3" BOLT		02
004	0503013357	3/8 SELF-ADJUSTING NUT		02
005	0521067864	ROW LOWER SUPPORT		02
006	0501010096	3/8" X 2" BOLT		01
007	0581014457	SLEEVE		01
008	0501010984	10,50 X 27 X 3,00 FLAT WASHER		02
009	0503010025	3/8 SPRING WASHER		02
010	0503010026	3/8" NUT		02
011	0503010751	C3/8" X 1.1/4" HEX BOLT G.5		01



Item	Code	Description	See page	QT
01	0503011627	MALE QUICK COUPLER AGR 1/2 NPT		01
02	0503011882	MALE QUICK COUPLER CAP		01







# ***civemasa***

**Technical Publications | Elaboration and Revision**

LUIZ CANDIDO

[www.civemasa.com.br](http://www.civemasa.com.br)

