

**REAR SCRAPER PULL TYPE**

**LTM 5000 VEH**

**Code:** 0501092046

**Series:** S-0917

**Revision:** 00

**Revision Date:** JUNHO/2022

# PARTS CATALOGUE


***CIVEMASA***

# PRODUCTS

<b>Code</b>	<b>Description</b>	
0121300008	LTM 5000 C/PN 12.4-24 8F VEH	S-0917

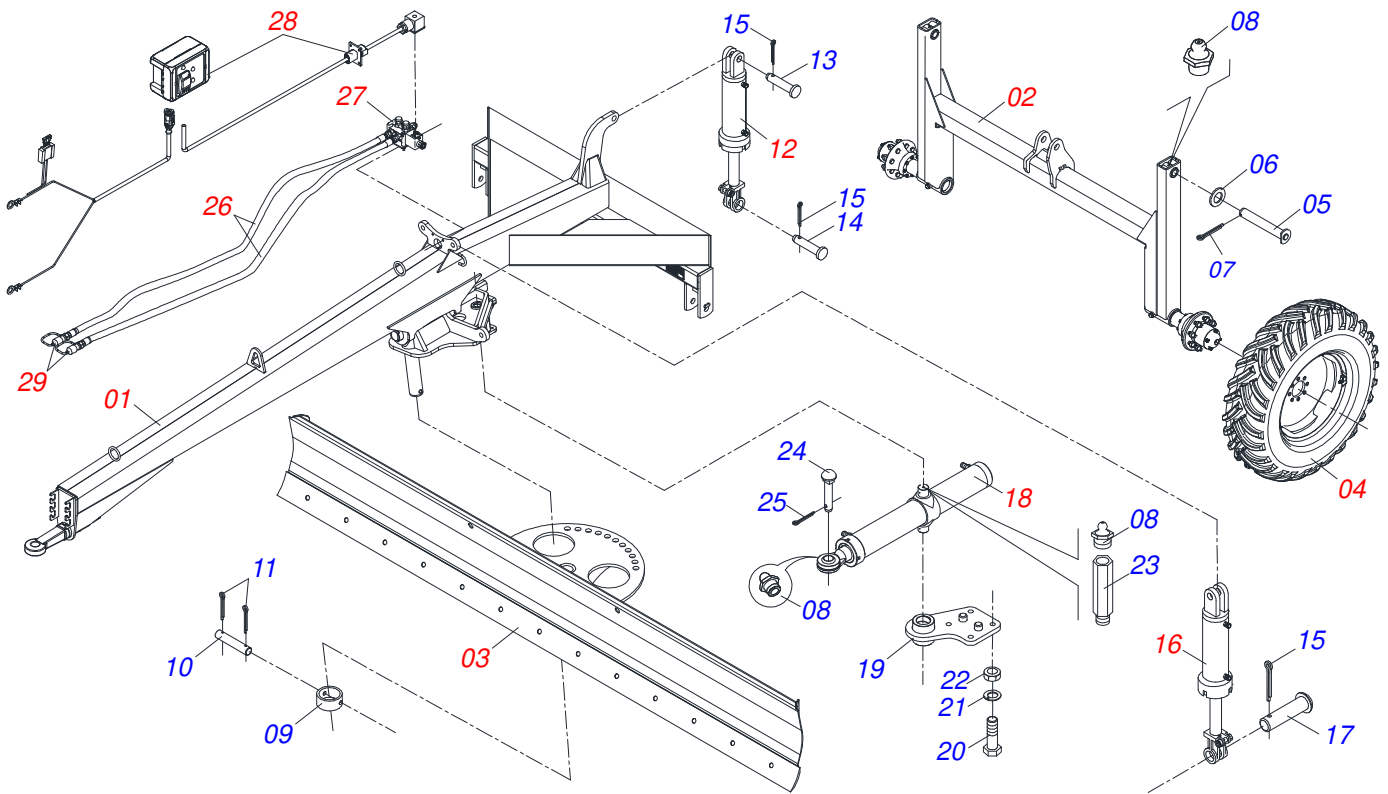
## **ATTENTION: IMPORTANT**

CIVEMASA reserves the right to improve and/or modify the technical features of its products, without obligation to do the same with those products already sold and without prior knowledge of the dealer or the consumer. The photos are only illustrative.

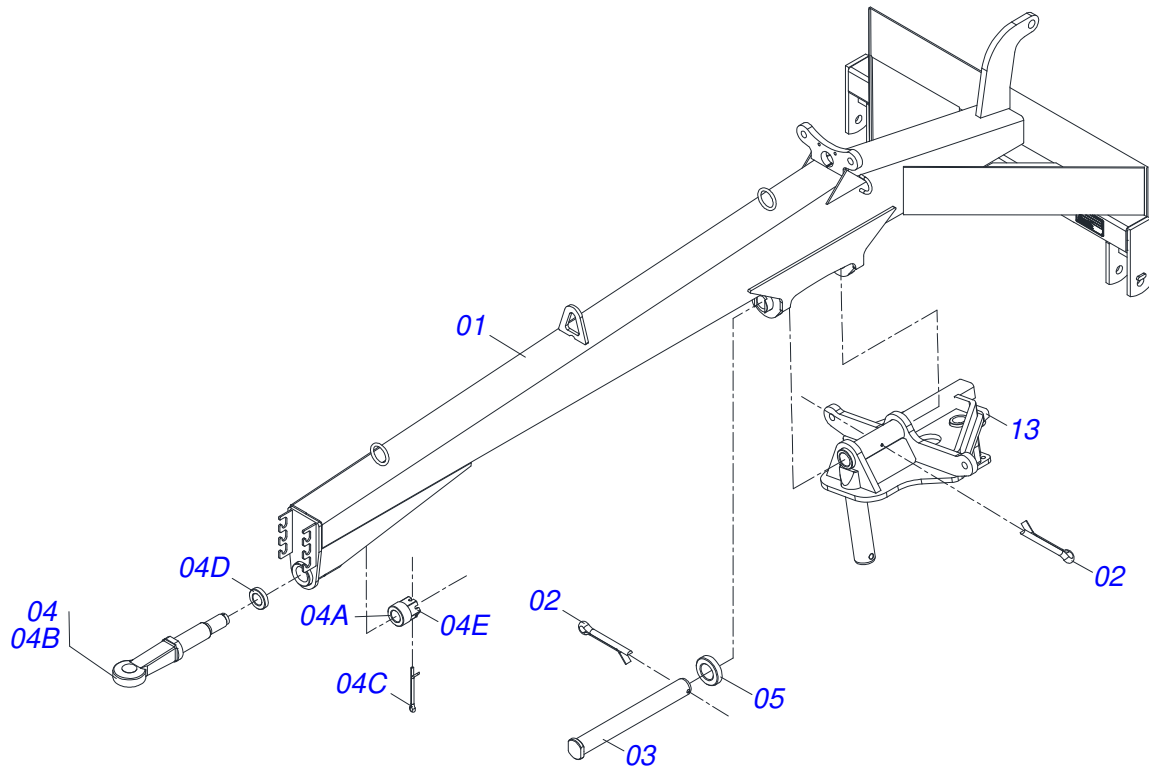


# INDEX

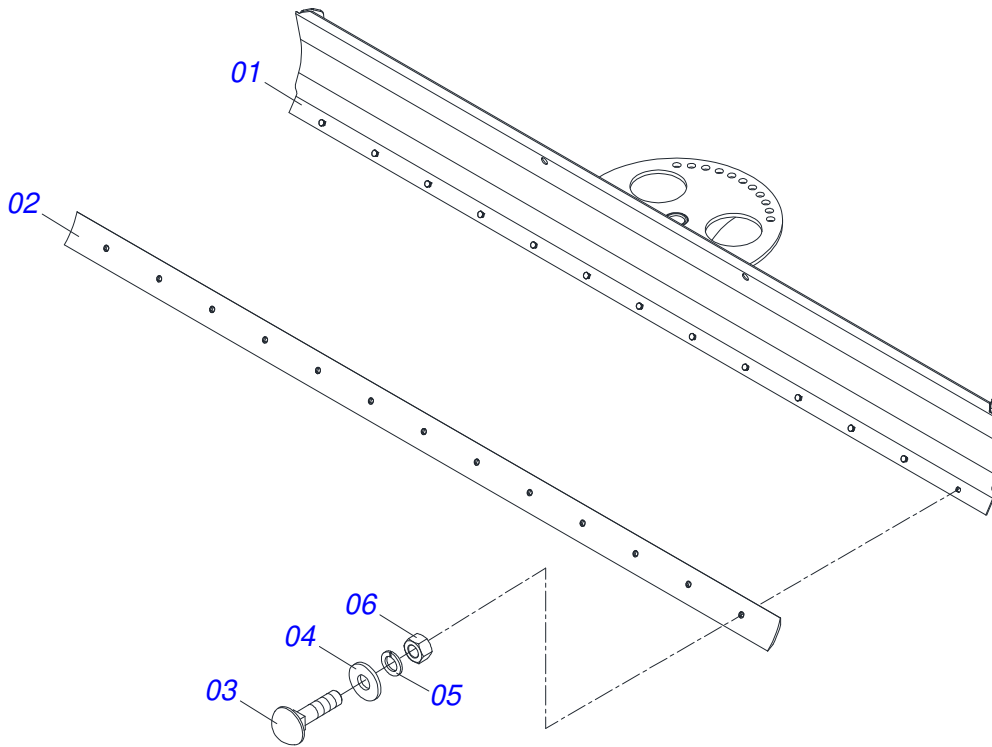
0909093625	FRAME	.....	1
0521043304	ASSY FRAME	.....	2
0521040857	DOZER BLADE ASSY	.....	3
0511049212	WHEEL	.....	4
0511050649	WHEEL	.....	5
0511059222	WHEEL WITH TIRE RIGHT SIDE	.....	6
0511058426	HYDRAULIC CYLINDER 44,45 X 85,70 X 628 X 330	.....	7
0511058413	HYDRAULIC CYLINDER	.....	8
0521041913	HYDRAULIC CYLINDER 63,5 X 101,6 X 572 X 658	.....	9
0521023767	HYDRAULIC CIRCUIT	.....	10
0909091588	HYDRAULIC CIRCUIT	.....	11
0909091589	HYDRAULIC CIRCUIT WITH VALVE	.....	12
0501053834	MALE QUICK COUPLER	.....	13



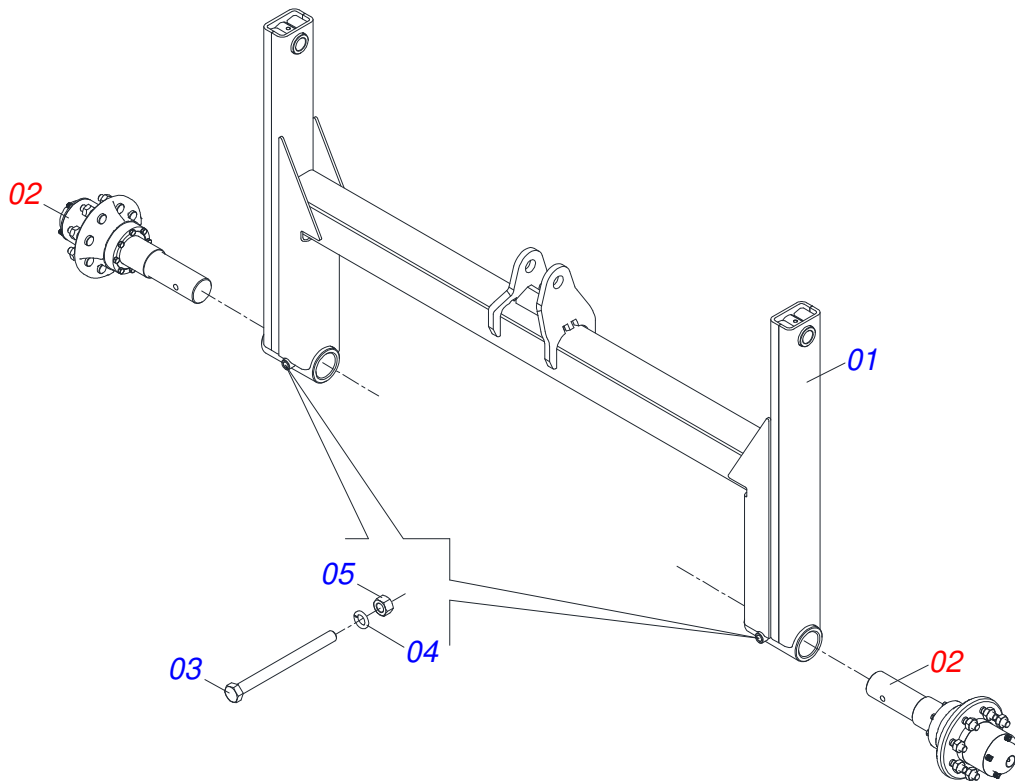
Item	Code	Description	See page	QT
01	0521043304	ASSY FRAME	2	01
02	0511049212	WHEEL	4	01
03	0521040857	DOZER BLADE ASSY	3	01
04	0511059222	WHEEL WITH TIRE RIGHT SIDE	6	02
05	0561012693	SHAFT JOINT 31.20 X 163		02
06	0501010307	FLAT WASHER		02
07	0503010534	3/8 X 2-1/2 COTTERPIN		02
08	0503010002	1800 GREASE FITTING		08
09	0561012651	SLEEVE 74.50 X 101.60 X 40		01
10	0511013598	3/4" X 4.7" COUPLING SHAFT		01
11	0503010071	3/16" X 1" COTTERPIN		02
12	0511058426	HYDRAULIC CYLINDER 44,45 X 85,70 X 628 X 330	7	01
13	0521012538	1.2" X 3.5" COUPLING SHAFT		01
14	0521810545	1.2" X 5.3" COUPLING SHAFT		01
15	0503010523	1/4" X 2" COTTERPIN		06
16	0511058413	HYDRAULIC CYLINDER	8	02
17	0521010575	C0.9" X 3.3" COUPLING SHAFT		04
18	0521041913	HYDRAULIC CYLINDER 63,5 X 101,6 X 572 X 658	9	01
19	0521063160	FIXER		01
20	0503010899	5/8" X 2-1/4" BOLT		04
21	0503010027	5/8" SPRING WASHER		04
22	0503010013	5/8" NUT		04
23	0501019757	EXTENSION GREASE FITTING		02
24	0511019520	1.5" X 1.4" PIVOT SHAFT		01
25	0503010534	3/8 X 2-1/2 COTTERPIN		01
26	0521051566	HOSE ASSY		01
27	0521051555	SOLENOID VALVE ASSY		01
28	0521051827	KIT ELECTRICAL		01
29	0501053834	MALE QUICK COUPLER	13	04



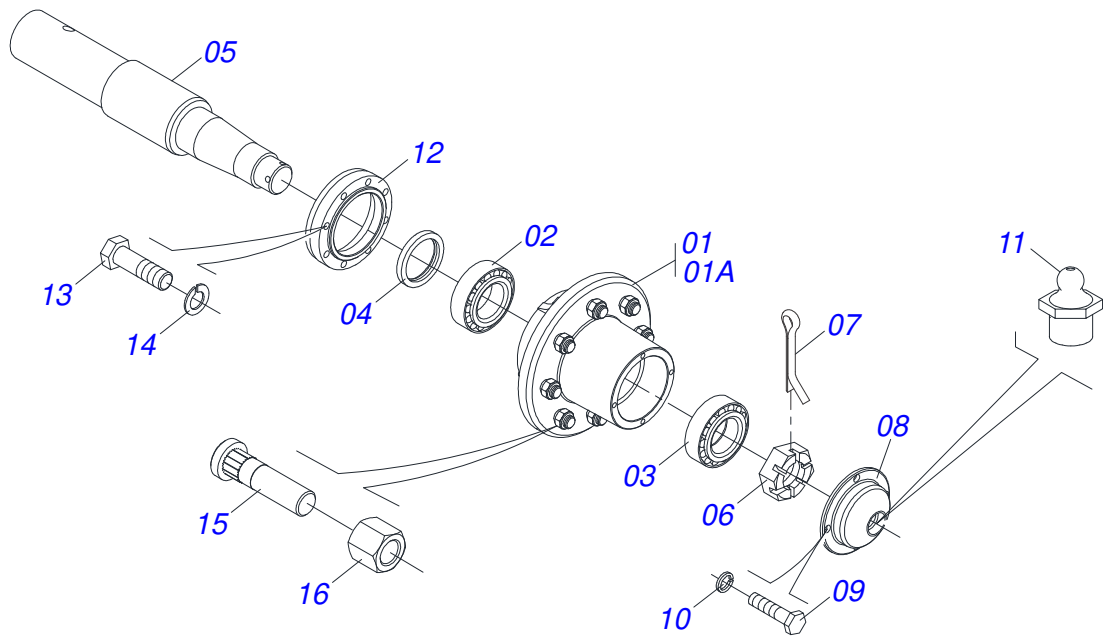
Item	Code	Description	See page	QT
001	0521064420	FRAME	01	
002	0503010071	3/16" X 1" COTTERPIN	02	
003	0561012652	BLADE SHAFT ARTICULATOR	01	
004	0503061649	PONTEIRA HITCH SILPA	01	
004A	0503017597	BUSH	01	
004B	0503017598	POINT	01	
004C	0503017599	COTTERPIN	01	
004D	0503017600	FLAT WASHER	01	
004E	0503017601	CASTLE NUT	01	
005	0511019776	FLAT WASHER	01	
006	0503034004	ALUMINUM IDENTIFICATION LABEL	01	
007	0503010001	3.2 X 5.5 RIVET	04	
008	0503031428	READ MANUAL DECAL	01	
009	0503031827	LUBRICATE AND RETIGHTEN DAILY DECAL	01	
010	0503034165	BADGE	01	
011	0503034166	BADGE	04	
012	1882970002	GREASE SOAP	00	
013	0521060613	FIXER SUPPORT BLADE	01	



Item	Code	Description	See page	QT
01	0521063168	BLADE		01
02	0561017949	REVERSIBLE SCRAPER 4200		01
03	0501012239	5/8" X 1.3/4" BOLT		13
04	0571010265	16.5 X 40 X 3 FLAT WASHER		13
05	0503010013	5/8" NUT		13
06	0503011445	SPRING WASHER		13

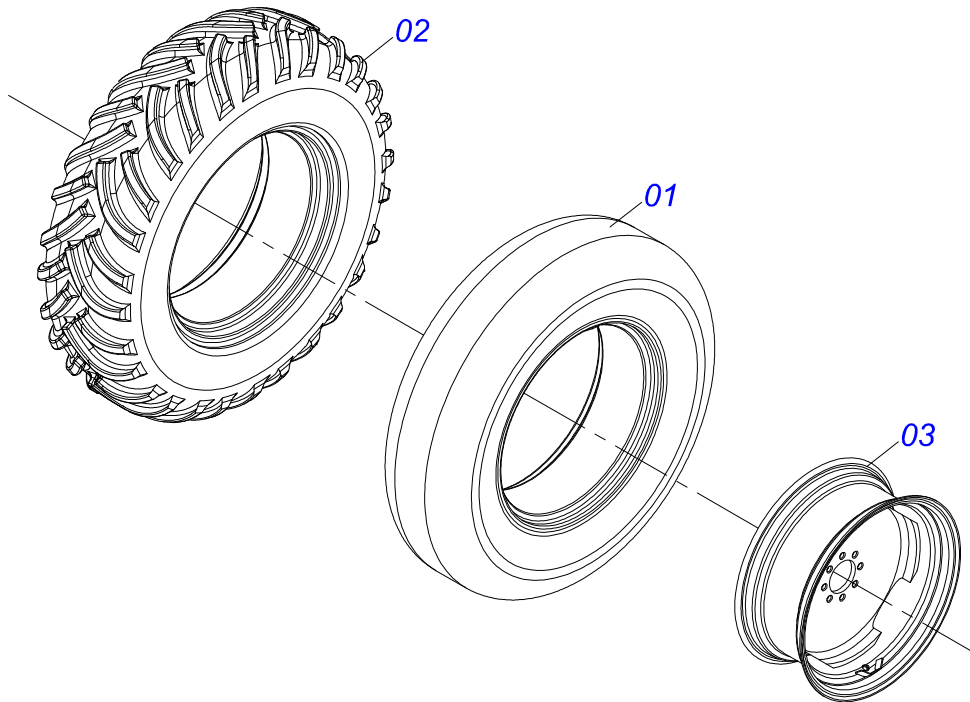


Item	Code	Description	See page	QT
01	0521062071	RODE		01
02	0511050649	WHEEL	5	02
03	0503016023	1/2 X 6 BOLT		02
04	0503010019	1/2" SPRING WASHER		02
05	0503010060	1/2" NUT		02

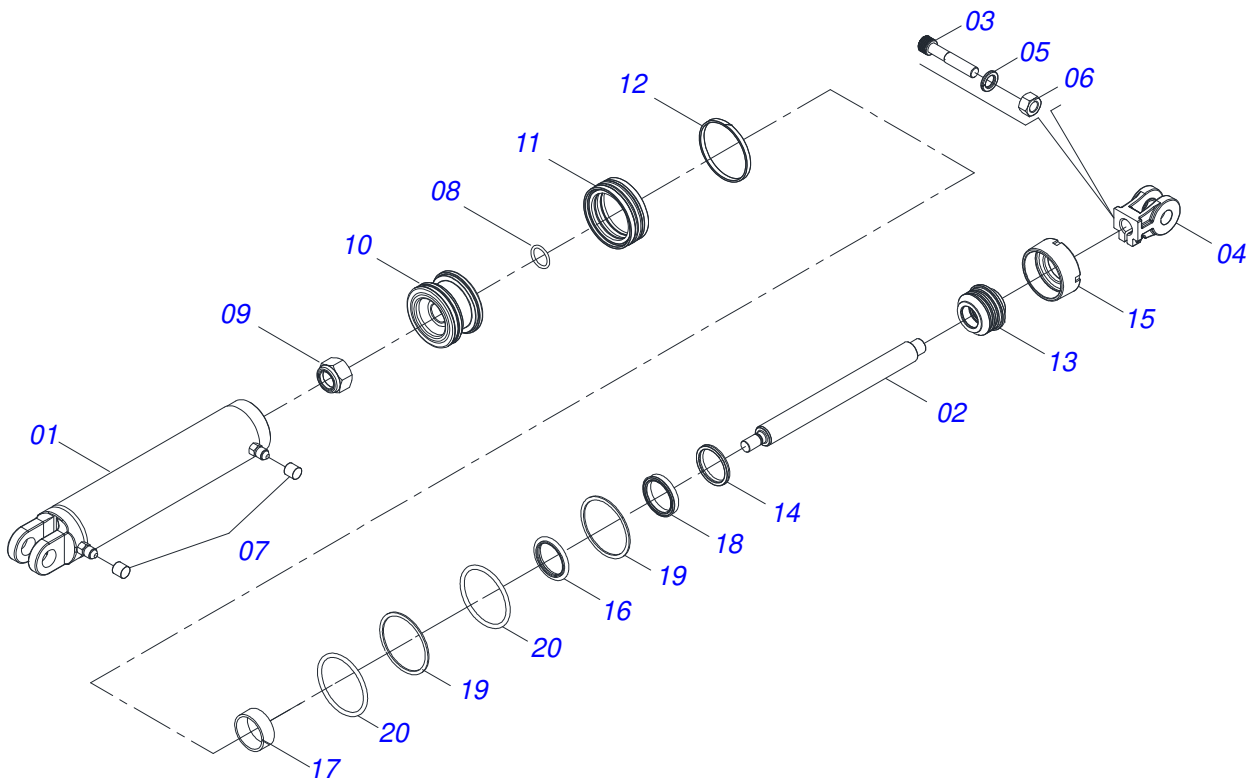


Item	Code	Description	See page	QT
01	0502012318	CARRYING WHEEL HUB		01
01A	1902010322	WHEEL HUB		01
01B	1599630001	STEEL SCRAP		02
02	0503013453	SKF 33011 ROLLER BEARING		01
03	0503013454	SKF 33109 ROLLER BEARING		01
04	0503010086	SEAL 0009B-B		01
05	0561017950	AXLE PULLEY		01
06	0501010630	1.1/2" CASTLE NUT		01
07	0503010523	1/4" X 2" COTTERPIN		01
08	0502020592	COVER		01
09	0503010295	SCREW 5/16 UNC X 5/8 CS G.2 ZN		04
10	0503011444	SPRING WASHER		04
11	0503010002	1800 GREASE FITTING		01
12	0502012175	SEAL FLANGE		01
13	0503010397	5/16" X 1-3/4" BOLT		08
14	0503011444	SPRING WASHER		08
15	0503012655	5/8" X 2-3/8" WHEEL BOLT		08
16	0503010064	5/8 UNF CONIC NUT		08

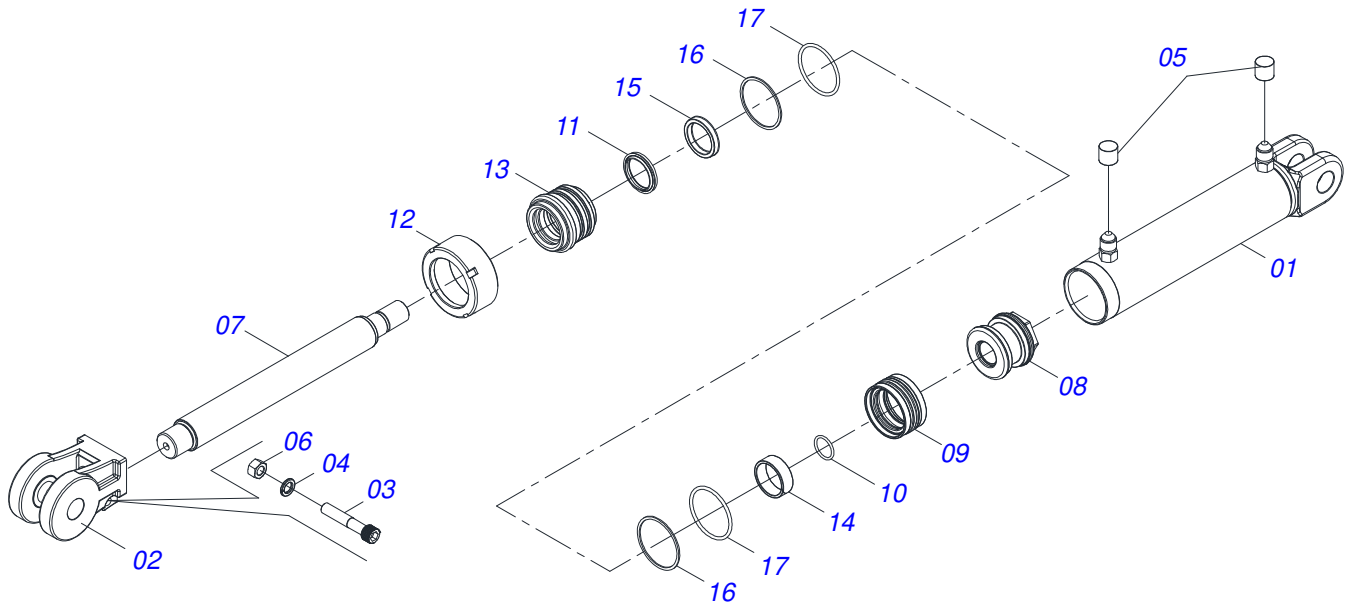




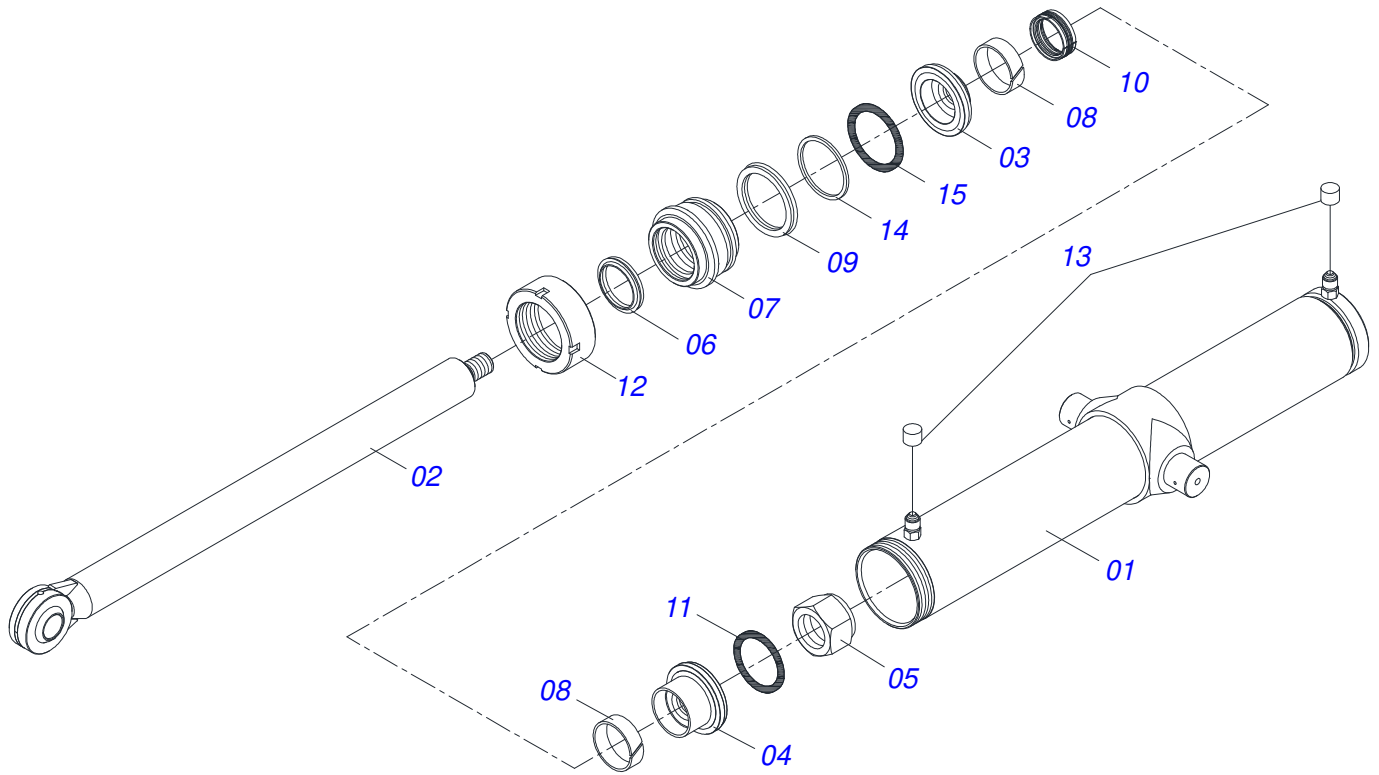
Item	Code	Description	See page	QT
01	0503013040	0.5" X 1" VALVE STEM		01
02	0503013039	0.5" X 1" -10 CANVAS TIRE		01
03	0511063924	DCCO 10500 WHEEL		01



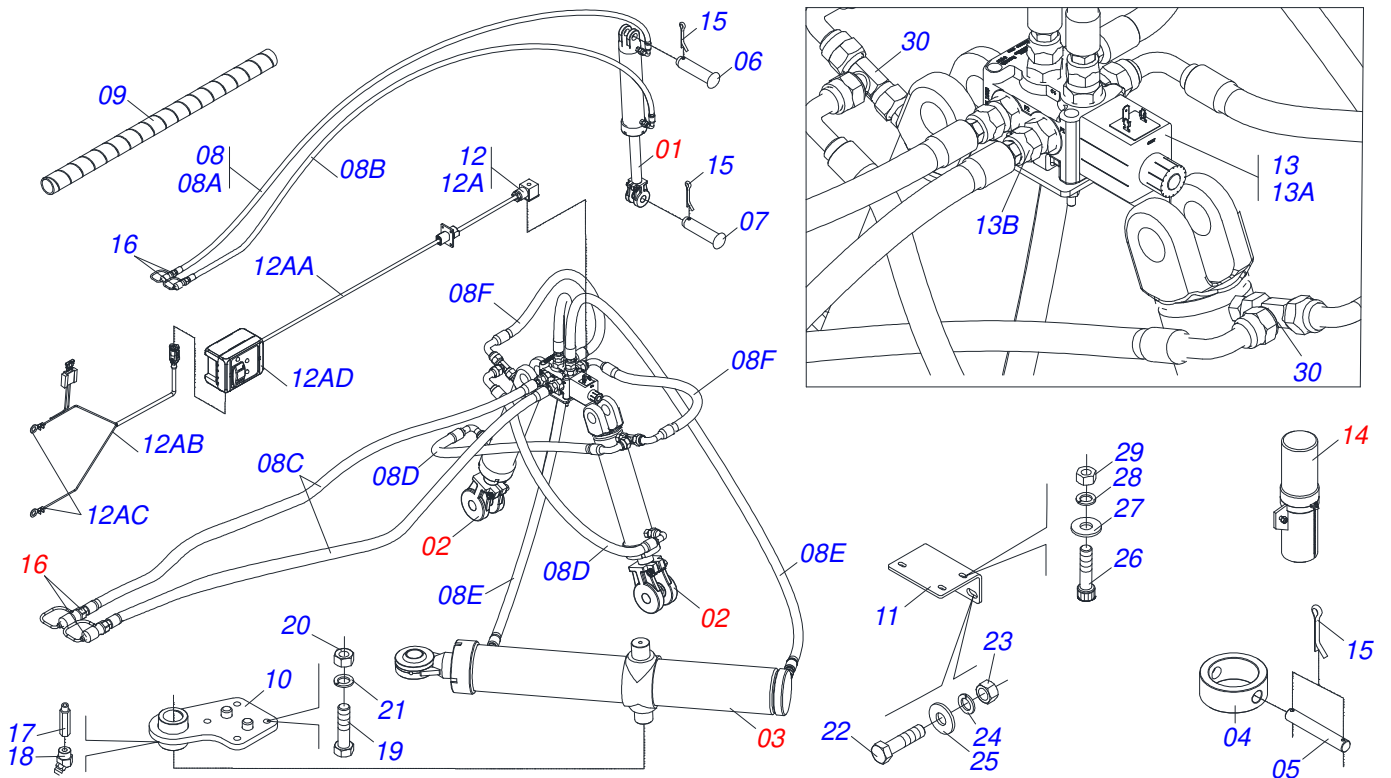
Item	Code	Description	See page	QT
01	0511065683	85,72 X 509 CYLINDER CASE		01
02	0521010827	HYDRAULIC CYLINDER TURNBUCKLE		01
03	0503011094	3/8" X 2" BOLT		01
04	0502040747	32.54 CLEVIS CLAMP		01
05	0503011443	3/8" SPRING WASHER		01
06	0503010026	3/8" NUT		01
07	0503030385	CYLINDER PLUG N-002		02
08	0503010042	2-214 N 3006-9B O'RING		01
09	0503010063	1" SELF-ALIGNING NUT		01
10	0571019710	1.7" X 3.4" PISTON		01
11	0503017935	RING		01
12	0503018144	RING		01
13	0571019711	RING SUPPORT		01
14	0503010761	D-1750 SCRAPER RING		01
15	0571019709	DETACHABLE COVER		01
16	0503017936	RING		01
17	0503017938	RING GUIDE		01
18	0503017937	GASKET		01
19	0503017940	8-337 BACK-UP RING		02
20	0503017939	2-337 N 3006-9B O' RING		02



Item	Code	Description	See page	QT
01	0521066627	CYLINDER CASE		01
02	0502040493	CLEVIS 26,50 R41		01
03	0503011094	3/8" X 2" BOLT		01
04	0503011443	3/8" SPRING WASHER		01
05	0503030385	CYLINDER PLUG N-002		02
06	0503010026	3/8" NUT		01
07	0581010838	TURNBUCKLE BODY		01
08	0502012837	PISTON		01
09	0503018005	RING		01
10	0503011109	2-119 N 3006-9B O'RING		01
11	0503010163	D-1500 SCRAPER RING		01
12	0502010471	MOBILE COVER		01
13	0581010668	RING SUPPORT		01
14	0503018004	RING		01
15	0503018003	GASKET		01
16	0503018163	BACK-UP RING		02
17	0503018162	O'RING		02

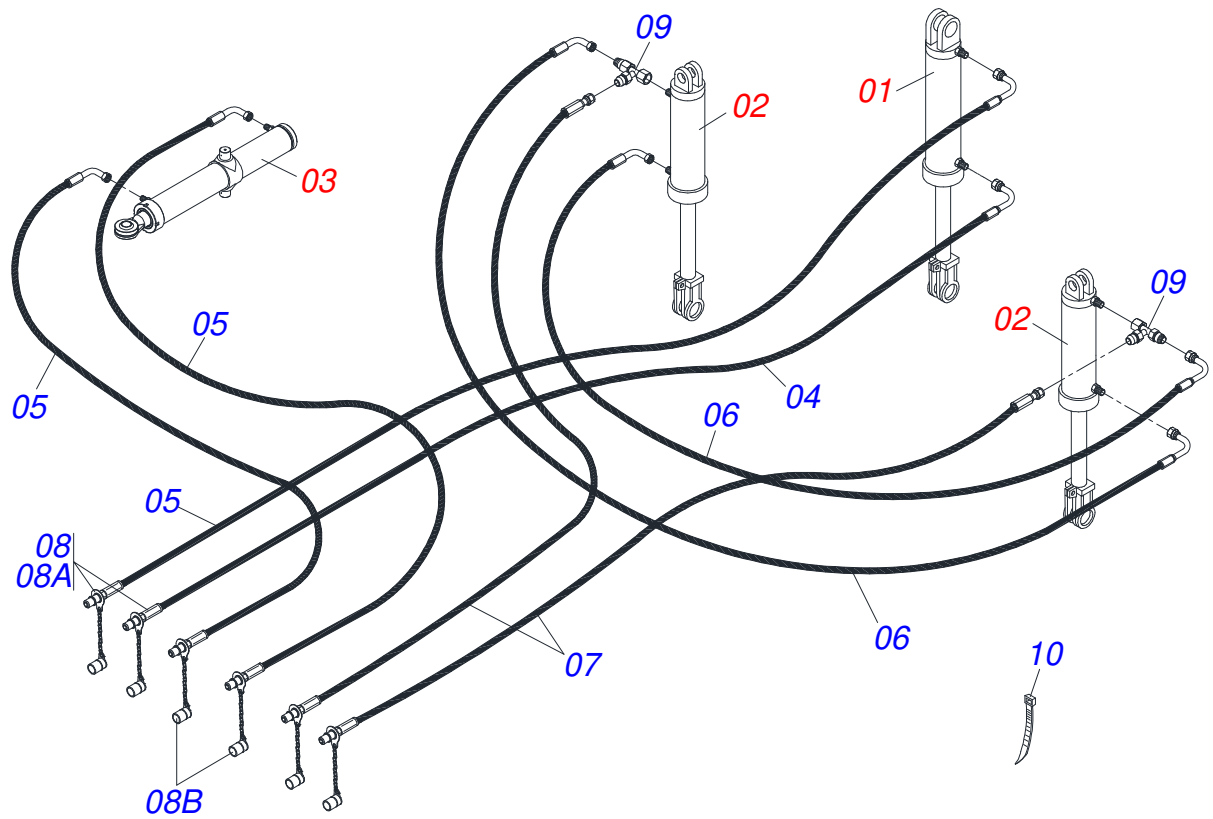


Item	Code	Description	See page	QT
01	0521063853	CYLINDER CASE		01
02	0521063852	TURNBUCKLE		01
03	0571013322	PISTON BODY		01
04	0561016387	PISTON BODY		01
05	0503010817	1.1/4" SELF LOCKING NUT		01
06	0503010287	D-2500 SCRAPER RING		01
07	0551016459	RING SUPPORT 2.1/2		01
08	0503010971	W2-2750-500 PK RING G.I		02
09	0503010288	PACKING 2500-2500-375-B		01
10	0503015633	SELEMASTER SEALING		01
11	0503010345	2-218 N 3006-9B O'RING		01
12	0551010932	MOBILE COVER		01
13	0503030385	CYLINDER PLUG N-002		02
14	0503011061	8-342 BACK-UP RING		01
15	0503010338	2-342 N 3006-9B O'RING		01

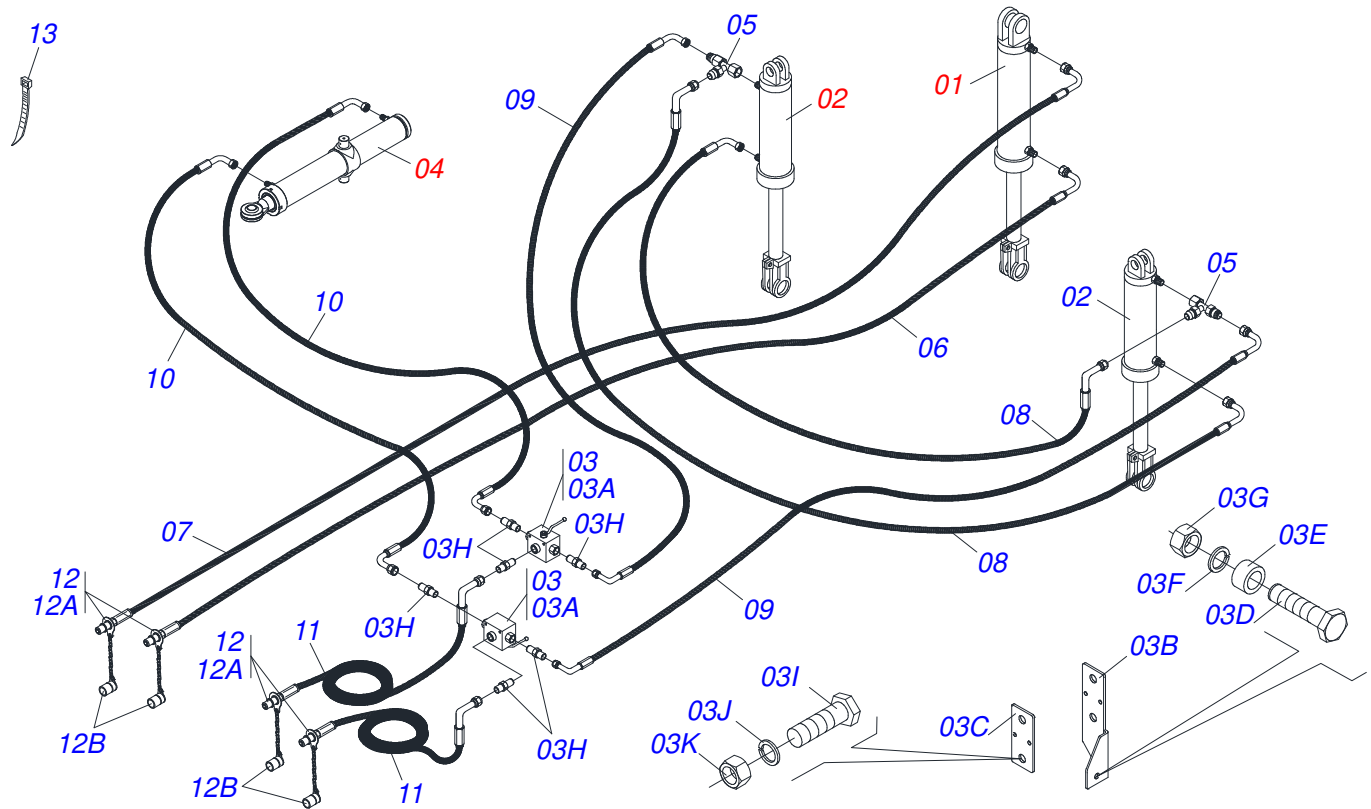


Item	Code	Description	See page	QT
001	0511058426	HYDRAULIC CYLINDER 44,45 X 85,70 X 628 X 330	7	01
002	0511058413	HYDRAULIC CYLINDER	8	02
003	0521041913	HYDRAULIC CYLINDER 63,5 X 101,6 X 572 X 658	9	01
004	0561012651	SLEEVE 74.50 X 101.60 X 40		01
005	0511013598	3/4" X 4.7" COUPLING SHAFT		01
006	0521010545	1.2" X 5.1" COUPLING SHAFT		01
007	0521012538	1.2" X 3.5" COUPLING SHAFT		01
008	0521051566	HOSE ASSY		01
008A	0501080847	3/8" X 5700 TC-TM HOSE		01
008B	0501080409	3/8" X 6000 TC-TM HOSE		01
008C	0501080363	3/8" X 177" TR-TM HOSE ASSY		02
008D	0501082058	HOSE 3/8 X 800 TC-TC		02
008E	0501080128	3/8" X 71" TR-TR HOSE ASSY		02
008F	0501080406	3/8" X 23" TR-TC HOSE		02
009	0501082142	SPRING PROTECTION PLASTIC HOSE		01
010	0521063160	FIXER		01
011	0581015048	VALVE SUPPORT		01
012	0521051828	KIT ELECTRICAL		01
012A	0503062695	KIT ELECTRICAL		01
012AA	0503034553	CABLE EASEL		01
012AB	0503034551	2000 CABLE		01
012AC	0503034550	1700 CABLE		01
012AD	0503034554	CONTROL PANEL		01
012B	0503030804	ADHESIVE LABEL		01
012C	0503034533	ADHESIVE LABEL		01
013	0521051555	SOLENOID VALVE ASSY		01
013A	0503062637	VALVE COMPLETE		01
013B	0571013798	3/4" UNF X 3/8 NPT NIPPLE		06
014	0521051564	ASSY PORT MANUAL INSTRUCCION		01
015	0503010523	1/4" X 2" COTTERPIN		01
016	0501053834	MALE QUICK COUPLER	13	04

<b>Item</b>	<b>Code</b>	<b>Description</b>	<b>See page</b>	<b>QT</b>
017	0501019757	EXTENSION GREASE FITTING		01
018	0503010002	1800 GREASE FITTING		01
019	0503010899	5/8" X 2-1/4" BOLT		04
020	0503010013	5/8" NUT		04
021	0503010027	5/8" SPRING WASHER		04
022	0503011236	3/8" X 2" BOLT		02
023	0503010026	3/8" NUT		02
024	0503010025	3/8" SPRING WASHER		02
025	0501010984	FLAT WASHER		02
026	0503818141	1/4" X 2" BOLT		03
027	0503010305	FLAT WASHER		03
028	0503010143	1/4" SPRING WASHER		03
029	0503010144	1/4" NUT		03
030	0503011968	3/4" 8R6X-S T ADAPTER WITH SWIVEL NUT		02

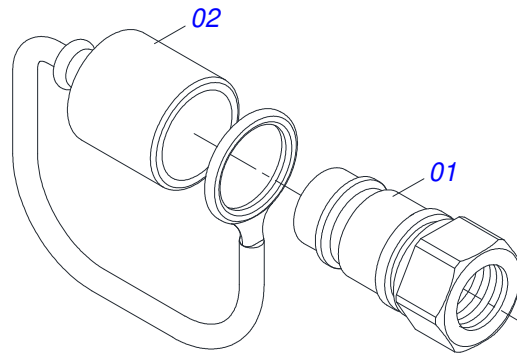


Item	Code	Description	See page	QT
01	0511042770	HYDRAULIC CYLINDER 44,45 X 85,7 X 625 X 330		01
02	0511047811	HYDRAULIC CYLINDER 38,1 X 690 X 484		02
03	0521041913	HYDRAULIC CYLINDER 63,5 X 101,6 X 572 X 658	9	01
04	0501080847	3/8" X 5700 TC-TM HOSE		01
05	0501080409	3/8" X 6000 TC-TM HOSE		03
06	0501081296	3/8" X 800 TC-TC HOSE		02
07	0501080363	3/8" X 177" TR-TM HOSE ASSY		02
08	0501053834	MALE QUICK COUPLER	13	06
08A	0503011627	MALE QUICK COUPLER AGR 1/2 NPT		06
08B	0503011882	MALE QUICK COUPLER CAP		06
09	0503011968	3/4" 8R6X-S T ADAPTER WITH SWIVEL NUT		02
10	0503013100	NYLON CLAMP		04



Item	Code	Description	See page	QT
01	0511042770	HYDRAULIC CYLINDER 44,45 X 85,7 X 625 X 330		01
02	0511047811	HYDRAULIC CYLINDER 38,1 X 690 X 484		02
03	0511053207	VALVE		01
03A	0503016612	VALVE		02
03B	0571013795	VALVE SUPPORT		01
03C	0571013797	FIXER PLATE		01
03D	0503010920	1/2" X 1.1/2" BOLT		01
03E	0571013796	SLEVE FIXATION		01
03F	0503010019	1/2" SPRING WASHER		01
03G	0503010060	1/2" NUT		01
03H	0571013798	3/4" UNF X 3/8 NPT NIPPLE		06
03I	0503011179	3/8" X 2-1/4" BOLT		02
03J	0503010025	3/8" SPRING WASHER		02
03K	0503010026	3/8" NUT		02
04	0521041913	HYDRAULIC CYLINDER 63,5 X 101,6 X 572 X 658	9	01
05	0503011968	3/4" 8R6X-S T ADAPTER WITH SWIVEL NUT		02
06	0501080847	3/8" X 5700 TC-TM HOSE		01
07	0501080409	3/8" X 6000 TC-TM HOSE		01
08	0501081296	3/8" X 800 TC-TC HOSE		02
09	0501080909	3/8 X 4600 TC-TC HOSE		02
10	0501080748	3/8" X 122" TC-TC HOSE ASSY		02
11	0501080883	TC-TM 3/8" X 59.06" HOSE ASSY		02
12	0501053834	MALE QUICK COUPLER	13	04
12A	0503011627	MALE QUICK COUPLER AGR 1/2 NPT		04
12B	0503011882	MALE QUICK COUPLER CAP		04
13	0503013100	NYLON CLAMP		04





Item	Code	Description	See page	QT
01	0503011627	MALE QUICK COUPLER AGR 1/2 NPT		01
02	0503011882	MALE QUICK COUPLER CAP		01





***civemasa***

**Technical Publications | Elaboration and Revision**  
LUIZ CANDIDO

[www.civemasa.com.br](http://www.civemasa.com.br)

