

PARTS CATALOGUE

REAR SCRAPER PULL TYPE

LTM 3000 VEH

Code: 0501092045



Series: S-0917

Review: DEZEMBRO/2017

**ORIGINAL PARTS
CIVEMASA**

civemasa

PRODUCTS

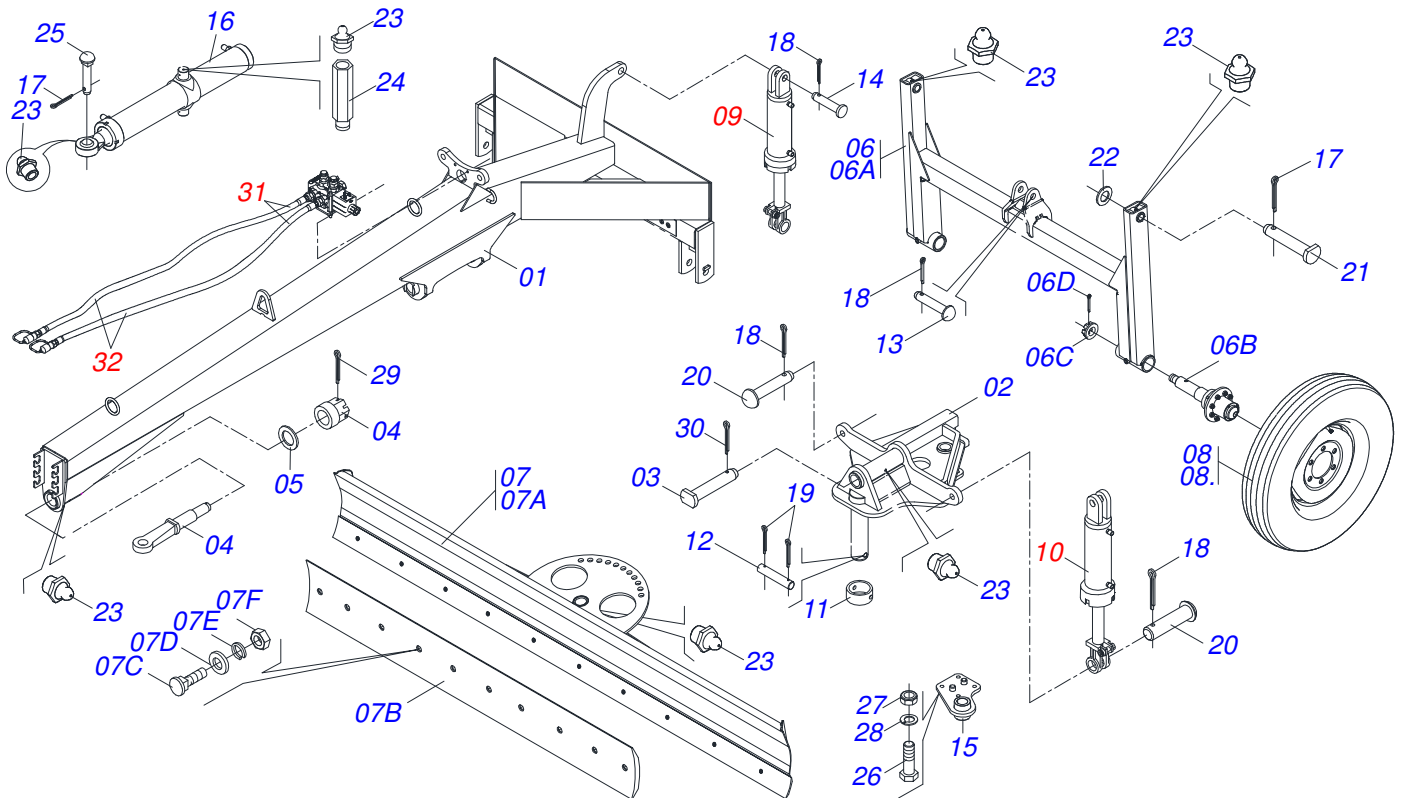
Code	Description	
0121300006	LTM 3000 H C/VALV	S-0712
0121300007	LTM 3000 VEH	S-0917

ATTENTION: **IMPORTANT**

CIVEMASA RESERVES THE RIGHT AT ANY TIME TO MAKE IMPROVEMENTS IN THE DESIGN, MATERIAL OR SPECIFICATIONS OF MACHINERY, EQUIPMENT OR PARTS WITHOUT THEREBY BECOMING LIABLE TO MAKE SIMILAR CHANGES IN MACHINERY, EQUIPMENT OR PARTS PREVIOUSLY SOLD.

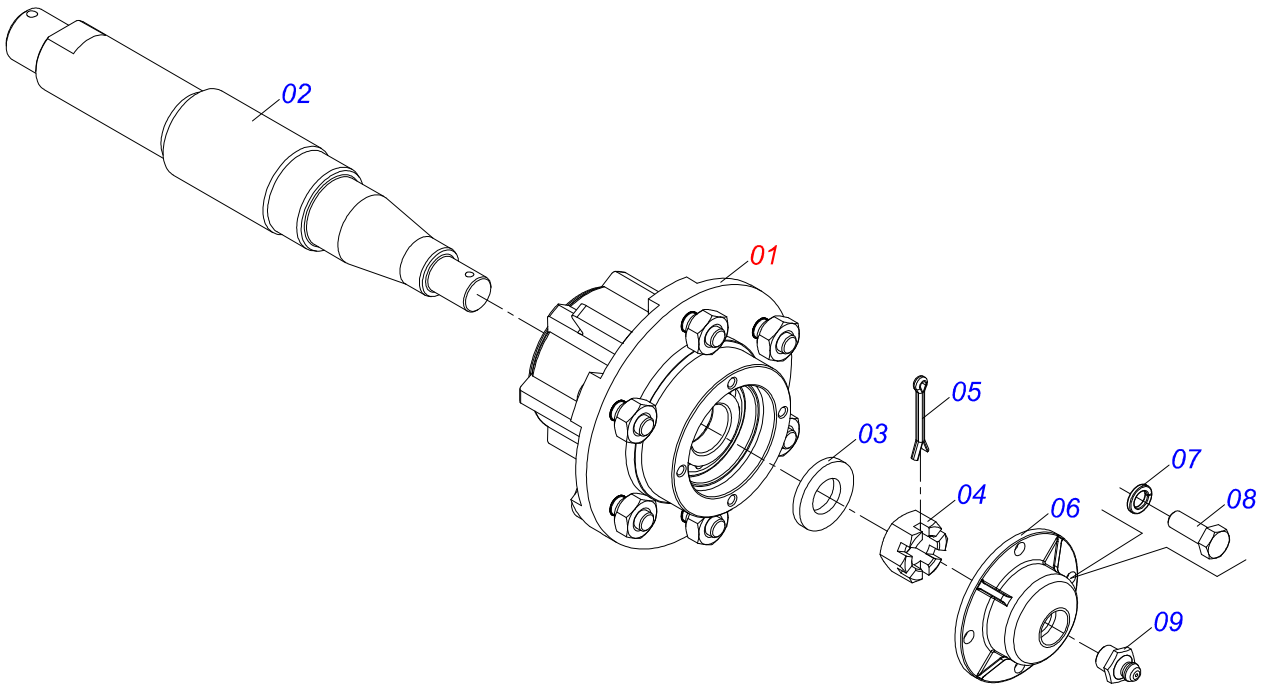
INDEX

0909093624	HYDRAULIC FRAME 3000	1
0501051634	TSTUB SHAFT & HUB ASSY	2
0501051142	CARRYING WHEEL HUB	3
0511058426	HYDRAULIC CYLINDER	4
0511058413	HYDRAULIC CYLINDER	5
0521041913	HYDRAULIC CYLINDER	6
0521023764	HYDRAULIC CIRCUIT	7
0909091592	HYDRAULIC CIRCUIT WITH VALVE	8
0909091593	HYDRAULIC CIRCUIT WITHOUT VALVE	9
0909091594	HYDRAULIC CIRCUIT	10
0501053834	QUICK CONECTION (MALE) 1/2	11

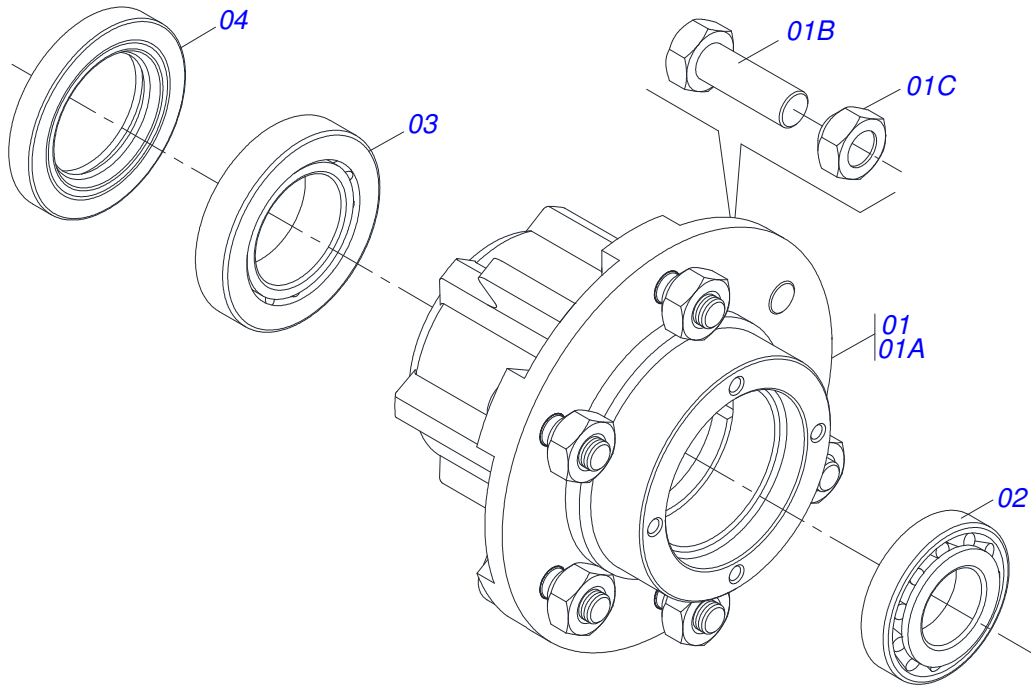


Item	Code	Description	QT
01	0521062256	FRAME LTM 3000	01
02	0521063162	SUPPORT	01
03	0561012652	BLADE SHAFT ARTICULATOR LTA 3000	01
04	0503061649	PONTEIRA HITCH SILPA	01
05	0511019776	FLAT WASHER	01
06	0511047822	STUB SHAFT & HUB ASSY	01
06A	0521060612	WHEEL	01
06B	0501051634	TSTUB SHAFT & HUB ASSY	02
06C	0501011301	1.1/2 UNC 6FPP 2.5/16 NUT	02
06D	0503010010	1/4" X 2.1/2" COTTERPIN	02
07	0521040859	LAMP	01
07A	0521063163	LAMINA 3000 LTA 3000C/CH	01
07B	0561012685	SCRAPER	01
07C	0501012239	5/8" X 1.3/4" BOLT	10
07D	0571010265	FLAT WASHER	10
07E	0503011445	SPRING WASHER	10
07F	0503010013	5/8" NUT	10
08	0503060094	WHEEL AND TIRE ASSY	02
08.	0503060091	L29.5"X0.63"-10L WHEEL AND	02
09	0511058426	HYDRAULIC CYLINDER	01
10	0511058413	HYDRAULIC CYLINDER	02
11	0561012651	SLEEVE 74.50 X 101.60 X 40	01
12	0511013598	3/4" X 4.7" COUPLING SHAFT	01
13	0521010545	1.2" X 5.1" COUPLING SHAFT	01
14	0521012538	1.2" X 3.5" COUPLING SHAFT	01
15	0521063160	FIXER	01
16	0521041913	HYDRAULIC CYLINDER	01
17	0503010534	3/8 X 2-1/2 COTTERPIN	03
18	0503010523	1/4" X 2" COTTERPIN	06
19	0503010071	3/16" X 1" COTTERPIN	02
20	0521010575	C0.9" X 3.3" COUPLING SHAFT	04
21	0561012693	SHAFT JOINT 31.20 X 163 LTA	02
22	0501010307	FLAT WASHER	02

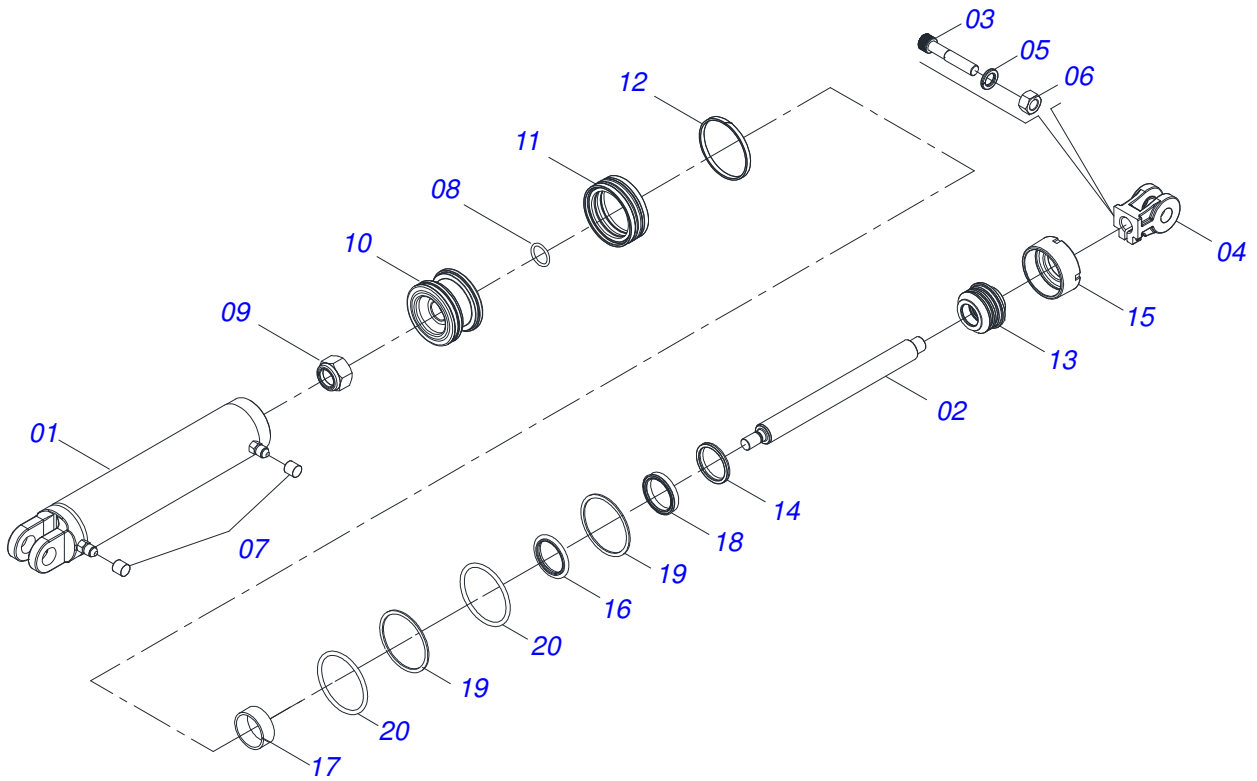
Item	Code	Description	QT
23	0503010002	1800 GREASE FITTING	08
24	0501019757	EXTENSION GREASE FITTING	02
25	0511019520	1.5" X 1.4" PIVOT SHAFT	01
26	0503010899	5/8" X 2-1/4" BOLT	04
27	0503010013	5/8" NUT	04
28	0503010027	SPRING WASHER	04
29	0503012213	1/4" X 4 COTTERPIN	01
30	0503010073	3/8 X 3-1/2 COTTERPIN	01
31	0521023764	HYDRAULIC CIRCUIT	01
32	0909091592	HYDRAULIC CIRCUIT WITH VALVE	01



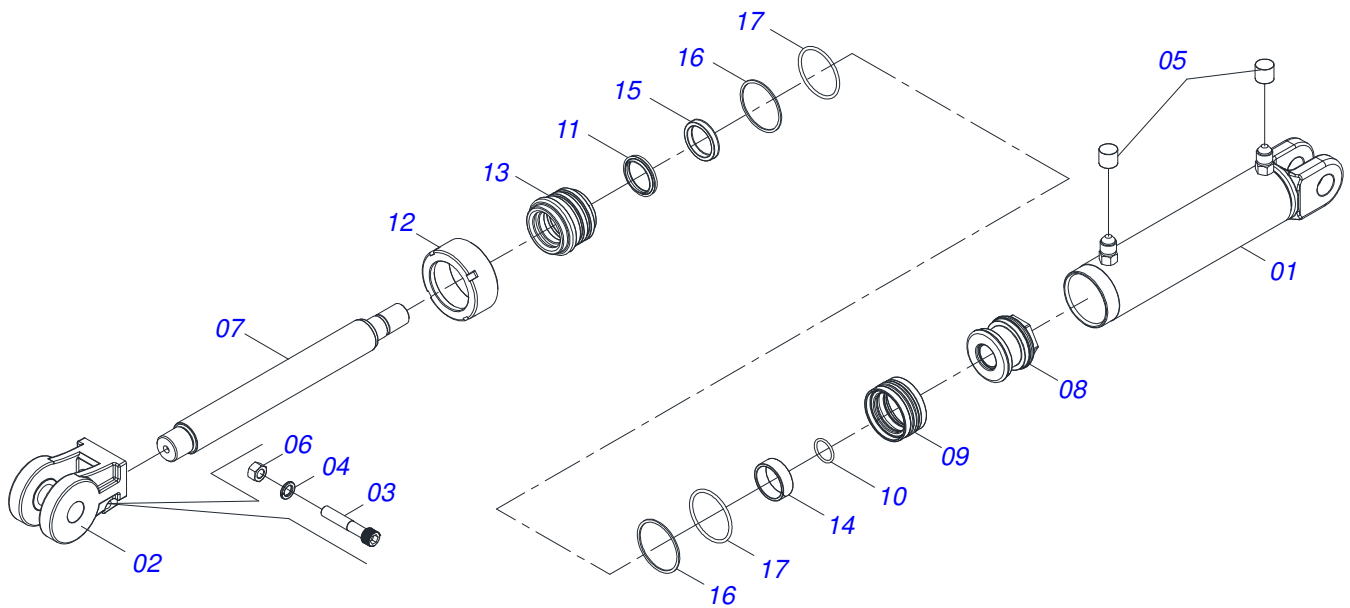
Item	Code	Description	QT
01	0501051142	CARRYING WHEEL HUB	01
02	0521010821	2.5" X 16.5" AXLE	01
03	0501016545	FLAT WASHER	01
04	0503030009	1" CASTLE NUT	01
05	0503010018	5/32 X 1-1/2 COTTERPIN	01
06	0502020591	PROTECCION COVER	01
07	0503011444	SPRING WASHER	04
08	0503010358	5/16" X 5/8" BOLT	04
09	0503010002	1800 GREASE FITTING	01



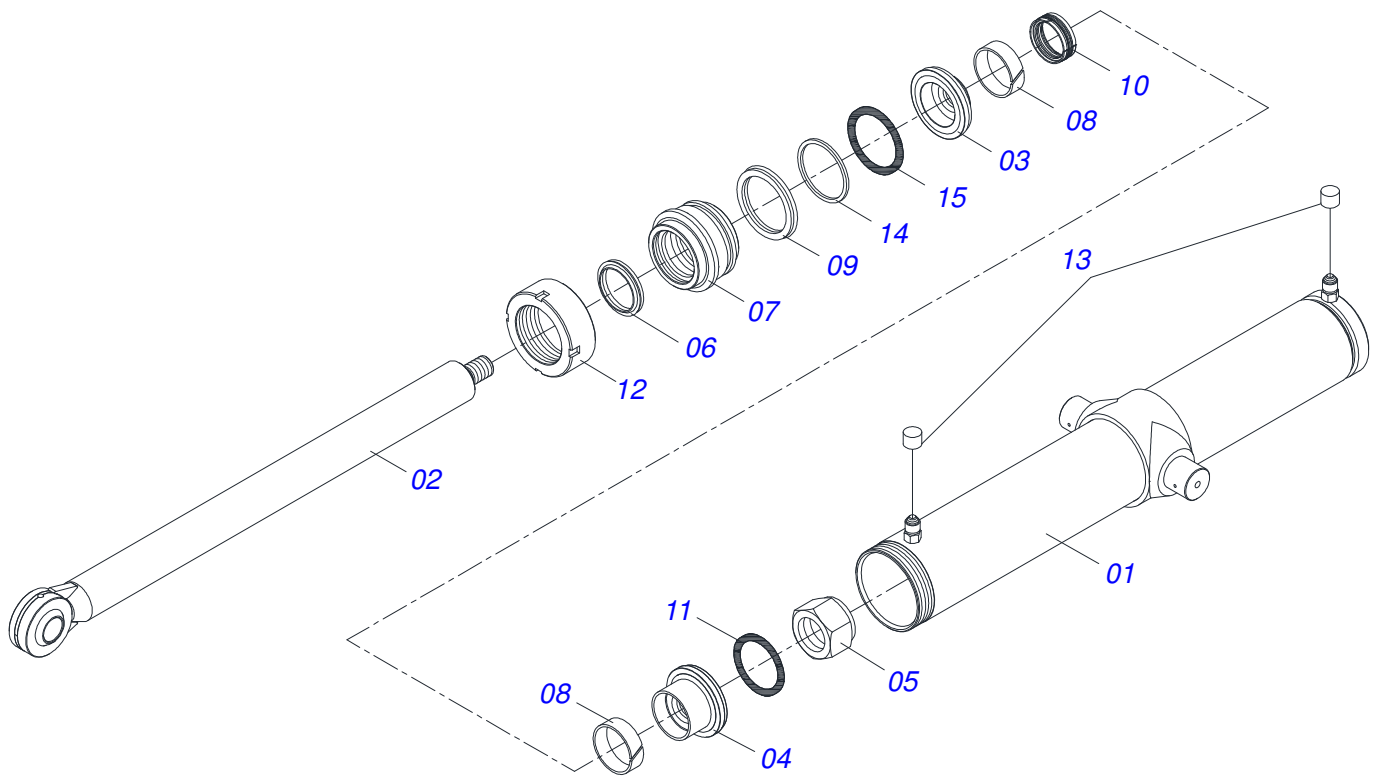
Item	Code	Description	QT
01	0501110728	WHEEL HUB	01
01A	0502011121	CARRYING WHEEL HUB	01
01B	0501010127	9/16" X 1-7/8" LUG BOLT	06
01C	0503010035	9/16" CONIC NUT	06
02	0503010037	30207 ROLLER BEARING	01
03	0503010006	32210 ROLLER BEARING	01
04	0503012928	SEAL	01



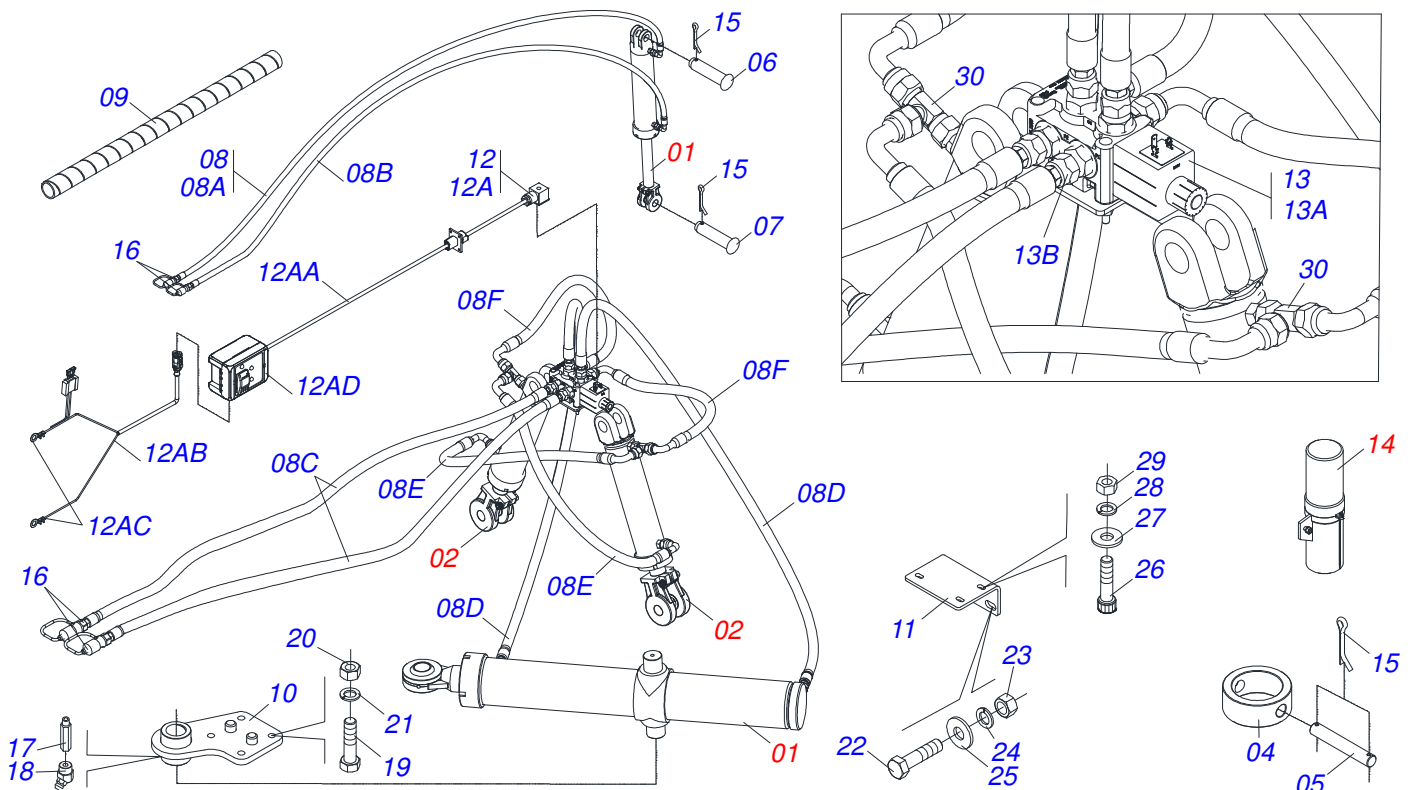
Item	Code	Description	QT
001	0511065683	85,72 X 509 CYLINDER CASE	01
002	0521010827	HYDRAULIC CYLINDER TURNBUCKLE	01
003	0503011094	3/8" X 2" BOLT C C S I 12.9	01
004	0502040747	FORK	01
005	0503011443	SPRING WASHER	01
006	0503010026	3/8" NUT	01
007	0503030385	PLUG	02
008	0503010042	2-214 N 3006-9B O'RING	01
009	0503010063	1" SELF-ALIGNING NUT	01
010	0571019710	1.7" X 3.4" PISTON	01
011	0503017935	RING	01
012	0503018144	RING	01
013	0571019711	RING SUPPORT	01
014	0503010761	D-1750 SCRAPER RING	01
015	0571019709	DETACHABLE COVER	01
016	0503017936	RING	01
017	0503017938	RING GUIDE	01
018	0503017937	GASKET	01
019	0503017940	8-337 BACK-UP RING	02
020	0503017939	2-337 N 3006-9B O' RING	02



Item	Code	Description	QT
001	0521066627	CYLINDER CASE	01
002	0502040493	CLEVIS 26,50 R41	01
003	0503011094	3/8" X 2" BOLT C C S I 12.9	01
004	0503011443	SPRING WASHER	01
005	0503030385	PLUG	02
006	0503010026	3/8" NUT	01
007	0581010838	TURNBUCLE BODY	01
008	0502012837	PISTON	01
009	0503018005	RING	01
010	0503011109	2-119 N 3006-9B O'RING	01
011	0503010163	D-1500 SCRAPER RING	01
012	0502010471	MOBILE COVER	01
013	0581010668	RING SUPPORT	01
014	0503018004	RING	01
015	0503018003	GASKET	01
016	0503018163	BACK-UP RING	02
017	0503018162	O'RING	02

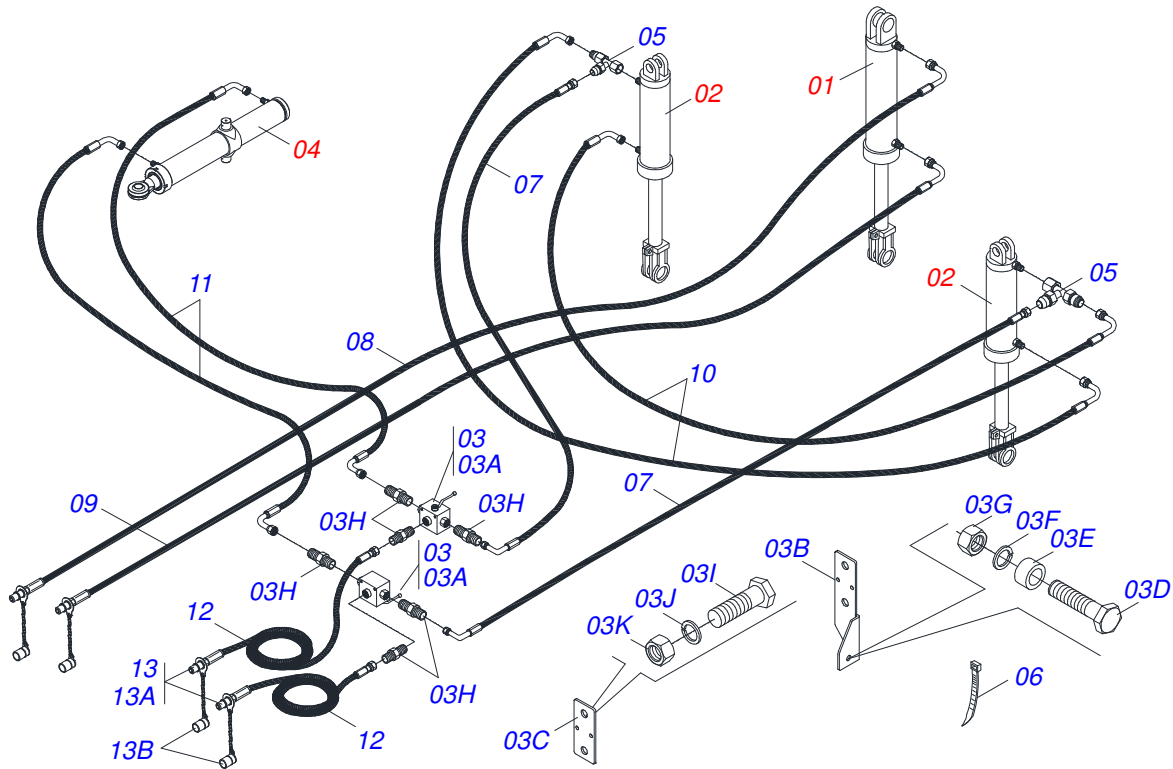


Item	Code	Description	QT
001	0521063853	CYLINDER CASE	01
002	0521063852	TURNBUCKLE	01
003	0571013322	PISTON BODY	01
004	0561016387	PISTON BODY	01
005	0503010817	1-1/4" SELF-ADJUSTING NUT	01
006	0503010287	D-2500 SCRAPER RING	01
007	0551016459	RING SUPPORT 2.1/2	01
008	0503010971	W2-2750-500 PK RING G.I	02
009	0503010288	PACKING 2500-2500-375-B	01
010	0503015633	SELEMASTER SEALING	01
011	0503010345	2-218 N 3006-9B O'RING	01
012	0551010932	MOBILE COVER	01
013	0503030385	PLUG	02
014	0503011061	8-342 BACK-UP RING	01
015	0503010338	2-342 N 3006-9B O'RING	01

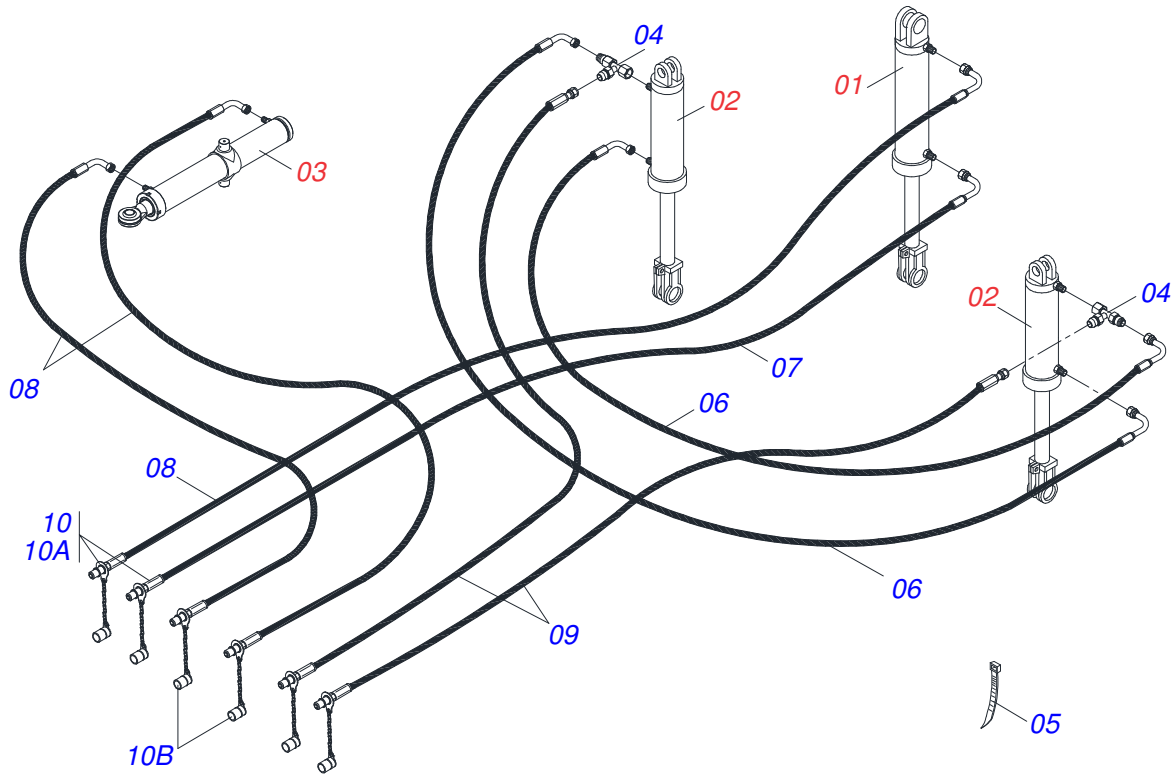


Item	Code	Description	QT
001	0511058426	HYDRAULIC CYLINDER	01
002	0511058413	HYDRAULIC CYLINDER	02
003	0521041913	HYDRAULIC CYLINDER	01
004	0561012651	SLEEVE 74.50 X 101.60 X 40	01
005	0511013598	3/4" X 4.7" COUPLING SHAFT	01
006	0521010545	1.2" X 5.1" COUPLING SHAFT	01
007	0521012538	1.2" X 3.5" COUPLING SHAFT	01
008	0521051565	HOSE ASSY	01
008A	0501080383	3/8" X 197" TC-TM HOSE ASSY	01
008B	0501080410	3/8" X 208" TC-TM HOSE ASSY	01
008C	0501081124	HOSE 3/8" X 4200-TM TR	02
008D	0501080128	3/8" X 71" TR-TR HOSE ASSY	02
008E	0501082058	HOSE 3/8 X 800 TC-TC	02
008F	0501080406	3/8" X 23" TR-TC HOSE ASSY	02
009	0501082142	SPRING PROTECTION PLASTIC HOSE	01
010	0521063160	FIXER	01
011	0581015048	VALVE SUPPORT	01
012	0521051828	KIT ELECTRICAL	01
012A	0503062695	KIT ELECTRICAL	01
012AA	0503034553	CABLE EASEL	01
012AB	0503034551	2000 CABLE	01
012AC	0503034550	1700 CABLE	01
012AD	0503034554	CONTROL PANEL	01
013	0521051555	VALVE COMPLETE	01
013A	0503062637	VALVE COMPLETE	01
013B	0571013798	NIPPLE	06
014	0521051564	SET DOOR HAND BOOK	01
015	0503010523	1/4" X 2" COTTERPIN	06
016	0501053834	QUICK CONECTION (MALE) 1/2	04
017	0501019757	EXTENSION GREASE FITTING	01
018	0503010002	1800 GREASE FITTING	01
019	0503010899	5/8" X 2-1/4" BOLT	04
020	0503010013	5/8" NUT	04

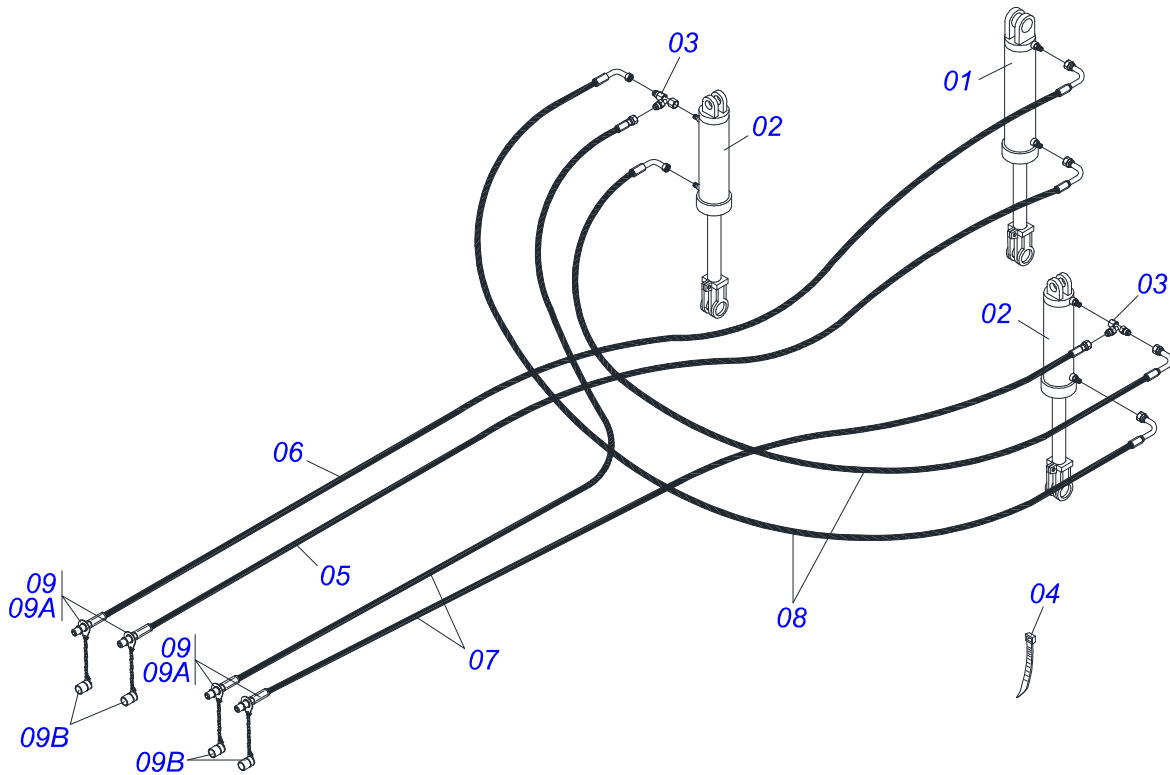
Item	Code	Description	QT
021	0503010027	SPRING WASHER	04
022	0503011236	3/8" X 2" BOLT	02
023	0503010026	3/8" NUT	02
024	0503010025	3/8 SPRING WASHER	02
025	0501010984	FLAT WASHER	02
026	0503818141	1/4" X 2" BOLT	03
027	0503010305	FLAT WASHER	03
028	0503010143	SPRING WASHER	03
029	0503010144	1/4" NUT	03
030	0503011968	T ADAPTOR WITH GIRAT	02



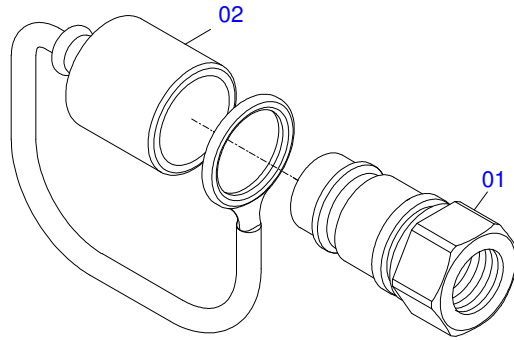
Item	Code	Description	QT
01	0511058426	HYDRAULIC CYLINDER	01
02	0511058413	HYDRAULIC CYLINDER	02
03	0511053207	VALVE	01
03A	0503016612	VALVE	02
03B	0571013795	VALVE SUPPORT	01
03C	0571013797	FIXER PLATE	01
03D	0503010920	1/2" X 1.1/2" BOLT	01
03E	0571013796	SLEVE FIXATION	01
03F	0503010019	1/2" SPRING WASHER	01
03G	0503010060	1/2" NUT	01
03H	0571013798	NIPPLE	06
03I	0503011179	3/8" X 2-1/4" BOLT	02
03J	0503010025	3/8 SPRING WASHER	02
03K	0503010026	3/8" NUT	02
04	0521041913	HYDRAULIC CYLINDER	01
05	0503011968	T ADAPTOR WITH GIRAT	02
06	0503013100	NYLON CLAMP	04
07	0501080414	3/8" X 110.2" TR-TC HOSE ASSY	02
08	0501080410	3/8" X 208" TC-TM HOSE ASSY	01
09	0501080383	3/8" X 197" TC-TM HOSE ASSY	01
10	0501081296	3/8" X 800 TC-TC HOSE	02
11	0501080754	3/8" X 192" TC-TC HOSE ASSY	02
12	0501080852	3/8" X 1500 TR-TM HOSE	02
13	0501053834	QUICK COECTION (MALE) 1/2	04
13A	0503011627	QUICK CONNECTION (MALE) AGR 1/2 NPT	04
13B	0503011882	QUICK CONNECTION COVER	04



Item	Code	Description	QT
01	0511058426	HYDRAULIC CYLINDER	01
02	0511058413	HYDRAULIC CYLINDER	02
03	0521041913	HYDRAULIC CYLINDER	01
04	0503011968	T ADAPTOR WITH GIRAT	02
05	0503013100	NYLON CLAMP	04
06	0501081296	3/8" X 800 TC-TC HOSE	02
07	0501080383	3/8" X 197" TC-TM HOSE ASSY	01
08	0501080410	3/8" X 208" TC-TM HOSE ASSY	03
09	0501081124	HOSE 3/8" X 4200-TM TR	02
10	0501053834	QUICK CONECTION (MALE) 1/2	06
10A	0503011627	QUICK CONNECTION (MALE) AGR 1/2 NPT	06
10B	0503011882	QUICK CONNECTION COVER	06



Item	Code	Description	QT
01	0511058426	HYDRAULIC CYLINDER	01
02	0511058413	HYDRAULIC CYLINDER	02
03	0503011968	T ADAPTOR WITH GIRAT	02
04	0503013100	NYLON CLAMP	01
05	0501080383	3/8" X 197" TC-TM HOSE ASSY	01
06	0501080410	3/8" X 208" TC-TM HOSE ASSY	01
07	0501081124	HOSE 3/8" X 4200-TM TR	02
08	0501081296	3/8" X 800 TC-TC HOSE	02
09	0501053834	QUICK CONECTION (MALE) 1/2	04
09A	0503011627	QUICK CONNECTION (MALE) AGR 1/2 NPT	04
09B	0503011882	QUICK CONNECTION COVER	04



Item	Code	Description	QT
01	0503011627	QUICK CONNECTION (MALE) AGR 1/2 NPT	01
02	0503011882	QUICK CONNECTION COVER	01



email: civemasa@civemasa.com.br

www.civemasa.com.br

Phone: +55 16.3382.8222

Fax: +55 16.3382.8355

MARCHESAN IMPLEMENTOS E MÁQUINAS AGRÍCOLAS "TATU" S.A.

Av. Marchesan, 1979 - Post Office box, 131 - Cep 15994-900 - Matão - Sp - Brasil

CNPJ 52.311.289/0001-63 | Inst. Est.441.000.151.114

Technical Publications: Elaboration

LUIZ CANDIDO

Technical Publications: Revision

ALESSANDRA PATRICIA KAWAHARA CARRILI

Contact Catálogo:

E-mail = jgaspari@marchesan.com.br

**ORIGINAIS PARTS
CIVEMASA**

civemasa