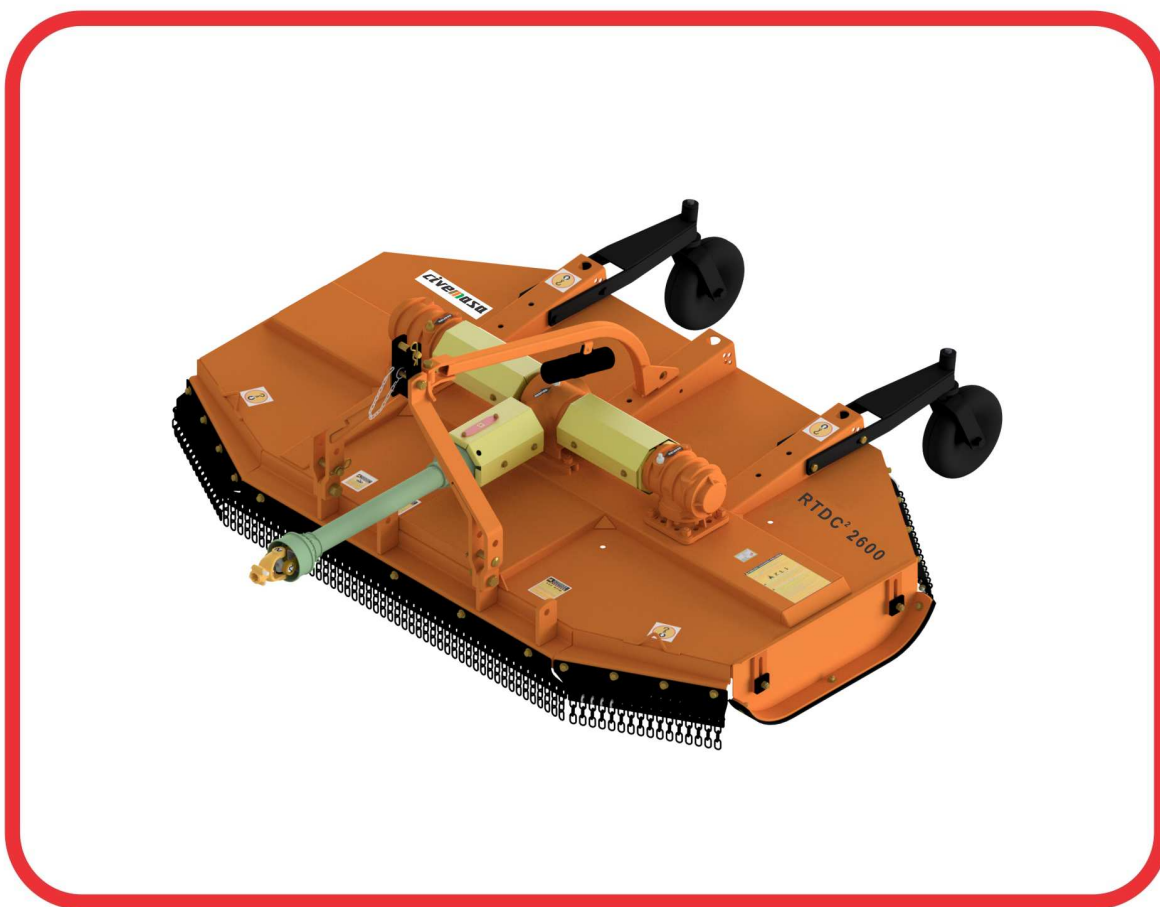


PARTS CATALOGUE

ROTARY CUTTERS

RTDC2 2600 CL

Code: 0501092036



Series: S-0216

Review: OUTUBRO/2017

**ORIGINAL PARTS
CIVEMASA**

civemasa

PRODUCTS

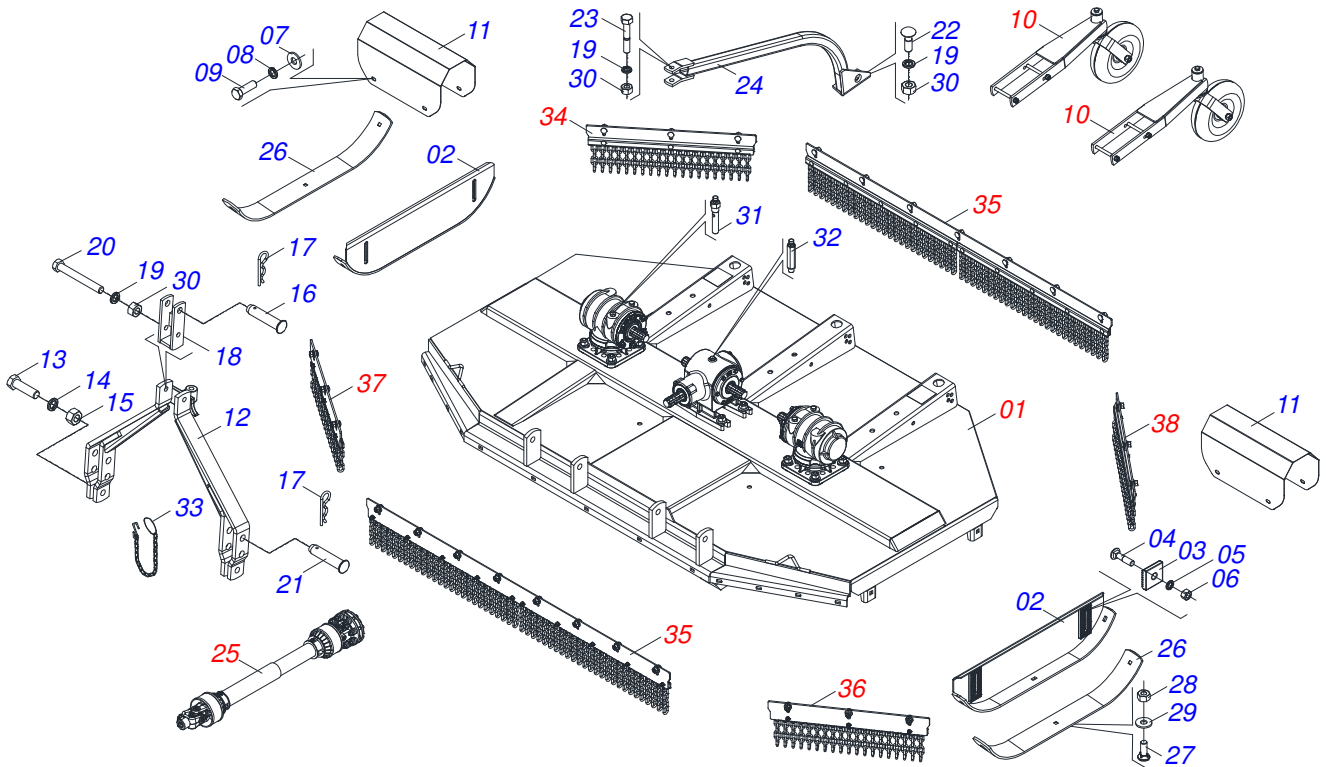
Code	Description
0121540033	RTDC2 2600 CL C/PROT C/2R S-0516
0121540032C	RTDC2 2600 C/R CL S/PROT EXP S-0216

ATTENTION: IMPORTANT

CIVEMASA RESERVES THE RIGHT AT ANY TIME TO MAKE IMPROVEMENTS IN THE DESIGN, MATERIAL OR SPECIFICATIONS OF MACHINERY, EQUIPMENT OR PARTS WITHOUT THEREBY BECOMING LIABLE TO MAKE SIMILAR CHANGES IN MACHINERY, EQUIPMENT OR PARTS PREVIOUSLY SOLD.

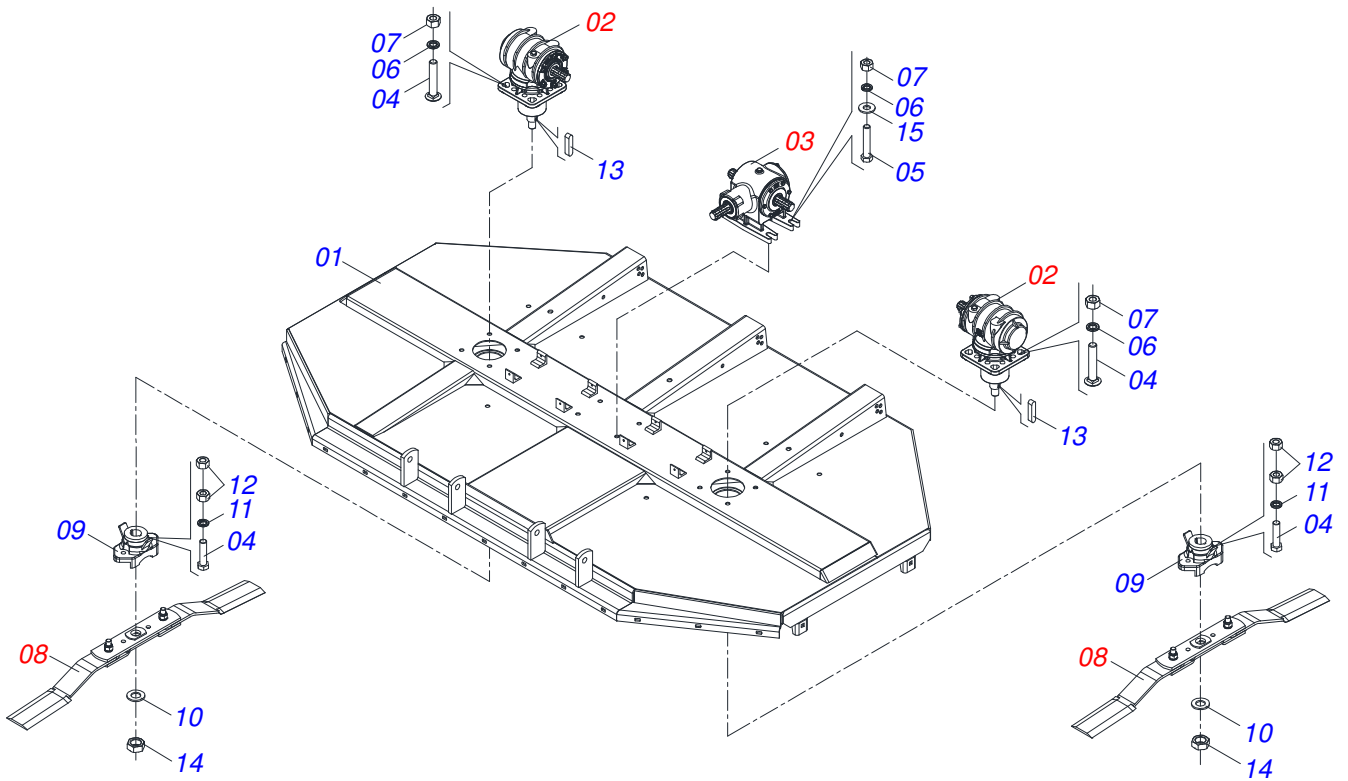
INDEX

0909093569	FRAME	1
0521051340	SEMIFINISHED FRAME	2
0909093485	TRANSMISSION	3
0909093570	FRONT CURRENT PROTECTION	4
0909093571	REAR CURRENT PROTECTION	5
0521051345	CHAIN PROTECTION	6
0511047301	CARRYING WHEELS ASSY	7
0501047952	DRIVE SHAFT	8
0501055991	SUPPORT WITH ROTARY CUTTER BLADES	9
0511042158	RH MULTIPLIER	10
0511041608	DOUBLE DISTRIBUTOR	11
0909091430	(SHEET METAL SUPPORT)SPARE	12

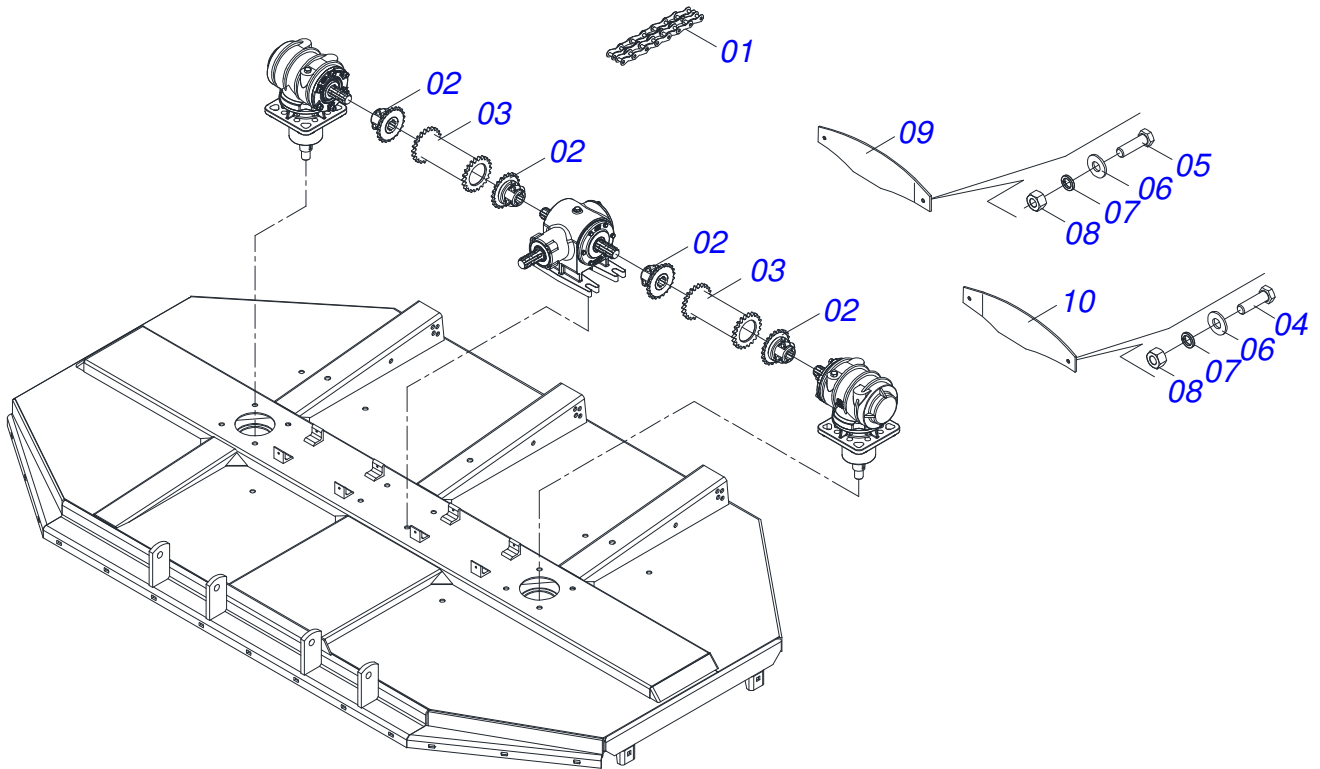


Item	Code	Description	QT
01	0521051340	SEMIFINISHED FRAME	01
02	0511064761	930 LEFT SKID	02
03	1902010083	SQUARE WASHER	04
04	0501014177	5/8" X 2-1/2" BOLT	04
05	0503010027	SPRING WASHER	04
06	0503010013	5/8" NUT	04
07	0501010984	FLAT WASHER	08
08	0503010025	3/8 SPRING WASHER	08
09	0503010256	3/8" X 3/4" BOLT	08
10	0511047301	CARRYING WHEELS ASSY	02
11	0541015841	PROTECTION COVER	02
12	0501066446	DRAWBAR	01
13	0501010171	PARAFUSO 1 UNC X 3.1/2 C S G.5	02
14	0501010059	1.5/8 NUT	01
15	0503010012	1" SPRING WASHER	01
16	0521010596	COUPLING SHAFT	01
17	0503031035	HAIR PIN	02
18	0501066445	PIVOT DOUBLE BAR	01
19	0503010023	SPRING WASHER	03
20	0503011198	C3/4" X 6" BOLT	01
21	0521010578	COUPLING SHAFT	01
22	0501017305	3/4" X 2-1/4" BOLT	01
23	0501010216	3/4" X 4-1/2" BOLT	01
24	0501067540	ATTACHMENT BAR	01
25	0511043450	DRIVE SHAFT	01
26	0531019436	SKID GUIDE	02
27	0503012956	1/2" X 1-1/2" BOLT	06
28	0503012682	1/2" BSW NUT	06
29	0511017302	FLAT WASHER	06
30	0503010014	3/4" NUT	02
31	0501110186	OIL SMALLER LEVEL INDICATOR	01
32	0501110843	DOBLE DISTRIBUTOR HOLE	01
33	0503011981	17.7" CHAIN WITH HOOK/LINK	02

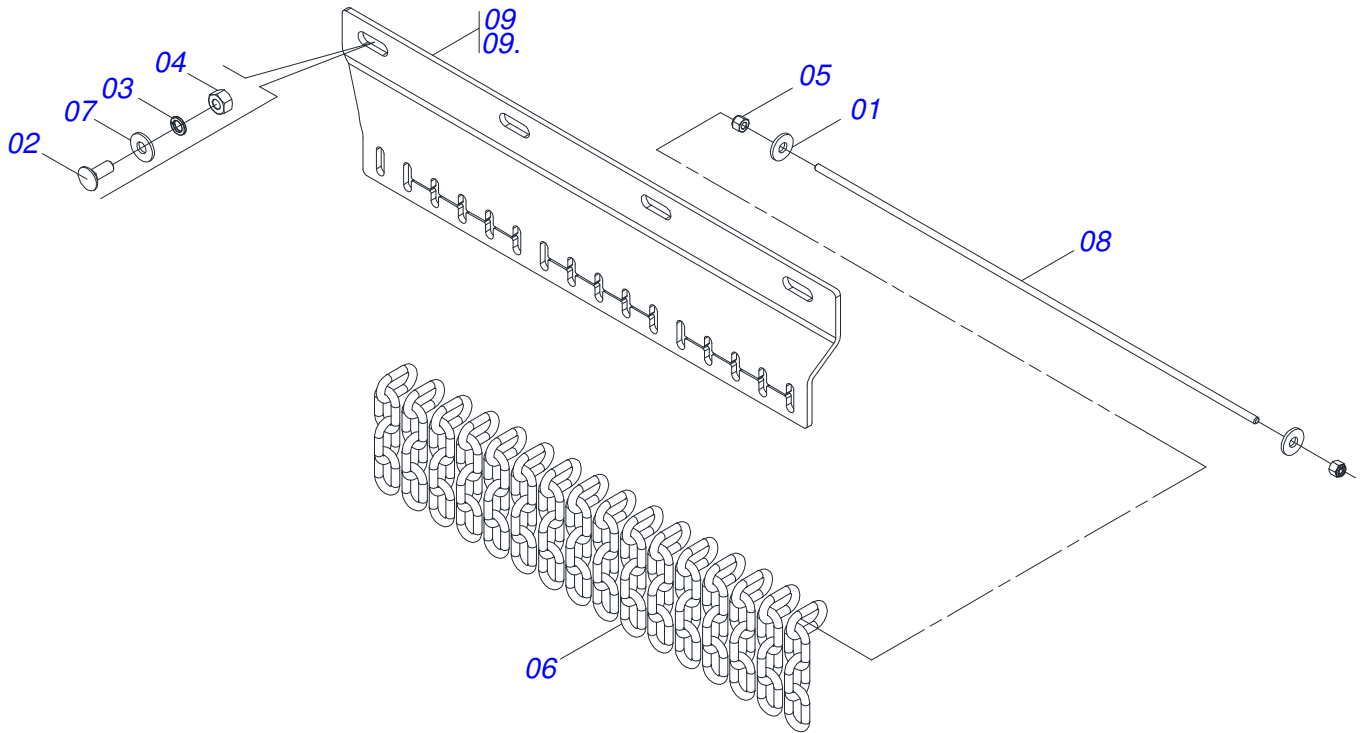
Item	Code	Description	QT
34	0521051347	RIGHT REAR CURRENT PROTECTION	01
35	0521051345	CHAIN PROTECTION	02
36	0521051444	LEFTH REAR CURRENT PROTECTION	01
37	0521051443	RIGHT FRONT CURRENT PROTECTION	01
38	0521051346	LEFTH REAR CURRENT PROTECTION	01



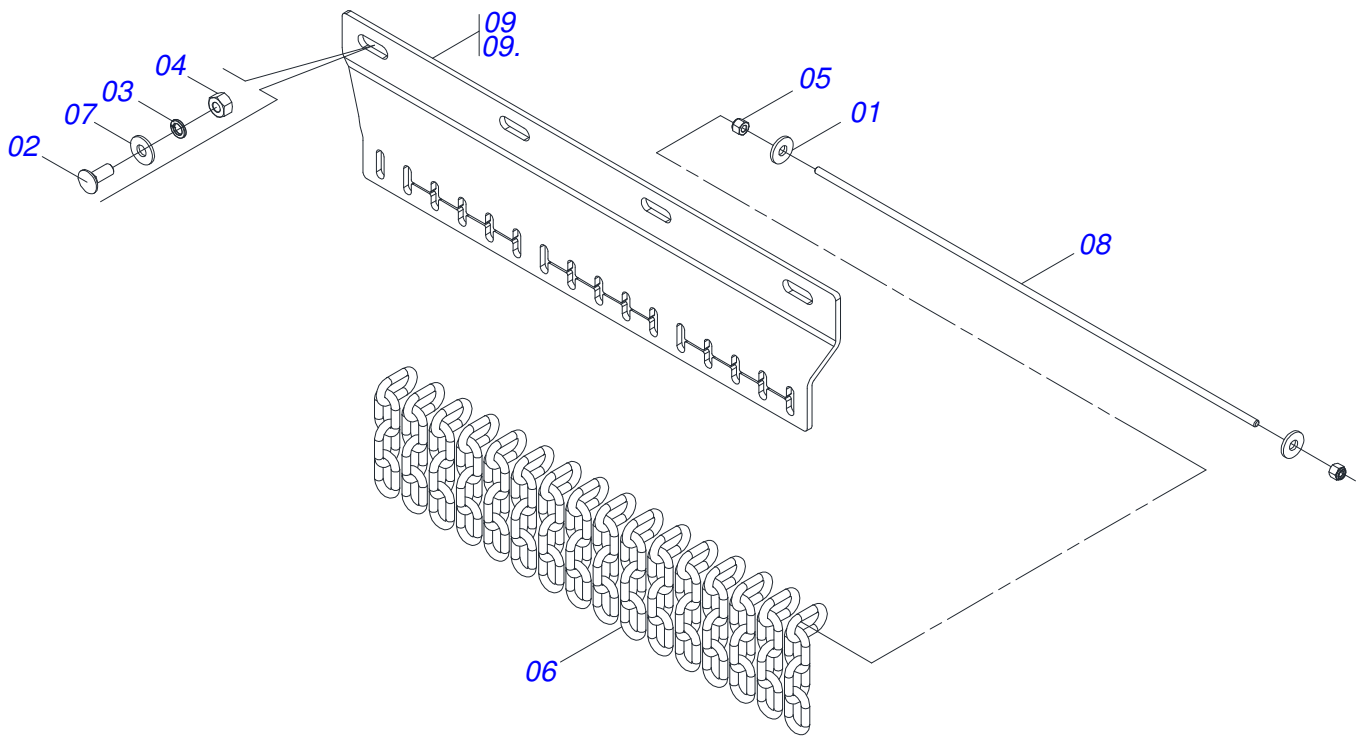
Item	Code	Description	QT
001	0521067953	FRAME	01
002	0511042158	RH MULTIPLIER	02
003	0511041608	DOUBLE DISTRIBUTOR	01
004	0503811328	BOLT	04
005	0503817867	BOLD	12
006	0503810023	PRESSURE WASHER	12
007	0503010014	3/4" NUT	12
008	0501055991	SUPPORT WITH ROTARY CUTTER BLADES	02
009	0502012453	SUPPORT FLANGE	01
010	0501017779	FLAT WASHER	01
011	0503011442	3/4" SPRING WASHER	02
012	0503010014	3/4" NUT	02
013	0501010536	KEYWAY SQUARE	04
014	0503010817	1-1/4" SELF-ADJUSTING NUT	02
015	0501010322	FLAT WASHER	04



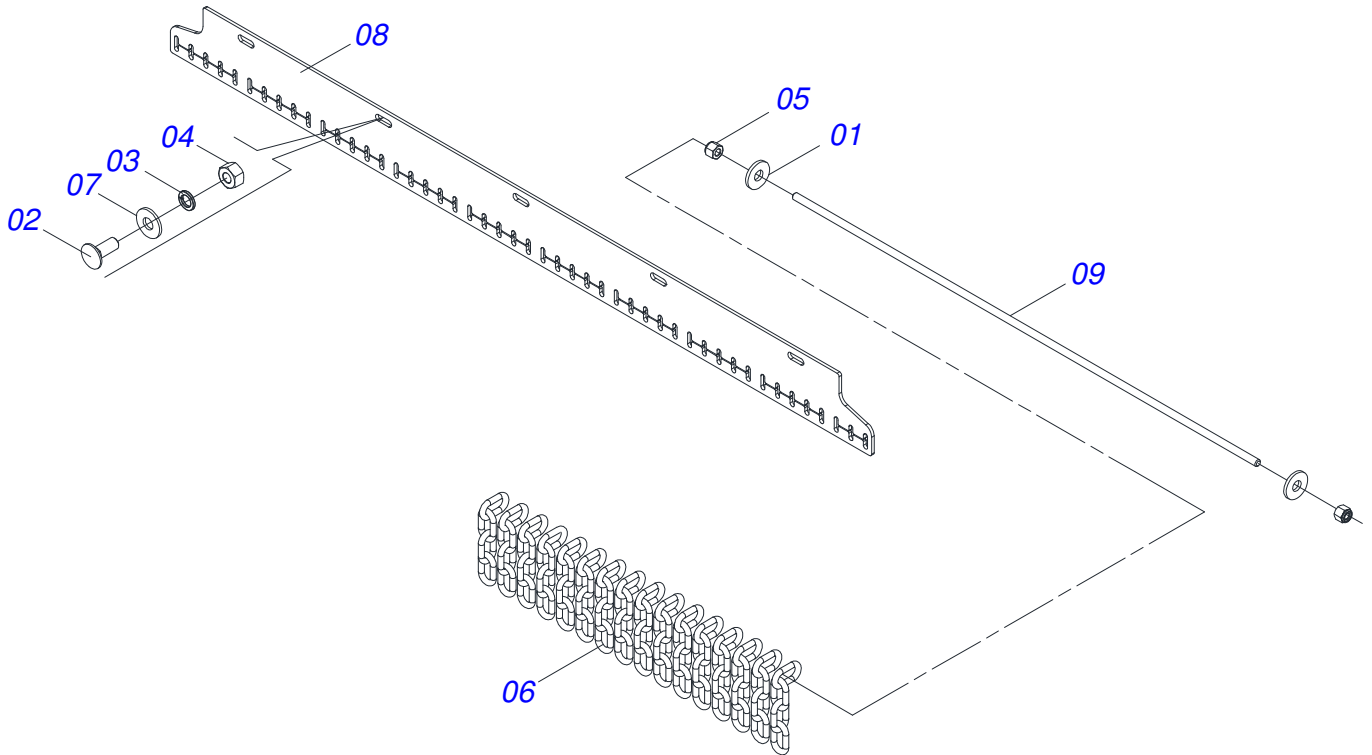
Item	Code	Description	QT
01	0503013471	60-2 X 21 CHAIN LINK + MENDING	04
02	0511067340	1.3/4 TERMINAL	04
03	0511066369	COUPLING 274,5 (RC2 3100 CL)	02
04	0501011600	1/2" X 1-1/4" BOLT	02
05	0501010243	1/2" X 1-1/2" BOLT	01
06	0511017302	FLAT WASHER	03
07	0503010019	1/2" SPRING WASHER	03
08	0503012682	1/2" BSW NUT	03
09	0511019204	35.4" LEFT PROTECTION	01
10	0511019205	35.4" RIGHT PROTECTION	01



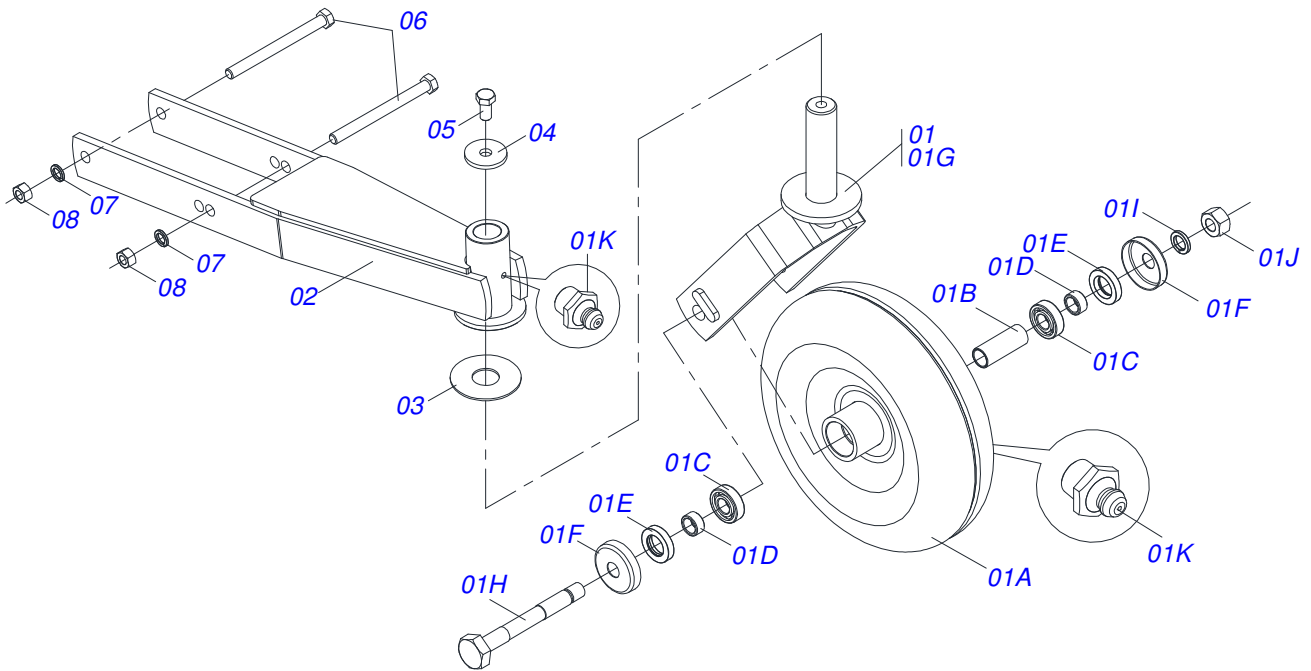
Item	Code	Description	QT
00	0521051443	RIGHT FRONT CURRENT PROTECTION	
00.	0521051444	LEFTH REAR CURRENT PROTECTION	
01	0501010984	FLAT WASHER	02
02	0501011600	1/2" X 1-1/4" BOLT	04
03	0503010019	1/2" SPRING WASHER	04
04	0503012682	1/2" BSW NUT	04
05	0503013759	NUT	02
06	0511011774	8,00 CHAIN 4 LINK	16
07	0511017302	FLAT WASHER	04
08	0581013920	CURRENT PROTECTION BAR	01
09	0581014911	RIGHT FRONT CHAIN PROTECTION BODY	01
09.	0581014912	LEFTH FRONT CHAIN PROTECTION BODY	01



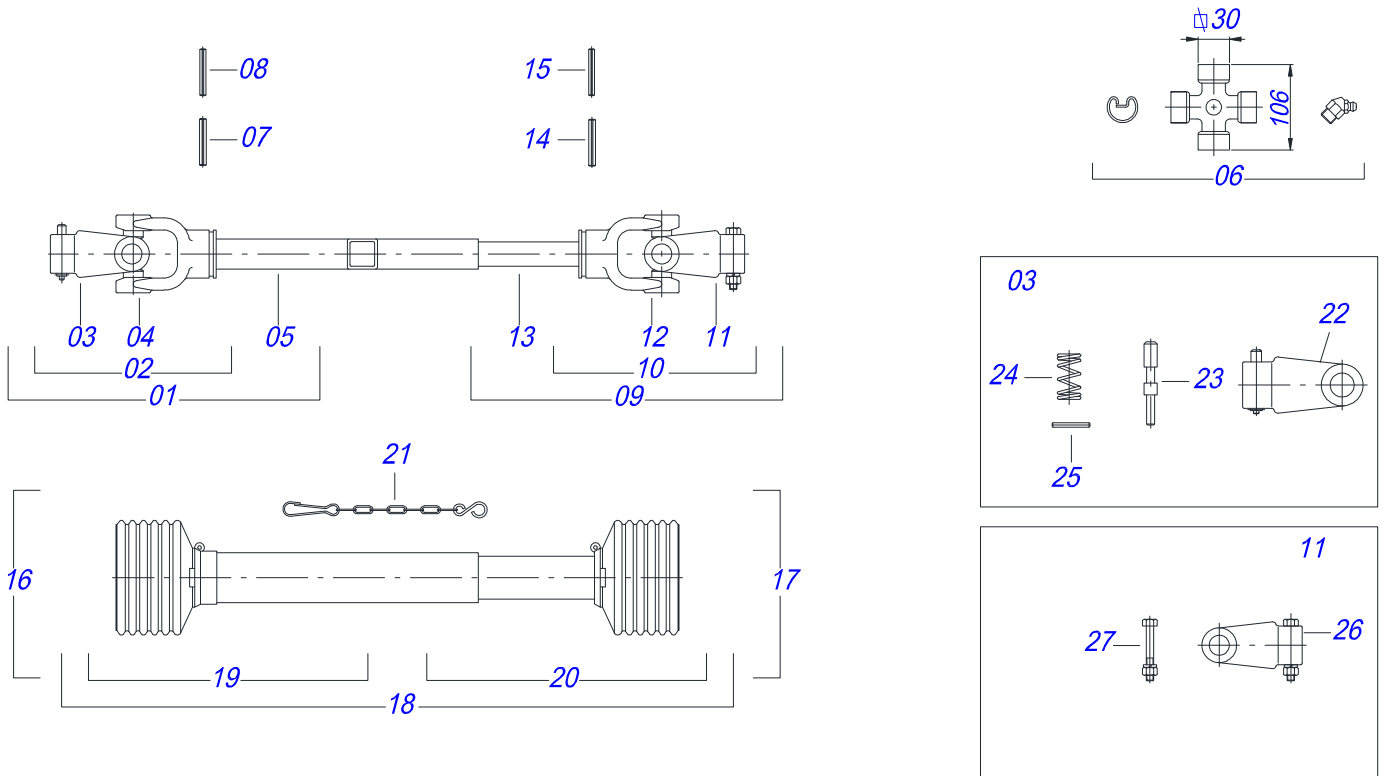
Item	Code	Description	QT
00	0521051347	RIGHT REAR CURRENT PROTECTION	
00.	0521051346	LEFTH REAR CURRENT PROTECTION	
01	0501010984	FLAT WASHER	02
02	0501011600	1/2" X 1-1/4" BOLT	04
03	0503010019	1/2" SPRING WASHER	04
04	0503012682	1/2" BSW NUT	04
05	0503013759	NUT	02
06	0511011774	8,00 CHAIN 4 LINK	17
07	0511017302	FLAT WASHER	04
08	0581014718	CURRENT PROTECTION BAR	01
09	0581014719	RIGHT REAR CHAIN PROTECTION BODY	01
09.	0581014717	LEFTH REAR CHAIN PROTECTION BODY	01



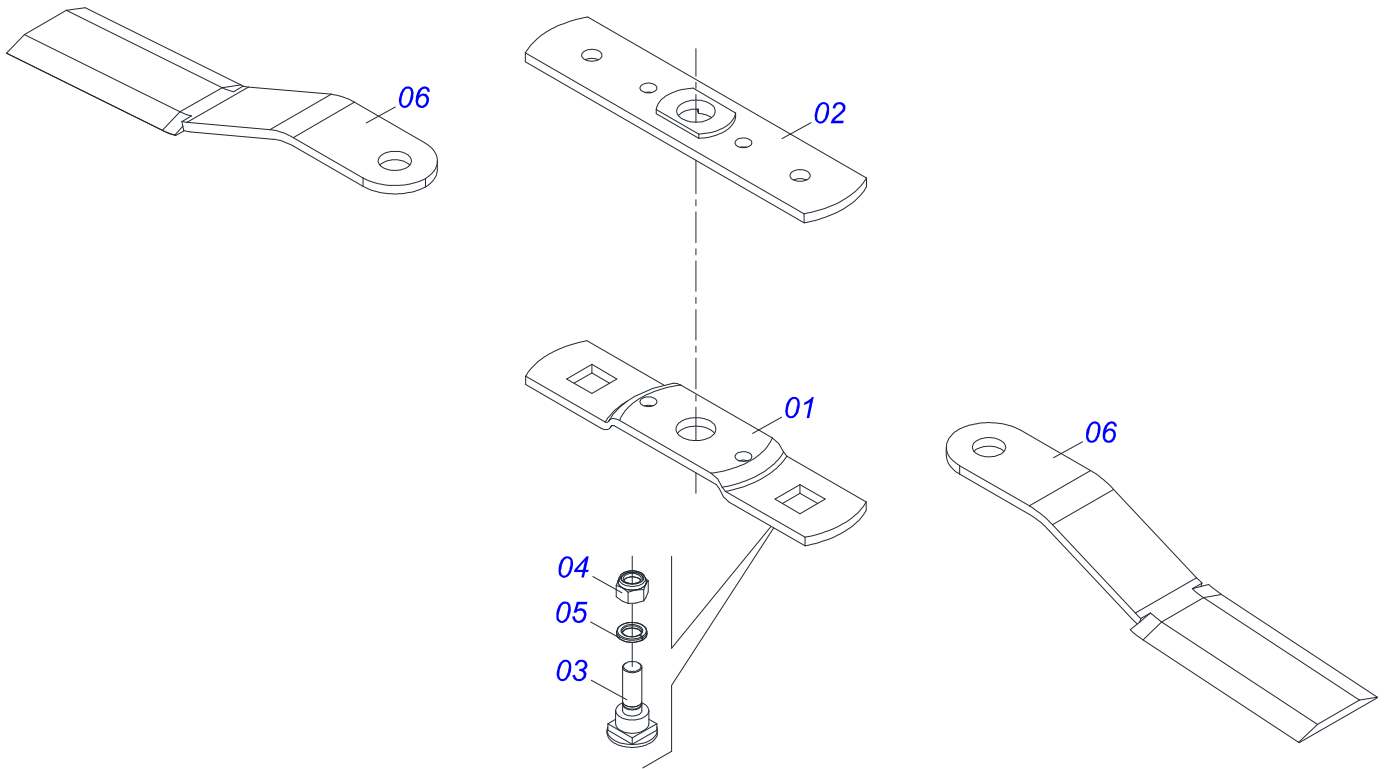
Item	Code	Description	QT
001	0501010984	FLAT WASHER	02
002	0501011600	1/2" X 1-1/4" BOLT	03
003	0503010019	1/2" SPRING WASHER	03
004	0503012682	1/2" BSW NUT	03
005	0503013759	NUT	02
006	0511011774	8,00 CHAIN 4 LINK	48
007	0511017302	FLAT WASHER	03
008	0581014715	CHAIN PROTECTION BODY	01
009	0581014716		01



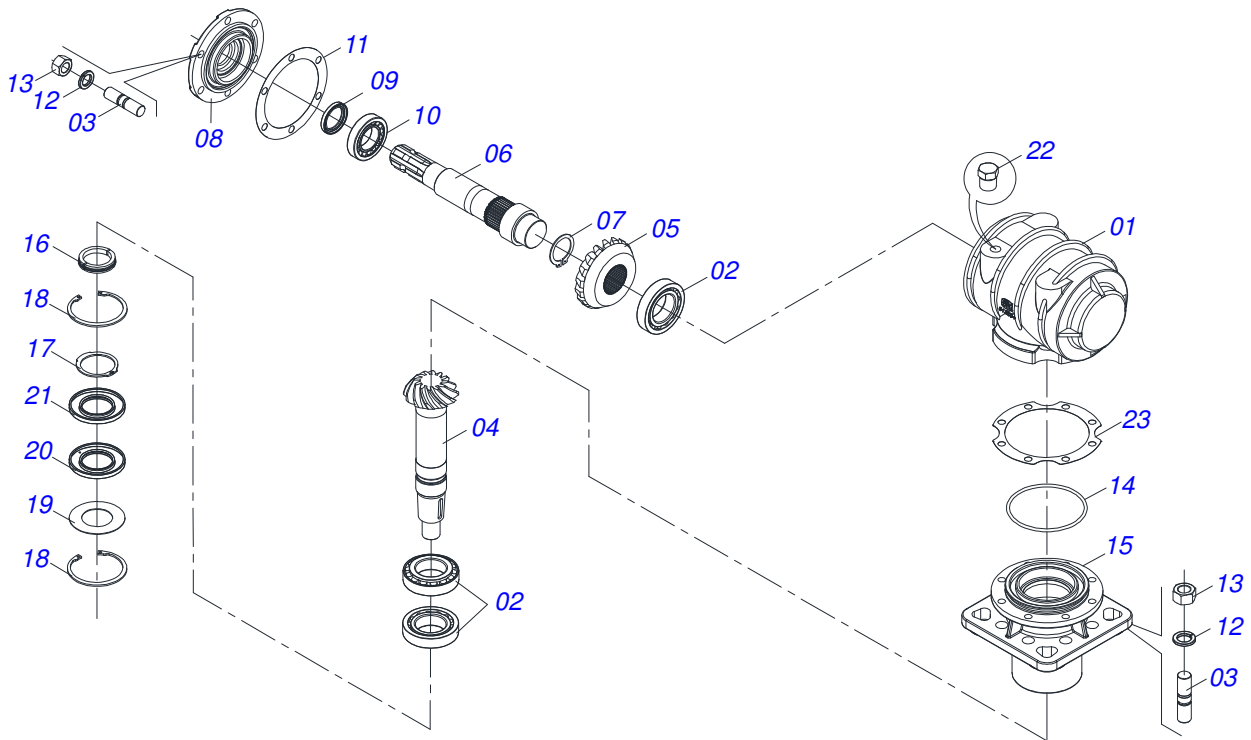
Item	Code	Description	
01	0501058460	CARRYING WHEELS	01
01A	0501063309	13.8" X 4.33" WHEEL ASSY	01
01B	0521010460	0.9" X 1.1" X 2.9" SLEEVE	01
01C	0503010269	6204 BALL BEARING	02
01D	0521010487	SPACER WASHER	02
01E	0503010268	00262-B SEAL	02
01F	0511014254	DUST CLOAK	02
01G	0501065266	WHELL FORK	01
01H	0501017143	WHEEL AXLE	01
01I	0503011442	3/4" SPRING WASHER	01
01J	0503010014	3/4" NUT	01
01K	0503010002	1800 GREASE FITTING	02
02	0521065281	WHEEL SUPPORT	01
03	0511013239	FLAT WASHER	01
04	0511010721	FLAT WASHER	01
05	0503010962	5/8" X 1-1/4" BOLT	01
06	0503010795	5/8" X 7" BOLT	02
07	0503010027	SPRING WASHER	02
08	0503010013	5/8" NUT	02



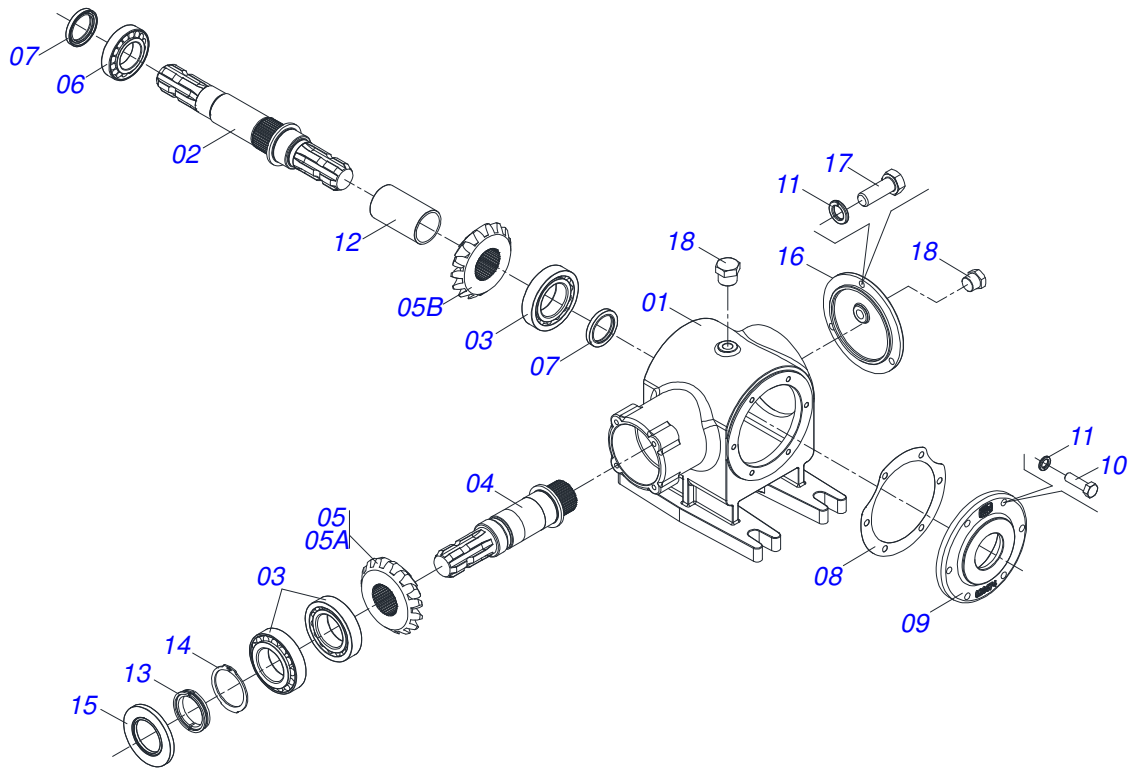
Item	Code	Description	
01	0501051707	UNIVERSAL JOINT WITH SLEEVE	01
02	0501051708	UNIVERSAL JOINT	01
03	0501050334	1-60 TERMINAL WITH QUICK HITCH	01
04	0502011422	2-60 TERMINAL	01
05	0511010332	23" X 1.8" SQUARE SLEEVE	01
06	0503010837	CARDAN CROSSPIECE	02
07	0503010843	0.4" X 3.3" SPRING PIN	01
08	0503011878	0.2" X 3.3" SPRING PIN	01
09	0501051709	UNIVERSAL JOINT WITH SHAFT	01
10	0501051710	UNIVERSAL JOINT	01
11	0501052516	T6-60 TERMINAL WITH SCREW	01
12	0502011424	3-60 TERMINAL	01
13	0511010326	1.4" X 23" SQUARE SHAFT	01
14	0503011069	0.4" X 2.8" SPRING PIN	01
15	0503011805	0.2" X 2.8" SPRING PIN	01
16	0501051705	UNIVERSAL JOINT WITH SLEEVE/PROT	01
17	0501051706	UNIVERSAL JOINT WITH AXLE/PROT	01
18	0503012083	PROTECTION ASSY	01
19	0503012084	PROTECTION FOR UNIV JOINT AND SLEEV	01
20	0503012085	PROTECTION FOR UNIV JOINT AND AXLE	01
21	0503012023	CHAIN FOR UNIV JOINT PROTECTION	02
22	0502010568	1-60 STRIATED 1.3/8" TERMINAL	01
23	0521010638	0.5" X 3.3" QUIC HITCH COUPL SHAFT	01
24	0503030518	0.5"X1.0"X 0.1" COMPRESSION SPRING	01
25	0503010838	0.1" X 0.8" SPRING PIN	01
26	0502010830	6-60 STRIATED 1.3/8" TERMINAL	01
27	0501047759	1/2" X 3-1/2" BOLT ASSY	01



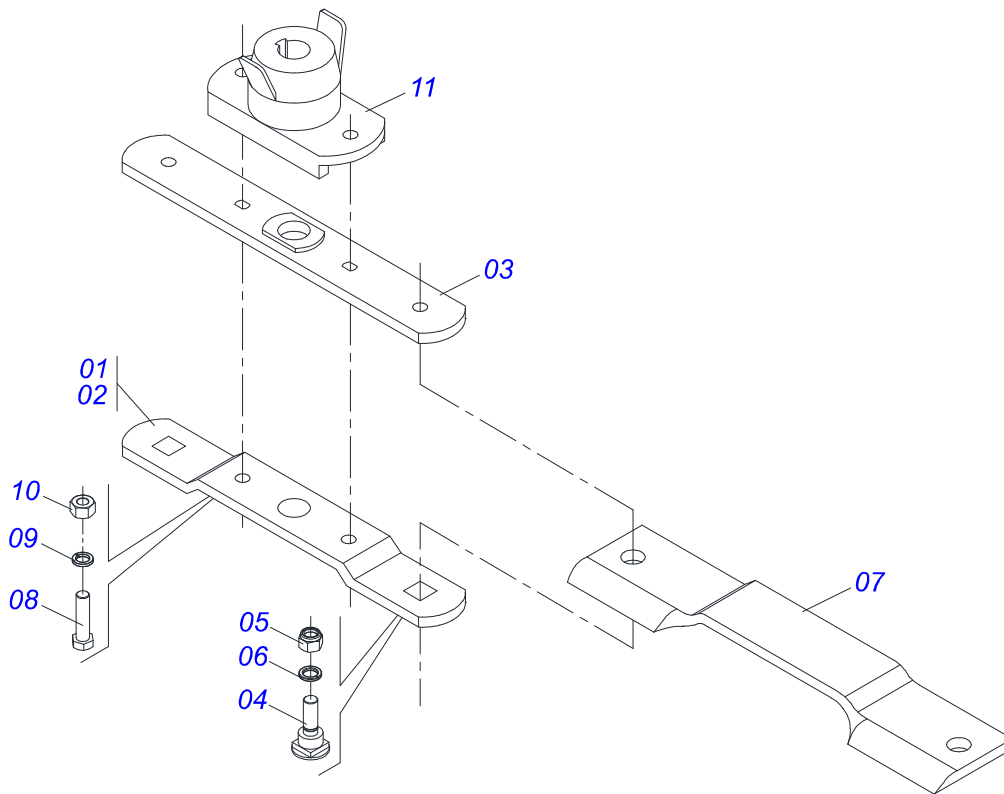
Item	Code	Description	QT
001	0561017368	ROTARY LOWER SUPPORT	01
002	0561017308	SUPPORT UPPER BASE	01
003	0511019000	BOLT	02
004	0503010812	7/8" SELF-ADJUSTING NUT	02
005	0503011447	SPRING WASHER	02
006	0622400057	21.6" X 3.94" X 0.5" ROTARY CUTTER	02



Item	Code	Description	
01	0502012204	SPEED MULTIPLIER BOX	01
02	0503012418	32211 ROLLER BEARING	03
03	0503030084	1/2" X 1/2" X 2.0" STUD	14
04	0503031917	12Z LOWER CONICAL GEAR	01
05	0503031918	18Z CONICAL GEAR	01
06	0503031916	UPPER AXLE	01
07	0503014772	501056 CLAMPING RING (FOR AXLE)	01
08	0502012203	RH COVER MULTIPLIER	01
09	0503012103	5301 -BSEAL	01
10	0503010750	30209 BALL BEARING	01
11	0503030783	7.1" X 5.3" X 0.008" JOINT	06
12	0503011440	SPRING WASHER	06
13	0503010028	1/2" NUT	06
14	0503010286	2-355 N 3006-9B O-RING	01
15	0502012206	LOWER HUB	01
16	0531019302	LOCK RING	01
17	0503012311	501065 RENO RING	01
18	0503011420	502100 CLAMPING RING (FOR AXLE)	02
19	0531018823	FLAT WASHER	01
20	0503013211	6016 BRG SEAL	01
21	0503013201	ARCA 6016 BRG SEAL	01
22	0503031604	1/2" BSP PLUG	01
23	0503030785	7.9" X 5.9" X 0.008" JOINT	03



Item	Code	Description	
01	0502012178	DOUBLE DISTRIBUTOR BOX	01
02	0503033141	LARGER AXLE	01
03	0503012418	32211 ROLLER BEARING	03
04	0503033142	SMALLER AXLE S-0503 EG-1935	01
05	0503060607	GEAR ASSY FOR DOUBLE DISTRIBUTOR	01
05A	0503033139	RIGHT 15Z CONICAL GEAR	01
05B	0503033140	15Z LEFT CONICAL GEAR	01
06	0503010750	30209 BALL BEARING	01
07	0503012103	5301 -BSEAL	02
08	0503030228	7.1" X 5.3" X 0.008" JOINT	01
09	0502020674	DISTRIBUTOR DOUBLE COVER	01
10	0503010751	C3/8" X 1.1/4" HEX BOLT G.5	06
11	0503011443	SPRING WASHER	09
12	0551018078	SLEEVE FLANGE BALL BEARING	01
13	0531019302	LOCK RING	01
14	0503012311	501065 RENO RING	01
15	0503013201	ARCA 6016 BRG SEAL	01
16	0502020160	COVER WITH DOUBLE DISTRIBUTOR	01
17	0503010237	3/8" X 1" BOLT	03
18	0503010856	OIL PLUG	02



Item	Code	Description	QT
01	0501056326	SUPPORT WITH ROTARY CUTTER BLADES	01
02	0561017368	ROTARY LOWER SUPPORT	01
03	0561017308	SUPPORT UPPER BASE	01
04	0511019000	BOLT	02
05	0503010812	7/8" SELF-ADJUSTING NUT	02
06	0503011447	SPRING WASHER	02
07	0622400057	21.6" X 3.94" X 0.5" ROTARY CUTTER	02
08	0503010901	3/4UNC 3.1/2 BOLT	02
09	0503010023	SPRING WASHER	02
10	0503010014	3/4" NUT	02
11	0502012453	SUPPORT FLANGE	01



email: civemasa@civemasa.com.br

www.civemasa.com.br

Phone: +55 16.3382.8222

Fax: +55 16.3382.8355

MARCHESAN IMPLEMENTOS E MÁQUINAS AGRÍCOLAS "TATU" S.A.

Av. Marchesan, 1979 - Post Office box, 131 - Cep 15994-900 - Matão - Sp - Brasil

CNPJ 52.311.289/0001-63 | Inst. Est.441.000.151.114

Technical Publications: Elaboration

MARINA PEREZ NIZA

Technical Publications: Revision

MARINA PEREZ NIZA

Contact Catálogo:

E-mail = jgaspari@marchesan.com.br

**ORIGINAIS PARTS
CIVEMASA**