

DISK HARROWS

HYDRAULIC GVM - 14/16/18/20/24 D

Code: 0501092028
Series: S-1297
Revision: 00
Revision Date: OUTUBRO/2017

PARTS CATALOGUE

CIVEMASA




PRODUCTS

Code	Description
0120030010	GVM 14HIDX34X9,0 REC 6430334 S-1297
0120030003	GVM 16HIDX32X9,0 REC DESMON 6430150
0120030040	GVM 16HIDX34X9,0 REC S-1297
0120030004	GVM 18HIDX32X9,0 REC 6430233 S-1297
0120030007	GVM 20HIDX34X9,0 REC 6430435 S-1297
0120030009	GVM 24HIDX34X9,0 REC DESMON 6430408

ATTENTION: IMPORTANT

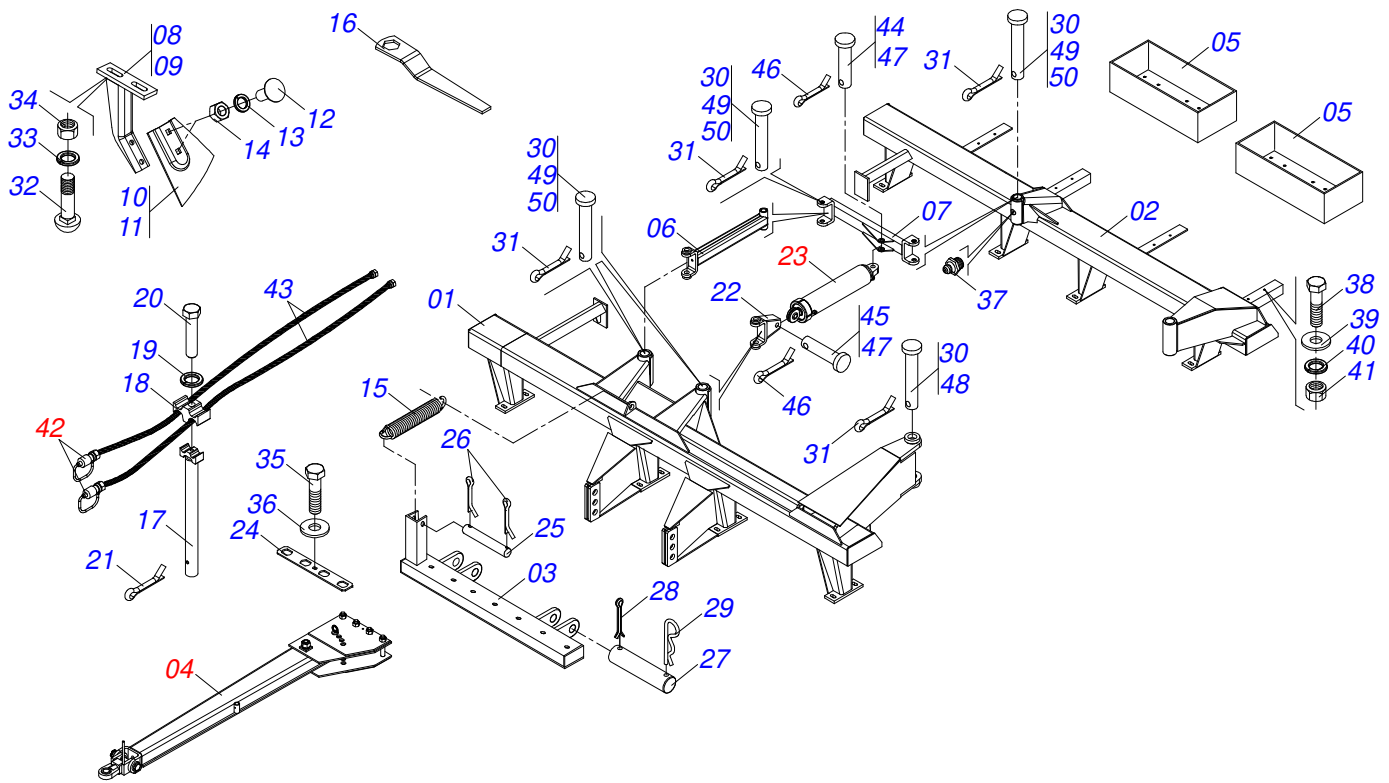
CIVEMASA reserves the right to improve and/or modify the technical features of its products, without obligation to do the same with those products already sold and without prior knowledge of the dealer or the consumer. The photos are only illustrative.





INDEX

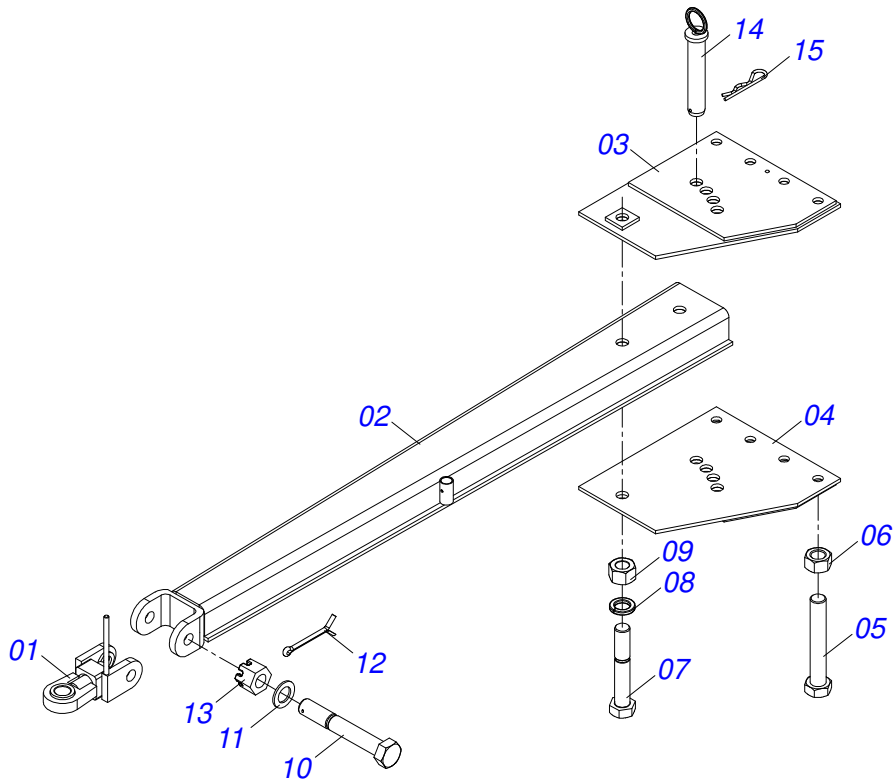
0909093563	FRAME ASSY	1
0511052437	20 - 24 DISCS AXLE ASSY	2
0511051001	14 DISCS DRAWBAR ASSY	3
0511050593	14 DISCS DRAWBAR ASSY	4
0501048683	HIDRAULIC CYLINDER	5
0511058408	HYDRAULIC CYLINDER	6
0501048894	HYDRAULIC CYLINDER	7
0909093566	FRONT SECTION	8
0909093567	REAR SECTION	9
0501048557	BEARING OIL	10
0501053834	MALE QUICK COUPLER	11



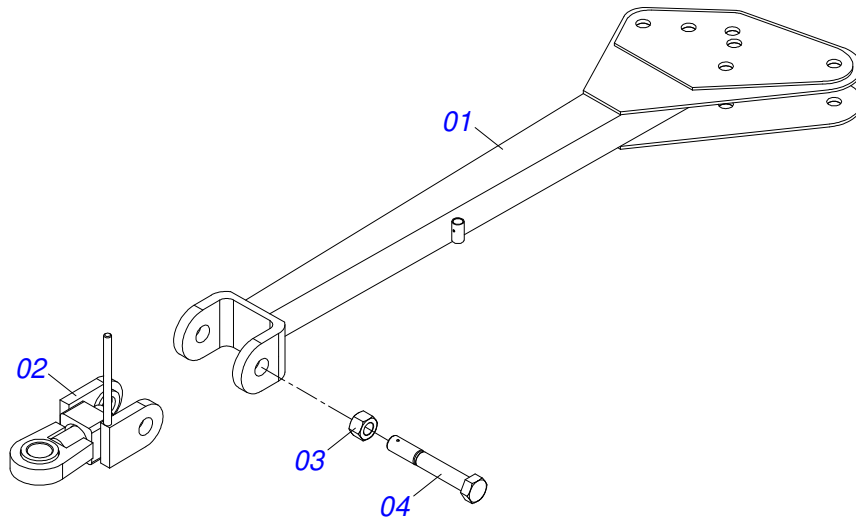
Item	Code	Description	See page	14	16	18	20	24
01	0511061205	FRONT FRAME		01	00	00	00	00
01.	0511061277	FRONT FRAME		00	01	00	00	00
01..	0511061306	FRONT FRAME		00	00	01	00	00
01...	0511061534	FRONT FRAME		00	00	00	01	00
01....	0511061536	FRONT FRAME		00	00	00	00	01
02	0511061204	REAR FRAME		01	00	00	00	00
02.	0511061278	REAR FRAME		00	01	00	00	00
02..	0511061305	REAR FRAME		00	00	01	00	00
02...	0511061532	REAR FRAME		00	00	00	01	00
02....	0511061535	REAR FRAME		00	00	00	00	01
03	0511061208	TRACTION BAR		01	00	00	00	00
03.	0511061281	TRACTION BAR		00	01	01	00	00
03..	0511060167	TRACTION BAR		00	00	00	01	01
04	0511051001	14 DISCS DRAWBAR ASSY	3	01	00	00	00	00
04.	0511050593	14 DISCS DRAWBAR ASSY	4	00	01	01	00	00
04..	0511052437	20 - 24 DISCS AXLE ASSY	2	00	00	00	01	01
05	0511060170	WEIGHT BOX		01	02	02	02	02
06	0511061207	ARM FRONT		01	00	00	00	00
06.	0511061280	FRONT ARM		00	01	01	00	00
06..	0521066309	FRONT ARTICULATED ARM		00	00	00	01	01
07	0511061206	REAR ARM		01	00	00	00	00
07.	0511061279	REAR ARM		00	01	01	00	00
07..	0511060169	REAR ARTICULATED ARM		00	00	00	01	01
08	0511060138	FRONT CLEANER SUPPORT		07	08	09	10	12
09	0511060139	REAR CLEANER SUPPORT		07	08	09	10	12
10	0521013678	FRONT CLEANER		07	08	09	10	12
11	0521013679	REAR CLEANER		07	08	09	10	12
12	0503012195	5/8" NUT		28	32	36	40	48
13	0503010027	5/8" SPRING WASHER		28	32	36	40	48
14	0503010013	5/8" NUT		28	32	36	40	48
15	0503031498	SPRING		01	00	00	00	00

FRAME ASSY

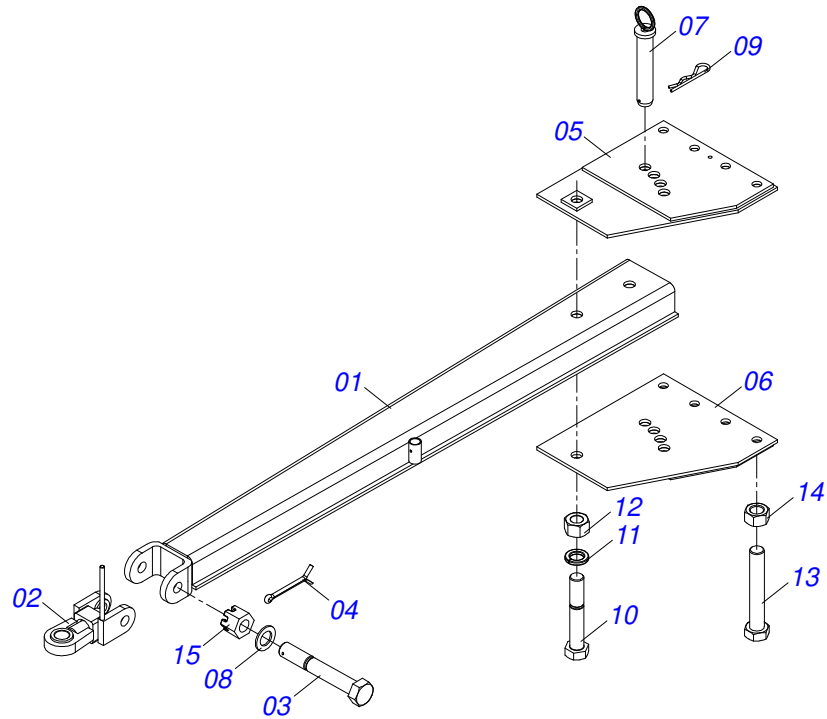
Item	Code	Description	See page	14	16	18	20	24
15.	0503031511	SPRING		00	01	01	01	01
16	0501011431	1-3/4" GANG BOLT WRENCH		02	02	02	02	02
17	0511060205	SUPPORT HOSE CNS 20104N		01	01	01	01	01
18	0502012702	BODY SUPPORT CLAMP		01	03	02	02	02
19	0503010180	7/16" SPRING WASHER		01	03	00	02	02
20	0503012555	SCREW 7/16 UNC X 2 CS RT G.7 ZN		01	03	02	02	00
21	0503012215	5/16" X 2-1/2" COTTERPIN		01	01	00	01	01
22	0511060269	HYDRAULIC CYLINDER SUPPORT		01	00	00	00	00
22.	0511061293	PISTON SUPPORT		00	01	01	00	00
22..	0511060160	PISTON SUPPORT		00	00	00	01	01
23	0511058408	HYDRAULIC CYLINDER	6	01	00	00	00	00
23.	0501048894	HYDRAULIC CYLINDER	7	00	01	01	00	00
23..	0501048683	HIDRAULIC CYLINDER	5	00	00	00	01	01
24	0521015987	LATCHES		00	01	01	00	00
24.	0521013774	GVMF LOCK		00	00	00	01	01
25	0521013816	PIN SEM HEAD PN-052 3090523 ZN		01	00	00	00	00
25.	0521014915	PIN SEM HEAD PN-090 3090909		00	01	01	00	00
25..	0521014140	PIN SEM HEAD PN-060 3090606 ZN		00	00	00	01	01
26	0503010362	1/8" X 1.1/4" COTTERPIN		01	01	01	02	01
27	0521013841	WITHOUT HEADS PIN PN-078 TRACTION		02	00	00	00	00
27.	0521013704	PIN FREE HEAR		00	02	02	02	02
28	0503010010	1/4" X 2.1/2" COTTERPIN		02	02	02	02	02
29	0503031470	TM 251 X 4,0 STAPLE		02	03	02	03	02
30	0511060145	PIN		00	01	01	05	05
31	0503010073	3/8 X 3-1/2 COTTERPIN		05	01	01	05	05
32	0503012195	5/8" NUT		28	32	36	00	48
32.	0503012362	3/4" X 1-3/4" FRENCH BOLT		00	00	00	40	00
33	0503010023	3/4" SPRING WASHER		00	00	00	40	00
33.	0503010027	5/8" SPRING WASHER		28	32	36	00	48
34	0503010013	5/8" NUT		28	32	36	00	48
34.	0503012183	SNC 3/4" ZIN 1K03097 NUT		00	00	00	40	00
35	0501010108	5/8" X 1" BOLT		00	00	01	01	01
36	0501012140	FLAT WASHER		00	01	01	01	01
37	0503010002	1800 GREASE FITTING		03	11	04	09	09
38	0503010834	1/2 X 1 BOLT		08	16	16	16	16
39	0511017302	FLAT WASHER		08	16	16	16	16
40	0503010019	1/2" SPRING WASHER		08	16	16	16	16
41	0503010060	1/2" NUT		08	16	16	16	16
42	0501053834	MALE QUICK COUPLER	11	02	02	02	02	02
43	0501080651	3/8 X 5400 TM-TM HOSE		02	00	00	00	00
43.	0501080802	3/8 X 6200 TM-TM HOSE		00	02	02	02	02
44	0521014207	PINE WITH HEAD		00	00	00	01	01
45	0521014208	PINE WITH HEAD		00	00	00	01	01
46	0503010010	1/4" X 2.1/2" COTTERPIN		02	00	00	02	02
47	0521013742	PIN		02	01	01	00	00
48	0511060259	PIN		01	00	00	00	00
49	0511060177	PIN		04	00	00	00	00
50	0511060144	PIN AVEC TÊTE		00	04	04	00	00



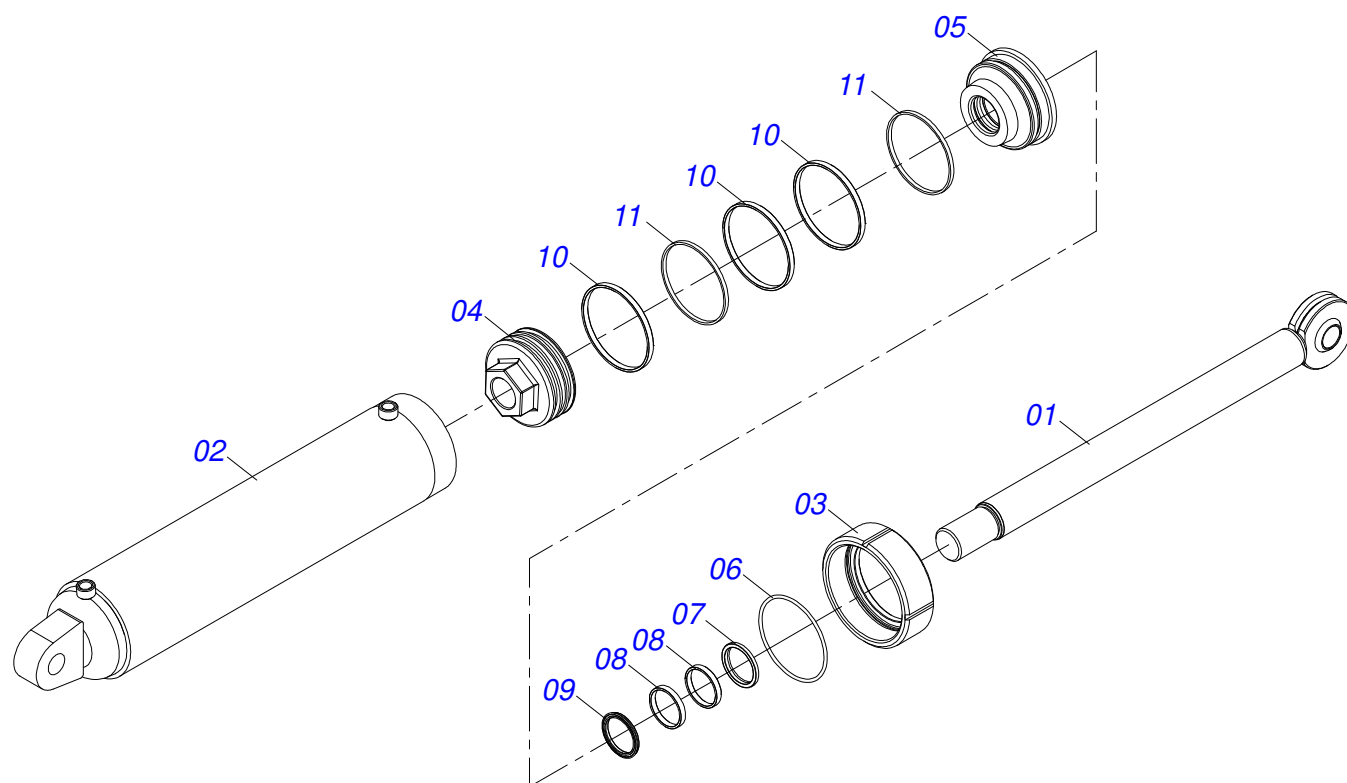
Item	Code	Description	See page	20	24
01	0511063351	HITCH	01	01	
02	0511060161	AXLE ASSY	01	01	
03	0511060171	PLATE HITCH	01	01	
04	0511060172	PLATE HITCH	01	01	
05	0503012244	1-1/4" X 7-3/4" BOLT	04	04	
06	0503012181	1.1/4" NUT	04	04	
07	0503012258	1-1/2" X 9" BOLT	01	01	
08	0503010069	1.1/2" SPRING WASHER	01	01	
09	0503012259	UNC1.1/2" ZIN 1K03155 NUT	01	01	
10	0521013739	BOLT HARNESS	01	01	
11	0501012916	FLAT WASHER 38,50 X 66 X 4,75 ZN	01	01	
12	0503012213	1/4" COTTERPIN	01	01	
13	0502011592	CASTLE NUT	01	01	
14	0511060146	PIN FIXER	01	01	
15	0503031479	STAPLE	01	01	



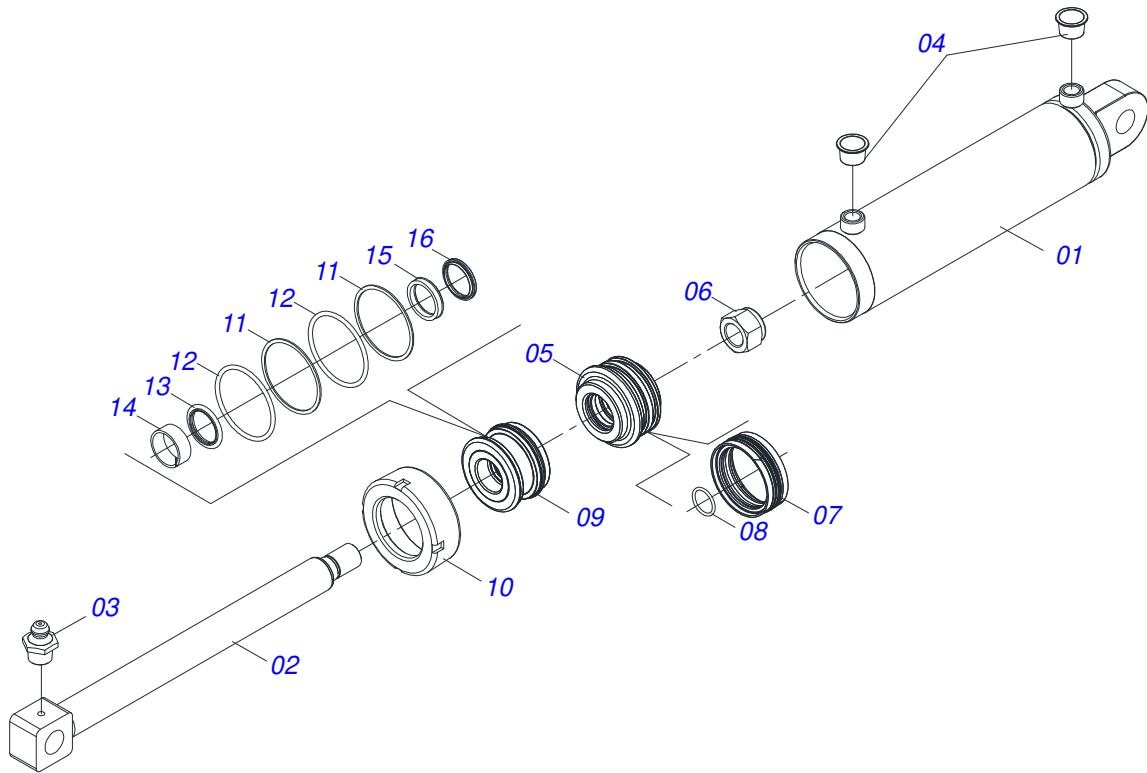
Item	Code	Description	See page	14
001	0511061203	DRAWBAR		01
002	0511060639	HOOK HITCH		01
003	0521014518	HITCH FIX NUT		01
004	0521014427	BOLT BORED		01



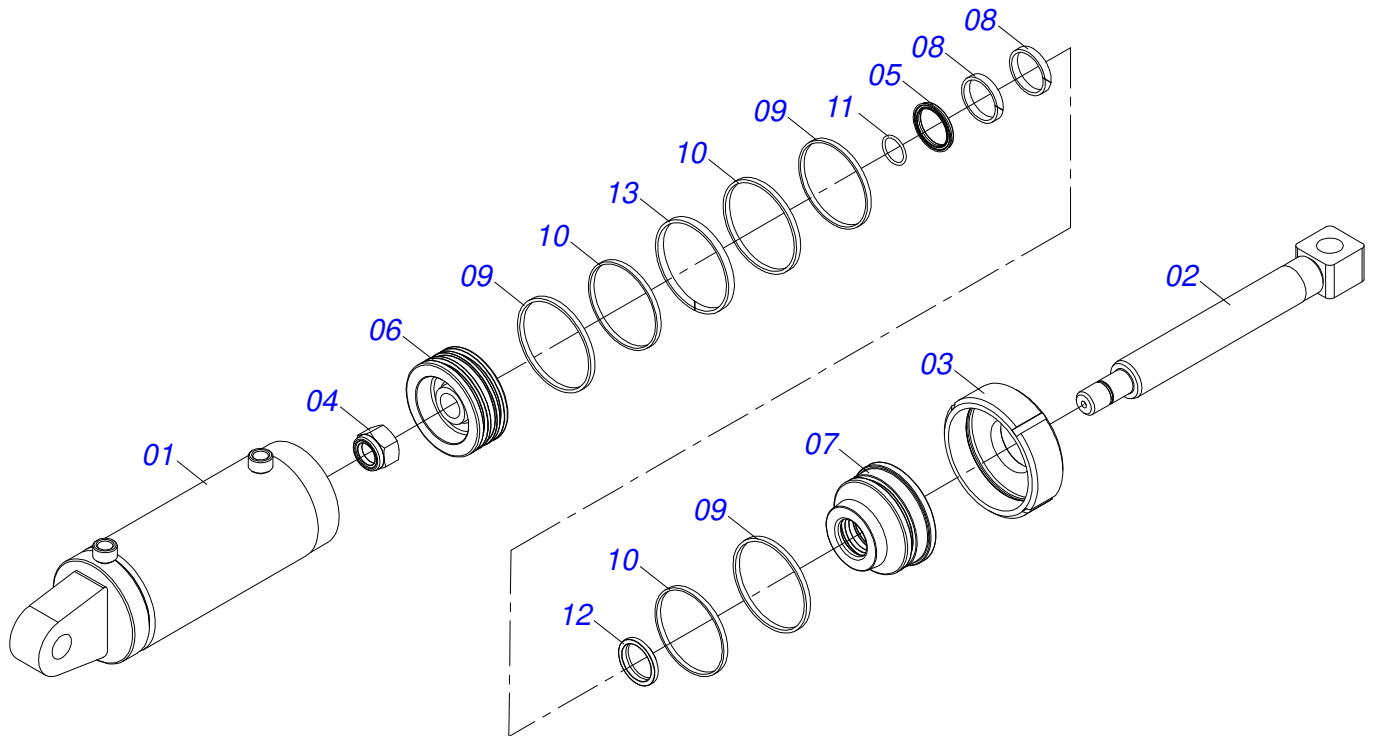
Item	Code	Description	See page	16	18
01	0511061284	DRAWBAR		01	01
02	0511063351	HITCH		01	01
03	0521013739	BOLT HARNESS		01	01
04	0503012213	1/4" COTTERPIN		01	01
05	0511061282	HITCH PLATE		01	01
06	0511061283	HITCH PLATE		01	01
07	0511061217	FIXING PIN		01	01
08	0501017779	32 X 60 X 4.75 FLAT WASHER		01	01
09	0503031479	STAPLE		01	01
10	0503012244	1-1/4" X 7-3/4" BOLT		01	01
11	0503010070	SPRING WASHER		01	01
12	0503012181	1.1/4" NUT		01	01
13	0501010060	1" X 6-1/2" BOLT		04	04
14	0503012182	1" NUT		04	04
15	0502011592	CASTLE NUT		01	01



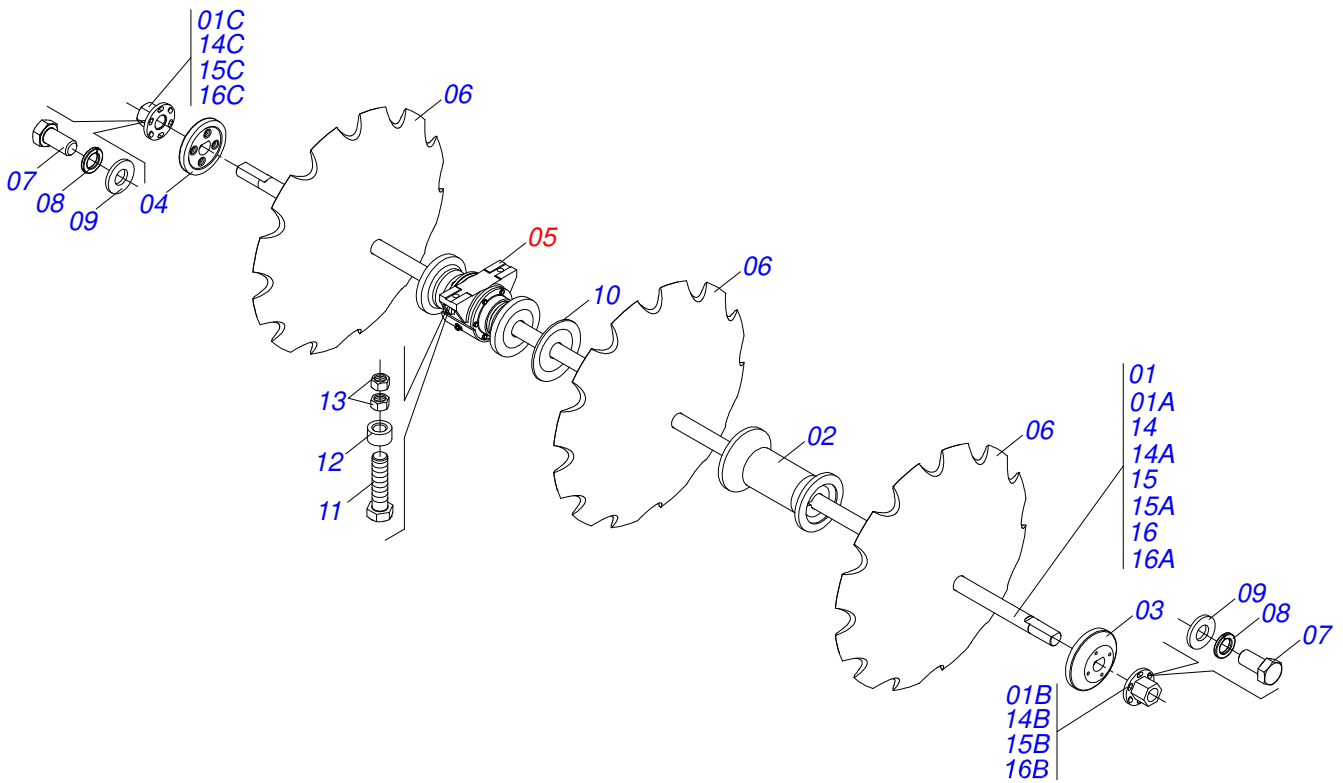
Item	Code	Description	See page	QT
01	0511060147	ROD ASSY		01
02	0511060148	ASSY CASE		01
03	0541010615	MOVABLE COVER		01
04	0502011586	PISTON		01
05	0502011799	TURNBUCLE GUIDE		01
06	0503010704	2-357 N 3006-9B O'RING		01
07	0503010287	D-2500 SCRAPER RING		01
08	0503012497	RING (TEFLON)		02
09	0503012501	MOLYTHANE PACKING 2500-2500		01
10	0503012825	RING (TEFLON) CH 61100		03
11	0503012791	RUBBER RING		02
12	0511034337	CYLINDER REPAIR KIT (0501048683)		01



Item	Code	Description	See page	QT
001	0511062246	CYLINDER CASE		01
002	0511062247	TURNBUCKLE		01
003	0503010002	1800 GREASE FITTING		01
004	0503030384	CON PLUG N-001		02
005	0581010837	PISTON		01
006	0503010817	1.1/4" SELF LOCKING NUT		01
007	0503015633	SELEMASTER SEALING		01
008	0503018029	2-217 O-RING		01
009	0581010302	RING OF SUPPORT		01
010	0502012822	101.60 END CAP		01
011	0503011061	8-342 BACK-UP RING		02
012	0503010338	2-342 N 3006-9B O-RING		02
013	0503017936	RING		01
014	0503017938	RING GUIDE		01
015	0503017937	GASKET		01
016	0503010761	D-1750 SCRAPER RING		01

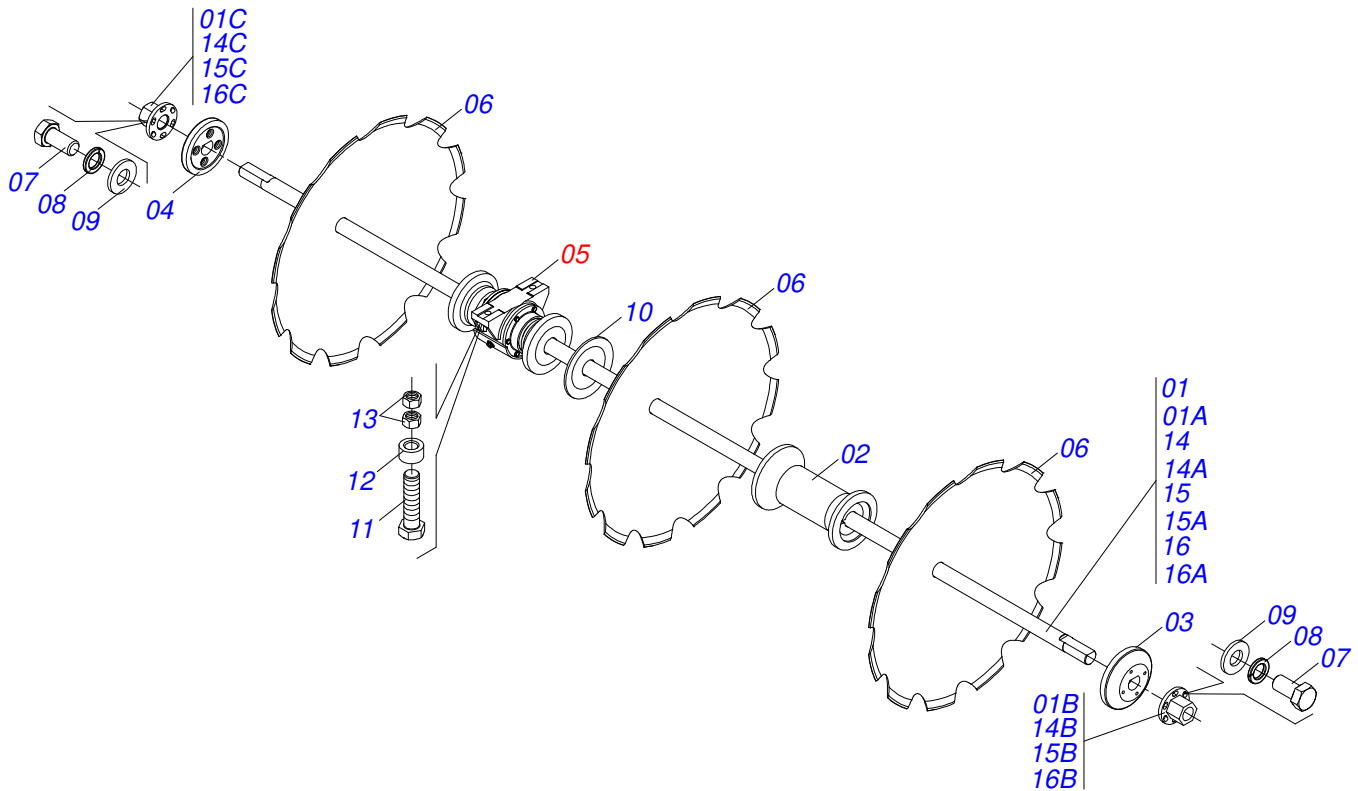


Item	Code	Description	See page	QT
01	0511061525	CYLINDER CASE		01
02	0511061550	TURNBUCLELE		01
03	0502011783	BOX COVER		01
04	0503010817	1.1/4" SELF LOCKING NUT		01
05	0503010160	2500 2000 GASKET		01
06	0502011798	RING SUPPORT		01
07	0502011797	HASTE GUIDE		01
08	0503012513	RING		02
09	0503012592	RING (TEFLON)		03
10	0503012593	RUBBER RING		03
11	0503012500	RING		01
12	0503012857	RING		01
13	0503010039	D-2000 SCRAPER RING		01

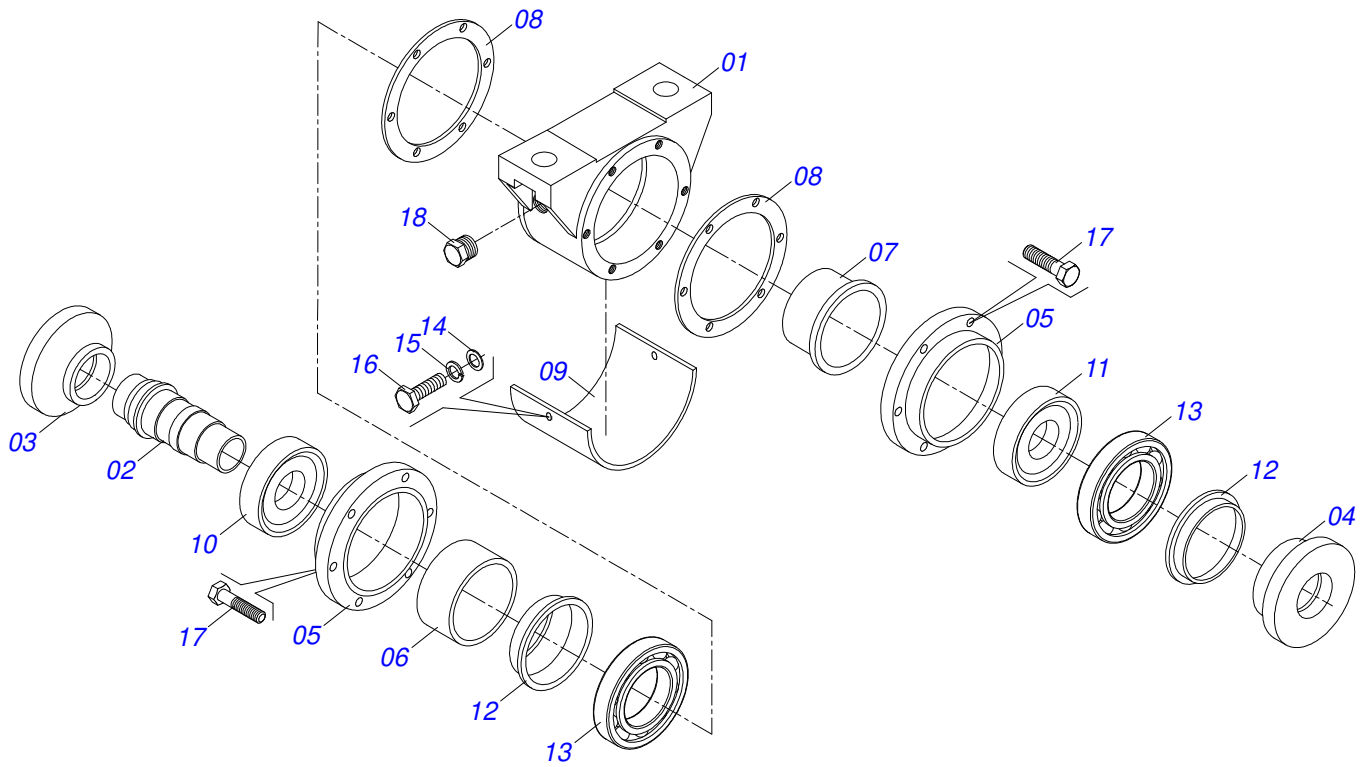


Item	Code	Description	See page	12	14	16	18	20	24
01	0511050172	DISC AXLE 2" UNC X 1682 WITH NUT		00	00	00	01	02	00
01A	0521014510	DISC AXLE		00	00	00	01	02	00
01B	0502011580	RIGHT NUT		00	01	00	01	02	00
01C	0502011581	LEFT NUT		00	01	00	02	02	00
02	0502011579	SPACER		06	03	02	03	04	06
03	0502011577	OUTER FLANGE		01	01	02	02	02	02
04	0502011578	INNER FLANGE		01	01	02	02	02	02
05	0501048557	BEARING OIL	10	04	03	04	04	04	04
06	0602044165	32" X 0.3" NOTCHED DISC BLADE		12	00	00	09	10	00
06.	0602046009	34 X 9 MM NOTCHED DISC		00	07	08	00	10	12
07	0503010920	1/2" X 1.1/2" BOLT		00	02	04	04	04	04
08	0503010019	1/2" SPRING WASHER		00	02	04	04	04	04
09	0501010937	13.5 X 28 X 3 FLAT WASHER		00	02	04	04	04	04
10	0521013670	CHUCK		00	03	02	02	02	02
11	0503010901	3/4UNC 3.1/2 BOLT		00	00	08	08	08	00
11.	0503013331	3/4 UNC X 4.1/2 C S G.5 ZN BOLT		00	06	00	00	00	08
12	0521013710	WASHER SEMIMAN		00	06	08	08	08	08
13	0503012183	SNC 3/4" ZIN 1K03097 NUT		00	12	00	16	16	16
14	0511050179	DISC AXLE 2" UNC X 2405 WITH NUT		00	01	00	00	00	00
14A	0521013683	DISC AXLE		00	01	00	00	00	00
14B	0502011580	RIGHT NUT		00	01	00	00	00	00
14C	0502011581	LEFT NUT		00	01	00	00	00	00
15	0511050168	DISC AXLE 2" UNC X 1322 WITH NUT		00	00	02	01	00	00
15A	0521013942	DISC AXLE		00	00	02	01	00	00
15B	0502011580	RIGHT NUT		00	00	02	01	00	00
15C	0502011581	LEFT NUT		00	00	02	01	00	00
16	0511050245	DISC AXLE 2" UNC X 2044 WITH NUT		00	00	00	00	00	02
16A	0521014358	DISC AXLE		00	00	00	00	00	02
16B	0502011580	RIGHT NUT		00	00	00	00	00	02
16C	0502011581	LEFT NUT		00	00	00	00	00	02
17	0521014358	DISC AXLE		01	00	00	00	00	00

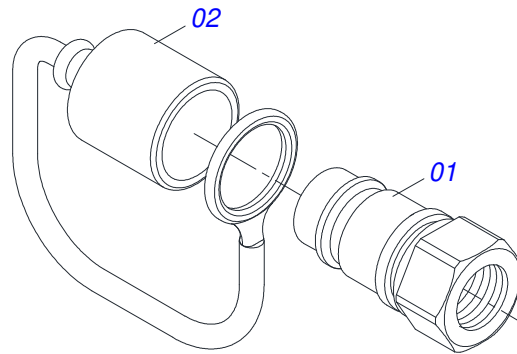
Item	Code	Description	See page	12	14	16	18	20	24
18	0602044165	32" X 0.3" NOTCHED DISC BLADE		01	00	00	00	00	00



Item	Code	Description	See page	12	14	16	18	20	24
01	0511050172	DISC AXLE 2" UNC X 1682 WITH NUT		00	00	00	01	02	00
01A	0521014510	DISC AXLE		00	00	00	01	02	00
01B	0502011580	RIGHT NUT		00	00	00	01	02	00
01C	0502011581	LEFT NUT		00	00	00	02	02	00
02	0502011579	SPACER		00	03	02	03	04	06
03	0502011578	INNER FLANGE		00	01	02	02	02	02
04	0502011577	OUTER FLANGE		00	01	02	02	02	02
05	0501048557	BEARING OIL	10	02	03	04	04	04	04
06	0602044165	32" X 0.3" NOTCHED DISC BLADE		06	00	00	09	10	00
06.	0602046009	34 X 9 MM NOTCHED DISC		00	07	08	00	10	12
07	0503010920	1/2" X 1.1/2" BOLT		02	02	04	04	04	04
08	0503010019	1/2" SPRING WASHER		02	02	04	04	04	04
09	0501010937	13.5 X 28 X 3 FLAT WASHER		02	02	04	04	04	04
10	0521013670	CHUCK		03	03	02	02	02	02
11	0503010901	3/4UNC 3.1/2 BOLT		00	00	08	08	08	00
11.	0503013331	3/4 UNC X 4.1/2 C S G.5 ZN BOLT		06	06	00	00	00	08
12	0521013710	WASHER SEMIMAN		06	06	08	08	08	08
13	0503012183	SNC 3/4" ZIN 1K03097 NUT		00	12	00	16	16	16
14	0511050179	DISC AXLE 2" UNC X 2405 WITH NUT		00	01	00	00	00	00
14A	0521013683	DISC AXLE		00	01	00	00	00	00
14B	0502011580	RIGHT NUT		01	01	00	00	00	00
14C	0502011581	LEFT NUT		01	01	00	00	00	00
15	0511050168	DISC AXLE 2" UNC X 1322 WITH NUT		00	00	02	01	00	00
15A	0521013942	DISC AXLE		00	00	02	01	00	00
15B	0502011580	RIGHT NUT		00	00	02	01	00	00
15C	0502011581	LEFT NUT		00	00	02	01	00	00
16	0511050245	DISC AXLE 2" UNC X 2044 WITH NUT		00	00	00	00	00	02
16A	0521014358	DISC AXLE		00	00	00	00	00	02
16B	0502011580	RIGHT NUT		01	00	00	00	00	02
16C	0502011581	LEFT NUT		01	00	00	00	00	02
17	0602044165	32" X 0.3" NOTCHED DISC BLADE		01	00	00	00	00	02



Item	Code	Description	See page	QT
01	0502011641	BEARIN BODY		01
02	0502011633	CENTER DEARIN		01
03	0502011630	WASHER CONCAVE		01
04	0502011631	WASHER CONVEX		01
05	0502011632	BEARING COVER		02
06	0502011827	SPACER		01
07	0502011629	SPACER		01
08	0503031502	JOINT BEARIN		02
09	0521013855	PLATE PROTECTION		01
10	0502011627	HOUSING RETAINE		01
11	0502011628	HOUSING RETAINE		01
12	0503012824	RETAINER		02
13	0503012285	32212 ROLLER BEARING		02
14	0501010984	FLAT WASHER		02
15	0503010025	3/8" SPRING WASHER		02
16	0503011334	BOLT 3/8 UNC X 3/4 CS G.5 ZN		02
17	0503010237	3/8" X 1" BOLT		12
18	0503010856	OIL PLUG		01



Item	Code	Description	See page	QT
01	0503011627	MALE QUICK COUPLER AGR 1/2 NPT		01
02	0503011882	MALE QUICK COUPLER CAP		01



civemasa

Technical Publications | Elaboration and Revision

ALESSANDRA PATRICIA KAWAHARA CARRILI

www.civemasa.com.br

