

DISK HARROWS

SGIC TR - 24/26/28/30D

Code: 0501092027
Series: S-0216
Revision: 00
Revision Date: FEVEREIRO/2023

PARTS CATALOGUE

CIVEMASA




PRODUCTS

| Code | Description |
|-------------|---------------------------------------|
| 0120160175C | SGIC 24TR 28X7,5DR 400/60 EXP S-0216 |
| 0120160175 | SGIC 24TR 28X7,5DR 400/60 S-0216 |
| 0120160174C | SGIC 24TR 30X7,5DR 400/60 EXP S-0216 |
| 0120160174 | SGIC 24TR 30X7,5DR 400/60 S-0216 |
| 0120160176C | SGIC 26TR 28X7,5DR 400/60 EXP S-0216 |
| 0120160176 | SGIC 26TR 28X7,5DR 400/60 S-0216 |
| 0120160177C | SGIC 26TR 30X7,5DR 400/60 EXP S-0216 |
| 0120160177 | SGIC 26TR 30X7,5DR 400/60 S-0216 |
| 0120160178C | SGIC 28TR 28X7,5 DR 400/60 EXP S-0216 |
| 0120160178 | SGIC 28TR 28X7,5 DR 400/60 S-0216 |
| 0120160179C | SGIC 28TR 30X7,5 DR 400/60 EXP S-0216 |
| 0120160179 | SGIC 28TR 30X7,5 DR 400/60 S-0216 |
| 0120160180C | SGIC 30TR 28X7,5 DR 400/60 EXP S-0216 |
| 0120160180 | SGIC 30TR 28X7,5 DR 400/60 S-0216 |
| 0120160181C | SGIC 30TR 30X7,5 DR 400/60 EXP S-0216 |
| 0120160181 | SGIC 30TR 30X7,5 DR 400/60 S-0216 |

ATTENTION: IMPORTANT

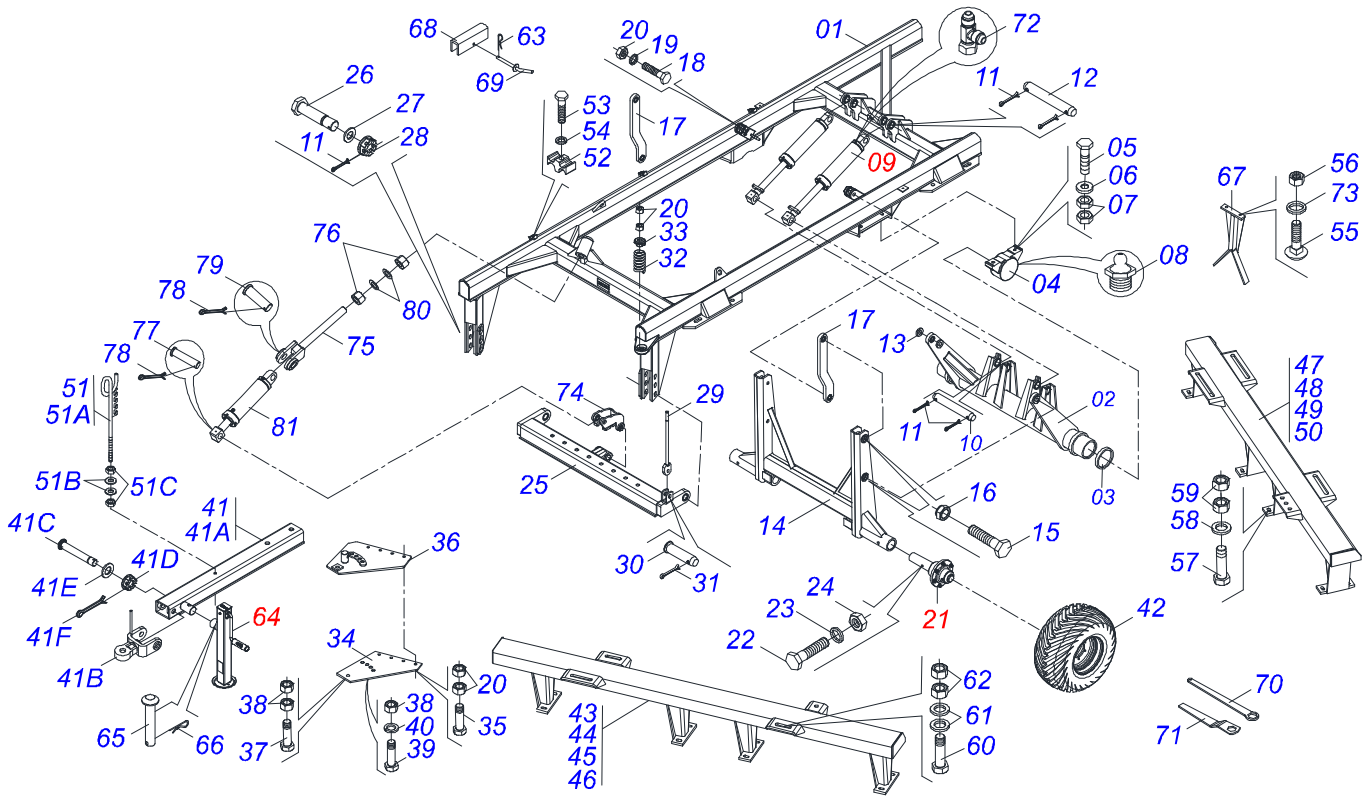
CIVEMASA reserves the right to improve and/or modify the technical features of its products, without obligation to do the same with those products already sold and without prior knowledge of the dealer or the customer. The photos are only illustrative.





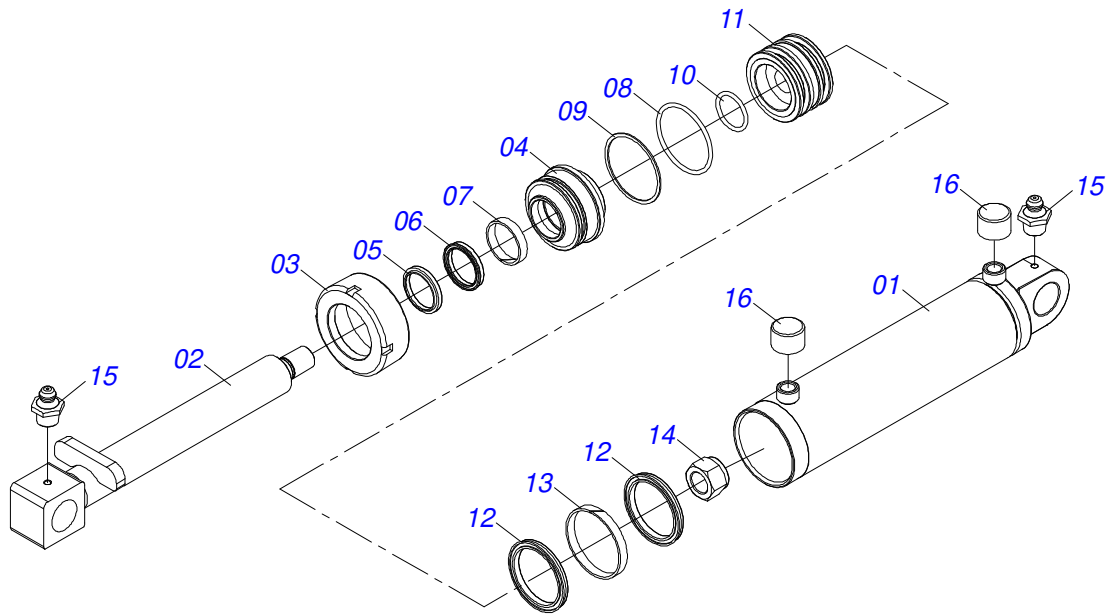
INDEX

| | | | |
|------------|--|-------|---|
| 0909093542 | ASSY FRAME 24/26/28/30D | | 1 |
| 0501048562 | HYDRAULIC CYLINDER 53,98X101,6X630X300 | | 2 |
| 0511045870 | HYDRAULIC CYLINDER 101,6 X 53,68 X 520 X 200 | | 3 |
| 0511048088 | DRAWBAR JACK | | 4 |
| 0501055850 | CARRYNG WHEEL HUB ASSEMBLY ASSY | | 5 |
| 0909093568 | GANG DISC 24/26/28/30D | | 6 |
| 0511040113 | AGRICULTURAL BEARING | | 7 |
| 0909093543 | HYDRAULIC CIRCUIT 24/26/28/30D | | 8 |
| 0501053834 | MALE QUICK COUPLER | | 9 |

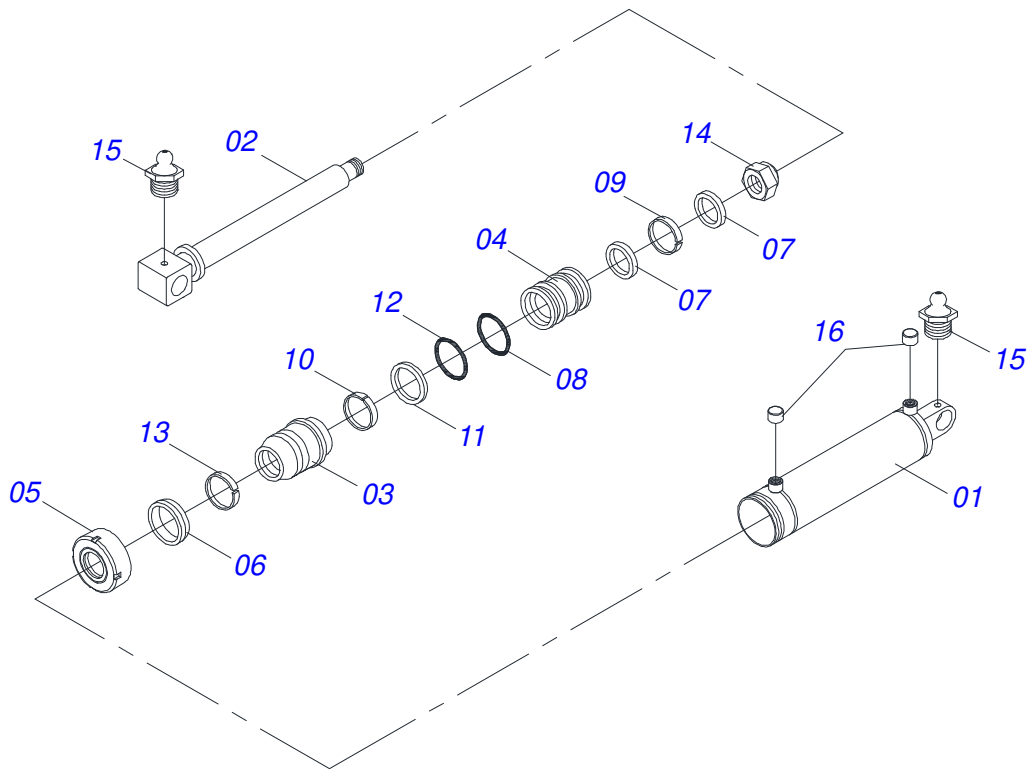


| Item | Code | Description | See page | 24 | 26 | 28 | 30 |
|------|------------|--|----------|----|----|----|----|
| 01 | 0511064731 | FRAME | | 01 | 01 | 01 | 01 |
| 02 | 0511069691 | WHEEL AXLE | | 01 | 01 | 01 | 01 |
| 03 | 0503012260 | FELT RING | | 02 | 02 | 02 | 02 |
| 04 | 0502011587 | BEARING AXLE | | 02 | 02 | 02 | 02 |
| 05 | 0503810797 | BOLT | | 04 | 04 | 04 | 04 |
| 06 | 0521013710 | WASHER SEMIMAN | | 04 | 04 | 04 | 04 |
| 07 | 0503012183 | SNC 3/4" ZIN 1K03097 NUT | | 10 | 10 | 10 | 10 |
| 08 | 0503010002 | 1800 GREASE FITTING | | 02 | 02 | 02 | 02 |
| 09 | 0501048562 | HYDRAULIC CYLINDER 53,98X101,6X630X300 | 2 | 01 | 01 | 01 | 01 |
| 10 | 0521013707 | HEADLESS PIN | | 01 | 01 | 01 | 01 |
| 11 | 0503010010 | 1/4" X 2.1/2" COTTERPIN | | 06 | 06 | 06 | 06 |
| 12 | 0521013706 | HEADLESS PIN | | 01 | 01 | 01 | 01 |
| 13 | 0521015523 | BOOST | | 04 | 04 | 04 | 04 |
| 14 | 0511069690 | RODE SET | | 01 | 01 | 01 | 01 |
| 15 | 0501811547 | BOLT | | 04 | 04 | 04 | 04 |
| 16 | 0503014182 | SELF-ADJUSTING NUT | | 04 | 04 | 04 | 04 |
| 17 | 0511063681 | ARM | | 02 | 02 | 02 | 02 |
| 18 | 0501810392 | BOLT | | 03 | 03 | 03 | 03 |
| 19 | 0503011438 | SPRING WASHER | | 05 | 05 | 05 | 05 |
| 20 | 0503012182 | 1" NUT | | 03 | 03 | 03 | 03 |
| 21 | 0501055850 | CARRYNG WHEEL HUB ASSEMBLY ASSY | 5 | 02 | 02 | 02 | 02 |
| 22 | 0503811084 | BOLT | | 02 | 02 | 02 | 02 |
| 23 | 0503011442 | 3/4" SPRING WASHER | | 02 | 02 | 02 | 02 |
| 24 | 0503812183 | NUT | | 02 | 02 | 02 | 02 |
| 25 | 0511069689 | TRACTION BAR | | 01 | 01 | 01 | 01 |
| 26 | 0501810340 | BOLT | | 02 | 02 | 02 | 02 |
| 27 | 0551012215 | FLAT WASHER | | 02 | 02 | 02 | 02 |
| 28 | 0501811301 | CASTLE NUT | | 02 | 02 | 02 | 02 |
| 29 | 0511066240 | ARM | | 01 | 01 | 01 | 01 |
| 30 | 0521810592 | COUPLING SHAFT | | 01 | 01 | 01 | 01 |
| 31 | 0503010571 | 1/4" X 1.1/2 COTTERPIN | | 01 | 01 | 01 | 01 |

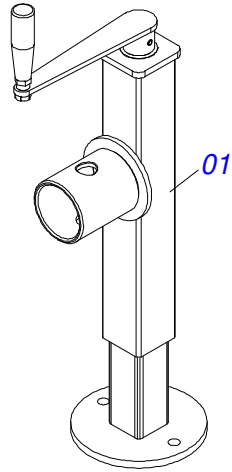
| Item | Code | Description | See page | 24 | 26 | 28 | 30 |
|------|------------|--|----------|----|----|----|----|
| 32 | 0503031341 | 2.7 X 8 X 0.5 COMPRESSION SPRING | | 01 | 01 | 01 | 01 |
| 33 | 0502020392 | SPRING SUPPORT | | 01 | 01 | 01 | 01 |
| 34 | 0511060125 | BOTTOM PLATE HITCH | | 01 | 01 | 01 | 01 |
| 35 | 0501010219 | 1" X 7-1/2" BOLT | | 04 | 04 | 04 | 04 |
| 36 | 0511068632 | TOP HITCH PLATE | | 01 | 01 | 01 | 01 |
| 37 | 0501814174 | BOLT | | 01 | 01 | 01 | 01 |
| 38 | 0503012181 | 1.1/4" NUT | | 02 | 02 | 02 | 02 |
| 39 | 0501814174 | BOLT | | 01 | 01 | 01 | 01 |
| 40 | 0503011439 | 1.1/4" SPRING WASHER | | 01 | 01 | 01 | 01 |
| 41 | 0511050170 | HARNES ASSY | | 01 | 01 | 01 | 01 |
| 41A | 0511060119 | HARNES | | 01 | 01 | 01 | 01 |
| 41B | 0521062956 | HITCH | | 01 | 01 | 01 | 01 |
| 41C | 0561018588 | COUPLING SHAFT | | 01 | 01 | 01 | 01 |
| 41D | 0501011301 | 1.1/2 UNC 6FPP 2.5/16 NUT | | 01 | 01 | 01 | 01 |
| 41E | 0501012916 | FLAT WASHER 40 X 66 X 4,75 ZN | | 01 | 01 | 01 | 01 |
| 41F | 0503010010 | 1/4" X 2.1/2" COTTERPIN | | 01 | 01 | 01 | 01 |
| 42 | 0503061868 | 400/60 WHEEL WITH TIRE | | 01 | 02 | 02 | 02 |
| 43. | 0511060239 | FRONT FRAME - 24 | | 01 | 00 | 00 | 00 |
| 44. | 0511060117 | FRONT FRAME ASSY - 26 | | 01 | 00 | 00 | 00 |
| 45. | 0511060481 | FRONT FRAME ASSY - 28 | | 00 | 01 | 00 | 00 |
| 46. | 0511061464 | FRONT FRAME ASSY - 30 | | 00 | 00 | 01 | 00 |
| 47 | 0511060240 | REAR FRAME - 24 | | 01 | 00 | 00 | 00 |
| 48 | 0511060118 | REAR FRAME ASSY - 26 | | 01 | 00 | 00 | 00 |
| 49 | 0511060482 | REAR FRAME ASSY - 28 | | 00 | 01 | 00 | 00 |
| 50 | 0511061465 | REAR FRAME ASSY - 30 | | 00 | 00 | 01 | 00 |
| 51 | 0501040257 | 3/4 X 1200 HOSE HOLDER A | | 01 | 01 | 01 | 01 |
| 51A | 0511067334 | HOSE SUPPORT | | 01 | 01 | 01 | 01 |
| 51B | 0501010322 | FLAT WASHER | | 02 | 02 | 02 | 02 |
| 51C | 0503010014 | 3/4" HEX NUT | | 02 | 02 | 02 | 02 |
| 52 | 0502012702 | BODY SUPPORT CLAMP | | 03 | 03 | 03 | 03 |
| 53 | 0503012555 | SCREW 7/16 UNC X 2 CS RT G.7 ZN | | 03 | 03 | 03 | 03 |
| 54 | 0503010180 | 7/16" SPRING WASHER | | 03 | 03 | 03 | 03 |
| 55 | 0501010243 | 1/2" X 1-1/2" BOLT | | 28 | 28 | 28 | 30 |
| 56 | 0503012682 | 1/2" BSW NUT | | 28 | 28 | 28 | 30 |
| 57 | 0503010901 | 3/4UNC 3.1/2 BOLT | | 16 | 16 | 16 | 16 |
| 58 | 0521013710 | WASHER SEMIMAN | | 16 | 16 | 16 | 16 |
| 59 | 0503012183 | SNC 3/4" ZIN 1K03097 NUT | | 32 | 32 | 32 | 32 |
| 60 | 0503011432 | BOLT | | 08 | 08 | 08 | 08 |
| 61 | 0521015523 | BOOST | | 16 | 16 | 16 | 16 |
| 62 | 0503012182 | 1" NUT | | 16 | 16 | 16 | 16 |
| 63 | 0503031464 | TM 211 X 3,0 STAPLE | | 02 | 02 | 02 | 02 |
| 64 | 0511048088 | DRAWBAR JACK | 4 | 01 | 01 | 01 | 01 |
| 65 | 0561014251 | COUPLING SHAFT | | 01 | 01 | 01 | 01 |
| 66 | 0503030012 | HITCH PIN CLIP | | 01 | 01 | 01 | 01 |
| 67 | 0511060122 | SAC 31000 SCRAPER | | 16 | 18 | 20 | 20 |
| 68 | 0591019958 | LOCK FOR TRANSPORTATION | | 01 | 01 | 01 | 01 |
| 69 | 0511060137 | ASSEMBLY LOCK PIN | | 01 | 01 | 01 | 01 |
| 70 | 0531013656 | WRENCH | | 01 | 01 | 01 | 01 |
| 71 | 0501011431 | 1-3/4" GANG BOLT WRENCH | | 02 | 02 | 02 | 02 |
| 72 | 0551012528 | ADAPTER (GND) | | 04 | 04 | 04 | 04 |
| 73 | 0503010019 | 1/2" SPRING WASHER | | 48 | 48 | 48 | 50 |
| 74 | 0521062108 | HEADING ARTICULATION | | 01 | 01 | 01 | 01 |
| 75 | 0511068629 | PISTON TIME | | 01 | 01 | 01 | 01 |
| 76 | 0501810333 | 1.3/4 NUT | | 02 | 02 | 02 | 02 |
| 77 | 0551015334 | PIN | | 01 | 01 | 01 | 01 |
| 78 | 0503011345 | 1/4" X 3-1/2" COTTERPIN | | 02 | 02 | 02 | 02 |
| 79 | 0551015331 | PIN | | 01 | 01 | 01 | 01 |
| 80 | 0521014368 | FLAT WASHER | | 02 | 02 | 02 | 02 |
| 81 | 0511045870 | HYDRAULIC CYLINDER 101,6 X 53,68 X 520 X 200 | 3 | 01 | 01 | 01 | 01 |



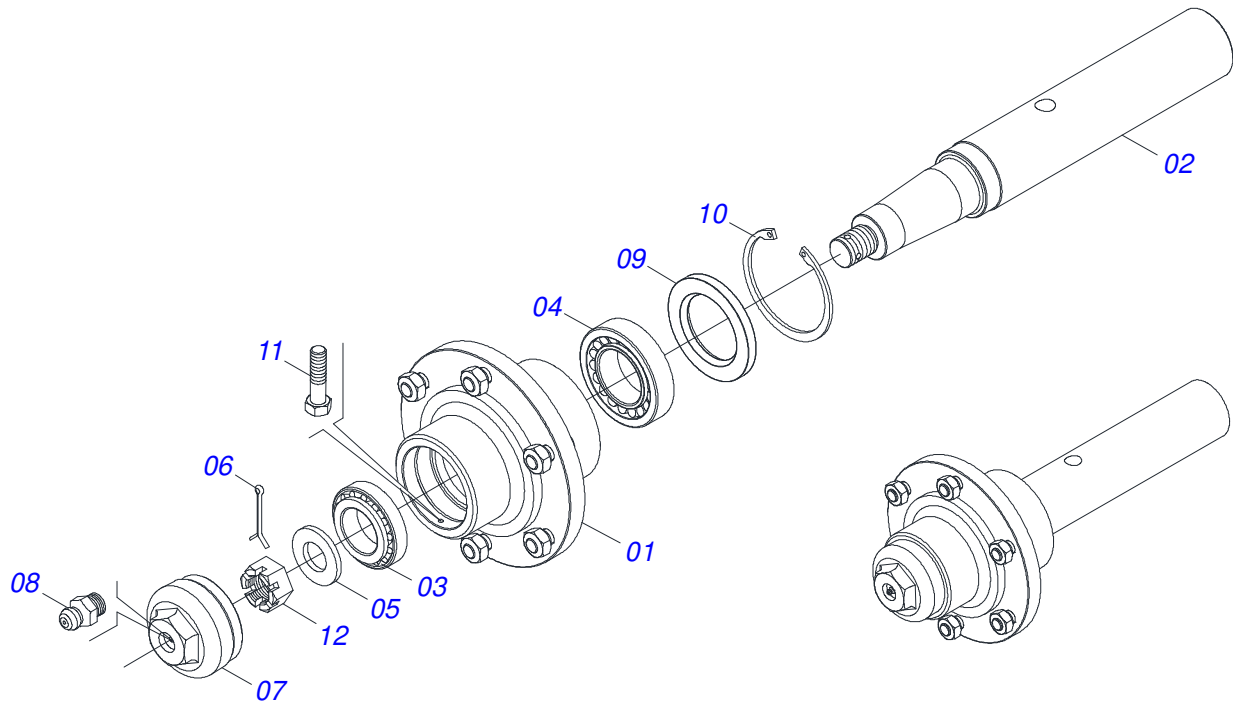
| Item | Code | Description | See page | QT |
|------|------------|---------------------------|----------|----|
| 01 | 0511062252 | 101,6 X 418 CYLINDER CASE | | 01 |
| 02 | 0511062250 | 53,98 X 509 TURNBUCLE | | 01 |
| 03 | 0502010017 | 4" HEAD | | 01 |
| 04 | 0502011250 | RING OF SUPPORT | | 01 |
| 05 | 0503010319 | D-2125 SCRAPER | | 01 |
| 06 | 0503010314 | GASKET | | 01 |
| 07 | 0503010973 | W2-2500-500 PK O'RING G.E | | 01 |
| 08 | 0503011061 | 8-342 BACK-UP RING | | 01 |
| 09 | 0503010338 | 2-342 N 3006-9B O'RING | | 01 |
| 10 | 0503010345 | 2-218 N 3006-9B O'RING | | 01 |
| 11 | 0502011969 | 53,98 X 101,60 PISTON | | 01 |
| 12 | 0503010043 | PACKING 3750-3250 | | 02 |
| 13 | 0503010994 | W2-4000-500 PK RING G.E | | 01 |
| 14 | 0503010817 | 1.1/4" SELF LOCKING NUT | | 01 |
| 15 | 0503010002 | 1800 GREASE FITTING | | 02 |
| 16 | 0503030384 | CON PLUG N-001 | | 02 |



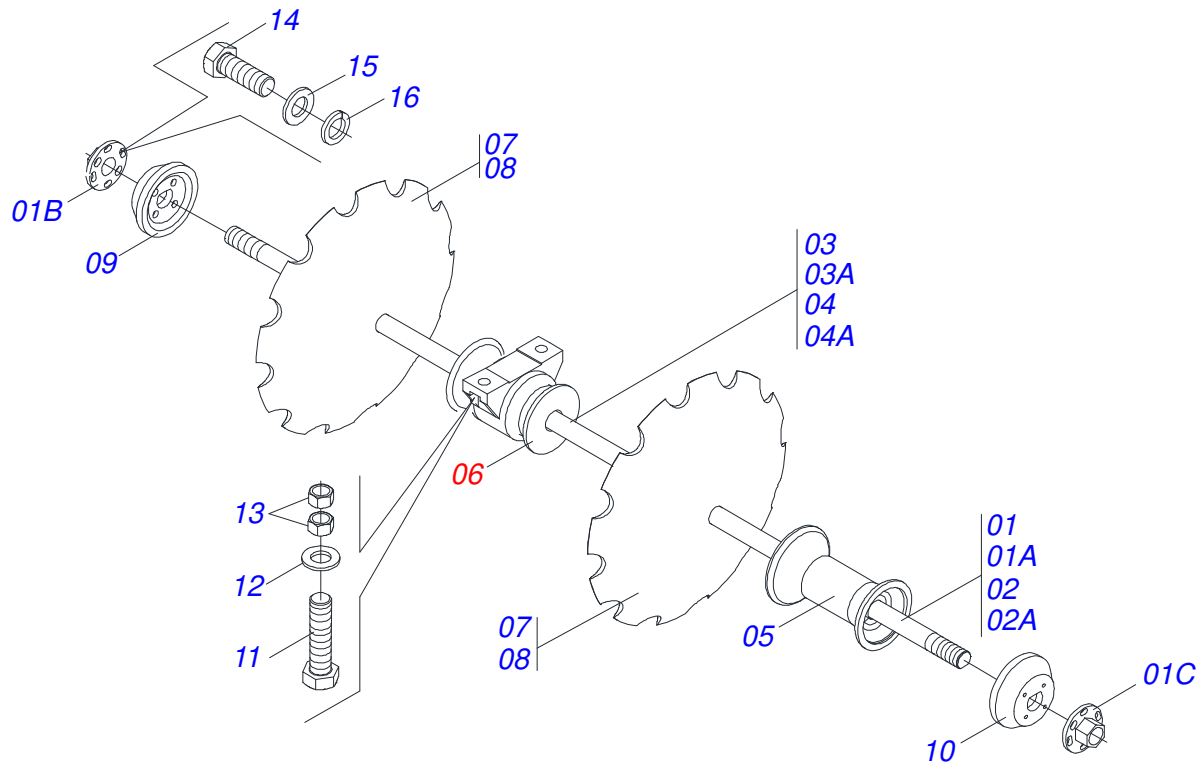
| Item | Code | Description | See page | QT |
|------|------------|---------------------------|----------|----|
| 01 | 0511068637 | CYLINDER CASE | | 01 |
| 02 | 0501077351 | TURNBUCKLE | | 01 |
| 03 | 0502011250 | RING OF SUPPORT | | 01 |
| 04 | 0502011969 | 53,98 X 101,60 PISTON | | 01 |
| 05 | 0502010017 | 4" HEAD | | 01 |
| 06 | 0503010319 | D-2125 SCRAPER | | 01 |
| 07 | 0503010043 | PACKING 3750-3250 | | 02 |
| 08 | 0503010345 | 2-218 N 3006-9B O'RING | | 01 |
| 09 | 0503010994 | W2-4000-500 PK RING G.E | | 01 |
| 10 | 0503010973 | W2-2500-500 PK O'RING G.E | | 01 |
| 11 | 0503010338 | 2-342 N 3006-9B O'RING | | 01 |
| 12 | 0503011061 | 8-342 BACK-UP RING | | 01 |
| 13 | 0503010314 | GASKET | | 01 |
| 14 | 0503010817 | 1.1/4" SELF LOCKING NUT | | 01 |
| 15 | 0503010002 | 1800 GREASE FITTING | | 02 |
| 16 | 0503030384 | CON PLUG N-001 | | 02 |



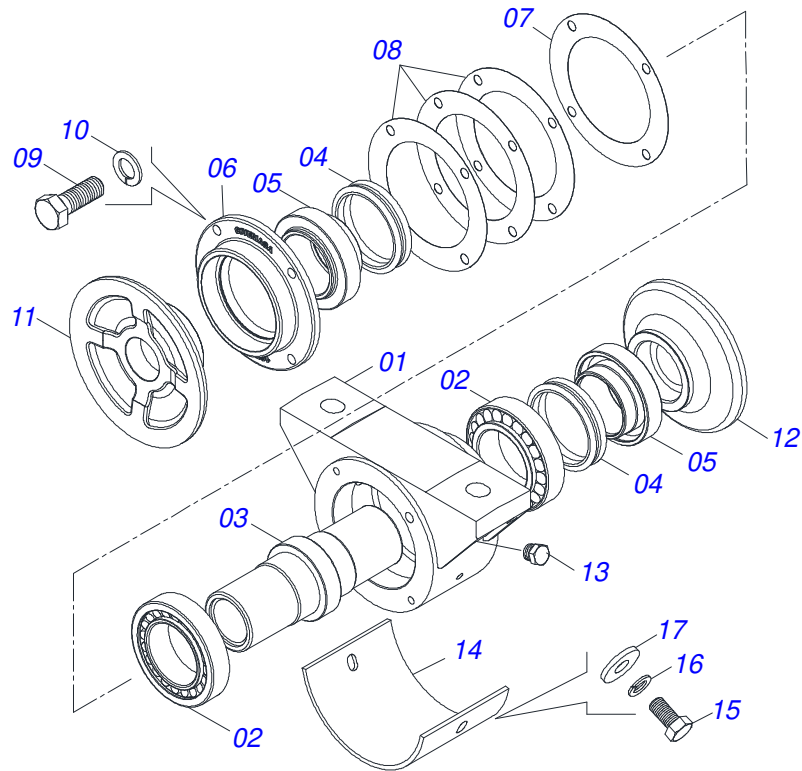
| Item | Code | Description | See page | QT |
|------|------------|--------------|----------|----|
| 01 | 0503062227 | DRAWBAR JACK | | 01 |



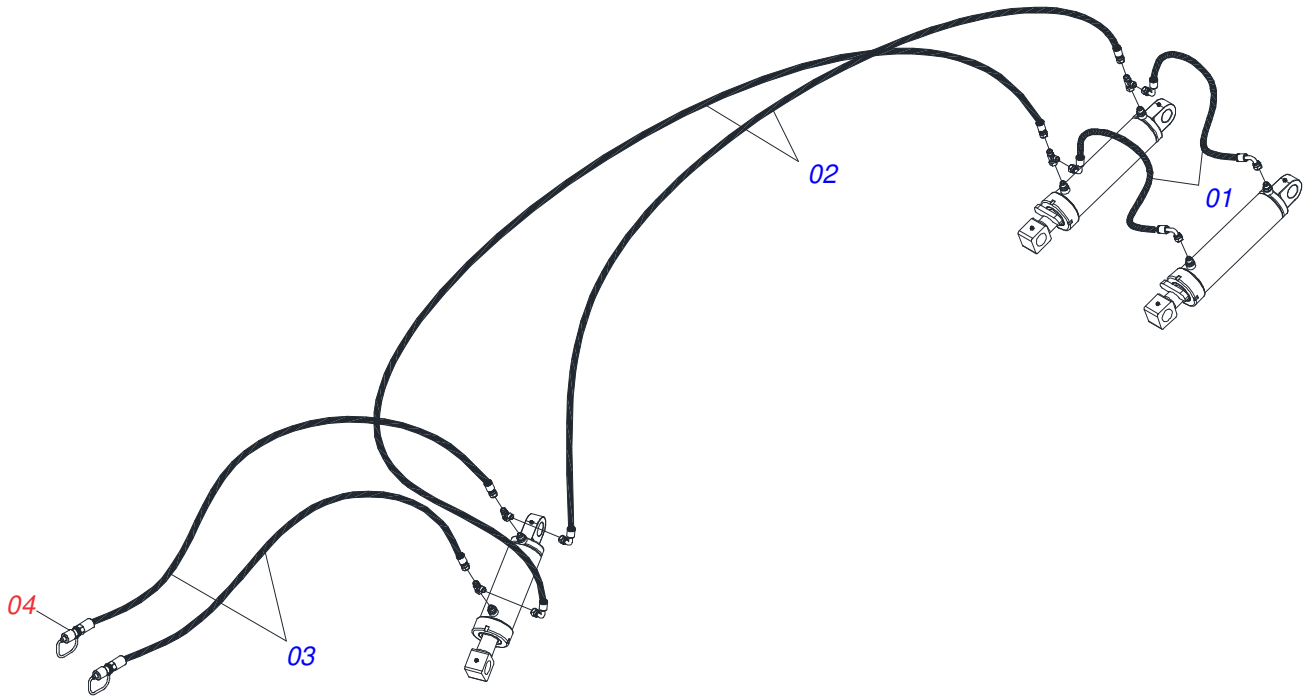
| Item | Code | Description | See page | QT |
|------|------------|-------------------------------|----------|----|
| 01 | 0501110766 | HUB CARRYING WHEELS WITH BOLT | | 01 |
| 02 | 0541014720 | CR 7076205/1/1 AXLE | | 01 |
| 03 | 0503010006 | 32210 ROLLER BEARING | | 01 |
| 04 | 0503010005 | 32212 ROLLER BEARING | | 01 |
| 05 | 0501010086 | FLAT WASHER | | 01 |
| 06 | 0503010067 | 3/16" X 2.1/2" COTTER PIN | | 01 |
| 07 | 0502011647 | COVER | | 01 |
| 08 | 0503010691 | 1/4" GREASE FITTING | | 01 |
| 09 | 0503010009 | RETAINER 00573-B | | 01 |
| 10 | 0503012723 | 502115 RENO RING | | 01 |
| 11 | 0503010298 | 1/4" X 1/2" BOLT | | 01 |
| 12 | 0503012457 | UNF 1.1/4" CASTLE NUT | | 01 |



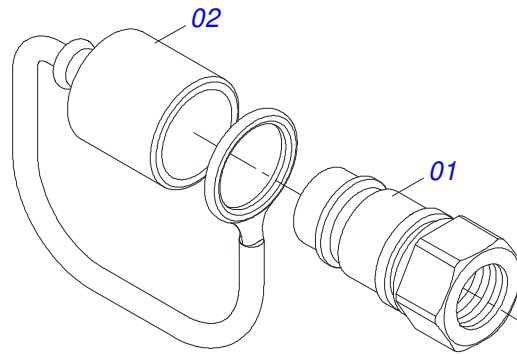
| Item | Code | Description | See page | 24 | 26 | 28 | 30 |
|------|------------|--|----------|----|----|----|----|
| 01 | 0511050238 | AXLE DISC | | 00 | 00 | 00 | 02 |
| 01A | 0521013844 | AXLE DISC | | 00 | 00 | 00 | 02 |
| 01B | 0502011574 | RIGHT NUT | | 04 | 04 | 04 | 04 |
| 01C | 0502011575 | LEFT NUT | | 04 | 04 | 04 | 04 |
| 02 | 0511050216 | 1.3/4UNC X 1567 AXLE ASSY | | 04 | 02 | 00 | 00 |
| 02A | 0521013681 | AXLE | | 04 | 02 | 00 | 00 |
| 03 | 0511050175 | 1.3/4 UNC X 1837 AXLE DISC ASSY | | 00 | 00 | 04 | 02 |
| 03A | 0521013682 | AXLE | | 00 | 00 | 04 | 02 |
| 04 | 0511050264 | DISC AXLE WITH NUT | | 00 | 02 | 00 | 00 |
| 04A | 0521013682 | AXLE | | 00 | 02 | 00 | 00 |
| 05 | 0502011576 | 3390172 SPACER | | 12 | 14 | 16 | 16 |
| 06 | 0511040113 | AGRICULTURAL BEARING | 7 | 08 | 08 | 08 | 10 |
| 07 | 0602037001 | 28" X 7,5MM NOTCHED DISC BLADE | | 24 | 26 | 28 | 30 |
| 08 | 0602040041 | 30X7,5 C105AF04FR1.13/16 10R T/CV NOTCHED DISC | | 24 | 26 | 28 | 30 |
| 09 | 0502011572 | BEARING INNER FLANGE | | 04 | 04 | 04 | 04 |
| 10 | 0502011573 | OUTER FLANGE | | 04 | 04 | 04 | 04 |
| 11 | 0503010901 | 3/4UNC 3.1/2 BOLT | | 16 | 16 | 16 | 20 |
| 12 | 0521013710 | WASHER SEMIMAN | | 16 | 16 | 16 | 20 |
| 13 | 0503012183 | SNC 3/4" ZIN 1K03097 NUT | | 32 | 32 | 32 | 40 |
| 14 | 0503010834 | 1/2 X 1 BOLT | | 16 | 16 | 16 | 16 |
| 15 | 0501010937 | 13,50 X 28 X 3,00 FLAT WASHER | | 16 | 16 | 16 | 16 |
| 16 | 0503010019 | 1/2" SPRING WASHER | | 16 | 16 | 16 | 16 |



| Item | Code | Description | See page | QT |
|------|------------|-------------------------------|----------|----|
| 01 | 0502011965 | BEARIN BODY | | 01 |
| 02 | 0503010104 | 3984/3920 ROLLER BEARING | | 02 |
| 03 | 0502010824 | AXLE CM/DM | | 01 |
| 04 | 0503030027 | DUO-CONE SEAL | | 02 |
| 05 | 0502010823 | SEAL RETAINER | | 02 |
| 06 | 0502011966 | BEARING COVER | | 01 |
| 07 | 0503031685 | JOINT BEARIN | | 01 |
| 08 | 0503031686 | JOINT BEARIN | | 03 |
| 09 | 0503010237 | 3/8" X 1" BOLT | | 04 |
| 10 | 0503011443 | 3/8" SPRING WASHER | | 04 |
| 11 | 0502040141 | OUTER FLANGE | | 01 |
| 12 | 0502040142 | INNER FLANGE | | 01 |
| 13 | 0503010856 | OIL PLUG | | 01 |
| 14 | 0521013856 | PLATE PROTECTION | | 01 |
| 15 | 0503011334 | BOLT 3/8 UNC X 3/4 CS G.5 ZN | | 02 |
| 16 | 0503010025 | 3/8 SPRING WASHER | | 02 |
| 17 | 0501010984 | 10,50 X 27 X 3,00 FLAT WASHER | | 02 |



| Item | Code | Description | See page | QT |
|------|------------|-----------------------------|----------|----|
| 01 | 0501080522 | 3/8 X 700 TC-TC HOSE ASSY | | 02 |
| 02 | 0501080390 | 3/8" X 150" TR-TC HOSE ASSY | | 02 |
| 03 | 0501080510 | HOSE 3/8 X 3500 TR-TM | | 02 |
| 04 | 0501053834 | MALE QUICK COUPLER | 9 | 02 |



| Item | Code | Description | See page | QT |
|------|------------|--------------------------------|----------|----|
| 01 | 0503011627 | MALE QUICK COUPLER AGR 1/2 NPT | | 01 |
| 02 | 0503011882 | MALE QUICK COUPLER CAP | | 01 |



civemasa

Technical Publications | Elaboration and Revision

MARINA PEREZ NIZA

www.civemasa.com.br

