

PARTS CATALOGUE

DISK HARROWS

GDFM/E 156

Code: 0501092003



Series: S-0816

Review: SETEMBRO/2017

**ORIGINAL PARTS
CIVEMASA**

civemasa

PRODUCTS

Code

0120660084

Description

GDFM/E 156 X 22 X 4,5 DM MT PA

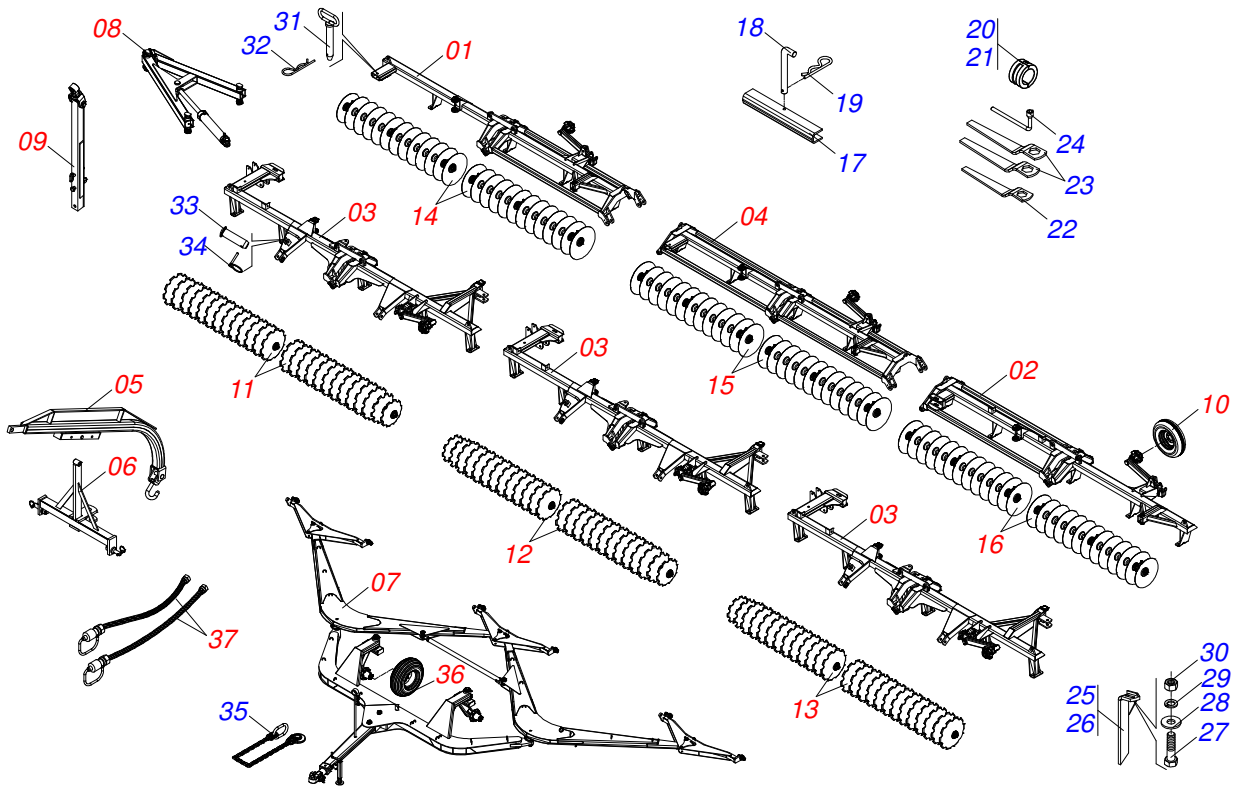
S-0816

ATTENTION: *IMPORTANT*

CIVEMASA RESERVES THE RIGHT AT ANY TIME TO MAKE IMPROVEMENTS IN THE DESIGN, MATERIAL OR SPECIFICATIONS OF MACHINERY, EQUIPMENT OR PARTS WITHOUT THEREBY BECOMING LIABLE TO MAKE SIMILAR CHANGES IN MACHINERY, EQUIPMENT OR PARTS PREVIOUSLY SOLD.

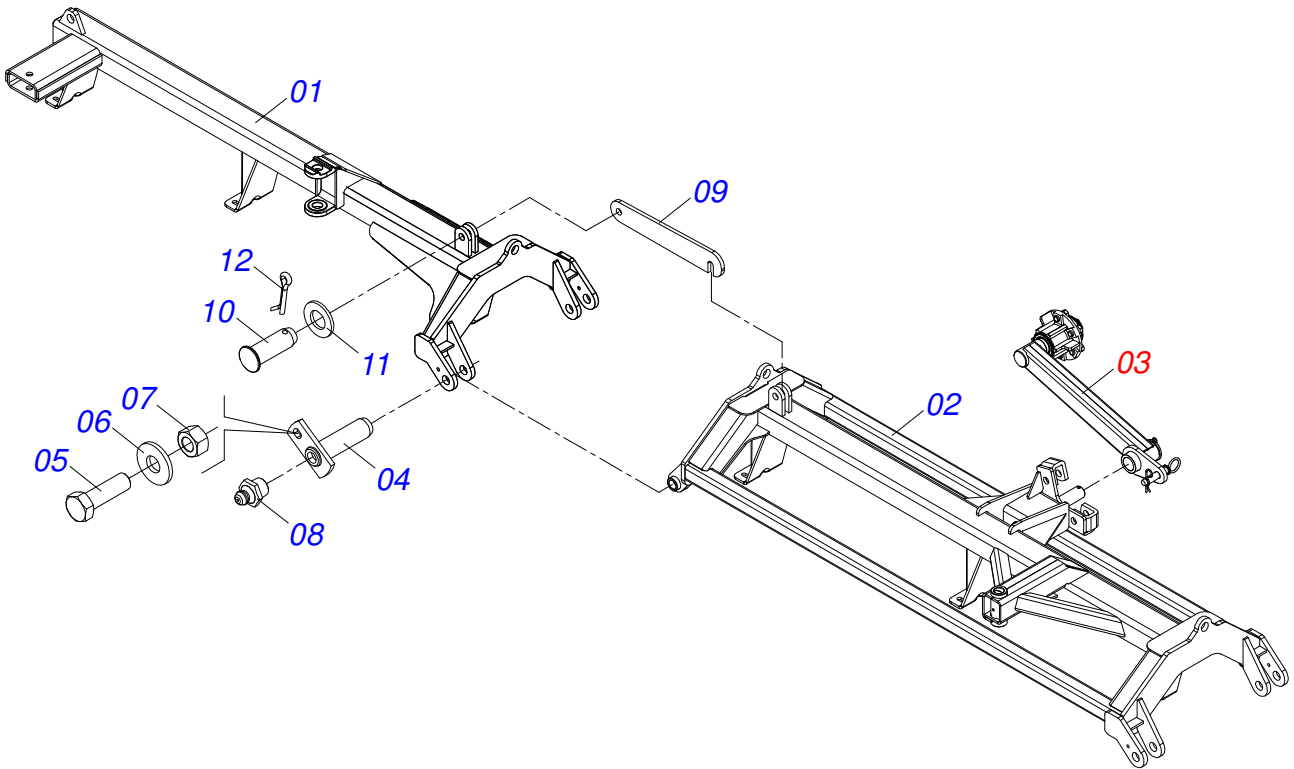
INDEX

0909093544	GDFM/E 156	1
0521047335	ASSY RIGHT REAR FRAME	2
0521047336	ASSY LEFT REAR FRAME	3
0521047337	ASSY FRAME FRONT RIGHT / LEFT	4
0521047339	ASSY INTERNAL REAR FRAME	5
0521050970	ASSY WHEEL	6
0511050078	WHEEL WITH HUB	7
0501051142	CARRYING WHEEL HUB	8
0521042072	FRAME ASSY	9
0501053527	DRAWBAR	10
0909093526	TRACTION ASSY OF	11
0521050977	DOUBLE HEADER	12
0501058791	STUB SHAFT & HUB ASSY	13
0521043351	FULL DRAW BAR	14
0521044665	FULL EXTENSOR	15
0521050969	1400 ASSY TRACTION BAR	16
0511048088	DRAWBAR JACK	17
0503060244	RODA C/ PNEU11L-15 10L 8F COMP GCRO	18
0503060091	L29.5"X0.63"-10L WHEEL AND	19
0909093527	OPENING ASSY	20
0511058461	HYDRAULIC CYLINDER	21
0909093529	RIGHT FRONT SECTION	22
0909093530	CENTRAL FRONT SECTION	23
0909093531	LEFT FRONT SECTION	24
0909093532	REAR RIGHT SECTION	25
0909093533	CENTRAL REAR SECTION	26
0909093534	LEFT REAR SECTION	27
0909091729	HYDRAULIC CIRCUIT	28
0501053835	FEMALE QUICK COUPLER	29
0501053834	QUICK CONECTION (MALE) 1/2	30

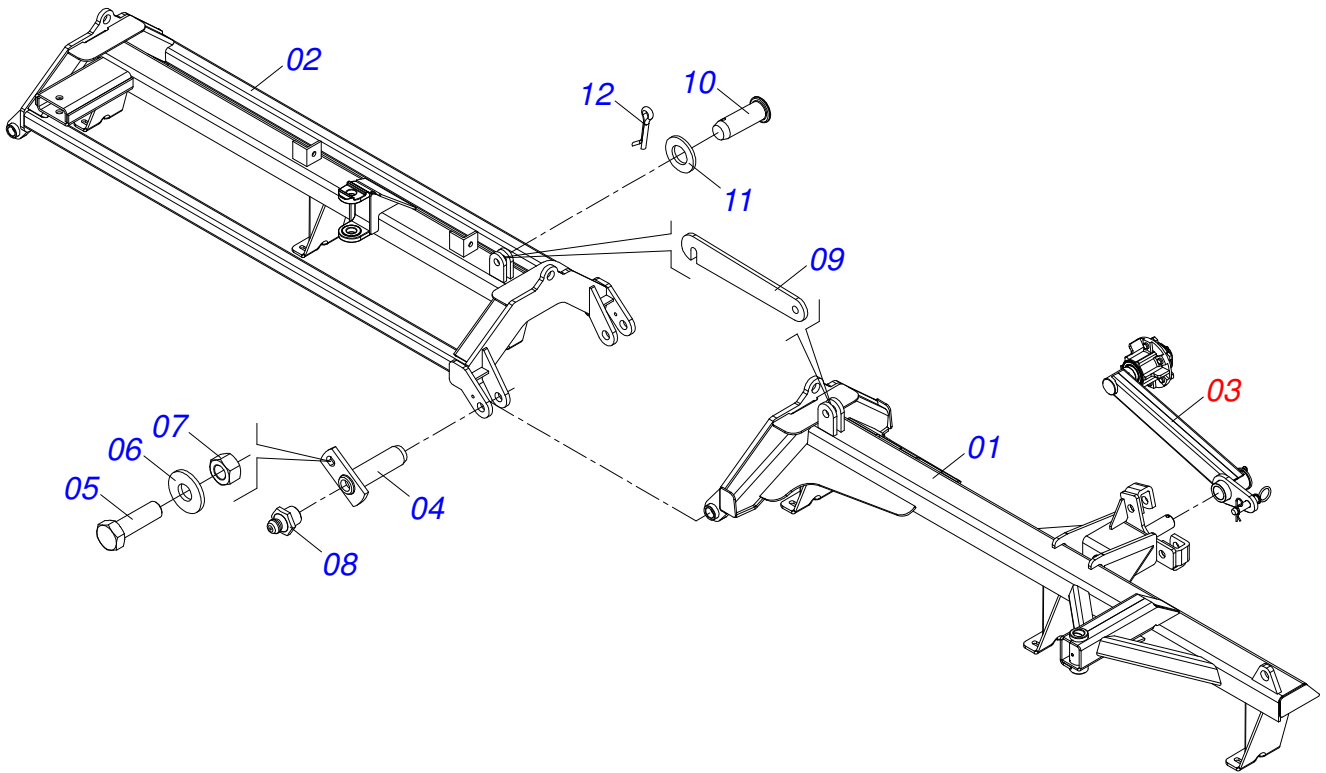


Item	Code	Description	QT
01	0521047335	ASSY RIGHT REAR FRAME	01
02	0521047336	ASSY LEFT REAR FRAME	01
03	0521047337	ASSY FRAME FRONT RIGHT / LEFT	03
04	0521047339	ASSY INTERNAL REAR FRAME	01
05	0521042072	FRAME ASSY	01
06	0501053527	DRAWBAR	01
07	0909093526	TRACTION ASSY OF	01
08	0909093527	OPENING ASSY	03
09	0521050969	1400 ASSY TRACTION BAR	03
10	0503060091	L29.5"X0.63"-10L WHEEL AND	06
11	0909093529	RIGHT FRONT SECTION	01
12	0909093530	CENTRAL FRONT SECTION	01
13	0909093531	LEFT FRONT SECTION	01
14	0909093532	REAR RIGHT SECTION	01
15	0909093533	CENTRAL REAR SECTION	01
16	0909093534	LEFT REAR SECTION	01
17	0561018173	LOCK FOR TRANSPORT	03
18	0541016844	FIXER LOCK	03
19	0503030168	HAIR PIN	03
20	0501047895	ROD STOP	18
21	0501047885	ROD STOP	12
22	0511018451	5/8" X 3/4" X 1" UNIVERSAL	01
23	0501011432	1-1/2" AND 1-5/8 GANG BOLT WRENCH	02
24	0501068273	5/8" WRENCH	01
25	0501063962	REAR SCRAPER	57
26	0501063963	FRONT SCRAPER	59
27	0503011082	C1/2" X 1.3/4" BOLT	232
28	0511017302	FLAT WASHER	232
29	0503010019	1/2" SPRING WASHER	232
30	0503010060	1/2" NUT	232
31	0501075403	HITCH PIN	03
32	0503030012	HAIR PIN	07
33	0501019002	JUNCTION SHAFT	03

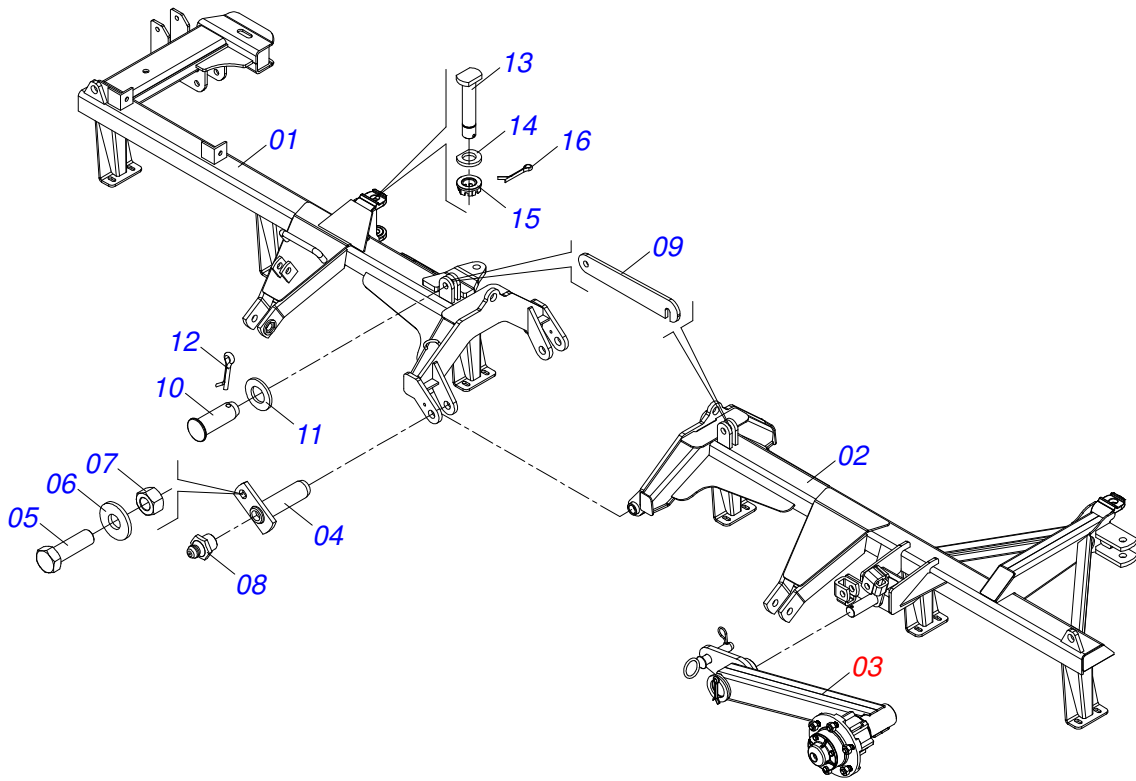
Item	Code	Description	QT
34	0503030085	LOCK PIN	03
35	0503013150	1300 X 3/8 CHAIN	01
36	0503060244	RODA C/ PNEU11L-15 10L 8F COMP GCRO	02
37	0909091729	HYDRAULIC CIRCUIT	01



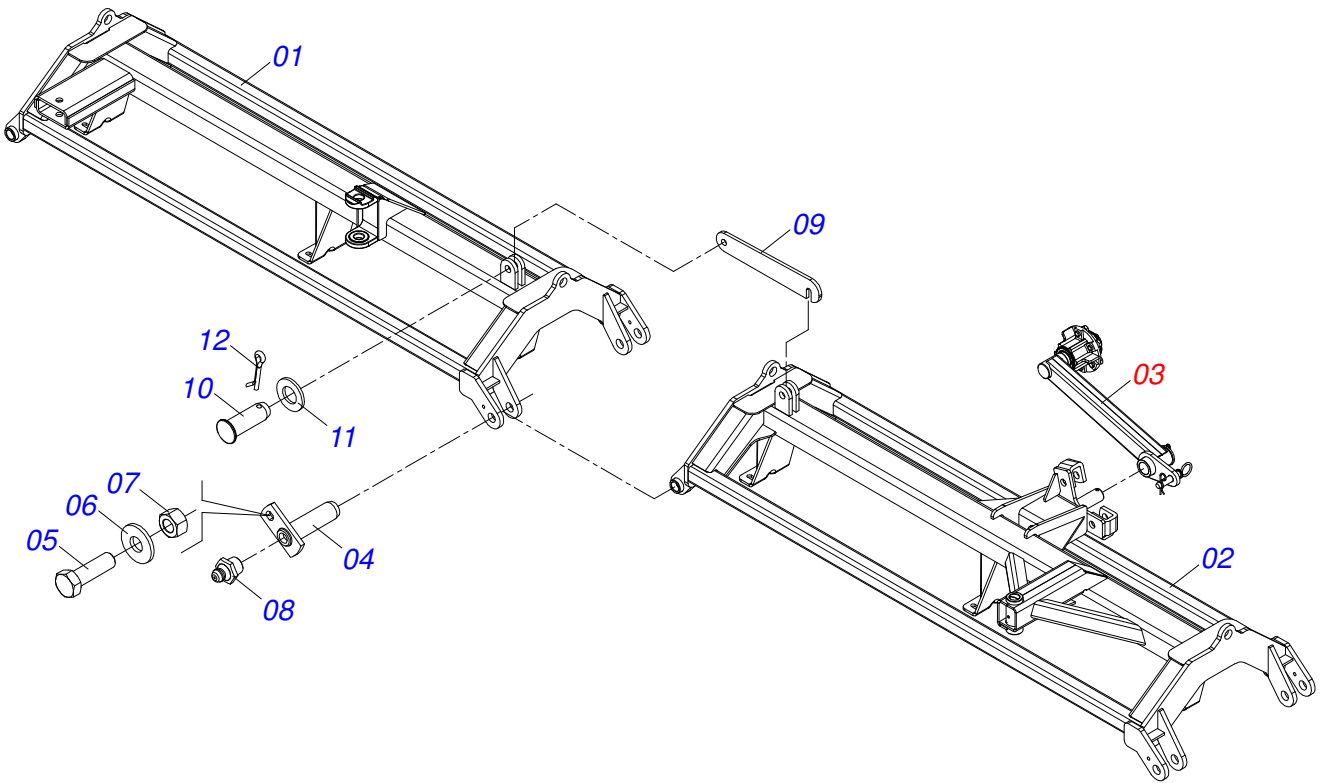
Item	Code	Description	QT
01	0521067668	RIGHT REAR FRAME	01
02	0521067666	REAR FRAME INTERNAL RIGHT	01
03	0521050970	ASSY WHEEL	01
04	0501063751	1.5" X 5.5" PIVOT SHAFT	02
05	0501010100	5/8 UNC X 2 C S G.5 BOLT	02
06	0501012140	FLAT WASHER	02
07	0503010013	5/8" NUT	02
08	0503010002	1800 GREASE FITTING	03
09	0501018941	TRANSPORT LOCK	01
10	0521010592	1.1" X 3.1" COUPLING SHAFT	02
11	0511017480	FLAT WASHER	02
12	0503010571	1/4" X 1.1/2 COTTERPIN	02



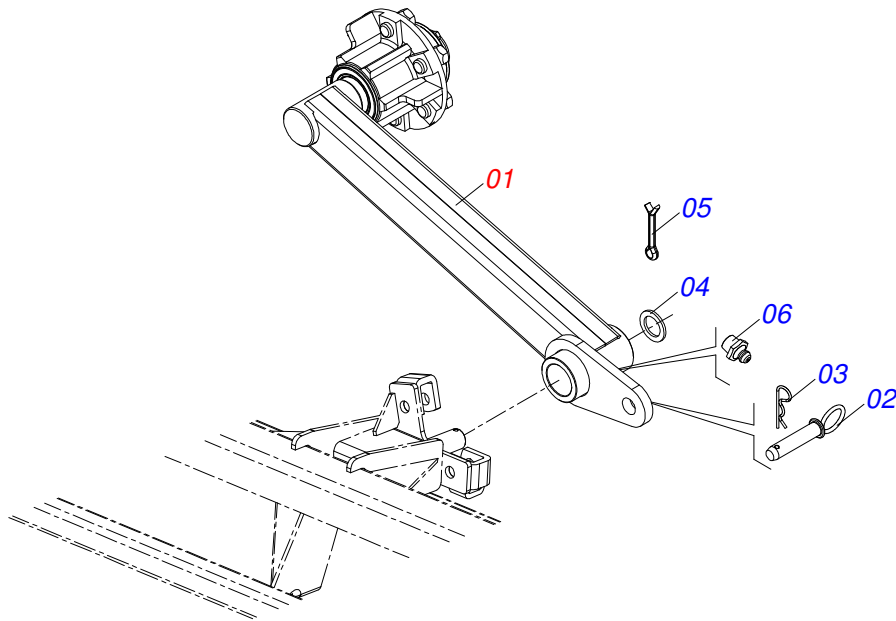
Item	Code	Description	QT
01	0521067664	LEFT REAR FRAME	01
02	0521067665	LEFT INTERNAL REAR CHASSIS	01
03	0521050970	ASSY WHEEL	01
04	0501063751	1.5" X 5.5" PIVOT SHAFT	02
05	0501010100	5/8 UNC X 2 C S G.5 BOLT	02
06	0501012140	FLAT WASHER	02
07	0503010013	5/8" NUT	02
08	0503010002	1800 GREASE FITTING	03
09	0501018941	TRANSPORT LOCK	01
10	0521010592	1.1" X 3.1" COUPLING SHAFT	02
11	0511017480	FLAT WASHER	02
12	0503010571	1/4" X 1.1/2 COTTERPIN	02



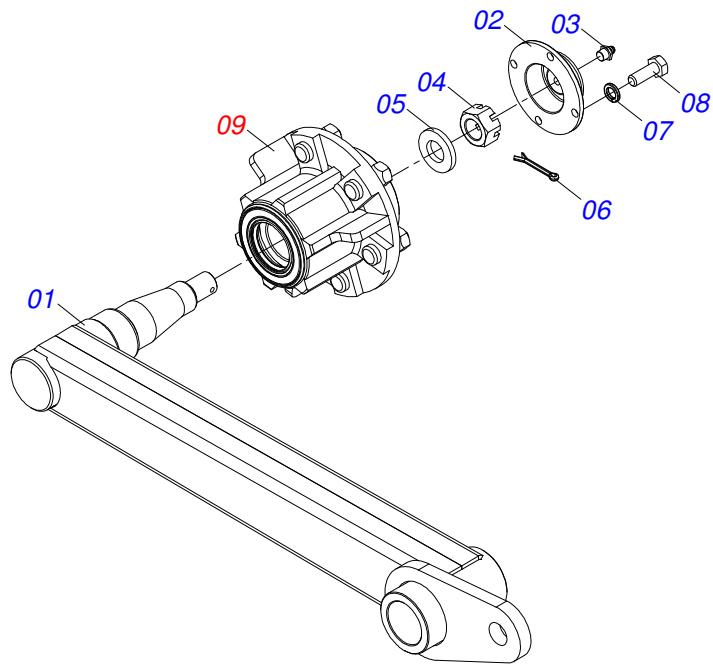
Item	Code	Description	QT
01	0521067653	FRAME FRONT RIGHT	01
02	0521067669	FRAME FRONT LEFT	01
03	0521050970	ASSY WHEEL	01
04	0501063751	1.5" X 5.5" PIVOT SHAFT	02
05	0501010100	5/8 UNC X 2 C S G.5 BOLT	02
06	0501012140	FLAT WASHER	02
07	0503010013	5/8" NUT	02
08	0503010002	1800 GREASE FITTING	02
09	0501018941	TRANSPORT LOCK	01
10	0521010592	1.1" X 3.1" COUPLING SHAFT	02
11	0511017480	FLAT WASHER	02
12	0503010571	1/4" X 1.1/2 COTTERPIN	02
13	0531019497	1.5" X 9.2" PIVOT SHAFT	01
14	0501012916	FLAT WASHER 38,50 X 66 X 4,75 ZN	01
15	0501011301	1.1/2 UNC 6FPP 2.5/16 NUT	01
16	0503010010	1/4" X 2.1/2" COTTERPIN	01



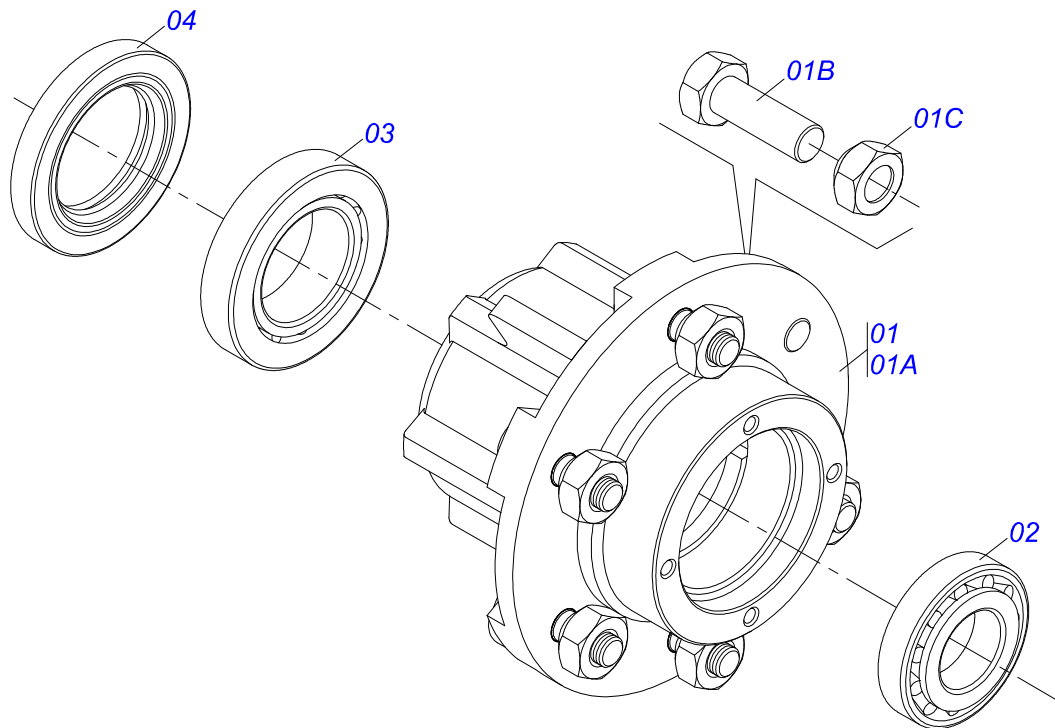
Item	Code	Description	QT
001	0521067655	REAR FRAME INTERNAL RIGHT	01
002	0521067656	LEFT INTERNAL REAR FRAME	01
003	0521050970	ASSY WHEEL	01
004	0501063751	1.5" X 5.5" PIVOT SHAFT	02
005	0501010100	5/8 UNC X 2 C S G.5 BOLT	02
006	0501012140	FLAT WASHER	02
007	0503010013	5/8" NUT	02
008	0503010002	1800 GREASE FITTING	03
009	0501018941	TRANSPORT LOCK	01
010	0521010592	1.1" X 3.1" COUPLING SHAFT	02
011	0511017480	FLAT WASHER	02
012	0503010571	1/4" X 1.1/2 COTTERPIN	02



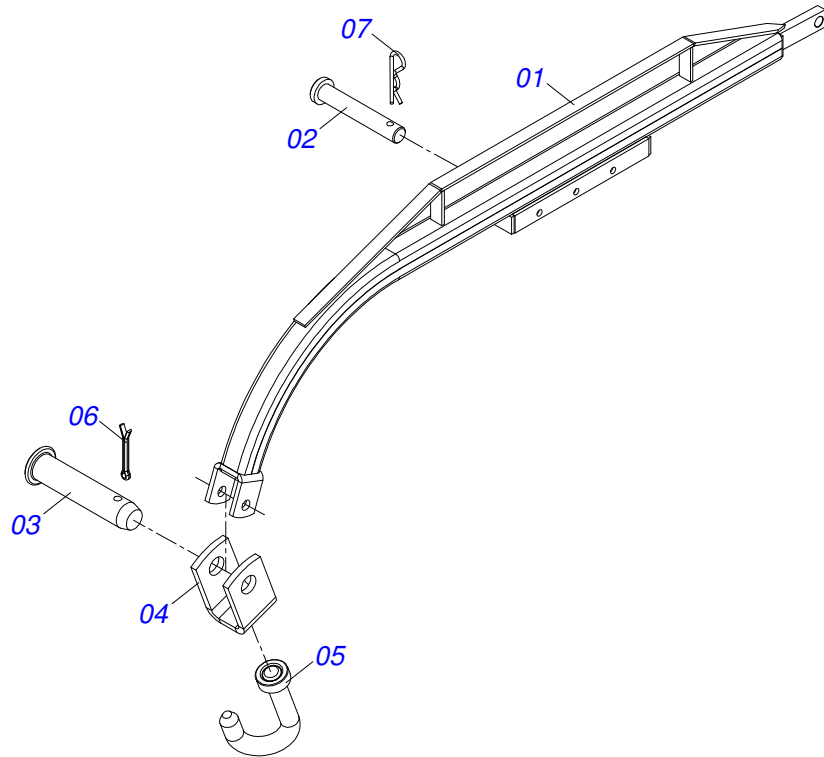
Item	Code	Description	QT
001	0511050078	WHEEL WITH HUB	01
002	0501068992	0.9" X 4.5" COUPLING SHAFT	01
003	0503030012	HAIR PIN	01
004	0501015875	FLAT WASHER	01
005	0503010534	3/8 X 2-1/2 COTTERPIN	01
006	0503010002	1800 GREASE FITTING	01



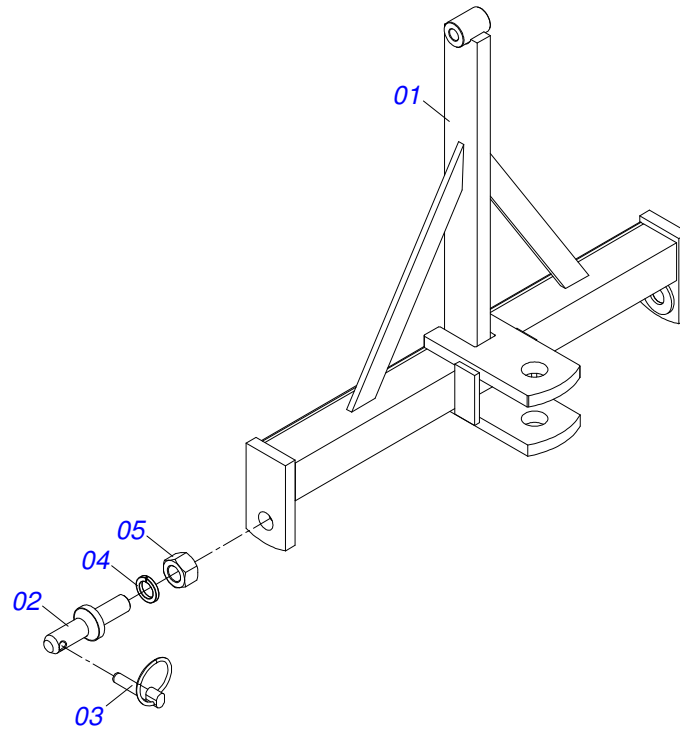
Item	Code	Description	QT
01	0521061622	WHEEL SUPPORT	01
02	0502020591	PROTECCION COVER	01
03	0503010002	1800 GREASE FITTING	01
04	0503030009	1" CASTLE NUT	01
05	0501016545	FLAT WASHER	01
06	0503010018	5/32 X 1-1/2 COTTERPIN	01
07	0503011444	SPRING WASHER	04
08	0503010358	5/16" X 5/8" BOLT	04
09	0501051142	CARRYING WHEEL HUB	01



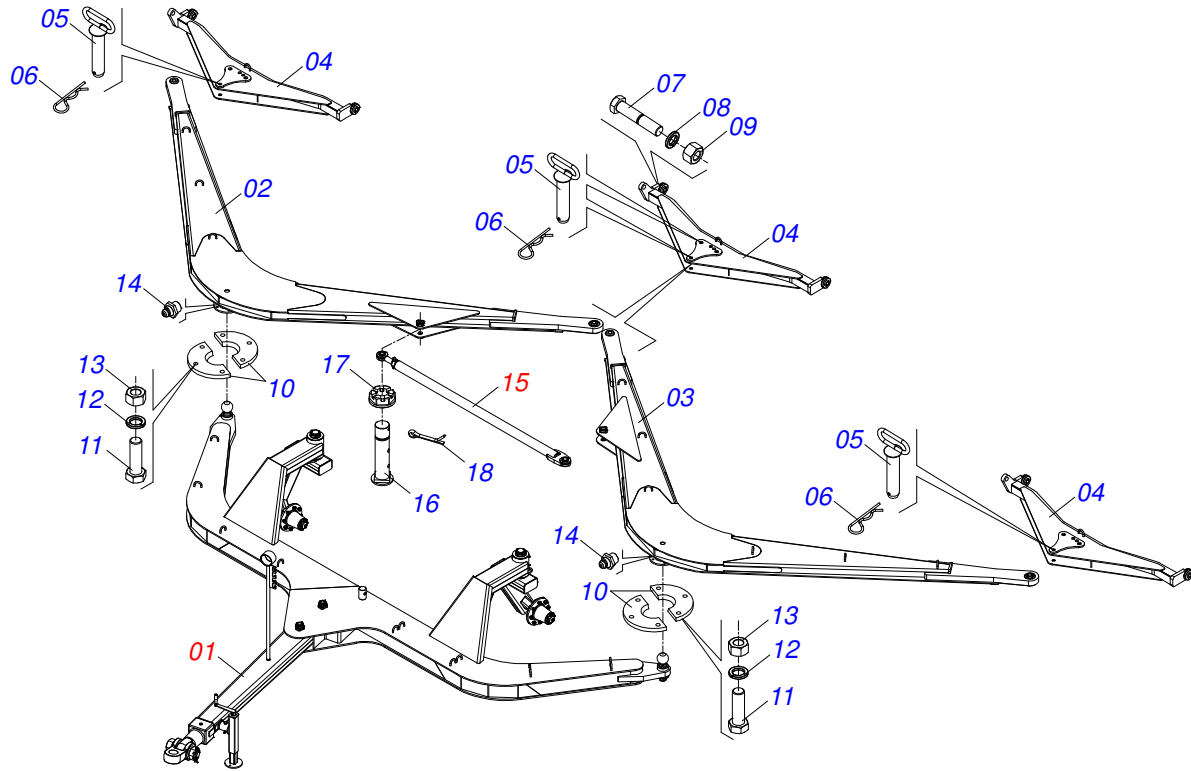
Item	Code	Description	QT
01	0501110728	WHEEL HUB	01
01A	0502011121	CARRYING WHEEL HUB	01
01B	0501010127	9/16" X 1-7/8" LUG BOLT	06
01C	0503010035	9/16" CONIC NUT	06
02	0503010037	30207 ROLLER BEARING	01
03	0503010006	32210 ROLLER BEARING	01
04	0503012928	SEAL	01



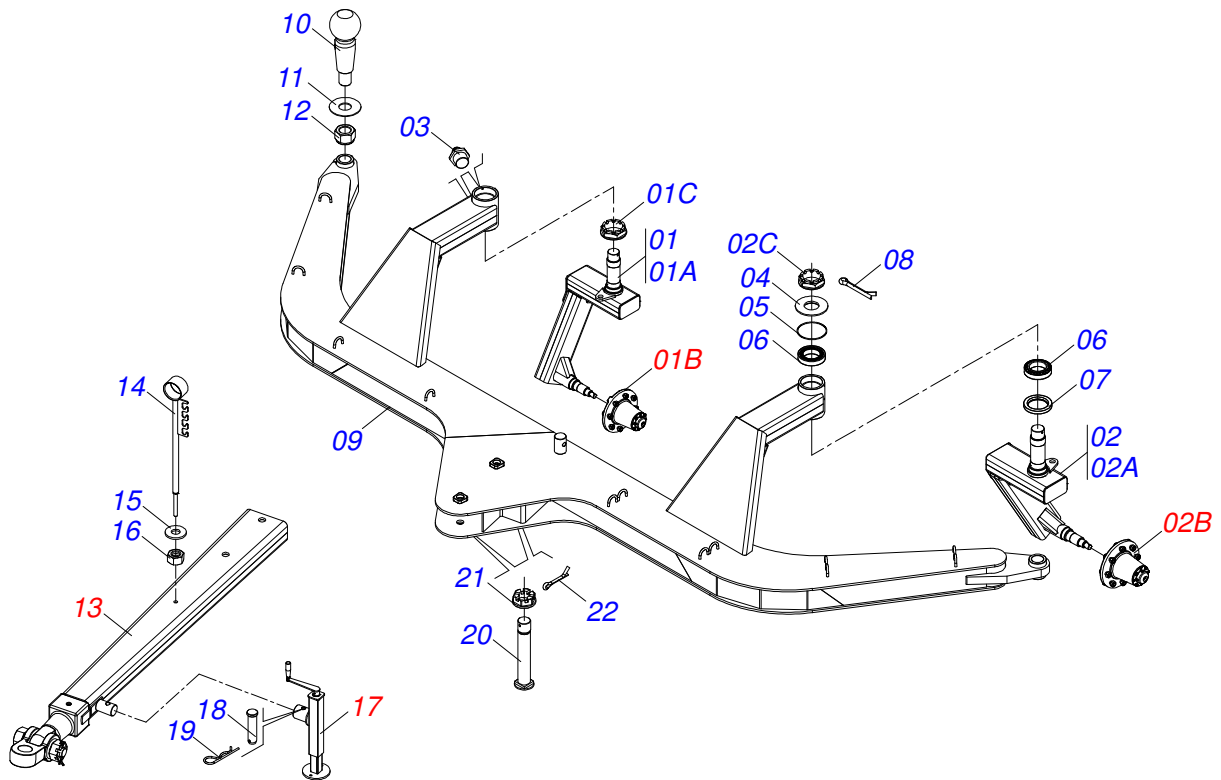
Item	Code	Description	QT
01	0501062595	FRAME GAT 800	01
02	0501011388	COUPLING SHAFT	01
03	0521010579	COUPLING SHAFT	01
04	0511016686	U HOOK	01
05	0501067537	25,4 X 100 HOOK	01
06	0503010018	5/32 X 1-1/2 COTTERPIN	01
07	0503030168	HAIR PIN	01



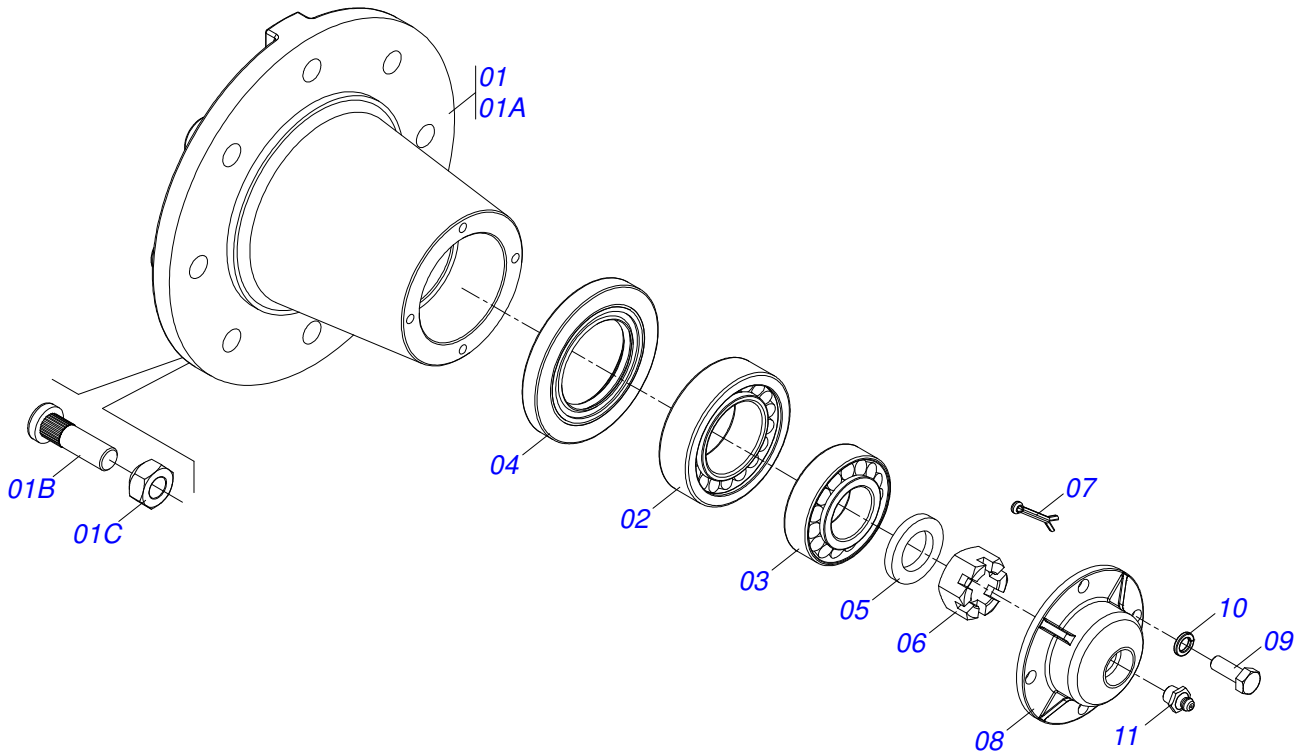
Item	Code	Description	QT
01	0511062944	DRAWBAR	01
02	0521010635	2" X 5.7" COUPLING SHAFT	02
03	0503030430	7/16 X 2" PIN LOCK	02
04	0503011438	SPRING WASHER	02
05	0503010340	1" NUT	02



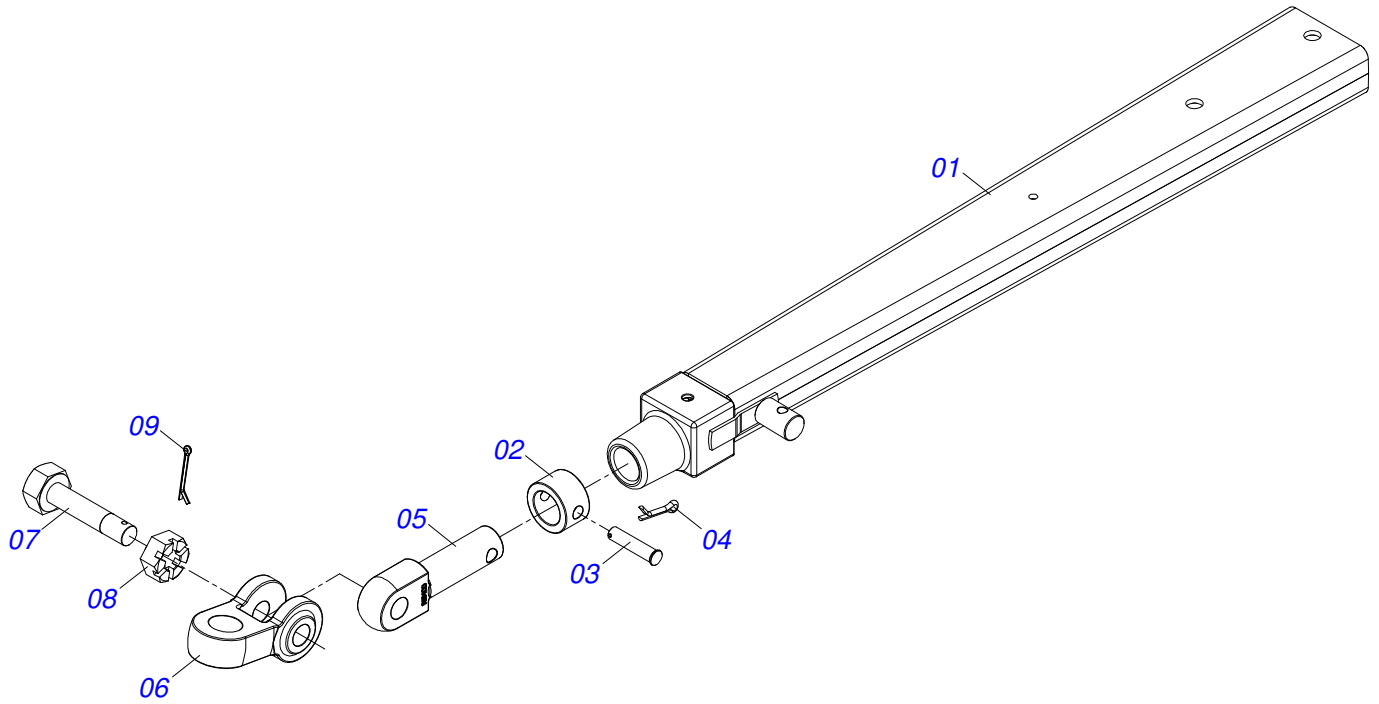
Item	Code	Description	QT
01	0521050977	DOUBLE HEADER	01
02	0521067659	RIGHT HITCH BAR	01
03	0521067658	HITCH LEFT BAR	01
04	0521065186	HITCH BAR	03
05	0511062895	31,75 X 150 COUPLING SHAFT	04
06	0503030012	HAIR PIN	04
07	0501010426	1-1/4" X 6" BOLT	06
08	0503010070	SPRING WASHER	06
09	0501010087	1.1/4" NUT	06
10	0551016939	FLANGE BI-LEAVING	04
11	0501010100	5/8 UNC X 2 C S G.5 BOLT	12
12	0503010027	SPRING WASHER	12
13	0503010013	5/8" NUT	12
14	0503010002	1800 GREASE FITTING	02
15	0521044665	FULL EXTENSOR	01
16	0571012612	PIVOT SHAFT	02
17	0501011301	1.1/2 UNC 6FPP 2.5/16 NUT	02
18	0503010010	1/4" X 2.1/2" COTTERPIN	02



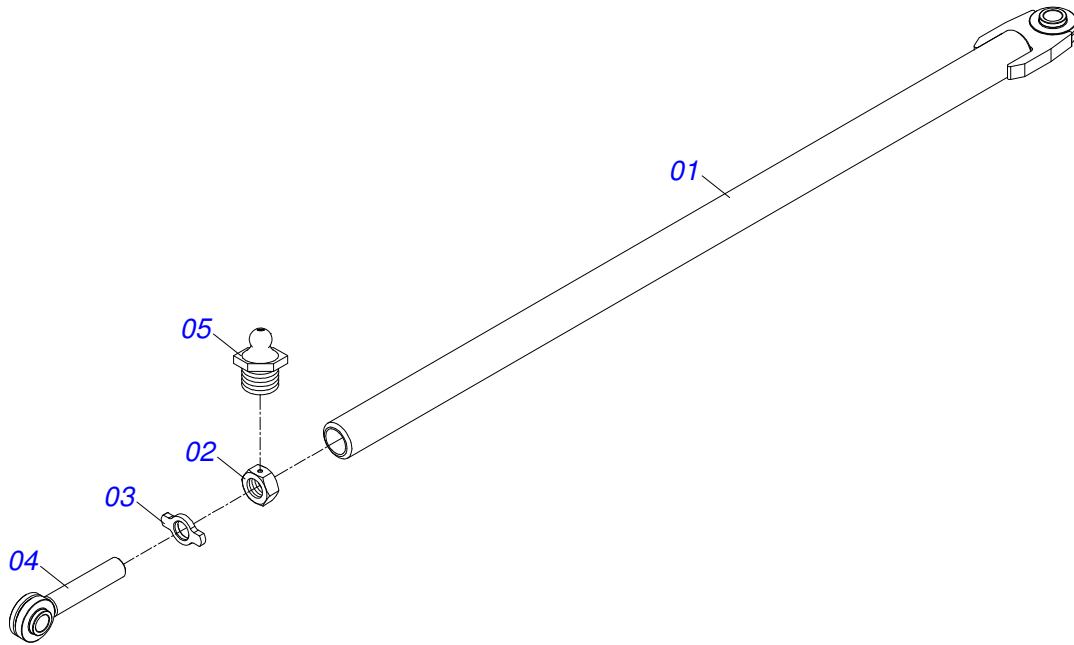
Item	Code	Description	QT
01	0511054563	RH WHEEL ARM	01
01A	0521060221	RIGHT CARRYING-WHEELS SUPPORT	01
01B	0501058791	STUB SHAFT & HUB ASSY	01
01C	0502040080	2.1/2" UM FLANGE NUT	01
02	0511054564	LH WHEEL ARM	01
02A	0521060219	LEFT CARRYING-WHEELS SUPPORT	01
02B	0501058791	STUB SHAFT & HUB ASSY	01
02C	0502040080	2.1/2" UM FLANGE NUT	01
03	0503010002	1800 GREASE FITTING	04
04	0541016926	HUB COVER	02
05	0503012314	2-248 1G05195 O'RING	02
06	0503010059	33287/33462 ROLLER BEARING	04
07	0503010050	SEAL 00085-B	02
08	0503010073	3/8 X 3-1/2 COTTERPIN	02
09	0521067660	BAR	01
10	0541015756	HITCH PIN MALE	02
11	0521011721	1.6" X 3.94" X 0.12" WASHER	02
12	0503010290	SELF ADJUSTING 1.1/2" UNF NUT	02
13	0521043351	FULL DRAW BAR	01
14	0521062849	HOSE HOLDER ASSY	01
15	0501010322	FLAT WASHER	01
16	0503010014	3/4" NUT	01
17	0511048088	DRAWBAR JACK	01
18	0561014251	COUPLING SHAFT	01
19	0503030168	HAIR PIN	01
20	0571013022	AXIS	02
21	0501011301	1.1/2 UNC 6FPP 2.5/16 NUT	02
22	0503010010	1/4" X 2.1/2" COTTERPIN	02



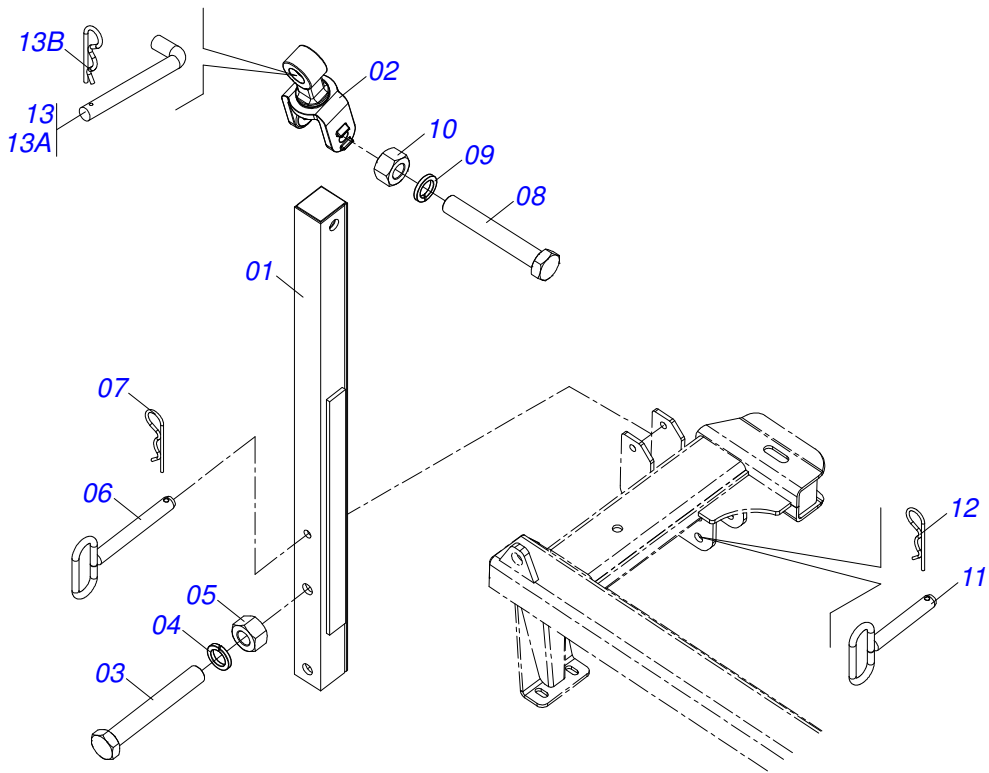
Item	Code	Description	QT
01	0501110738	CARRYING WHEEL HUB	01
01A	0502012260	CAIXA RODADO TRANSPORTE GCRO 2240	01
01B	0501010186	PARAFUSO ROD 5/8UNF X 2.1/8CR	08
01C	0503010064	PORCA CONICA 5/8 NF	08
02	0503010008	ROLAMENTO 3780/37203	01
03	0503011156	ROLAMENTO 2780/2720 IMP	01
04	0503013314	RETENTOR 5166-GB 63,5 X 110 X 13 ARCA	01
05	0511012492	ARRUELA LISA 28 X 46 X 6,30	01
06	0503030009	1" CASTLE NUT	01
07	0503010018	5/32 X 1-1/2 COTTERPIN	01
08	0502020591	PROTECCION COVER	01
09	0503010358	5/16" X 5/8" BOLT	04
10	0503011444	SPRING WASHER	04
11	0503010002	1800 GREASE FITTING	01



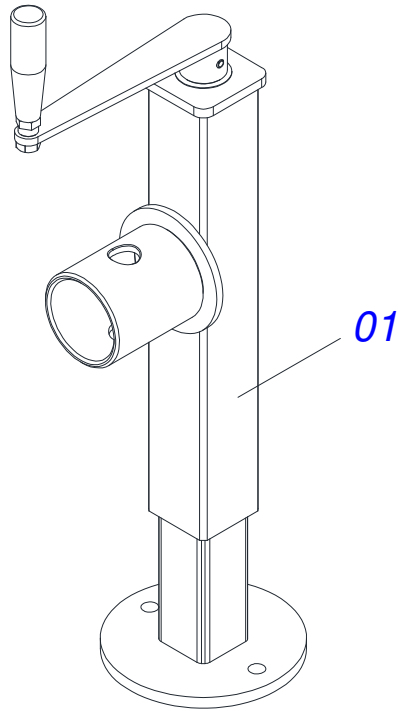
Item	Code	Description	QT
01	0521064455	BAR	01
02	0502040263	ANEL TRAVA ENGATE	01
03	0561017306	COUPLING SHAFT	01
04	0503010523	1/4" X 2" COTTERPIN	01
05	1902040264	HITCH PIN	01
06	0502040849	U COUPLING	01
07	0511067199	2" BOLT	01
08	0502040558	2" CASTLE NUT	01
09	0503010074	3/8 X 0,15" COTTERPIN	01



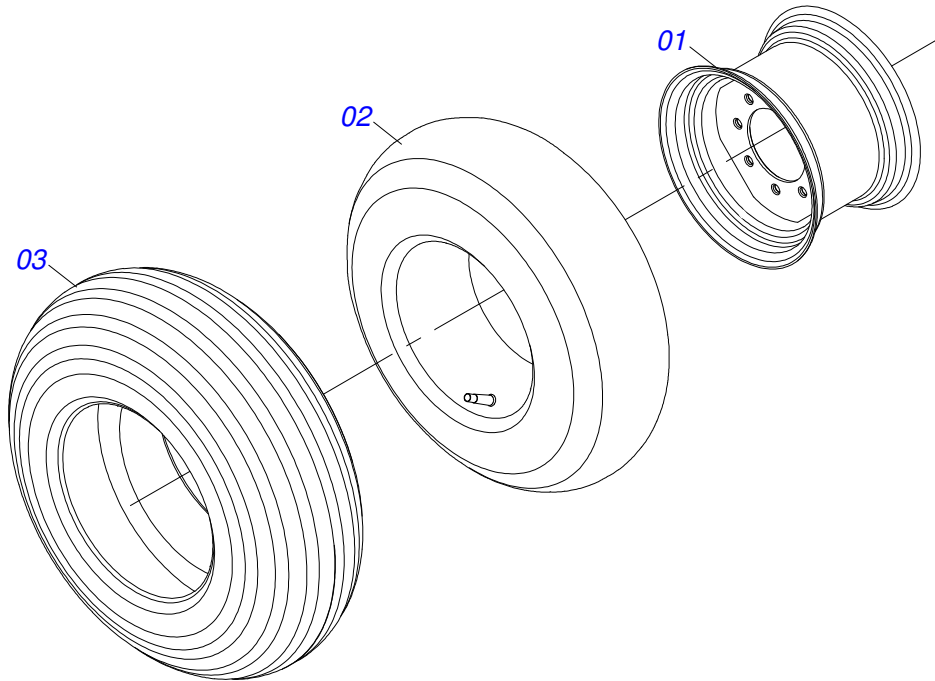
Item	Code	Description	QT
01	0521044665	FULL EXTENSOR	01
02	0521065181	ADJUSTING NUT	01
03	0551010782	RIGHT LOCKNUT	01
04	0521065182	SCREW	01
05	0503010002	1800 GREASE FITTING	01



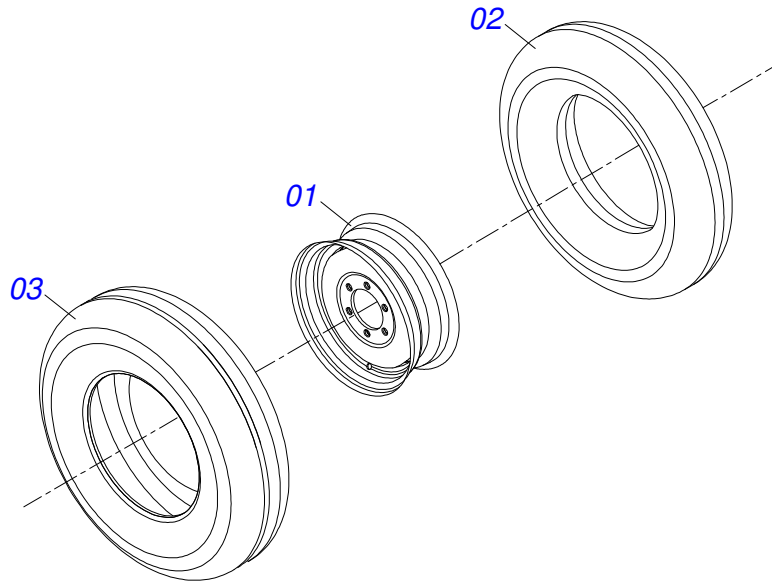
Item	Code	Description	QT
001	0501060188	DRAWBAR ASSY	01
002	0521061775	TRACTOR HITCH	01
003	0501010334	1" X 7" BOLT	01
004	0503010012	1" SPRING WASHER	01
005	0501010059	1.5/8 NUT	01
006	0521064088	LOCK AXLE	01
007	0503030012	HAIR PIN	01
008	0501010334	1" X 7" BOLT	01
009	0503010012	1" SPRING WASHER	01
010	0501010059	1.5/8 NUT	01
011	0521067644	JUNCTION SHAFT	01
012	0503031035	HAIR PIN	01
013	0501040343	DDRAWBOLT ASSY	01
013A	0521010453	GCOUPLING SHAFT	01
013B	0503031035	HAIR PIN	01



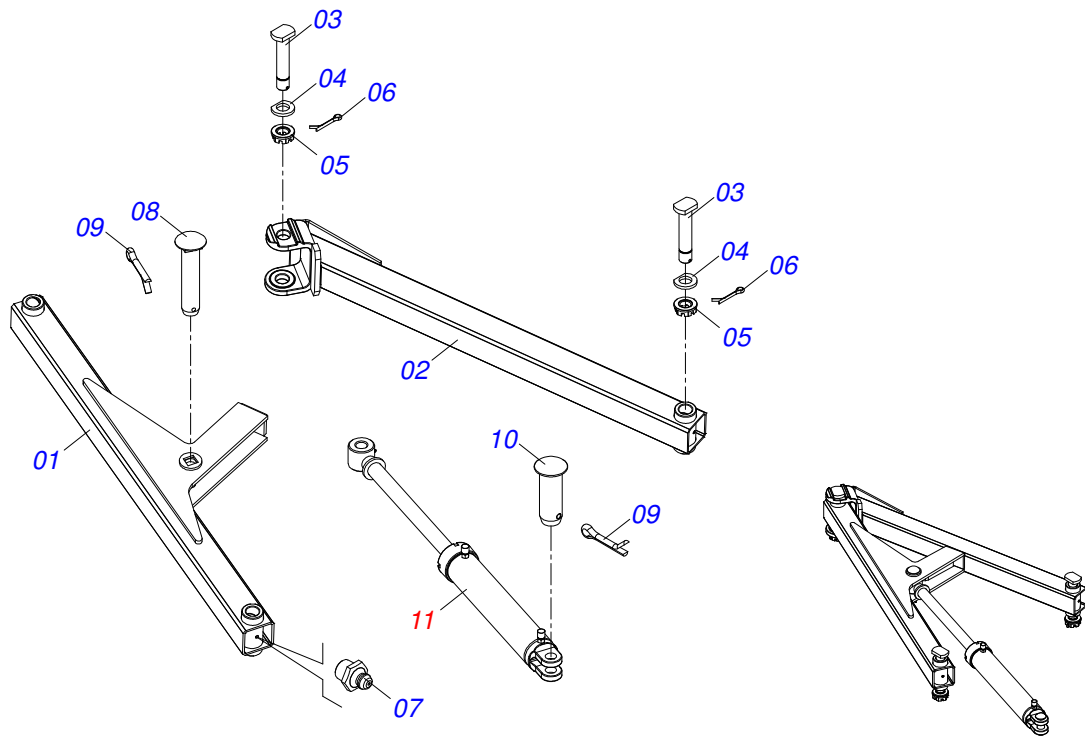
Item	Code	Description	QT
01	0503062227	DRAWBAR JACK	01



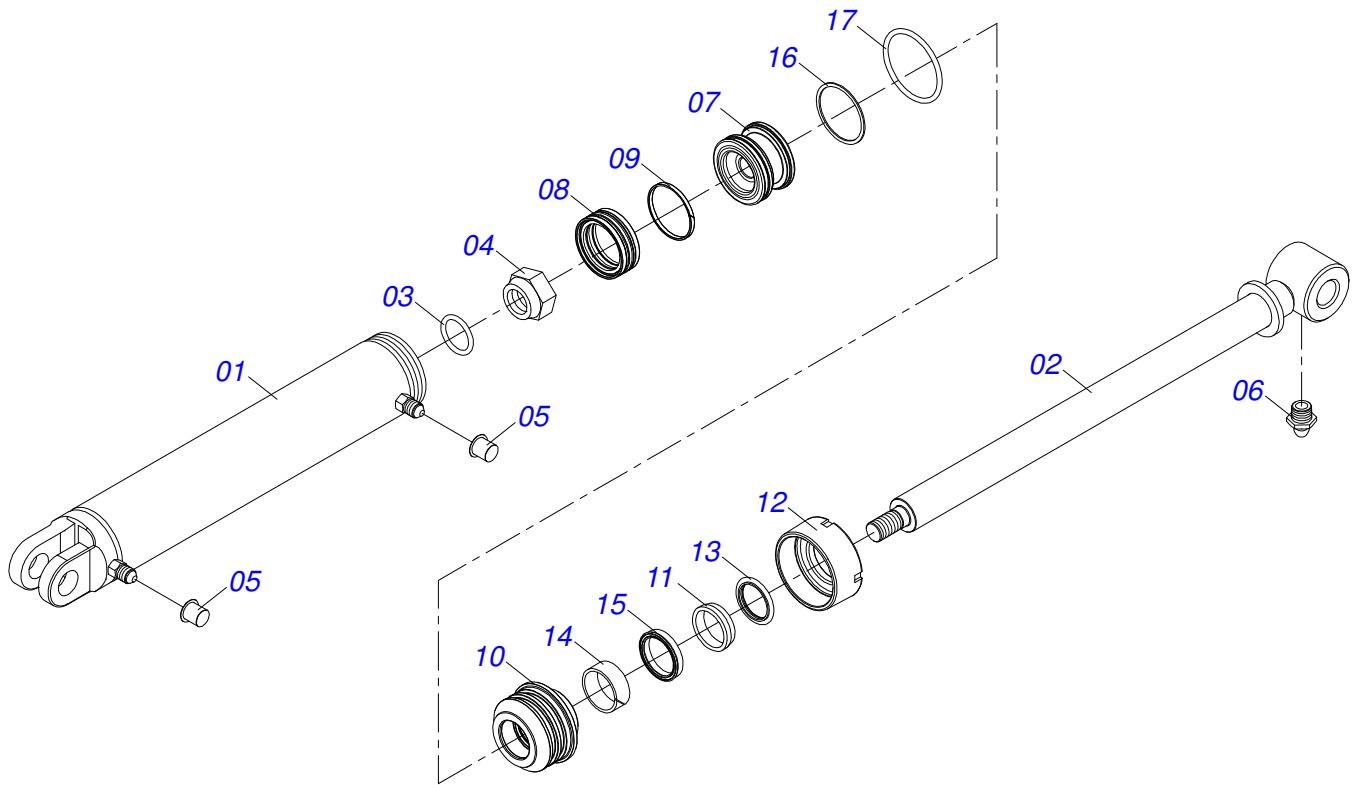
Item	Code	Description	QT
01	0503012108	RODA 10 LB X 15 X 8F X 203 GCRO	01
02	0503010860	CAMARA AR 11L 15	01
03	0503010858	CANVAS TIRE	01



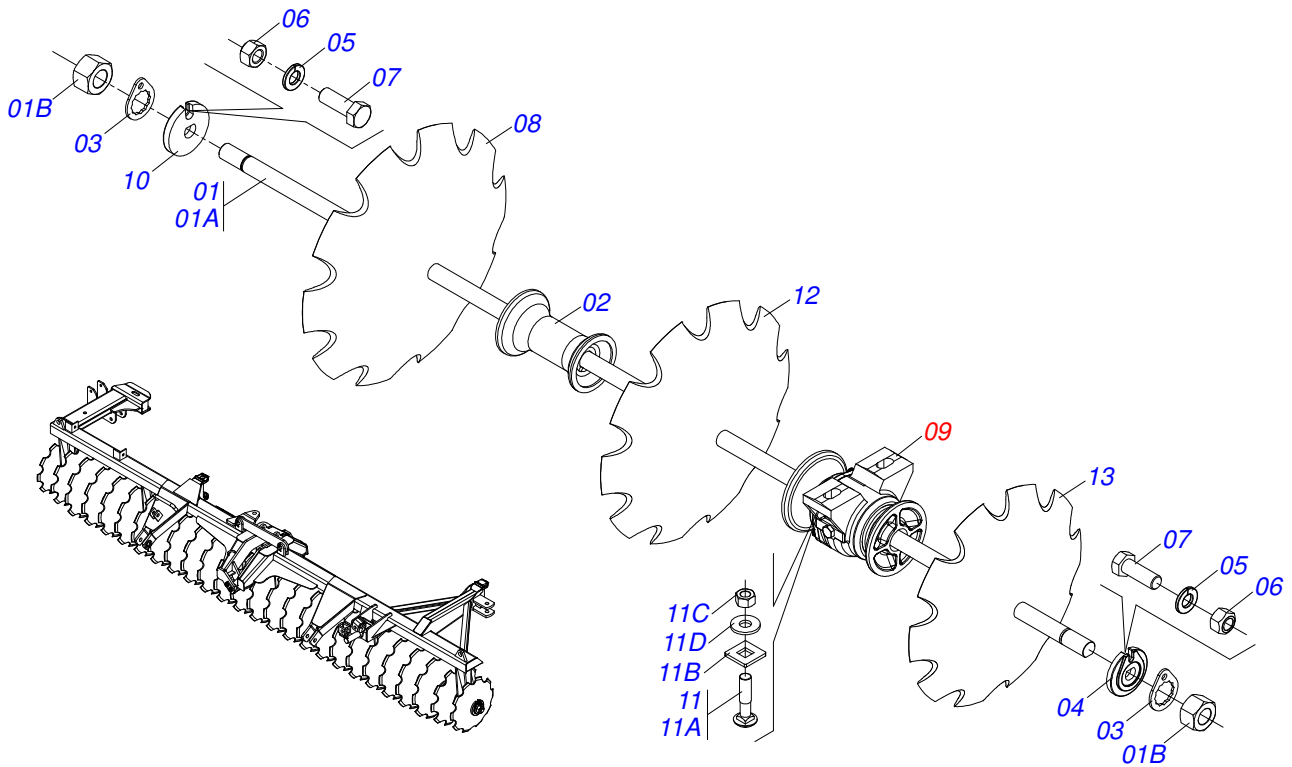
Item	Code	Description	QT
01	0503010893	WHEEL	01
02	0503010033	7.50 X 16 INNER TIRE	01
03	0503010120	CANVAS TIRE	01



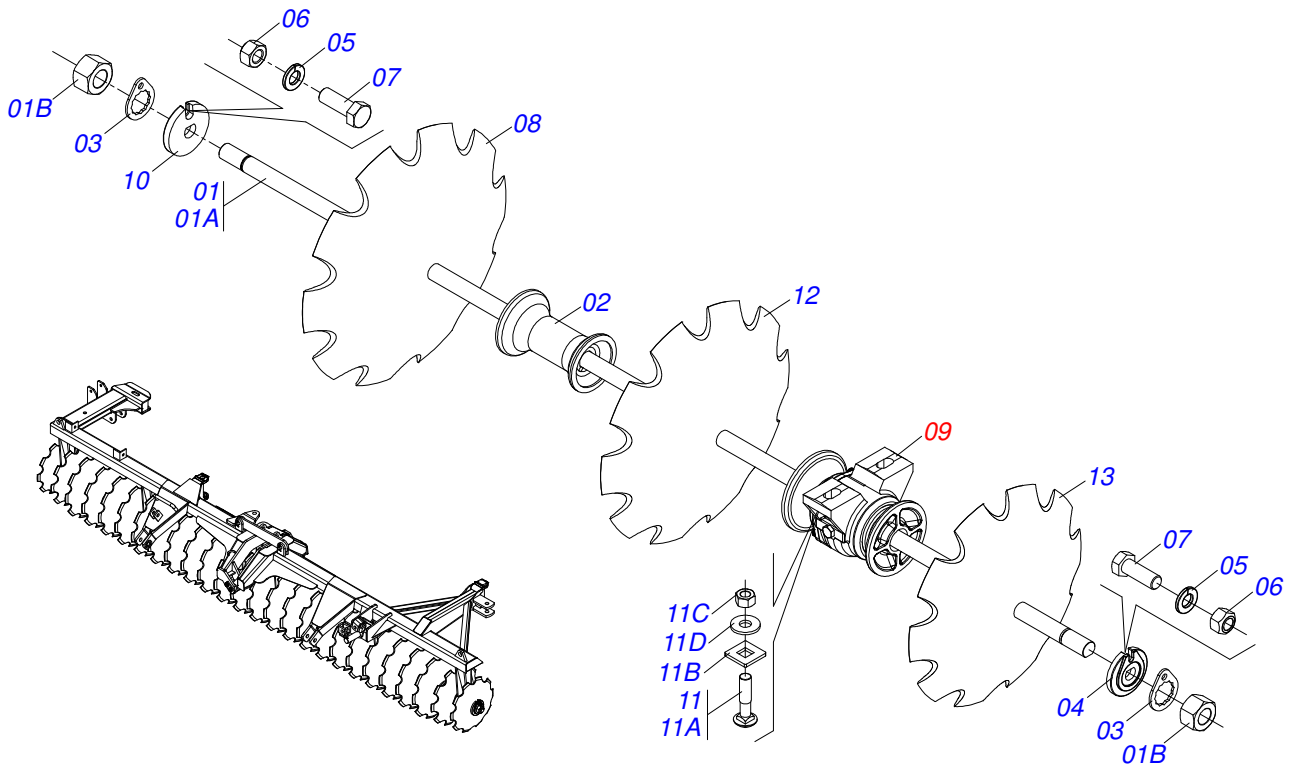
Item	Code	Description	QT
01	0511064087	FRONT STABILIZER BAR	03
02	0511064088	REAR STABILIZER BAR	03
03	0531019497	1.5" X 9.2" PIVOT SHAFT	09
04	0501012916	FLAT WASHER 38,50 X 66 X 4,75 ZN	09
05	0501011301	1.1/2 UNC 6FPP 2.5/16 NUT	09
06	0503010010	1/4" X 2.1/2" COTTERPIN	09
07	0503010002	1800 GREASE FITTING	09
08	0521013077	1.2" X 5.7" PIVOT SHAFT	03
09	0503010523	1/4" X 2" COTTERPIN	04
10	0521012538	1.2" X 3.5" COUPLING SHAFT	03
11	0511058461	HYDRAULIC CYLINDER	03



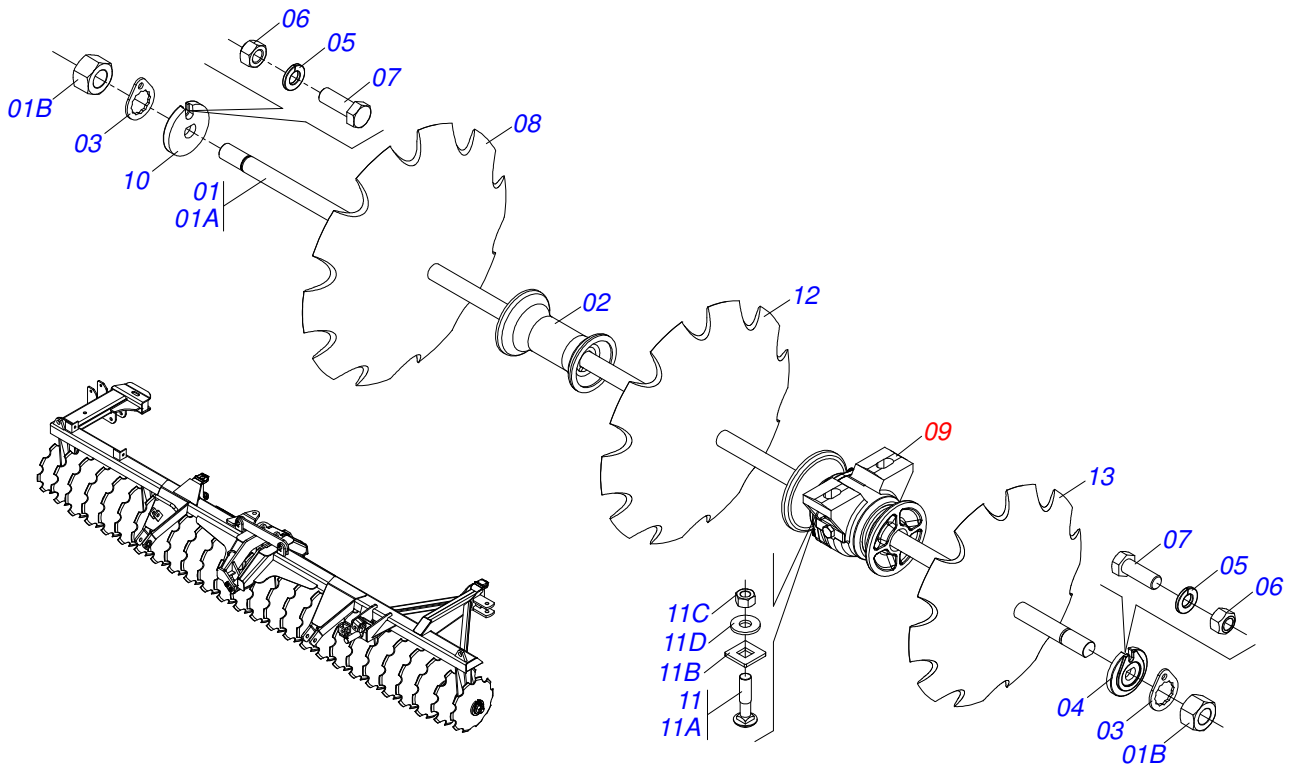
Item	Code	Description	QT
001	0521063982	CYLINDER CASE	01
002	0521061065	44,45 X 697 TURNBUCLE	01
003	0503010042	2-214 N 3006-9B O'RING	01
004	0503010063	1" SELF-ALIGNING NUT	01
005	0503030385	PLUG	02
006	0503010002	1800 GREASE FITTING	01
007	0571019710	1.7" X 3.4" PISTON	01
008	0503017935	RING	01
009	0503018144	RING	01
010	0571019711	RING SUPPORT	01
011	0503010761	D-1750 SCRAPER RING	01
012	0571019709	DETACHABLE COVER	01
013	0503017936	RING	01
014	0503017938	RING GUIDE	01
015	0503017937	GASKET	01
016	0503017940	8-337 BACK-UP RING	02
017	0503017939	2-337 N 3006-9B O' RING	02



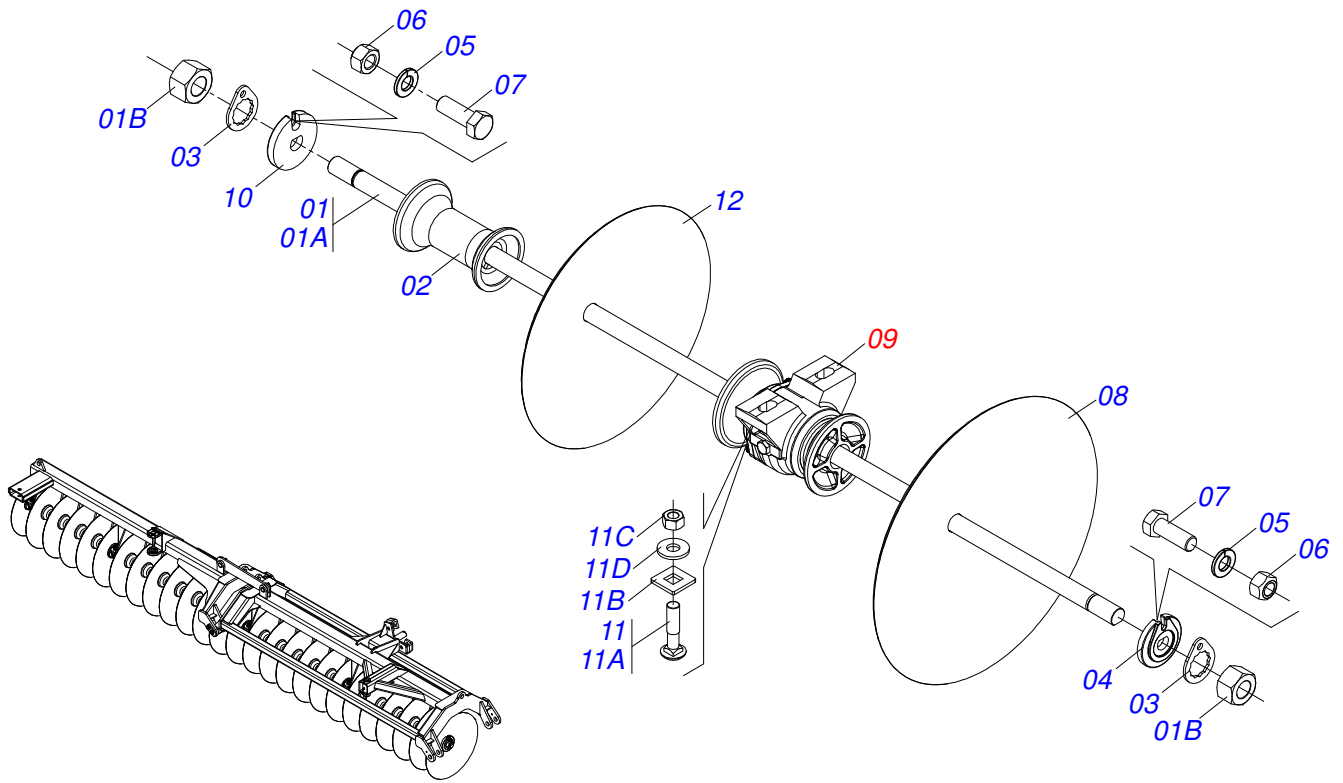
Item	Code	Description	QT
01	0511054527	AXIS 1.1/2" UNC X 2490 WITH NUTS	02
01A	0531019372	AXIS 1.1/2 6FPP X 2490	02
01B	0501010110	1.1/2" NUT	04
02	0502010627	SPACER	18
03	0501018592	1.5/8" NUT LOCK	04
04	0502010871	1-1/2" EXTERNAL AXLE WASHER	02
05	0503010027	SPRING WASHER	04
06	0503010013	5/8" NUT	04
07	0503011267	5/8" X 1.1/2" BOLT	04
08	0602029416	DR22X4,5 C64AF02FR1.9/16 10REC TATU	24
09	0501047055	BEARING	06
10	0502010872	1-1/2" INNER AXLE WASHER	02
11	0501058802	5/8 UNC X 2.3/4 BOLT ASSY	12
11A	0503015154	5/8" X 2.3/4" BOLT	12
11B	0501010947	5/8 NUT LOCK	12
11C	0503010013	5/8" NUT	24
11D	0501012140	FLAT WASHER	12
12	0602025263	18" X 4,5 NOTCHED DISC BLADE	01
13	0602023109	DR16X4,5 C38AF02FR1.9/16 08REC TATU	01



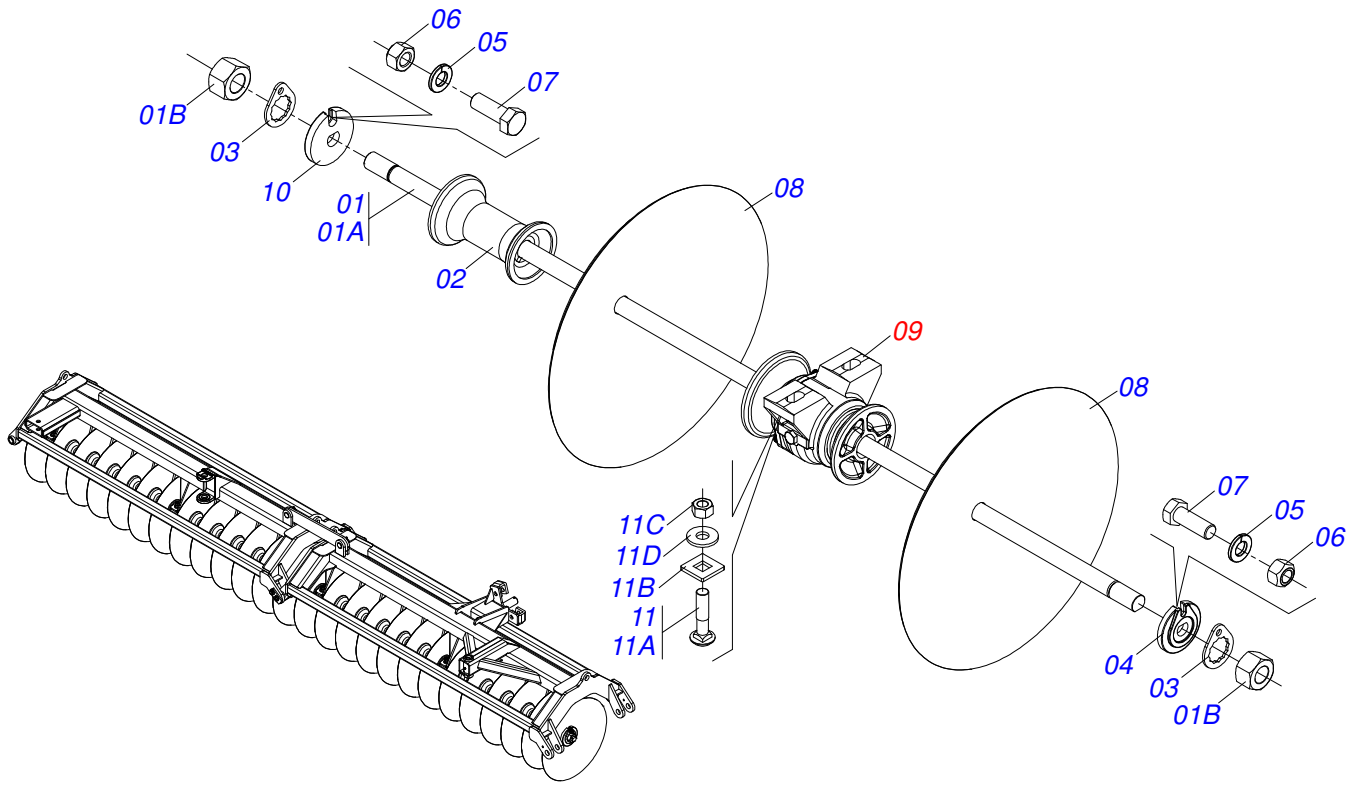
Item	Code	Description	QT
01	0511054527	AXIS 1.1/2" UNC X 2490 WITH NUTS	02
01A	0531019372	AXIS 1.1/2 6FPP X 2490	02
01B	0501010110	1.1/2" NUT	04
02	0502010627	SPACER	18
03	0501018592	1.5/8" NUT LOCK	04
04	0502010871	1-1/2" EXTERNAL AXLE WASHER	02
05	0503010027	SPRING WASHER	04
06	0503010013	5/8" NUT	04
07	0503011267	5/8" X 1.1/2" BOLT	04
08	0602029416	DR22X4,5 C64AF02FR1.9/16 10REC TATU	22
09	0501047055	BEARING	06
10	0502010872	1-1/2" INNER AXLE WASHER	02
11	0501058802	5/8 UNC X 2.3/4 BOLT ASSY	12
11A	0503015154	5/8" X 2.3/4" BOLT	12
11B	0501010947	5/8 NUT LOCK	12
11C	0503010013	5/8" NUT	24
11D	0501012140	FLAT WASHER	12
12	0602025263	18" X 4,5 NOTCHED DISC BLADE	02
13	0602023109	DR16X4,5 C38AF02FR1.9/16 08REC TATU	02



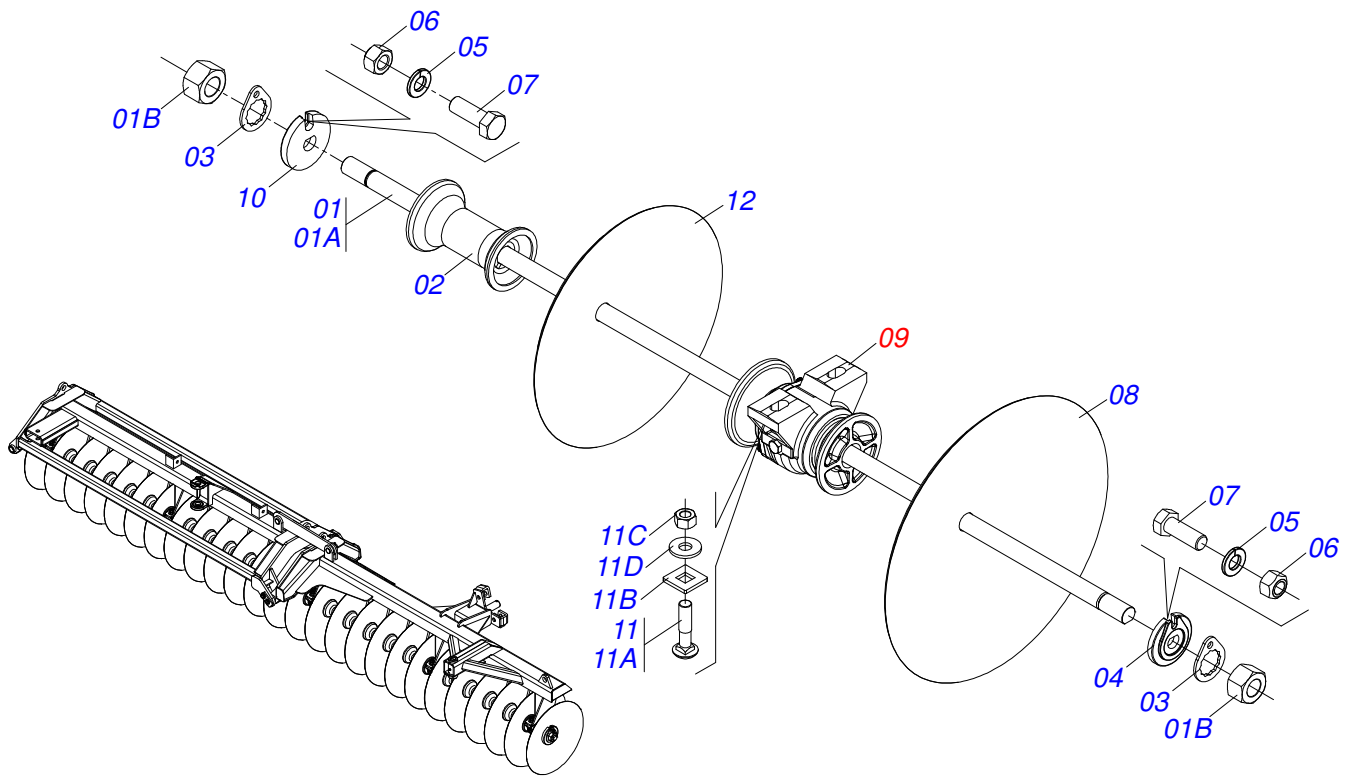
Item	Code	Description	QT
01	0511054527	AXIS 1.1/2" UNC X 2490 WITH NUTS	02
01A	0531019372	AXIS 1.1/2 6FPP X 2490	02
01B	0501010110	1.1/2" NUT	04
02	0502010627	SPACER	18
03	0501018592	1.5/8" NUT LOCK	04
04	0502010871	1-1/2" EXTERNAL AXLE WASHER	02
05	0503010027	SPRING WASHER	04
06	0503010013	5/8" NUT	04
07	0503011267	5/8" X 1.1/2" BOLT	04
08	0602029416	DR22X4,5 C64AF02FR1.9/16 10REC TATU	24
09	0501047055	BEARING	06
10	0502010872	1-1/2" INNER AXLE WASHER	02
11	0501058802	5/8 UNC X 2.3/4 BOLT ASSY	12
11A	0503015154	5/8" X 2.3/4" BOLT	12
11B	0501010947	5/8 NUT LOCK	12
11C	0503010013	5/8" NUT	24
11D	0501012140	FLAT WASHER	12
12	0602025263	18" X 4,5 NOTCHED DISC BLADE	01
13	0602023109	DR16X4,5 C38AF02FR1.9/16 08REC TATU	01



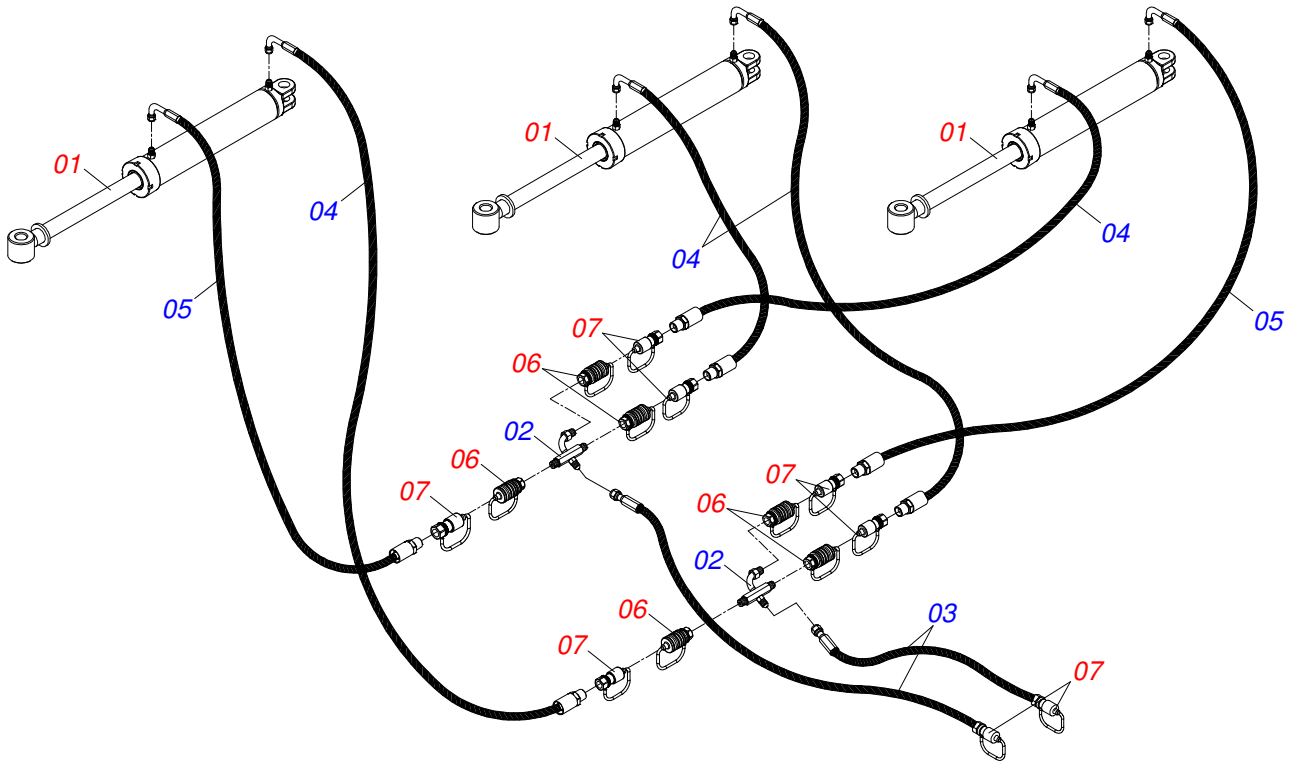
Item	Code	Description	QT
01	0511054527	AXIS 1.1/2" UNC X 2490 WITH NUTS	02
01A	0531019372	AXIS 1.1/2 6FPP X 2490	02
01B	0501010110	1.1/2" NUT	04
02	0502010627	SPACER	18
03	0501018592	1.5/8" NUT LOCK	04
04	0502010871	1-1/2" EXTERNAL AXLE WASHER	02
05	0503010027	SPRING WASHER	04
06	0503010013	5/8" NUT	04
07	0503011267	5/8" X 1.1/2" BOLT	04
08	0601029413	DL22X4,5 C64AF02FR1.9/16 TATU	25
09	0501047055	BEARING	06
10	0502010872	1-1/2" INNER AXLE WASHER	02
11	0501058802	5/8 UNC X 2.3/4 BOLT ASSY	12
11A	0503015154	5/8" X 2.3/4" BOLT	12
11B	0501010947	5/8 NUT LOCK	12
11C	0503010013	5/8" NUT	24
11D	0501012140	FLAT WASHER	12
12	0601025085	DL18X4,5 C44AF02FR39,29 WIESE	01



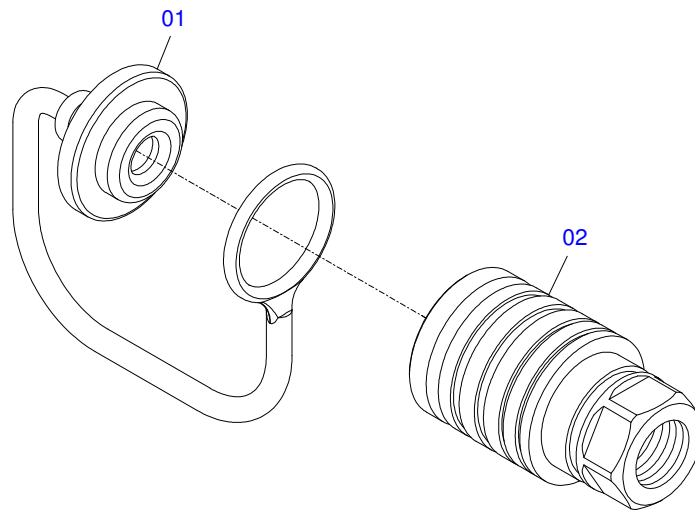
Item	Code	Description	QT
01	0511054527	AXIS 1.1/2" UNC X 2490 WITH NUTS	02
01A	0531019372	AXIS 1.1/2 6FPP X 2490	02
01B	0501010110	1.1/2" NUT	04
02	0502010627	SPACER	18
03	0501018592	1.5/8" NUT LOCK	04
04	0502010871	1-1/2" EXTERNAL AXLE WASHER	02
05	0503010027	SPRING WASHER	04
06	0503010013	5/8" NUT	04
07	0503011267	5/8" X 1.1/2" BOLT	04
08	0601029413	DL22X4,5 C64AF02FR1.9/16 TATU	26
09	0501047055	BEARING	06
10	0502010872	1-1/2" INNER AXLE WASHER	02
11	0501058802	5/8 UNC X 2.3/4 BOLT ASSY	12
11A	0503015154	5/8" X 2.3/4" BOLT	12
11B	0501010947	5/8 NUT LOCK	12
11C	0503010013	5/8" NUT	24
11D	0501012140	FLAT WASHER	12



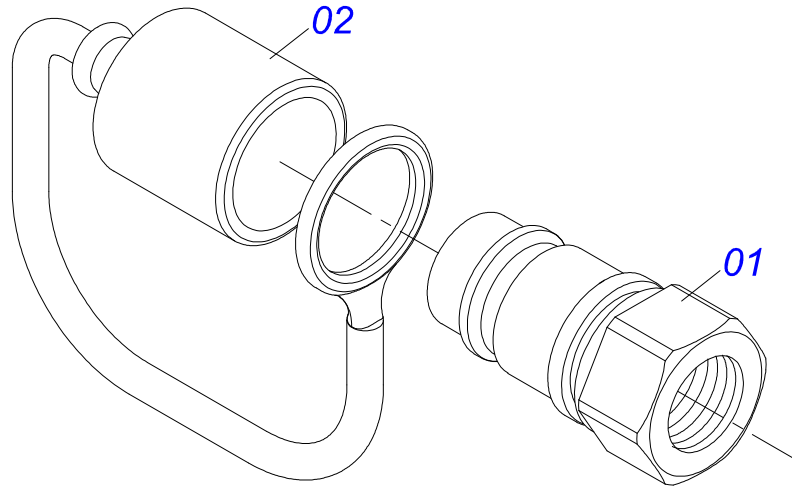
Item	Code	Description	QT
01	0511054527	AXIS 1.1/2" UNC X 2490 WITH NUTS	02
01A	0531019372	AXIS 1.1/2 6FPP X 2490	02
01B	0501010110	1.1/2" NUT	04
02	0502010627	SPACER	18
03	0501018592	1.5/8" NUT LOCK	04
04	0502010871	1-1/2" EXTERNAL AXLE WASHER	02
05	0503010027	SPRING WASHER	04
06	0503010013	5/8" NUT	04
07	0503011267	5/8" X 1.1/2" BOLT	04
08	0601029413	DL22X4,5 C64AF02FR1.9/16 TATU	25
09	0501047055	BEARING	06
10	0502010872	1-1/2" INNER AXLE WASHER	02
11	0501058802	5/8 UNC X 2.3/4 BOLT ASSY	12
11A	0503015154	5/8" X 2.3/4" BOLT	12
11B	0501010947	5/8 NUT LOCK	12
11C	0503010013	5/8" NUT	24
11D	0501012140	FLAT WASHER	12
12	0601025085	DL18X4,5 C44AF02FR39,29 WIESE	01



Item	Code	Description	QT
01	0511058461	HYDRAULIC CYLINDER	03
02	0521064325	OIL DISTRIBUTOR	02
03	0501080361	3/8" X 157" TR-TM HOSE ASSY	02
04	0501080458	3/8" X 315" TC-TM HOSE ASSY	04
05	0501080459	3/8" X 322" TC-TM HOSE ASSY	02
06	0501053835	FEMALE QUICK COUPLER	06
07	0501053834	QUICK CONECTION (MALE) 1/2	08



Item	Code	Description	QT
01	0503011883	QUICK CONNECTION COVER	01
02	0503011628	FEMALE QUICK COUPLER	01



Item	Code	Description	QT
01	0503011627	QUICK CONNECTION (MALE) AGR 1/2 NPT	01
02	0503011882	QUICK CONNECTION COVER	01



email: civemasa@civemasa.com.br

www.civemasa.com.br

Phone: +55 16.3382.8222

Fax: +55 16.3382.8355

MARCHESAN IMPLEMENTOS E MÁQUINAS AGRÍCOLAS "TATU" S.A.

Av. Marchesan, 1979 - Post Office box, 131 - Cep 15994-900 - Matão - Sp - Brasil

CNPJ 52.311.289/0001-63 | Inst. Est.441.000.151.114

Technical Publications: Elaboration

ALESSANDRA PATRICIA KAWAHARA CARRILI

Technical Publications: Revision

ALESSANDRA PATRICIA KAWAHARA CARRILI

Contact Catálogo:

E-mail = jgaspari@marchesan.com.br

ORIGINAIS PARTS
CIVEMASA