

DISK HARROWS

GDFM/E 120 - PA

Code: 0501092002
Series: S-0816
Revision: 00
Revision Date: FEVEREIRO/2023

PARTS CATALOGUE

CIVEMASA



PRODUCTS

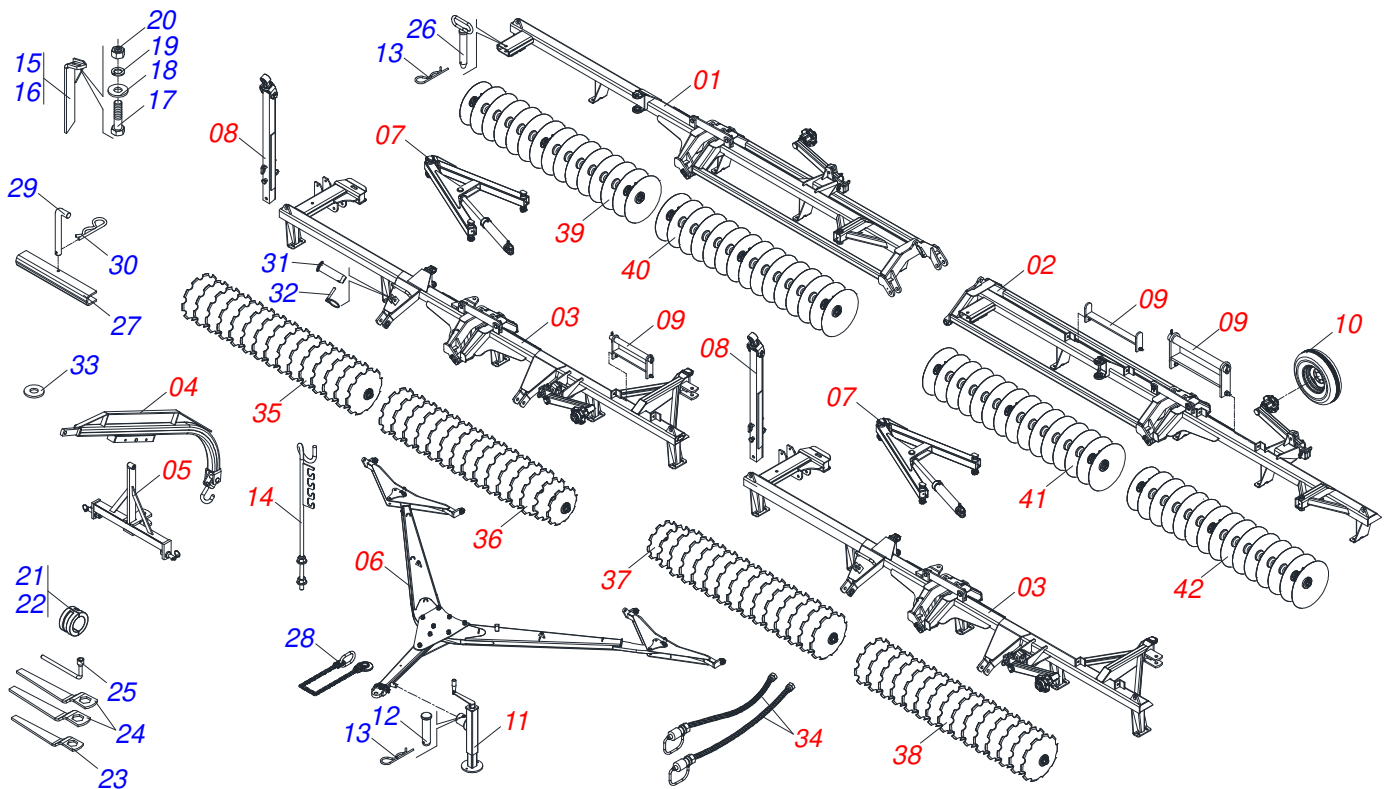
Code	Description	
0120660086	GDFM/E 120 X 22 X 4,5 DM MT PA	S-0816
0120660088	GDFM/E 120 X 24 X 4,5 DM MT PA	S-0816
0120660219	GDFM/E 120 X 24 X 4,5 DMO MT PA	S-0816

ATTENTION: IMPORTANT

CIVEMASA reserves the right to improve and/or modify the technical features of its products, without obligation to do the same with those products already sold and without prior knowledge of the dealer or the customer. The photos are only illustrative.

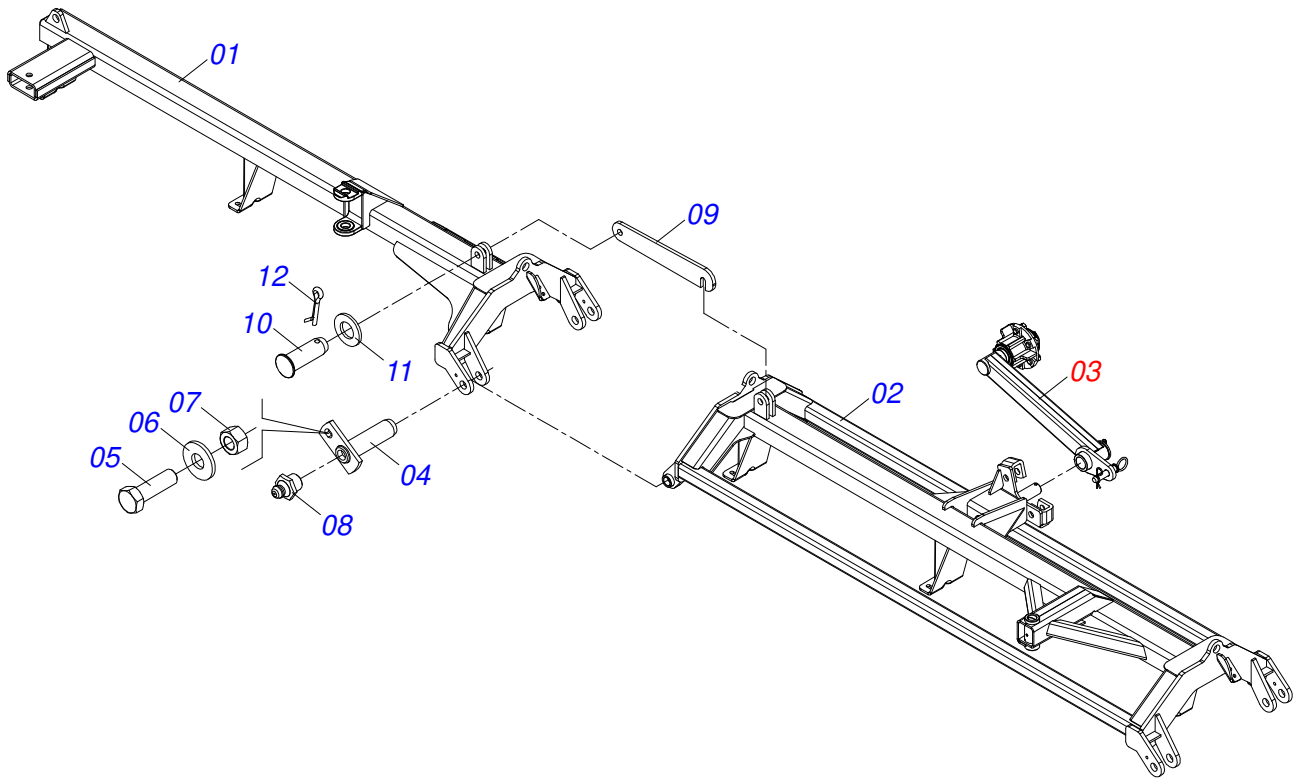
INDEX

0909093508	ASSY FRAME	1
0521047343	ASSY RIGHT REAR FRAME - 120	2
0521047344	ASSY LEFT REAR FRAME - 120	3
0521047345	ASSY FRAME FRONT RIGHT / LEFT - 120	4
0521050970	ASSY WHEEL	5
0511050078	WHEEL WITH HUB	6
0501051142	CARRYING WHEEL HUB	7
0521042072	ASSY FRAME	8
0501053527	DRAWBAR WITH HITCH SUPPORT	9
0909096640	TRACTION ASSY OF	10
0521046114	ASSY BAR TRACTION	11
0909093487	OPENING ASSY	12
0511058461	HYDRAULIC CYLINDER	13
0521050969	1400 ASSY TRACTION BAR	14
0521051012	LONGITUDINAL TRANSPORT ASSY	15
0503060091	L29.5"X0.63"-10L WHEEL AND	16
0511048088	DRAWBAR JACK	17
0501040257	3/4 X 1200 HOSE HOLDER A	18
0909096641	SECTION FRONT RIGHT SIDE	19
0909096642	CENTRAL FRONT SECTION	20
0909096643	CENTRAL FRONT SECTION LEFT	21
0909096644	SECTION FRONT SIDE LEFT	22
0909096645	SIDE REAR SECTION RIGHT	23
0909096646	CENTRAL RIGHT REAR SECTION	24
0909096647	LEFT CENTRAL REAR SECTION	25
0909096648	SECTION REAR LEFT SIDE	26
0501047055	BEARING	27
0521047187	BEARING	28
0521050840	SWIVEL OIL BATH BEARING 192,5 X 1.1/2	29
0909093489	HYDRAULIC CIRCUIT	30
0501053834	MALE QUICK COUPLER	31
0501053835	FEMALE QUICK COUPLER	32

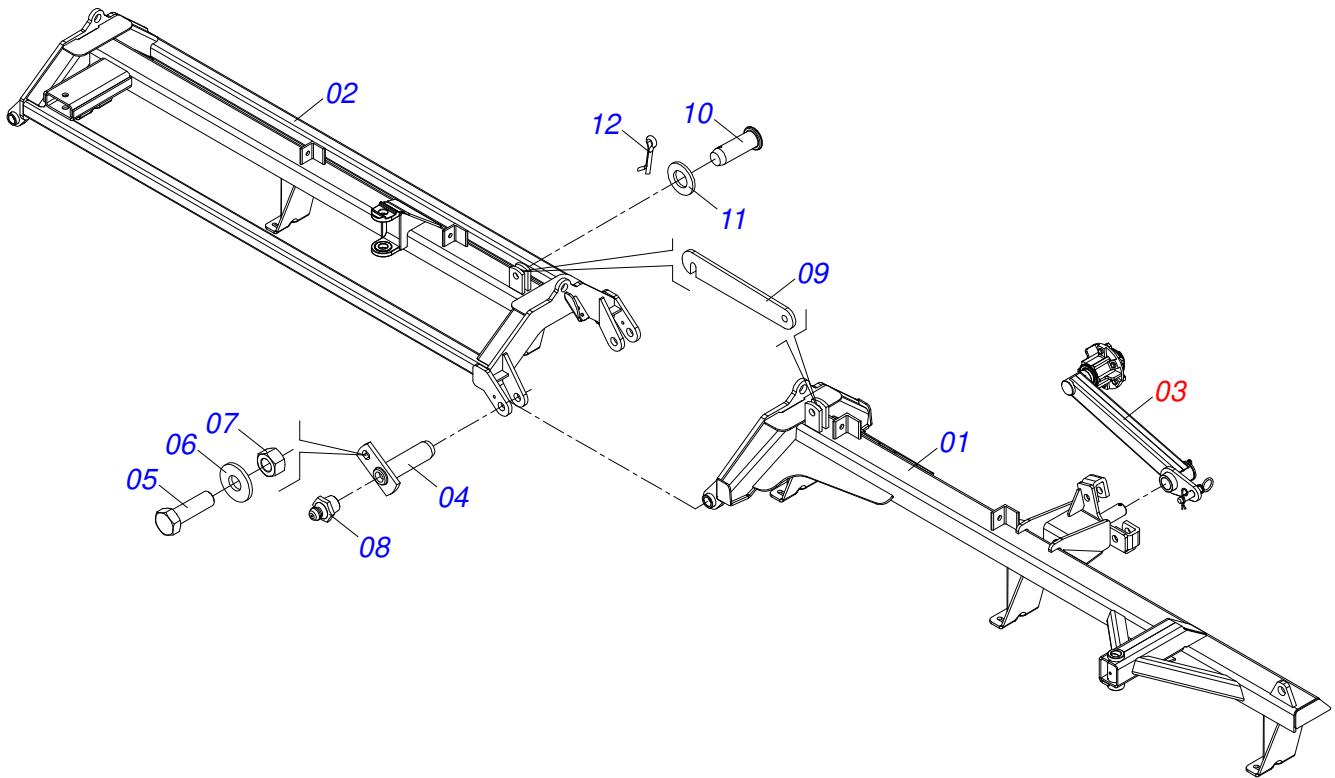


Item	Code	Description	See page	QT
01	0521047343	ASSY RIGHT REAR FRAME - 120	2	01
02	0521047344	ASSY LEFT REAR FRAME - 120	3	01
03	0521047331	ASSY FRAME FRONT RIGHT / LEFT		02
04	0521042072	ASSY FRAME	8	01
05	0501053527	DRAWBAR WITH HITCH SUPPORT	9	01
06	0909093488	TRACTION ASSY OF		01
07	0909093487	OPENING ASSY	12	01
08	0521050969	1400 ASSY TRACTION BAR	14	01
09	0521051012	LONGITUDINAL TRANSPORT ASSY	15	01
10	0503060091	L29.5"X0.63"-10L WHEEL AND	16	04
11	0511048088	DRAWBAR JACK	17	01
12	0561014251	COUPLING SHAFT		01
13	0503030012	HITCH PIN CLIP		01
14	0501040257	3/4 X 1200 HOSE HOLDER A	18	01
15	0501063962	REAR SCRAPER		46
16	0501063963	FRONT SCRAPER		47
17	0503011082	C1/2" X 1.3/4" SCREW		186
18	0511017302	FLAT WASHER 13,50 X 32,50 X 3,0 ZN		186
19	0503010019	1/2" SPRING WASHER		186
20	0503010060	1/2 UNC G.5 ZN HEX NUT		186
21	0501047895	25 ROD STOP		12
22	0501047885	30 ROD STOP		08
23	0511018451	5/8" X 3/4" X 1" UNIVERSAL		01
24	0501011432	1-1/2" AND 1-5/8" GANG BOLT WRENCH		02
25	0501068273	5/8" WRENCH		01
26	0501075403	HITCH PIN		02
27	0501219682	TRANSPORT LOCK		02
28	0503013150	1300 X 3/8 CHAIN		01
29	0501068994	8,30 X 78 LOCK PIN		02
30	0503030168	HITCH PIN CLIP		02
31	0501019002	JUNCTION SHAFT		02

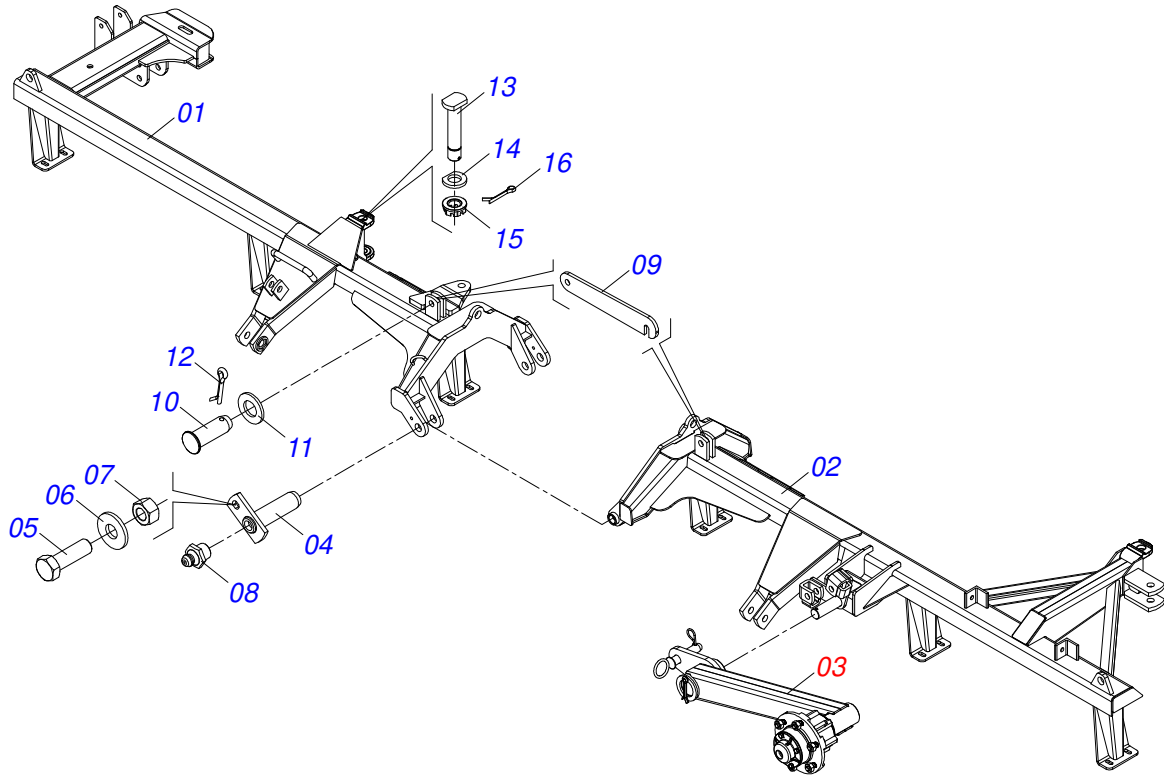
Item	Code	Description	See page	QT
32	0503030085	LOCK PIN		02
33	0501012916	FLAT WASHER 40 X 66 X 4,75 ZN		06
34	0909093489	HYDRAULIC CIRCUIT	30	01
35	0909096641	SECTION FRONT RIGHT SIDE	19	01
36	0909096642	CENTRAL FRONT SECTION	20	01
37	0909096643	CENTRAL FRONT SECTION LEFT	21	01
38	0909096644	SECTION FRONT SIDE LEFT	22	01
39	0909096645	SIDE REAR SECTION RIGHT	23	01
40	0909096646	CENTRAL RIGHT REAR SECTION	24	01
41	0909096647	LEFT CENTRAL REAR SECTION	25	01
42	0909096648	SECTION REAR LEFT SIDE	26	01



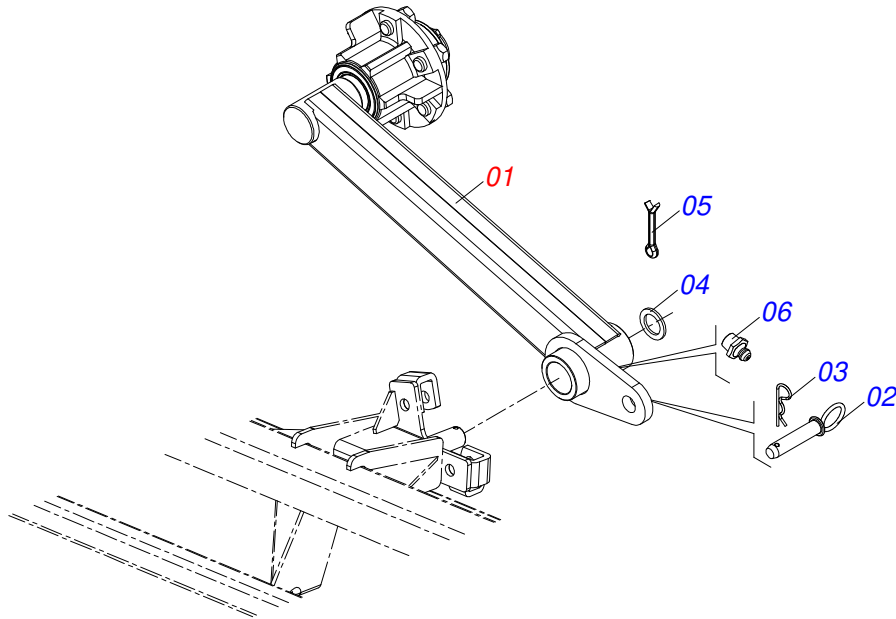
Item	Code	Description	See page	QT
01	0521067821	RIGHT REAR FRAME		01
02	0521067649	REAR CHASSIS INTERNAL RIGHT		01
03	0521050970	ASSY WHEEL	5	01
04	0501063751	1.5" X 5.5" PIVOT SHAFT		02
05	0501010100	SCREW 5/8 UNC X 2 CS G.5 ZN		02
06	0501012140	FLAT WASHER		02
07	0503010013	5/8 NUT		02
08	0503010002	1800 GREASE FITTING		03
09	0501018941	TRANSPORT LOCK		01
10	0521010592	1.1" X 3.1" COUPLING SHAFT		02
11	0511017480	FLAT WASHER		02
12	0503010571	1/4" X 1.1/2 COTTERPIN		02



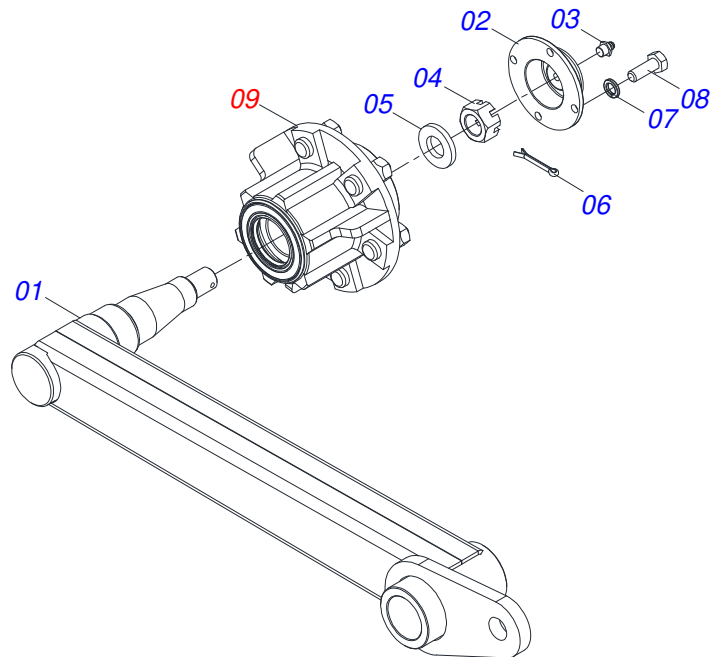
Item	Code	Description	See page	QT
01	0521067822	LEFT REAR FRAME		01
02	0521067651	LEFT INTERNAL REAR FRAME		01
03	0521050970	ASSY WHEEL	5	01
04	0501063751	1.5" X 5.5" PIVOT SHAFT		02
05	0501010100	SCREW 5/8 UNC X 2 CS G.5 ZN		02
06	0501012140	FLAT WASHER		02
07	0503010013	5/8 NUT		02
08	0503010002	1800 GREASE FITTING		03
09	0501018941	TRANSPORT LOCK		01
10	0521010592	1.1" X 3.1" COUPLING SHAFT		02
11	0511017480	FLAT WASHER		02
12	0503010571	1/4" X 1.1/2 COTTERPIN		02



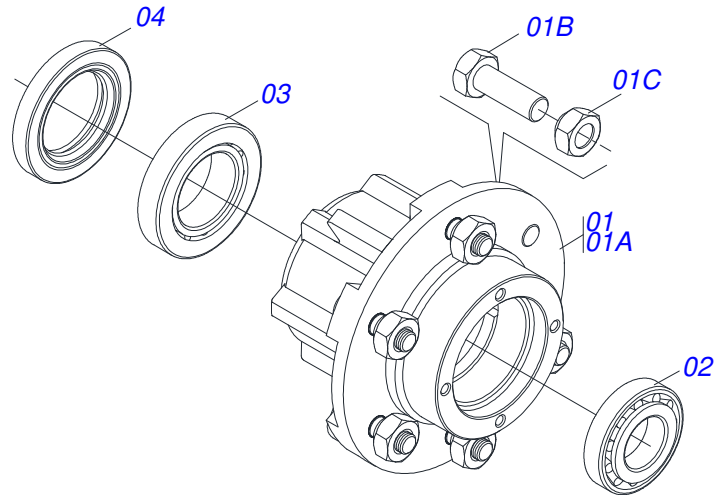
Item	Code	Description	See page	QT
01	0521067823	FRAME FRONT RIGHT		01
02	0521067824	FRAME FRONT LEFT		01
03	0521050970	ASSY WHEEL	5	01
04	0501063751	1.5" X 5.5" PIVOT SHAFT		02
05	0501010100	SCREW 5/8 UNC X 2 CS G.5 ZN		02
06	0501012140	FLAT WASHER		02
07	0503010013	5/8 NUT		02
08	0503010002	1800 GREASE FITTING		02
09	0501018941	TRANSPORT LOCK		01
10	0521010592	1.1" X 3.1" COUPLING SHAFT		02
11	0511017480	FLAT WASHER		02
12	0503010571	1/4" X 1.1/2 COTTERPIN		02
13	0531019497	1.5" X 9.2" ARTICULATED AXIS		01
14	0501012916	FLAT WASHER 40 X 66 X 4,75 ZN		01
15	0501011301	1.1/2 UNC 6FPP 2.5/16 NUT		01
16	0503010010	1/4" X 2.1/2" COTTERPIN		01



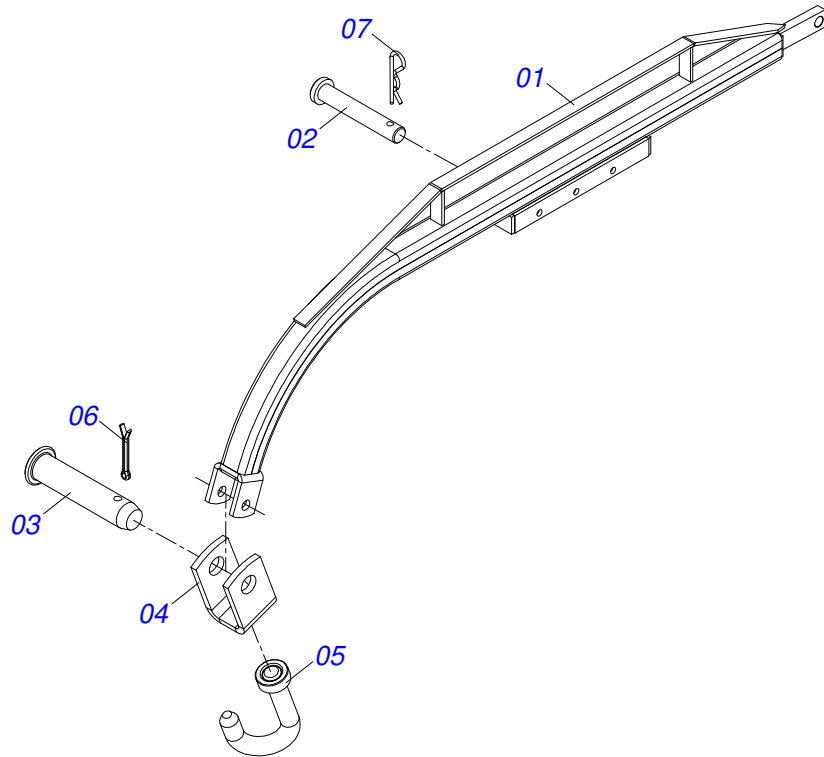
Item	Code	Description	See page	QT
001	0511050078	WHEEL WITH HUB	6	01
002	0501068992	0.9" X 4.5" COUPLING SHAFT		01
003	0503030012	HITCH PIN CLIP		01
004	0501015875	FLAT WASHER		01
005	0503010534	3/8 X 2-1/2 COTTERPIN		01
006	0503010002	1800 GREASE FITTING		01



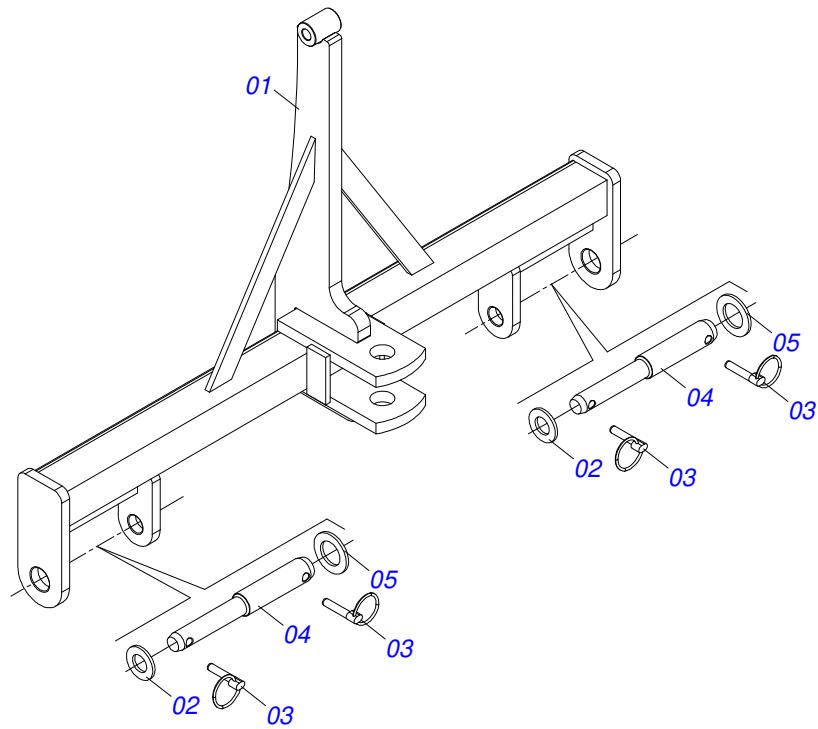
Item	Code	Description	See page	QT
01	0521061622	WHEEL SUPPORT		01
02	0502020591	PROTECCION COVER		01
03	0503010002	1800 GREASE FITTING		01
04	0503030009	1" CASTLE NUT		01
05	0501016545	FLAT WASHER		01
06	0503010018	5/32 X 1-1/2 COTTERPIN		01
07	0503011444	SPRING WASHER		04
08	0503010358	5/16" X 5/8" BOLT		04
09	0501051142	CARRYING WHEEL HUB	7	01



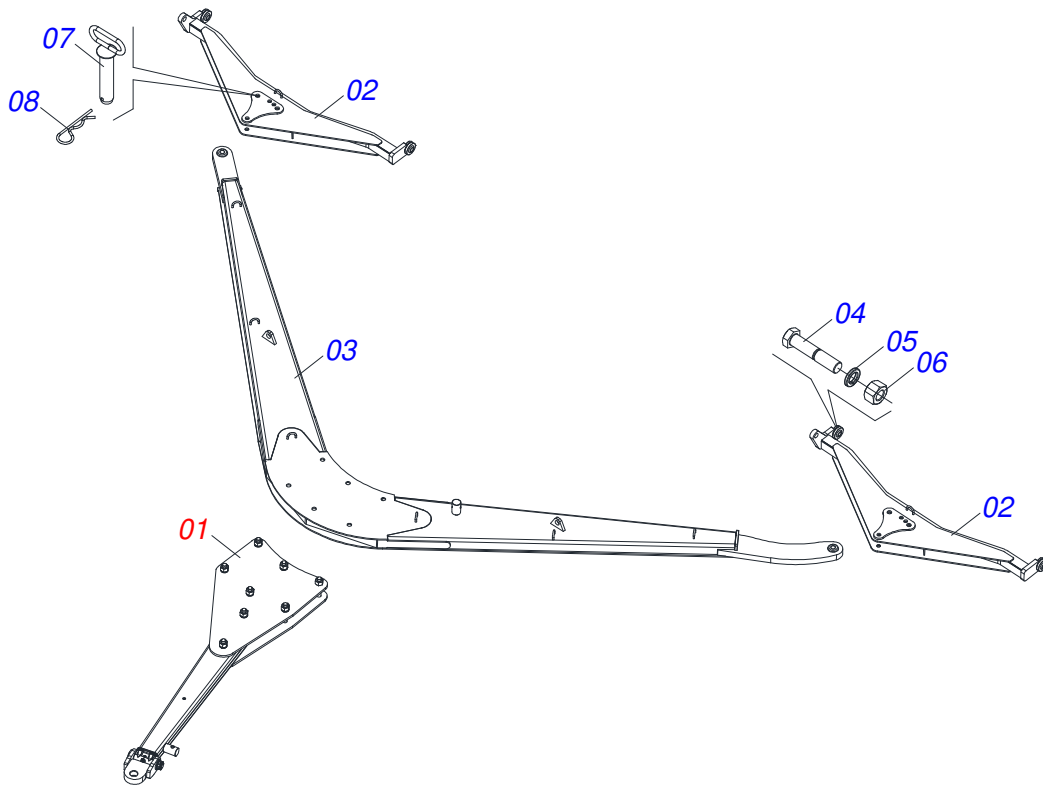
Item	Code	Description	See page	QT
01	0501110728	WHEEL HUB		01
01A	0502011121	CARRYING WHEEL HUB		01
01B	0501010127	9/16" X 1-7/8" LUG BOLT		06
01C	0503010035	9/16" CONIC NUT		06
02	0503010037	30207 ROLLER BEARING		01
03	0503010006	32210 ROLLER BEARING		01
04	0503012928	SEAL		01



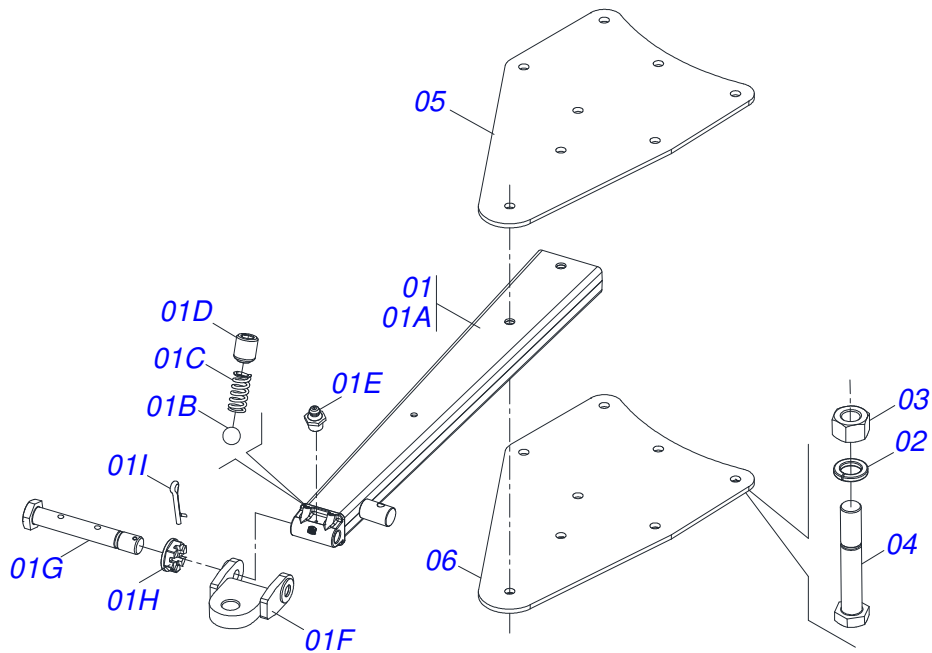
Item	Code	Description	See page	QT
01	0501062595	FRAME GAT 800		01
02	0501011388	COUPLING SHAFT		01
03	0521010579	COUPLING SHAFT		01
04	0511016686	U HOOK		01
05	0501067537	25,4 X 100 HOOK		01
06	0503010018	5/32 X 1-1/2 COTTERPIN		01
07	0503030168	HITCH PIN CLIP		01



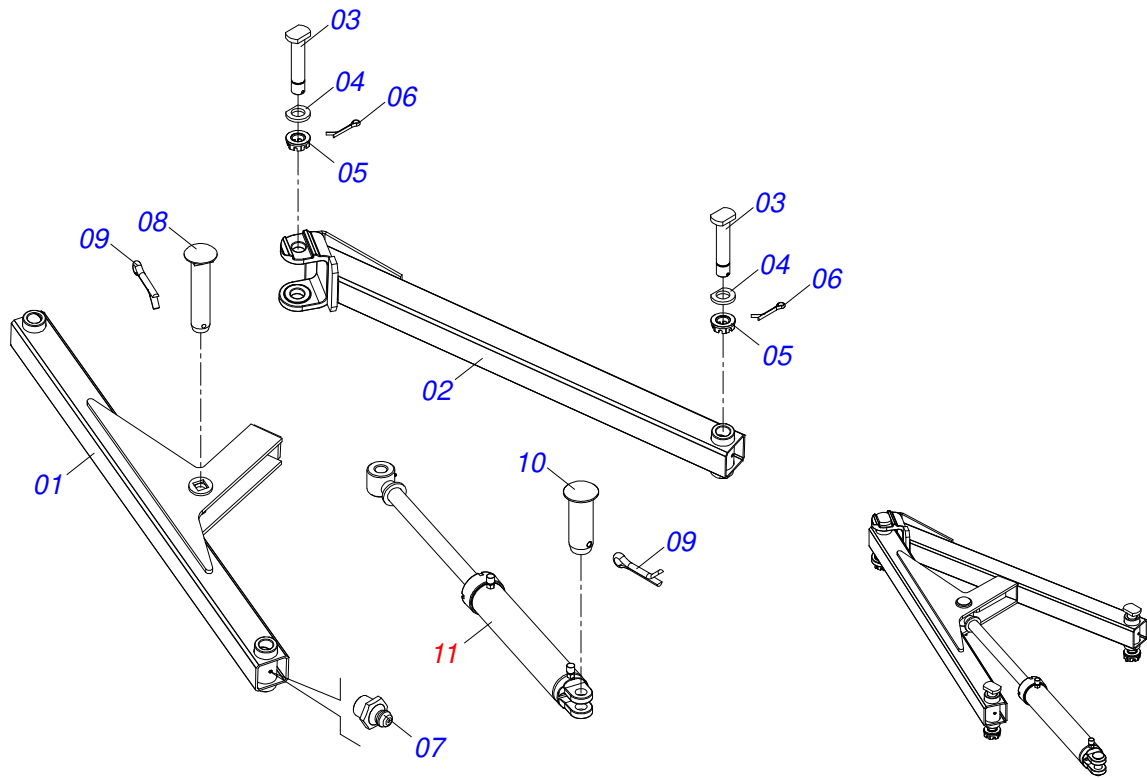
Item	Code	Description	See page	QT
01	0511062944	DRAWBAR		01
02	0501012916	FLAT WASHER 40 X 66 X 4,75 ZN		02
03	0503030430	7/16 X 2" PIN LOCK		04
04	0541015542	1.1/8" HITCH AXLE		02
05	0511017480	FLAT WASHER		02



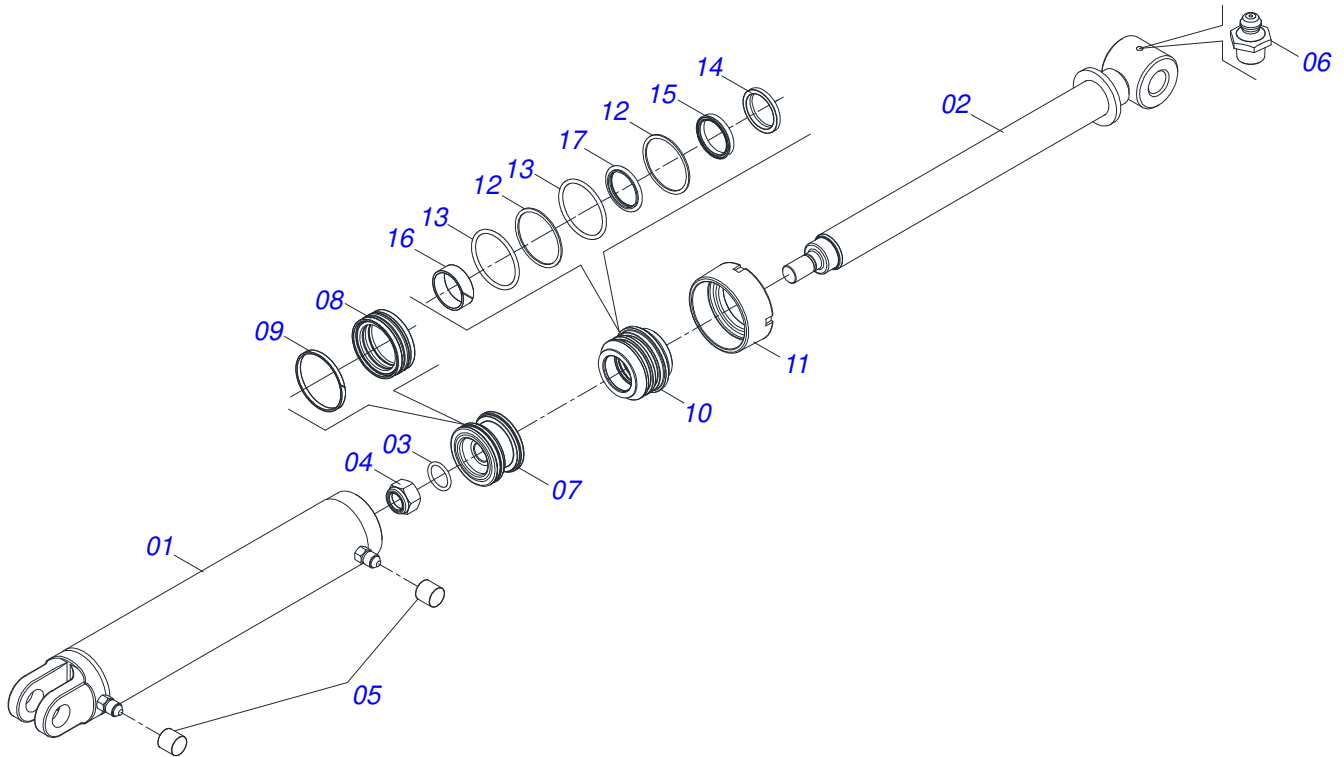
Item	Code	Description	See page	QT
01	0521046114	ASSY BAR TRACTION	11	01
02	0521068753	HITCH BAR		02
03	0521067652	HEADER		01
04	0501010426	1-1/4" X 6" SCREW		04
05	0503010070	SPRING WASHER		04
06	0501010087	1.1/4" NUT		04
07	0511062895	31,75 X 150 COUPLING SHAFT		02
08	0503030012	HITCH PIN CLIP		02



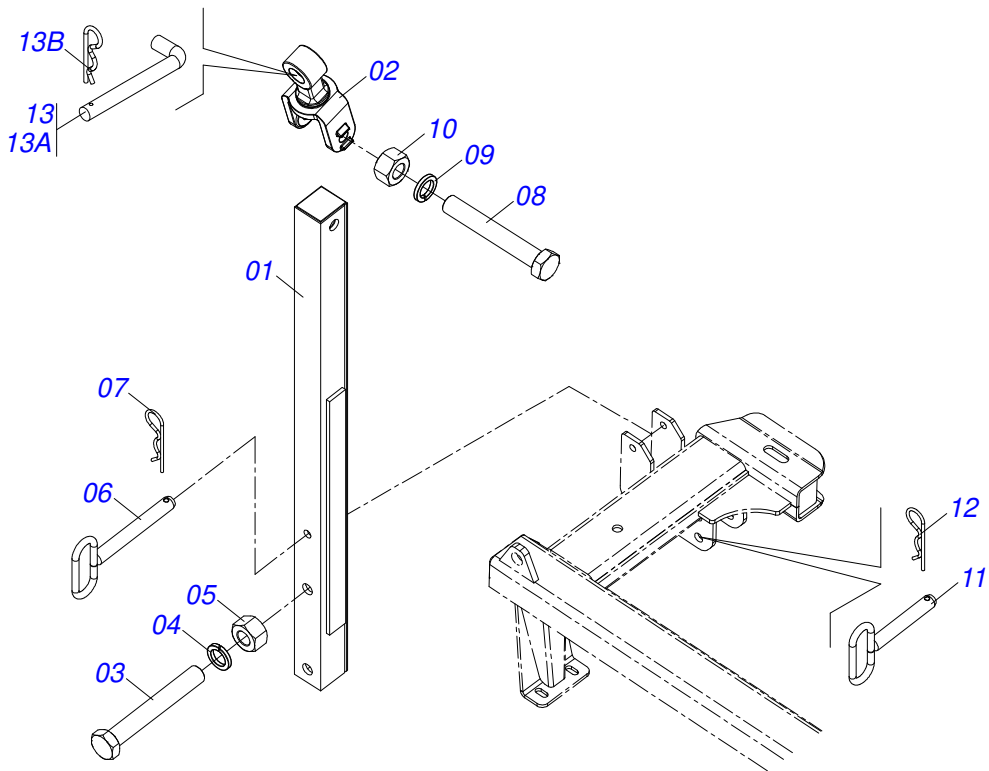
Item	Code	Description	See page	QT
01	0511058610	TRACTION BAR		01
01A	0521066595	TRACTION BAR		01
01B	0503012389	1/2 BALL		02
01C	0503033994	COMPRESSION SPRING		02
01D	0503013333	BOLT		02
01E	0503010002	1800 GREASE FITTING		01
01F	0511070237	TRACTOR HITCH		01
01G	0571016538	1-1/2" X 245" BOLT		01
01H	0501011301	1.1/2 UNC 6FPP 2.5/16 NUT		01
01I	0503010010	1/4" X 2.1/2" COTTERPIN		01
02	0503010070	SPRING WASHER		08
03	0501010087	1.1/4" NUT		08
04	0503013212	SCREW		08
05	0581010778	FIXING PLATE		01
06	0521066594	FIXING PLATE		01



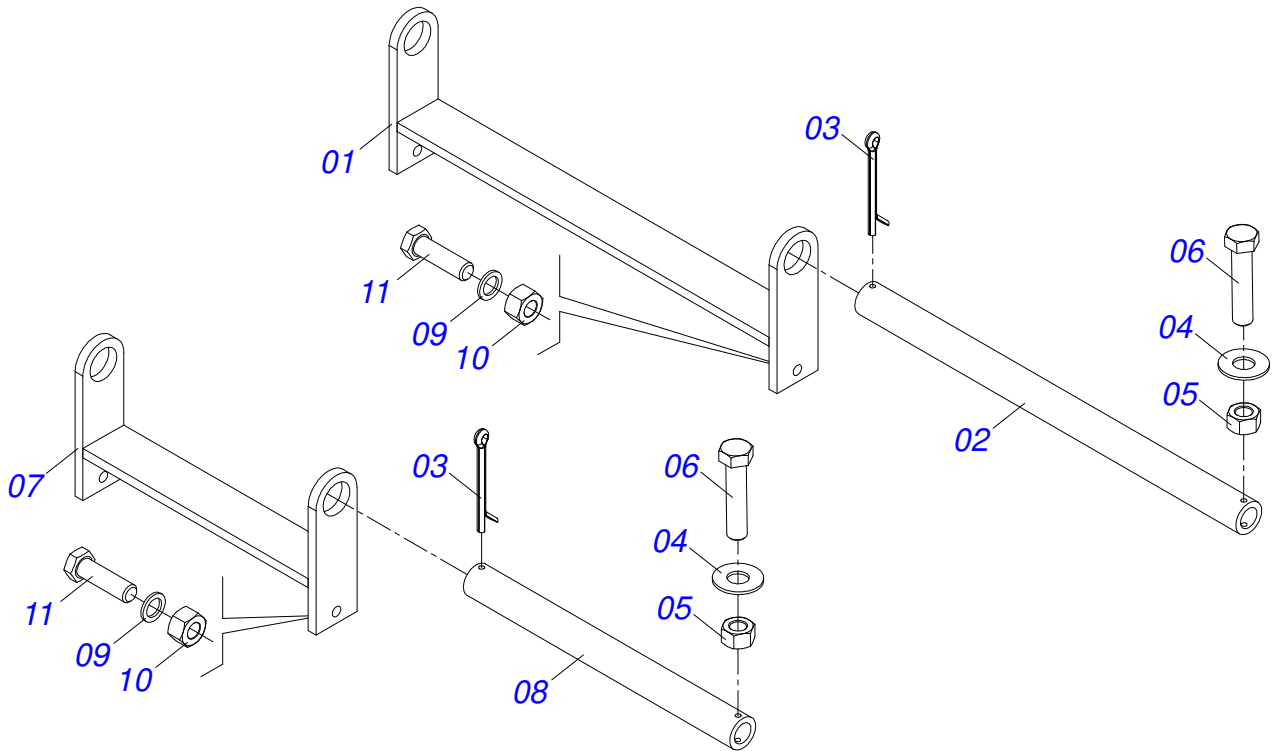
Item	Code	Description	See page	QT
01	0521067671	FRONT STABILIZER BAR		02
02	0521067672	REAR STABILIZER BAR		02
03	0531019497	1.5" X 9.2" ARTICULATED AXIS		07
04	0531019540	FLAT WASHER		07
05	0501011301	1.1/2 UNC 6FPP 2.5/16 NUT		07
06	0503010010	1/4" X 2.1/2" COTTERPIN		07
07	0503010002	1800 GREASE FITTING		03
08	0521013077	1.2" X 5.7" PIVOT SHAFT		02
09	0503010523	1/4" X 2" COTTERPIN		04
10	0521012538	1.2" X 3.5" COUPLING SHAFT		02
11	0511058461	HYDRAULIC CYLINDER	13	02



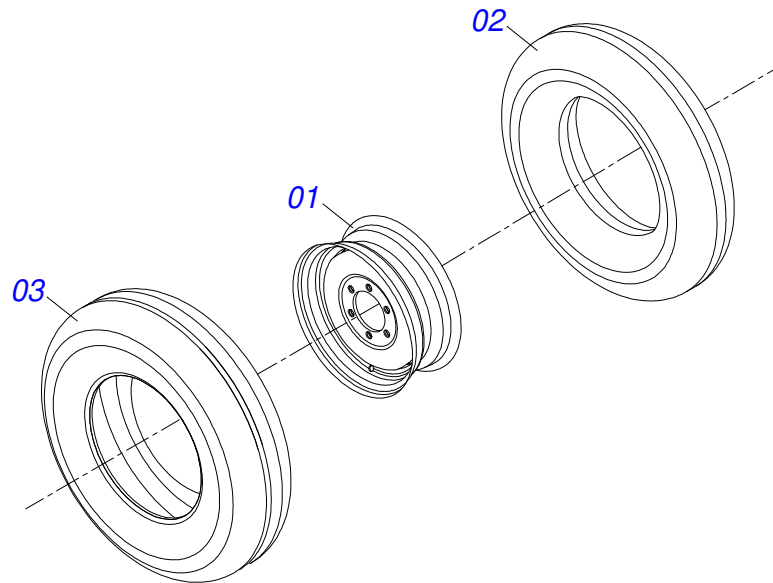
Item	Code	Description	See page	QT
01	0521063982	CYLINDER CASE		01
02	0521067533	50,80 X 697 EXTENSOR		01
03	0503010042	2-214 N 3006-9B O'RING		01
04	0503010063	1" SELF-ALIGNING NUT		01
05	0503030385	CYLINDER PLUG N-002		02
06	0503010002	1800 GREASE FITTING		01
07	0571019710	1.7" X 3.4" PISTON		01
08	0503017935	RING		01
09	0503018144	RING		01
10	0581013228	50,80 X 85,72 SUPPORT RINGS		01
11	0581013227	85,72 MOVE COVER		01
12	0503017940	8-337 BACK-UP RING		02
13	0503017939	2-337 N 3006-9B O' RING		02
14	0503010039	D-2000 SCRAPER RING		01
15	0503018026	1870-2000-375 B GASKET		01
16	0503018025	RING GUIDE		01
17	0503018024	RING BS		01



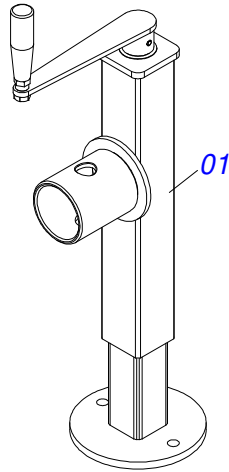
Item	Code	Description	See page	QT
001	0501060188	DRAWBAR ASSY		01
002	0521061775	TRACTOR HITCH		01
003	0501010334	1" X 7" BOLT		01
004	0503010012	1" SPRING WASHER		01
005	0501010059	1.5/8 NUT		01
006	0521064088	LOCK AXLE		01
007	0503030012	HITCH PIN CLIP		01
008	0501010334	1" X 7" BOLT		01
009	0503010012	1" SPRING WASHER		01
010	0501010059	1.5/8 NUT		01
011	0521067644	JUNCTION SHAFT		01
012	0503031035	HITCH PIN CLIP		01
013	0501040343	DRAWBOLT ASSY		01
013A	0521010453	AXI SHAFT		01
013B	0503031035	HITCH PIN CLIP		01



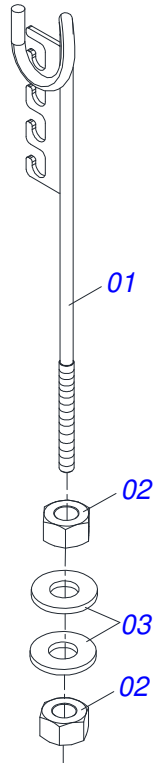
Item	Code	Description	See page	QT
001	0521067642	SUPPORT TRANSPORT		01
002	0581013898	TRANSPORT FIXING SHAFT		01
003	0503010074	3/8 X 0,15" COTTERPIN		02
004	0501013518	FLAT WASHER		02
005	0503010026	3/8" NUT		02
006	0503010765	3/8" X 3" BOLT		02
007	0521067645	SUPPORT TRANSPORT HEADER		01
008	0581013895	TRANSPORT FIXING SHAFT		01
009	0501017066	FLAT WASHER		02
010	0503010014	3/4" HEX NUT		02
011	0501010125	3/4" X 2-1/2" BOLT		02



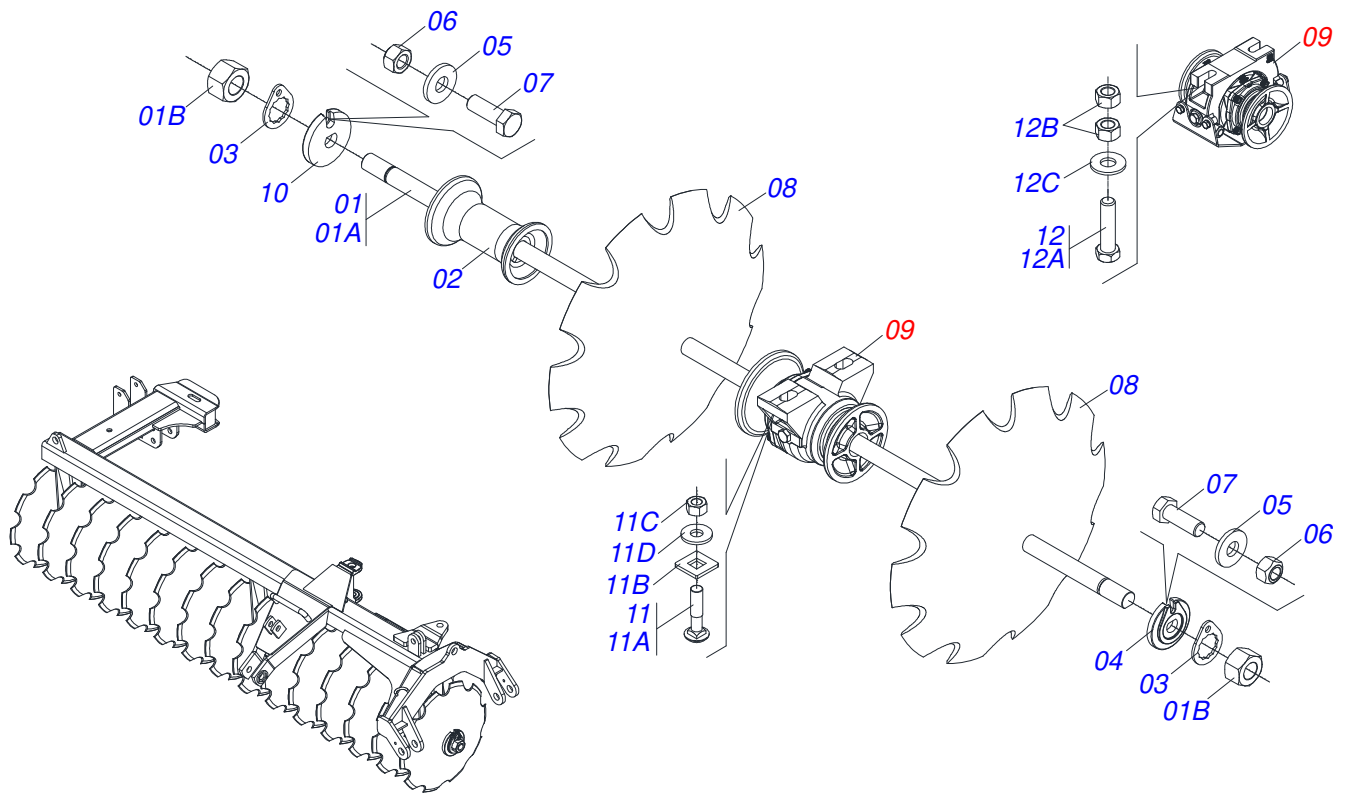
Item	Code	Description	See page	QT
01	0503010893	WHEEL		01
02	0503010033	7.50 X 16 INNER TIRE		01
03	0503010120	CANVAS TIRE		01



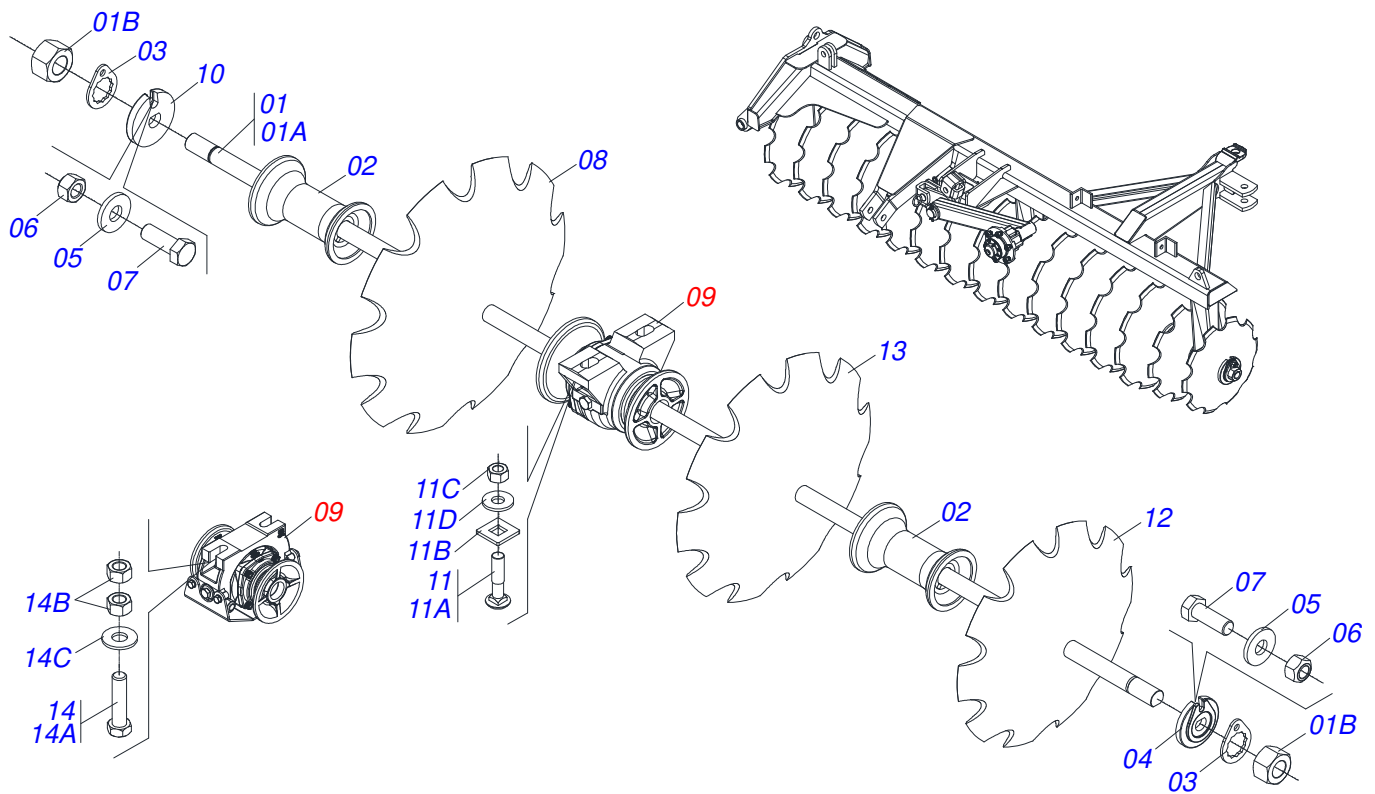
Item	Code	Description	See page	QT
01	0503062227	DRAWBAR JACK		01



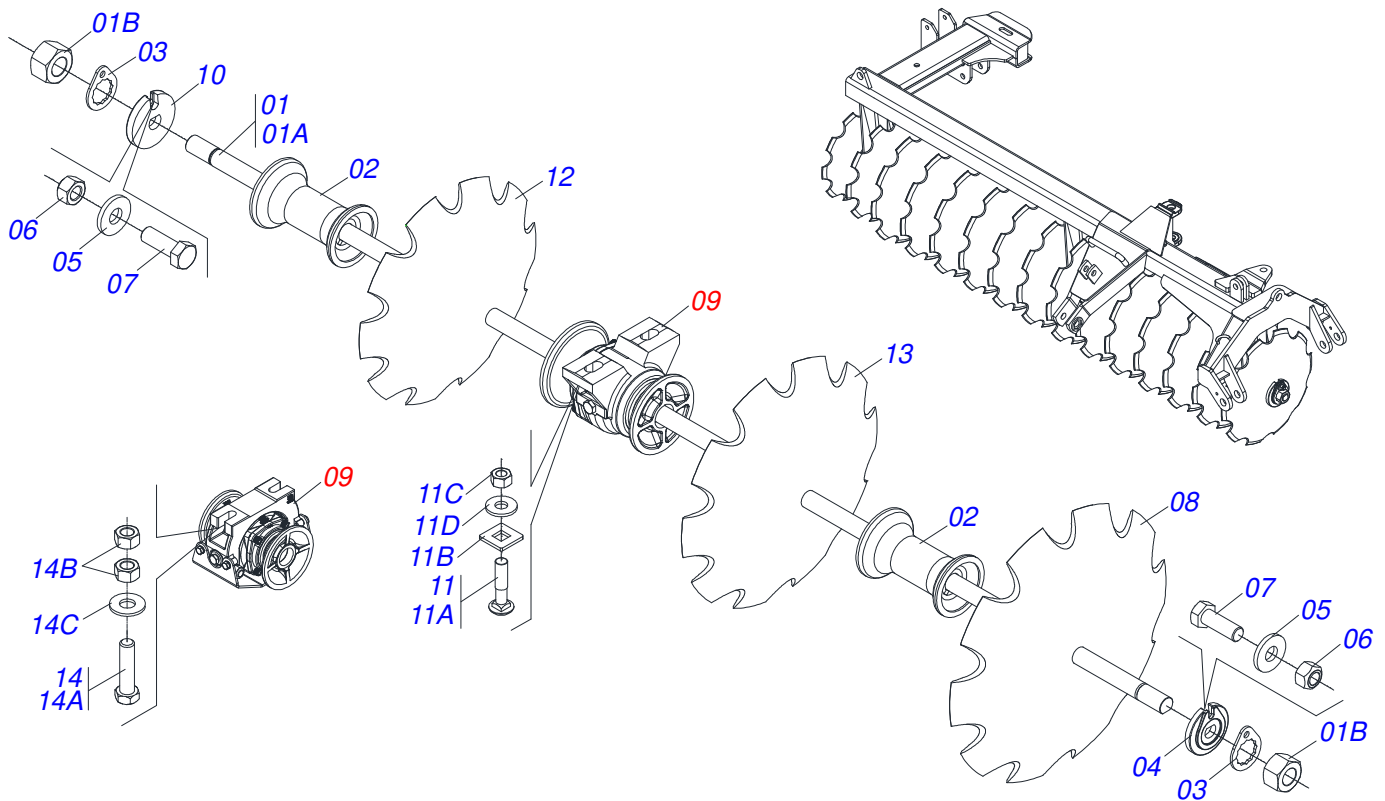
Item	Code	Description	See page	QT
01	0511067334	HOSE SUPPORT		01
02	0503010014	3/4" HEX NUT		02
03	0501010322	FLAT WASHER		02



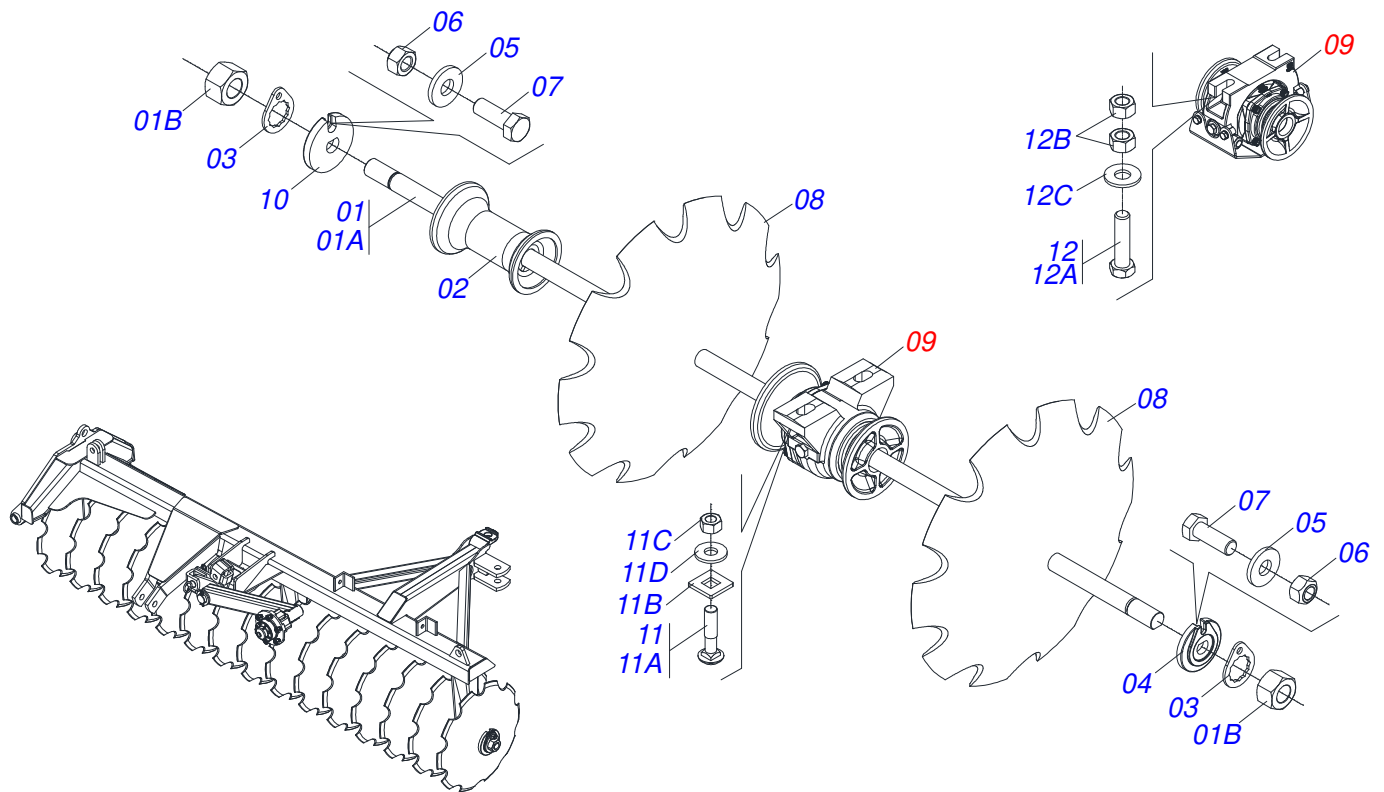
Item	Code	Description	See page	QT
01	0501059898	1.1/2 6FPP X 2880 AXLE WITH NUTS		01
01A	0561016111	1.1/2 6FPP X 2880 AXLE		01
01B	0501010110	1.1/2" NUT		02
02	0502010627	SPACER		11
03	0501018592	1.5/8" NUT LOCK		02
04	0502010871	1-1/2" EXTERNAL AXLE WASHER		01
05	0501012140	FLAT WASHER		02
06	0503012412	5/8 UNC SELF LOCKING NUT		02
07	0503011267	5/8 UNC X 1.1/2 C S G.5 ZN BOLT		02
08	0602029416	DR 22 X 4,5 C64AF02FR1.9/16 10R		15
08.	0602029396	22X4,75 NOTCHED DISC BLADE		15
08..	0602030448	DR24X4,5 C66AF02FR1.9/16 D006 10R		15
08...	0602030419	24" X 4,75" NOTCHED DISC BLADE		15
09	0501047055	BEARING	27	03
09.	0521047187	BEARING	28	03
10	0502010872	1-1/2" INNER AXLE WASHER		01
11	0501058802	5/8 UNC X 2.3/4 BOLT ASSY		06
11A	0503015154	5/8" X 2.3/4" BOLT		06
11B	0501010947	5/8 NUT LOCK		06
11C	0503010013	5/8 NUT		12
11D	0501012140	FLAT WASHER		06
12	0521059224	SCREW ASSEMBLY		06
12A	0501013233	5/8" X 2-3/4" BOLT		01
12B	0503010013	5/8 NUT		02
12C	0501012140	FLAT WASHER		01



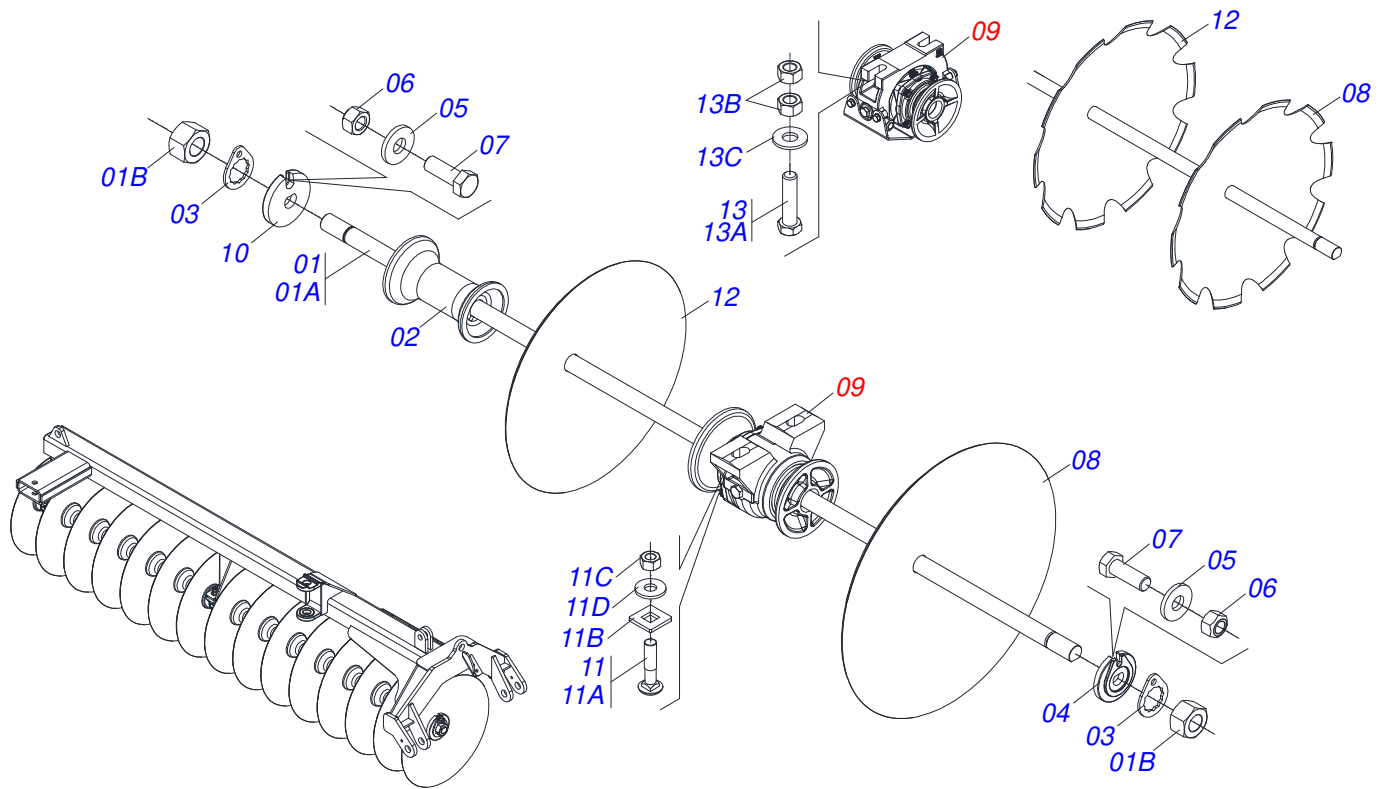
Item	Code	Description	See page	QT
01	0501059898	1.1/2 6FPP X 2880 AXLE WITH NUTS		01
01A	0561016111	1.1/2 6FPP X 2880 AXLE		01
01B	0501010110	1.1/2" NUT		02
02	0502010627	SPACER		11
03	0501018592	1.5/8" NUT LOCK		02
04	0502010871	1-1/2" EXTERNAL AXLE WASHER		01
05	0501012140	FLAT WASHER		02
06	0503012412	5/8 UNC SELF LOCKING NUT		02
07	0503011267	5/8 UNC X 1.1/2 C S G.5 ZN BOLT		02
08	0602030419	24" X 4,75" NOTCHED DISC BLADE		13
08.	0602030448	DR24X4,5 C66AF02FR1.9/16 D006 10R		13
08..	0602029396	22X4,75 NOTCHED DISC BLADE		13
08...	0602029416	DR 22 X 4,5 C64AF02FR1.9/16 10R		13
09	0501047055	BEARING	27	03
09.	0521047187	BEARING	28	03
10	0502010872	1-1/2" INNER AXLE WASHER		01
11	0501058802	5/8 UNC X 2.3/4 BOLT ASSY		06
11A	0503015154	5/8" X 2.3/4" BOLT		06
11B	0501010947	5/8 NUT LOCK		06
11C	0503010013	5/8 NUT		12
11D	0501012140	FLAT WASHER		06
12	0602023109	DR16X4,5 C38AF02FR1.9/16 08REC TATU		01
13	0602025263	18" X 4,5 NOTCHED DISC BLADE		01
13.	0602027344	DR20X4,5 C57AF02FC1.9/16 10REC TATU		01
13..	0602027343	DR 20 X 4,5 C57AF02FR1.9/16 10R		01
13...	0602027160	DR20X4,75 C50AF02FR39,29 10REC WIES		01
14	0521059224	SCREW ASSEMBLY		06
14A	0501013233	5/8" X 2-3/4" BOLT		01
14B	0503010013	5/8 NUT		02
14C	0501012140	FLAT WASHER		01



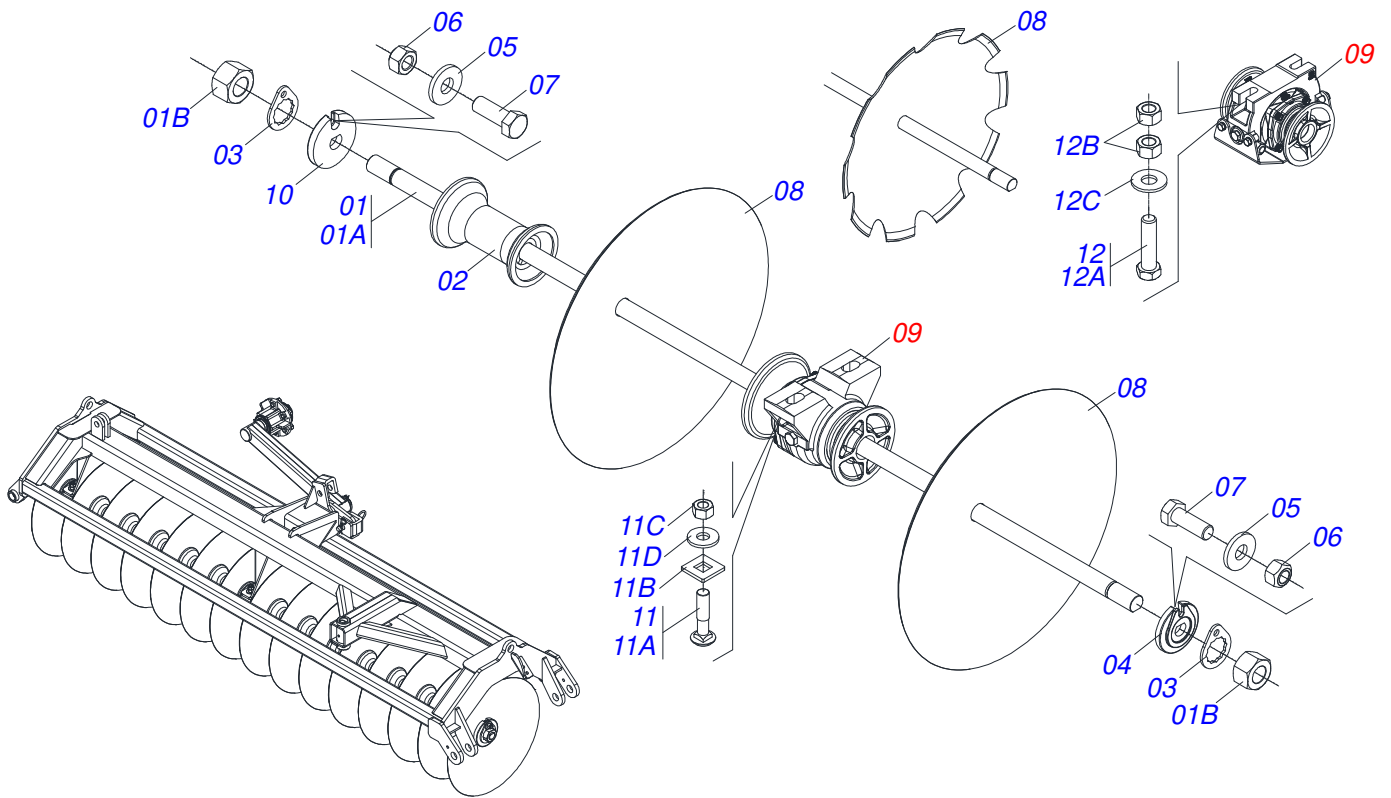
Item	Code	Description	See page	QT
01	0501059898	1.1/2 6FPP X 2880 AXLE WITH NUTS		01
01A	0561016111	1.1/2 6FPP X 2880 AXLE		01
01B	0501010110	1.1/2" NUT		02
02	0502010627	SPACER		11
03	0501018592	1.5/8" NUT LOCK		02
04	0502010871	1-1/2" EXTERNAL AXLE WASHER		01
05	0501012140	FLAT WASHER		02
06	0503012412	5/8 UNC SELF LOCKING NUT		02
07	0503011267	5/8 UNC X 1.1/2 C S G.5 ZN BOLT		02
08	0602030419	24" X 4,75" NOTCHED DISC BLADE		13
08.	0602030448	DR24X4,5 C66AF02FR1.9/16 D006 10R		13
08..	0602029396	22X4,75 NOTCHED DISC BLADE		13
08...	0602029416	DR 22 X 4,5 C64AF02FR1.9/16 10R		13
09	0501047055	BEARING	27	03
09.	0521047187	BEARING	28	03
10	0502010872	1-1/2" INNER AXLE WASHER		01
11	0501058802	5/8 UNC X 2.3/4 BOLT ASSY		06
11A	0503015154	5/8" X 2.3/4" BOLT		06
11B	0501010947	5/8 NUT LOCK		06
11C	0503010013	5/8 NUT		12
11D	0501012140	FLAT WASHER		06
12	0602023109	DR16X4,5 C38AF02FR1.9/16 08REC TATU		01
13	0602025263	18" X 4,5 NOTCHED DISC BLADE		01
13.	0602027344	DR20X4,5 C57AF02FC1.9/16 10REC TATU		01
13..	0602027343	DR 20 X 4,5 C57AF02FR1.9/16 10R		01
13...	0602027160	DR20X4,75 C50AF02FR39,29 10REC WIES		01
14	0521059224	SCREW ASSEMBLY		06
14A	0501013233	5/8" X 2-3/4" BOLT		01
14B	0503010013	5/8 NUT		02
14C	0501012140	FLAT WASHER		01



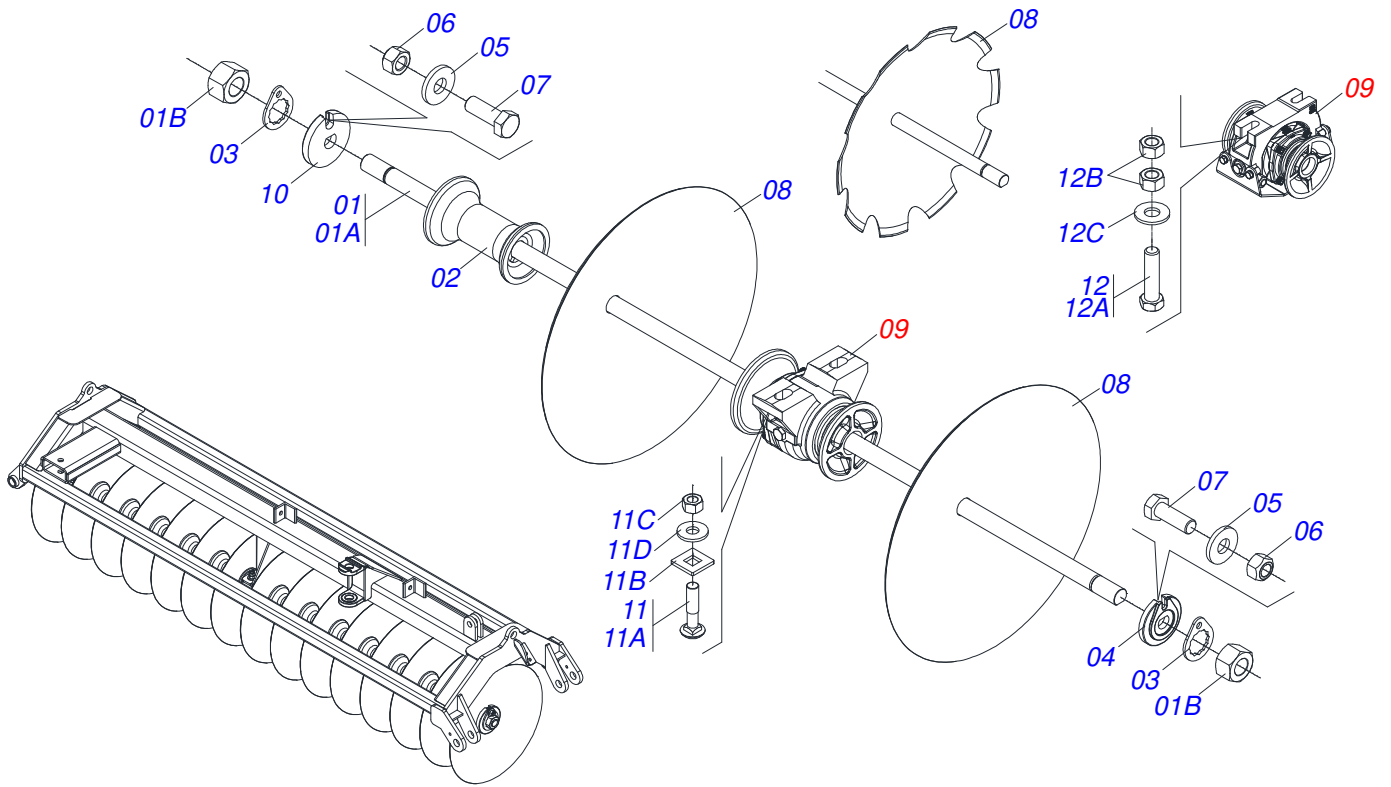
Item	Code	Description	See page	QT
01	0501059898	1.1/2 6FPP X 2880 AXLE WITH NUTS		01
01A	0561016111	1.1/2 6FPP X 2880 AXLE		01
01B	0501010110	1.1/2" NUT		02
02	0502010627	SPACER		11
03	0501018592	1.5/8" NUT LOCK		02
04	0502010871	1-1/2" EXTERNAL AXLE WASHER		01
05	0501012140	FLAT WASHER		02
06	0503012412	5/8 UNC SELF LOCKING NUT		02
07	0503011267	5/8 UNC X 1.1/2 C S G.5 ZN BOLT		02
08	0602029416	DR 22 X 4,5 C64AF02FR1.9/16 10R		15
08.	0602029396	22X4,75 NOTCHED DISC BLADE		15
08..	0602030448	DR24X4,5 C66AF02FR1.9/16 D006 10R		15
08...	0602030419	24" X 4,75" NOTCHED DISC BLADE		15
09	0501047055	BEARING	27	03
09.	0521047187	BEARING	28	03
10	0502010872	1-1/2" INNER AXLE WASHER		01
11	0501058802	5/8 UNC X 2.3/4 BOLT ASSY		06
11A	0503015154	5/8" X 2.3/4" BOLT		06
11B	0501010947	5/8 NUT LOCK		06
11C	0503010013	5/8 NUT		12
11D	0501012140	FLAT WASHER		06
12	0521059224	SCREW ASSEMBLY		06
12A	0501013233	5/8" X 2-3/4" BOLT		01
12B	0503010013	5/8 NUT		02
12C	0501012140	FLAT WASHER		01



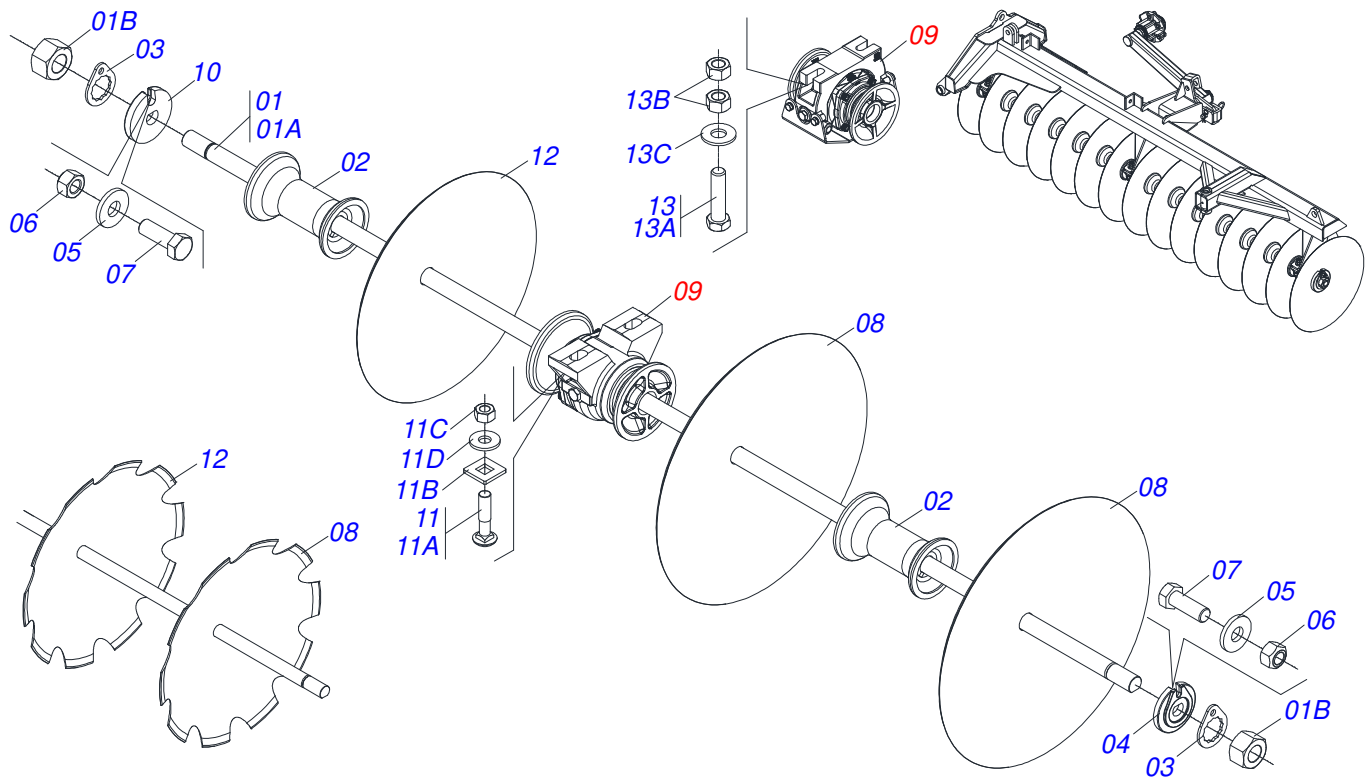
Item	Code	Description	See page	QT
01	0501059898	1.1/2 6FPP X 2880 AXLE WITH NUTS		01
01A	0561016111	1.1/2 6FPP X 2880 AXLE		01
01B	0501010110	1.1/2" NUT		02
02	0502010627	SPACER		11
03	0501018592	1.5/8" NUT LOCK		02
04	0502010872	1-1/2" INNER AXLE WASHER		01
05	0501012140	FLAT WASHER		02
06	0503012412	5/8 UNC SELF LOCKING NUT		02
07	0503011267	5/8 UNC X 1.1/2 C S G.5 ZN BOLT		02
08	0601029413	DL 22 X 4,5 C64AF02FR1.9/16		14
08.	0602029416	DR 22 X 4,5 C64AF02FR1.9/16 10R		14
08..	0602029396	22X4,75 NOTCHED DISC BLADE		14
08...	0601031134	DL 24 X 4,5 C66AF02FR1.9/16		14
08....	0602030419	24" X 4,75" NOTCHED DISC BLADE		14
08.....	0602030429	DR 24 X 4,5 C66AF02FR1.9/16 10R		14
09	0501047055	BEARING	27	03
09.	0521047187	BEARING	28	03
10	0502010871	1-1/2" EXTERNAL AXLE WASHER		01
11	0501058802	5/8 UNC X 2.3/4 BOLT ASSY		06
11A	0503015154	5/8" X 2.3/4" BOLT		06
11B	0501010947	5/8 NUT LOCK		06
11C	0503010013	5/8 NUT		12
11D	0501012140	FLAT WASHER		06
12	0601027299	DL 20 X 4,5 C57AF02FR1.9/16		01
12.	0602027343	DR 20 X 4,5 C57AF02FR1.9/16 10R		01
12..	0602027160	DR20X4,75 C50AF02FR39,29 10REC WIES		01
12...	0601029414	DL 22 X 4,5 C63AF02FR1.9/16		01
13	0521059224	SCREW ASSEMBLY		06
13A	0501013233	5/8" X 2-3/4" BOLT		01
13B	0503010013	5/8 NUT		02
13C	0501012140	FLAT WASHER		01



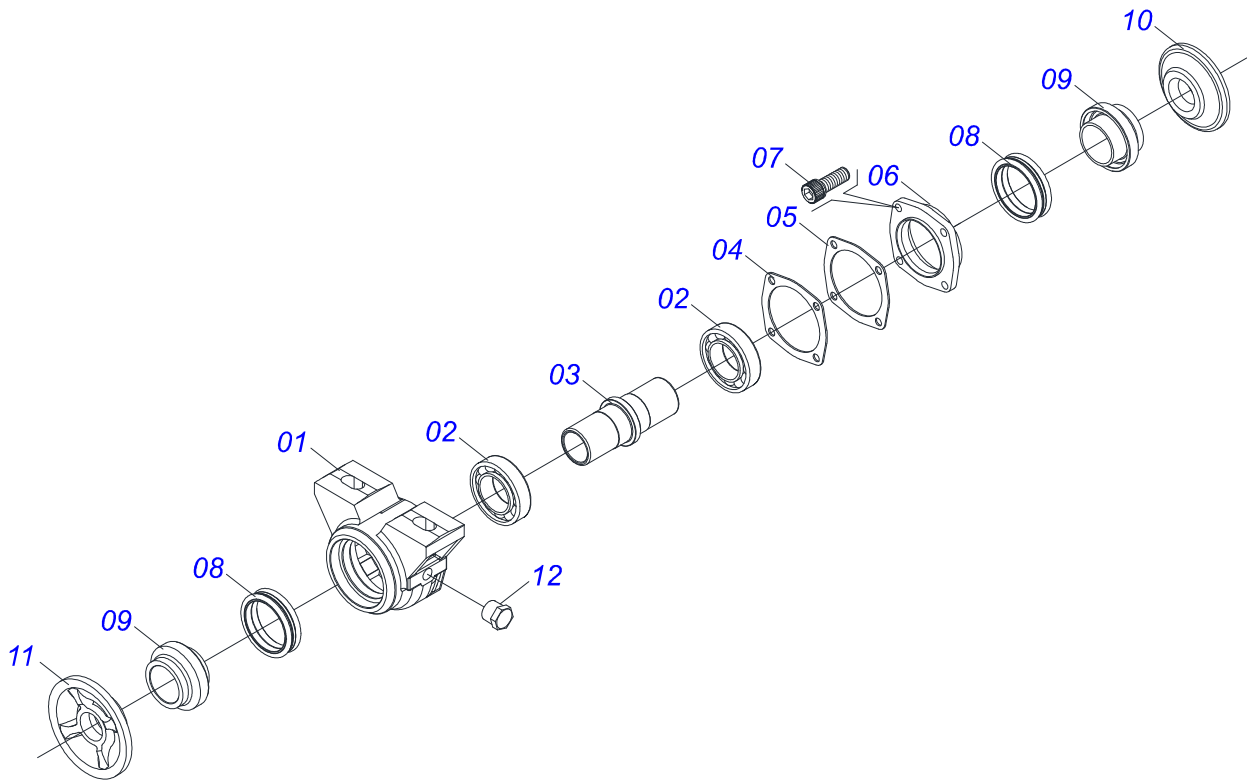
Item	Code	Description	See page	QT
01	0501059898	1.1/2 6FPP X 2880 AXLE WITH NUTS		01
01A	0561016111	1.1/2 6FPP X 2880 AXLE		01
01B	0501010110	1.1/2" NUT		02
02	0502010627	SPACER		11
03	0501018592	1.5/8" NUT LOCK		02
04	0502010872	1-1/2" INNER AXLE WASHER		01
05	0501012140	FLAT WASHER		02
06	0503012412	5/8 UNC SELF LOCKING NUT		02
07	0503011267	5/8 UNC X 1.1/2 C S G.5 ZN BOLT		02
08	0601029413	DL 22 X 4,5 C64AF02FR1.9/16		15
08.	0602029396	22X4,75 NOTCHED DISC BLADE		15
08..	0601029414	DL 22 X 4,5 C63AF02FR1.9/16		15
08...	0602029416	DR 22 X 4,5 C64AF02FR1.9/16 10R		15
08....	0601031134	DL 24 X 4,5 C66AF02FR1.9/16		15
08.....	0602030419	24" X 4,75" NOTCHED DISC BLADE		15
09	0501047055	BEARING	27	03
09.	0521047187	BEARING	28	03
10	0502010871	1-1/2" EXTERNAL AXLE WASHER		01
11	0501058802	5/8 UNC X 2.3/4 BOLT ASSY		06
11A	0503015154	5/8" X 2.3/4" BOLT		06
11B	0501010947	5/8 NUT LOCK		06
11C	0503010013	5/8 NUT		12
11D	0501012140	FLAT WASHER		06
12	0521059224	SCREW ASSEMBLY		06
12A	0501013233	5/8" X 2-3/4" BOLT		01
12B	0503010013	5/8 NUT		02
12C	0501012140	FLAT WASHER		01



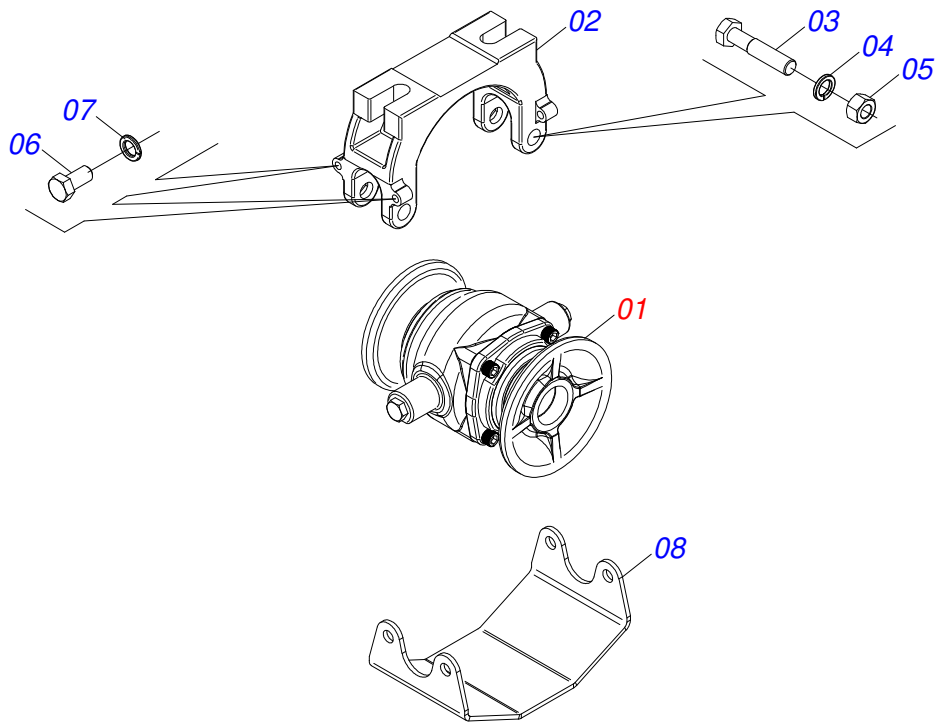
Item	Code	Description	See page	QT
01	0501059898	1.1/2 6FPP X 2880 AXLE WITH NUTS		01
01A	0561016111	1.1/2 6FPP X 2880 AXLE		01
01B	0501010110	1.1/2" NUT		02
02	0502010627	SPACER		11
03	0501018592	1.5/8" NUT LOCK		02
04	0502010872	1-1/2" INNER AXLE WASHER		01
05	0501012140	FLAT WASHER		02
06	0503012412	5/8 UNC SELF LOCKING NUT		02
07	0503011267	5/8 UNC X 1.1/2 C S G.5 ZN BOLT		02
08	0601029413	DL 22 X 4,5 C64AF02FR1.9/16		15
08.	0602029396	22X4,75 NOTCHED DISC BLADE		15
08..	0601029414	DL 22 X 4,5 C63AF02FR1.9/16		15
08...	0602029416	DR 22 X 4,5 C64AF02FR1.9/16 10R		15
08....	0601031134	DL 24 X 4,5 C66AF02FR1.9/16		15
08.....	0602030419	24" X 4,75" NOTCHED DISC BLADE		15
09	0501047055	BEARING	27	03
09.	0521047187	BEARING	28	03
10	0502010871	1-1/2" EXTERNAL AXLE WASHER		01
11	0501058802	5/8 UNC X 2.3/4 BOLT ASSY		06
11A	0503015154	5/8" X 2.3/4" BOLT		06
11B	0501010947	5/8 NUT LOCK		06
11C	0503010013	5/8 NUT		12
11D	0501012140	FLAT WASHER		06
12	0521059224	SCREW ASSEMBLY		06
12A	0501013233	5/8" X 2-3/4" BOLT		01
12B	0503010013	5/8 NUT		02
12C	0501012140	FLAT WASHER		01



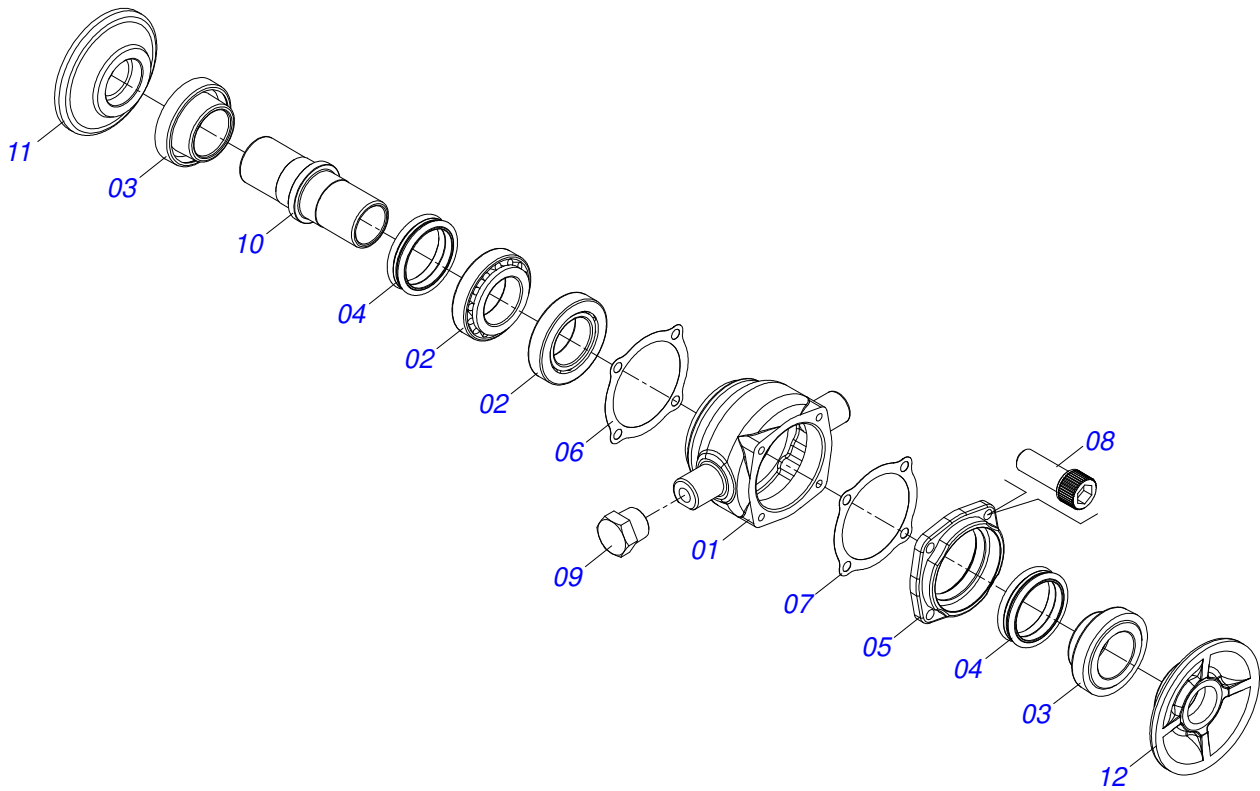
Item	Code	Description	See page	QT
01	0501059898	1.1/2 6FPP X 2880 AXLE WITH NUTS		01
01A	0561016111	1.1/2 6FPP X 2880 AXLE		01
01B	0501010110	1.1/2" NUT		02
02	0502010627	SPACER		11
03	0501018592	1.5/8" NUT LOCK		02
04	0502010872	1-1/2" INNER AXLE WASHER		01
05	0501012140	FLAT WASHER		02
06	0503012412	5/8 UNC SELF LOCKING NUT		02
07	0503011267	5/8 UNC X 1.1/2 C S G.5 ZN BOLT		02
08	0601029413	DL 22 X 4,5 C64AF02FR1.9/16		14
08.	0602029416	DR 22 X 4,5 C64AF02FR1.9/16 10R		14
08..	0602029396	22X4,75 NOTCHED DISC BLADE		14
08...	0602030419	24" X 4,75" NOTCHED DISC BLADE		14
08....	0601031134	DL 24 X 4,5 C66AF02FR1.9/16		14
08.....	0602030429	DR 24 X 4,5 C66AF02FR1.9/16 10R		14
09	0501047055	BEARING	27	03
09.	0521047187	BEARING	28	03
10	0502010871	1-1/2" EXTERNAL AXLE WASHER		01
11	0501058802	5/8 UNC X 2.3/4 BOLT ASSY		06
11A	0503015154	5/8" X 2.3/4" BOLT		06
11B	0501010947	5/8 NUT LOCK		06
11C	0503010013	5/8 NUT		12
11D	0501012140	FLAT WASHER		06
12	0601027299	DL 20 X 4,5 C57AF02FR1.9/16		01
12.	0602027160	DR20X4,75 C50AF02FR39,29 10REC WIES		01
12..	0602027343	DR 20 X 4,5 C57AF02FR1.9/16 10R		01
12...	0601029414	DL 22 X 4,5 C63AF02FR1.9/16		01
13	0521059224	SCREW ASSEMBLY		06
13A	0501013233	5/8" X 2-3/4" BOLT		01
13B	0503010013	5/8 NUT		02
13C	0501012140	FLAT WASHER		01



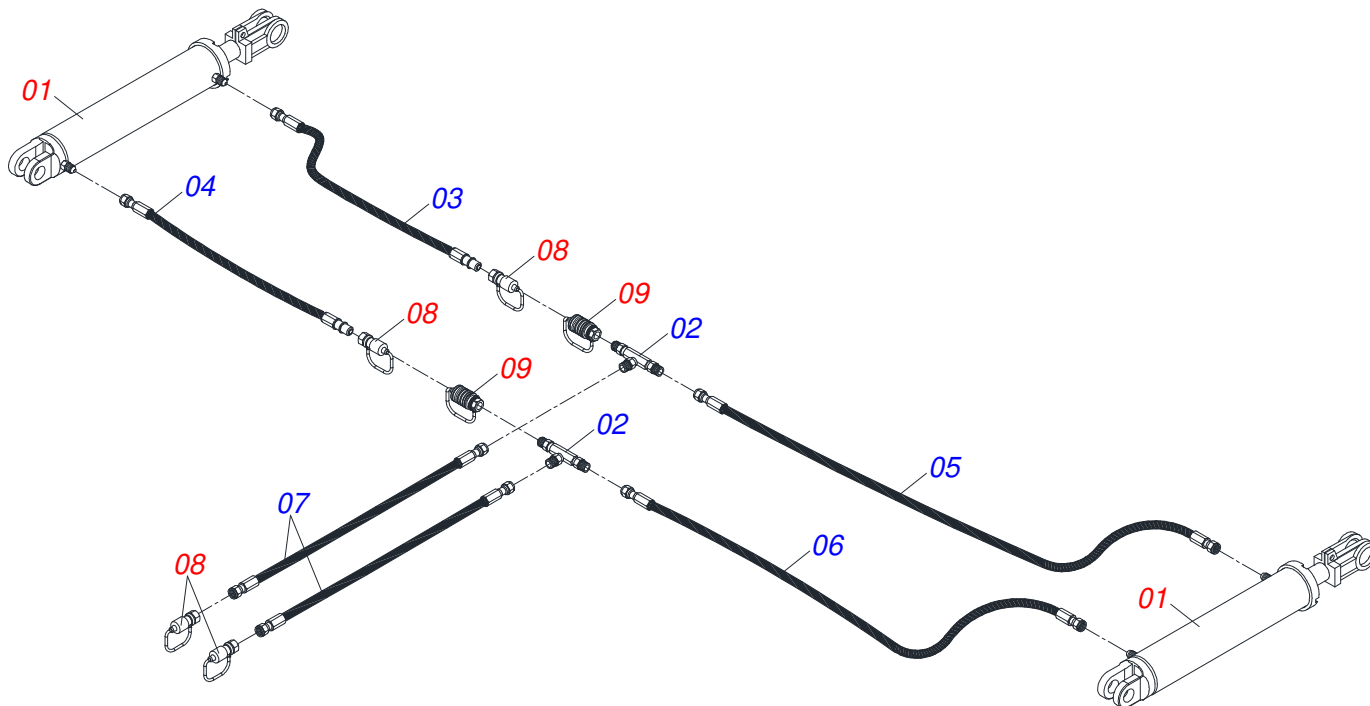
Item	Code	Description	See page	QT
01	0502010540	HOUSING DM		01
02	0503010006	32210 ROLLER BEARING		02
03	0502040061	AXLE		01
04	0503030013	4.4" X 3.5" X 0.004" JOINT		03
05	0503030684	4.4" X 3.5" X 0.004" JOINT		02
06	0502020424	HOUSING CAP		01
07	0503010134	3/8" X 1" BOLT		04
08	0503030026	SEAL LP JB-253		02
09	0502010541	SEAL RETAINER		02
10	0502010604	OUTER FLANGE		01
11	0502010605	INNER FLANGE		01
12	0503010856	OIL PLUG		02



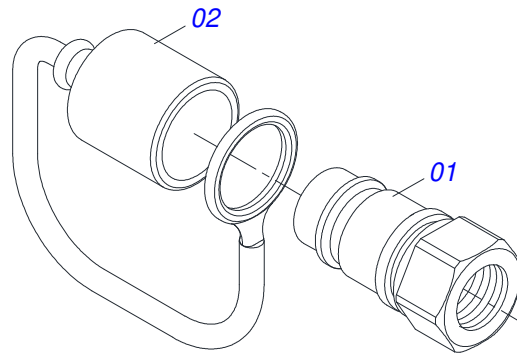
Item	Code	Description	See page	QT
01	0521050840	SWIVEL OIL BATH BEARING 192,5 X 1.1/2	29	01
02	0502012854	BEARING SUPPORT		01
03	0501011541	5/8" X 3" BOLT		02
04	0503010027	5/8 SPRING WASHER		02
05	0503010013	5/8 NUT		02
06	0503011334	BOLT 3/8 UNC X 3/4 CS G.5 ZN		04
07	0503010025	3/8 SPRING WASHER		04
08	0581014143	SWIVEL OIL BATH BEARING WEAR PLATE		01



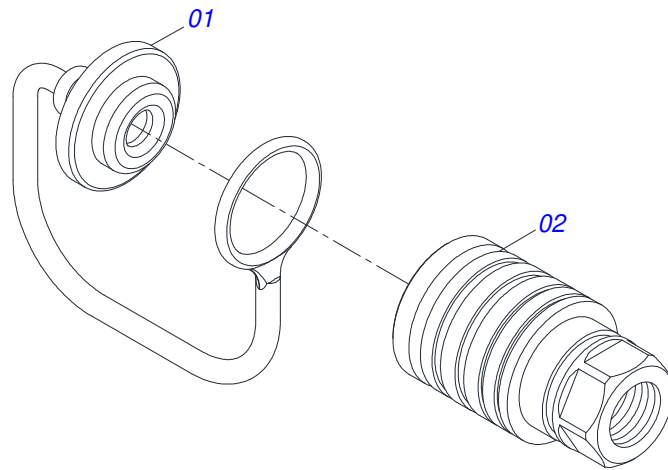
Item	Code	Description	See page	QT
01	0502012839	BEARING HOUSING		01
02	0503010006	32210 ROLLER BEARING		02
03	0502010541	SEAL RETAINER		02
04	0503030026	SEAL LP JB-253		02
05	0502020424	HOUSING CAP		01
06	0503030013	4.4" X 3.5" X 0.004" JOINT		02
07	0503030684	4.4" X 3.5" X 0.004" JOINT		01
08	0503010134	3/8" X 1" BOLT		04
09	0503010856	OIL PLUG		02
10	0502040061	AXLE		01
11	0502010605	INNER FLANGE		01
12	0502010604	OUTER FLANGE		01
13	3402301247	MINERAL OIL GREASE		0,13Lts



Item	Code	Description	See page	QT
01	0511058461	HYDRAULIC CYLINDER	13	02
02	0511062886	CONNECTION T		02
03	0501080719	HOSE 3/8 X 5300 TR-TM		01
04	0501081363	3/8 X 4900 TR-TM HOSE		01
05	0501080341	3/8 X 5400 TR-TR HOSE		01
06	0501080835	3/8 X 4700 TR-TR HOSE		01
07	0501080509	TR-TM HOSE ASSY		02
08	0501053834	MALE QUICK COUPLER	31	04
09	0501053835	FEMALE QUICK COUPLER	32	02



Item	Code	Description	See page	QT
01	0503011627	MALE QUICK COUPLER AGR 1/2 NPT		01
02	0503011882	MALE QUICK COUPLER CAP		01



Item	Code	Description	See page	QT
01	0503011883	QUICK CONNECTION COVER		01
02	0503011628	FEMALE QUICK COUPLER		01



civemasa

Technical Publications | Elaboration and Revision
ALESSANDRA PATRICIA KAWAHARA CARRILI

www.civemasa.com.br

