

DISK HARROWS

GDFM/E 104

Code: 0501092001
Series: S-0816
Revision: 00
Revision Date: SETEMBRO/2017

PARTS CATALOGUE


CIVEMASA

PRODUCTS

| Code | Description | |
|-------------|--------------------------------|--------|
| 0120660082 | GDFM/E 104 X 22 X 4,5 DM DR PA | S-0816 |
| 0120660081 | GDFM/E 104 X 22 X 4,5 DM MT PA | S-0816 |

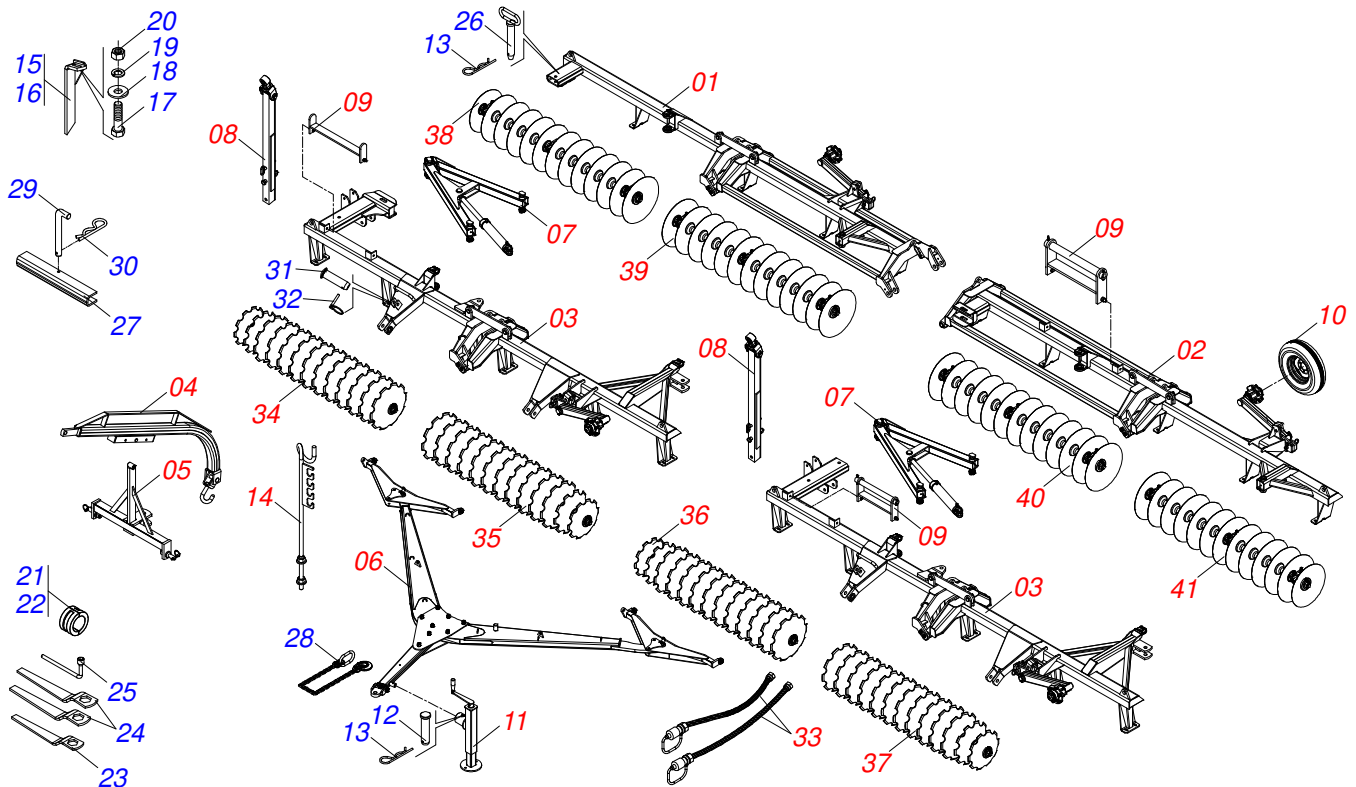
ATTENTION: IMPORTANT

CIVEMASA reserves the right to improve and/or modify the technical features of its products, without obligation to do the same with those products already sold and without prior knowledge of the dealer or the consumer. The photos are only illustrative.



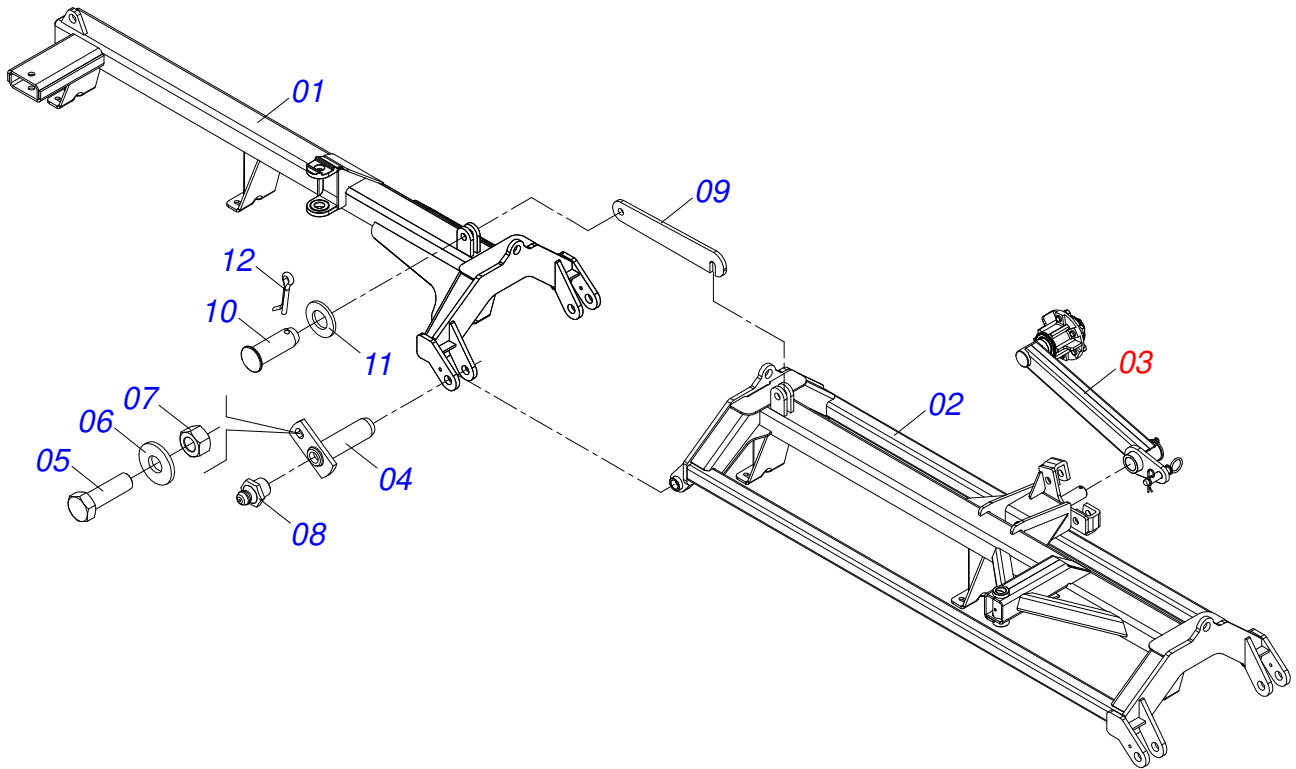
INDEX

| | | | |
|------------|-------------------------------|-------|----|
| 0909093520 | GDFM/E 104 | | 1 |
| 0521047335 | ASSY RIGHT REAR FRAME | | 2 |
| 0521047336 | ASSY LEFT REAR FRAME | | 3 |
| 0521047337 | ASSY FRAME FRONT RIGHT / LEFT | | 4 |
| 0521050970 | ASSY WHEEL | | 5 |
| 0511050078 | WHEEL WITH HUB | | 6 |
| 0501051142 | CARRYING WHEEL HUB | | 7 |
| 0521042072 | FRAME ASSY | | 8 |
| 0501053527 | HEADER WITH EAR HITCH | | 9 |
| 0909093510 | TRACTION ASSY OF | | 10 |
| 0521046114 | ASSY BAR TRACTION | | 11 |
| 0909093511 | OPENING ASSY | | 12 |
| 0521050969 | 1400 ASSY TRACTION BAR | | 13 |
| 0521051010 | LONGITUDINAL TRANSPORT ASSY | | 14 |
| 0503060091 | L29.5"X0.63"-10L WHEEL AND | | 15 |
| 0511048088 | DRAWBAR JACK | | 16 |
| 0501040257 | 3/4 X 1200 HOSE HOLDER A | | 17 |
| 0909093512 | SECTION FRONT RIGHT SIDE | | 18 |
| 0909093513 | CENTRAL FRONT SECTION | | 19 |
| 0909093514 | CENTRAL FRONT SECTION LEFT | | 20 |
| 0909093515 | SECTION FRONT SIDE LEFT | | 21 |
| 0909093516 | SIDE REAR SECTION RIGHT | | 22 |
| 0909093517 | CENTRAL RIGHT REAR SECTION | | 23 |
| 0909093518 | LEFT CENTRAL REAR SECTION | | 24 |
| 0909093519 | SECTION REAR LEFT SIDE | | 25 |
| 0501047055 | BEARING | | 26 |
| 0909093489 | HYDRAULIC CIRCUIT | | 27 |
| 0511058461 | HYDRAULIC CYLINDER | | 28 |
| 0501053834 | MALE QUICK COUPLER | | 29 |
| 0501053835 | FEMALE QUICK COUPLER | | 30 |

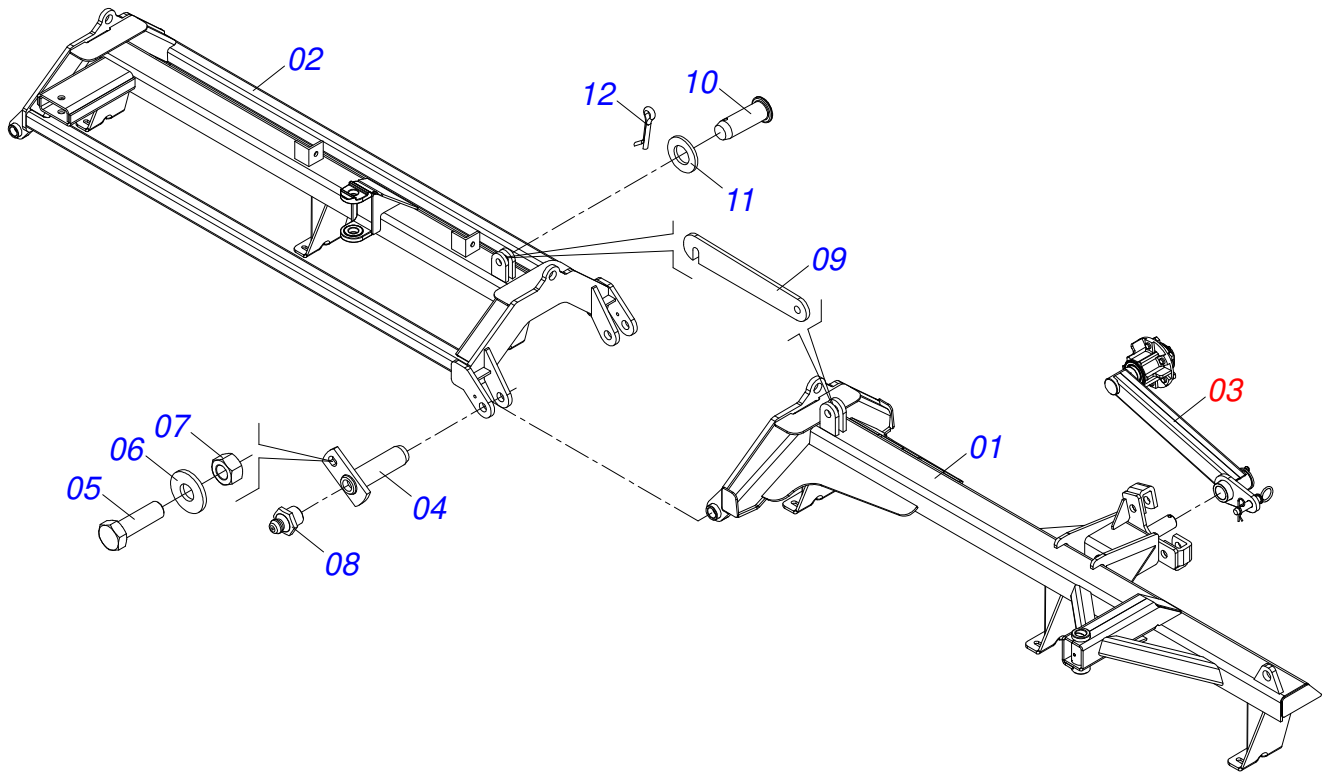


| Item | Code | Description | See page | QT |
|------|------------|-----------------------------------|----------|-----|
| 01 | 0521047335 | ASSY RIGHT REAR FRAME | 2 | 01 |
| 02 | 0521047336 | ASSY LEFT REAR FRAME | 3 | 01 |
| 03 | 0521047337 | ASSY FRAME FRONT RIGHT / LEFT | 4 | 02 |
| 04 | 0521042072 | FRAME ASSY | 8 | 01 |
| 05 | 0501053527 | HEADER WITH EAR HITCH | 9 | 01 |
| 06 | 0909093510 | TRACTION ASSY OF | 10 | 01 |
| 07 | 0909093511 | OPENING ASSY | 12 | 01 |
| 08 | 0521050969 | 1400 ASSY TRACTION BAR | 13 | 01 |
| 09 | 0521051010 | LONGITUDINAL TRANSPORT ASSY | 14 | 01 |
| 10 | 0503060091 | L29.5"X0.63"-10L WHEEL AND | 15 | 04 |
| 11 | 0511048088 | DRAWBAR JACK | 16 | 01 |
| 12 | 0561014251 | COUPLING SHAFT | | 01 |
| 13 | 0503030012 | HITCH PIN CLIP | | 01 |
| 14 | 0501040257 | 3/4 X 1200 HOSE HOLDER A | 17 | 01 |
| 15 | 0501063962 | REAR SCRAPER | | 38 |
| 16 | 0501063963 | FRONT SCRAPER | | 39 |
| 17 | 0503011082 | C1/2" X 1.3/4" SCREW | | 154 |
| 18 | 0511017302 | FLAT WASHER | | 154 |
| 19 | 0503010019 | 1/2" SPRING WASHER | | 154 |
| 20 | 0503010060 | 1/2" NUT | | 154 |
| 21 | 0501047895 | ROD STOP | | 12 |
| 22 | 0501047885 | ROD STOP | | 08 |
| 23 | 0511018451 | 5/8" X 3/4" X 1" UNIVERSAL | | 01 |
| 24 | 0501011432 | 1-1/2" AND 1-5/8 GANG BOLT WRENCH | | 02 |
| 25 | 0501068273 | 5/8" WRENCH | | 01 |
| 26 | 0501075403 | HITCH PIN | | 02 |
| 27 | 0561018173 | LOCK FOR TRANSPORT | | 02 |
| 28 | 0503013150 | 1300 X 3/8 CHAIN | | 01 |
| 29 | 0541016844 | FIXER LOCK | | 02 |
| 30 | 0503030168 | HITCH PIN CLIP | | 02 |
| 31 | 0501019002 | JUNCTION SHAFT | | 02 |

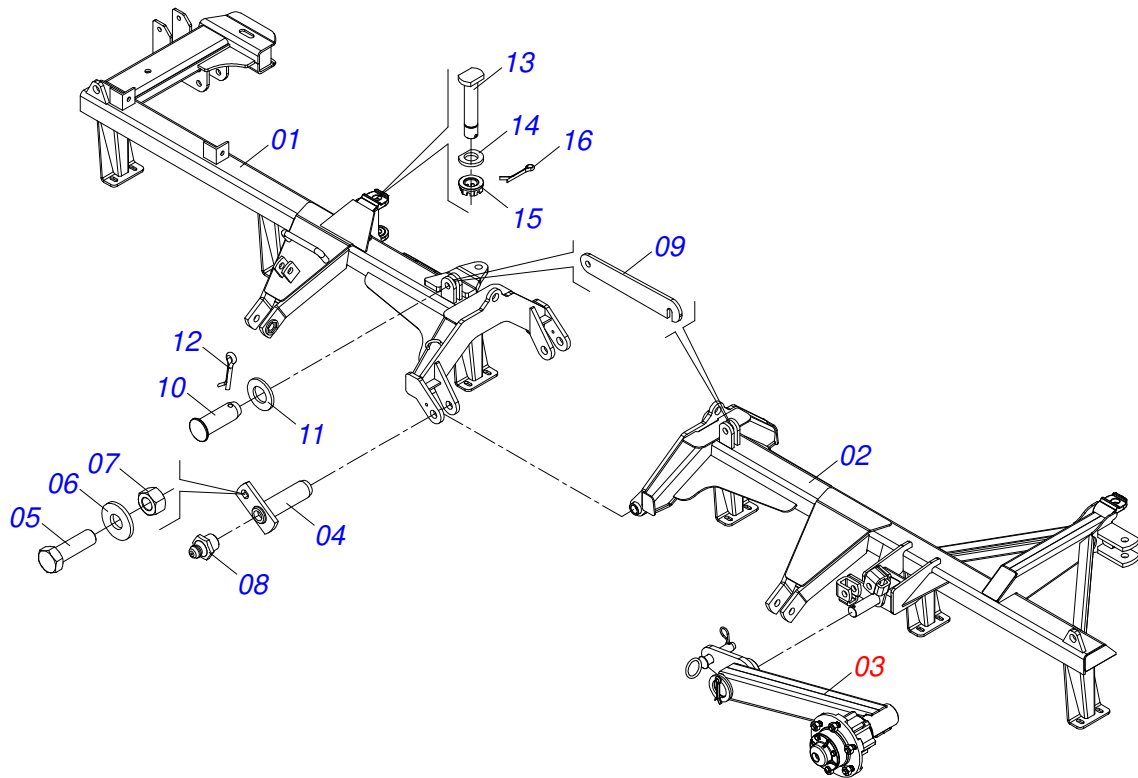
| Item | Code | Description | See page | QT |
|-------------|-------------|----------------------------|-----------------|-----------|
| 32 | 0503030085 | LOCK PIN | | 02 |
| 33 | 0909093489 | HYDRAULIC CIRCUIT | 27 | 01 |
| 34 | 0909093512 | SECTION FRONT RIGHT SIDE | 18 | 01 |
| 35 | 0909093513 | CENTRAL FRONT SECTION | 19 | 01 |
| 36 | 0909093514 | CENTRAL FRONT SECTION LEFT | 20 | 01 |
| 37 | 0909093515 | SECTION FRONT SIDE LEFT | 21 | 01 |
| 38 | 0909093516 | SIDE REAR SECTION RIGHT | 22 | 01 |
| 39 | 0909093517 | CENTRAL RIGHT REAR SECTION | 23 | 01 |
| 40 | 0909093518 | LEFT CENTRAL REAR SECTION | 24 | 01 |
| 41 | 0909093519 | SECTION REAR LEFT SIDE | 25 | 01 |



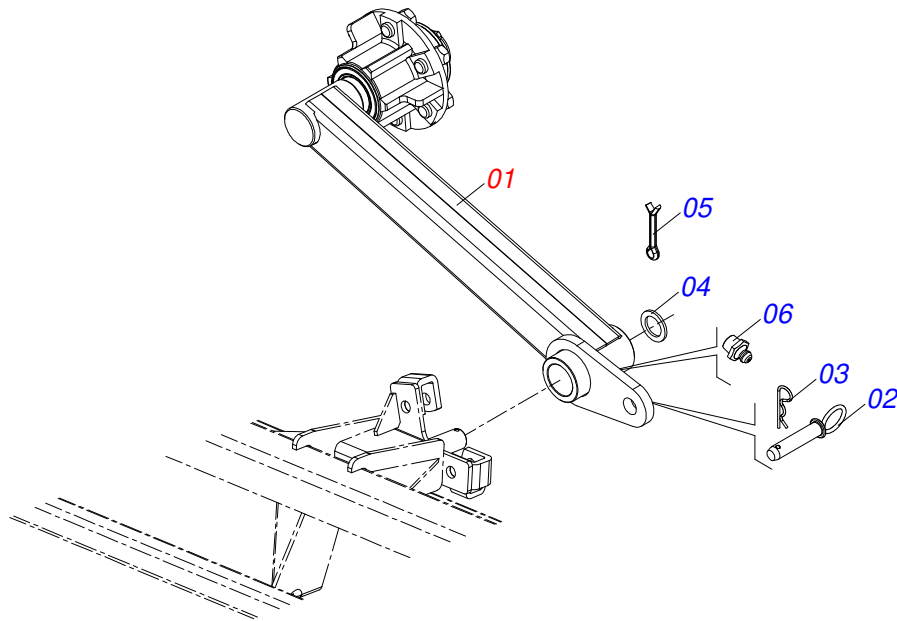
| Item | Code | Description | See page | QT |
|------|------------|-----------------------------|----------|----|
| 01 | 0521067668 | RIGHT REAR FRAME | | 01 |
| 02 | 0521067666 | REAR FRAME INTERNAL RIGHT | | 01 |
| 03 | 0521050970 | ASSY WHEEL | 5 | 01 |
| 04 | 0501063751 | 1.5" X 5.5" PIVOT SHAFT | | 02 |
| 05 | 0501010100 | SCREW 5/8 UNC X 2 CS G.5 ZN | | 02 |
| 06 | 0501012140 | FLAT WASHER | | 02 |
| 07 | 0503010013 | 5/8" NUT | | 02 |
| 08 | 0503010002 | 1800 GREASE FITTING | | 03 |
| 09 | 0501018941 | TRANSPORT LOCK | | 01 |
| 10 | 0521010592 | 1.1" X 3.1" COUPLING SHAFT | | 02 |
| 11 | 0511017480 | FLAT WASHER | | 02 |
| 12 | 0503010571 | 1/4" X 1.1/2 COTTERPIN | | 02 |



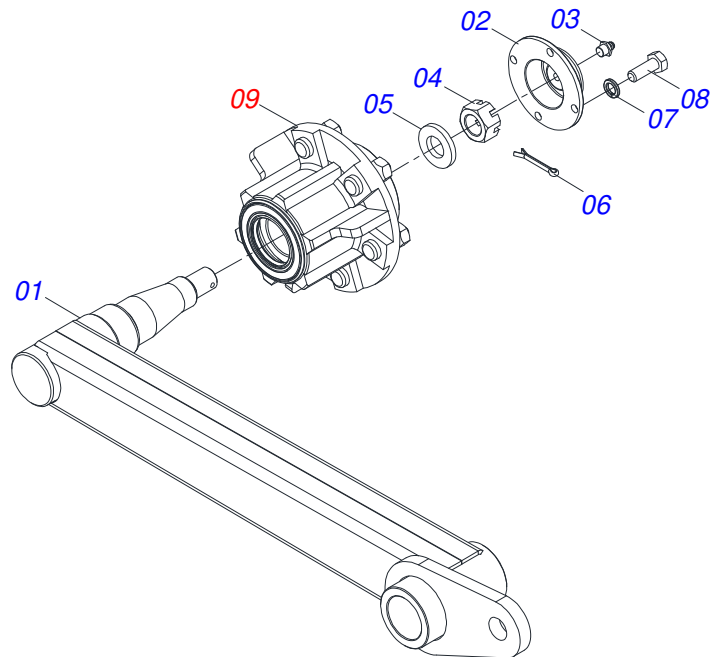
| Item | Code | Description | See page | QT |
|------|------------|-----------------------------|----------|----|
| 01 | 0521067664 | LEFT REAR FRAME | | 01 |
| 02 | 0521067665 | LEFT INTERNAL REAR CHASSIS | | 01 |
| 03 | 0521050970 | ASSY WHEEL | 5 | 01 |
| 04 | 0501063751 | 1.5" X 5.5" PIVOT SHAFT | | 02 |
| 05 | 0501010100 | SCREW 5/8 UNC X 2 CS G.5 ZN | | 02 |
| 06 | 0501012140 | FLAT WASHER | | 02 |
| 07 | 0503010013 | 5/8" NUT | | 02 |
| 08 | 0503010002 | 1800 GREASE FITTING | | 03 |
| 09 | 0501018941 | TRANSPORT LOCK | | 01 |
| 10 | 0521010592 | 1.1" X 3.1" COUPLING SHAFT | | 02 |
| 11 | 0511017480 | FLAT WASHER | | 02 |
| 12 | 0503010571 | 1/4" X 1.1/2 COTTERPIN | | 02 |



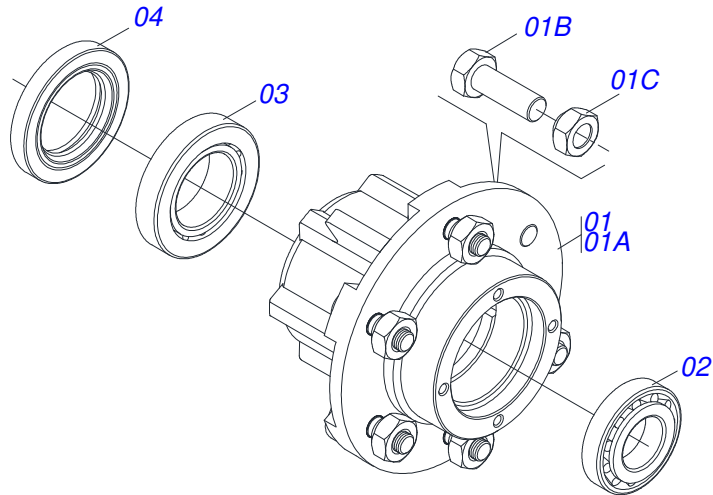
| Item | Code | Description | See page | QT |
|------|------------|----------------------------------|----------|----|
| 01 | 0521067653 | FRAME FRONT RIGHT | | 01 |
| 02 | 0521067669 | FRAME FRONT LEFT | | 01 |
| 03 | 0521050970 | ASSY WHEEL | 5 | 01 |
| 04 | 0501063751 | 1.5" X 5.5" PIVOT SHAFT | | 02 |
| 05 | 0501010100 | SCREW 5/8 UNC X 2 CS G.5 ZN | | 02 |
| 06 | 0501012140 | FLAT WASHER | | 02 |
| 07 | 0503010013 | 5/8" NUT | | 02 |
| 08 | 0503010002 | 1800 GREASE FITTING | | 02 |
| 09 | 0501018941 | TRANSPORT LOCK | | 01 |
| 10 | 0521010592 | 1.1" X 3.1" COUPLING SHAFT | | 02 |
| 11 | 0511017480 | FLAT WASHER | | 02 |
| 12 | 0503010571 | 1/4" X 1.1/2" COTTERPIN | | 02 |
| 13 | 0531019497 | 1.5" X 9.2" ARTICULATED AXIS | | 01 |
| 14 | 0501012916 | FLAT WASHER 38,50 X 66 X 4,75 ZN | | 01 |
| 15 | 0501011301 | 1.1/2 UNC 6FPP 2.5/16 NUT | | 01 |
| 16 | 0503010010 | 1/4" X 2.1/2" COTTERPIN | | 01 |



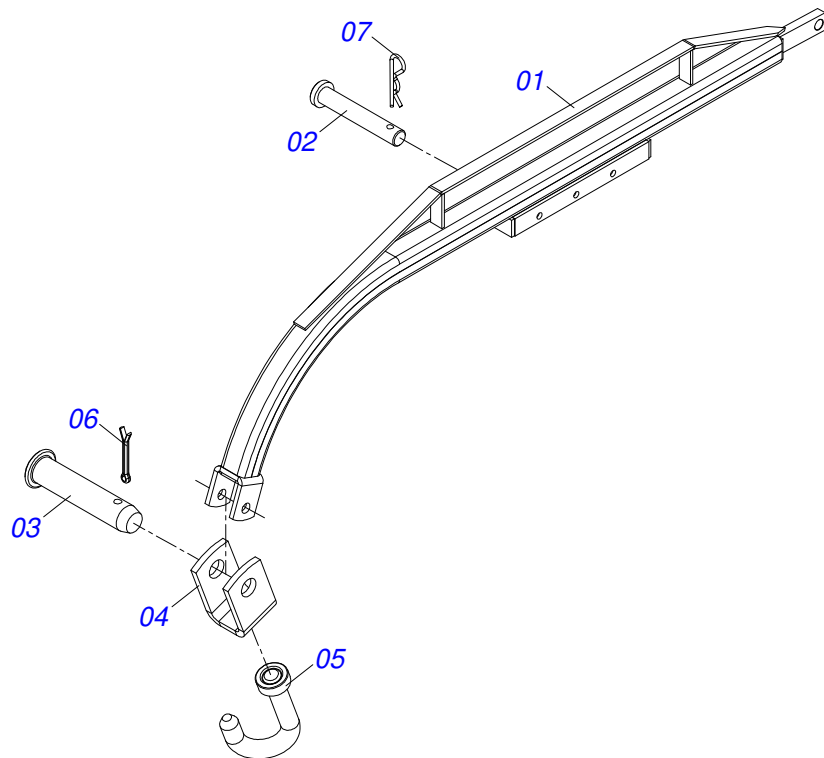
| Item | Code | Description | See page | QT |
|------|------------|----------------------------|----------|----|
| 001 | 0511050078 | WHEEL WITH HUB | 6 | 01 |
| 002 | 0501068992 | 0.9" X 4.5" COUPLING SHAFT | | 01 |
| 003 | 0503030012 | HITCH PIN CLIP | | 01 |
| 004 | 0501015875 | FLAT WASHER | | 01 |
| 005 | 0503010534 | 3/8 X 2-1/2 COTTERPIN | | 01 |
| 006 | 0503010002 | 1800 GREASE FITTING | | 01 |



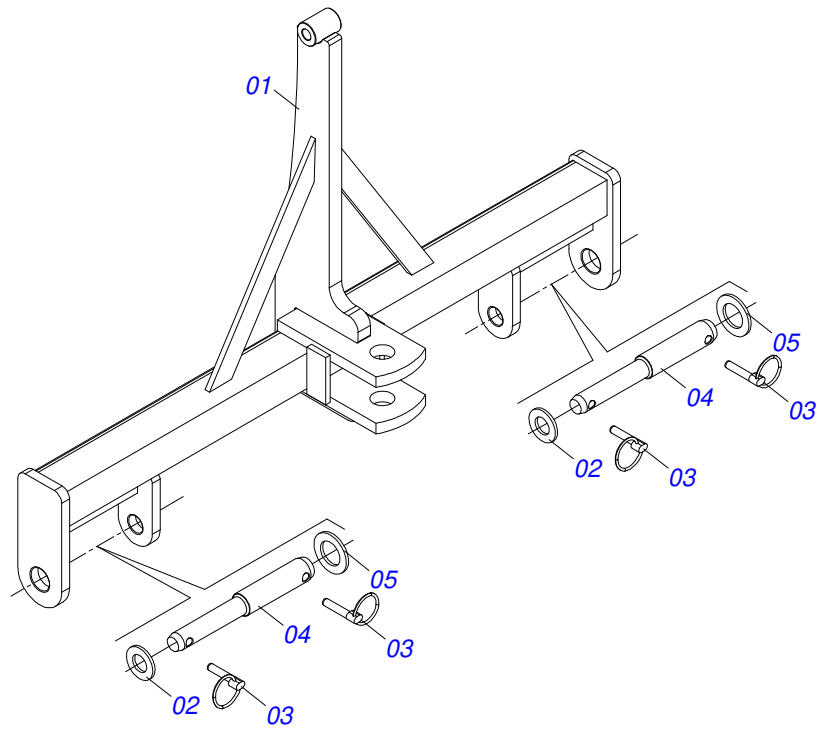
| Item | Code | Description | See page | QT |
|------|------------|------------------------|----------|----|
| 01 | 0521061622 | WHEEL SUPPORT | | 01 |
| 02 | 0502020591 | PROTECCION COVER | | 01 |
| 03 | 0503010002 | 1800 GREASE FITTING | | 01 |
| 04 | 0503030009 | 1" CASTLE NUT | | 01 |
| 05 | 0501016545 | FLAT WASHER | | 01 |
| 06 | 0503010018 | 5/32 X 1-1/2 COTTERPIN | | 01 |
| 07 | 0503011444 | SPRING WASHER | | 04 |
| 08 | 0503010358 | 5/16" X 5/8" BOLT | | 04 |
| 09 | 0501051142 | CARRYING WHEEL HUB | 7 | 01 |



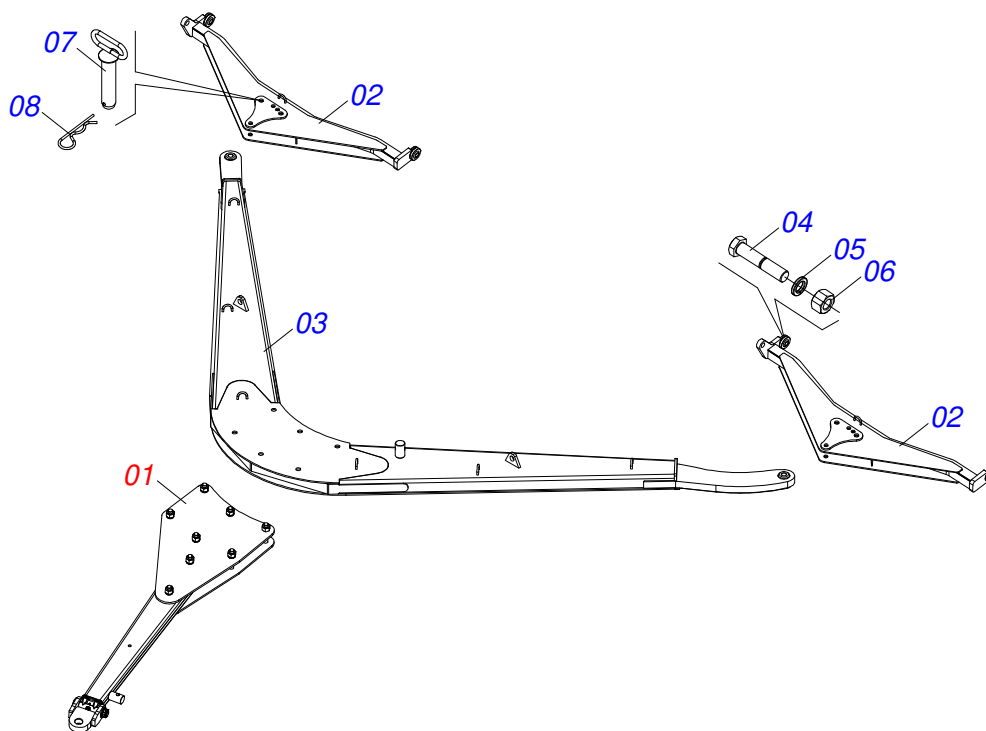
| Item | Code | Description | See page | QT |
|------|------------|-------------------------|----------|----|
| 01 | 0501110728 | WHEEL HUB | | 01 |
| 01A | 0502011121 | CARRYING WHEEL HUB | | 01 |
| 01B | 0501010127 | 9/16" X 1-7/8" LUG BOLT | | 06 |
| 01C | 0503010035 | 9/16" CONIC NUT | | 06 |
| 02 | 0503010037 | 30207 ROLLER BEARING | | 01 |
| 03 | 0503010006 | 32210 ROLLER BEARING | | 01 |
| 04 | 0503012928 | SEAL | | 01 |



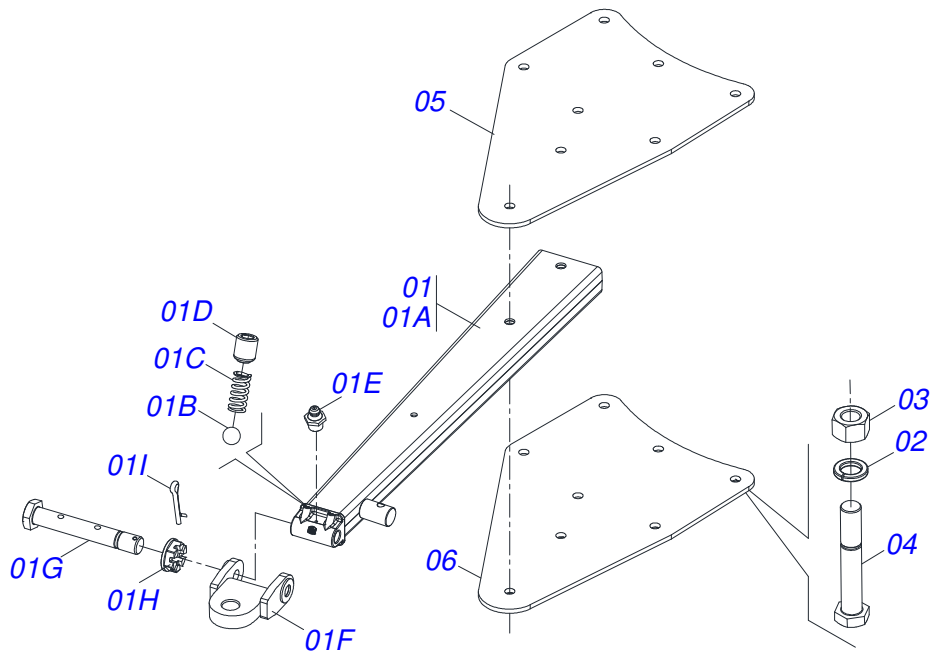
| Item | Code | Description | See page | QT |
|------|------------|------------------------|----------|----|
| 01 | 0501062595 | FRAME GAT 800 | | 01 |
| 02 | 0501011388 | COUPLING SHAFT | | 01 |
| 03 | 0521010579 | COUPLING SHAFT | | 01 |
| 04 | 0511016686 | U HOOK | | 01 |
| 05 | 0501067537 | 25,4 X 100 HOOK | | 01 |
| 06 | 0503010018 | 5/32 X 1-1/2 COTTERPIN | | 01 |
| 07 | 0503030168 | HITCH PIN CLIP | | 01 |



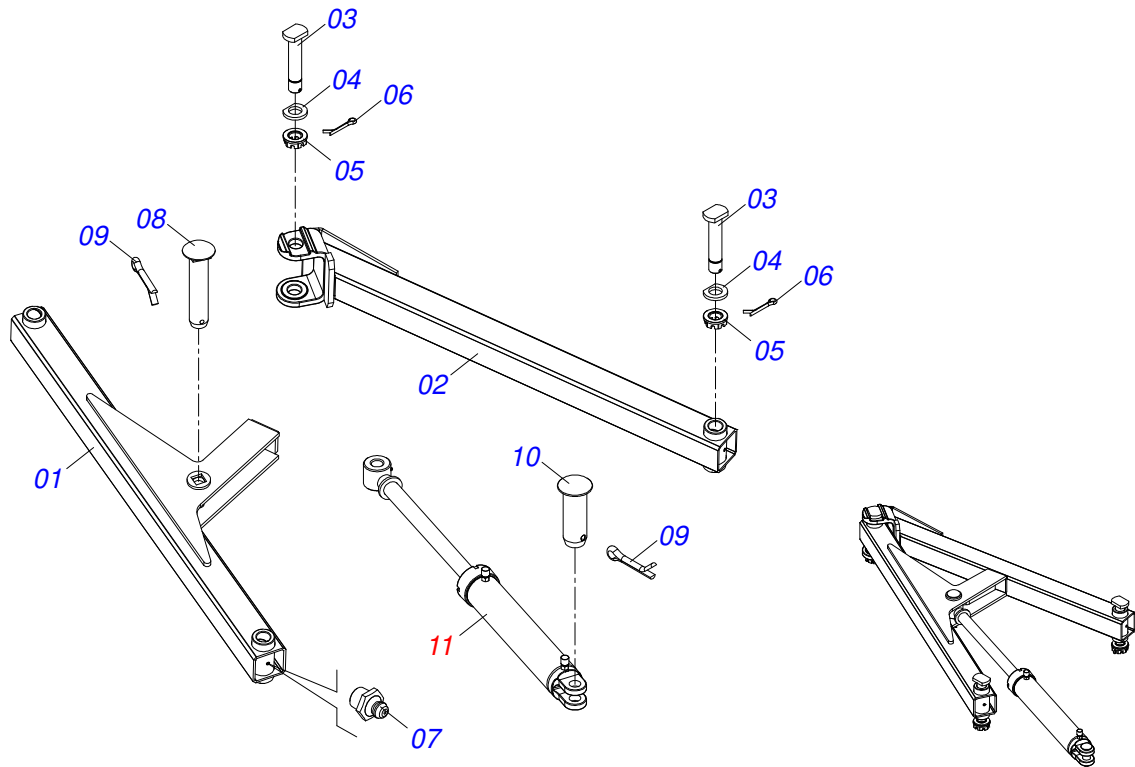
| Item | Code | Description | See page | QT |
|------|------------|----------------------------------|----------|----|
| 01 | 0511062944 | DRAWBAR | | 01 |
| 02 | 0501012916 | FLAT WASHER 38,50 X 66 X 4,75 ZN | | 02 |
| 03 | 0503030430 | 7/16 X 2" PIN LOCK | | 04 |
| 04 | 0541015542 | 1.1/8" HITCH AXLE | | 02 |
| 05 | 0511017480 | FLAT WASHER | | 02 |



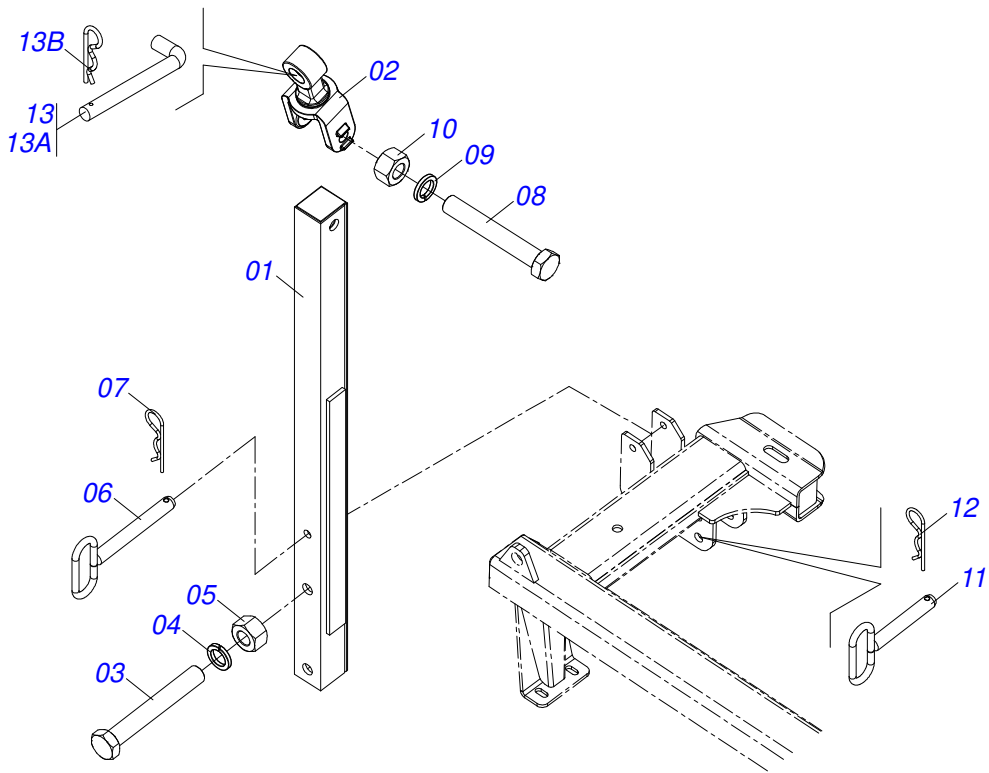
| Item | Code | Description | See page | QT |
|------|------------|----------------------------|----------|----|
| 01 | 0521046114 | ASSY BAR TRACTION | 11 | 01 |
| 02 | 0521065186 | HITCH BAR | | 02 |
| 03 | 0521067662 | HEADER | | 01 |
| 04 | 0501010426 | 1-1/4" X 6" SCREW | | 04 |
| 05 | 0503010070 | SPRING WASHER | | 04 |
| 06 | 0501010087 | 1.1/4" NUT | | 04 |
| 07 | 0511062895 | 31,75 X 150 COUPLING SHAFT | | 02 |
| 08 | 0503030012 | HITCH PIN CLIP | | 02 |



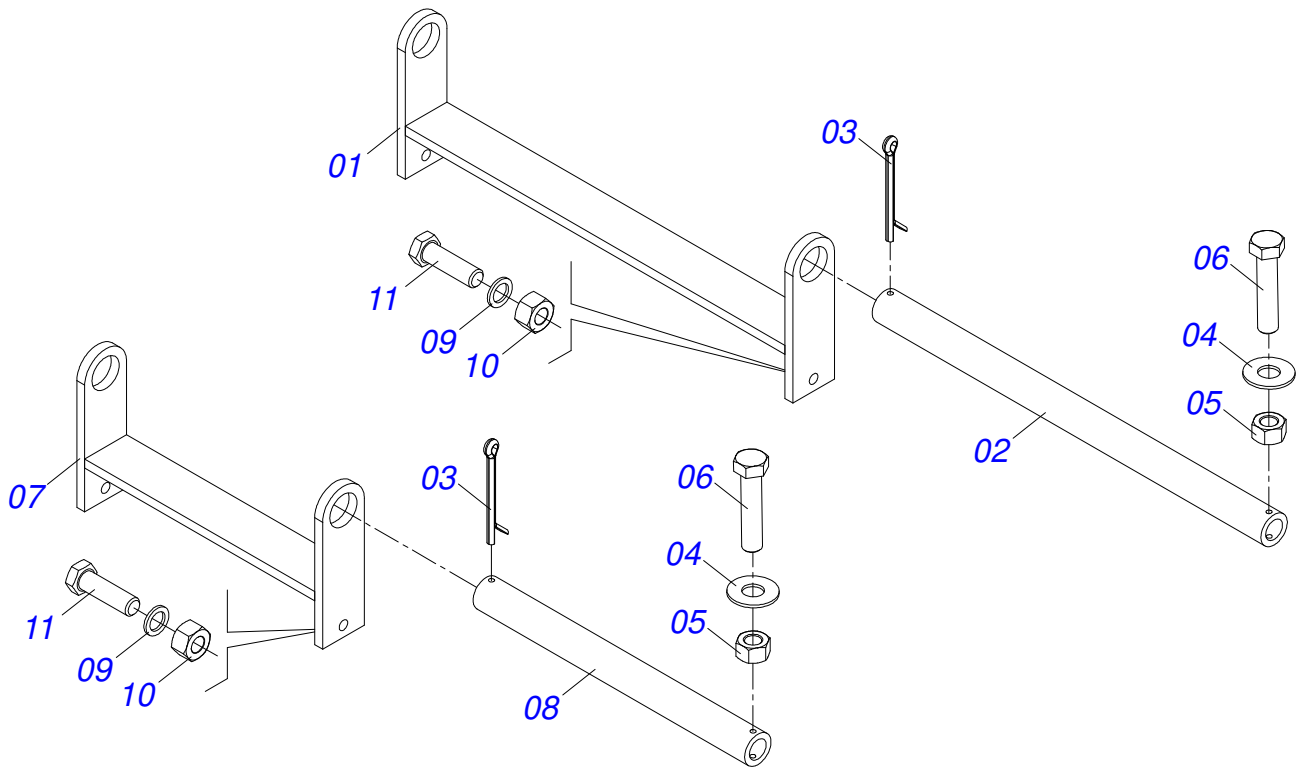
| Item | Code | Description | See page | QT |
|------|------------|---------------------------|----------|----|
| 01 | 0511058610 | TRACTION BAR | | 01 |
| 01A | 0521066595 | TRACTION BAR | | 01 |
| 01B | 0503012389 | 1/2 BALL | | 02 |
| 01C | 0503033994 | COMPRESSION SPRING | | 02 |
| 01D | 0503013333 | BOLT | | 02 |
| 01E | 0503010002 | 1800 GREASE FITTING | | 01 |
| 01F | 0511070237 | TRACTOR HITCH | | 01 |
| 01G | 0571016538 | 1-1/2" X 245" BOLT | | 01 |
| 01H | 0501011301 | 1.1/2 UNC 6FPP 2.5/16 NUT | | 01 |
| 01I | 0503010010 | 1/4" X 2.1/2" COTTERPIN | | 01 |
| 02 | 0503010070 | SPRING WASHER | | 08 |
| 03 | 0501010087 | 1.1/4" NUT | | 08 |
| 04 | 0503013212 | SCREW | | 08 |
| 05 | 0581010778 | FIXING PLATE | | 01 |
| 06 | 0521066594 | FIXING PLATE | | 01 |



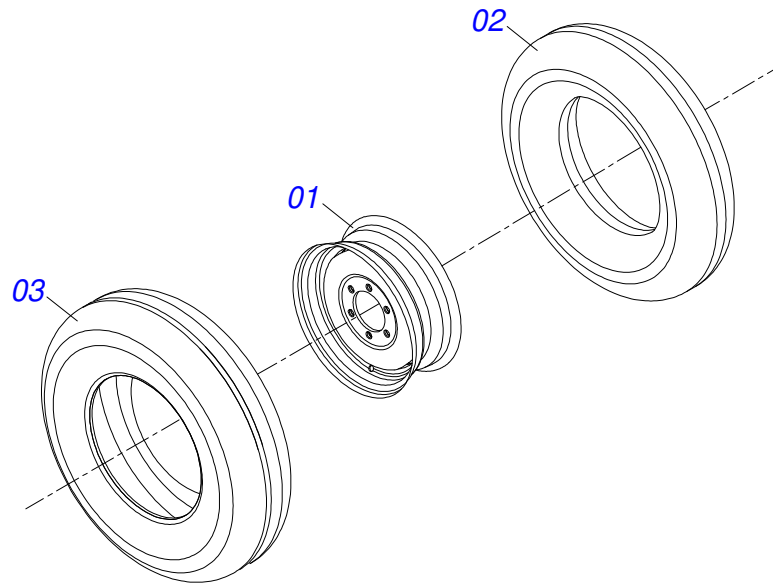
| Item | Code | Description | See page | QT |
|------|------------|----------------------------------|----------|----|
| 01 | 0511064087 | FRONT STABILIZER BAR | | 02 |
| 02 | 0511064088 | REAR STABILIZER BAR | | 02 |
| 03 | 0531019497 | 1.5" X 9.2" ARTICULATED AXIS | | 06 |
| 04 | 0501012916 | FLAT WASHER 38,50 X 66 X 4,75 ZN | | 06 |
| 05 | 0501011301 | 1.1/2 UNC 6FPP 2.5/16 NUT | | 06 |
| 06 | 0503010010 | 1/4" X 2.1/2" COTTERPIN | | 06 |
| 07 | 0503010002 | 1800 GREASE FITTING | | 03 |
| 08 | 0521013077 | 1.2" X 5.7" PIVOT SHAFT | | 02 |
| 09 | 0503010523 | 1/4" X 2" COTTERPIN | | 04 |
| 10 | 0521012538 | 1.2" X 3.5" COUPLING SHAFT | | 02 |
| 11 | 0511058461 | HYDRAULIC CYLINDER | 28 | 02 |



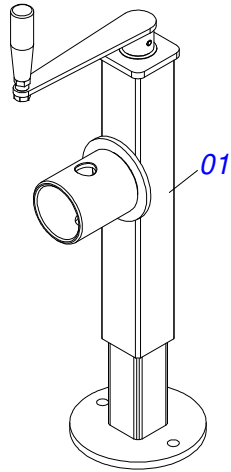
| Item | Code | Description | See page | QT |
|------|------------|------------------|----------|----|
| 001 | 0501060188 | DRAWBAR ASSY | | 01 |
| 002 | 0521061775 | TRACTOR HITCH | | 01 |
| 003 | 0501010334 | 1" X 7" BOLT | | 01 |
| 004 | 0503010012 | 1" SPRING WASHER | | 01 |
| 005 | 0501010059 | 1.5/8 NUT | | 01 |
| 006 | 0521064088 | LOCK AXLE | | 01 |
| 007 | 0503030012 | HITCH PIN CLIP | | 01 |
| 008 | 0501010334 | 1" X 7" BOLT | | 01 |
| 009 | 0503010012 | 1" SPRING WASHER | | 01 |
| 010 | 0501010059 | 1.5/8 NUT | | 01 |
| 011 | 0521067644 | JUNCTION SHAFT | | 01 |
| 012 | 0503031035 | HITCH PIN CLIP | | 01 |
| 013 | 0501040343 | DRAWBOLT ASSY | | 01 |
| 013A | 0521010453 | AXI SHAFT | | 01 |
| 013B | 0503031035 | HITCH PIN CLIP | | 01 |



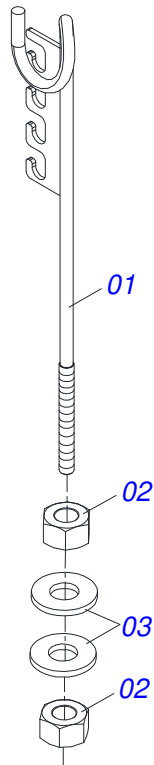
| Item | Code | Description | See page | QT |
|------|------------|--------------------------|----------|----|
| 001 | 0521067642 | SUPPORT TRANSPORT | | 01 |
| 002 | 0581013898 | TRANSPORT FIXING SHAFT | | 01 |
| 003 | 0503010074 | 3/8 X 0,15" COTTERPIN | | 02 |
| 004 | 0501013518 | FLAT WASHER | | 02 |
| 005 | 0503010026 | 3/8" NUT | | 02 |
| 006 | 0503010765 | 3/8" X 3" BOLT | | 02 |
| 007 | 0521067645 | SUPPORT TRANSPORT HEADER | | 01 |
| 008 | 0581013895 | TRANSPORT FIXING SHAFT | | 01 |
| 009 | 0501017066 | FLAT WASHER | | 02 |
| 010 | 0503010014 | 3/4" NUT | | 02 |
| 011 | 0501010125 | 3/4" X 2-1/2" BOLT | | 02 |



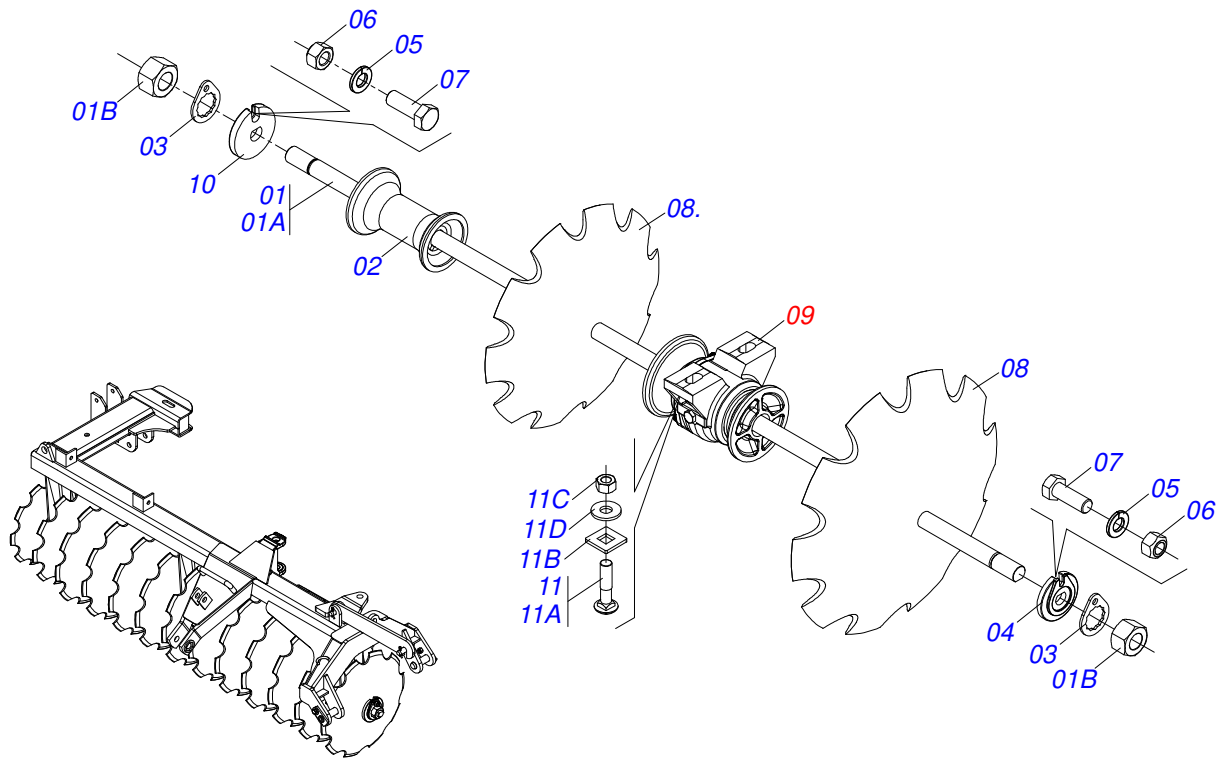
| Item | Code | Description | See page | QT |
|------|------------|----------------------|----------|----|
| 01 | 0503010893 | WHEEL | | 01 |
| 02 | 0503010033 | 7.50 X 16 INNER TIRE | | 01 |
| 03 | 0503010120 | CANVAS TIRE | | 01 |



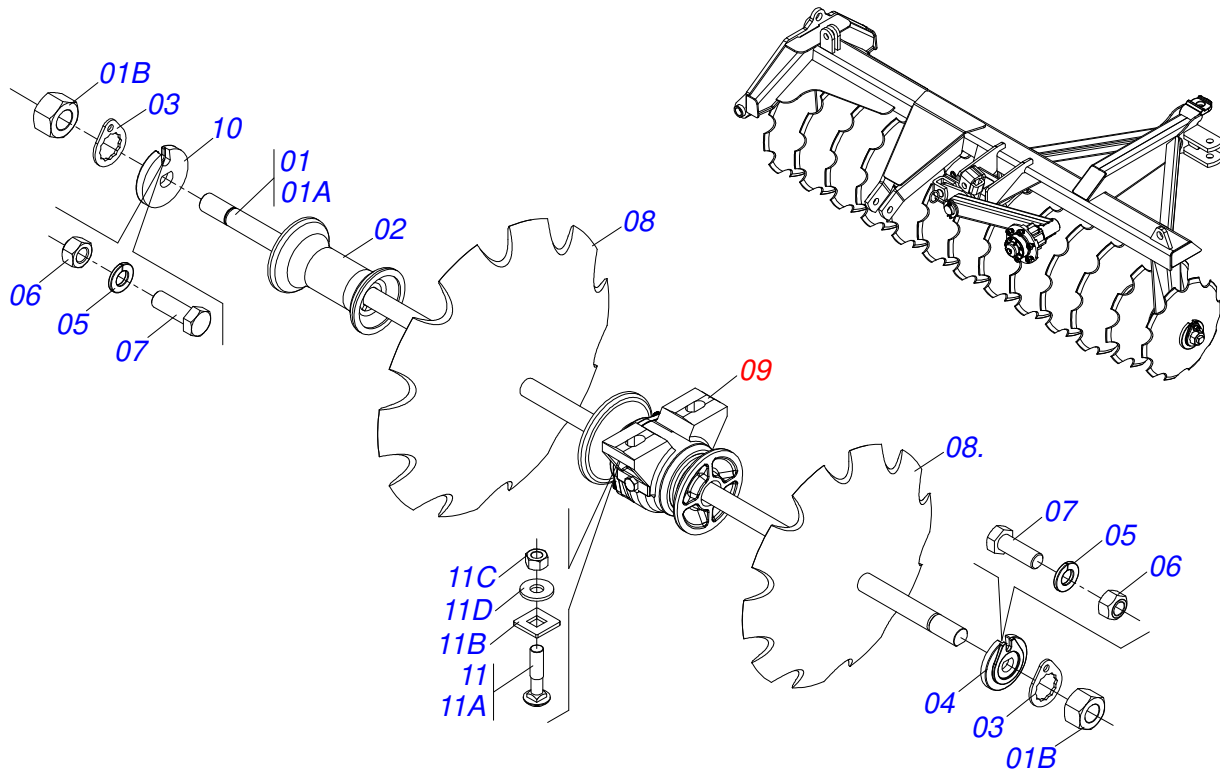
| Item | Code | Description | See page | QT |
|------|------------|--------------|----------|----|
| 01 | 0503062227 | DRAWBAR JACK | | 01 |



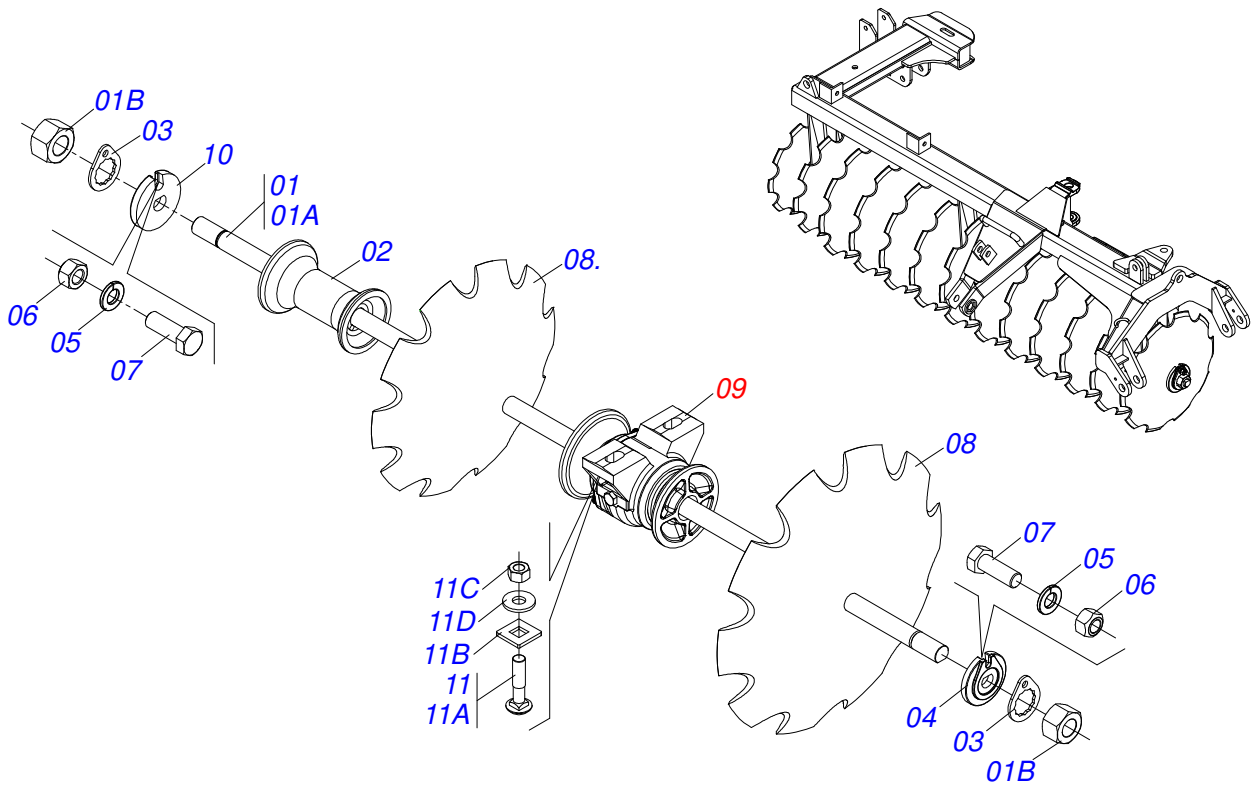
| Item | Code | Description | See page | QT |
|------|------------|--------------|----------|----|
| 01 | 0511067334 | HOSE SUPPORT | | 01 |
| 02 | 0503010014 | 3/4" NUT | | 02 |
| 03 | 0501010322 | FLAT WASHER | | 02 |



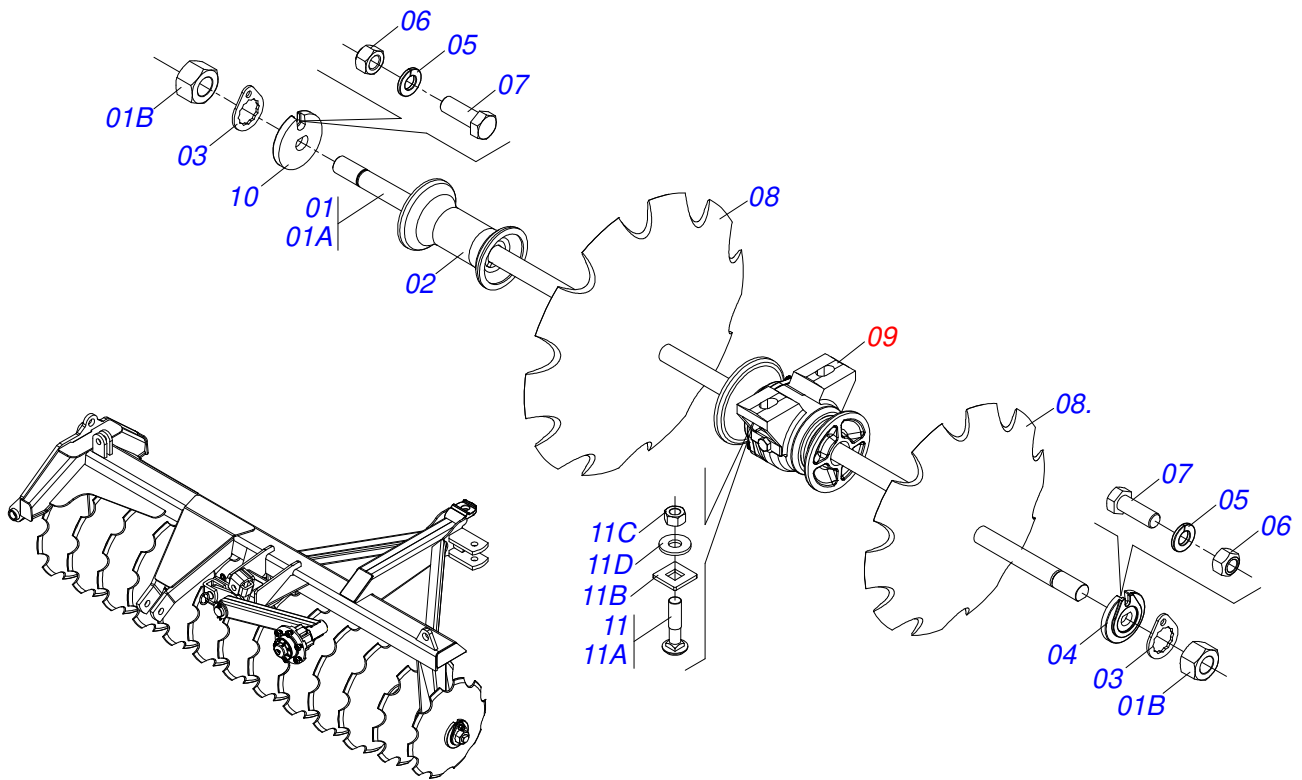
| Item | Code | Description | See page | QT |
|------|------------|-------------------------------------|----------|----|
| 01 | 0511054527 | AXIS 1.1/2" UNC X 2490 WITH NUTS | | 01 |
| 01A | 0531019372 | AXIS 1.1/2 6FPP X 2490 | | 01 |
| 01B | 0501010110 | 1.1/2" NUT | | 02 |
| 02 | 0502010627 | SPACER | | 09 |
| 03 | 0501018592 | 1.5/8" NUT LOCK | | 02 |
| 04 | 0502010871 | 1-1/2" EXTERNAL AXLE WASHER | | 01 |
| 05 | 0503010027 | 5/8" SPRING WASHER | | 02 |
| 06 | 0503010013 | 5/8" NUT | | 02 |
| 07 | 0503011267 | BOLT 5/8 UNC X 1.1/2 C S G.5 ZN | | 02 |
| 08 | 0602029416 | DR22X4,5 C64AF02FR1.9/16 10REC TATU | | 12 |
| 08. | 0602025263 | 18" X 4,5 NOTCHED DISC BLADE | | 01 |
| 09 | 0501047055 | BEARING | 26 | 03 |
| 10 | 0502010872 | 1-1/2" INNER AXLE WASHER | | 01 |
| 11 | 0501058802 | 5/8 UNC X 2.3/4 BOLT ASSY | | 06 |
| 11A | 0503015154 | 5/8" X 2.3/4" BOLT | | 06 |
| 11B | 0501010947 | 5/8 NUT LOCK | | 06 |
| 11C | 0503010013 | 5/8" NUT | | 12 |
| 11D | 0501012140 | FLAT WASHER | | 06 |



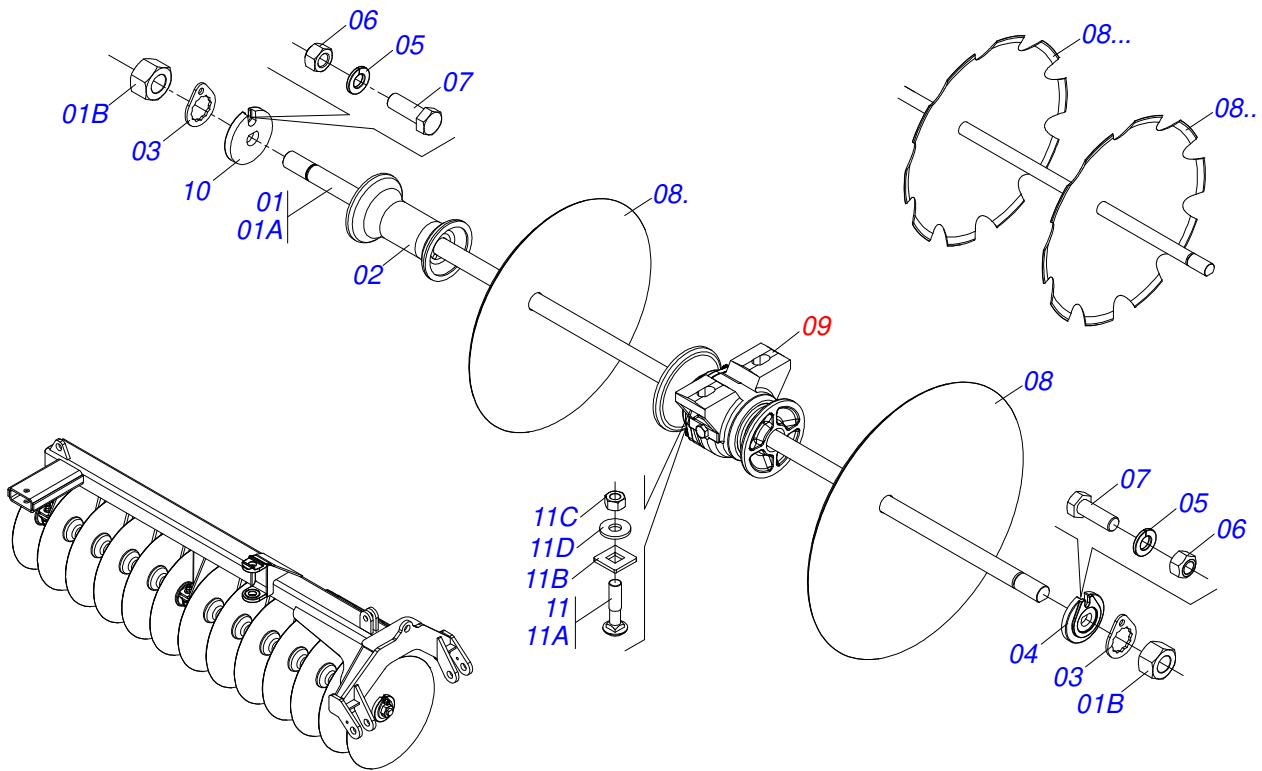
| Item | Code | Description | See page | QT |
|------|------------|-------------------------------------|----------|----|
| 01 | 0511054527 | AXIS 1.1/2" UNC X 2490 WITH NUTS | | 01 |
| 01A | 0531019372 | AXIS 1.1/2 6FPP X 2490 | | 01 |
| 01B | 0501010110 | 1.1/2" NUT | | 02 |
| 02 | 0502010627 | SPACER | | 09 |
| 03 | 0501018592 | 1.5/8" NUT LOCK | | 02 |
| 04 | 0502010871 | 1-1/2" EXTERNAL AXLE WASHER | | 01 |
| 05 | 0503010027 | 5/8" SPRING WASHER | | 02 |
| 06 | 0503010013 | 5/8" NUT | | 02 |
| 07 | 0503011267 | BOLT 5/8 UNC X 1.1/2 C S G.5 ZN | | 02 |
| 08 | 0602029416 | DR22X4,5 C64AF02FR1.9/16 10REC TATU | | 12 |
| 08. | 0602025263 | 18" X 4,5 NOTCHED DISC BLADE | | 01 |
| 09 | 0501047055 | BEARING | 26 | 03 |
| 10 | 0502010872 | 1-1/2" INNER AXLE WASHER | | 01 |
| 11 | 0501058802 | 5/8 UNC X 2.3/4 BOLT ASSY | | 06 |
| 11A | 0503015154 | 5/8" X 2.3/4" BOLT | | 06 |
| 11B | 0501010947 | 5/8 NUT LOCK | | 06 |
| 11C | 0503010013 | 5/8" NUT | | 12 |
| 11D | 0501012140 | FLAT WASHER | | 06 |



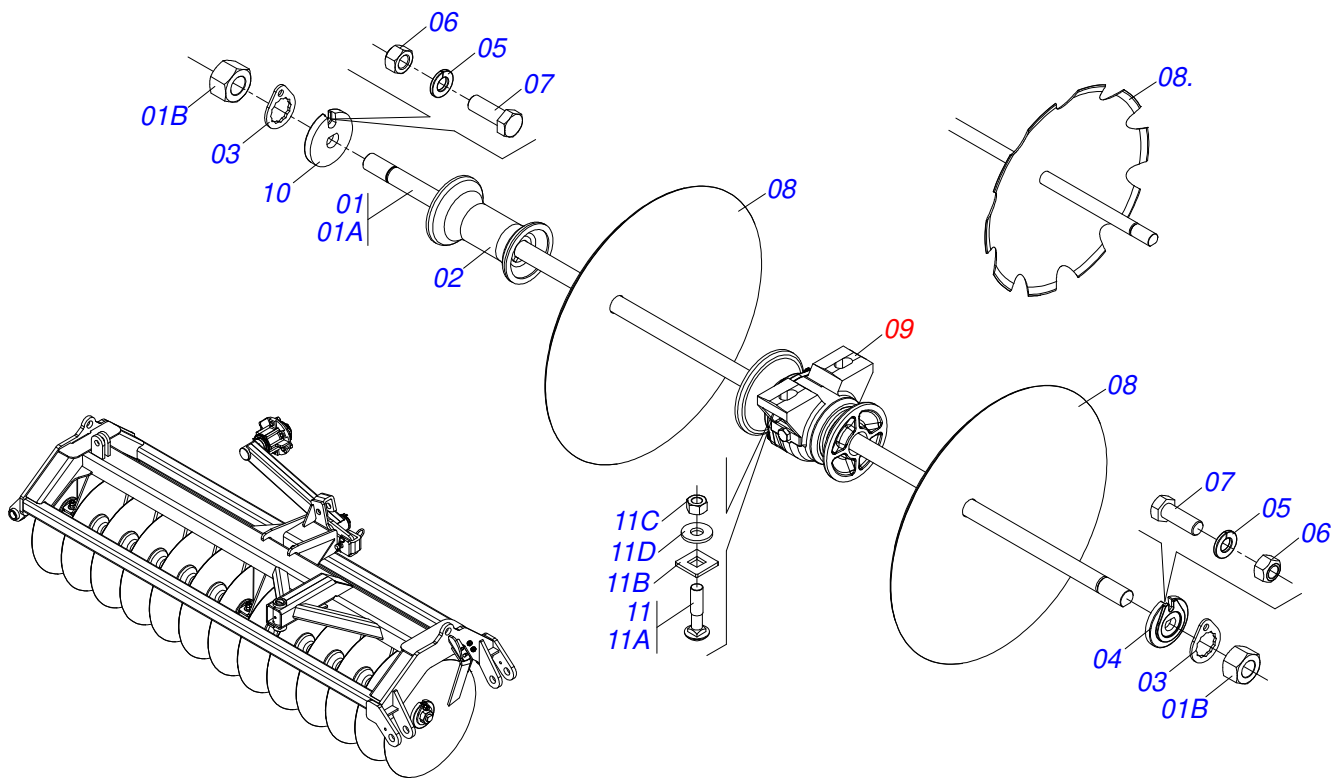
| Item | Code | Description | See page | QT |
|------|------------|-------------------------------------|----------|----|
| 01 | 0511054527 | AXIS 1.1/2" UNC X 2490 WITH NUTS | | 01 |
| 01A | 0531019372 | AXIS 1.1/2 6FPP X 2490 | | 01 |
| 01B | 0501010110 | 1.1/2" NUT | | 02 |
| 02 | 0502010627 | SPACER | | 09 |
| 03 | 0501018592 | 1.5/8" NUT LOCK | | 02 |
| 04 | 0502010871 | 1-1/2" EXTERNAL AXLE WASHER | | 01 |
| 05 | 0503010027 | 5/8" SPRING WASHER | | 02 |
| 06 | 0503010013 | 5/8" NUT | | 02 |
| 07 | 0503011267 | BOLT 5/8 UNC X 1.1/2 C S G.5 ZN | | 02 |
| 08 | 0602029416 | DR22X4,5 C64AF02FR1.9/16 10REC TATU | | 12 |
| 08. | 0602025263 | 18" X 4,5 NOTCHED DISC BLADE | | 01 |
| 09 | 0501047055 | BEARING | 26 | 03 |
| 10 | 0502010872 | 1-1/2" INNER AXLE WASHER | | 01 |
| 11 | 0501058802 | 5/8 UNC X 2.3/4 BOLT ASSY | | 06 |
| 11A | 0503015154 | 5/8" X 2.3/4" BOLT | | 06 |
| 11B | 0501010947 | 5/8 NUT LOCK | | 06 |
| 11C | 0503010013 | 5/8" NUT | | 12 |
| 11D | 0501012140 | FLAT WASHER | | 06 |



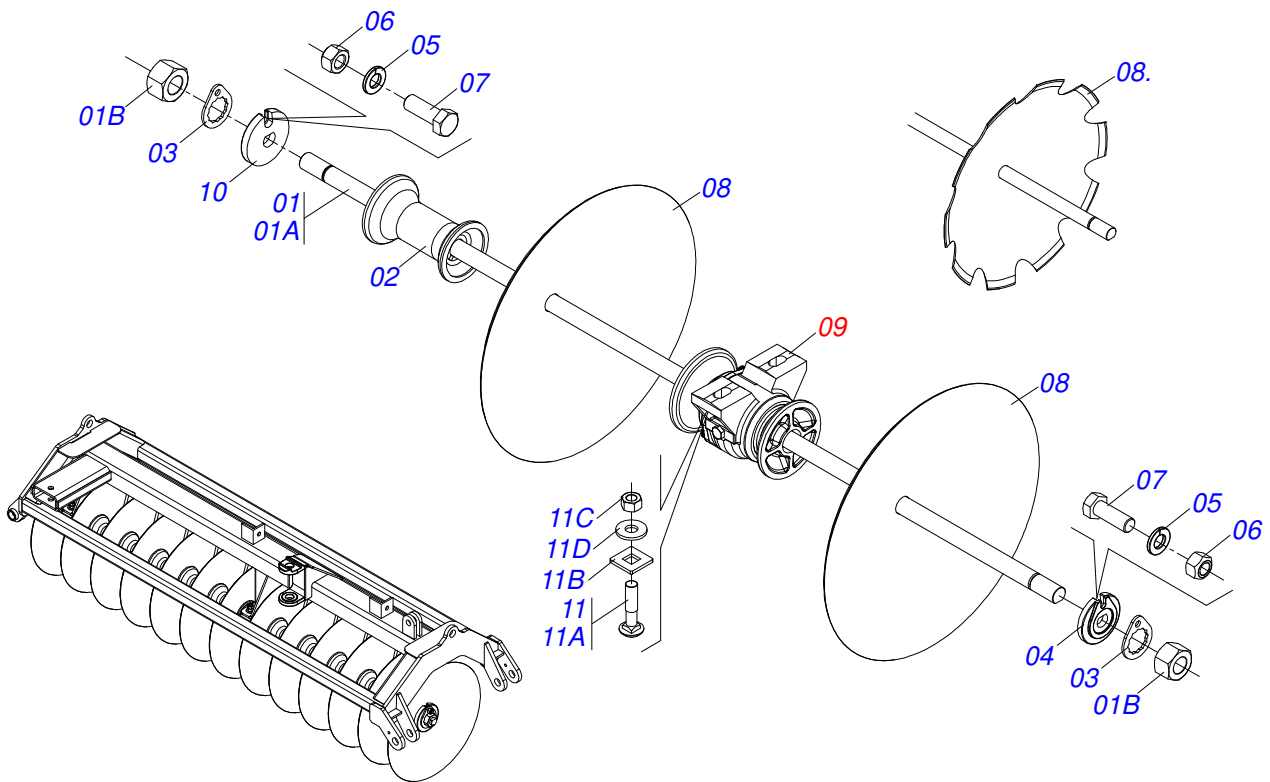
| Item | Code | Description | See page | QT |
|------|------------|-------------------------------------|----------|----|
| 01 | 0511054527 | AXIS 1.1/2" UNC X 2490 WITH NUTS | | 01 |
| 01A | 0531019372 | AXIS 1.1/2 6FPP X 2490 | | 01 |
| 01B | 0501010110 | 1.1/2" NUT | | 02 |
| 02 | 0502010627 | SPACER | | 09 |
| 03 | 0501018592 | 1.5/8" NUT LOCK | | 02 |
| 04 | 0502010871 | 1-1/2" EXTERNAL AXLE WASHER | | 01 |
| 05 | 0503010027 | 5/8" SPRING WASHER | | 02 |
| 06 | 0503010013 | 5/8" NUT | | 02 |
| 07 | 0503011267 | BOLT 5/8 UNC X 1.1/2 C S G.5 ZN | | 02 |
| 08 | 0602029416 | DR22X4,5 C64AF02FR1.9/16 10REC TATU | | 12 |
| 08. | 0602025263 | 18" X 4,5 NOTCHED DISC BLADE | | 01 |
| 09 | 0501047055 | BEARING | 26 | 03 |
| 10 | 0502010872 | 1-1/2" INNER AXLE WASHER | | 01 |
| 11 | 0501058802 | 5/8 UNC X 2.3/4 BOLT ASSY | | 06 |
| 11A | 0503015154 | 5/8" X 2.3/4" BOLT | | 06 |
| 11B | 0501010947 | 5/8 NUT LOCK | | 06 |
| 11C | 0503010013 | 5/8" NUT | | 12 |
| 11D | 0501012140 | FLAT WASHER | | 06 |



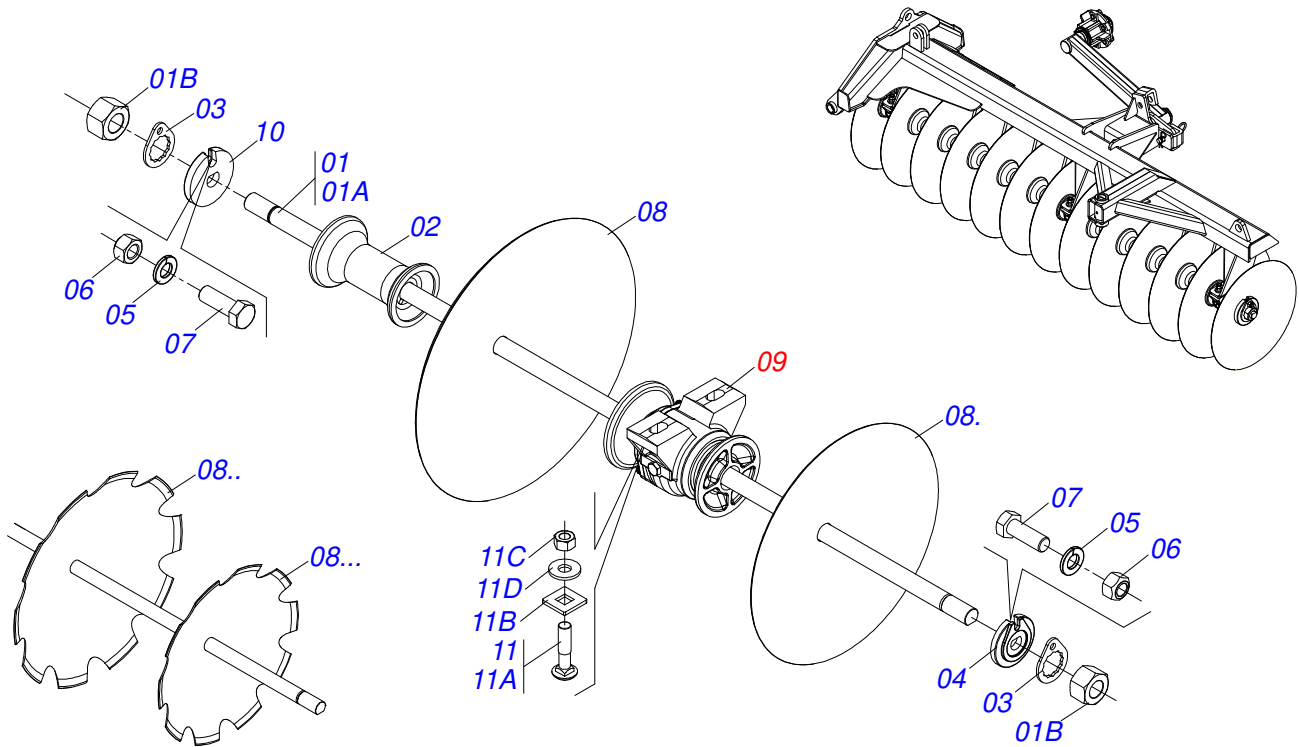
| Item | Code | Description | See page | QT |
|-------|------------|-------------------------------------|----------|----|
| 01 | 0511054527 | AXIS 1.1/2" UNC X 2490 WITH NUTS | | 01 |
| 01A | 0531019372 | AXIS 1.1/2 6FPP X 2490 | | 01 |
| 01B | 0501010110 | 1.1/2" NUT | | 02 |
| 02 | 0502010627 | SPACER | | 09 |
| 03 | 0501018592 | 1.5/8" NUT LOCK | | 02 |
| 04 | 0502010872 | 1-1/2" INNER AXLE WASHER | | 01 |
| 05 | 0503010027 | 5/8" SPRING WASHER | | 02 |
| 06 | 0503010013 | 5/8" NUT | | 02 |
| 07 | 0503011267 | BOLT 5/8 UNC X 1.1/2 C S G.5 ZN | | 02 |
| 08 | 0601029413 | DL22X4,5 C64AF02FR1.9/16 TATU | | 12 |
| 08.. | 0601027299 | DL20X4,5 C57AF02FR1.9/16 TATU | | 01 |
| 08.. | 0602029416 | DR22X4,5 C64AF02FR1.9/16 10REC TATU | | 12 |
| 08... | 0602027343 | DR20X4,5 C57AF02FR1.9/16 10R TATU | | 01 |
| 09 | 0501047055 | BEARING | 26 | 03 |
| 10 | 0502010871 | 1-1/2" EXTERNAL AXLE WASHER | | 01 |
| 11 | 0501058802 | 5/8 UNC X 2.3/4 BOLT ASSY | | 06 |
| 11A | 0503015154 | 5/8" X 2.3/4" BOLT | | 06 |
| 11B | 0501010947 | 5/8 NUT LOCK | | 06 |
| 11C | 0503010013 | 5/8" NUT | | 12 |
| 11D | 0501012140 | FLAT WASHER | | 06 |



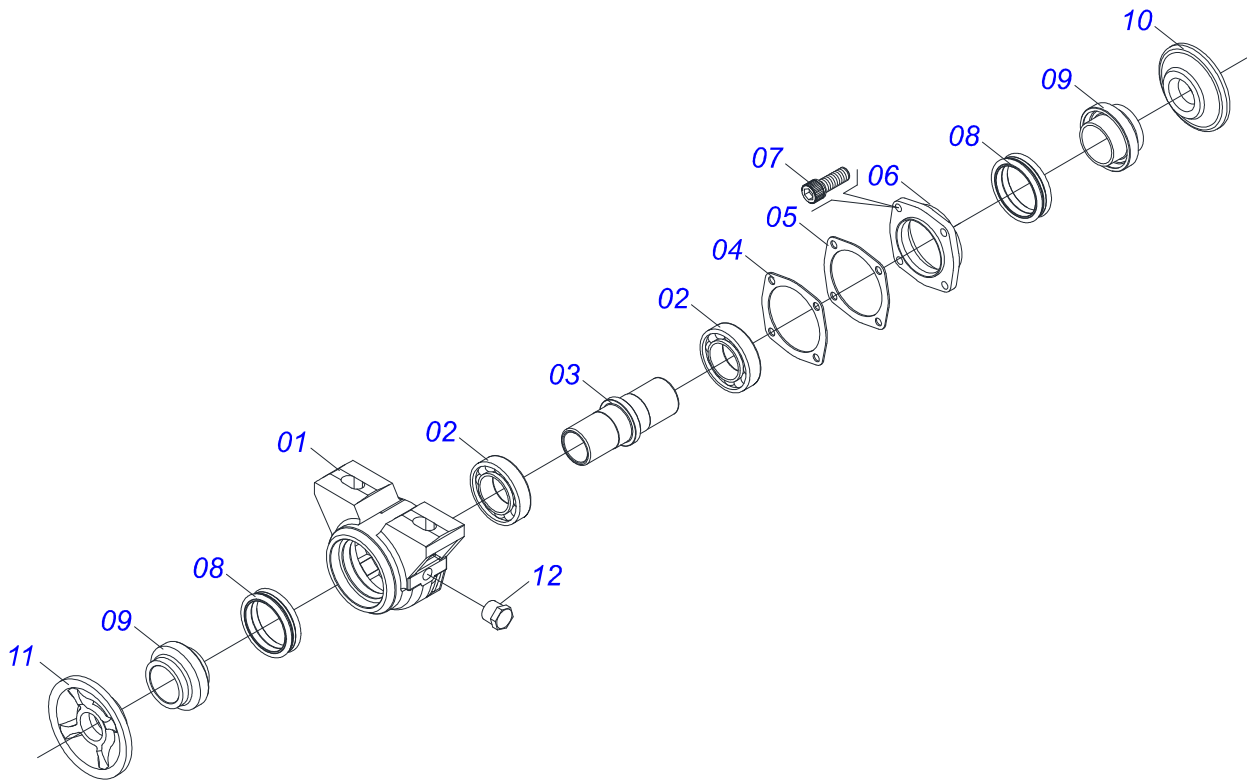
| Item | Code | Description | See page | QT |
|------|------------|-------------------------------------|----------|----|
| 01 | 0511054527 | AXIS 1.1/2" UNC X 2490 WITH NUTS | | 01 |
| 01A | 0531019372 | AXIS 1.1/2 6FPP X 2490 | | 01 |
| 01B | 0501010110 | 1.1/2" NUT | | 02 |
| 02 | 0502010627 | SPACER | | 09 |
| 03 | 0501018592 | 1.5/8" NUT LOCK | | 02 |
| 04 | 0502010872 | 1-1/2" INNER AXLE WASHER | | 01 |
| 05 | 0503010027 | 5/8" SPRING WASHER | | 02 |
| 06 | 0503010013 | 5/8" NUT | | 02 |
| 07 | 0503011267 | BOLT 5/8 UNC X 1.1/2 C S G.5 ZN | | 02 |
| 08 | 0601029413 | DL22X4,5 C64AF02FR1.9/16 TATU | | 13 |
| 08. | 0602029416 | DR22X4,5 C64AF02FR1.9/16 10REC TATU | | 13 |
| 09 | 0501047055 | BEARING | 26 | 03 |
| 10 | 0502010871 | 1-1/2" EXTERNAL AXLE WASHER | | 01 |
| 11 | 0501058802 | 5/8 UNC X 2.3/4 BOLT ASSY | | 06 |
| 11A | 0503015154 | 5/8" X 2.3/4" BOLT | | 06 |
| 11B | 0501010947 | 5/8 NUT LOCK | | 06 |
| 11C | 0503010013 | 5/8" NUT | | 12 |
| 11D | 0501012140 | FLAT WASHER | | 06 |



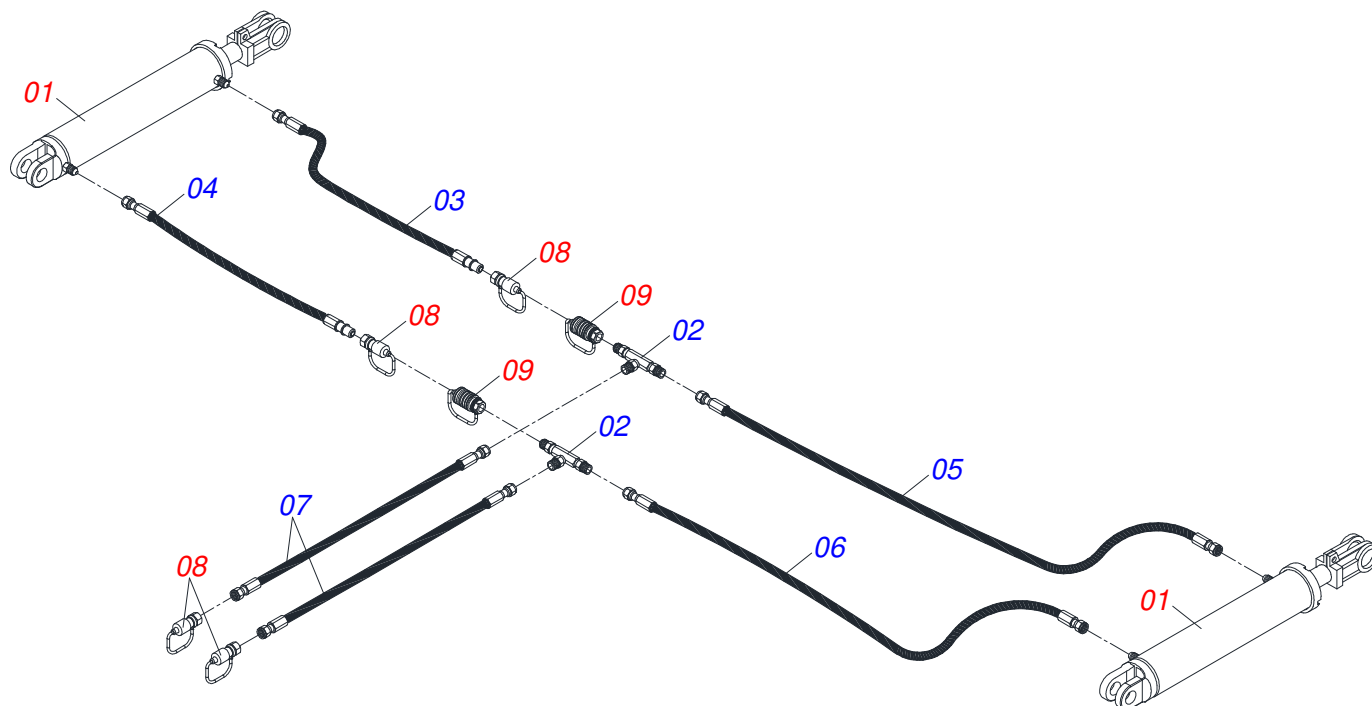
| Item | Code | Description | See page | QT |
|------|------------|-------------------------------------|----------|----|
| 01 | 0511054527 | AXIS 1.1/2" UNC X 2490 WITH NUTS | | 01 |
| 01A | 0531019372 | AXIS 1.1/2 6FPP X 2490 | | 01 |
| 01B | 0501010110 | 1.1/2" NUT | | 02 |
| 02 | 0502010627 | SPACER | | 09 |
| 03 | 0501018592 | 1.5/8" NUT LOCK | | 02 |
| 04 | 0502010872 | 1-1/2" INNER AXLE WASHER | | 01 |
| 05 | 0503010027 | 5/8" SPRING WASHER | | 02 |
| 06 | 0503010013 | 5/8" NUT | | 02 |
| 07 | 0503011267 | BOLT 5/8 UNC X 1.1/2 C S G.5 ZN | | 02 |
| 08 | 0601029413 | DL22X4,5 C64AF02FR1.9/16 TATU | | 13 |
| 08. | 0602029416 | DR22X4,5 C64AF02FR1.9/16 10REC TATU | | 13 |
| 09 | 0501047055 | BEARING | 26 | 03 |
| 10 | 0502010871 | 1-1/2" EXTERNAL AXLE WASHER | | 01 |
| 11 | 0501058802 | 5/8 UNC X 2.3/4 BOLT ASSY | | 06 |
| 11A | 0503015154 | 5/8" X 2.3/4" BOLT | | 06 |
| 11B | 0501010947 | 5/8 NUT LOCK | | 06 |
| 11C | 0503010013 | 5/8" NUT | | 12 |
| 11D | 0501012140 | FLAT WASHER | | 06 |



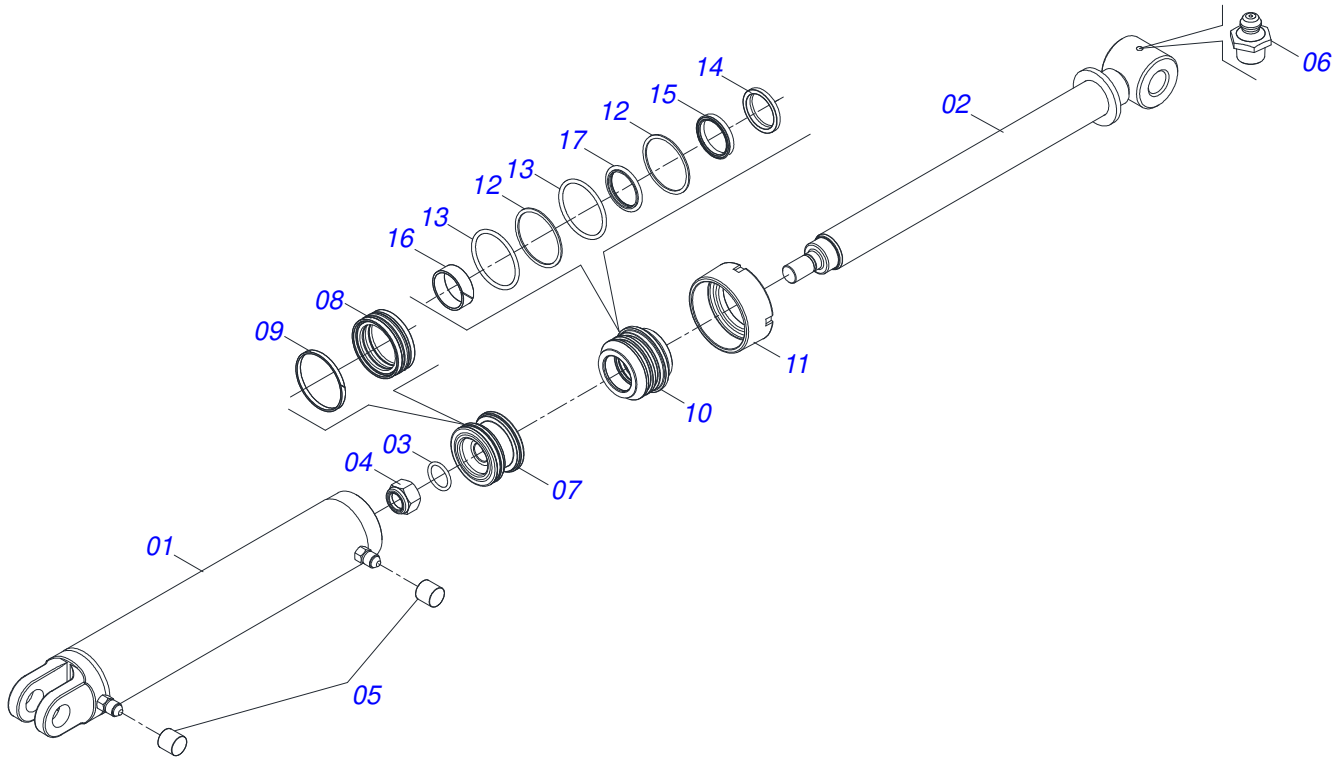
| Item | Code | Description | See page | QT |
|-------|------------|-------------------------------------|----------|----|
| 01 | 0511054527 | AXIS 1.1/2" UNC X 2490 WITH NUTS | | 01 |
| 01A | 0531019372 | AXIS 1.1/2 6FPP X 2490 | | 01 |
| 01B | 0501010110 | 1.1/2" NUT | | 02 |
| 02 | 0502010627 | SPACER | | 09 |
| 03 | 0501018592 | 1.5/8" NUT LOCK | | 02 |
| 04 | 0502010872 | 1-1/2" INNER AXLE WASHER | | 01 |
| 05 | 0503010027 | 5/8" SPRING WASHER | | 02 |
| 06 | 0503010013 | 5/8" NUT | | 02 |
| 07 | 0503011267 | BOLT 5/8 UNC X 1.1/2 C S G.5 ZN | | 02 |
| 08 | 0601029413 | DL22X4,5 C64AF02FR1.9/16 TATU | | 12 |
| 08. | 0601027299 | DL20X4,5 C57AF02FR1.9/16 TATU | | 01 |
| 08.. | 0602029416 | DR22X4,5 C64AF02FR1.9/16 10REC TATU | | 12 |
| 08... | 0602027343 | DR20X4,5 C57AF02FR1.9/16 10R TATU | | 01 |
| 09 | 0501047055 | BEARING | 26 | 03 |
| 10 | 0502010871 | 1-1/2" EXTERNAL AXLE WASHER | | 01 |
| 11 | 0501058802 | 5/8 UNC X 2.3/4 BOLT ASSY | | 06 |
| 11A | 0503015154 | 5/8" X 2.3/4" BOLT | | 06 |
| 11B | 0501010947 | 5/8 NUT LOCK | | 06 |
| 11C | 0503010013 | 5/8" NUT | | 12 |
| 11D | 0501012140 | FLAT WASHER | | 06 |



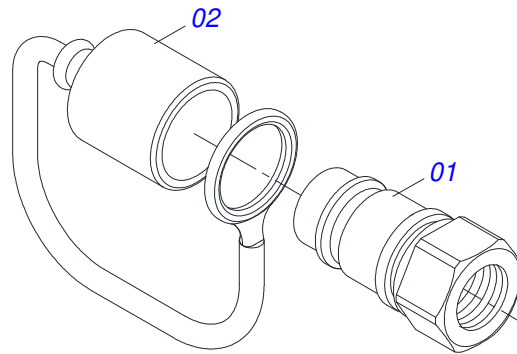
| Item | Code | Description | See page | QT |
|------|------------|----------------------------|----------|----|
| 01 | 0502010540 | HOUSING DM | | 01 |
| 02 | 0503010006 | 32210 ROLLER BEARING | | 02 |
| 03 | 0502040061 | AXLE | | 01 |
| 04 | 0503030013 | 4.4" X 3.5" X 0.004" JOINT | | 03 |
| 05 | 0503030684 | 4.4" X 3.5" X 0.004" JOINT | | 02 |
| 06 | 0502020424 | HOUSING CAP | | 01 |
| 07 | 0503010134 | 3/8" X 1" BOLT | | 04 |
| 08 | 0503030026 | SEAL LP JB-253 | | 02 |
| 09 | 0502010541 | SEAL RETAINER | | 02 |
| 10 | 0502010604 | OUTER FLANGE | | 01 |
| 11 | 0502010605 | INNER FLANGE | | 01 |
| 12 | 0503010856 | OIL PLUG | | 02 |



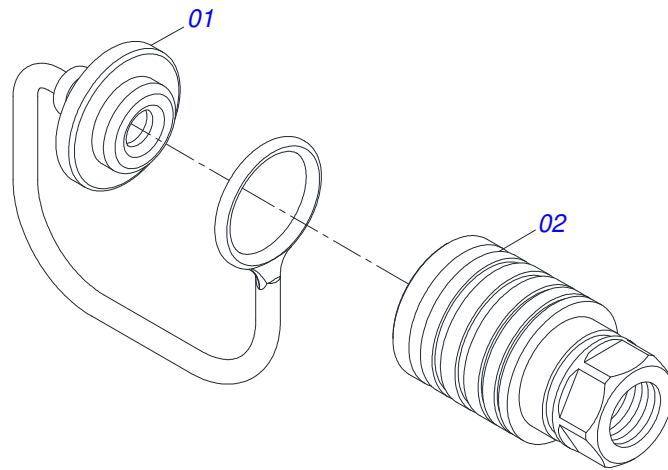
| Item | Code | Description | See page | QT |
|------|------------|-----------------------|----------|----|
| 01 | 0511058461 | HYDRAULIC CYLINDER | 28 | 02 |
| 02 | 0511062886 | CONNECTION T | | 02 |
| 03 | 0501080719 | HOSE 3/8 X 5300 TR-TM | | 01 |
| 04 | 0501081363 | 3/8 X 4900 TR-TM HOSE | | 01 |
| 05 | 0501080341 | 3/8 X 5400 TR-TR HOSE | | 01 |
| 06 | 0501080835 | 3/8 X 4700 TR-TR HOSE | | 01 |
| 07 | 0501080509 | TR-TM HOSE ASSY | | 02 |
| 08 | 0501053834 | MALE QUICK COUPLER | 29 | 04 |
| 09 | 0501053835 | FEMALE QUICK COUPLER | 30 | 02 |



| Item | Code | Description | See page | QT |
|------|------------|-----------------------------|----------|----|
| 01 | 0521063982 | CYLINDER CASE | | 01 |
| 02 | 0521067533 | 50,80 X 697 EXTENSOR | | 01 |
| 03 | 0503010042 | 2-214 N 3006-9B O'RING | | 01 |
| 04 | 0503010063 | 1" SELF-ALIGNING NUT | | 01 |
| 05 | 0503030385 | CYLINDER PLUG N-002 | | 02 |
| 06 | 0503010002 | 1800 GREASE FITTING | | 01 |
| 07 | 0571019710 | 1.7" X 3.4" PISTON | | 01 |
| 08 | 0503017935 | RING | | 01 |
| 09 | 0503018144 | RING | | 01 |
| 10 | 0581013228 | 50,80 X 85,72 SUPPORT RINGS | | 01 |
| 11 | 0581013227 | 85,72 MOVEL COVER | | 01 |
| 12 | 0503017940 | 8-337 BACK-UP RING | | 02 |
| 13 | 0503017939 | 2-337 N 3006-9B O' RING | | 02 |
| 14 | 0503010039 | D-2000 SCRAPER RING | | 01 |
| 15 | 0503018026 | 1870-2000-375 B GASKET | | 01 |
| 16 | 0503018025 | RING GUIDE | | 01 |
| 17 | 0503018024 | RING BS | | 01 |



| Item | Code | Description | See page | QT |
|------|------------|--------------------------------|----------|----|
| 01 | 0503011627 | MALE QUICK COUPLER AGR 1/2 NPT | | 01 |
| 02 | 0503011882 | MALE QUICK COUPLER CAP | | 01 |



| Item | Code | Description | See page | QT |
|------|------------|------------------------|----------|----|
| 01 | 0503011883 | QUICK CONNECTION COVER | | 01 |
| 02 | 0503011628 | FEMALE QUICK COUPLER | | 01 |



civemasa

Technical Publications | Elaboration and Revision
ALESSANDRA PATRICIA KAWAHARA CARRILI

www.civemasa.com.br

