

SUBSOILER PLOUGH

STAC L 450 HP 3P - 03/05/07/09/11H

Code: 0501091995
Series: S-0217
Revision: 00
Revision Date: AGOSTO/2017

PARTS CATALOGUE

CIVEMASA

PRODUCTS

Code	Description	
0120370312	STAC L 450 HP 3P 11H	S-0217
0120370311	STAC L 450 HP 3P 11H DC	S-0217
0120370310	STAC L 450 HP 3P 11H DC RD	S-0217
0120370313	STAC L 450 HP 3P 11H RD	S-0217
0120370280	STAC L 450 HP 3P 3H	S-0217
0120370279	STAC L 450 HP 3P 3H DC	S-0217
0120370278	STAC L 450 HP 3P 3H DC RD	S-0217
0120370281	STAC L 450 HP 3P 3H RD	S-0217
0120370288	STAC L 450 HP 3P 5H	S-0217
0120370287	STAC L 450 HP 3P 5H DC	S-0217
0120370286	STAC L 450 HP 3P 5H DC RD	S-0217
0120370289	STAC L 450 HP 3P 5H RD	S-0217
0120370296	STAC L 450 HP 3P 7H	S-0217
0120370295	STAC L 450 HP 3P 7H DC	S-0217
0120370294	STAC L 450 HP 3P 7H DC RD	S-0217
0120370297	STAC L 450 HP 3P 7H RD	S-0217
0120370304	STAC L 450 HP 3P 9H	S-0217
0120370303	STAC L 450 HP 3P 9H DC	S-0217
0120370302	STAC L 450 HP 3P 9H DC RD	S-0217
0120370305	STAC L 450 HP 3P 9H RD	S-0217

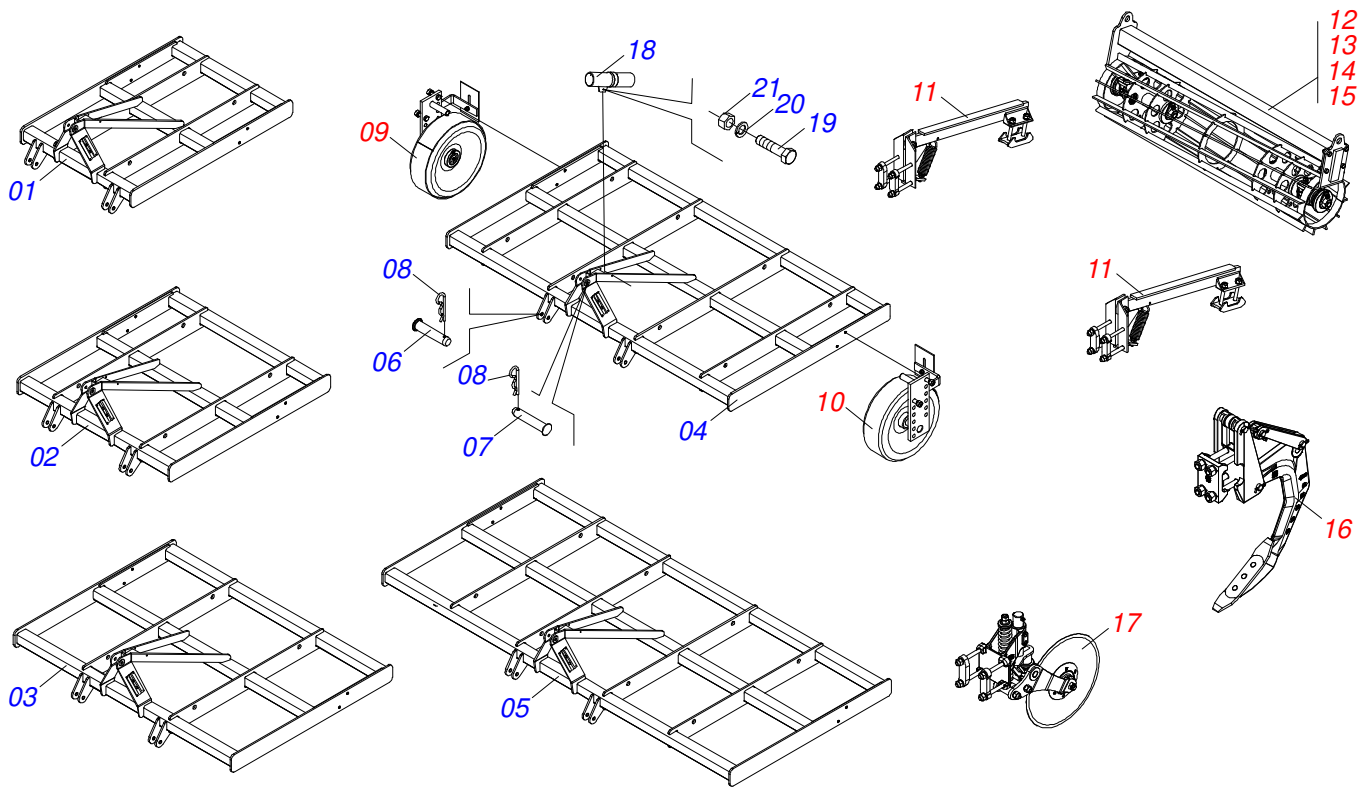
ATTENTION: IMPORTANT

CIVEMASA reserves the right to improve and/or modify the technical features of its products, without obligation to do the same with those products already sold and without prior knowledge of the dealer or the consumer. The photos are only illustrative.

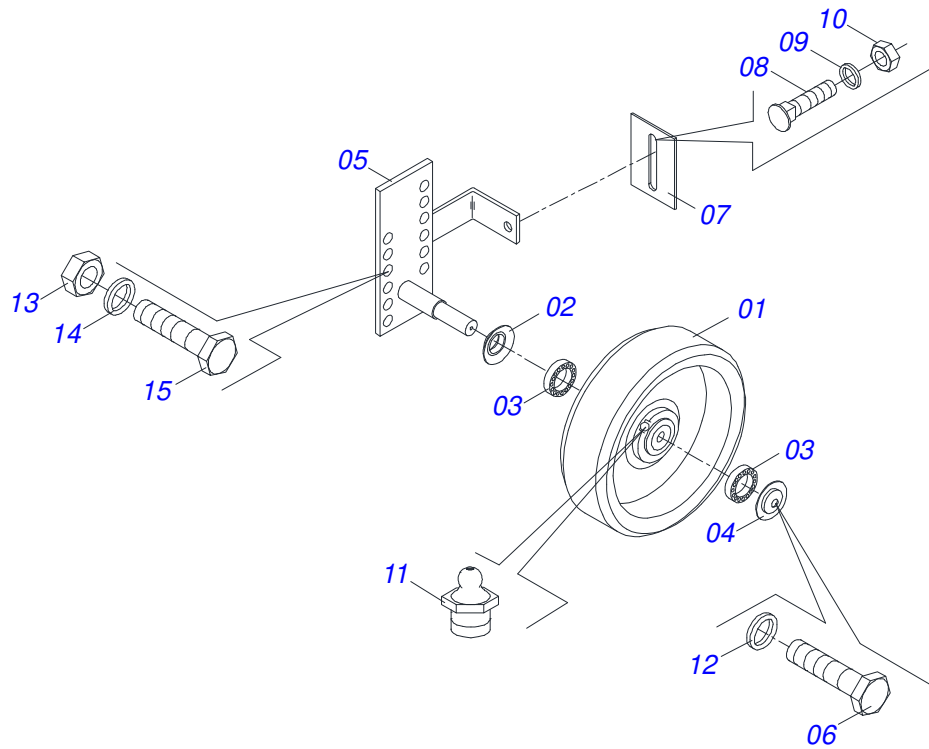
INDEX

0909093474	ASSY FRAME	1
0501047840	RIGTH DEPTH CONTROL ASSY	2
0501047841	LEFT DEPTH CONTROL ASSY	3
0521047197	ARM CAGE ROLLER ASSEMBLY	4
0521047200	CAGE ROLLER ASSEMBLY	5
0521047198	CAGE ROLLER ASSEMBLY	6
0521047225	CAGE ROLLER ASSEMBLY	7
0521047199	CAGE ROLLER ASSEMBLY	8
0501046922	AGRICULTURAL BEARING DM OL 192.5 X 1.1/4 IMPLEMENT	9
0501046935	SHANKS SYSTEM ASSY	10
0521047261	DISC BLADE ASSY	11
0521050461	DISC BLADE ASSY	12
0511058648	BOX WITH DISC BLADE 20	13
0511056909	DISC BOX CUT WITHOUT DISC	14

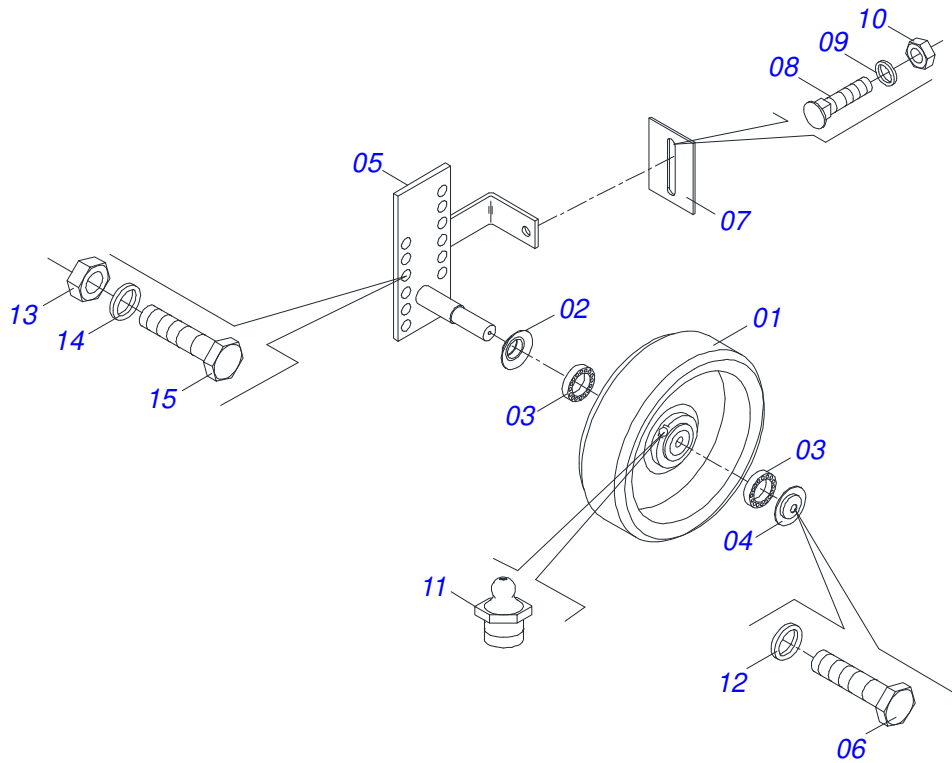
ASSY FRAME



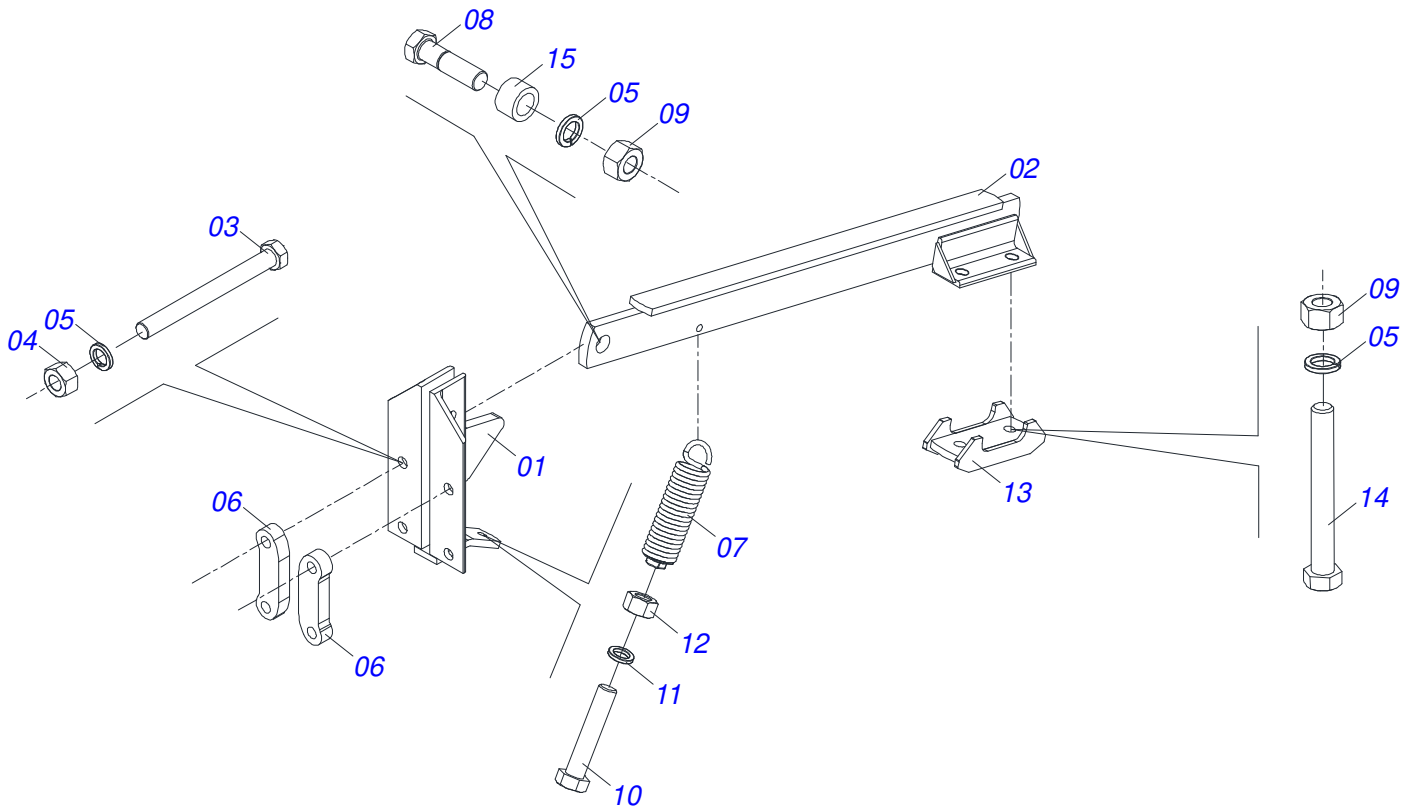
Item	Code	Description	See page	03	05	07	09	11
01	0521067734	FRAME 03P 03A11 H		01	00	00	00	00
02	0521067735	FRAME 05/07/09/11 H		00	01	00	00	00
03	0521067736	FRAME 07		00	00	01	00	00
04	0521067737	FRAME 09-15H		00	00	00	01	00
05	0521067738	FRAME 11		00	00	00	00	01
06	0521010596	COUPLING SHAFT		02	02	02	02	02
07	0521010582	COUPLING SHAFT		01	01	01	01	01
08	0503031035	HITCH PIN CLIP		03	03	03	03	03
09	0501047840	RIGH TH DEPTH CONTROL ASSY	2	01	01	01	01	01
10	0501047841	LEFT DEPTH CONTROL ASSY	3	01	01	01	01	01
11	0521047197	ARM CAGE ROLLER ASSEMBLY	4	02	02	04	04	04
12	0521047200	CAGE ROLLER ASSEMBLY	5	01	00	00	01	00
13	0521047198	CAGE ROLLER ASSEMBLY	6	00	01	00	01	01
14	0521047225	CAGE ROLLER ASSEMBLY	7	00	00	02	00	00
15	0521047199	CAGE ROLLER ASSEMBLY	8	00	00	00	01	00
16	0501046935	SHANKS SYSTEM ASSY	10	03	05	07	09	11
17	0521047261	DISC BLADE ASSY	11	03	05	07	09	11
18	0503060100	OPERATOR'S MANUAL STORAGE TUBE		01	01	01	01	01
19	0503010365	NUT		01	01	01	01	01
20	0503010179	LOCK WASHER		01	01	01	01	01
21	0503010337	5/16" NUT		01	01	01	01	01



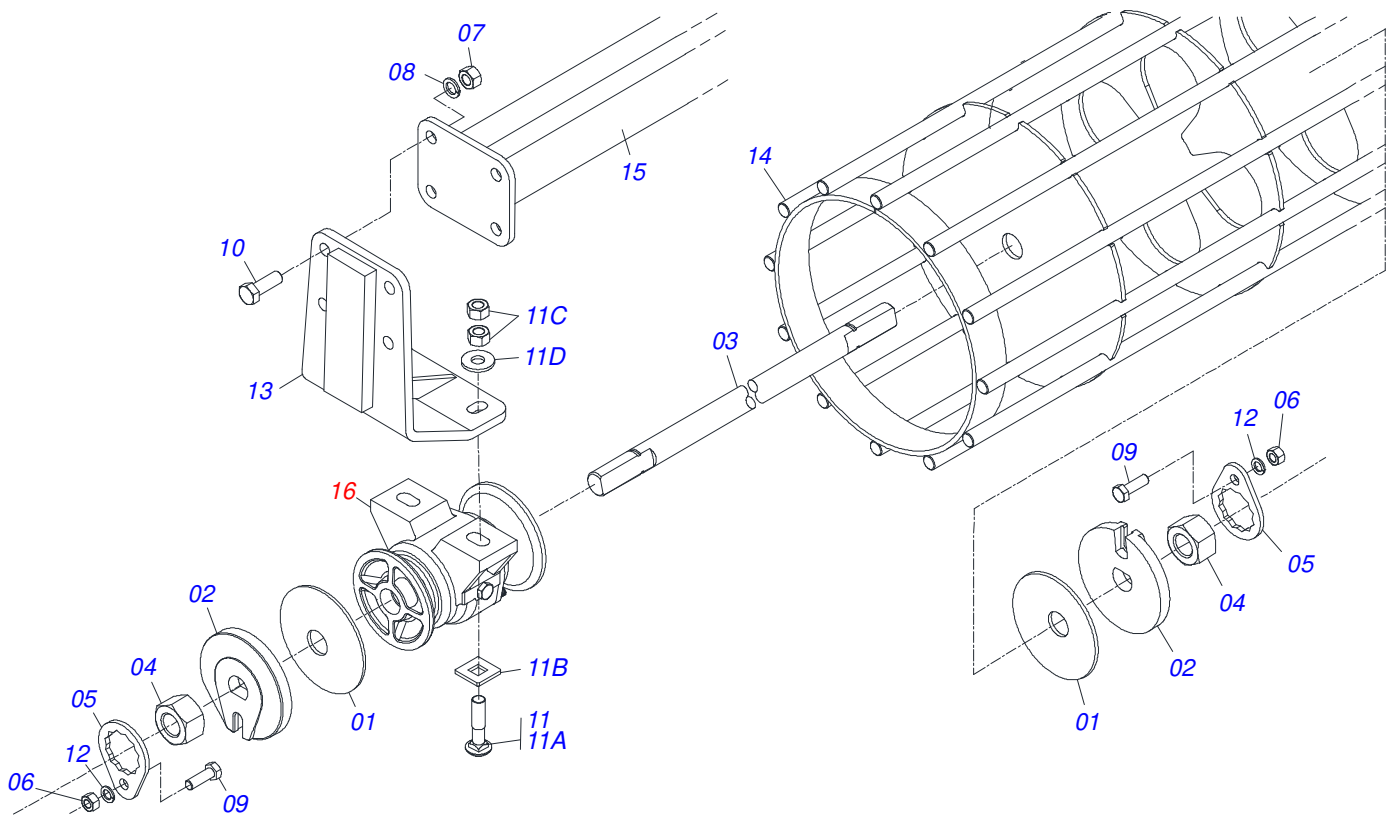
Item	Code	Description	See page	QT
001	0501063799	WHEEL		01
002	0501017454	2.8" X 1.4" X 0.75" DUST CLOAK		01
003	0503010816	6207 RS ROLLER BEARING		02
004	0501017455	2.8" X 0.4" X 0.75" DUST CLOAK		01
005	0501063800	RIGHT WHEEL SUPPORT		01
006	0503010256	3/8" X 3/4" BOLT		01
007	0501013138	SCRAPER		01
008	0501010243	1/2" X 1-1/2" BOLT		01
009	0503011440	SPRING WASHER		01
010	0503012682	1/2" BSW NUT		01
011	0503010691	1/4" GREASE FITTING		01
012	0503011443	3/8" SPRING WASHER		01
013	0503010014	3/4" NUT		02
014	0503010023	3/4" SPRING WASHER		02
015	0501010500	3/4"X3"BOLT		02



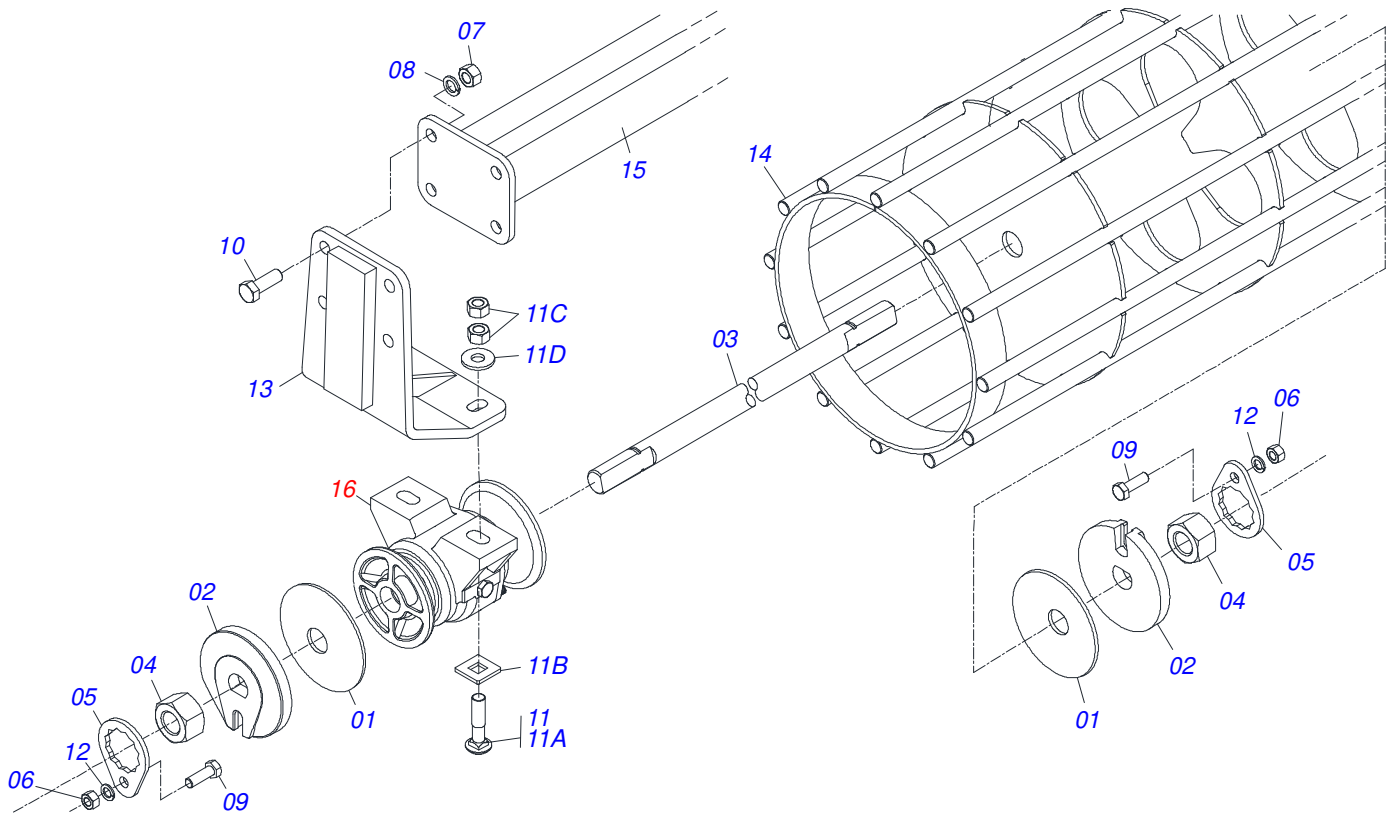
Item	Code	Description	See page	QT
001	0501063799	WHEEL		01
002	0501017454	2.8" X 1.4" X 0.75" DUST CLOAK		01
003	0503010816	6207 RS ROLLER BEARING		02
004	0501017455	2.8" X 0.4" X 0.75" DUST CLOAK		01
005	0501063801	LEFT WHEEL SUPPORT		01
006	0503010256	3/8" X 3/4" BOLT		01
007	0501013138	SCRAPER		01
008	0501010243	1/2" X 1-1/2" BOLT		01
009	0503011440	SPRING WASHER		01
010	0503012682	1/2" BSW NUT		01
011	0503010691	1/4" GREASE FITTING		01
012	0503010023	3/4" SPRING WASHER		02
013	0503010014	3/4" NUT		02
014	0503011443	3/8" SPRING WASHER		01
015	0501010500	3/4"X3"BOLT		02



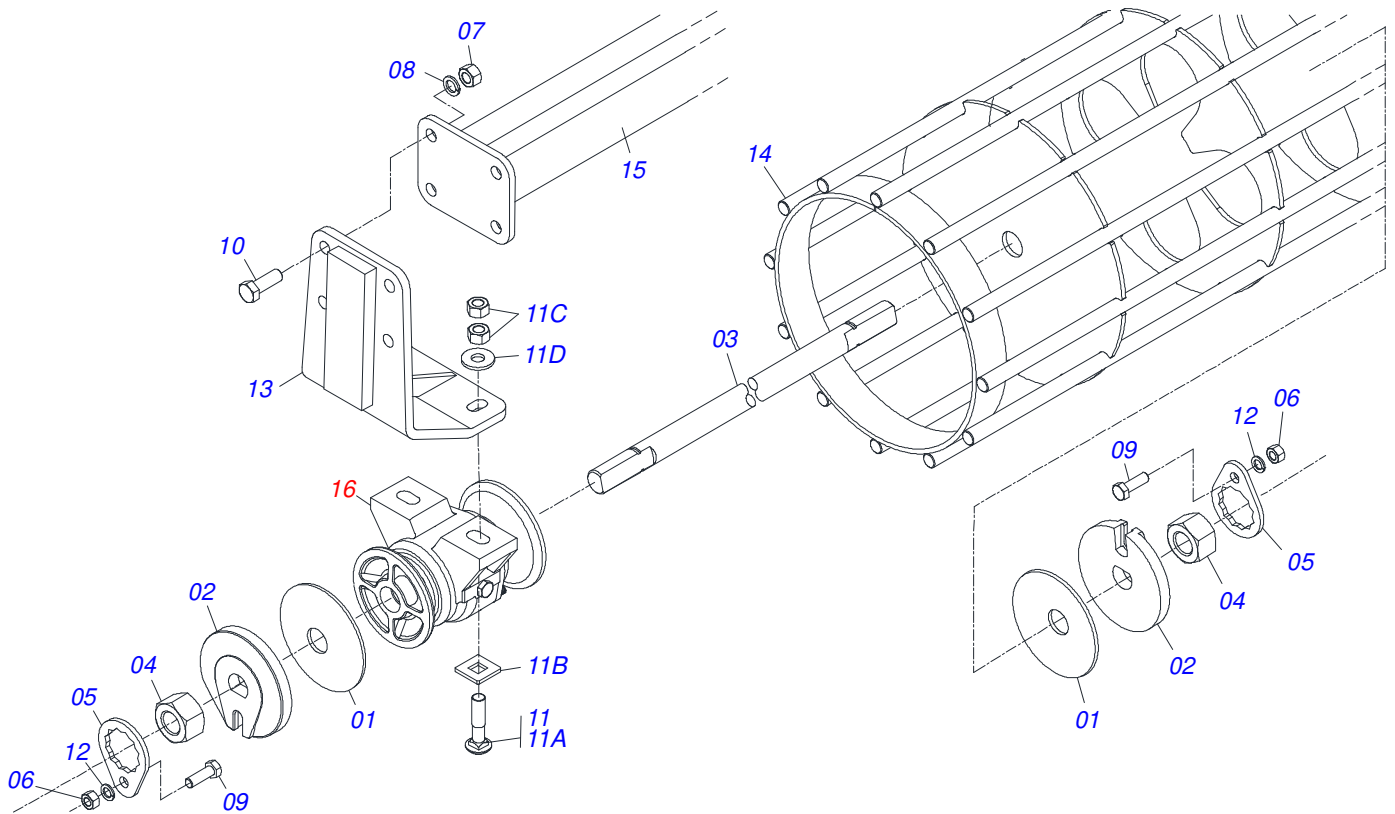
Item	Code	Description	See page	QT
001	0501068437	BREAK ROLLER SUPPORT FIXATION		01
002	0521067724	BRACO ROLO DESTORROADOR		01
003	0503014744	3/4 UNF X 7.1/2 C S G.7 ZN BOLT		04
004	0503010335	3/4\"NUT		04
005	0503010023	3/4\" SPRING WASHER		07
006	0571011609	FIXER PLATE CUTTING DISC		02
007	0501053355	HITCH TRACTION SPRING		01
008	0501010827	3/4\" X 2-3/4\" BOLT		01
009	0503010014	3/4\" NUT		03
010	0503011264	1/2\" X 2-1/2\" BOLT		01
011	0511017302	FLAT WASHER		01
012	0503010060	1/2\" NUT		01
013	0521067723	FIXER		01
014	0503011198	C3/4\" X 6\" SCREW		02
015	0511018178	BUSHING		01



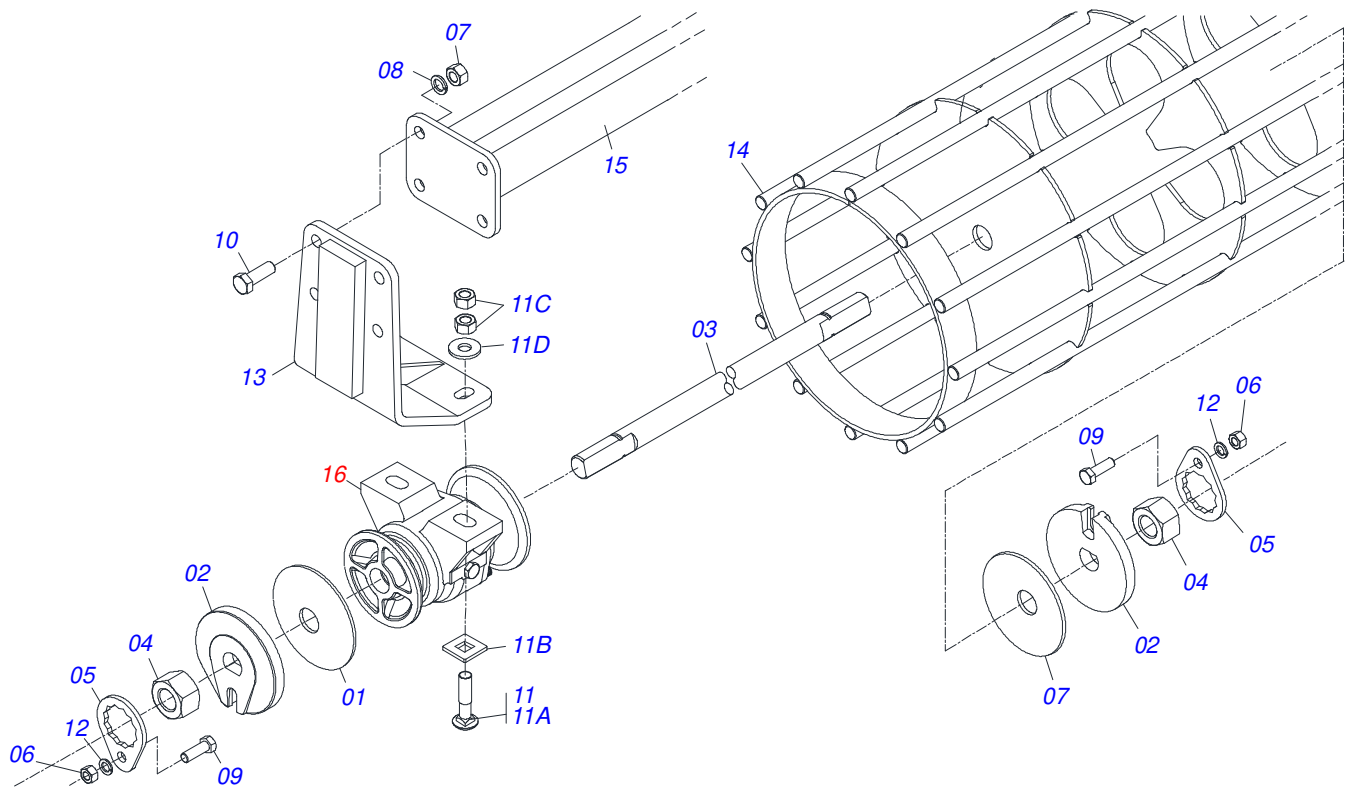
Item	Code	Description	See page	QT
001	0531018575	WASHER CONCAVE		02
002	1902010835	1-1/4" EXTERNAL AXLE WASHER		04
003	0501010752	1.1/4" X 500 AXLE		02
004	0501010087	1.1/4" NUT		04
005	0501010455	1.1/4" NUT LOCK		04
006	0503010060	1/2" NUT		04
007	0503010013	5/8" NUT		04
008	0503011445	SPRING WASHER		04
009	0501010161	1/2" X 1.1/4" BOLT		04
010	0503010232	5/8" X 1.3/4" BOLT		04
011	0501058802	5/8 UNC X 2.3/4 BOLT ASSY		04
011A	0503015154	5/8" X 2.3/4" BOLT		01
011B	0501010947	5/8 NUT LOCK		01
011C	0503010013	5/8" NUT		02
011D	0501012140	FLAT WASHER		01
012	0503011440	SPRING WASHER		04
013	0521062673	BRACKET MOBILE FIXER ROLLER		01
014	0521065547	ARM ROLLE ASSY		01
015	0521065550	BREAK ROLLER SUPPORT		01
016	0501046922	AGRICULTURAL BEARING DM OL 192.5 X 1.1/4 9 IMPLEMENT		02



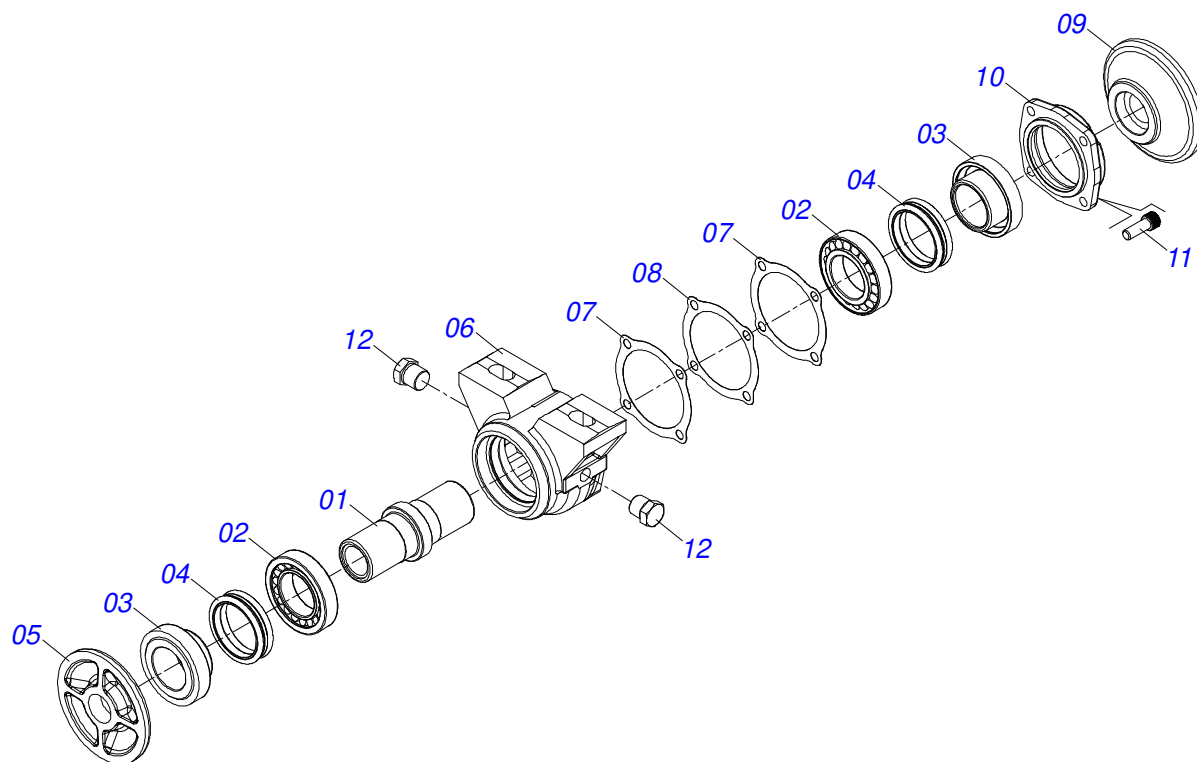
Item	Code	Description	See page	QT
001	0531018575	WASHER CONCAVE		02
002	1902010835	1-1/4" EXTERNAL AXLE WASHER		04
003	0501010752	1.1/4" X 500 AXLE		02
004	0501010087	1.1/4" NUT		04
005	0501010455	1.1/4" NUT LOCK		04
006	0503010060	1/2" NUT		04
007	0503010013	5/8" NUT		04
008	0503011445	SPRING WASHER		04
009	0501010161	1/2" X 1.1/4" BOLT		04
010	0503010232	5/8" X 1.3/4" BOLT		04
011	0501058802	5/8 UNC X 2.3/4 BOLT ASSY		04
011A	0503015154	5/8" X 2.3/4" BOLT		01
011B	0501010947	5/8 NUT LOCK		01
011C	0503010013	5/8" NUT		02
011D	0501012140	FLAT WASHER		01
012	0503011440	SPRING WASHER		04
013	0521062673	BRACKET MOBILE FIXER ROLLER		01
014	0521065479	DESTROYER ROLLER 2290		01
015	0521065480	BREAK ROLLER SUPPORT		01
016	0501046922	AGRICULTURAL BEARING DM OL 192.5 X 1.1/4 9 IMPLEMENT		02



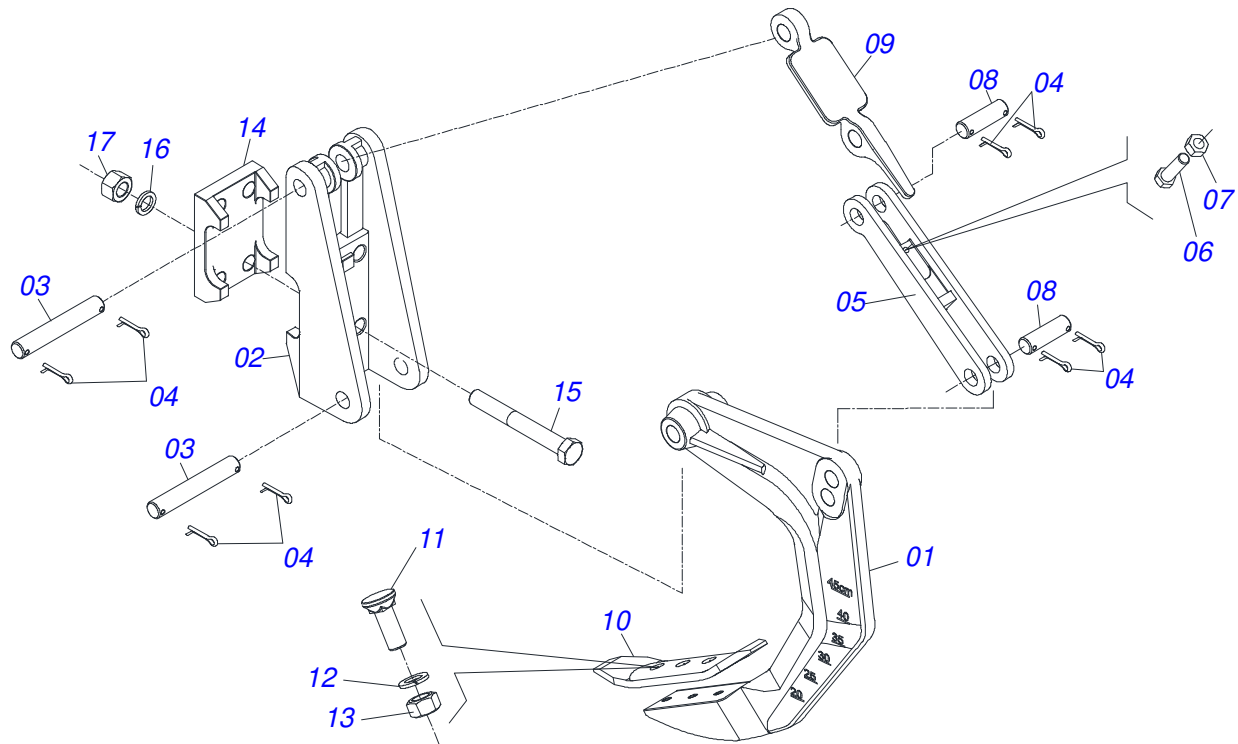
Item	Code	Description	See page	QT
001	0531018575	WASHER CONCAVE		02
002	1902010835	1-1/4" EXTERNAL AXLE WASHER		04
003	0501010752	1.1/4" X 500 AXLE		02
004	0501010087	1.1/4" NUT		04
005	0501010455	1.1/4" NUT LOCK		04
006	0503010060	1/2" NUT		04
007	0503010013	5/8" NUT		04
008	0503011445	SPRING WASHER		04
009	0501010161	1/2" X 1.1/4" BOLT		04
010	0503010232	5/8" X 1.3/4" BOLT		04
011	0501058802	5/8 UNC X 2.3/4 BOLT ASSY		04
011A	0503015154	5/8" X 2.3/4" BOLT		01
011B	0501010947	5/8 NUT LOCK		01
011C	0503010013	5/8" NUT		02
011D	0501012140	FLAT WASHER		01
012	0503011440	SPRING WASHER		04
013	0521062673	BRACKET MOBILE FIXER ROLLER		01
014	0521065546	ROLLER		01
015	0521065549	SUPPORT		01
016	0501046922	AGRICULTURAL BEARING DM OL 192.5 X 1.1/4 9 IMPLEMENT		02



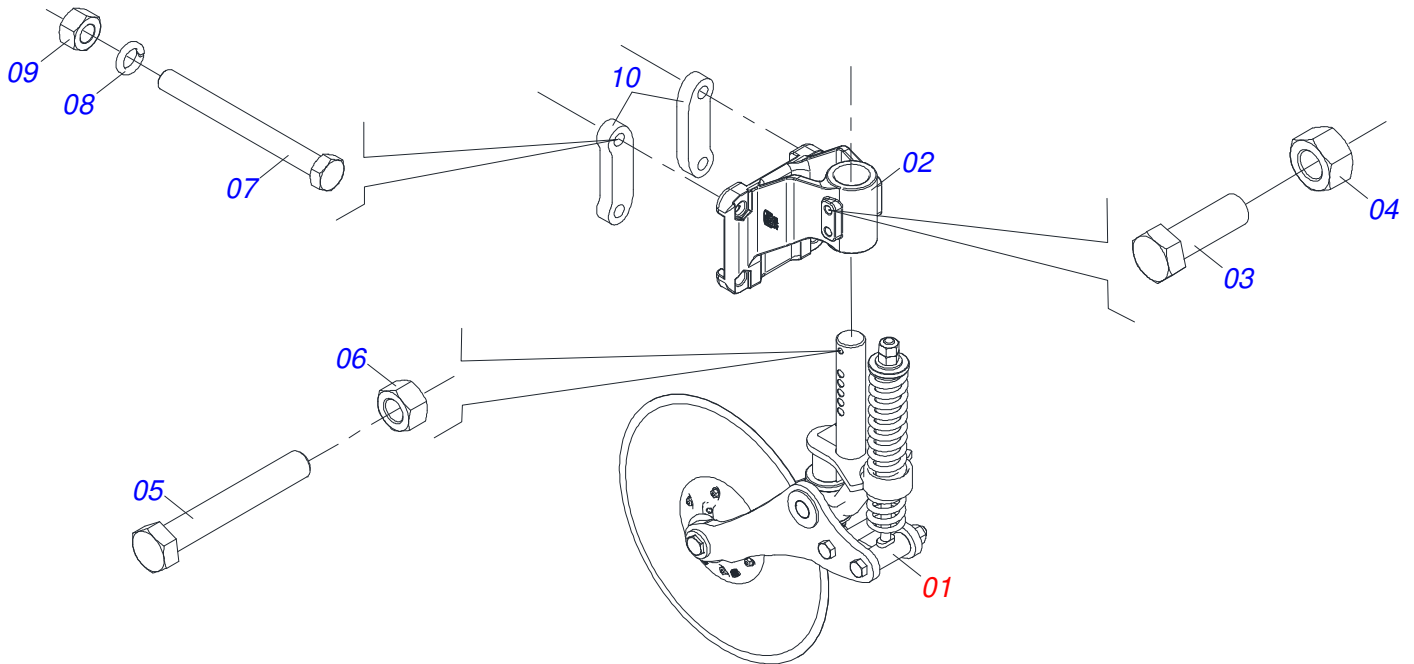
Item	Code	Description	See page	QT
001	0531018575	WASHER CONCAVE		02
002	1902010835	1-1/4" EXTERNAL AXLE WASHER		04
003	0501010752	1.1/4" X 500 AXLE		02
004	0501010087	1.1/4" NUT		04
005	0501010455	1.1/4" NUT LOCK		04
006	0503010060	1/2" NUT		04
007	0503010013	5/8" NUT		04
008	0503011445	SPRING WASHER		04
009	0501010161	1/2" X 1.1/4" BOLT		04
010	0503010232	5/8" X 1.3/4" BOLT		04
011	0501058802	5/8 UNC X 2.3/4 BOLT ASSY		04
011A	0503015154	5/8" X 2.3/4" BOLT		01
011B	0501010947	5/8 NUT LOCK		01
011C	0503010013	5/8" NUT		02
011D	0501012140	FLAT WASHER		01
012	0503011440	SPRING WASHER		04
013	0521062673	BRACKET MOBILE FIXER ROLLER		01
014	0521065548	BREAK ROLLER SUPPORT		01
015	0521065551	BREAK ROLLER SUPPORT 2030 EST/MATIC		01
016	0501046922	AGRICULTURAL BEARING DM OL 192.5 X 1.1/4 9 IMPLEMENT		02



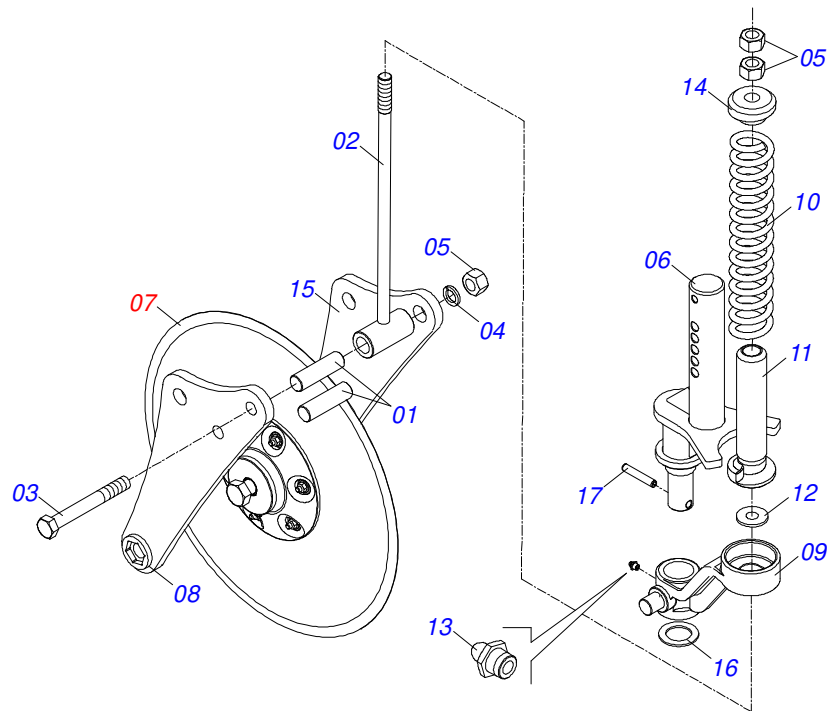
Item	Code	Description	See page	QT
01	0502040218	AXLE		01
02	0503010111	30210 ROLLER BEARING		02
03	0502010541	SEAL RETAINER		02
04	0503030026	SEAL LP JB-253		02
05	0502010071	INNER FLANGE		01
06	0502010540	HOUSING DM		01
07	0503030013	4.4" X 3.5" X 0.004" JOINT		02
08	0503030684	4.4" X 3.5" X 0.004" JOINT		01
09	0502010070	OUTER FLANGE		01
10	0502020424	HOUSING CAP		01
11	0503010134	3/8" X 1" BOLT		04
12	0503010856	OIL PLUG		02
13	3402301247	MINERAL OIL GREASE		0,11Lts



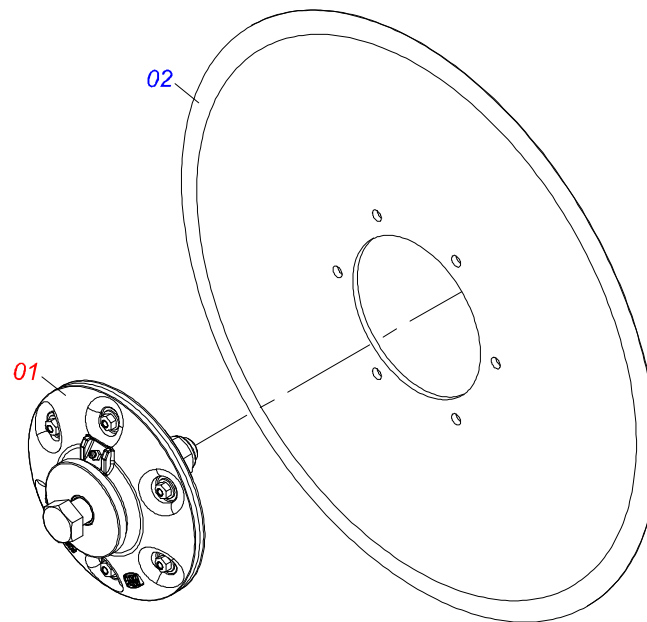
Item	Code	Description	See page	QT
01	0502011264	ARM AST/MATIC	01	01
02	0502011165	REAR FIXER	01	01
03	0511015688	28,50X180 COUPLING SHAFT	02	02
04	0503010571	1/4" X 1.1/2 COTTERPIN	08	08
05	0502011164	SUPPORT SPRING	01	01
06	0503811135	BOLT	01	01
07	0503010244	7/16" NUT	01	01
08	0511015689	1.1" X 3.5" COUPLING SHAFT	02	02
09	0521011631	AUTOMATIC RESET	01	01
10	0624010005	POINT SUBSOILER 16"X3"X1/2" E019	01	01
11	0503812956	BOLT	03	03
12	0503011440	SPRING WASHER	03	03
13	0503010020	1/2"NUT	03	03
14	0502011166	FRONT FIXER	01	01
15	0511019527	1" X 8" BOLT	04	04
16	0503011438	SPRING WASHER	04	04
17	0503010340	1" NUT	04	04



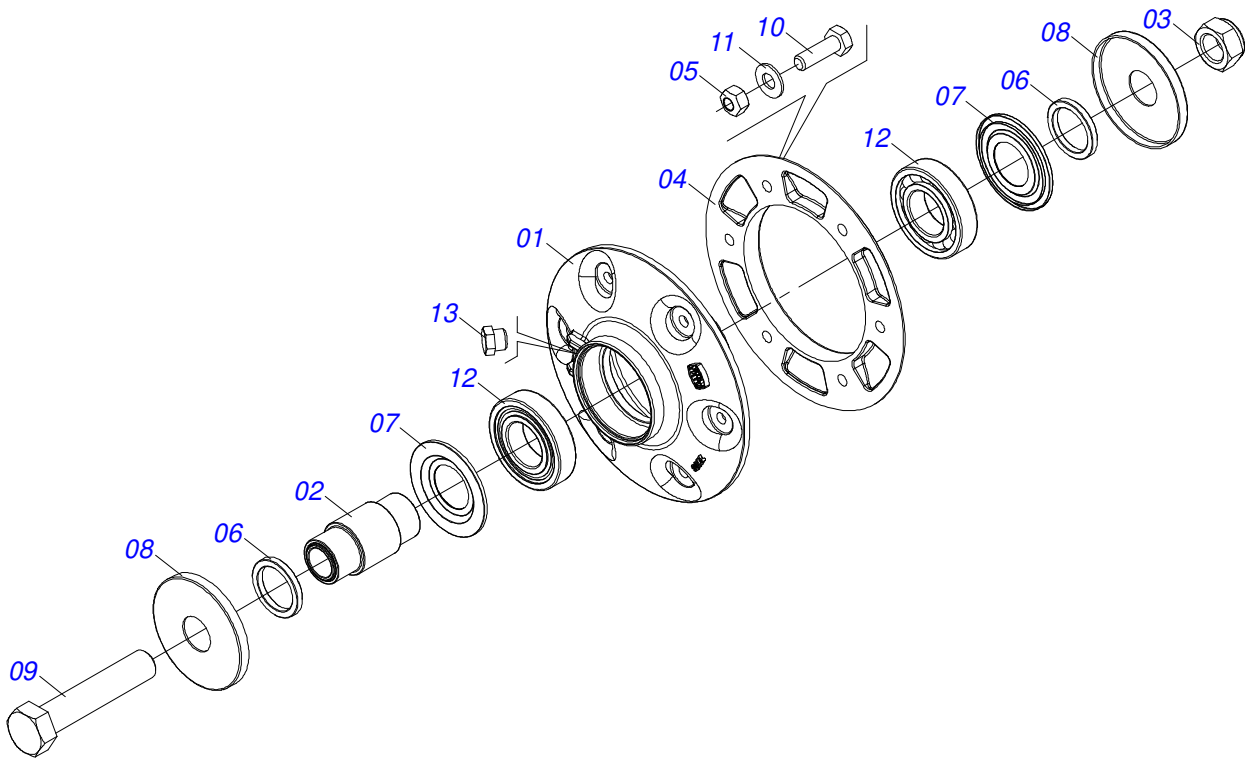
Item	Code	Description	See page	QT
001	0521050461	DISC BLADE ASSY	12	01
002	0502012796	BLADE DISC SUPPORT ASSY		01
003	0503034318	5/8 UNC X 2 BOLT		02
004	0503010013	5/8" NUT		02
005	0503011268	3/8" X 2-1/2" BOLT		01
006	0503010026	3/8" NUT		01
007	0503014744	3/4 UNF X 7.1/2 C S G.7 ZN BOLT		04
008	0503010023	3/4" SPRING WASHER		04
009	0503010335	3/4"NUT		04
010	0571011609	FIXER PLATE CUTTING DISC		02



Item	Code	Description	See page	QT
001	0521010452	SLEEVE		02
002	0521067579	SPRING ROD		01
003	0503011198	C3/4" X 6" SCREW		02
004	0503011442	3/4" SPRING WASHER		02
005	0503010014	3/4" NUT		04
006	0521067547	BLADE DISC AXLE ASSY		01
007	0511058648	BOX WITH DISC BLADE 20	13	01
008	0521067549	RIGHT ARM OF THE BLADE DISC		01
009	0581013586	DISC BLADE SUPPORT		01
010	0503034431	COMPRESSSION SPRING		01
011	0521067546	GUIDE ASSY		01
012	0501010322	FLAT WASHER		01
013	0503010002	1800 GREASE FITTING		01
014	0581013584	SPRING UPPER GUIDE		01
015	0521067548	LEFT ARM OF THE BLADE DISC		01
016	0581013579	FLAT WASHER		01
017	0503010842	0.39" X 2.95" SPRING PIN		01



Item	Code	Description	See page	QT
01	0511056909	DISC BOX CUT WITHOUT DISC	14	01
02	0603027851	20" X 0.2" FLAT PLAIN DISC		01



Item	Code	Description	See page	QT
01	0502012793	DISC HUB		01
02	0571018047	CUTTING DISC BOX SHAFT		01
03	0503017755	NUT		01
04	0502020641	BLADE DISC FLANGE		01
05	0503013816	5/16" LOCKNUT		06
06	0571018048	BACKREST WASHER		02
07	0521065882	NILOS SEALING RING		02
08	0571018049	DOOR DUST		02
09	0581010575	7/8" X 145 BOLT		01
10	0503018825	5/16 UNC UNC BOLT		06
11	0501010694	FLAT WASHER		06
12	0503016061	BEARING		02
13	0511017907	1/8" BSPT X 6 PLUG		01



civemasa

Technical Publications | Elaboration and Revision

LUIZ CANDIDO

www.civemasa.com.br

