

**REAR SCRAPER PULL TYPE**

**LTCL 2300/2500**

**Code:** 0501091968  
**Series:** S-0516  
**Revision:** 00  
**Revision Date:** AGOSTO/2021

# PARTS CATALOGUE

***CIVEMASA***




# PRODUCTS

Code	Description
0120520008	LTCL 2300 S-0516
0120520012	LTCL 2300 S-0516
0120520009	LTCL 2300 C/R S-0516
0120520009C	LTCL 2300 C/R EXP S-0516
0120520008C	LTCL 2300 EXP S-0516
0120520012C	LTCL 2300 EXP S-0516
0120520010C	LTCL 2500 EXP S-0516
0120520010	LTCL 2500 S-0516
0120520011C	LTCL 2500 C/R EXP S-0516
0120520011	LTCL 2500 C/R S-0516

## ATTENTION: IMPORTANT

Civemasa reserves the right to improve and / or modify the technical features of its products, without obligation to do the same with those products already sold and without prior knowledge of the dealer or the consumer.

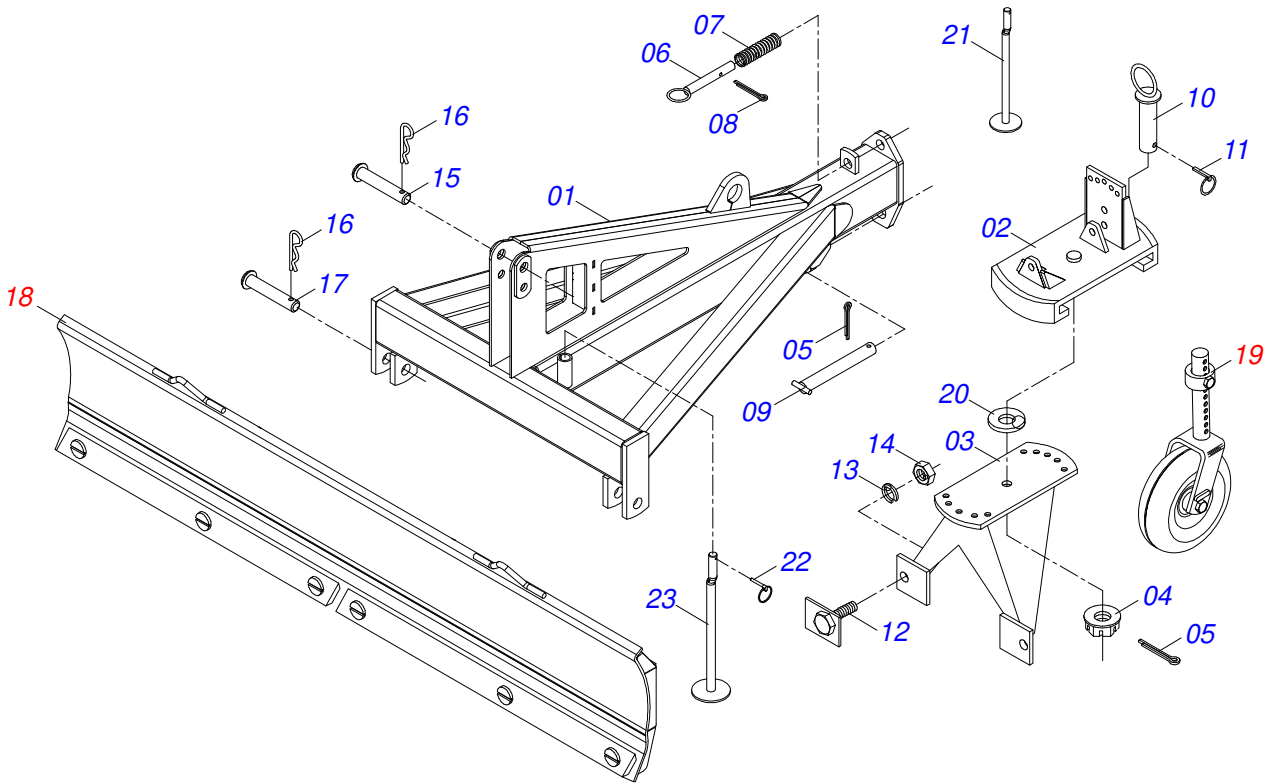




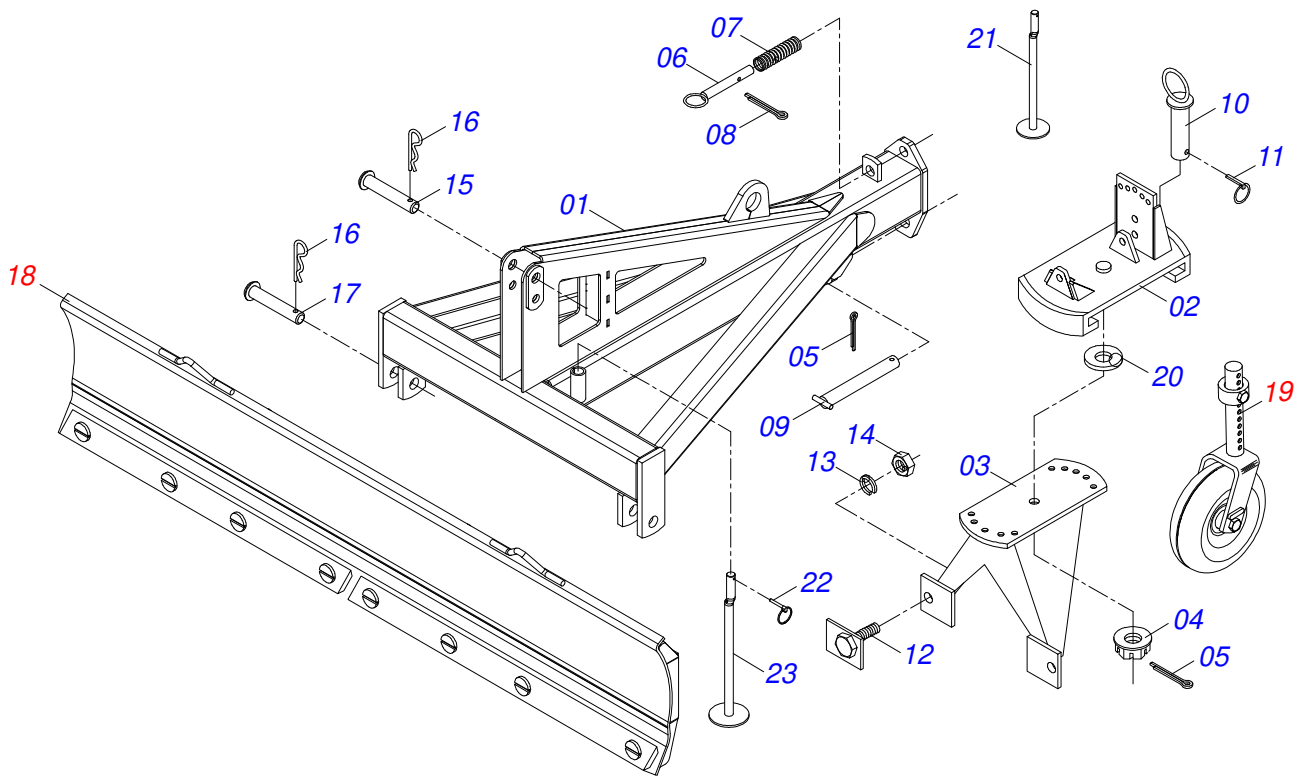
# INDEX

0909092709	FRAME - 2300	.....	1
0909092710	FRAME - 2500	.....	2
0501047773	230 BLADE SUPPORT	.....	3
0521041529	BLADE SUPPORT	.....	4
0511047879	WHEEL FORK ASSY	.....	5

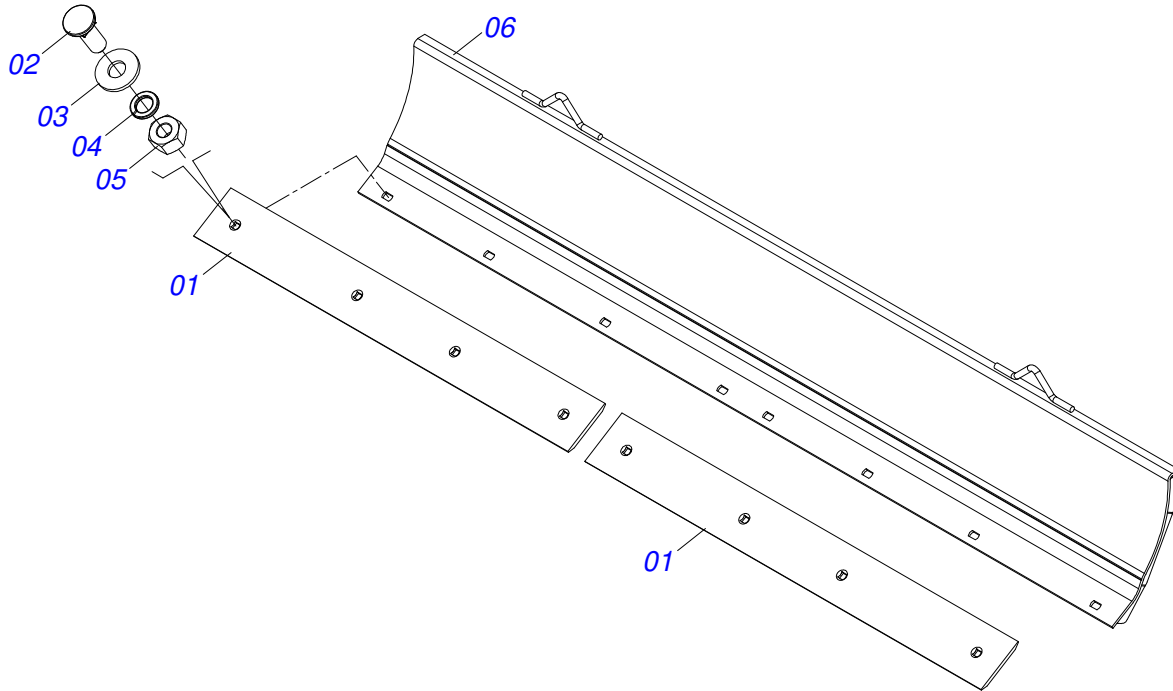




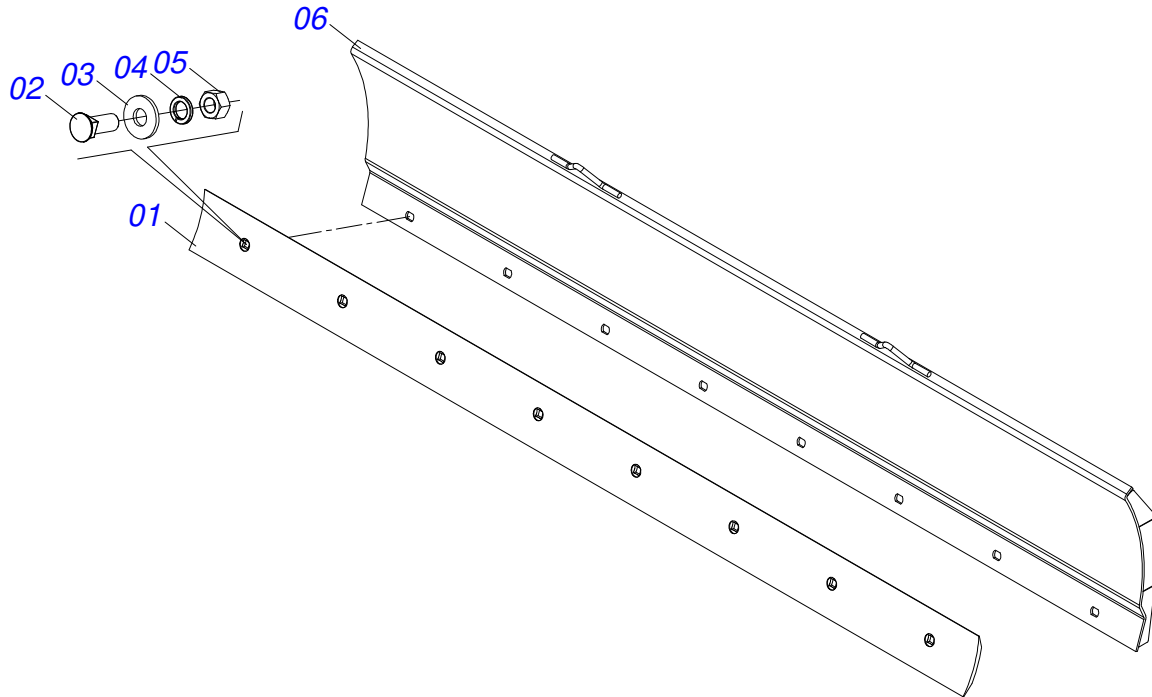
Item	Code	Description	See page	QT
01	0521063636	FRAME		01
01.	0521062482	FRAME		01
02	0511066744	REGULATOR BASE		01
03	0501061016	SUPPORT		01
04	0501011301	1.1/2 UNC 6FPP 2.5/16 NUT		01
05	0503010010	1/4" X 2.1/2" COTTERPIN		02
06	0501068990	COUPLING SHAFT		01
07	0503030517	1.27" X 4.72"X 0.9" SPRING		01
08	0503010018	5/32 X 1-1/2 COTTERPIN		01
09	0501062976	PIVOT SHAFT		01
10	0501069239	COUPLING SHAFT		01
11	0503030119	LOCK PIN		01
12	0501061017	ADJUSTMENT LOCKNUT		02
13	0503010012	1" SPRING WASHER		02
14	0501010059	1.5/8 NUT		02
15	0521010579	COUPLING SHAFT		01
16	0503031035	HAIR PIN		03
17	0521010595	1.1" X 4.3" COUPLING SHAFT		02
18	0501047773	230 BLADE SUPPORT	3	01
19	0511047879	WHEEL FORK ASSY	5	01
20	0501810287	FLAT WASHER		02
21	0511066743	PLOUGH SUPPORT		01
22	0503030085	LOCK PIN		02
23	0501062412	PLOUGH SUPPORT 725		01



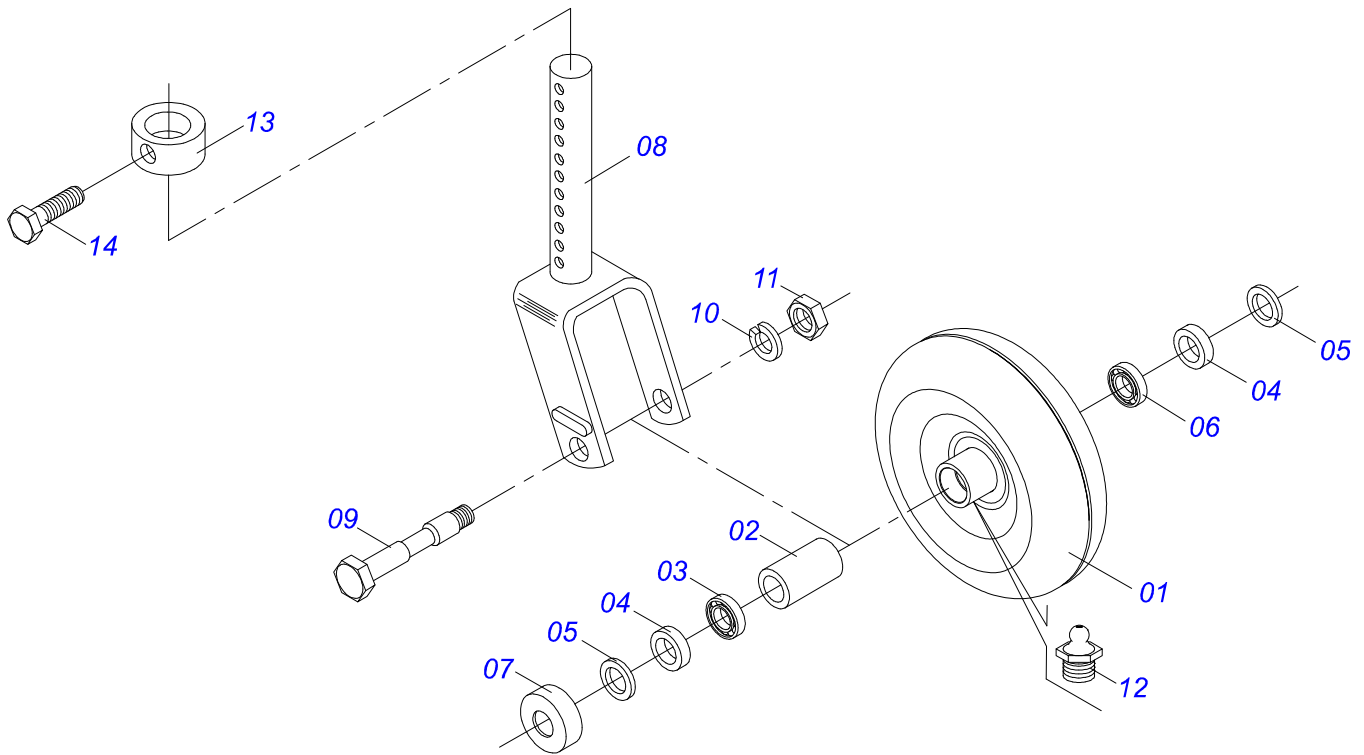
Item	Code	Description	See page	QT
01	0521063636	FRAME		01
02	0511066744	REGULATOR BASE		01
03	0501061016	SUPPORT		01
04	0501011301	1.1/2 UNC 6FPP 2.5/16 NUT		01
05	0503010010	1/4" X 2.1/2" COTTERPIN		02
06	0501068990	COUPLING SHAFT		01
07	0503030517	1.27" X 4.72"X 0.9" SPRING		01
08	0503010018	5/32 X 1-1/2 COTTERPIN		01
09	0501062976	PIVOT SHAFT		01
10	0501069239	COUPLING SHAFT		01
11	0503030119	LOCK PIN		01
12	0501061017	ADJUSTMENT LOCKNUT		02
13	0503010012	1" SPRING WASHER		02
14	0501010059	1.5/8 NUT		02
15	0521010579	COUPLING SHAFT		01
16	0503031035	HAIR PIN		03
17	0521010595	1.1" X 4.3" COUPLING SHAFT		02
18	0521041529	BLADE SUPPORT	4	01
19	0511047879	WHEEL FORK ASSY	5	01
20	0501810287	FLAT WASHER		02
21	0511066743	PLOUGH SUPPORT		01
22	0503030085	LOCK PIN		02
23	0501062412	PLOUGH SUPPORT 725		01



Item	Code	Description	See page	QT
01	0521010199	SCRAPER 1150		02
02	0503012956	1/2" X 1-1/2" BOLT		08
03	0511017302	FLAT WASHER		08
04	0503011440	SPRING WASHER		08
05	0503012682	1/2" BSW NUT		08
06	0501068819	90.95" BLADE SUPPORT		01



Item	Code	Description	See page	QT
01	0622360022	SCRAPER REVERSIBLE 2500		01
02	0501012239	5/8" X 1.3/4" BOLT		08
03	0501012140	FLAT WASHER		08
04	0503010027	5/8" SPRING WASHER		08
05	0503010013	5/8" NUT		08
06	0521063565	2500 BLADE SUPPORT		01



Item	Code	Description	See page	QT
01	0501063309	13.8" X 4.33" WHEEL ASSY		01
02	0521010460	0.9" X 1.1" X 2.9" SLEEVE		01
03	0503010269	6204 BALL BEARING		01
04	0521010487	SPACER WASHER		02
05	0503010268	00262-B SEAL		02
06	0503010269	6204 BALL BEARING		01
07	0511014254	DUST CLOAK		02
08	0501066590	WHEEL FORK		01
09	0501017143	WHEEL AXLE		01
10	0503011442	3/4" SPRING WASHER		01
11	0503010014	3/4" NUT		01
12	0503010002	1800 GREASE FITTING		02
13	0502040462	45,4 SLEEVE		02
14	0501018535	1/2 X 1 BOLT		02







***civemasa***

**Technical Publications | Elaboration and Revision**

MARINA PEREZ NIZA

[www.civemasa.com.br](http://www.civemasa.com.br)

