

PARTS CATALOGUE

CHASER BIN SEED END FERTILIZER

TAGA 10500

Code: 0501091915



Series: S-0617

Rev.: 00

Date Rev.: NOVEMBRO/2018

**ORIGINAL PARTS
CIVEMASA**

civemasa

PRODUCTS

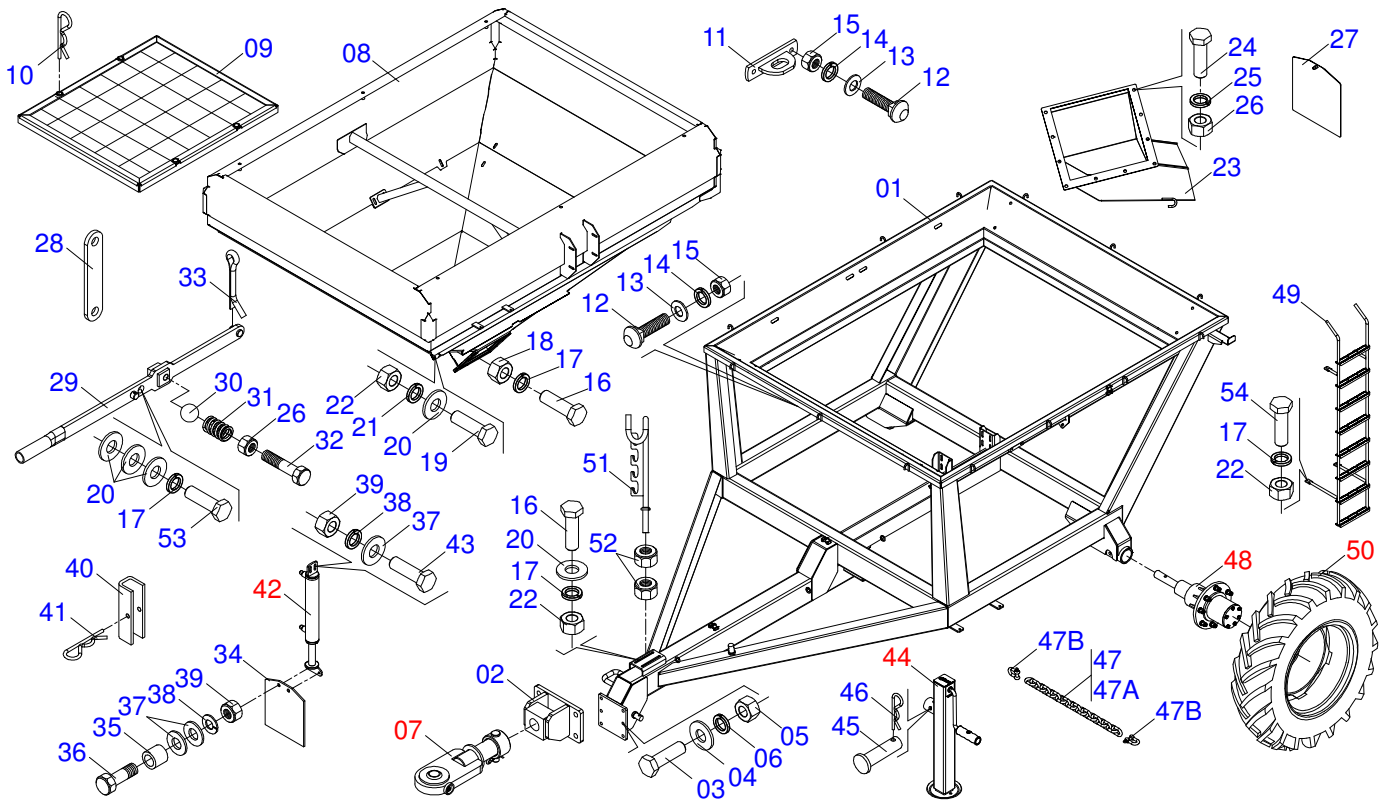
Code	Description
0121100020	TAGA 10500 C/ARO S/PN S-0617
0121100011	TAGA 10500 EMB ELETR S-0617

ATTENTION: **IMPORTANT**

CIVEMASA RESERVES THE RIGHT AT ANY TIME TO MAKE IMPROVEMENTS IN THE DESIGN, MATERIAL OR SPECIFICATIONS OF MACHINERY, EQUIPMENT OR PARTS WITHOUT THEREBY BECOMING LIABLE TO MAKE SIMILAR CHANGES IN MACHINERY, EQUIPMENT OR PARTS PREVIOUSLY SOLD.

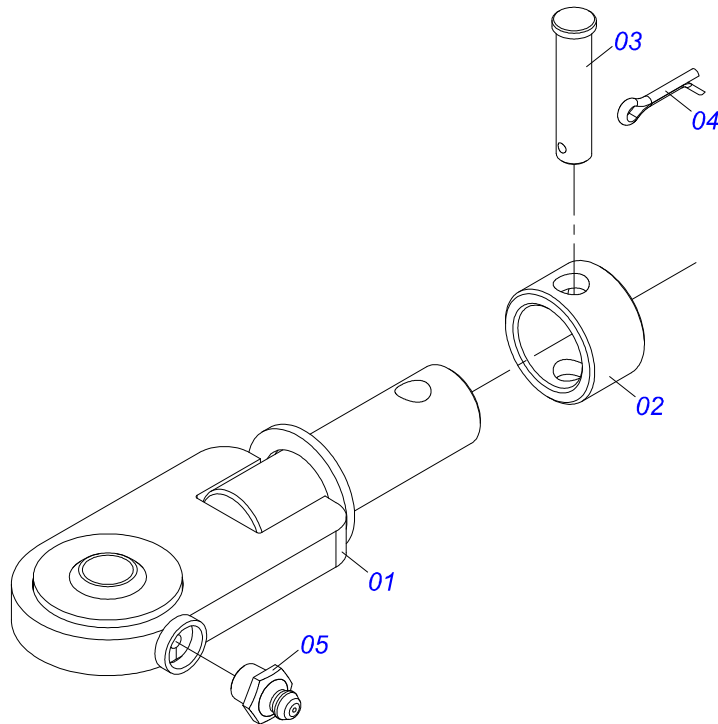
INDEX

0909092670	FRAME ASSY	1
0501053494	TRACTOR HITCH ASSY	2
0511058223	HYDRAULIC CYLINDER	3
0503062157	HEADER JACK	4
0511051262	REAR CARRYING-WHEELS ASSY	5
0503061051	WHEEL AND TIRE ASSY 18.4 X 30	6
0909092671	ASSY LOWER / TOP CONDUCTOR	7
0511051857	SLUICE VALVE ASSY	8
0511052760	BOCAL OUT OF CEREALS WITH COVERING	9
0521040821	TRANSMISSION BOX	10
0511051896	UPPER CONDUCTOR ASSY	11
0501057633	SUPPORT HUB	12
0501057635	CONDUCTOR LOWER HUB	13
0501056460	HYDRAULIC CYLINDER	14
0511051265	CONDUCTOR PLOUGH SUPPORT ASSY	15
0501056252	DISCHARGE SOCKET	16
0909094077	HIDRAULIC CIRCUIT	17
0503032411	HYDRAULIC CYLINDER	18
0909094080	SISTEM FRICÇÃO	19
0501048241	DRIVE SHAFT	20
0521040890	DRIVE SHAFT	21
0511050253	CARDAN TRANSMISSION HUB	22
0909094081	CARDAN TRANSMISSION SYSTEM	23
0521040860	DRIVE SHAFT	24
0511051899	UNIVERSAL JOINT	25
0511041213	AGRICULTURAL BEARING	26

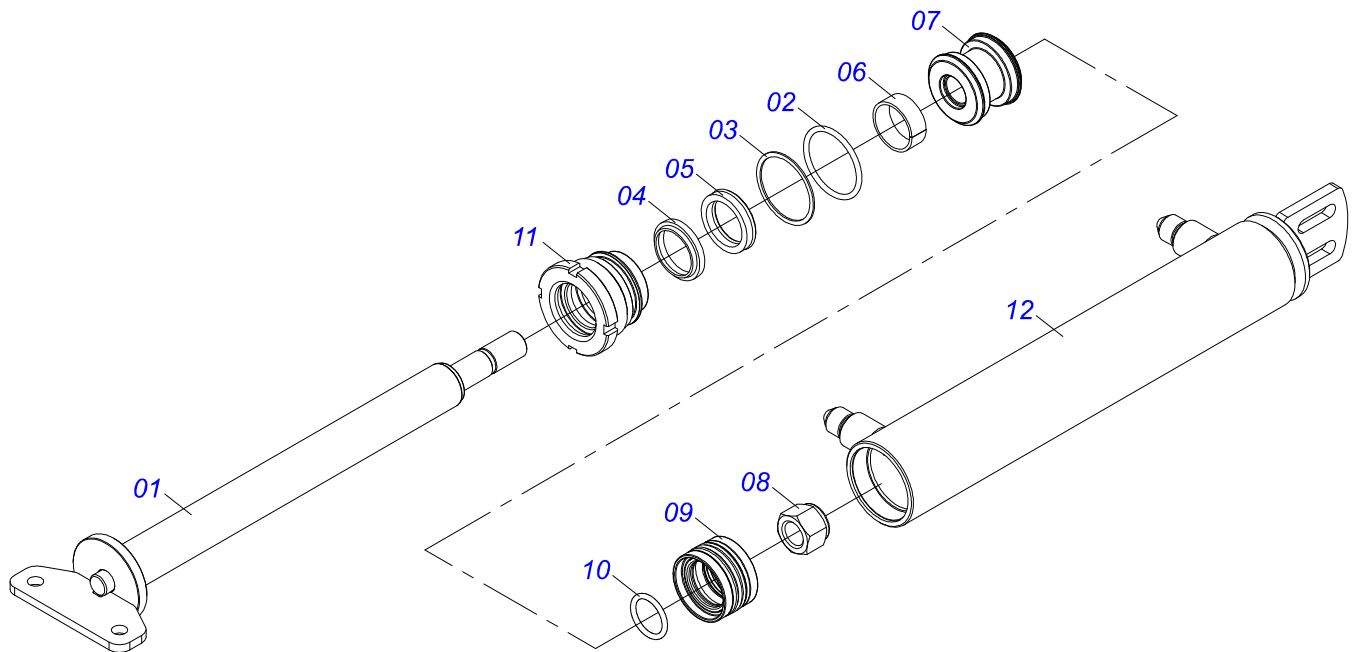


Item	Code	Description	QT
01	0521067894	FRAME	01
02	0521062543	HITCH SUPPORT	01
03	0501010125	3/4" X 2-1/2" BOLT	04
04	0501010322	FLAT WASHER	02
05	0503010014	3/4" NUT	04
06	0503011442	3/4" SPRING WASHER	04
07	0501053494	TRACTOR HITCH ASSY	01
08	0521062561	TCA 10500 BUCKET	01
09	0521062808	SCREEN TCA 10500	01
10	0503030012	HAIR PIN	04
11	0521062549	HOOK FIXER	04
12	0503013842	5/8" UNC X 1-3/4" BOLT	08
13	0501012140	FLAT WASHER	04
14	0503010027	SPRING WASHER	04
15	0503010013	5/8" NUT	16
16	0503010740	1/2" X 2" BOLT	10
17	0503010019	1/2" SPRING WASHER	02
18	0503010060	1/2" NUT	04
19	0503014734	1/2" X 1" BOLT	08
20	0511017302	FLAT WASHER	04
21	0503011440	SPRING WASHER	08
22	0503010060	1/2" NUT	08
23	0521062548	REAR POINT	01
24	0503010740	1/2" X 2" BOLT	10
25	0503010019	1/2" SPRING WASHER	10
26	0503010060	1/2" NUT	10
27	0521062557	SLUICE VALVE COVER	01
28	0561019551	COPY	01
29	0521062554	SLUICE VALVE CONTROL	01
30	0503012389	1/2 BALL	01
31	0503031512	0.4" X 0.1" X 2" X 0.6" SPRING	01
32	0503010395	1/2" X 1-1/4" BOLT	01
33	0503010362	1/8" X 1.1/4" COTTERPIN	02

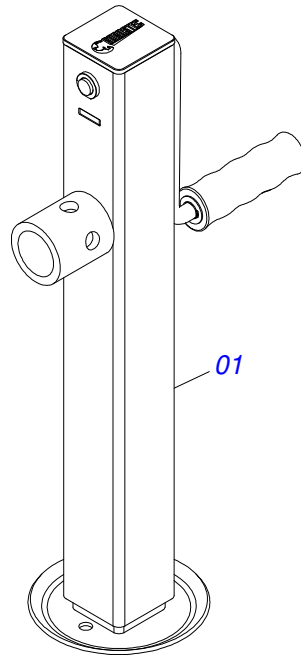
Item	Code	Description	QT
34	0541016295	SLUICE VALVE DISCHARGE	01
35	0561019550	SLEEVE 13 X 10 X 20 TCA 10500	02
36	0501011532	3/8" X 1-3/4" BOLT	02
37	0501010984	FLAT WASHER	06
38	0503010025	3/8 SPRING WASHER	04
39	0503010026	3/8" NUT	04
40	0551019995	HIDRAULIC CILINDER LOCK	01
41	0503030012	HAIR PIN	01
42	0511058223	HYDRAULIC CYLINDER	01
43	0503011088	3/8" X 1-1/4" BOLT	02
44	0503062157	HEADER JACK	01
45	0521010549	COUPLING SHAFT	01
46	0503030168	HAIR PIN	01
47	0511059041	CURRENT SECURITY	01
47A	0503014120	CHAIN	01
47B	0503014321	CABLE STEEL SHACKLE	02
48	0511051262	REAR CARRYING-WHEELS ASSY	02
49	0521066141	LADDER	01
50	0503061051	WHEEL AND TIRE ASSY 18.4 X 30	02
51	0501060409	HOSE SOPPORT ASSY	01
52	0503010014	3/4" NUT	02
53	0503010239	1/2" X 1-1/2" BOLT	08
54	0503010920	1/2" X 1.1/2" BOLT	04



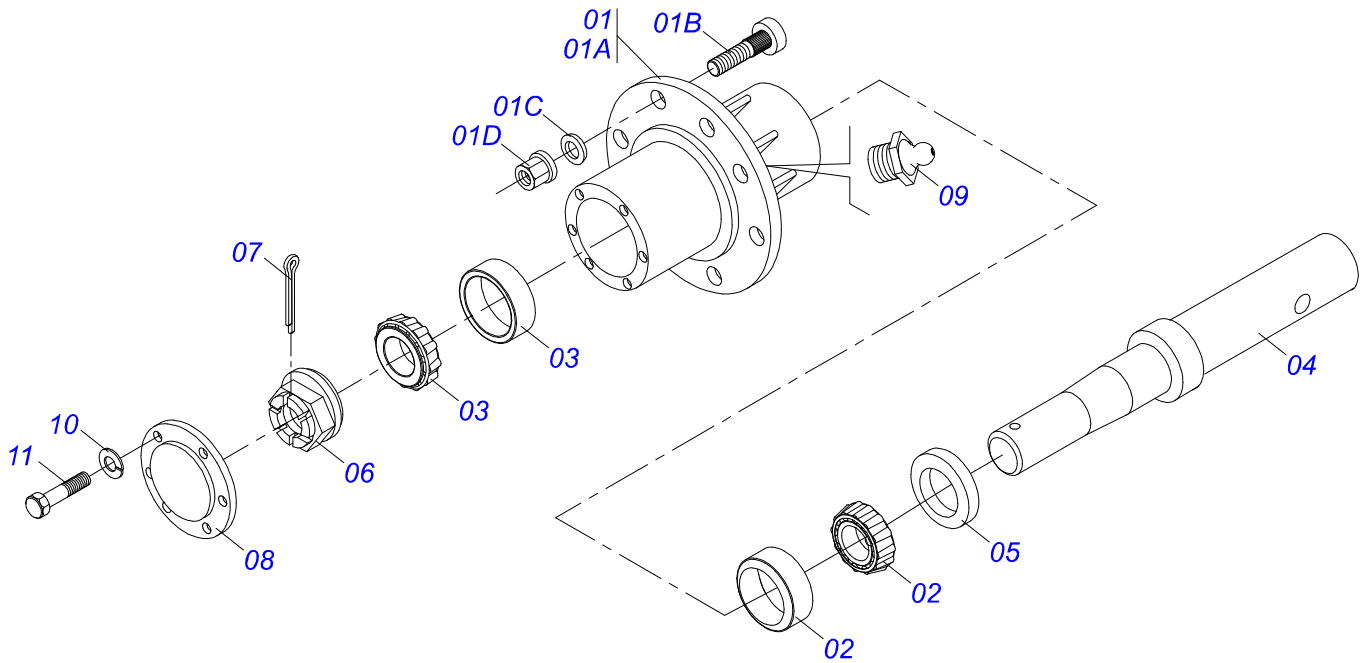
Item	Code	Description	QT
001	0511062245	TRACTOR HITCH ASSY	01
002	0521010681	BUSHING COUPLING BODY	01
003	0521010639	COUPLING SHAFT	01
004	0503010571	1/4" X 1.1/2 COTTERPIN	01
005	0503010002	1800 GREASE FITTING	01



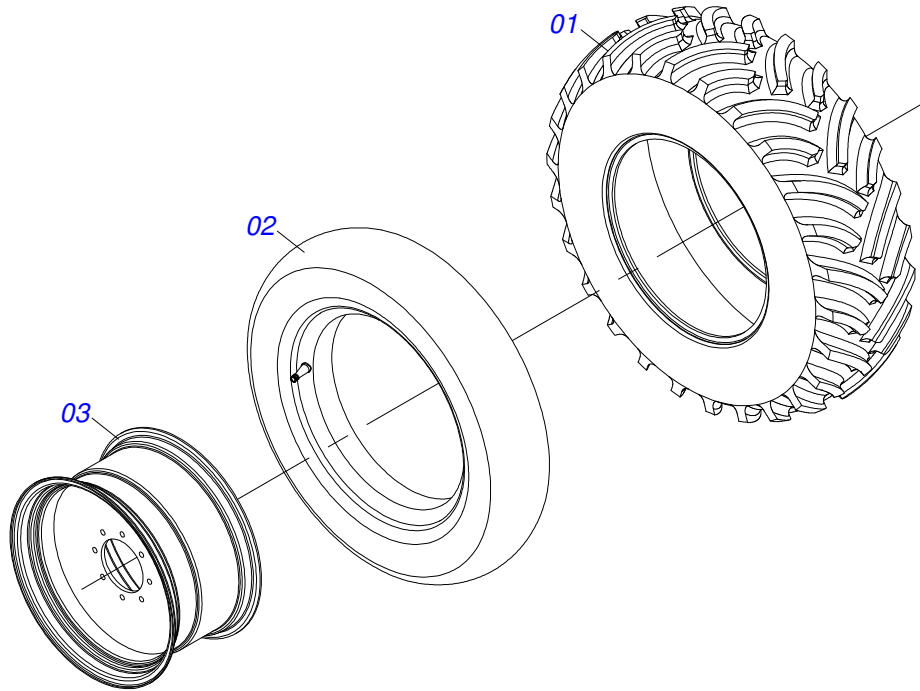
Item	Code	Description	QT
001	0521066552	STEM	01
002	0503013917	O`RING 2-224	01
003	0503013918	8-224 BACK-UP RING	01
004	0503013915	D-1250 SCRAPER RING	01
005	0503018174	RING	01
006	0503014683	W1-1400-500 RING GUIDE	01
007	0581010649	PISTON	01
008	0503010152	3/4" UNF SELF ADJUSTING NUT	01
009	0503018175	RING	01
010	0503010045	2-116 N 3006-9B O`RING	01
011	0551019988	RING SUPPORT 31,75 X 50,80 X 47	01
012	0521062542	CYLINDER CASE	01



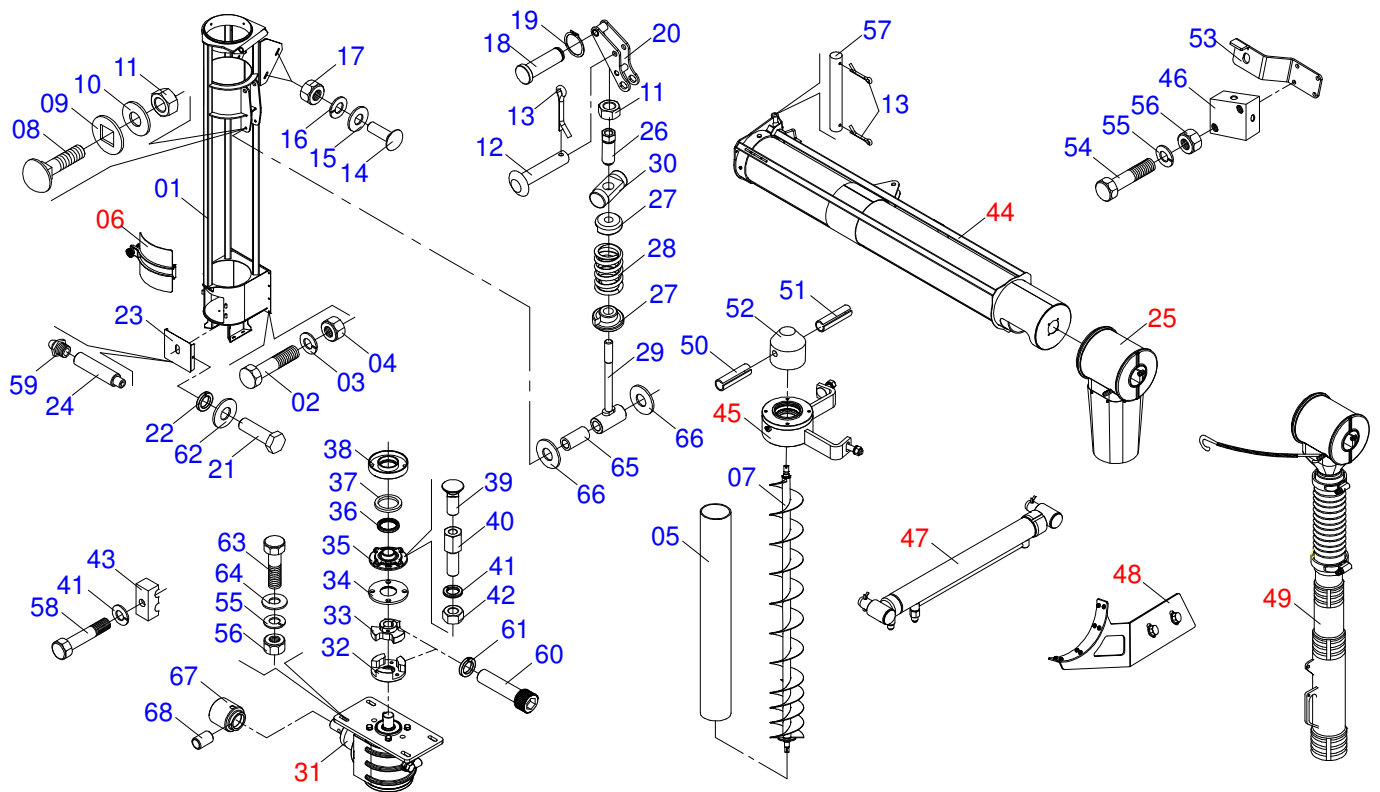
Item	Code	Description	QT
01	0503062157	HEADER JACK	01



Item	Code	Description	QT
01	0501110735	HUB CARRYING WHEELS WITH BOLT	01
01A	0502011229	CARRYING WHEEL HUB	01
01B	0503011339	M22 X 1,5 X 72 BOLT	08
01C	0503011340	SPHERICAL SPRING WASHER	08
01D	0503011341	M22 X 0.6" NUT GR8 NUT	08
02	0503010059	33287/33462 ROLLER BEARING	01
03	0503010007	3982/3920 ROLLER BEARING	01
04	0561019635	POINT AXIS REAR	01
05	0503010050	SEAL 00085-B	01
06	0502040080	2.1/2" UM FLANGE NUT	01
07	0503011345	1/4" X 3-1/2" COTTERPIN	01
08	0541013225	WHEEL BOX COVER	01
09	0503010002	1800 GREASE FITTING	01
10	0503011444	SPRING WASHER	06
11	0503010240	5/16" X 3/4" BOLT	06



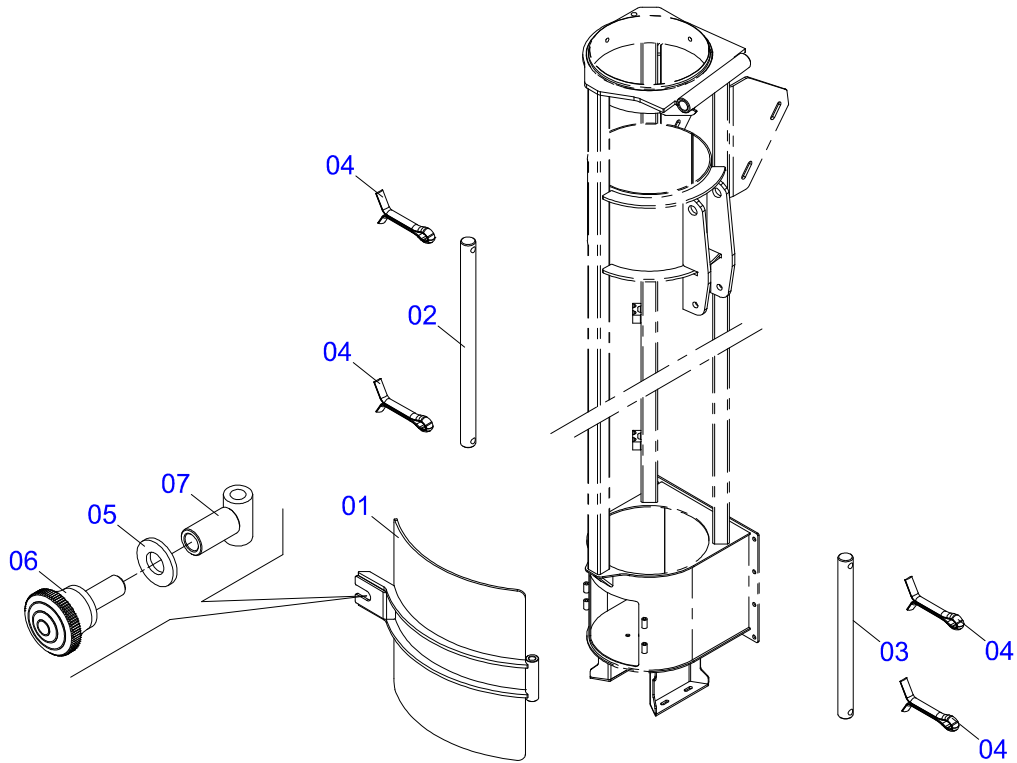
Item	Code	Description	QT
001	0503013507	CANVAS TIRE	01
002	0503013508	18.4-30 INNER TIRE	01
003	0503032413	DW 16.30 HOOP WHEEL	01



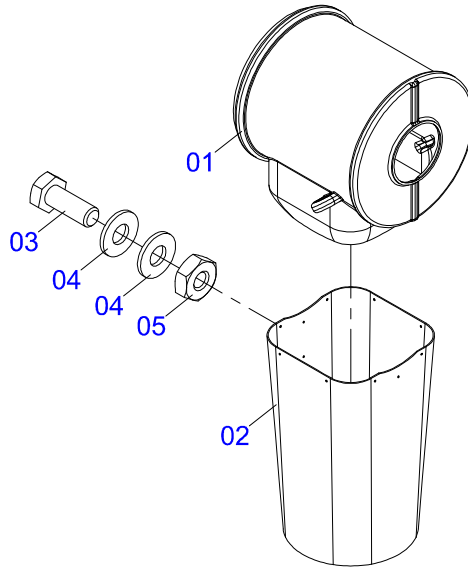
Item	Code	Description	QT
01	0521063165	LOWER CONDUCTOR SUPPORT	01
02	0503011082	C1/2" X 1.3/4" BOLT	10
03	0503010019	1/2" SPRING WASHER	10
04	0503010060	1/2" NUT	10
05	0503032418	355 X 8,70 X 2320 TUBE PVC	01
06	0511051857	SLUICE VALVE ASSY	01
07	0521063095	LOWER CONDUCTOR	01
08	0503014192	3/4 UNC BOLT	01
09	0501010637	FLAT WASHER	01
10	0501017065	FLAT WASHER	02
11	0503011255	3/4" LOCK NUT	02
12	0521010544	1.2" X 4.9" COUPLING SHAFT	01
13	0503010523	1/4" X 2" COTTERPIN	01
14	0503012699	5/8" X 2" BOLT	04
15	0501012140	FLAT WASHER	04
16	0503010027	SPRING WASHER	04
17	0503010013	5/8" NUT	04
18	0551015389	COUPLING SHAFT	01
19	0503010880	501032 CLAMPING RING (FOR AXLE)	01
20	0511068634	CILINDER ARTICULATION	01
21	0503010240	5/16" X 3/4" BOLT	04
22	0503010179	SPRING WASHER	04
23	0521063112	COVER	02
24	0503031394	EXTENSION GREASE FITTING	01
25	0511052760	BOCAL OUT OF CEREALS WITH COVERING	01
26	0521018575	REGULATOR SPINDLE 100	01
27	1902020393	SPRING UPPER SUPPORT	02
28	0503030441	12.7" X 5.7" X 0.5"SPRING	01
29	0501067323	SPRING REGULATOR	01
30	0502011968	SPRING LOCKNUT	01
31	0521040821	TRANSMISSION BOX	01
32	0521063097	TRANSMISSION BOX FOLLOWER	01
33	0521063096	CONDUCTOR FOLLOWER	01

ASSY LOWER / TOP CONDUCTOR

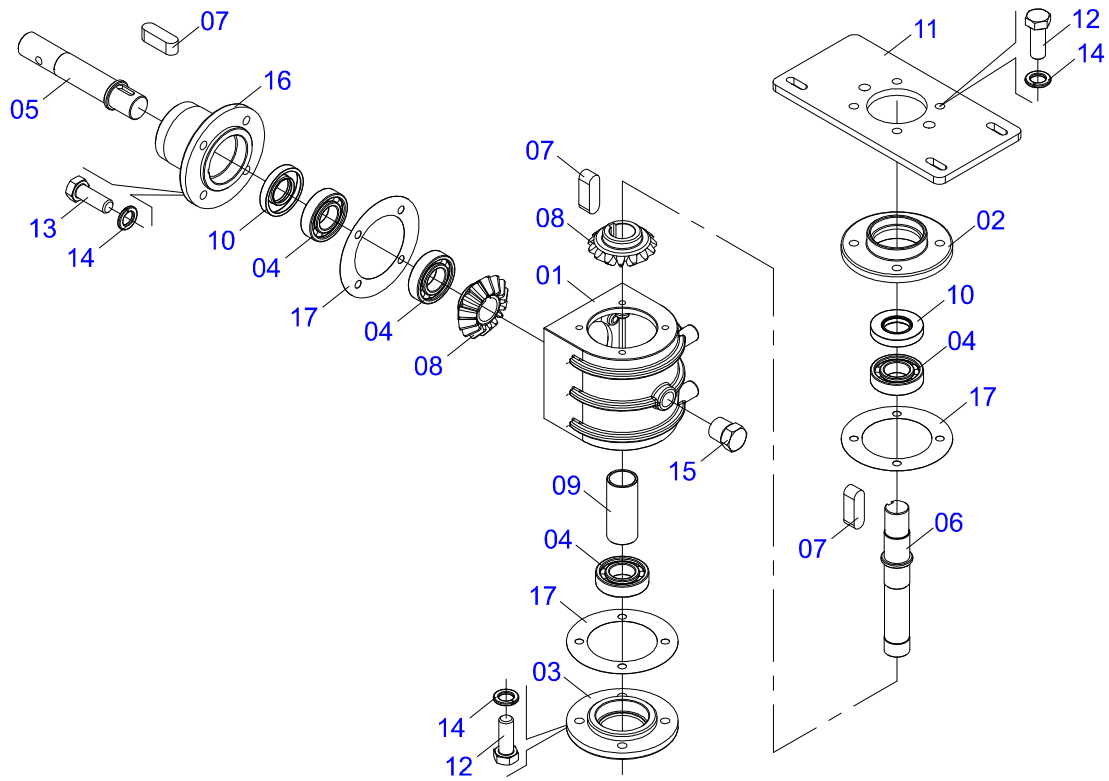
Item	Code	Description	QT
34	0571011301	SUPPORT FLANGE CLOTH	01
35	0503013510	BEARING ASSY	01
36	0551016480	58X75X9 SEAL	01
37	0503013602	502075 CLAMPING RING	01
38	0571011300	SUPPORT SEAL	01
39	0503011426	7/16" X 1-1/4" BOLT	04
40	0571011309	BATH BEARING FIXER	04
41	0503010180	7/16" SPRING WASHER	02
42	0503010244	7/16" NUT	04
43	0502012702	BODY SUPPORT CLAMP	02
44	0511051896	UPPER CONDUCTOR ASSY	01
45	0501057635	CONDUCTOR LOWER HUB	01
46	0503013622	VALVE ASSY	01
47	0501056460	HYDRAULIC CYLINDER	01
48	0511051265	CONDUCTOR PLOUGH SUPPORT ASSY	01
49	0501056252	DISCHARGE SOCKET	01
50	0503010927	0.6" X 3.9" SPRING PIN	01
51	0503010928	0.4" X 4" SPRING PIN	01
52	0551015076	SLEEVE	01
53	0551015395	VALVE SUPPORT	01
54	0503011179	3/8" X 2-1/4" BOLT	02
55	0503010025	3/8 SPRING WASHER	02
56	0503010026	3/8" NUT	02
57	0541016954	31,75MM X 422MM AXLE	01
58	0503012555	7/16" X 2" BOLT	02
59	0503010691	1/4" GREASE FITTING	01
60	0503015348	3/8" BOLT	04
61	0503010025	3/8 SPRING WASHER	04
62	0501010694	FLAT WASHER	04
63	0501010942	3/8" X 1-1/4" BOLT	04
64	0501013518	FLAT WASHER	04
65	0551015089	GLOVE	01
66	0551015396	FLAT WASHER	02
67	0571019513	CROSSPIECE	01
68	0503011807	M 8 X 1,25 X 10 BOLT	01



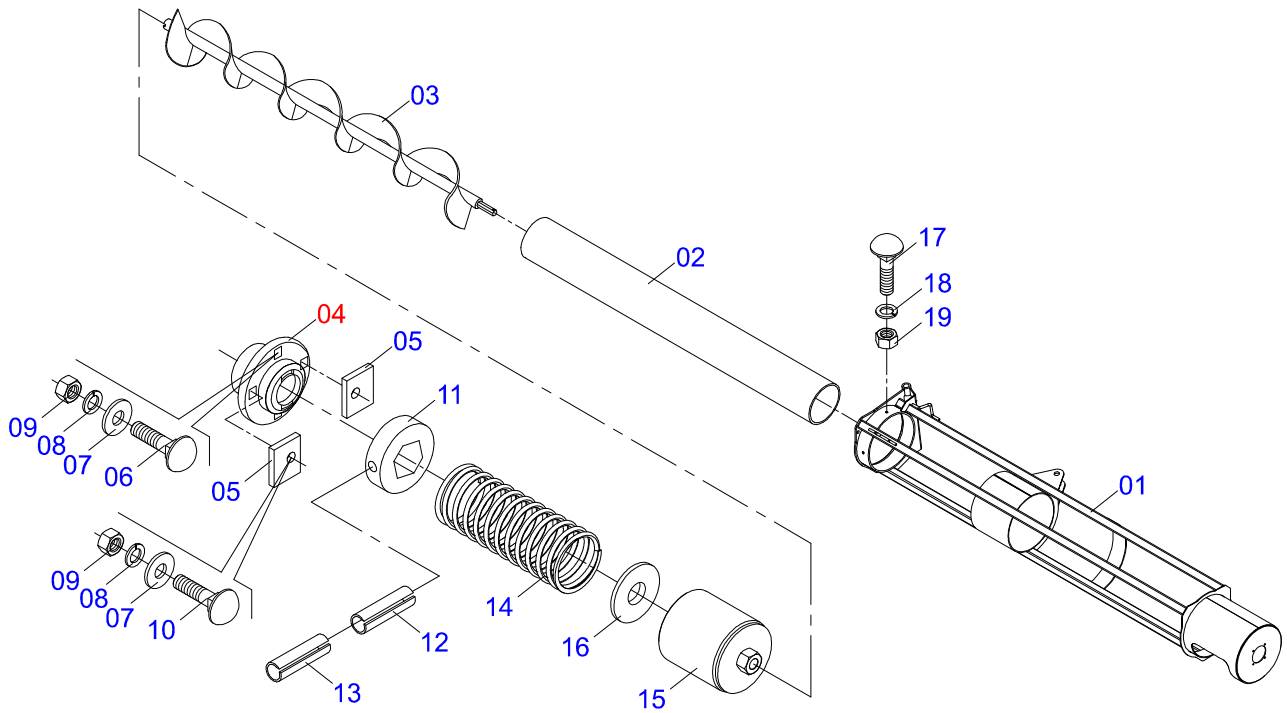
Item	Code	Description	QT
001	0521063098	SLUICE VALVE	01
002	0571011299	PIVOT SHAFT	01
003	0571011298	PIVOT SHAFT LOCK	01
004	0503010257	1/8" X 1" COTTERPIN	04
005	0501010937	FLAT WASHER	01
006	0503016361	PMO 900 KNOB	01
007	0521063099	PIVOT LOCK COMPUERTA	01



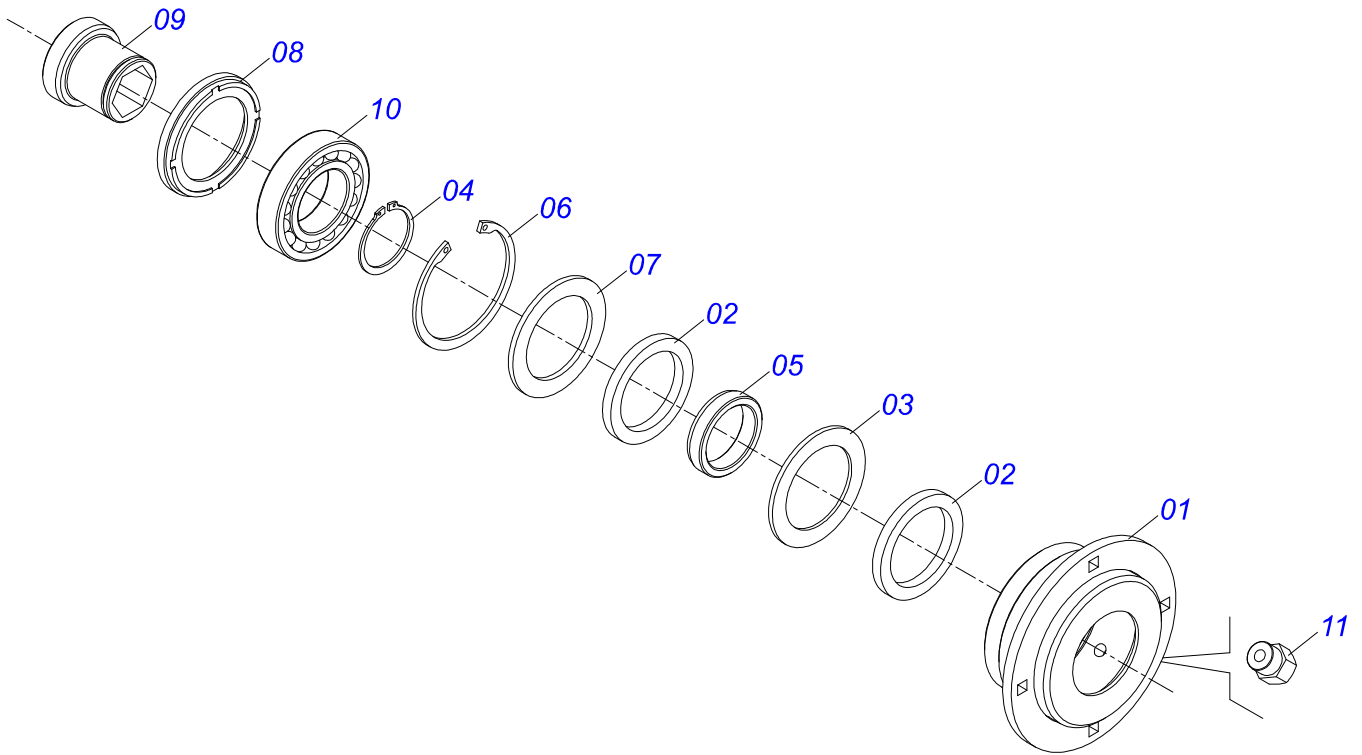
Item	Code	Description	QT
001	0503032581	SOCKET	01
002	0571012961	BOCAL OUT OF CEREALS WITH COVERING	01
003	0503013784	3/16 UNC X 1/2 C S G.2 ZN BOLT	21
004	0503010669	FLAT WASHER	21
005	0503010667	3/16" NUT	21



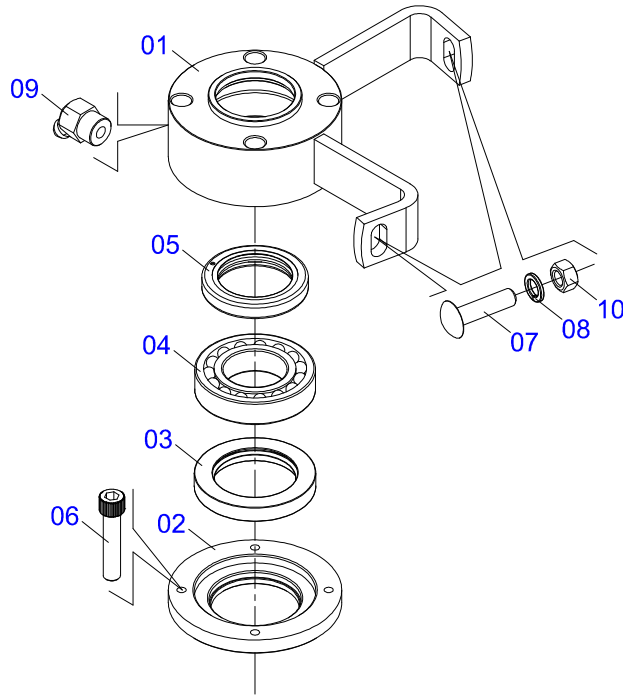
Item	Code	Description	QT
01	0502010312	DISTRIBUTOR REDUCTION BOX	01
02	0502012695	UPPER COVER	01
03	0502010357	LOWER COVER	01
04	0503010276	6206 BALL BEARING	04
05	0571010264	TRANSMISSION BOX AXLE	01
06	0571011311	TRANSMISSION BOX AXLE	01
07	0503031030	5/16" X 1.98" KEYWAY	03
08	0503030153	15Z CONICAL GEAR	02
09	0571010262	SLEEVE 36 X 30,05/30,15 X 82,50	01
10	0503010083	50791MBL SEAL	02
11	0571011310	FIXER PLATE BOX TRANSMISSION	01
12	0503010237	3/8" X 1" BOLT	08
13	0503010751	C3/8" X 1.1/4" HEX BOLT G.5	04
14	0503011443	SPRING WASHER	12
15	0503031604	1/2" BSP PLUG	01
16	0502010437	HUB CENTRAL	01
17	0503030157	5.12" X 3.21" X 0.008" JOINT	03



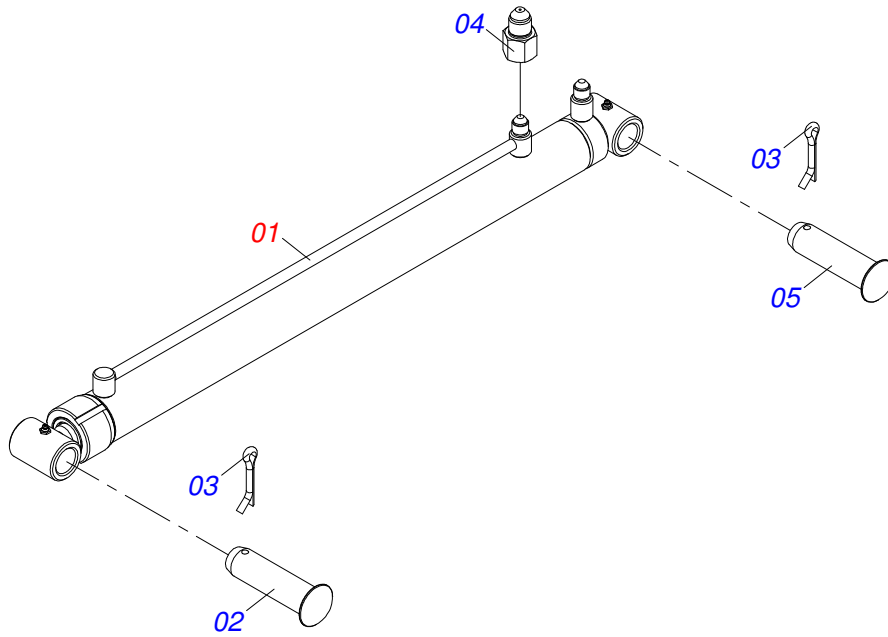
Item	Code	Description	QT
01	0521063166	UPPER CONDUCTOR SUPPORT	01
02	0503032417	TUBE PVC 355 X 8,70 X 2685	01
03	0511068554	UPPER AXLE CONDUCTOR	01
04	0501057633	SUPPORT HUB	01
05	0501016149	FIXER PLATE	02
06	0503011953	5/16" X 1" BOLT	02
07	0501010694	FLAT WASHER	06
08	0503010179	SPRING WASHER	06
09	0503010337	5/16" NUT	06
10	0503012163	5/16" X 1-1/2" BOLT	02
11	0541016549	SLEEVE HEX SEXTAVADA 32 X 58 X 20	01
12	0503010756	0.2" X 2.4" SPRING PIN	01
13	0503010361	SPRING PIN	01
14	0503032958	90 X 230 X 7 TCA COMPRESSION SPRING	01
15	0511068591	COVER	01
16	0551015071	SUPPORT WASHER	01
17	0501010243	1/2" X 1-1/2" BOLT	02
18	0503010019	1/2" SPRING WASHER	02
19	0503012682	1/2" BSW NUT	02



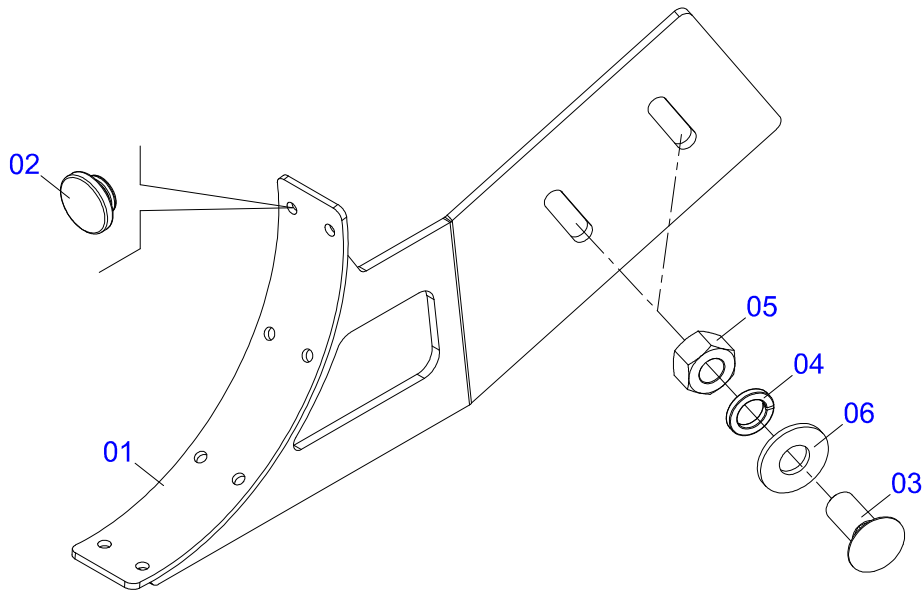
Item	Code	Description	QT
01	0511068633	SUPPORT HUB	01
02	0503032420	FELT WASHER	02
03	0541016557	FELT WASHER SUPPORT	01
04	0503010542	501045 CLAMPING RING (FOR AXLE)	01
05	0541016550	44,91 X 57,50 X 13 SLEEVE	01
06	0503013200	502085 CLAMPING RING (FOR AXLE)	01
07	0541016558	FLAT WASHER	01
08	0541016556	FELT GUIDE ROLLER HUB	01
09	0541016548	HEX SLEEVE 32 X 57,50 X 54	01
10	0503013511	1209-E BEARING ASSY	01
11	0503010003	1845 GREASE FITTING	01



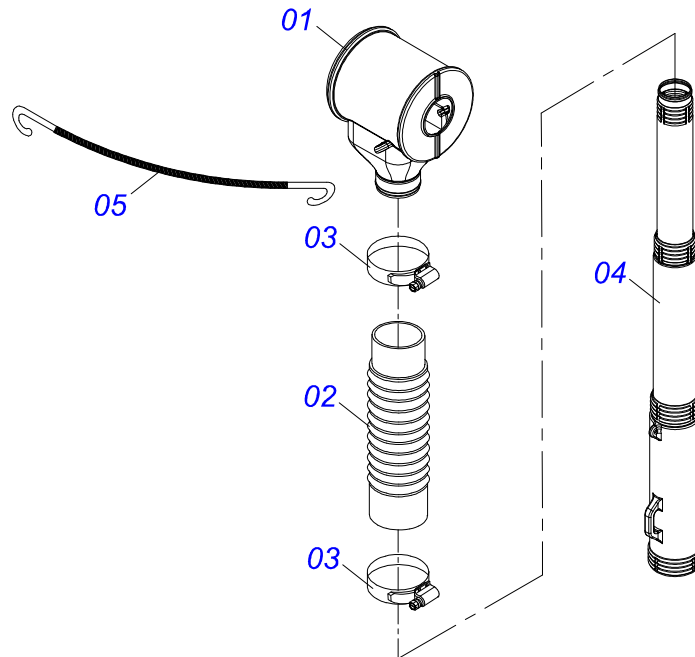
Item	Code	Description	QT
01	0511068635	CONDUCTOR LOWER HUB	01
02	0551015078	BEARING UPPER FLANGE	01
03	0503010804	00547-B SEAL	01
04	0503013511	1209-E BEARING ASSY	01
05	0551015432	SEAL 00838-B	01
06	0503014521	5/16 UNC X 1.1/2 CCSI 12.9 BOLT	04
07	0501010524	1/2" X 2" BOLT	02
08	0503010019	1/2" SPRING WASHER	02
09	0503010003	1845 GREASE FITTING	01
10	0503012682	1/2" BSW NUT	02



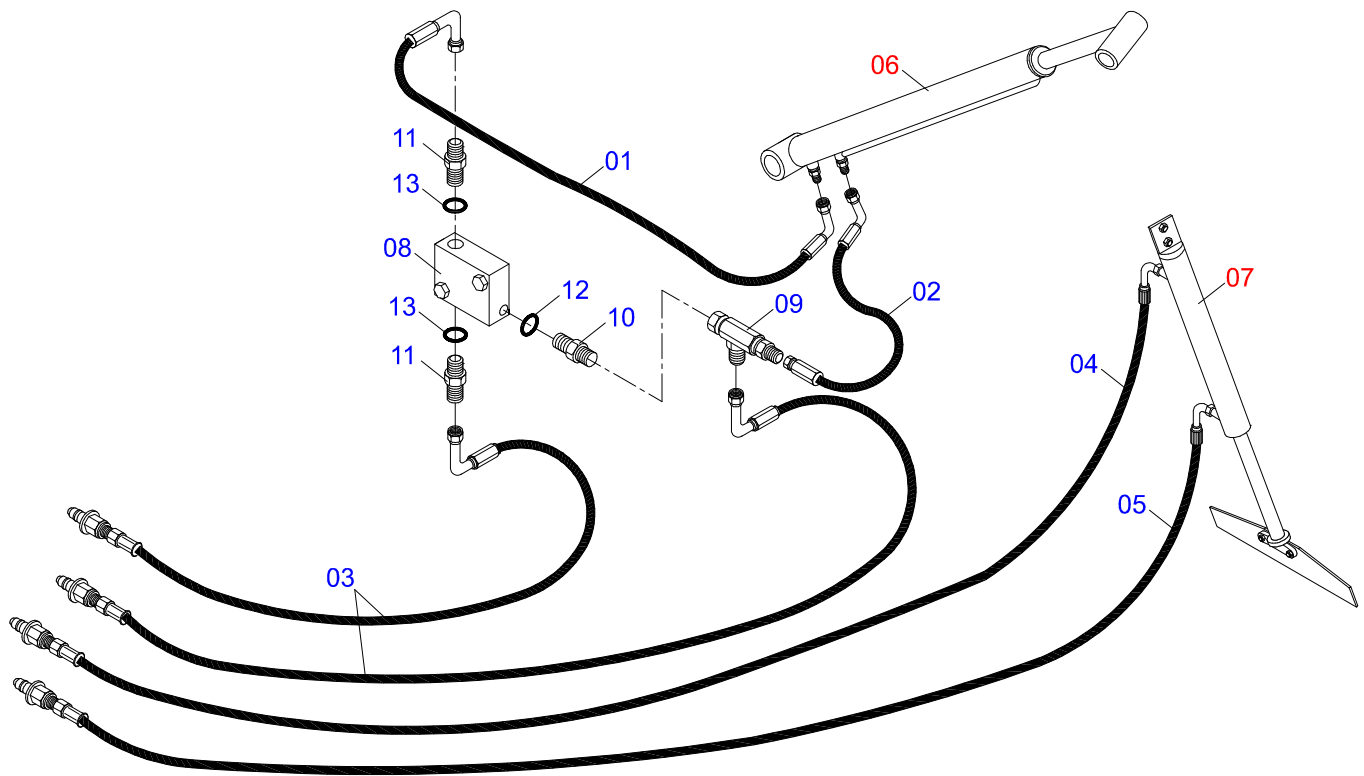
Item	Code	Description	QT
01	0503032411	HYDRAULIC CYLINDER	01
02	0521010780	1.2" X 4.5" COUPLING SHAFT	01
03	0503010523	1/4" X 2" COTTERPIN	02
04	0511018012	1/8" HIDRAULIC ADAPTER	01
05	0521010544	1.2" X 4.9" COUPLING SHAFT	01



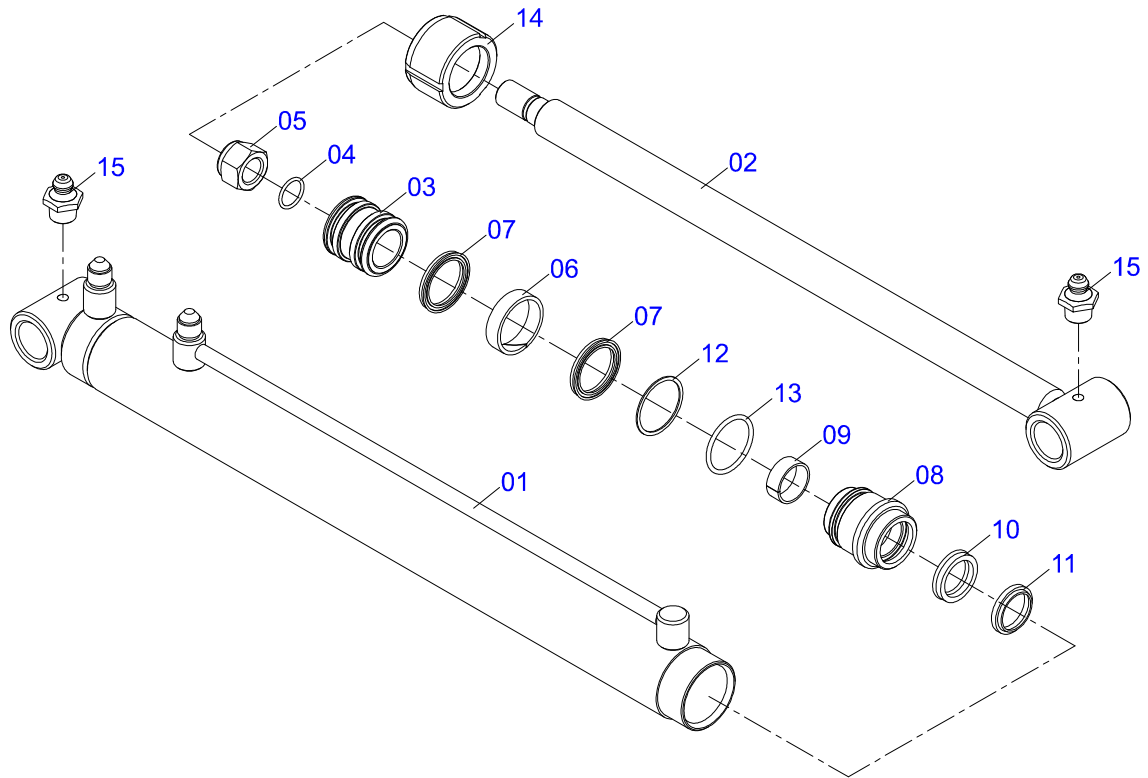
Item	Code	Description	QT
001	0521062552	DRIVER SUPPORT	01
002	0503032594	30 X 13 X 19 PLUG	08
003	0503013438	3/4 UNC X 1.3/4 C A P Q G.2 BOLT	02
004	0503010023	SPRING WASHER	02
005	0503010014	3/4" NUT	02
006	0501010322	FLAT WASHER	02



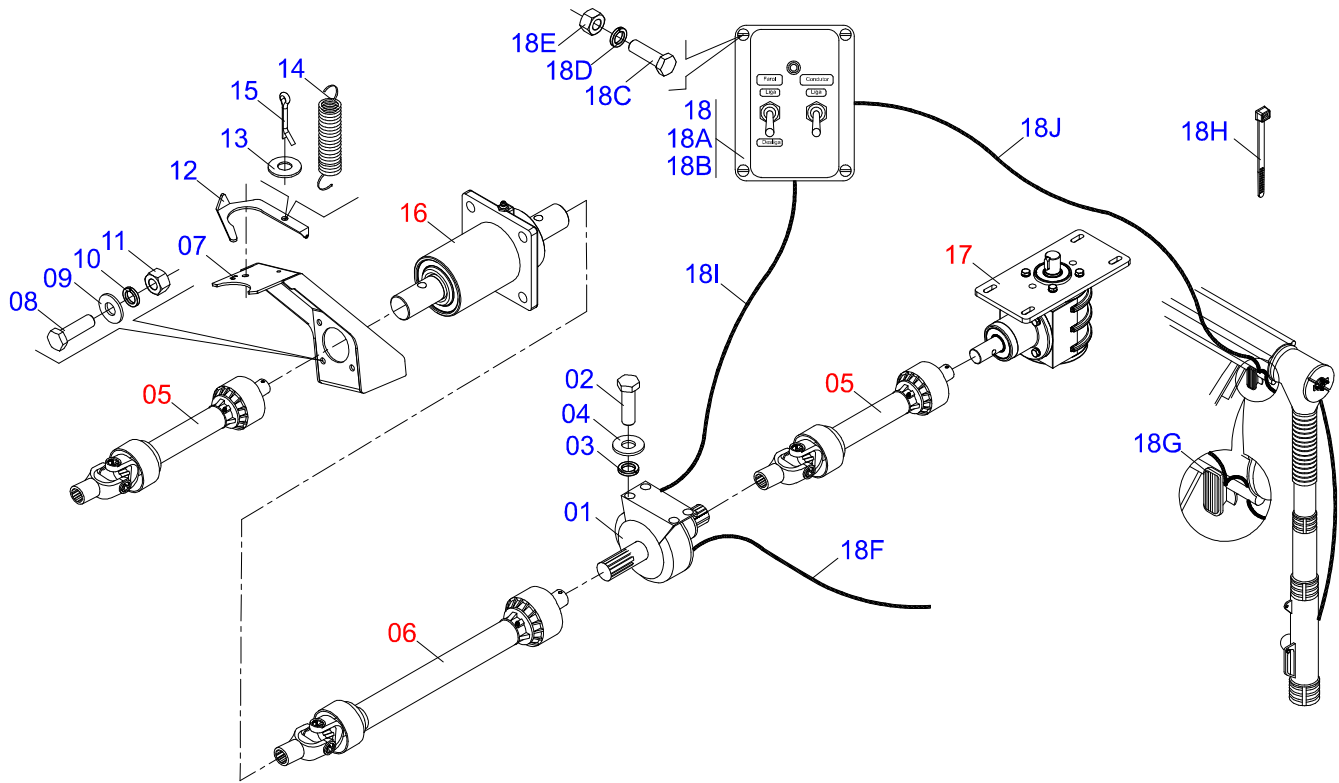
Item	Code	Description	QT
001	0503032442	FERTILIZER DISCHARGE SOCKET	01
002	0503032419	HOSE	01
003	0503013626	CLAMP 178 TO 197	02
004	0503062005	CONDUCTOR ASSY	01
005	0503013628	ELASTIC LUGGAGE RACK	02



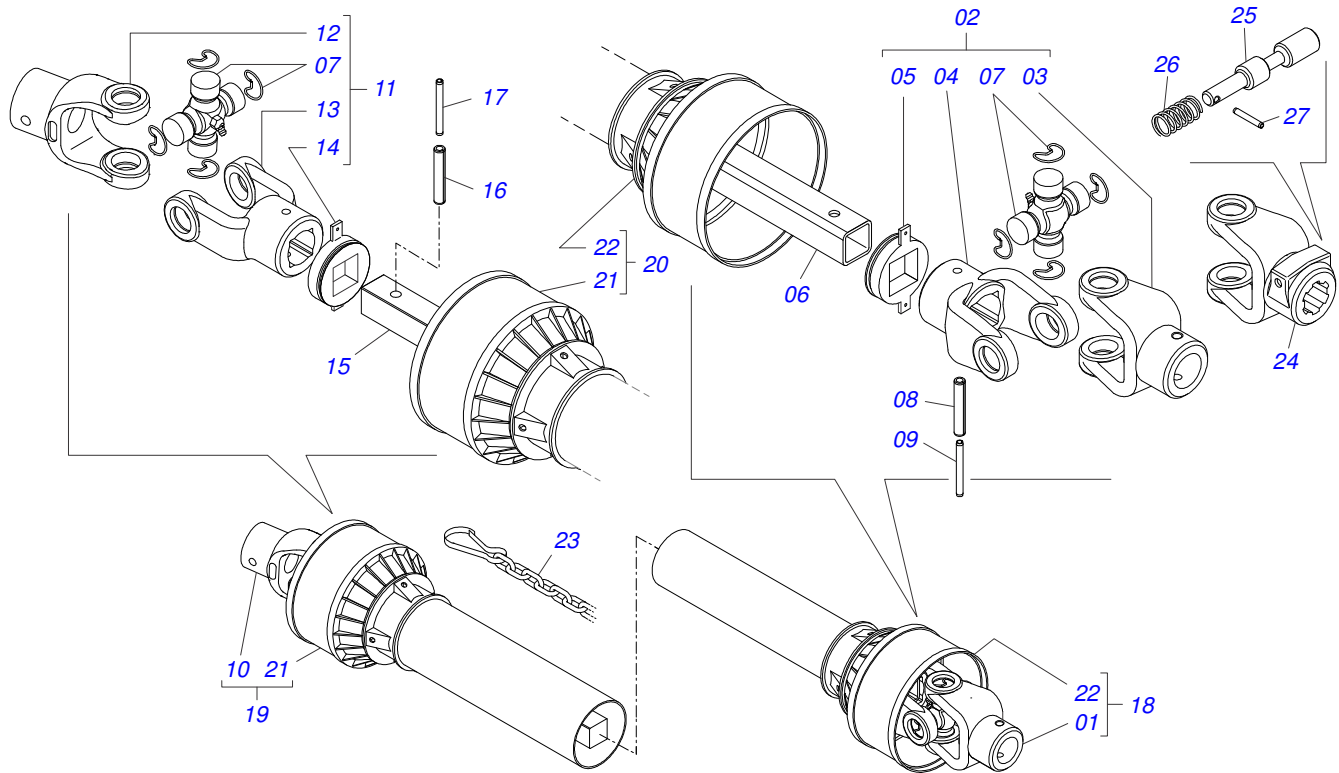
Item	Code	Description	QT
01	0501080700	3/8 X 650 TC-TC HOSE	01
02	0501080599	3/8 X 650 TC-TR HOSE	01
03	0501080640	3/8 X 7200 TC-TM HOSE	02
04	0501080844	3/8 X 5500 TC-TM HOSE	01
05	0501080898	3/8 X 5150 TC-TM HOSE	01
06	0503032411	HYDRAULIC CYLINDER	01
07	0511058223	HYDRAULIC CYLINDER	01
08	0503013622	VALVE ASSY	01
09	0503011968	T ADAPTOR WITH GIRAT	01
10	0501012109	3/4" X 9/16" NIPPLE	01
11	0511010111	7/8" NIPPLE	02
12	0503010045	2-116 N 3006-9B O-RING	01
13	0503011030	2-014 N 3006-9B O-RING	02



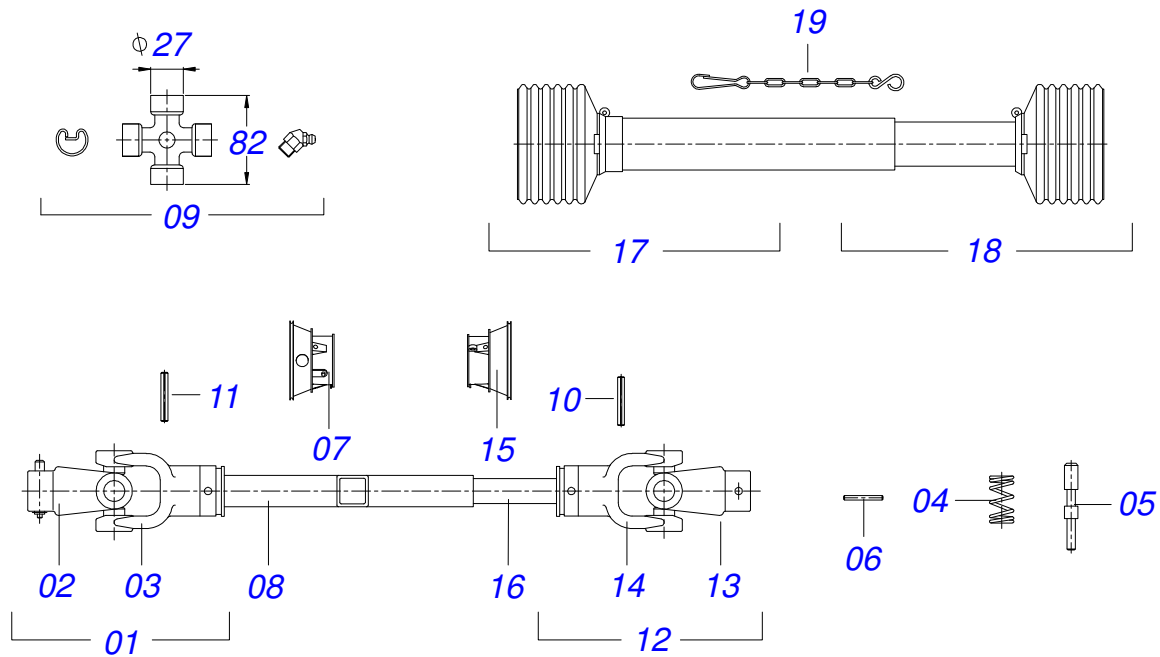
Item	Code	Description	QT
01	0511069777	CYLINDER CASE ASSY	01
02	0511069778	ROD CILINDER ASSY	01
03	0551019465	TCA 16000 PISTON	01
04	0503014677	2-118 O'RING	01
05	0503010812	7/8" SELF-ADJUSTING NUT	01
06	0503010949	W2-2000-500 PK RING G.E	01
07	0503013920	GASKET 1870-1625	02
08	0551019466	RING SUPPORT	01
09	0503014683	W1-1400-500 RING GUIDE	01
10	0503013914	1870-1250-312B GASKET	01
11	0503013915	D-1250 SCRAPER RING	01
12	0503013918	8-224 BACK-UP RING	01
13	0503013917	O'RING 2-224	01
14	0551016592	MOBILE COVER	01
15	0503010002	1800 GREASE FITTING	02
16	0501038643	ASSEMBLY	01



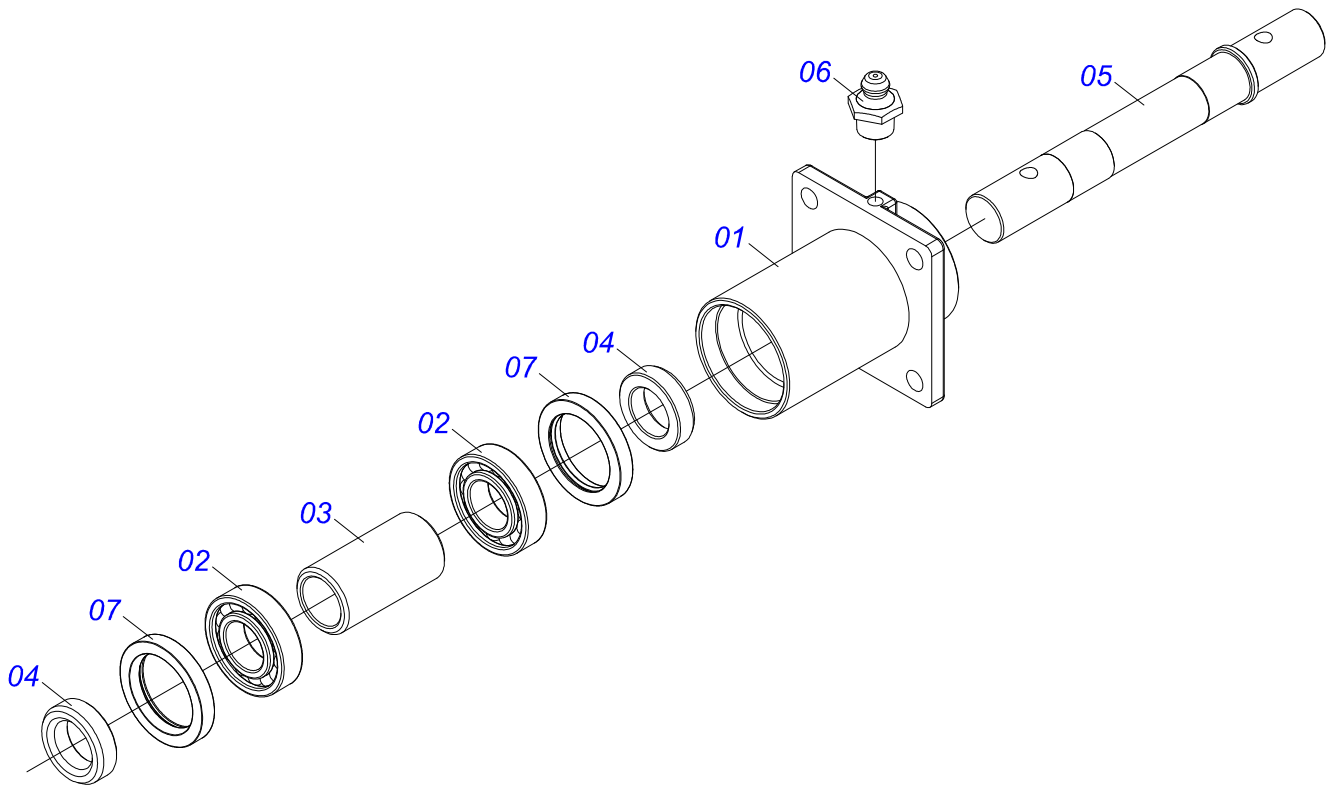
Item	Code	Description	QT
001	0503016352	CLUTCH BOX	01
002	0503010428	M12 X 1,75 X30 BOLT	04
003	0503011440	SPRING WASHER	04
004	0541012143	FLAT WASHER	04
005	0501048241	DRIVE SHAFT	02
006	0521040890	DRIVE SHAFT	01
007	0521062815	SUPPORT BEARING	01
008	0503010239	1/2" X 1-1/2" BOLT	04
009	0521014188	FLAT WASHER	04
010	0503010019	1/2" SPRING WASHER	04
011	0503010060	1/2" NUT	04
012	0541019756	CARDAN SMALLE FIXER	01
013	0511017302	FLAT WASHER	01
014	0503030198	0.6" X 2.4" X 0.1" EXTENSION SPRING	01
015	0503010257	1/8" X 1" COTTERPIN	01
016	0511050253	CARDAN TRANSMISSION HUB	01
017	0521040821	TRANSMISSION BOX	01
018	0511051947	HYDRAULIC CIRCUIT	01
018A	0503062398	CONTROL PANEL	01
018B	0571011421	SUPPORT BOX CONTROL	01
018C	0503011334	3/8" X 3/4" BOLT	02
018D	0503010025	3/8" SPRING WASHER	02
018E	0503010026	3/8" NUT	02
018F	0503062593	SWITCH CABLE	01
018G	0503062604	LIGHTHOUSE	01
018H	0503015056	NYLON CLAMP	20
018I	0503018699	WHIP	01
018J	0503018698	WHIP	01



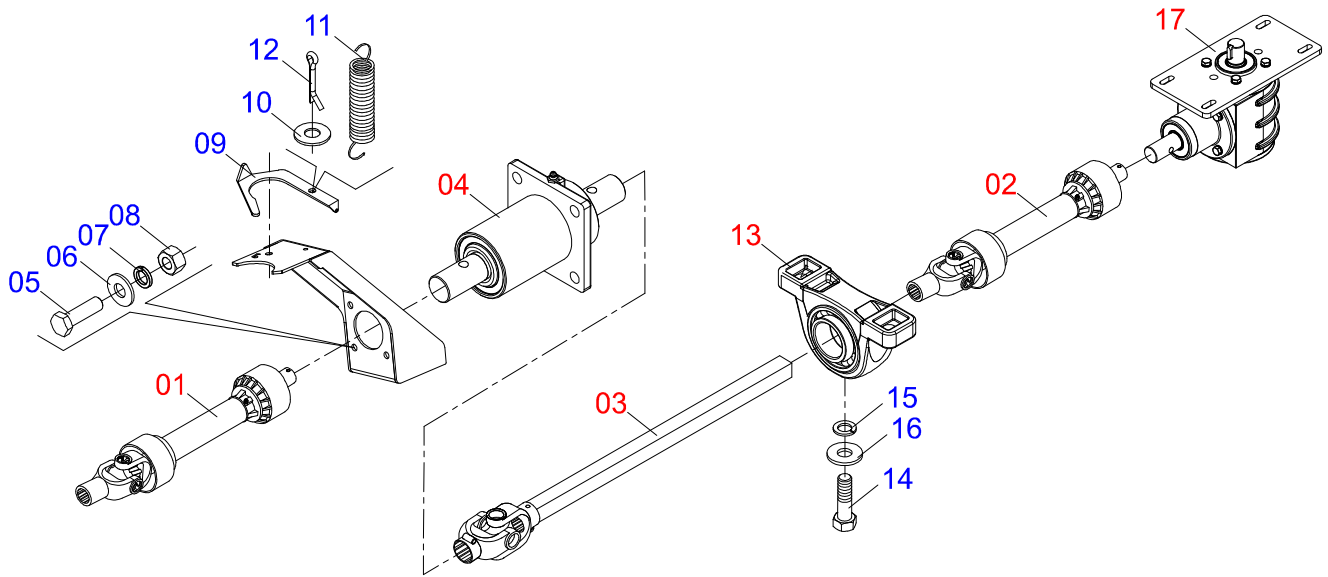
Item	Code	Description	QT
01	0501052176	SLEEVE UNIVERSAL JOINT	01
02	0501050265	UNIVERSAL JOINT	01
03	0501050333	1-40 TERMINAL WITH HITCH	01
04	0502010565	2-40 TERMINAL W/ SH 1.5"/1.5"	01
05	0503012069	ADAPTER FOR BUSHING PROTECT	01
06	0521013800	16" X 1.4" SQUARE SLEEVE	01
07	0503010836	CARDAN CROSSPIECE	02
08	0503011069	0.4" X 2.8" SPRING PIN	01
09	0503010510	0.2" X 2.6" SPRING PIN	01
10	0501052177	AXLE UNIVERSAL JOINT	01
11	0501052178	UNIVERSAL JOINT	01
12	0502011611	9-40 TERMINAL	01
13	0502010566	3-40 TERMINAL W/ SH 1.2"/1.2"	01
14	0503012070	ADAPTER FOR AXLE PROTECTION	01
15	0521013801	1.2" X 15.7" SQUARE SHAFT	01
16	0503010361	SPRING PIN	01
17	0503010756	0.2" X 2.4" SPRING PIN	01
18	0501052179	PROT/SLEEVE UNIVERSAL JOINT	01
19	0501052180	PROT/AXLE UNIVERSAL JOINT	01
20	0503012277	PROTECTION ASSY	01
21	0503012279	PROTECTION FOR UNIV JOINT AND AXLE	01
22	0503012278	PROTECTION FOR UNIV JOINT SLEEVE	01
23	0503012023	CHAIN FOR UNIV JOINT PROTECTION	02
24	0502010563	1-40 STRIATED 1.3/8" TERMINAL	01
25	0521010638	0.5" X 3.3" QUIC HITCH COUPL SHAFT	01
26	0503030518	0.5"X1.0"X 0.1" COMPRESSION SPRING	01
27	0503010838	0.1" X 0.8" SPRING PIN	01



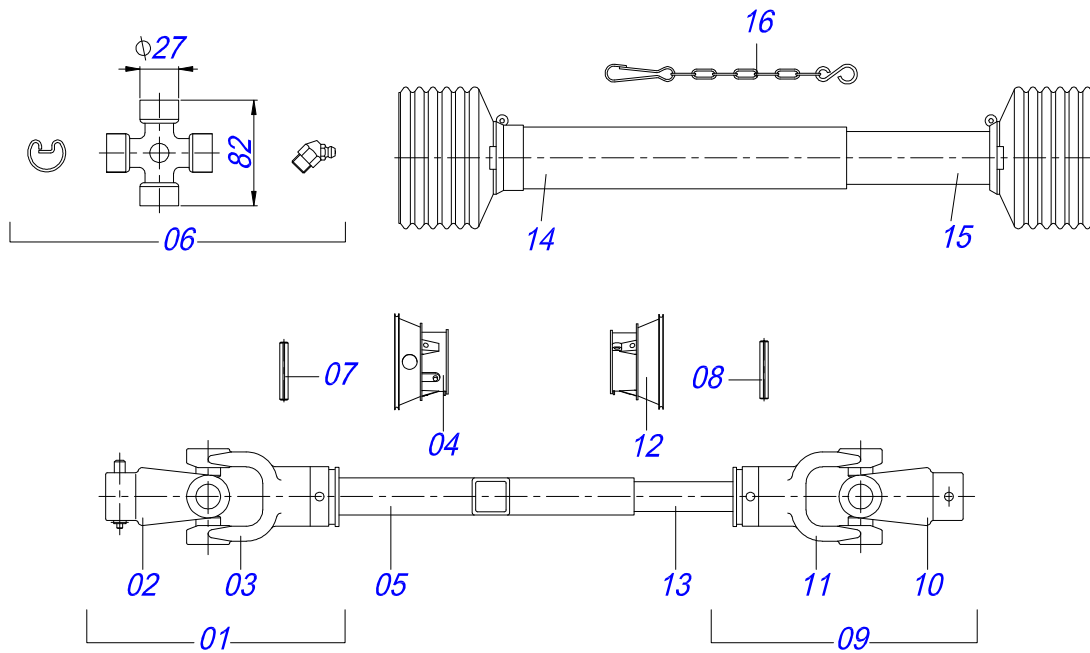
Item	Code	Description	QT
01	0501050265	UNIVERSAL JOINT	01
02	0502010565	2-40 TERMINAL W/ SH 1.5"/1.5"	01
03	0502010563	1-40 STRIATED 1.3/8" TERMINAL	01
04	0503030518	0.5"X1.0"X 0.1" COMPRESSION SPRING	01
05	0521010638	0.5" X 3.3" QUIC HITCH COUPL SHAFT	01
06	0503010838	0.1" X 0.8" SPRING PIN	01
07	0503012069	ADAPTER FOR BUSHING PROTECT	01
08	0561019708	SLLEVE 36,80/36,90 X Q30,30/30,40 X 1200	01
09	0503010836	CARDAN CROSSPIECE	02
10	0503010841	SPRING PIN	01
11	0503010840	SPRING PIN	01
12	0501052178	UNIVERSAL JOINT	01
13	0502011611	9-40 TERMINAL	01
14	0502010566	3-40 TERMINAL W/ SH 1.2"/1.2"	01
15	0503012070	ADAPTER FOR AXLE PROTECTION	01
16	0561019707	SQUARE SHAFT	01
17	0503016173	FEMALE PROTECTION ASSY	01
18	0503016186	MALE PROTECTION ASSY	01
19	0503012023	CHAIN FOR UNIV JOINT PROTECTION	01



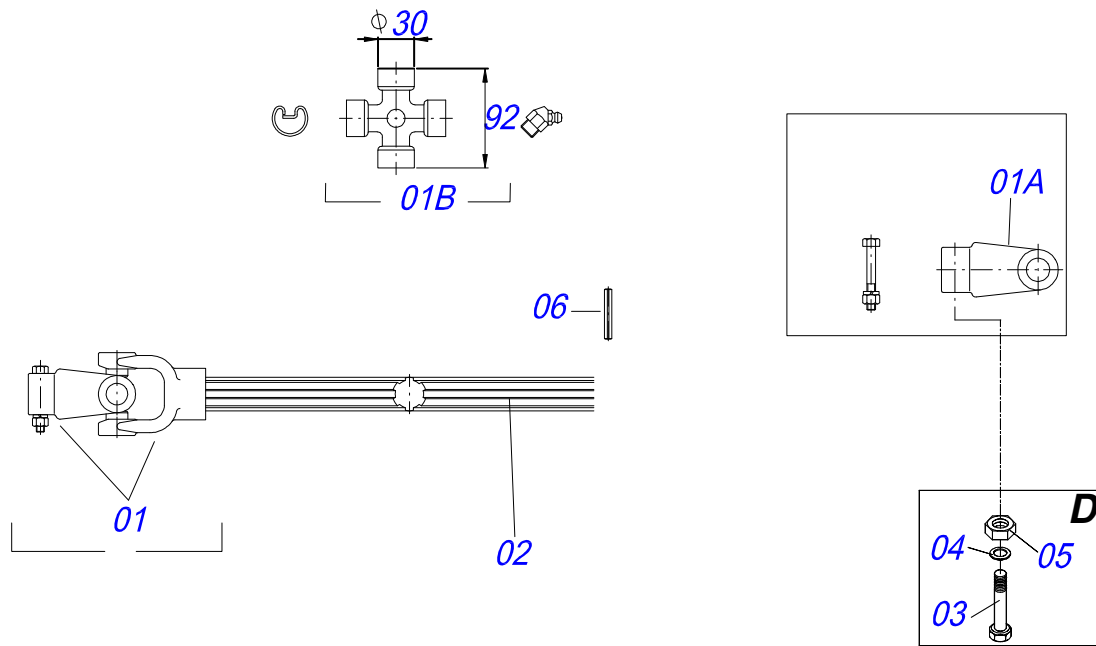
Item	Code	Description	QT
001	0571019515	TRANSMISSION SHAFT BOX	01
002	0503010276	6206 BALL BEARING	02
003	0511014701	1.19" X 1.63" X 3.11" BUSHING	01
004	0511014695	1.18" X " X 1.89" X 0.55" BUSHING	02
005	0561016932	TRANSMISSION AXLE	01
006	0503010002	1800 GREASE FITTING	01
007	0503010278	SEAL	02



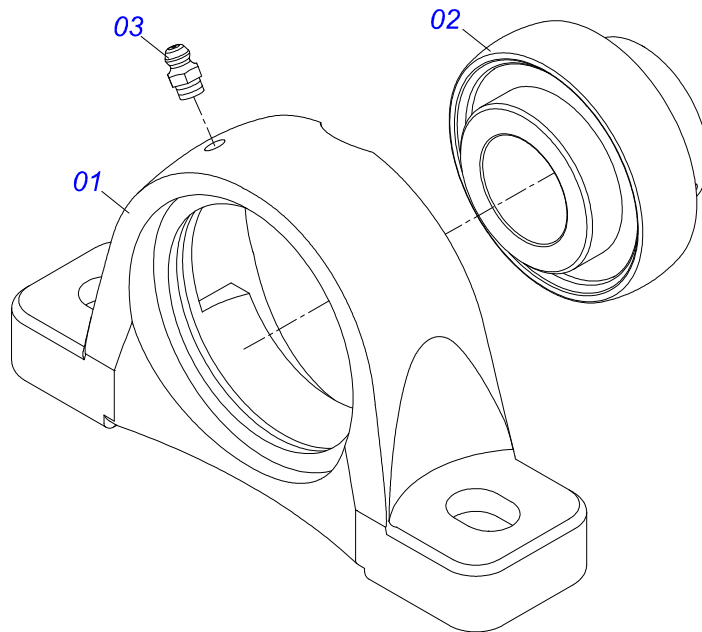
Item	Code	Description	QT
01	0501048241	DRIVE SHAFT	01
02	0521040860	DRIVE SHAFT	01
03	0511051899	UNIVERSAL JOINT	01
04	0511050253	CARDAN TRANSMISSION HUB	01
05	0503010239	1/2" X 1-1/2" BOLT	04
06	0521014188	FLAT WASHER	04
07	0503010019	1/2" SPRING WASHER	04
08	0503010060	1/2" NUT	04
09	0541019756	CARDAN SMALLE FIXER	01
10	0511017302	FLAT WASHER	01
11	0503030198	0.6" X 2.4" X 0.1" EXTENSION SPRING	01
12	0503010257	1/8" X 1" COTTERPIN	01
13	0511041213	AGRICULTURAL BEARING	01
14	0503010428	M12 X 1,75 X30 BOLT	02
15	0503011440	SPRING WASHER	02
16	0541012143	FLAT WASHER	02
17	0521040821	TRANSMISSION BOX	01



Item	Code	Description	QT
01	0511052906	UNIVERSAL JOINT	01
02	0502010565	2-40 TERMINAL W/ SH 1.5"/1.5"	01
03	0502011611	9-40 TERMINAL	01
04	0503012069	ADAPTER FOR BUSHING PROTECT	01
05	0501017427	20" X 1.5" SQUARE SLEEVE	01
06	0503010836	CARDAN CROSSPIECE	02
07	0503010841	SPRING PIN	01
08	0503010840	SPRING PIN	01
09	0501052178	UNIVERSAL JOINT	01
10	0502011611	9-40 TERMINAL	01
11	0502010566	3-40 TERMINAL W/ SH 1.2"/1.2"	01
12	0503012070	ADAPTER FOR AXLE PROTECTION	01
13	0501017423	1.2" X 19.6" SQUARE SHAFT	01
14	0503016173	FEMALE PROTECTION ASSY	01
15	0503016186	MALE PROTECTION ASSY	01
16	0503012023	CHAIN FOR UNIV JOINT PROTECTION	01



Item	Code	Description	QT
01	0511051860	UNIVERSAL JOINT	01
01A	0502011611	9-40 TERMINAL	02
01B	0503010836	CARDAN CROSSPIECE	01
02	0571011422	30,00 X 1.680 AXLE	01
03	0503011268	3/8" X 2-1/2" BOLT	03
04	0503010025	3/8 SPRING WASHER	03
05	0503010026	3/8" NUT	03
06	0503011877	0.3" X 2.4" SPRING PIN	01



Item	Code	Description	QT
01	0502011954	AGRICULTURAL HOUSING BEARING	01
02	0503011884	BALL BEARING	01
03	0503010691	1/4" GREASE FITTING	01

ANNOTATIONS

Lined area for annotations, featuring 24 horizontal lines within a rounded rectangular border.



email: civemasa@civemasa.com.br

www.civemasa.com.br

Phone: +55 16.3382.8222

Fax: +55 16.3382.8355

MARCHESAN IMPLEMENTOS E MÁQUINAS AGRÍCOLAS "TATU" S.A.

Av. Marchesan, 1979 - Post Office box, 131 - Cep 15994-900 - Matão - Sp - Brasil

CNPJ 52.311.289/0001-63 | Inst. Est.441.000.151.114

Technical Publications: Elaboration

ALESSANDRA PATRICIA KAWAHARA CARRILI

Technical Publications: Revision

ALESSANDRA PATRICIA KAWAHARA CARRILI

Contact Catálogo:

E-mail = jgaspari@marchesan.com.br

ORIGINAIS PARTS
CIVEMASA

civemasa