

# ***PARTS CATALOGUE***

## **ANIMAL DRAWN IMPLEMENTS**

**ECHC 2200\_3000\_4200**

**Code: 0501091914**



**Series: S-1097**

**Review: AGOSTO/2017**

**ORIGINAL PARTS  
CIVEMASA**

***civemasa***

# PRODUCTS

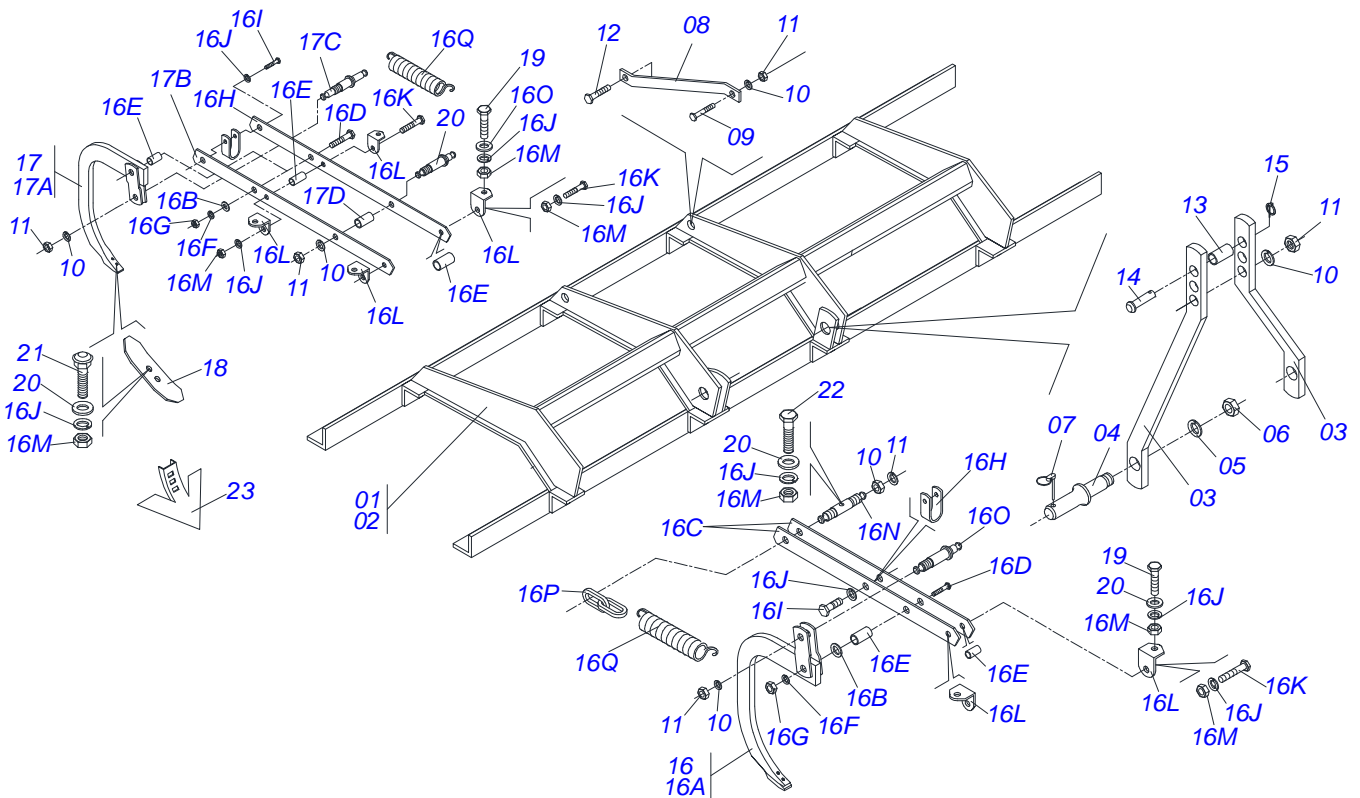
Code	Description
0120920004	ECHC 5 2200 61400019 S-1097
0120920002	ECHC 7 61400029 S - 1097
0120920005	ECHC 9 3000 61400038 S-1097
0120920003	ECHC 11 61400047 S-1097
0120920006	ECHC 13 3000 61400056 S-1097
0120920007	ECHC 15 4200 61400065 S-1097
0120920008	ECHC 17 4200 61400074 S-1097
0120920009	ECHC 19 4200 61400083 S-1097
0120920001	ECHC 21 4600 61400092 S - 1097

## ATTENTION: **IMPORTANT**

*CIVEMASA RESERVES THE RIGHT AT ANY TIME TO MAKE IMPROVEMENTS IN THE DESIGN, MATERIAL OR SPECIFICATIONS OF MACHINERY, EQUIPMENT OR PARTS WITHOUT THEREBY BECOMING LIABLE TO MAKE SIMILAR CHANGES IN MACHINERY, EQUIPMENT OR PARTS PREVIOUSLY SOLD.*

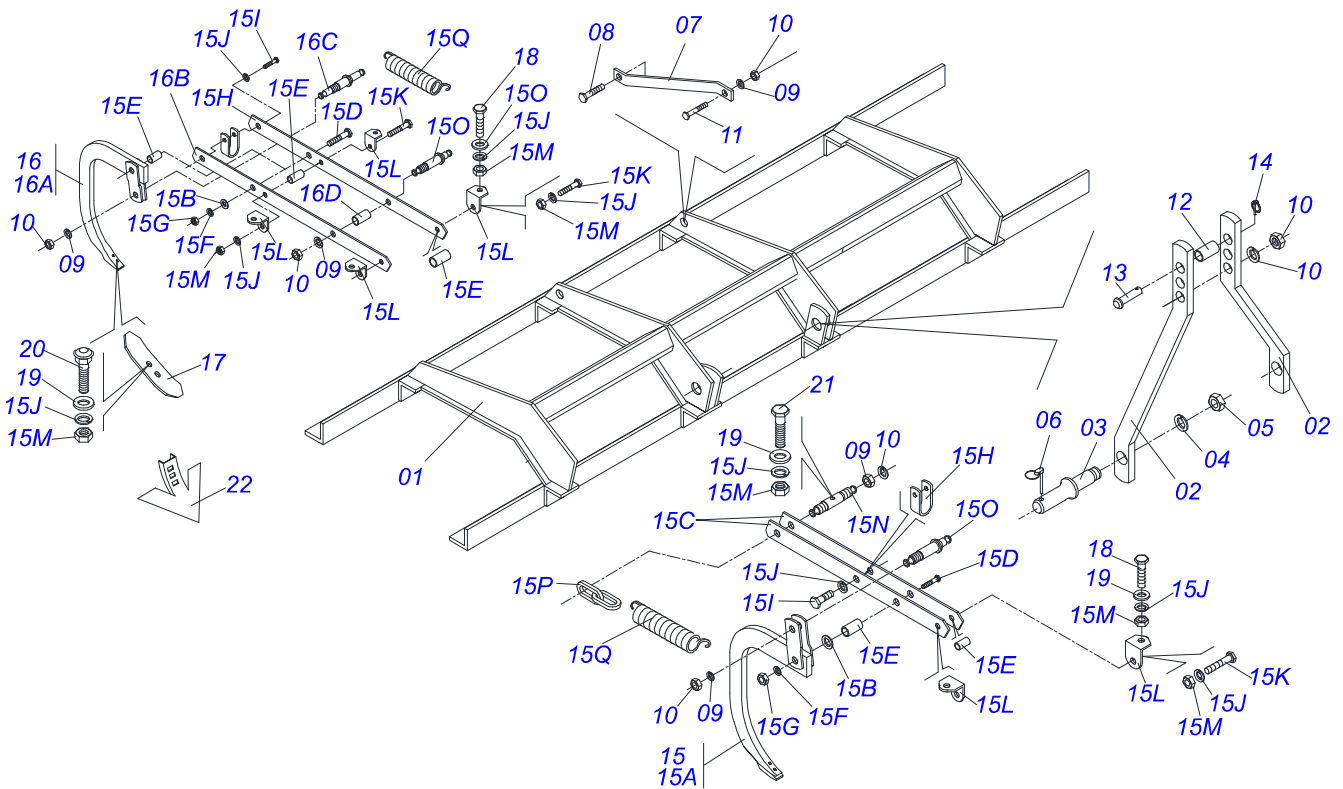
# INDEX

0909090440	MOUNTED FIELD CULTIVADOR	.....	1
0909090468	MOUNTED FIELD CULTIVADOR	.....	2



Item	Code	Description	05	07	09	11	13
01	0501065748	87" FRAME ECH 5,7	01	01	00	00	00
01.	0511067674	2700 ECH 9 FRAME	00	00	01	00	00
02	0501065587	118" FRAME ECH 9,11,13	00	00	01	01	01
03	0501010410	SEMI CAB	02	02	02	02	02
04	0501010641	2" X 6.4" DRAWBOLT	02	02	02	02	02
05	0503010012	1" SPRING WASHER	02	02	02	02	02
06	0503010340	1" NUT	02	02	02	02	02
07	0503030430	7/16 X 2" PIN LOCK	02	02	02	02	02
08	0511011080	ATTACHMENT BAR	02	02	02	02	02
09	0501010098	HEX BOLT 3/4 UNC X 2 C S G.5 ZN	02	02	02	02	02
10	0503010023	SPRING WASHER	07	07	07	07	07
11	0503010014	3/4" NUT	07	07	07	07	07
12	0503011198	C3/4" X 6" BOLT	01	01	01	01	01
13	0501010412	SPACING BUSHING	01	01	01	01	01
14	0521010579	COUPLING SHAFT	01	01	01	01	01
15	0503030085	LOCK PIN	01	01	01	01	01
16	0501047829	FRONT ARM ESC ASSY	03	04	05	06	07
16A	0501063356	FRONT SCARIFIER SPINDLE	01	01	01	01	01
16B	0501016249	FLAT WASHER	04	04	04	04	04
16C	0501016241	SIDE BAR	02	02	02	02	02
16D	0501013233	5/8" X 2-3/4" BOLT	02	02	02	02	02
16E	0501016248	0.8" X 0.6" X 1.6" BUSHING	05	05	05	05	05
16F	0503010027	SPRING WASHER	02	02	02	02	02
16G	0503010013	5/8" NUT	02	02	02	02	02
16H	0501016243	SPINDLE LIMITER	02	02	02	02	02
16I	0503010813	7/16" X 3/4" BOLT	04	04	04	04	04
16J	0503010180	7/16" SPRING WASHER	54	59	74	89	104
16K	0503010850	7/16" X 3" BOLT	03	03	03	03	03
16L	0501016246	SPINDLE FIXER	06	06	06	06	06
16M	0503010244	7/16" NUT	30	41	52	63	74
16N	0501016247	SPRING REAR FIXER	01	01	01	01	01
16O	0501016245	SPRING AXLE FRONT FIXER	02	02	02	02	02
16P	0503030353	8,00 CHAIN X 2 LINK	02	02	02	02	02

Item	Code	Description	05	07	09	11	13
16Q	0503030354	2" X 13" X 0.4" EXTENSION SPRING	04	04	04	04	04
17	0501047830	REAR ARM ESC ASSY	02	03	04	05	06
17A	0501063357	REAR SCARIFIER SPINDLE	01	01	01	01	01
17B	0501016252	SIDE BAR	02	02	02	02	02
17C	0501016251	SPRING AXLE CENTRAL FIXER	01	01	01	01	01
17D	0501016250	1.1" X 0.9" X 1.6" BUSHING	01	01	01	01	01
18	0624010014	POINT R7" P65G 11"X2"X5/16" POINT	05	07	09	11	13
19	0501011899	7/16" X 1-3/4" BOLT	20	28	36	44	52
20	0501012803	FLAT WASHER	20	28	36	44	52
21	0503011102	PARAFUSO 7/16 UNC X 1.1/4 C S G.5	14	20	26	32	38
22	0503011103	7/16" X 2-1/2" BOLT	03	04	05	06	07
23	0621011001	6" X 0.2" CULTIVATOR HOES	05	07	09	11	13



Item	Code	Description	15	17	19	21
01	0501065588	165" FRAME ECH	01	01	01	00
01.	0501065589	4600 ECH 21 FRAME	00	00	00	01
02	0501010410	SEMI CAB	02	02	02	02
03	0501010641	2" X 6.4" DRAWBOLT	02	02	02	02
04	0503010012	1" SPRING WASHER	02	02	02	02
05	0503010340	1" NUT	02	02	02	02
06	0503030430	7/16 X 2" PIN LOCK	02	02	02	02
07	0511011080	ATTACHMENT BAR	02	02	02	02
08	0501010098	HEX BOLT 3/4 UNC X 2 C S G.5 ZN	02	02	02	02
09	0503010023	SPRING WASHER	07	07	07	07
10	0503010014	3/4" NUT	07	07	07	07
11	0503011198	C3/4" X 6" BOLT	01	01	01	01
12	0501010412	SPACING BUSHING	01	01	01	01
13	0521010579	COUPLING SHAFT	01	01	01	01
14	0503030085	LOCK PIN	01	01	01	01
15	0501047829	FRONT ARM ESC ASSY	08	09	10	11
15A	0501063356	FRONT SCARIFIER SPINDLE	01	01	01	01
15B	0501016249	FLAT WASHER	04	04	04	04
15C	0501016241	SIDE BAR	02	02	02	02
15D	0501013233	5/8" X 2-3/4" BOLT	02	02	02	02
15E	0501016248	0.8" X 0.6" X 1.6" BUSHING	05	05	05	05
15F	0503010027	SPRING WASHER	02	02	02	02
15G	0503010013	5/8" NUT	02	02	02	02
15H	0501016243	SPINDLE LIMITER	02	02	02	02
15I	0503010813	7/16" X 3/4" BOLT	04	04	04	04
15J	0503010180	7/16" SPRING WASHER	82	93	110	115
15K	0503010850	7/16" X 3" BOLT	03	03	03	03
15L	0501016246	SPINDLE FIXER	06	06	06	06
15M	0503010244	7/16" NUT	82	93	110	115
15N	0501016247	SPRING REAR FIXER	01	01	01	01
15O	0501016245	SPRING AXLE FRONT FIXER	02	02	02	02
15P	0503030353	8,00 CHAIN X 2 LINK	02	02	02	02
15Q	0503030354	2" X 13" X 0.4" EXTENSION SPRING	04	04	04	04

Item	Code	Description	15	17	19	21
16	0501047830	REAR ARM ESC ASSY	07	08	09	10
16A	0501063357	REAR SCARIFIER SPINDLE	01	01	01	01
16B	0501016252	SIDE BAR	02	02	02	02
16C	0501016251	SPRING AXLE CENTRAL FIXER	01	01	01	01
16D	0501016250	1.1" X 0.9" X 1.6" BUSHING	01	01	01	01
17	0621010014	4" X 0.2" CULTIVATOR HOES	15	17	19	21
18	0501011899	7/16" X 1-3/4" BOLT	33	34	38	42
19	0501012803	FLAT WASHER	33	34	38	42
20	0503011102	PARAFUSO 7/16 UNC X 1.1/4 C S G.5	44	50	56	62
21	0503011103	7/16" X 2-1/2" BOLT	08	09	10	11
22	0621011001	6" X 0.2" CULTIVATOR HOES	15	17	19	21

# ANNOTATIONS

Lined area for annotations.





email: [civemasa@civemasa.com.br](mailto:civemasa@civemasa.com.br)

[www.civemasa.com.br](http://www.civemasa.com.br)

Phone: +55 16.3382.8222

Fax: +55 16.3382.8355

## MARCHESAN IMPLEMENTOS E MÁQUINAS AGRÍCOLAS "TATU" S.A.

Av. Marchesan, 1979 - Post Office box, 131 - Cep 15994-900 - Matão - Sp - Brasil

CNPJ 52.311.289/0001-63 | Inst. Est.441.000.151.114

**Technical Publications: Elaboration**

JOSÉ DOMINGOS GASPARI

**Technical Publications: Revision**

JOSÉ DOMINGOS GASPARI

*Contact Catálogo:*

*E-mail = [jgaspari@marchesan.com.br](mailto:jgaspari@marchesan.com.br)*

**ORIGINAIS PARTS  
CIVEMASA**