

# PARTS CATALOGUE

## SUGAR CANE BILLET DISTRIBUTOR

**Code:**

0501091857

**Product:**

DMC - 2L / HITCH BALL / ADJUSTABLE GAUGE / SIE



**Series:**

S-0416

**Revision:**

00

**Revision Date:**

ABRIL/2017

A solid orange rectangular bar is positioned at the top left of the page, above the "PRODUCTS" heading.

# PRODUCTS

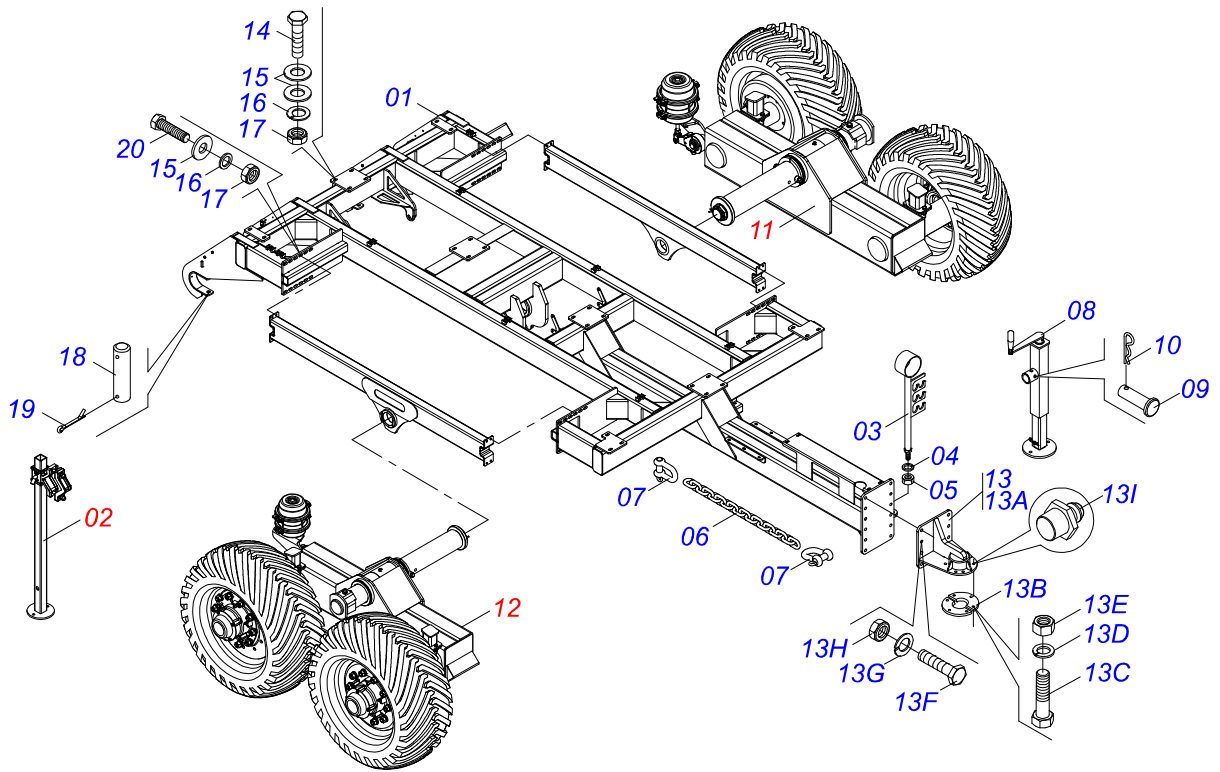
Code	Description	
0121430011	DMC 2L BOLA BIT REG SIE	S-0416

### ATTENTION: IMPORTANT

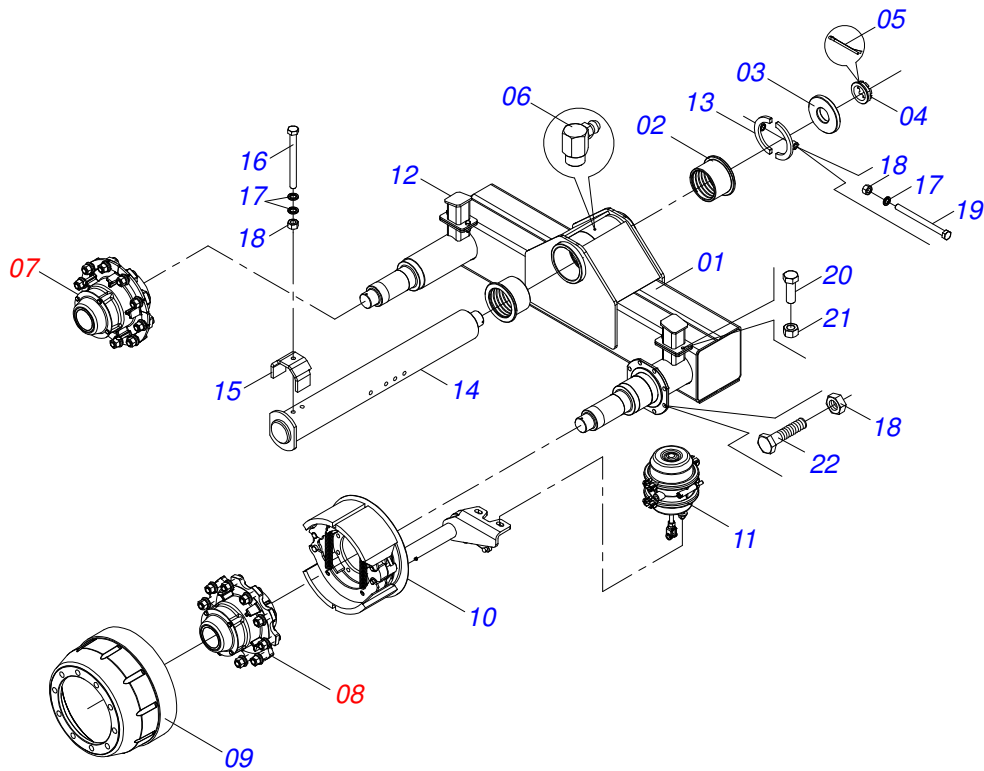
Civemasa reserves the right to improve and / or modify the technical features of its products, without obligation to do the same with those products already sold and without prior knowledge of the dealer or the consumer.

# INDEX

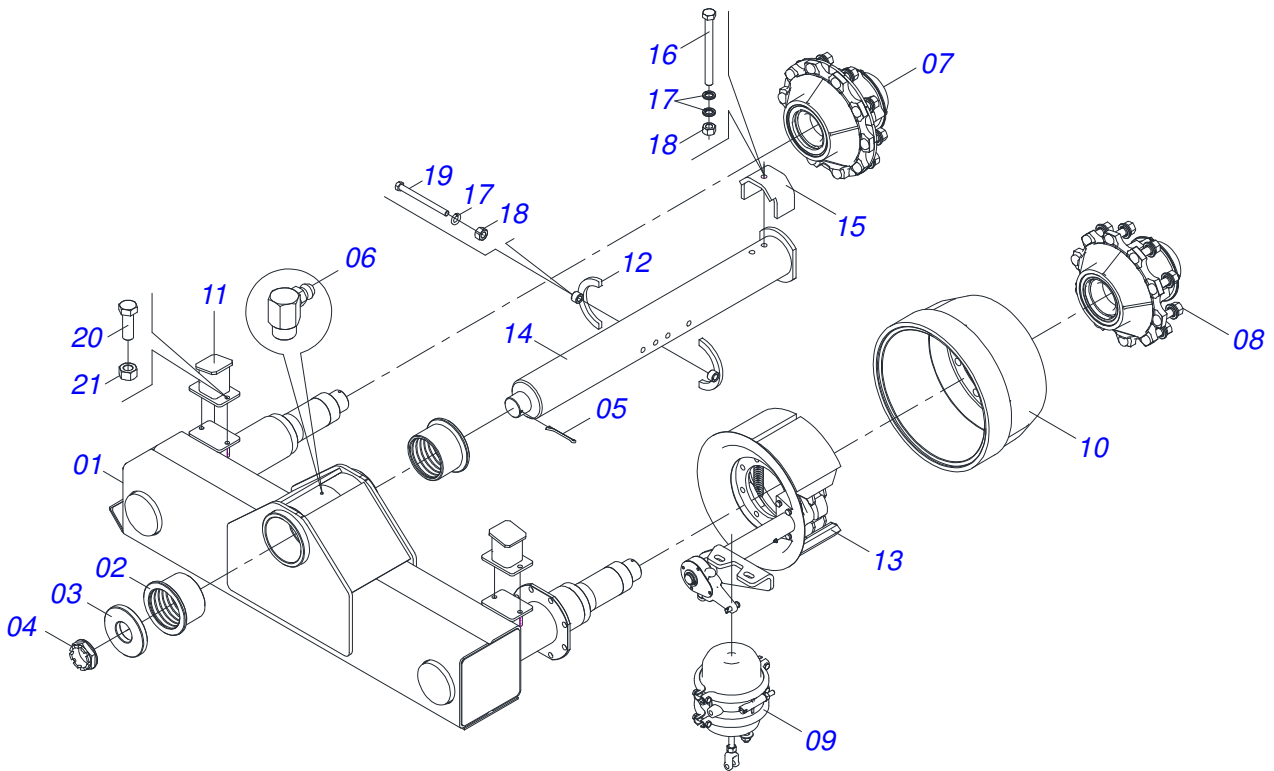
0909092460	FRAME	.....	1
0511057180	LEFT ROCKER ARM	.....	2
0511057179	RIGHT ROCKER ARM	.....	3
0511049567	DRAWBAR JACK	.....	4
0909092496	BOX	.....	5
0511059049	LADDER	.....	6
0909092497	MAT	.....	7
0909094661	MAT	.....	8
0511049915	COMPLETE REDUCTOR SEM FIM	.....	9
0511059301		.....	10
0511051313	HYDRAULIC SYSTEM	.....	11
0511059326	HYDRAULIC CYLINDER	.....	12
0511059449	SUPPORT	.....	13
0511051314	PNEUMATIC CIRCUIT	.....	14
0511051315	ELETRIC SYSTEM	.....	15



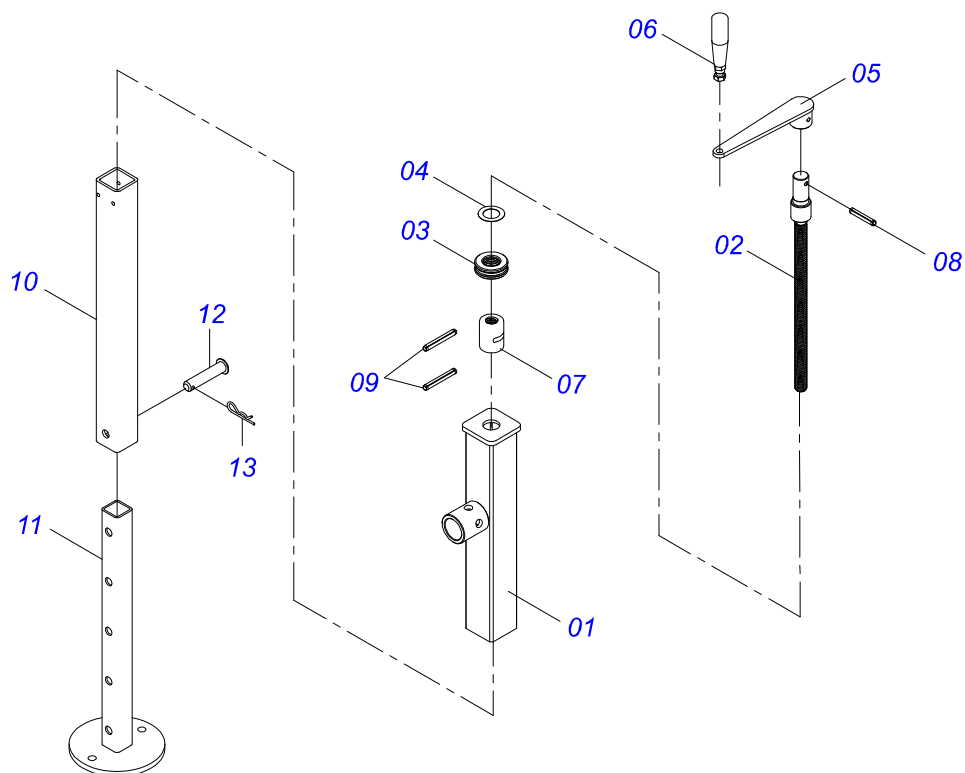
Item	Code	Description	See page	QT
01	0521067024	ADJUSTABLE FRAME		01
02	0511057190	PLOUGH SET		01
03	0521061379	HOSE HOLDER		01
04	0503010023	3/4" SPRING WASHER		01
05	0503010014	3/4" NUT		01
06	0503014120	CHAIN		01
07	0503014321	CABLE STEEL SHACKLE		02
08	0511049567	DRAWBAR JACK	4	01
09	0521010549	COUPLING SHAFT		01
10	0503030168	HAIR PIN		01
11	0511057180	LEFT ROCKER ARM	2	01
12	0511057179	RIGHT ROCKER ARM	3	01
13	0511049877	HITCH BALL FRONT		01
13A	0521062635	HITCH BALL FRONT		01
13B	0551016939	FLANGE BI-LEAVING		02
13C	0501010100	SCREW 5/8 UNC X 2 CS G.5 ZN		06
13D	0503010027	5/8" SPRING WASHER		06
13E	0503010013	5/8" NUT		06
13F	0501010125	3/4" X 2-1/2" BOLT		08
13G	0503010023	3/4" SPRING WASHER		08
13H	0503010014	3/4" NUT		08
13I	0503010002	1800 GREASE FITTING		01
14	0501010100	SCREW 5/8 UNC X 2 CS G.5 ZN		32
15	0501011299	FLAT WASHER		48
16	0503010027	5/8" SPRING WASHER		32
17	0503010013	5/8" NUT		32
18	0521010569	COUPLING SHAFT		02
19	0503010571	1/4" X 1.1/2 COTTERPIN		04
20	0503811243			16



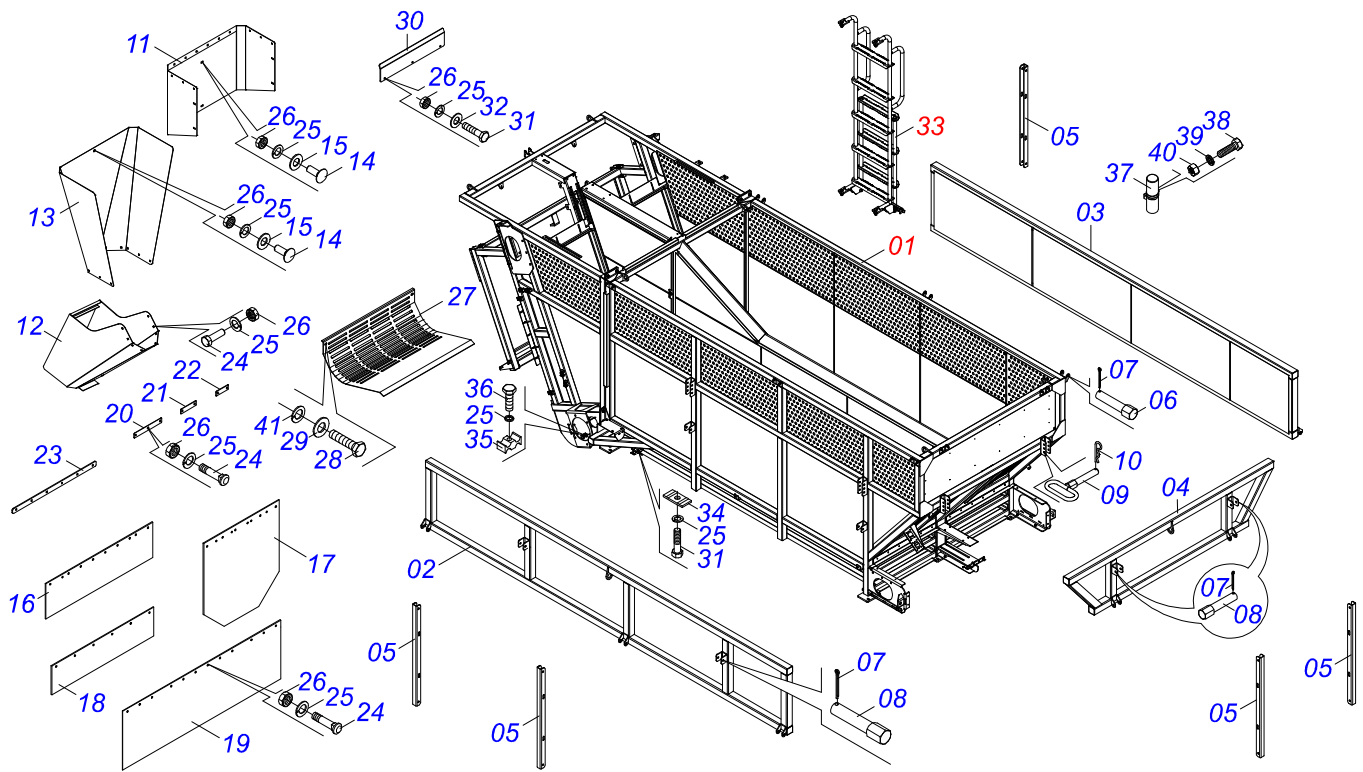
Item	Code	Description	See page	QT
001	0521062628	LEFT ROCKER ARM	01	
002	0531016429	BUSHING	02	
003	0551012036	FLAT WASHER	01	
004	0502040080	2.1/2" SLOTTED NUT	01	
005	0503012213	1/4" COTTERPIN	01	
006	0503010004	1890 GREASE FITTING	01	
007	0511048127	WHEEL HUB	01	
008	0511045858	WHEEL HUB ASSY WITH BRAKE	01	
009	0502020688	BRAKE DRUM	01	
010	0503014053	BREAK	01	
011	0503014056	SPRING BRAKE TUBE	01	
012	0521064957	BEATER BELL CRANK	02	
013	0521064956	SPACER FLANGE	02	
014	0521065982	PIVOT AXLE	01	
015	0571019012	LIMITER	01	
016	0501010422	BOLT 5/8 UNC X 6.1/2 CS G.5 ZN	01	
017	0503010027	5/8" SPRING WASHER	03	
018	0503010013	5/8" NUT	08	
019	0503012410	5/8" X 7.1/2" BOLT	01	
020	0503010920	1/2" X 1.1/2" BOLT	04	
021	0503010060	1/2" NUT	04	
022	0501010100	SCREW 5/8 UNC X 2 CS G.5 ZN	06	



Item	Code	Description	See page	QT
001	0521062627	RIGHT ROCKER ARM		01
002	0531016429	BUSHING		02
003	0551012036	FLAT WASHER		01
004	0502040080	2.1/2" SLOTTED NUT		01
005	0503012213	1/4" COTTERPIN		01
006	0503010004	1890 GREASE FITTING		01
007	0511048127	WHEEL HUB		01
008	0511045858	WHEEL HUB ASSY WITH BRAKE		01
009	0503014056	SPRING BRAKE TUBE		01
010	0502020688	BRAKE DRUM		01
011	0521064957	BEATER BELL CRANK		02
012	0521064956	SPACER FLANGE		02
013	0503014052	BRAKE		01
014	0521065982	PIVOT AXLE		01
015	0571019012	LIMITER		01
016	0501010422	BOLT 5/8 UNC X 6.1/2 CS G.5 ZN		01
017	0503010027	5/8" SPRING WASHER		03
018	0503010013	5/8" NUT		02
019	0503012410	5/8" X 7.1/2" BOLT		01
020	0503010920	1/2" X 1.1/2" BOLT		04
021	0503010060	1/2" NUT		04
022	0503010019	1/2" SPRING WASHER		04



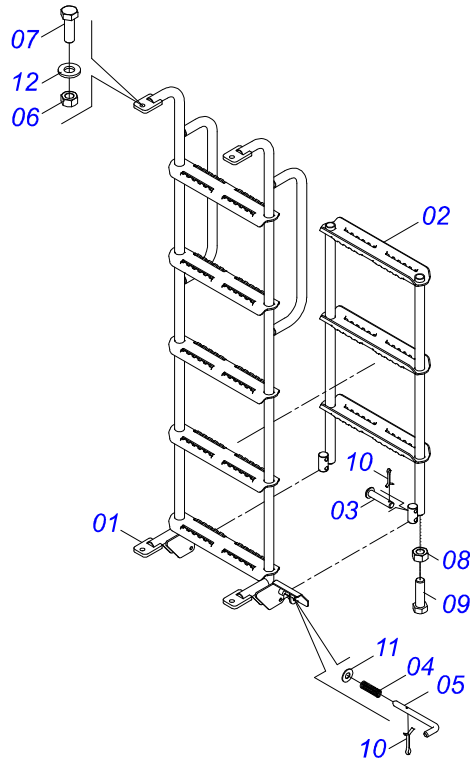
Item	Code	Description	See page	QT
01	0521063302	OUTER BODY DRAWBAR JACK		01
02	0521061082	JACK SPINDLE		01
03	0503013092	51305 BEARING		01
04	0511015346	FLAT WASHER		01
05	0521061081	HANDLE		01
06	0503011312	ROTATIVE CABLE		01
07	0502012604	ADJUSTMENT BUSHING		01
08	0503010561	SPRING PIN		01
09	0503010775	SPRING PIN		02
10	0561018938	1/2 TUBE		01
11	0521062376	BODY		01
12	0521010549	COUPLING SHAFT		01
13	0503030168	HAIR PIN		01



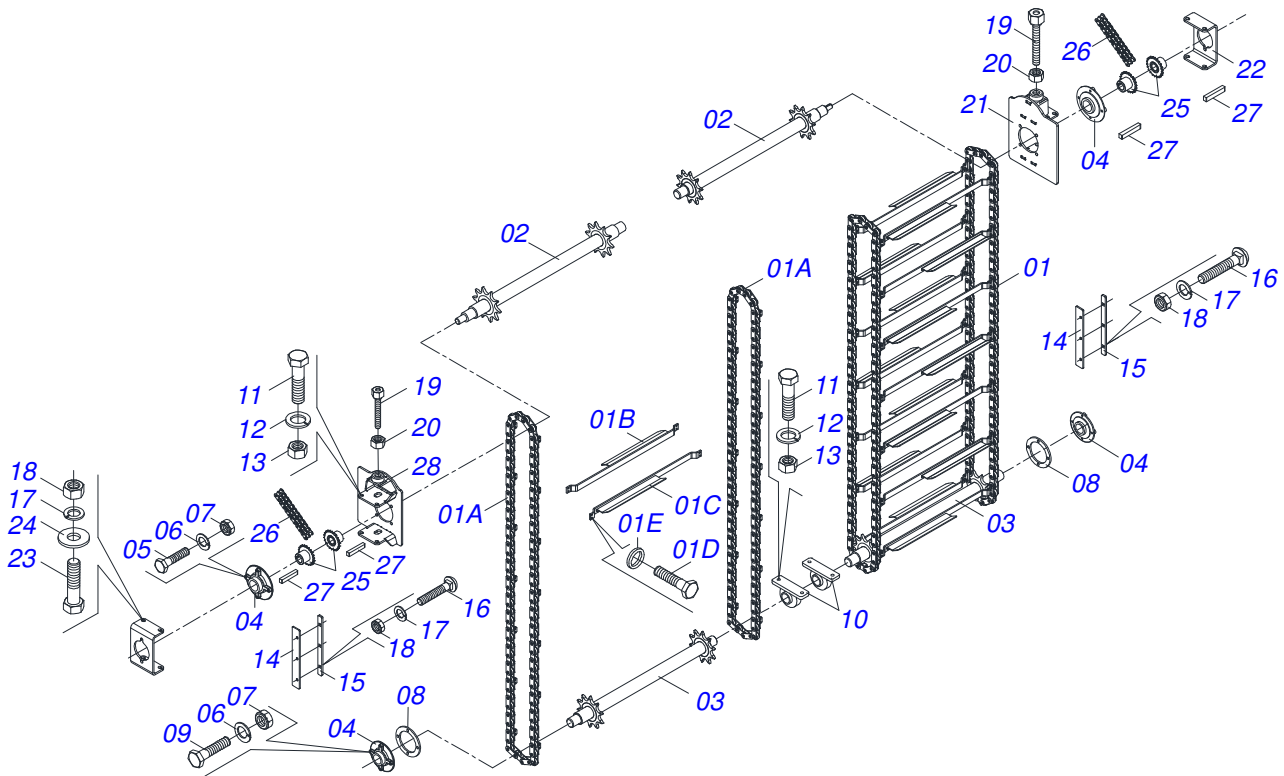
Item	Code	Description	See page	QT
01	0511059231	BUCKET		01
02	0521066910	RH DEFLECTOR		01
03	0521066909	LH DEFLECTOR		01
04	0521066908	FRONT DEFLECTOR		01
05	0561018919	FRENCH HAND		06
06	0561019838	PIVOT SHAFT		06
07	0503010778	1/8" X 1.1/2" COTTERPIN		12
08	0561019839	AXLE DISC		06
09	0521064587	AXLE DISC		06
10	0503030285	HAIR PIN		06
11	0571015232	UPPER DEFLECTOR		02
12	0521064586	LOWER DEFLECTOR		02
13	0571015229	CENTER DEFLECTOR		02
14	0501011643	3/8 X 1"BOLT		20
15	0501010984	FLAT WASHER		04
16	0571015250	RUBBER		02
17	0571015251	RUBBER		02
18	0561019842	RUBBER		02
19	0571015249	RUBBER		02
20	0571015230	FIXED PLATE		12
21	0571015248	FIXED PLATE		06
22	0571015252	FIXED PLATE		08
23	0561019189	SUPPORT		02
24	0501011643	3/8 X 1"BOLT		84
25	0503010025	3/8" SPRING WASHER		108
26	0503010026	3/8" NUT		90
27	0521062424	RESERVOIR		02
28	0503010395	1/2" X 1-1/4" BOLT		04
29	0511017302	FLAT WASHER		04
30	0561019142	EXTENSION		02
31	0503010237	3/8" X 1" BOLT		18



<b>Item</b>	<b>Code</b>	<b>Description</b>	<b>See page</b>	<b>QT</b>
32	0501010984	FLAT WASHER		06
33	0511059049	LADDER	6	01
34	0531011180	UPPER BODY CLIP		06
35	0502012702	BODY SUPPORT CLAMP		03
36	0503011135	BOLT		03
37	0503060100	OPERATOR'S MANUAL STORAGE TUBE		01
38	0503010371	5/16" X 1" BOLT		01
39	0503010179	5/16" ZN SPRING WASHER		01
40	0503010337	5/16" NUT		01
41	0503010019	1/2" SPRING WASHER		04

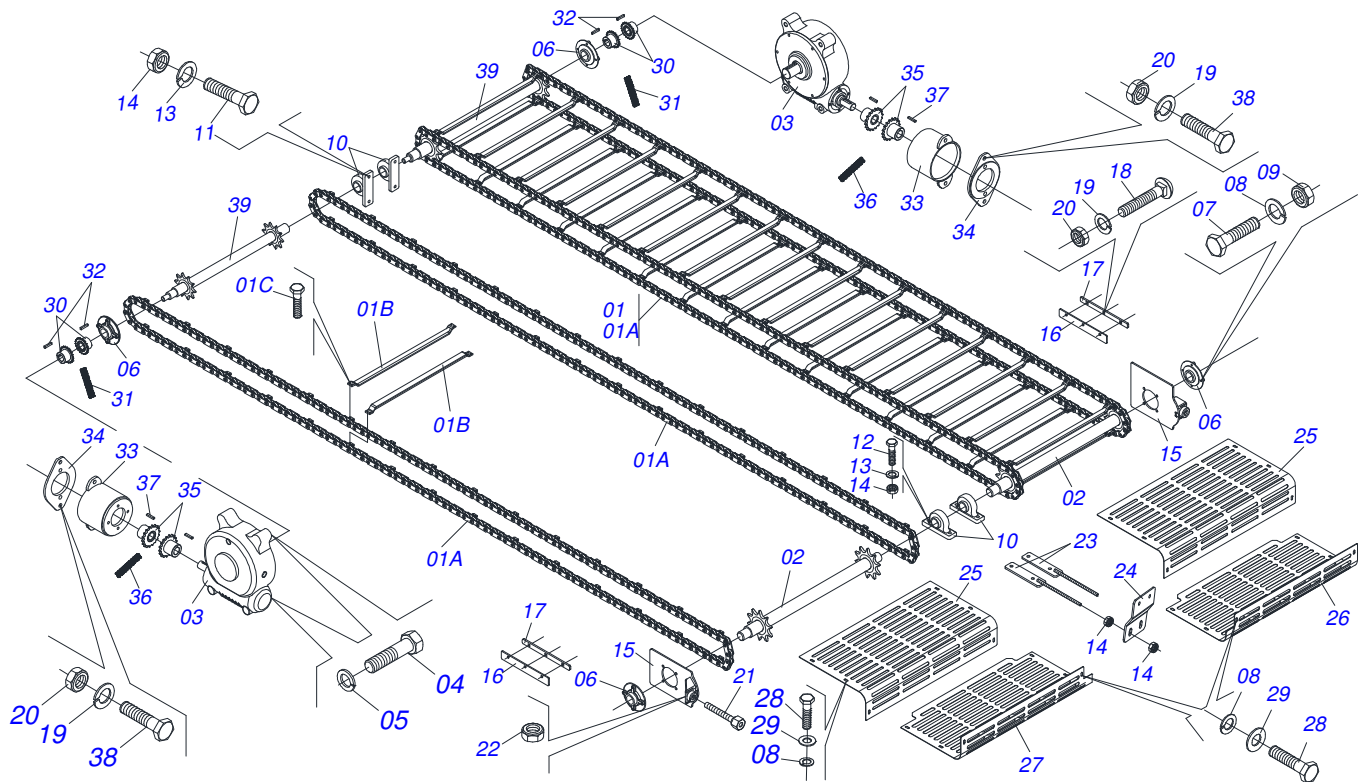


Item	Code	Description	See page	QT
001	0521066911	UPPER LADDER		01
002	0521066912			01
003	0561018197	COUPLING SHAFT		02
004	0503030190	0.5" X 1.6" X 0.05" SPRING		01
005	0581011580	LADDER LOCK PIN		01
006	0503011336	1/2" HEX SELF ADJUSTING NUT		04
007	0501010063	1/2" X 1-1/2" BOLT		04
008	0503010244	7/16" NUT		02
009	0503011135	BOLT		02
010	0503010257	1/8" X 1" COTTERPIN		03
011	0501013518	FLAT WASHER		01
012	0501010937	13.5 X 28 X 3 FLAT WASHER		04



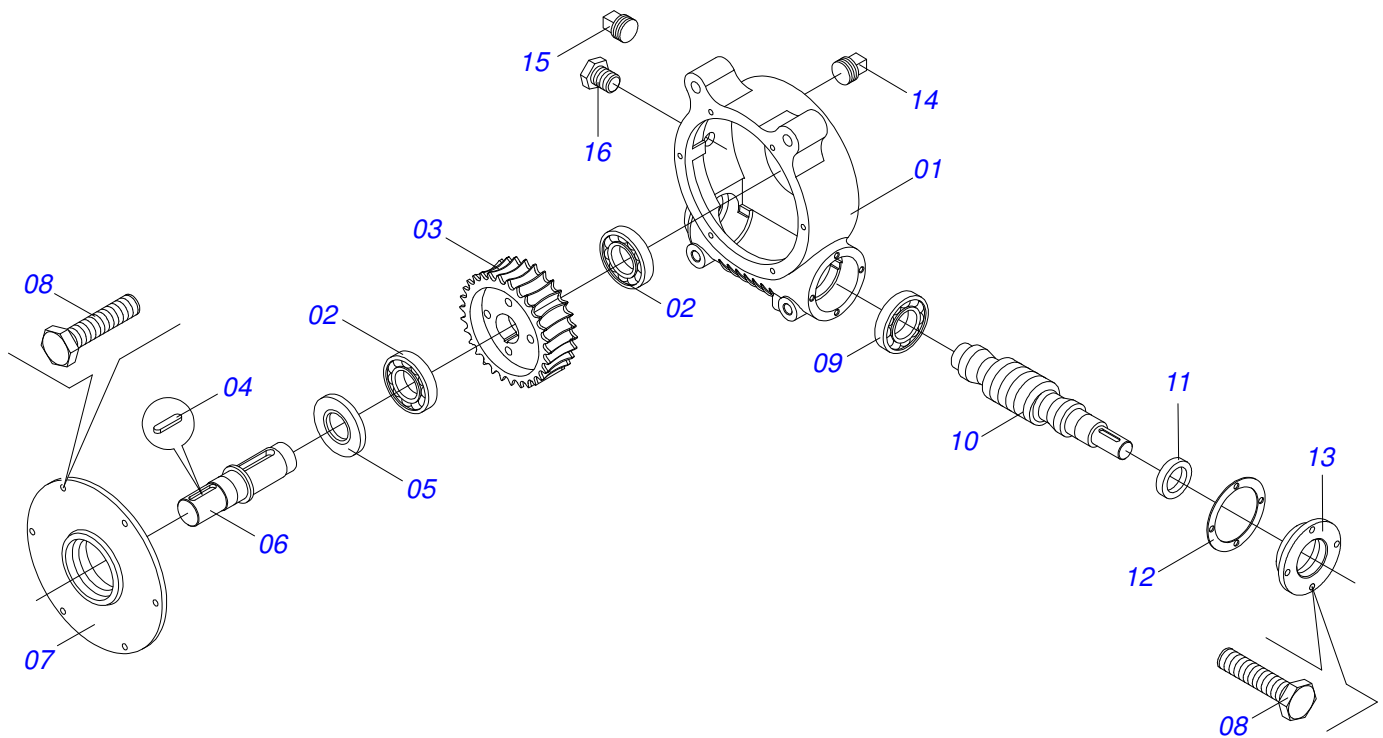
Item	Code	Description	See page	QT
01	0511051323	MAT		02
01A	0503016086	CHAIN		04
01B	0521062937	LEFT TALISCA		14
01C	0521062938	RIGHT TALISCA		14
01D	0571010185	BOLT		112
01E	0503010019	1/2" SPRING WASHER		112
02	0521067050	MOTOR AXLE ROLLER		02
03	0521062428	ROLLER		02
04	0503013156	BEARING WITH BALL		04
05	0503010849	3/8" X 1-1/2" BOLT		08
06	0503010025	3/8" SPRING WASHER		16
07	0503010026	3/8" NUT		16
08	0561019163	FLANGE		02
09	0501010096	3/8" X 2" BOLT		08
10	0503014504	ROLMAX BEARING ASSEMBLY WITH BEARING		02
11	0501010100	SCREW 5/8 UNC X 2 CS G.5 ZN		04
12	0503010027	5/8" SPRING WASHER		04
13	0503010013	5/8" NUT		04
14	0561019162	FIXER		02
15	0561019161	FIXER		02
16	0503014378	1/2" X 1-1/2" BOLT		06
17	0503010019	1/2" SPRING WASHER		10
18	0503010060	1/2" NUT		10
19	0521062423	VALVE		02
20	0541014898	NUT		02
21	0521062413	TENSIONER		01
22	0561019035	SUPPORT		01
23	0503010920	1/2" X 1.1/2" BOLT		04
24	0511017302	FLAT WASHER		04
25	0521062430	18Z GEAR		08
26	0503016087	CHAIN		01

<b>Item</b>	<b>Code</b>	<b>Description</b>	<b>See page</b>	<b>QT</b>
27	0503031031	1/4" KEYWAY SQUARE		02
28	0521067048	TENSIONER MAT		01

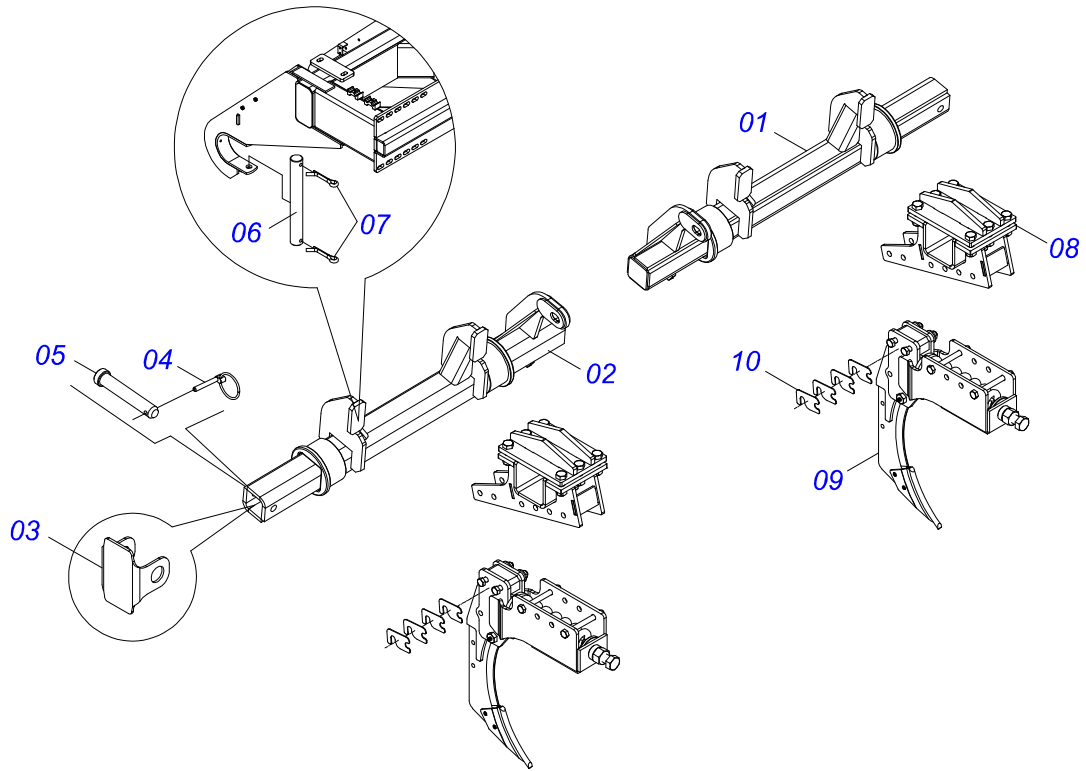


Item	Code	Description	See page	QT
01	0511056256	MAT		02
01A	0503016085	CHAIN		04
01B	0521065257	MAT TALISCA		56
01C	0571010185	BOLT		224
02	0521062428	ROLLER		02
03	0511049915	COMPLETE REDUCTOR SEM FIM	9	02
04	0503011167	M16 X 2 X 30 BOLT		08
05	0503010027	5/8" SPRING WASHER		08
06	0503013156	BEARING WITH BALL		04
07	0503010849	3/8" X 1-1/2" BOLT		16
08	0503010025	3/8" SPRING WASHER		40
09	0503010026	3/8" NUT		16
10	0503014504	ROLMAX BEARING ASSEMBLY WITH BEARING		04
11	0501010100	SCREW 5/8 UNC X 2 CS G.5 ZN		04
12	0503010899	5/8" X 2-1/4" BOLT		04
13	0503010027	5/8" SPRING WASHER		08
14	0503010013	5/8" NUT		12
15	0521062415	TENSIONER		02
16	0561019162	FIXER		02
17	0561019161	FIXER		02
18	0503014378	1/2" X 1-1/2" BOLT		06
19	0503010019	1/2" SPRING WASHER		10
20	0503010060	1/2" NUT		10
21	0521062423	VALVE		02
22	0541014898	NUT		02
23	0521062435	TENSIONER		02
24	0521062425	FIXED PLATE		01
25	0561019125	PROTECTION		02
26	0561019123	PROTECTION		01
27	0561019848	PROTECTION		01
28	0503010237	3/8" X 1" BOLT		24

<b>Item</b>	<b>Code</b>	<b>Description</b>	<b>See page</b>	<b>QT</b>
29	0501010984	FLAT WASHER		24
30	0521062436	22Z GEAR		04
31	0503015425	CHAIN		02
32	0501010536	KEYWAY SQUARE		04
33	0521062429	SPACER		02
34	0561019152	FLANGE		02
35	0521062430	18Z GEAR		04
36	0503016087	CHAIN		02
37	0503031031	1/4" KEYWAY SQUARE		04
38	0503014007	1/2" X 1-1/4" BOLT		04
39	0521062645	ROLLER		02

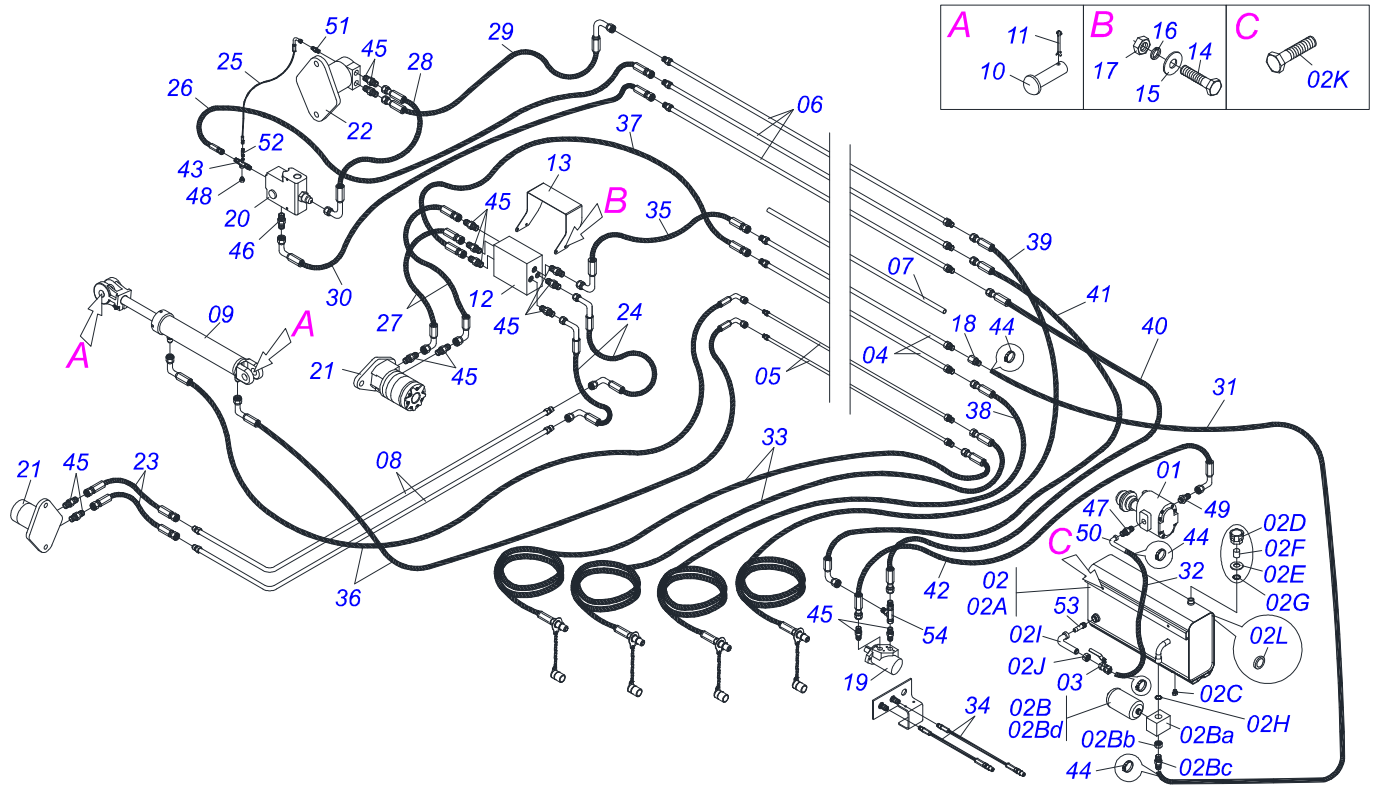


Item	Code	Description	See page	QT
01	0502011456	REDUCTION BOX		01
02	0503011095	6208 BALL BEARING		02
03	0501051774	38Z CROWN		01
04	0503011304	1/2" X 2.4" KEYWAY SQUARE		01
05	0503010818	02675-BRG SEAL		01
06	0561018956	GEAR AXLE		01
07	0502020556	LARGER COVER		01
08	0503010240	5/16" X 3/4" BOLT		10
09	0503010016	BEARING LM		02
10	0561018909	AXLE DISC		01
11	0503011171	00912-BRG SEAL		01
12	0503030981	102 X 75,5 X 0,10 JOINT		02
13	0502011457	SMALLER COVER		01
14	0521011023	PLUG		01
15	0503031604	1/2" BSP PLUG		01
16	0503010856	OIL PLUG		01



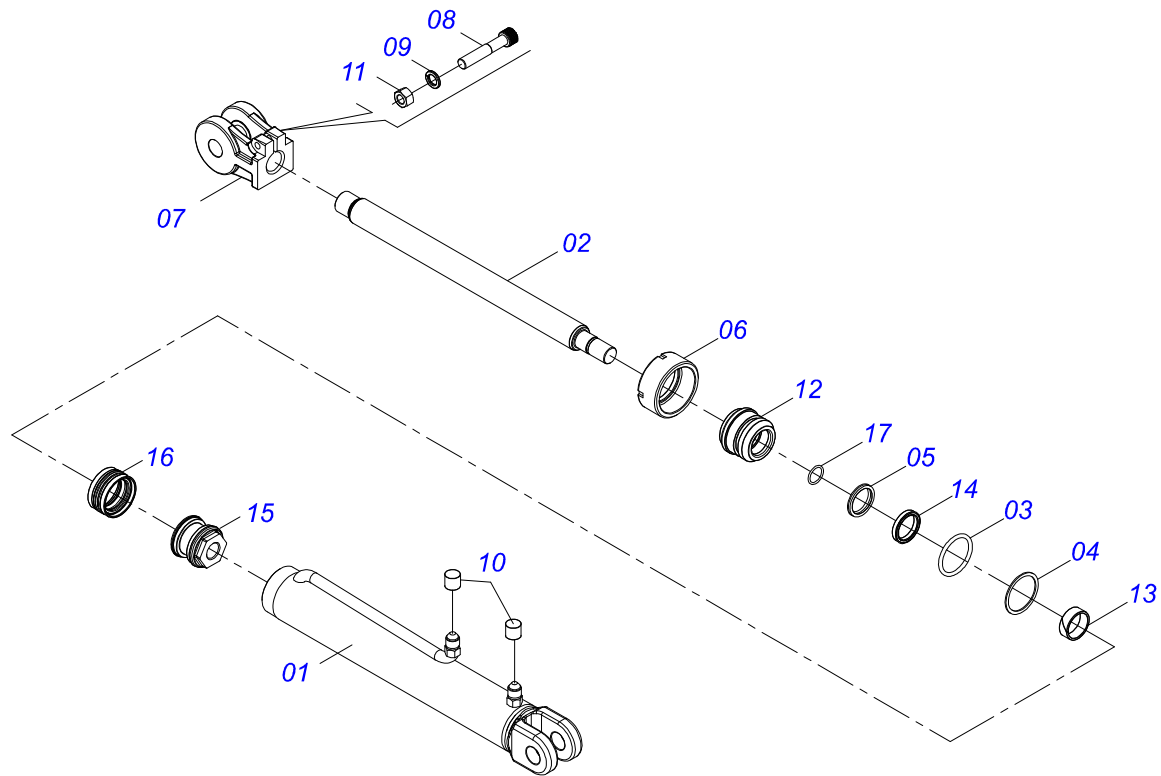
Item	Code	Description	See page	QT
001	0521067047			01
002	0521067046			01
003	0581012025			02
004	0503030085	LOCK PIN		02
005	0571018419			02
006	0521010569	COUPLING SHAFT		04
007	0503010571	1/4" X 1.1/2 COTTERPIN		08
008	0511058882	SCARIFIER SUPPORT		02
009	0511058879	ROD WITH ARM/DISARMMENT		02
010	0581012024	SPACING PLATE		08



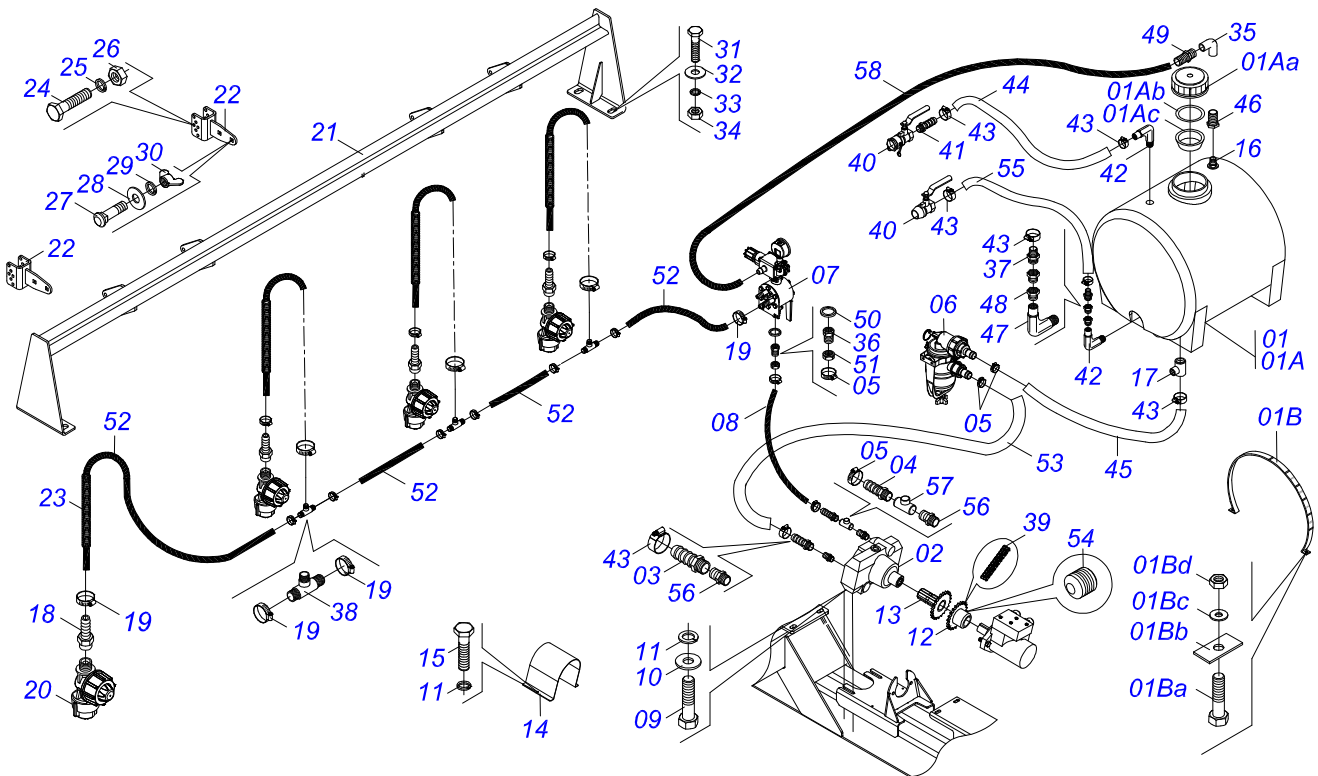


Item	Code	Description	See page	QT
01	0503061979	HYDRAULIC PUMP	01	01
02	0501056196	OIL RESERVOIR ASSY	01	01
02A	0511066554	RESERVOIR OIL	01	01
02B	0501041108	RETURNING FILTER ASSY	01	01
02Ba	0502050002	RETURNING FILTER HEAD	01	01
02Bb	0501010594	1" NUT	01	01
02Bc	0501010595	1" NF NIPPLE	01	01
02Bd	0503010183	RETURNING FILTER	01	01
02C	0503031604	1/2" BSP PLUG	01	01
02D	0502020472	FRONTAL COVER	01	01
02E	0501019236	FLAT WASHER	01	01
02F	0503030044	FILTERING ELEMENT	01	01
02G	0503010185	2-221 N 3006-9B O'RING	01	01
02H	0503010046	2-216 N 3006-9B O'RING	01	01
02I	0511062042	TANK OUTER TUBE	01	01
02J	0501016309	2" 1X 2.5/16" NUT	01	01
02K	0501010161	1/2" X 1.1/4" BOLT	06	06
02L	0503013689	VISOR OIL LEVEL	01	01
03	0503014250	BALL REGISTRATION 1. 1/4	01	01
04	0521062382	1.1/16 X 3780 HYDRAULIC TUBE	02	02
05	0521062653	R 3/4 UNF X 3780 DMC HYDRAULIC TUBE	02	02
06	0521062652	1.1/16 X 4520 DMC HYDRAULIC TUBE	03	03
07	0571014828	TUBE	01	01
08	0521062651	"L" 2140X540XR 1.1/16 UN HYDRAULIC TUBE	02	02
09	0511049587	HYDRAULIC CILINDER	01	01
10	0521010575	C0.9" X 3.3" COUPLING SHAFT	02	02
11	0503010571	1/4" X 1.1/2 COTTERPIN	02	02
12	0503016136	BLOCK COMMAND	01	01
13	0571010404	PROTECTION	01	01
14	0503016506	5/16 UNC X 3/4 C S G.5 ZN BOLT	04	04
15	0501010694	8.5 X 18 X 1.5 FLAT WASHER	04	04

Item	Code	Description	See page	QT
16	0503010179	5/16" ZN SPRING WASHER		04
17	0503010337	5/16" NUT		04
18	0571010837	POINT		01
19	0503016083	MOTOR		01
20	0503012160	VALVE		01
21	0503016082	MOTOR		02
22	0503015898	MOTOR		01
23	0501080031	HOSE 3/4 X 500 TR-TR		02
24	0501081373	3/4 X 550 TC-TC 90G HOSE		02
25	0501081136	1/4 X 1400 TR-TC HOSE		01
26	0501080176	3/4 X 800 TR-TR HOSE		01
27	0501081200	3/4 X 700 TR-TC HOSE		02
28	0501080019	3/4 X 1000 TR-TC HOSE		01
29	0501080028	3/4 X 1200 TR-TC HOSE		01
30	0501080869	3/4 X 750 TR-TC HOSE		01
31	0511013928	1 X 2500 AB-AB HOSE		01
32	0501013424	1.1/4 X 1200 AB-AB HOSE		01
33	0501080361	3/8" X 157" TR-TM HOSE		02
34	0501081717	1/2 X 3300 TM-TM HOSE		02
35	0501080258	TR-TC HOSE		01
36	0501081716	3/8 X 2000 TC - TC 90G HOSE		02
37	0501080235	3/4 X 850 TR-TR HOSE		01
38	0501080797	3/4 X 3000 TR-TM HOSE		01
39	0501081156	3/4 X 4000 TR-TM GH 781 HOSE		01
40	0501081215	3/4 X 1750 TR-TR HOSE		01
41	0501080023	3/4 X 1700 TR-TC HOSE		01
42	0501080762	3/4 X 3500 TR-TC HOSE		01
43	0503014834	ADAPTER		01
44	0503010184	CLAMP		04
45	0551011253	R1.1/16 JICX7/8 SAE S1.1/8X50 NIPPLE		14
46	0501010589	R. 1.1/16UN SEXT 1.1/4 X 52 NIPPLE		01
47	0541017401	R.1.5/8X12FPP X R.2X16FPPX61 NIPPLE		01
48	0551010235	COVER		01
49	0501011520	COVER		01
50	0511068047	OUTER TUBE		01
51	0551016884	NIPLE		01
52	0571015455	NIPLE		01
53	0511068181	TUBE		01
54	0503013534	ADAPTER T TEE		01

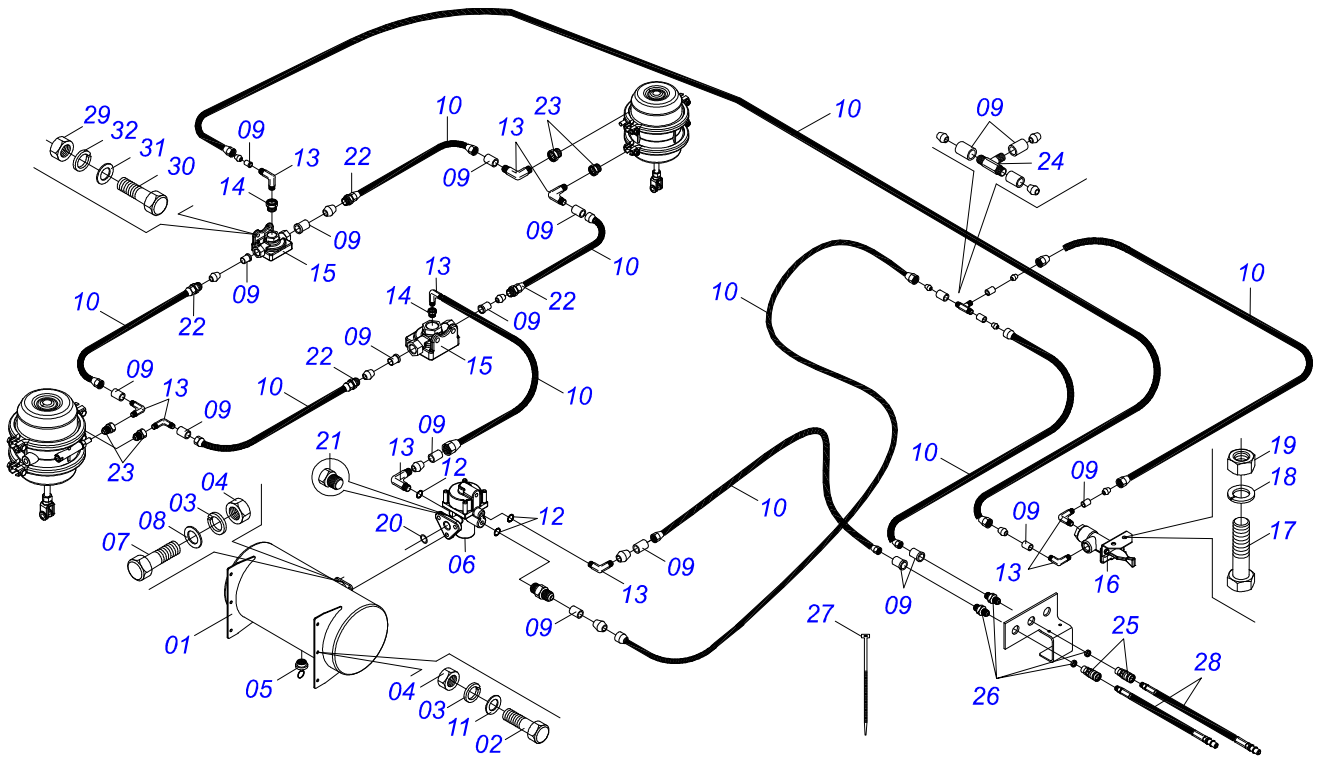


Item	Code	Description	See page	QT
001	0521067035	CYLINDER CASE		01
002	0581012005	TURNBUCKLE		01
003	0503010161	2-330 N 3006 9B O'RING		01
004	0503011058	8-330 BACK-UP RING		01
005	0503010163	D-1500 SCRAPER RING		01
006	0502010471	MOBILE COVER		01
007	0502040493	CLEVIS 26,50 R41		01
008	0503011094	3/8" X 2" BOLT		01
009	0503011443	3/8" SPRING WASHER		01
010	0503030385	CYLINDER PLUG N-002		02
011	0503010026	3/8" NUT		01
012	0571019866	RING SUPPORT		01
013	0503018004	RING		01
014	0503018003	GASKET		01
015	0502012837	PISTON		01
016	0503018005	RING		01
017	0503011109	2-119 N 3006-9B O'RING		01



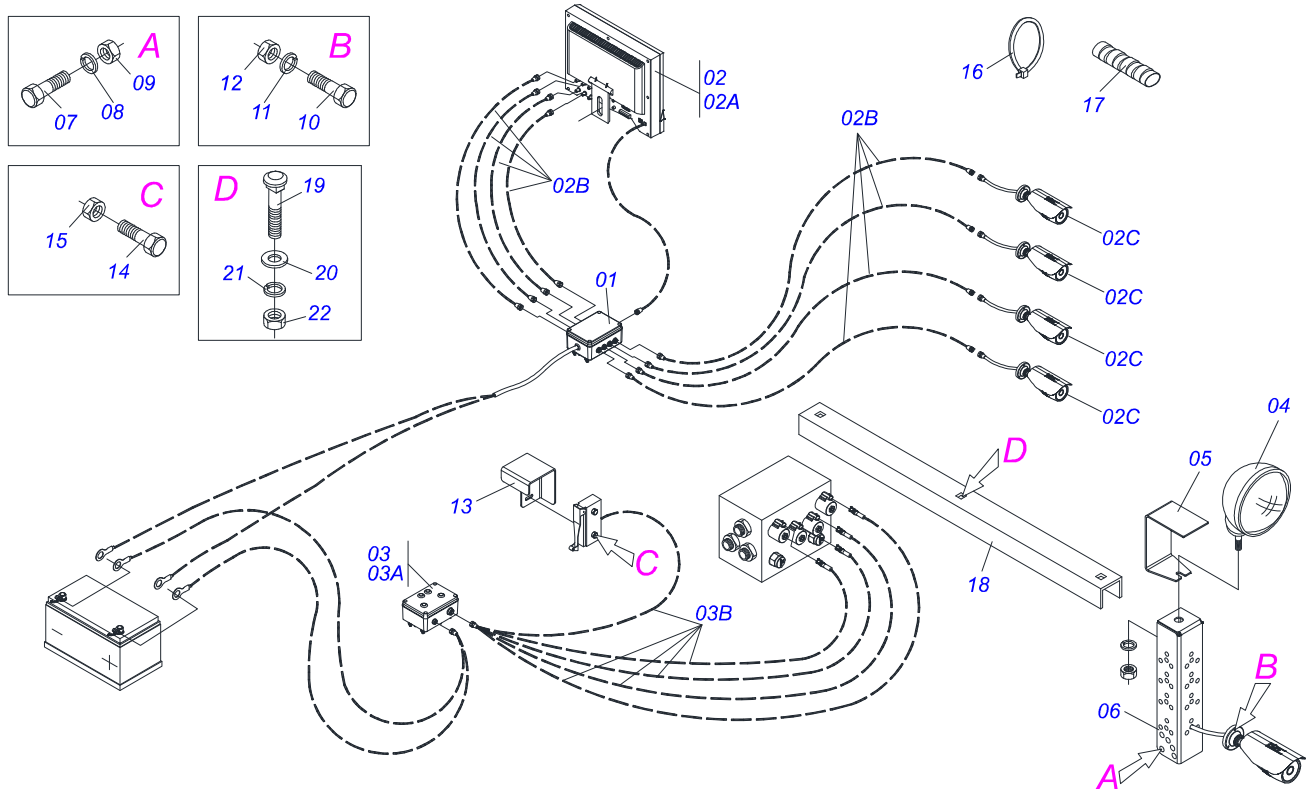
Item	Code	Description	See page	QT
01	0511059886			01
01A	0581012932	TANK		01
01Aa	0503017949	COVER TUBE		01
01Ab	0503017997	WHEEL		01
01Ac	0503017974	SCREEN NOZZLE TANK		01
01B	0503062395	ASSEMBLY		01
01Ba	0503010882	5/16" X 2" BOLT		02
01Bb	0503034246	TANK FIXER		02
01Bc	0501013687	FLAT WASHER		02
01Bd	0503010337	5/16" NUT		02
02	0503013907	PUMP		01
03	0503014261	POINT		01
04	0503014257	POINT		01
05	0503010184	CLAMP		04
06	0503013906	FILTER		01
07	0503013908	COMMAND JACTO		01
08	0551014211	HOSE		01
09	0503010365	NUT		04
10	0501010984	FLAT WASHER		04
11	0503010179	5/16" ZN SPRING WASHER		06
12	0521065844	COUPLING		01
13	0501078382	COUPLING		01
14	0551018434	PROTECTION		01
15	0503010371	5/16" X 1" BOLT		02
16	0503013967	3/4" PVC ADAPTER		01
17	0503016179	CONNECTION		01
18	0571014846	ANTI DRIP NIPLE		04
19	0503010296	CLAMP		14
20	0511059863	TIP ASSY WITH SPRAY		04
21	0521062649	SUPPORT		01
22	0521062419	FIXER		04

Item	Code	Description	See page	QT
23	0503014260	22 X 300 SPRING		04
24	0503010373	SCREW 1/4 UNC X 2 CS G.2 ZN		04
25	0503011441	SPRING WASHER		04
26	0503010144	1/4" NUT		04
27	0503011953	5/16" X 1" BOLT		08
28	0501010694	8.5 X 18 X 1.5 FLAT WASHER		08
29	0503010179	5/16" ZN SPRING WASHER		08
30	0503010499	5/16" UNC BUTTERFLY NUT		08
31	0503014007	1/2" X 1-1/4" BOLT		04
32	0511017302	FLAT WASHER		04
33	0503010019	1/2" SPRING WASHER		04
34	0503010060	1/2" NUT		04
35	0503013969	3/4 ELBOW THREAD		01
36	0571010261	HOSE COUPLING		01
37	0503013972	CONNECTION		01
38	0503015383	UNION		03
39	0503015425	CHAIN		01
40	0503014972	VALVE		02
41	0503014975	POINT		02
42	0503015352	KNEE		02
43	0503014284	CLAMP		06
44	0571013621	1.1/2 X 700 AB-AB HOSE		01
45	0571014742	1 X 800 AB-AB FLEX HOSE SPIRAL		01
46	0503013970	NIPPLE		01
47	0503013968	3/4 X 1 1G21769 NIPPLE		01
48	0571012216	ADAPTER		01
49	0503013975	HOSE COUPLING		01
50	0503013976	GASKET		01
51	0503013974	NUT		01
52	0561019869	HOSE		01
53	0571013303	1 X 1700 AB-AB FLEX HOSE SPIRAL		01
54	0503011136	1/2" X 1/2" CSI BOLT		01
55	0571013622	1.1/2 X 1800 AB-AB HOSE		01
56	0503016613	POINT		02
57	0503016822	TE		01
58	0571013620	HOSE		01



Item	Code	Description	See page	QT
01	0503033132	RESERVOIR AR 36L (CYLINDER)		01
02	0503010237	3/8" X 1" BOLT		06
03	0503010025	3/8" SPRING WASHER		09
04	0503010026	3/8" NUT		09
05	0503013523	VALVE		01
06	0503032389	VALVE		01
07	0503010751	C3/8" X 1.1/4" HEX BOLT G.5		03
08	0501013518	FLAT WASHER		03
09	0503014002	ADAPTER		21
10	0503032835	1/2 TUBE		20
11	0501010984	FLAT WASHER		06
12	0503010605	O'RING		04
13	0503032307	CONNECT ELBOW		09
14	0503013481	REDUCTOR		02
15	0503014038	VALVE		02
16	0503014039	VALVE DRIVE 1/4 9201001G37571		01
17	0503010282	1/4" X 3/4" BOLT		02
18	0503010143	1/4" SPRING WASHER		02
19	0503010144	1/4" NUT		02
20	0503013421	2-125 N O'RING		01
21	0503013518	1/4" PLUG		02
22	0503014216	MALE CONNECTOR		04
23	0503014037	REDUCTION		04
24	0503032301	CONNECTION		01
25	0503014140	FEMALE QUICK COUPLER		02
26	0503014138	UNION ANTEP TUBE		02
27	0503013527	CLAMP ZIPER		25
28	0503013515	QUICK CONECTION		04
29	0503010337	5/16" NUT		02
30	0503010371	5/16" X 1" BOLT		02
31	0501010694	8.5 X 18 X 1.5 FLAT WASHER		02

<b>Item</b>	<b>Code</b>	<b>Description</b>	<b>See page</b>	<b>QT</b>
32	0503010179	5/16" ZN SPRING WASHER		02



Item	Code	Description	See page	QT
01	0503016101	SOURCE		01
02	0503061980	KIT MONITORING		01
02A	0503016091	MONITOR		01
02B	0503016089	WHIP		08
02C	0503016093	MONITORING CAMERA		04
03	0503061981	BOX		01
03A	0503016095	CONTROL PANEL		02
03B	0503016096	WHIP ELETTRIC		01
04	0503032434	LIGHTHOUSE FROTLUZ		02
05	0561018037	LIGHTHOUSE PROTECTION		02
06	0561019188	TOWER		02
07	0503011053	5/16" X 3" C S 6.5 ZN BOLT		04
08	0503010179	5/16" ZN SPRING WASHER		04
09	0503010337	5/16" NUT		04
10	0503013784	3/16 UNC X 1/2 C S G.2 ZN BOLT		08
11	0503010668	3/16" SPRING WASHER		08
12	0503010667	3/16" NUT		08
13	0561019853	PROTECTION		01
14	0503016145	M 4 X 30 BOLT		02
15	0503015597	NUT		04
16	0503013100	NYLON CLAMP		30
17	0503014278	MP100 PLASTIC PROTECTION SPRING FOR 3/4 HOSE		02MT
18	0571011136	RAIL		01
19	0501011643	3/8 X 1" BOLT		03
20	0501011517	FLAT WASHER		03
21	0503010025	3/8" SPRING WASHER		03
22	0503010026	3/8" NUT		03







***CIVEMASA***

[www.civemasa.com.br](http://www.civemasa.com.br)



**Technical Publications | Elaboration and Revision**  
MARINA PEREZ NIZA