

# PARTS CATALOGUE

## DISK HARROWS

**Code:**

0501091846

**Product:**

GNCF 48/52/56/60D - (EIXO 1.1/2)



**Series:**

S-1297

**Revision:**

00

**Revision Date:**

ABRIL/2017

# PRODUCTS

Code	Description
0120110072	GNCF 48 20X3,5 L/R PN 1000X20 6331022
0120110077	GNCF 48 20X3,5 L/R PN 7.5X16 6331078
0120110204	GNCF 48 22X4,5 DR LP PN 900X20 S-1297
0120110086	GNCF 48 22X4,5 DR PN 7.5X16 6331188
0120110091	GNCF 48 22X4,5 DR PN 900X20 6331233
0120110062	GNCF 48 22X4,5 L/R PN 1000X20 6330930
0120110068	GNCF 48 22X4,5 L/R PN 7.5X16 6330986
0120110106	GNCF 48 22X4,5 DR PN 11L/15 6331370
0120110057	GNCF 48 24X6,0 DL PN 7.5X16 6330894
0120110210	GNCF 48 900X20 24X4,75 DR LP S-1297
0120110001	GNCF 48X22X4,5 L/R DESMON 6330317
0120110119	GNCF 52 20X3,5 L/R PN 1000X20 6331554
0120110121	GNCF 52 20X3,5 L/R PN 7.5X16 6331572
0120110205	GNCF 52 22X4,5 DR LP PN 900X20 S-1297
0120110132	GNCF 52 22X4,5 DR PN 11L/15 6331655
0120110123	GNCF 52 22X4,5 DR PN 7.5X16 6331590
0120110118	GNCF 52 22X4,5 DR PN 900X20 6331619
0120110120	GNCF 52 22X4,5 L/R PN 1000X20 6331563
0120110131	GNCF 52 22X4,5 L/R PN 11L/15 6331628
0120110122	GNCF 52 22X4,5 L/R PN 7.5X16 6331581
0120110117	GNCF 52 22X4,5 L/R PN 900X20 6331609
0120110209	GNCF 52 7.5X16 22X4,5 DL S-1297
0120110124	GNCF 56 20X3,5 L/R PN 1000X20 6331480
0120110128	GNCF 56 20X3,5 L/R PN 7.5X16 6331509
0120110130	GNCF 56 22X4,5 DL PN 7.5X16 6331518
0120110206	GNCF 56 22X4,5 DR LP PN 900X20 S-1297
0120110134	GNCF 56 22X4,5 DR PN 11L/15 6331664
0120110200	GNCF 56 22X4,5 DR PN 7.5X16 S-1297
0120110127	GNCF 56 22X4,5 DR PN 900X20 6331545
0120110125	GNCF 56 22X4,5 L/R PN 1000X20 6331499

## ATTENTION: IMPORTANT

Civemasa reserves the right to improve and / or modify the technical features of its products, without obligation to do the same with those products already sold and without prior knowledge of the dealer or the consumer.



# PRODUCTS

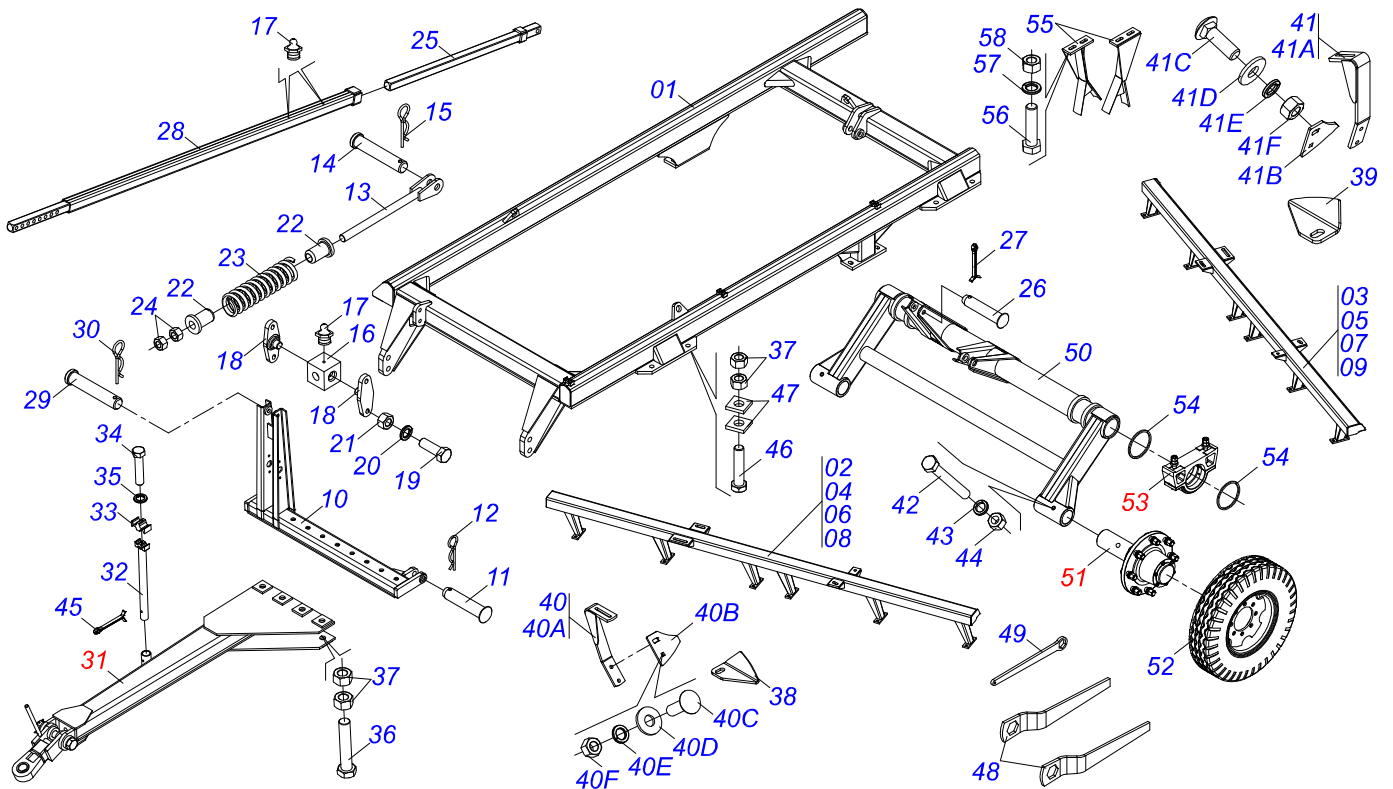
0120110133	GNCF 56 22X4,5 L/R PN 11L/15 6331637
0120110129	GNCF 56 22X4,5 L/R PN 7.5X16 6331527
0120110126	GNCF 56 22X4,5 L/R PN 900X20 6331536
0120110211	GNCF 56 900X20 24X4,75 DR LP S-1297
0120110116	GNCF 60 20X3,5 L/R PN 1000X20 6331471
0120110109	GNCF 60 20X3,5 L/R PN 7.5X16 6331408
0120110141	GNCF 60 20X4,5 L/R PN 7.50X16 S-1297
0120110111	GNCF 60 22X4,5 DL PN 7.5X16 6331426
0120110207	GNCF 60 22X4,5 DR LP PN 900X20 S-1297
0120110136	GNCF 60 22X4,5 DR PN 11L/15 6331673
0120110112	GNCF 60 22X4,5 DR PN 7.5X16 6331435
0120110114	GNCF 60 22X4,5 DR PN 900X20 6331453
0120110115	GNCF 60 22X4,5 L/R PN 1000X20 6331462
0120110135	GNCF 60 22X4,5 L/R PN 11L/15 6331646
0120110110	GNCF 60 22X4,5 L/R PN 7.5X16 6331417
0120110113	GNCF 60 22X4,5 L/R PN 900X20 6331444
0120110137	GNCF 60 24X4,5 L/R PN 900X20 S-1297
0120110208	GNCF 60 900X20 22X4,5 L/R LP S-1297
0120110212	GNCF 60 900X20 24X4,75 DR LP S-1297

## ATTENTION: IMPORTANT

Civemasa reserves the right to improve and / or modify the technical features of its products, without obligation to do the same with those products already sold and without prior knowledge of the dealer or the consumer.

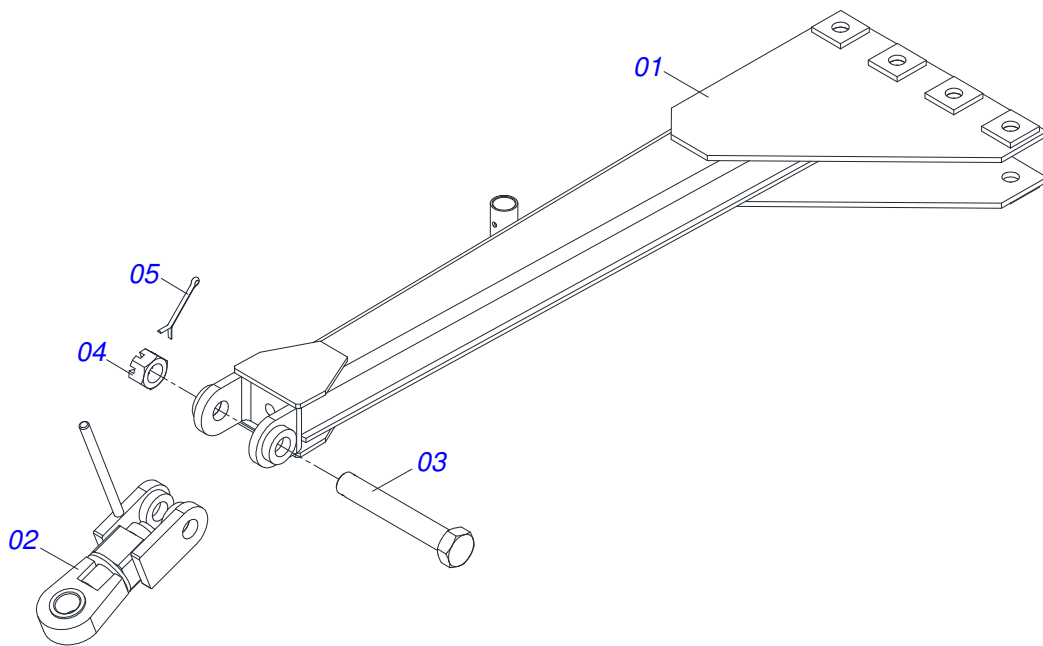
# INDEX

0909092483	48/52/56/60D - FRAME ASSY	.....	1
0511050185	AXLE WITH HOOK ASSY HITCH	.....	2
0501053910	JOINT CUBE OF THE WHEEL	.....	3
0501054501	WHEEL HUB	.....	4
0501052751	DEPH WHEELS AXLE BEARING	.....	5
0909092491	48/52/56/60D - CIRCUIT HYDRAULIQUE	.....	6
0511058408	HYDRAULIC CYLINDER	.....	7
0501053834	MALE QUICK COUPLER WITH CAP - 1/2 NPT	.....	8
0909092492	48D - FRONT AND REAR DISC SECTION	.....	9
0909092493	52D - FRONT AND REAR DISC SECTION	.....	10
0909092494	56D - FRONT AND REAR DISC SECTION	.....	11
0909092495	60D - FRONT AND REAR DISC SECTION	.....	12
0511040472	AGRICULTURAL BEARING	.....	13

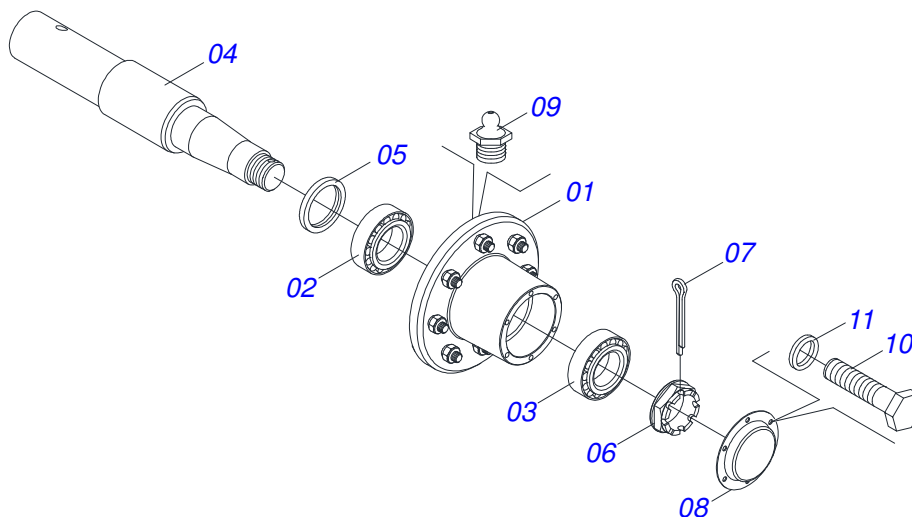


Item	Code	Description	See page	48	52	56	60
01	0511066581	FRAME GNCF 522500 3333678		01	01	01	01
02	0511060244	FRAME FRONT		01	00	00	00
03	0511060245	FRAME REAR		01	00	00	00
04	0521060629	FRAME FRONT		00	01	00	00
05	0521060630	FRAME REAR		00	01	00	00
06	0521060627	FRAME FRONT		00	00	01	00
07	0521060628	FRAME REAR		00	00	01	00
08	0521060626	FRAME FRONT		00	00	00	01
09	0521060625	FRAME REAR		00	00	00	01
10	0511066582	DRAWBAR ASSY		01	01	01	01
11	0521010546	1.2" X 5.7" COUPLING SHAFT		02	02	02	02
12	0503031470	TM 251 X 4,0 STAPLE		02	02	02	02
13	0511060258	GVMF 30119N RIGTH JACK		01	01	01	01
14	0521013838	PIN WITH HEAD ROD PN-004		01	01	01	01
15	0503031464	TM 211 X 3,0 STAPLE		01	01	01	01
16	0502011616	CROSSPIECE GVMF 60106A		01	01	01	01
17	0503010002	1800 GREASE FITTING		03	03	03	03
18	0502011615	SUPPORT CROSS GR GVMF 60107N		02	02	02	02
19	0503010920	1/2" X 1.1/2" BOLT		04	04	04	04
20	0503010019	1/2" SPRING WASHER		04	04	04	04
21	0503010060	1/2" NUT		04	04	04	04
22	0502011582	SPINDLE GUIDE GVMF 60127A		02	02	02	02
23	0503031497	SPINDLE SNC		01	01	01	01
24	0503012182	1" NUT		02	02	02	02
25	0511060322	EXTENSION		01	01	01	01
26	0521010580	COUPLING SHAFT		01	01	01	01
27	0503010038	3/16 X 2 COTTERPIN		01	01	01	01
28	0511066584	STABILIZER BAR		01	01	01	01
29	0521014529	PIN WITH HEAD PN- 005		01	01	01	01
30	0503031470	TM 251 X 4,0 STAPLE		01	01	01	01
31	0511050185	AXLE WITH HOOK ASSY HITCH	2	01	01	01	01

Item	Code	Description	See page	48	52	56	60
32	0511060205	SUPPORT HOSE CNS 20104N		01	01	01	01
33	0502012702	BODY SUPPORT CLAMP		04	04	04	04
34	0503012555	SCREW 7/16 UNC X 2 CS RT G.7 ZN		04	04	04	04
35	0503010180	7/16" SPRING WASHER		04	04	04	04
36	0501010060	1" X 6-1/2" BOLT		04	04	04	04
37	0503012182	1" NUT		24	24	24	24
38	0571015395	CLEANER BEARING		06	06	06	08
39	0571015396	CLEANER BEARING		06	06	06	08
40	0511059728	FRONT CLEANING ASSEMBLY		18	00	22	22
40A	0521067241	FRONT CLEANING SUPPORT		18	00	22	22
40B	0581012586	FRONT / REAR CLEANER PAD		18	00	22	22
40C	0503012699	BOLT 5/8NC X 2 CAPQ G.5 ZN 1K20548		18	00	22	22
40D	0501012140	FLAT WASHER		18	00	22	22
40E	0503010027	5/8" SPRING WASHER		18	00	22	22
40F	0503010013	5/8" NUT		18	00	22	22
41	0511059729	REAR CLEANING ASSEMBLY		18	00	22	22
41A	0521067242	REAR CLEANER SUPPORT		18	00	22	22
41B	0581012586	FRONT / REAR CLEANER PAD		18	00	22	22
41C	0503012699	BOLT 5/8NC X 2 CAPQ G.5 ZN 1K20548		18	00	22	22
41D	0501012140	FLAT WASHER		18	00	22	22
41E	0503010027	5/8" SPRING WASHER		18	00	22	22
41F	0503010013	5/8" NUT		18	00	22	22
42	0503811198	SCREW		02	02	02	02
43	0503010023	3/4" SPRING WASHER		02	02	02	02
44	0503812183	NUT		02	02	02	02
45	0503012215	5/16" X 2-1/2" COTTERPIN		01	01	01	01
46	0501011547	1" X 4-1/2" BOLT		06	06	08	08
47	0521013709	REINFORCING WASHER		16	16	16	16
48	0501011432	1-1/2" AND 1-5/8 GANG BOLT WRENCH		02	02	02	02
49	0531013656	WRENCH		01	01	01	01
50	0511066583	WHEEL AXLE GNCF		01	00	01	01
50.	0511066608	WHEEL AXLE		00	01	00	00
51	0501053910	JOINT CUBE OF THE WHEEL	3	02	00	02	02
51.	0501054501	WHEEL HUB	4	00	02	00	00
52	0503061896	WELL AND TIRE ASSY		02	00	02	02
52.	0503060264	WHEEL SET		00	02	00	00
52..	0503062136	SET WHEEL TIRE		02	00	00	00
52...	0503061898	WELL AND TIRE ASSY		02	00	00	00
53	0501052751	DEPH WHEELS AXLE BEARING	5	02	00	02	02
53.	0502011583	BEARING AXLE		00	02	00	00
54	0503012260	FELT RING		04	00	04	04
54.	0503012223	FELT RING		00	02	00	00
55	0511060204	CLEANER - OPTIONAL		36	40	44	44
56	0501010243	1/2" X 1-1/2" BOLT		72	80	88	88
57	0503010019	1/2" SPRING WASHER		72	80	88	88
58	0503012682	1/2" BSW NUT		72	80	88	88



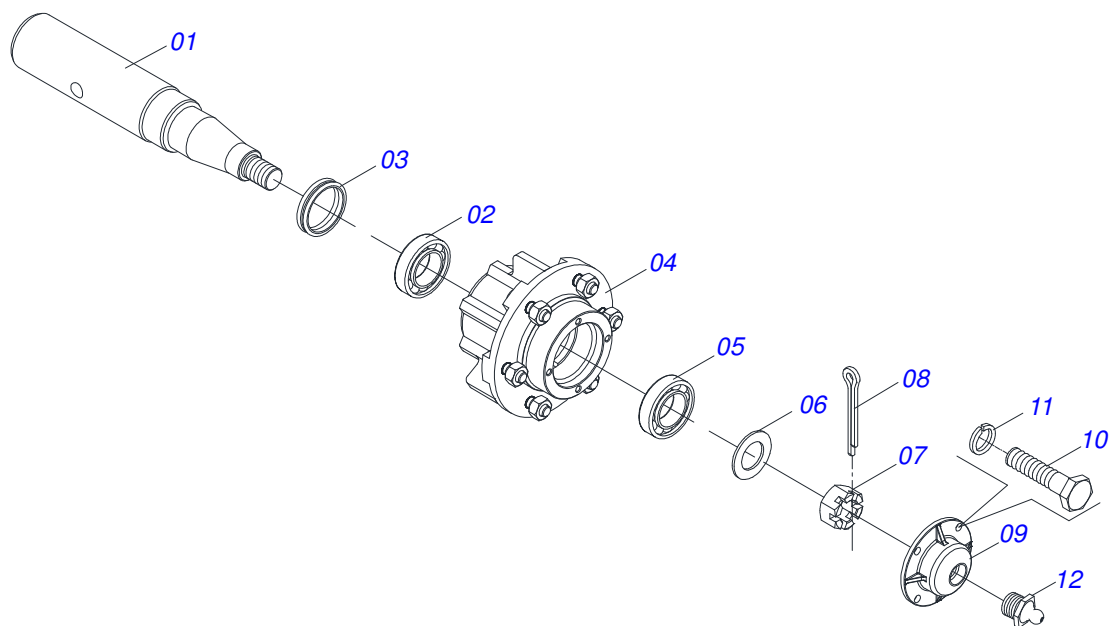
Item	Code	Description	See page	QT
001	0511066587	DRAWBAR GNCF 522900		01
002	0511063346	HOOK HITCH		01
003	0521013837	BOLT		01
004	0503013026	1.1/4" CASTLE NUT		01
005	0503010067	3/16" X 2.1/2" COTTER PIN		01



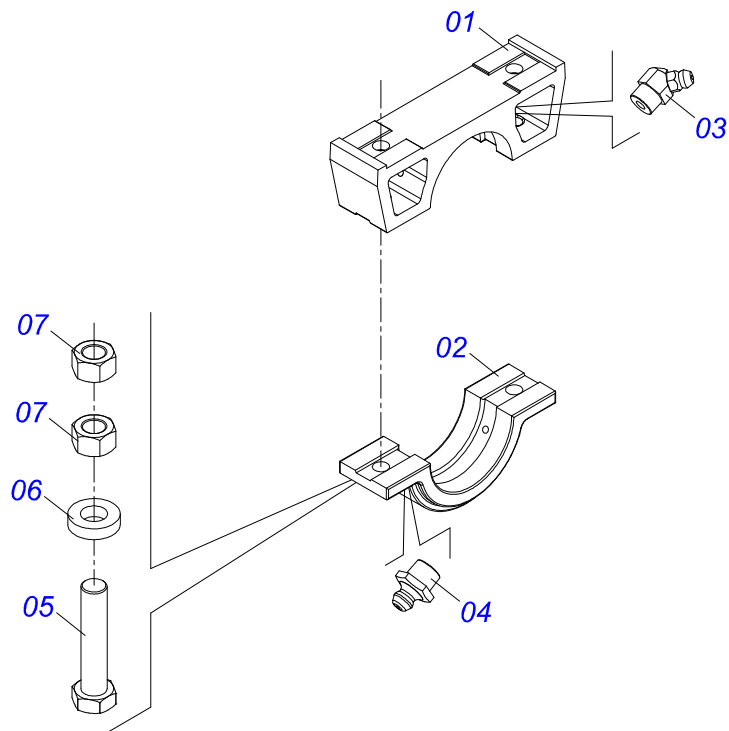
Item	Code	Description	See page	QT
01	0501110735	HUB CARRYING WHEELS WITH BOLT		01
02	0503010059	33287/33462 ROLLER BEARING		01
03	0503010007	3982/3920 ROLLER BEARING		01
04	0531018299	POINT AXIS Ø 88,8 X 412		01
05	0503010050	SEAL 00085-B		01
06	0502040080	2.1/2" SLOTTED NUT		01
07	0503011345	1/4" X 3-1/2" COTTERPIN		01
08	0541013225	WHEEL BOX COVER		01
09	0503010002	1800 GREASE FITTING		01
10	0503010240	5/16" X 3/4" BOLT		06
11	0503011444	SPRING WASHER		06



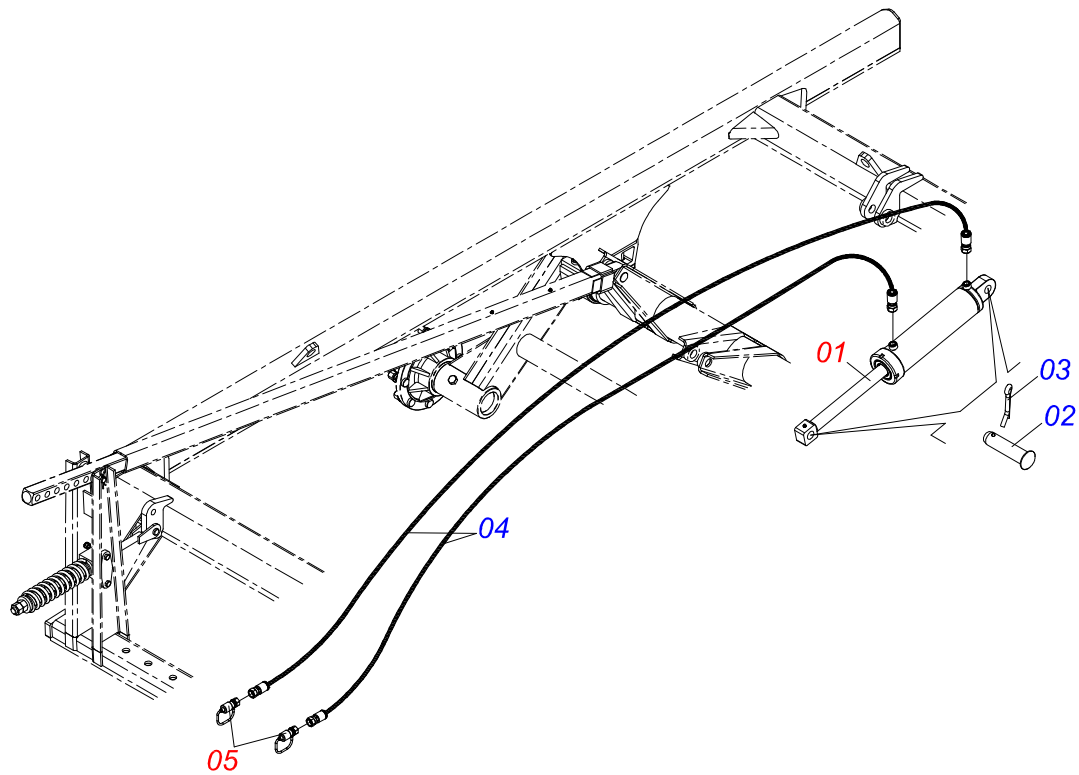
**WHEEL HUB**



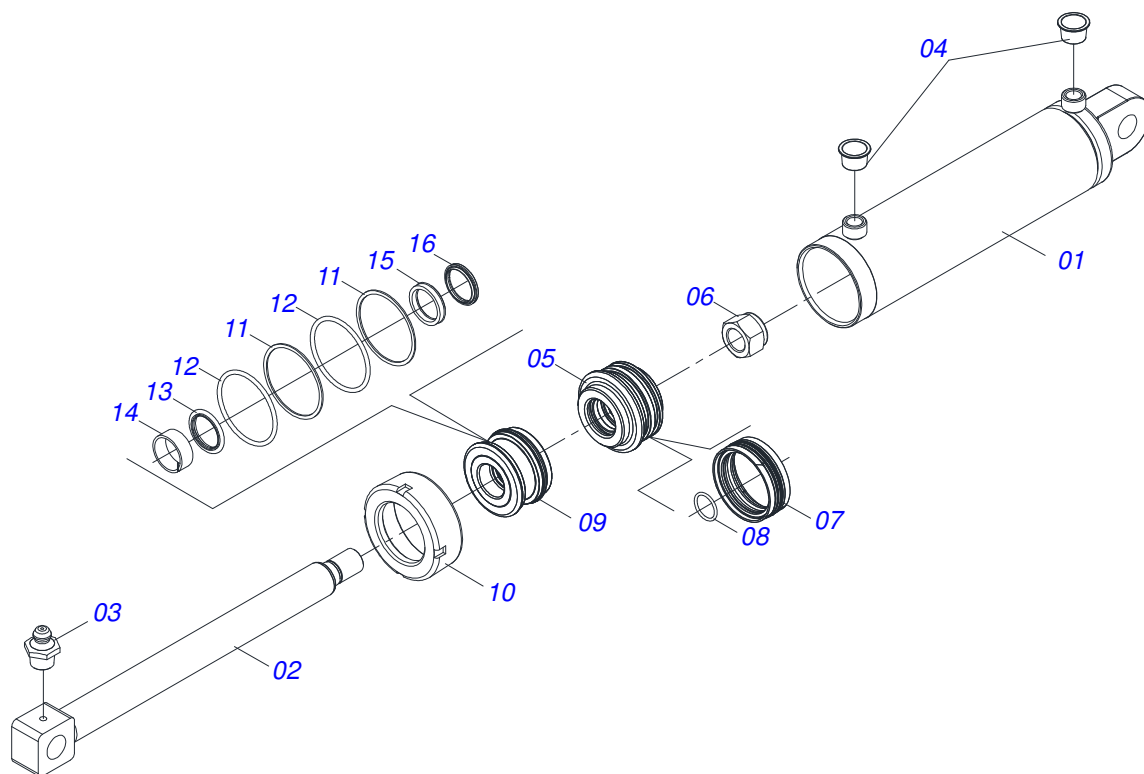
Item	Code	Description	See page	QT
01	0531018161	AXLE		01
02	0503010006	32210 ROLLER BEARING		01
03	0503012928	SEAL		01
04	0501110728	WHEEL HUB		01
05	0503010037	30207 ROLLER BEARING		01
06	0501016545	FLAT WASHER		01
07	0503030009	1" CASTLE NUT		01
08	0503010018	5/32 X 1-1/2 COTTERPIN		01
09	0502020591	PROTECCION COVER		01
10	0503010358	5/16" X 5/8" BOLT		04
11	0503011444	SPRING WASHER		04
12	0503010002	1800 GREASE FITTING		01



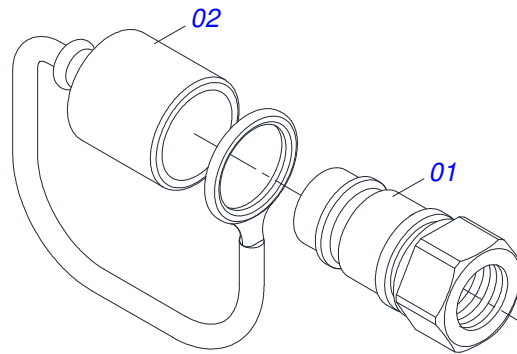
Item	Code	Description	See page	QT
01	0502011494	UPPER BEARING SEMI		01
02	0502011493	LOWER BEARING SEMI		01
03	0503010003	1845 GREASE FITTING		02
04	0503010002	1800 GREASE FITTING		02
05	0501010164	3/4" X 7 BOLT		02
06	0521013710	WASHER SEMIMAN		02
07	0503012183	SNC 3/4" ZIN 1K03097 NUT		04



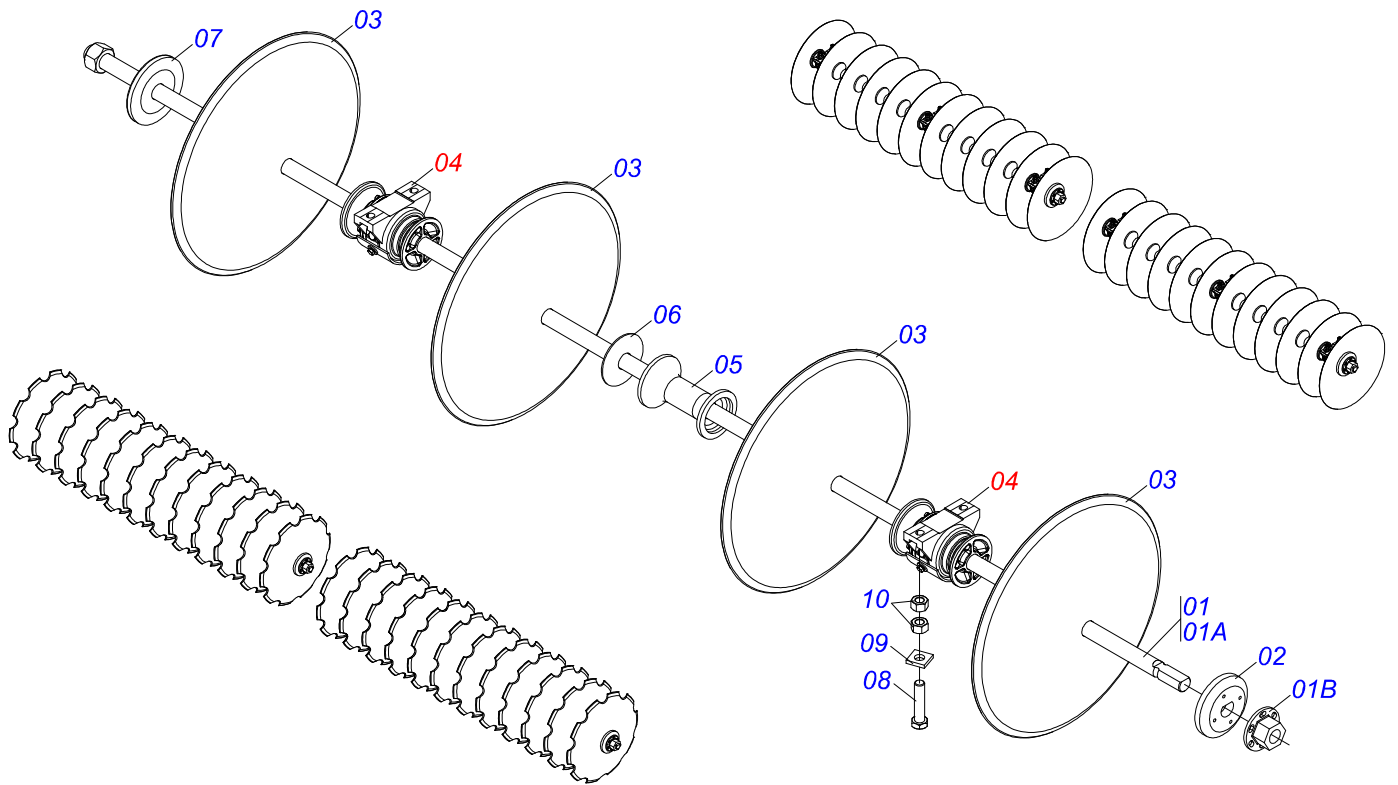
Item	Code	Description	See page	QT
01	0511058408	HYDRAULIC CYLINDER	7	01
02	0521010546	1.2" X 5.7" COUPLING SHAFT		02
03	0503010010	1/4" X 2.1/2" COTTERPIN		02
04	0501080824	HOSE		02
05	0501053834	MALE QUICK COUPLER WITH CAP - 1/2 NPT	8	02



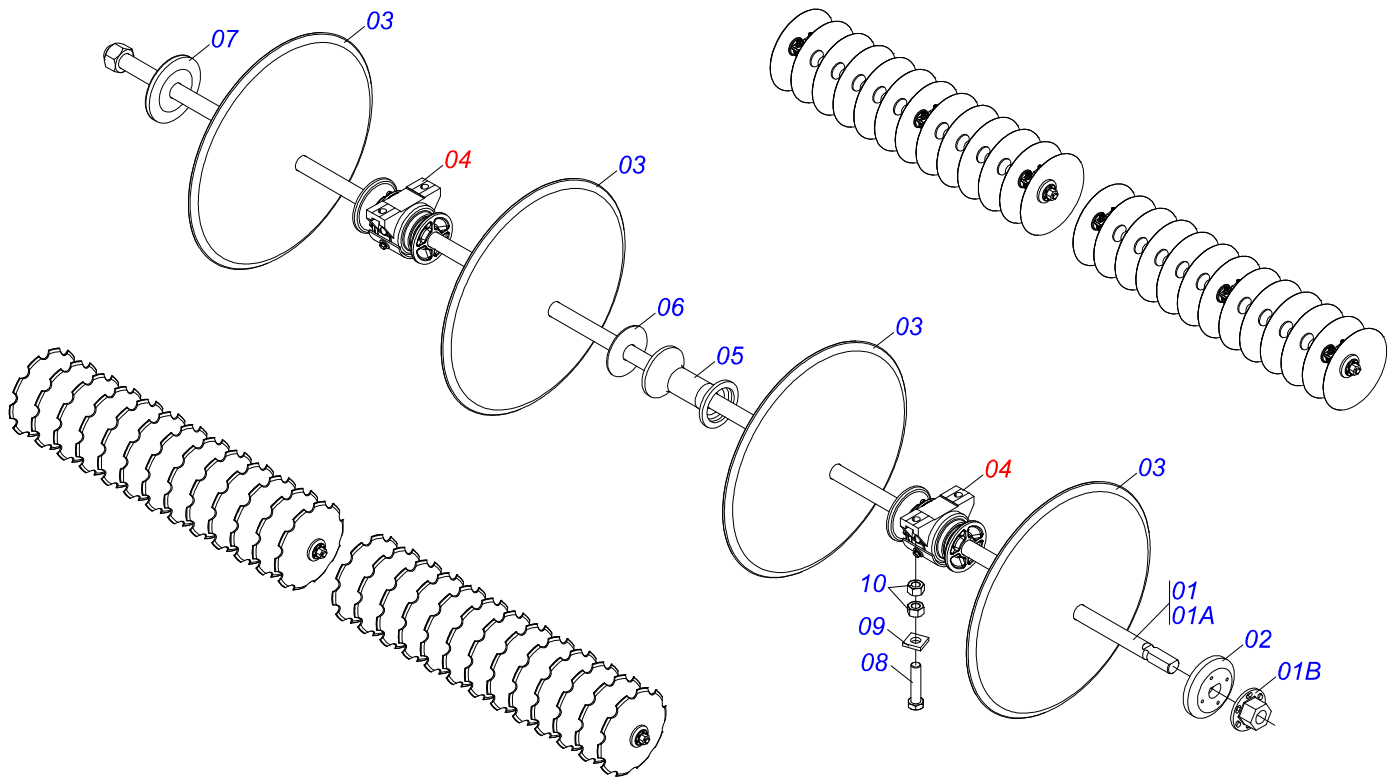
Item	Code	Description	See page	QT
001	0511062246	CYLINDER CASE		01
002	0511062247	TURNBUCKLE		01
003	0503010002	1800 GREASE FITTING		01
004	0503030384	CON PLUG N-001		02
005	0581010837	PISTON		01
006	0503010817	1.1/4" SELF LOCKING NUT		01
007	0503015633	SELEMASTER SEALING		01
008	0503018029	2-217 O-RING		01
009	0581010302	RING OF SUPPORT		01
010	0502012822	101.60 END CAP		01
011	0503011061	8-342 BACK-UP RING		02
012	0503010338	2-342 N 3006-9B O-RING		02
013	0503017936	RING		01
014	0503017938	RING GUIDE		01
015	0503017937	GASKET		01
016	0503010761	D-1750 SCRAPER RING		01



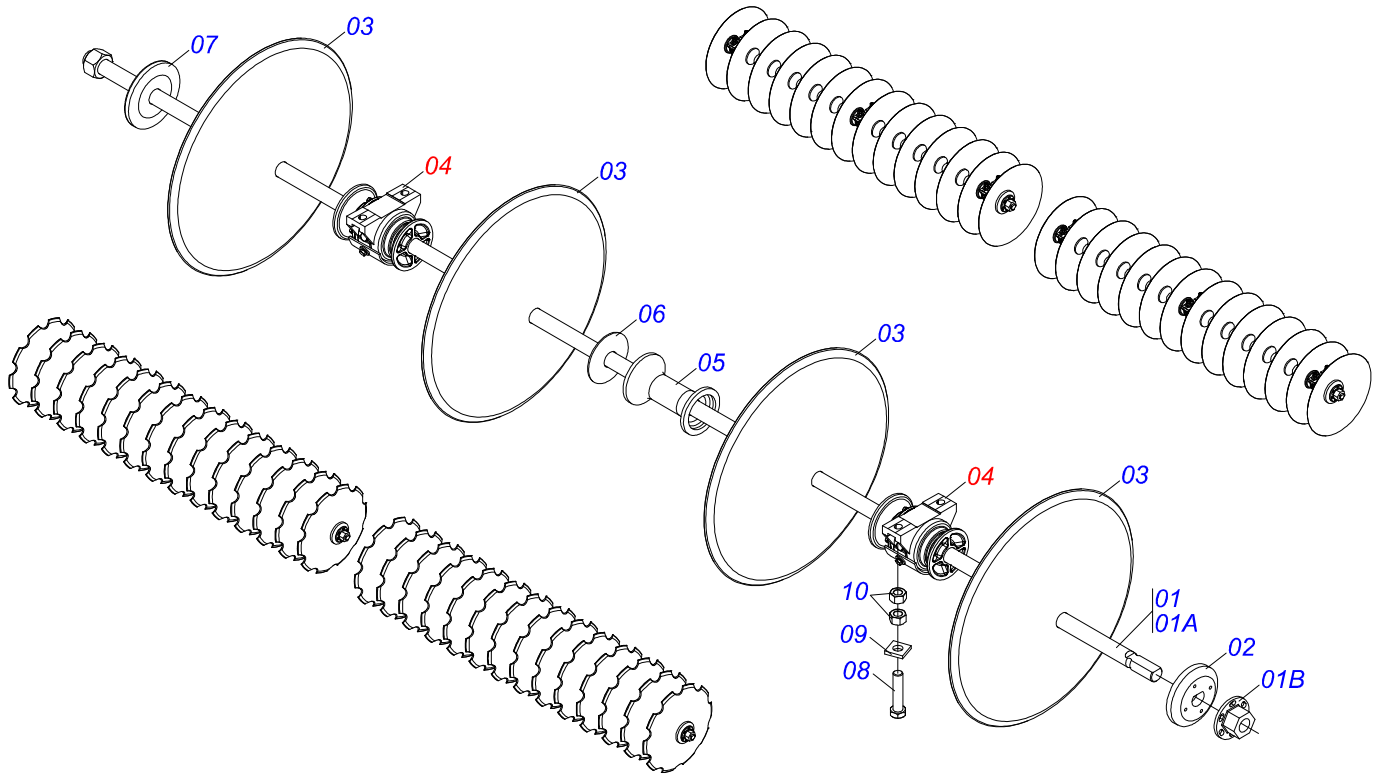
Item	Code	Description	See page	QT
01	0503011627	MALE QUICK COUPLER AGR 1/2 NPT		01
02	0503011882	MALE QUICK COUPLER CAP		01



Item	Code	Description	See page	QT
01	0511050329	AXLE DISC WITH NUTS		04
01A	0511060786	AXLE DISC		04
01B	0502011593	7" AXLE NUT		04
02	0502011607	OUTER FLANGE		02
02.	0502011609	OUTER FLANGE		02
03	0602030237	24" X 4,75" NOTCHED DISC BLADE		48
04	0511040472	AGRICULTURAL BEARING	13	12
05	0502011594	SPACER		32
06	0521013879	GNC 57900 CHOCK		08
07	0502011608	INNER FLANGE		02
07.	0502011606	INNER FLANGE		02
08	0503012246	5/8" X 2-3/4" BOLT		24
09	0521013775	FLAT WASHER		24
10	0503010129	5/8" NUT		36

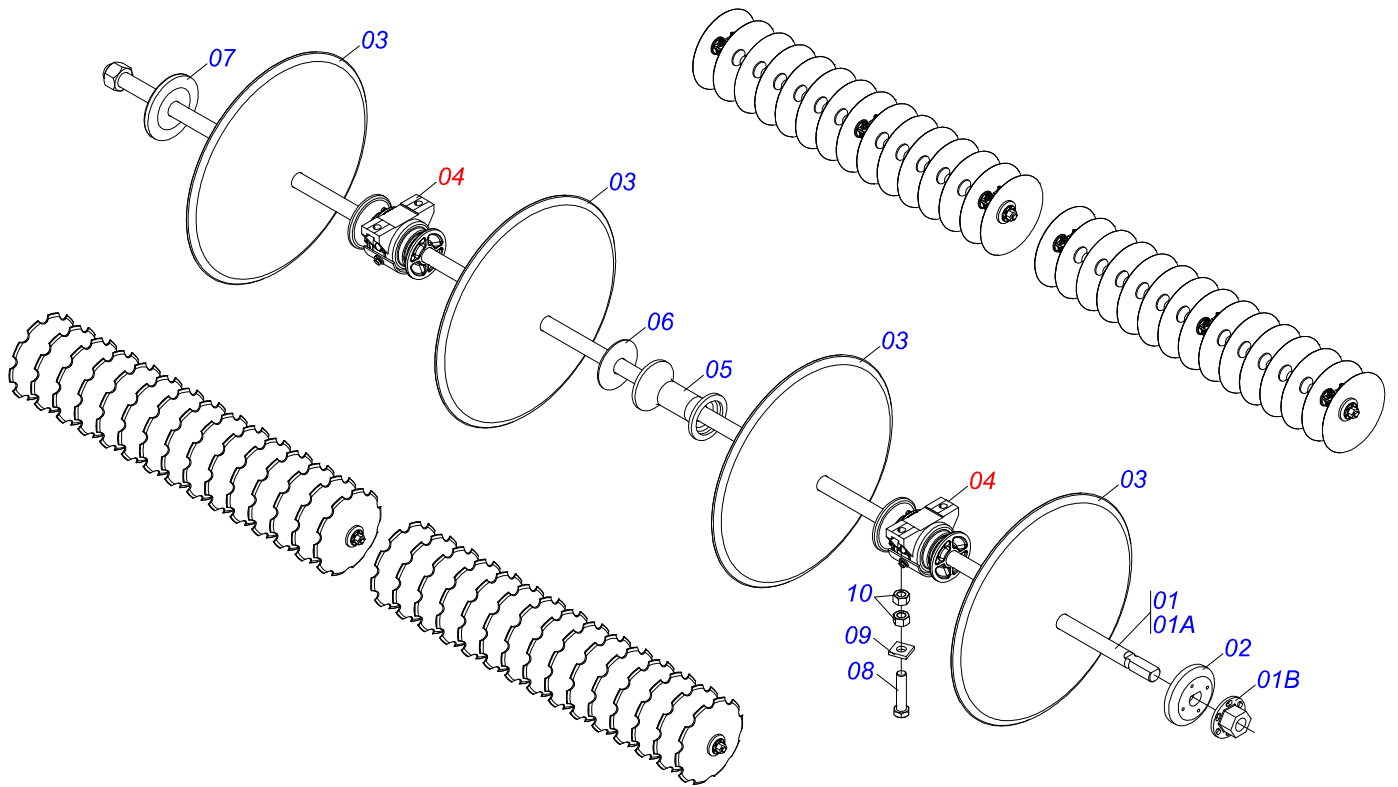


Item	Code	Description	See page	QT
01	0511050474	AXLE DISC WITH NUTS		04
01A	0511060803	AXLE DISC		04
01B	0502011593	7" AXLE NUT		04
02	0502011607	OUTER FLANGE		02
02.	0502011609	OUTER FLANGE		02
03	0601029406	22" X 4,5 PLAIN DISC BLADE		52
04	0511040472	AGRICULTURAL BEARING	13	12
05	0502011594	SPACER		36
06	0521013879	GNC 57900 CHOCK		04
07	0502011608	INNER FLANGE		02
07.	0502011606	INNER FLANGE		02
08	0503012246	5/8" X 2-3/4" BOLT		24
09	0521013775	FLAT WASHER		24
10	0503010129	5/8" NUT		48

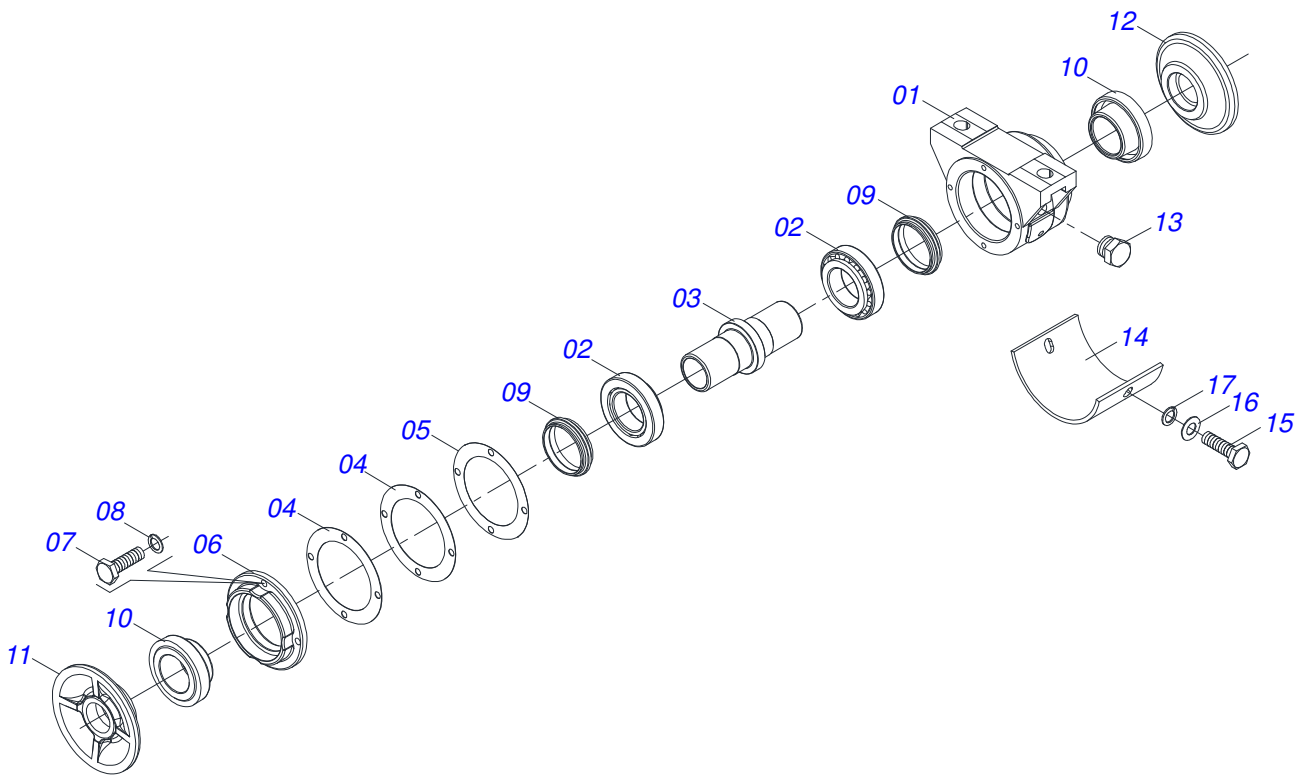


Item	Code	Description	See page	QT
01	0511050305	AXLE DISC WITH NUTS		04
01A	0511060807	AXLE DISC		04
01B	0502011593	7" AXLE NUT		04
02	0502011607	OUTER FLANGE		02
02.	0502011609	OUTER FLANGE		02
03	0602030237	24" X 4,75" NOTCHED DISC BLADE		56
04	0511040472	AGRICULTURAL BEARING	13	12
05	0502011594	SPACER		40
06	0521013879	GNC 57900 CHOCK		04
07	0502011608	INNER FLANGE		02
07.	0502011606	INNER FLANGE		02
08	0503012246	5/8" X 2-3/4" BOLT		24
09	0521013775	FLAT WASHER		24
10	0503010129	5/8" NUT		36





Item	Code	Description	See page	QT
01	0511050187	AXLE DISC WITH NUTS		04
01A	0521061753	AXLE DISC		04
01B	0502011593	7" AXLE NUT		04
02	0502011607	OUTER FLANGE		02
02.	0502011609	OUTER FLANGE		02
03	0602029409	22" X 4,5 NOTCHED DISC BLADE		30
03.	0601029406	22" X 4,5 PLAIN DISC BLADE		30
04	0511040472	AGRICULTURAL BEARING	13	16
05	0502011594	SPACER		40
06	0521013879	GNC 57900 CHOCK		10
07	0502011608	INNER FLANGE		02
07.	0502011606	INNER FLANGE		02
08	0503012246	5/8" X 2-3/4" BOLT		32
09	0521013775	FLAT WASHER		24
10	0503010129	5/8" NUT		48



Item	Code	Description	See page	QT
01	0502012014	BODY BEARING		01
02	0503010006	32210 ROLLER BEARING		02
03	0502040514	157,50 / 157,35 AXLE		01
04	0503031730	JOINT SEALING		02
05	0503031729	JOINT SEALING		01
06	0502012015	BEARING COVER		01
07	0503010371	5/16" X 1" BOLT		04
08	0503011444	SPRING WASHER		04
09	0503030026	SEAL LP JB-253		02
10	0502010541	SEAL RETAINER		02
11	0502010604	OUTER FLANGE		01
12	0502010605	INNER FLANGE		01
13	0503010856	OIL PLUG		01
14	0521013857	PLATE PROTECTION		01
15	0503011334	BOLT 3/8 UNC X 3/4 CS G.5 ZN		02
16	0501010984	FLAT WASHER		02
17	0503010025	3/8" SPRING WASHER		02





***CIVEMASA***

[www.civemasa.com.br](http://www.civemasa.com.br)



**Technical Publications | Elaboration and Revision**  
ALESSANDRA PATRICIA KAWAHARA CARRILI