

LIME AND FERTILIZER SPREADER

DIFE CIVEFLEX 12000 L/T/ESC/ABAF

Code: 0501091841

Series: S-0216

Revision: 00

Revision Date: ABRIL/2017

PARTS CATALOGUE

CIVEMASA

A solid orange horizontal bar is positioned at the top left of the page, above the "PRODUCTS" heading.

PRODUCTS

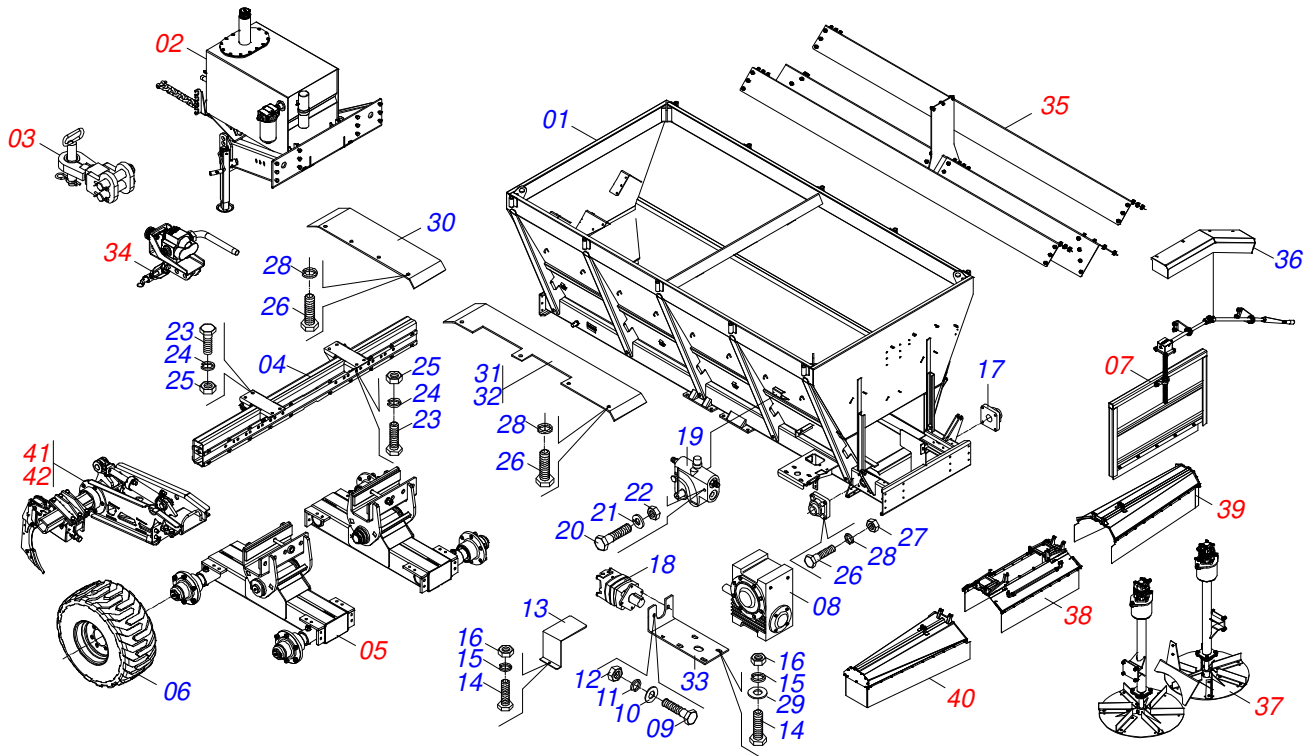
Code	Description
0121330026	DIFE CIVEFLEX 12000 L/T/ESC/ABAF S-0216
0121330025	DIFE CIVEFLEX 12000 T/ABAF S-0216

ATTENTION: IMPORTANT

CIVEMASA reserves the right to improve and/or modify the technical features of its products, without obligation to do the same with those products already sold and without prior knowledge of the dealer or the consumer. The photos are only illustrative.

INDEX

0909092459	BUCKET	1
0909092426	BUCKET L	2
0511058862	COMPLETE HEAD WITH TANK	3
0511056376	ASSY HITCH	4
0511059070	FULL BALANCE SHEET	5
0501055850	CARRYNG WHEEL HUB ASSEMBLY SET	6
0511058863	250L HYDRAULIC RESERVOIR	7
0511053777	PUMP ASSY WITH SUPPORT	8
0511055824	TURNBUCKLE	9
0511053925	KIT DEFLECTOR	10
0511058855	FLOODGATE ASSY	11
0511058856	BEARING	12
0511056385	RUNNING MACHINE ASSY	13
0501059150	MAT	14
0909092427	ASSEMBLY TRANSMISSION	15
0909092457	T SET DISTRIBUTOR	16
0909092428	LEFT DISTRIBUTOR	17
0909092499	CENTER DISTRIBUTOR	18
0909092503	RIGHT DISTRIBUTOR	19
0511058859	CENTER BODY	20
0511058875	RH DAMPER MOBILE	21
0511058876	LH DAMPER MOBILE	22
0511058857	HYDRAULIC CYLINDER 63,50 X 38,10 X 650 X 453	23
0501059151	BEARING ASSEMBLY	24
0511045115	BEARING ASSEMBLY	25
0511045116	BEARING ASSEMBLY	26
0511058872	LEFT SCARIFIER	27
0511058873	RIGHT SCARIFIER	28
0909092534	HYDRAULIC SCHEME T	29
0909092537	HYDRAULIC SCHEME L	30
0909092546	HYDRAULIC SCHEME	31

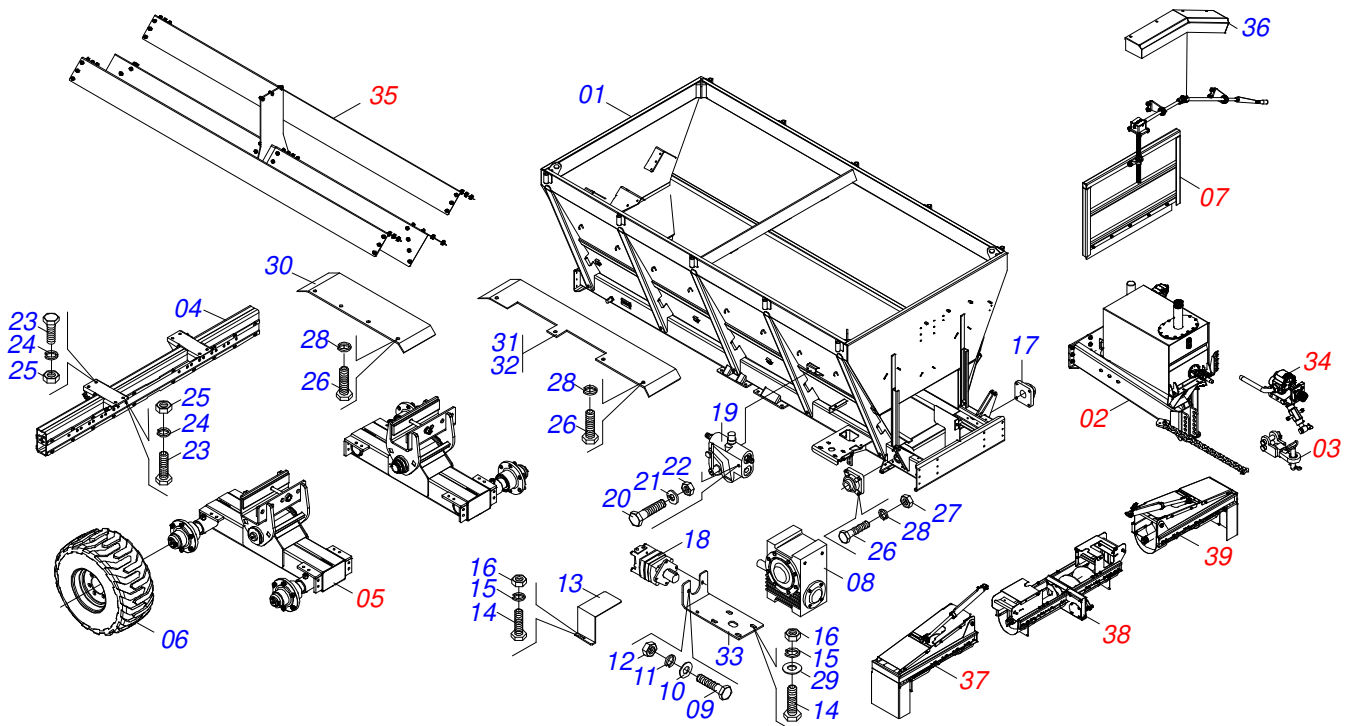


Item	Code	Description	See page	QT
01	0521067060	BUCKET		01
02	0511058862	COMPLETE HEAD WITH TANK	3	01
03	0511056376	ASSY HITCH	4	01
04	0521066804	FRAME TUBE		01
05	0511059070	FULL BALANCE SHEET	5	02
06	0503061868	14L WHEEL AND TIRE		04
07	0511058855	FLOODGATE ASSY	11	01
08	0503062309	REDUCTOR		01
09	0503010740	BOLT 1/2 UNC X 2 CS G.5 ZN		02
10	0511017302	FLAT WASHER		02
11	0503010019	1/2" SPRING WASHER		02
12	0503010060	1/2" NUT		02
13	0541019655	PROTECTION DFT		01
14	0503011087	3/8" X 1" BOLT		01
15	0503010025	3/8" SPRING WASHER		01
16	0503010026	3/8" NUT		01
17	0503015404	ROLMAX BEARING ASSEMBLY WITH BEARING		02
18	0503015403	MOTOR		01
19	0503015410	VALVE		01
20	0503011194	BOLT 1/4 UNC X 2.1/2 CS G.2 ZN		02
21	0503010143	1/4" SPRING WASHER		02
22	0503010144	1/4" NUT		02
23	0503010895	7/8" X 2-1/2" BOLT		08
24	0503010408	7/8" SPRING WASHER		12
25	0503010417	7/8" NUT		08
26	0501010100	SCREW 5/8 UNC X 2 CS G.5 ZN		20
27	0503010013	5/8" NUT		16
28	0503010027	5/8" SPRING WASHER		47
29	0501010984	FLAT WASHER		04
30	0561013493	GUIDE MAT		02
31	0561017700	GUIDE		01

BUCKET

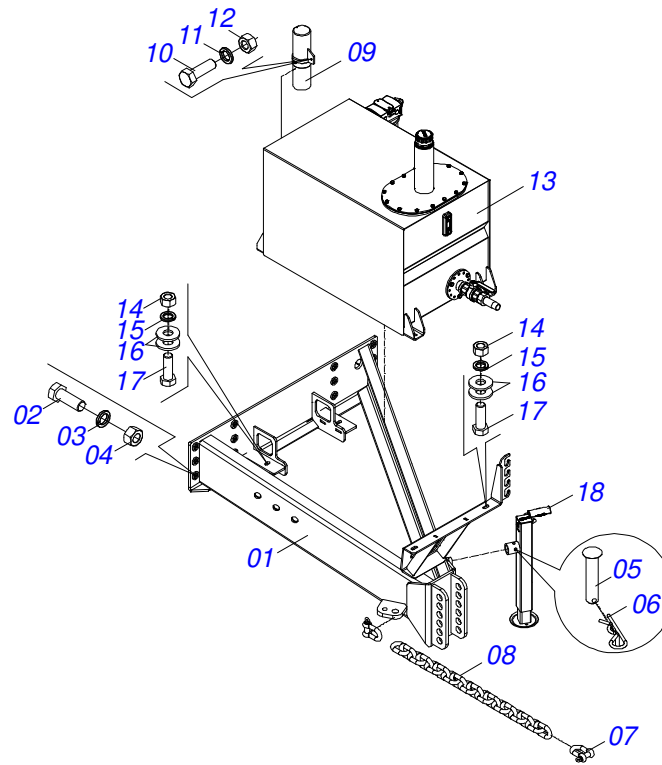
0909092459

Item	Code	Description	See page	QT
32	0561017701	GUIDE		01
33	0561013576	MOTOR SUPPORT		01
34	0511053777	PUMP ASSY WITH SUPPORT	8	01
35	0511053925	KIT DEFLECTOR	10	01
36	0581011241	COVER		01
37	0909092457	T SET DISTRIBUTOR	16	01
38	0511058859	CENTER BODY	20	01
39	0511058875	RH DAMPER MOBILE	21	01
40	0511058876	LH DAMPER MOBILE	22	01
41	0511058873	RIGHT SCARIFIER	28	01
42	0511058872	LEFT SCARIFIER	27	01

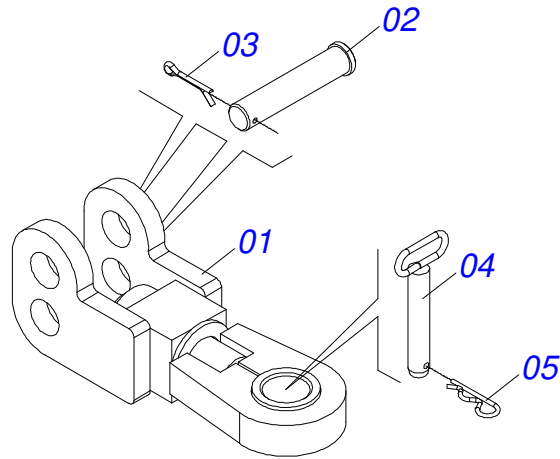


Item	Code	Description	See page	QT
01	0521067060	BUCKET		01
02	0511058862	COMPLETE HEAD WITH TANK	3	01
03	0511056376	ASSY HITCH	4	01
04	0521066804	FRAME TUBE		01
05	0511059070	FULL BALANCE SHEET	5	02
06	0503061868	14L WHEEL AND TIRE		04
07	0511058855	FLOODGATE ASSY	11	01
08	0503062309	REDUCTOR		01
09	0503010740	BOLT 1/2 UNC X 2 CS G.5 ZN		02
10	0511017302	FLAT WASHER		02
11	0503010019	1/2" SPRING WASHER		02
12	0503010060	1/2" NUT		02
13	0541019655	PROTECTION DFT		01
14	0503011087	3/8" X 1" BOLT		01
15	0503010025	3/8" SPRING WASHER		01
16	0503010026	3/8" NUT		01
17	0503015404	ROLMAX BEARING ASSEMBLY WITH BEARING		02
18	0503015403	MOTOR		01
19	0503015410	VALVE		01
20	0503011194	BOLT 1/4 UNC X 2.1/2 CS G.2 ZN		02
21	0503010143	1/4" SPRING WASHER		02
22	0503010144	1/4" NUT		02
23	0503010895	7/8" X 2-1/2" BOLT		08
24	0503010408	7/8" SPRING WASHER		12
25	0503010417	7/8" NUT		08
26	0501010100	SCREW 5/8 UNC X 2 CS G.5 ZN		20
27	0503010013	5/8" NUT		16
28	0503010027	5/8" SPRING WASHER		47
29	0501010984	FLAT WASHER		04
30	0561013493	GUIDE MAT		02
31	0561017700	GUIDE		01

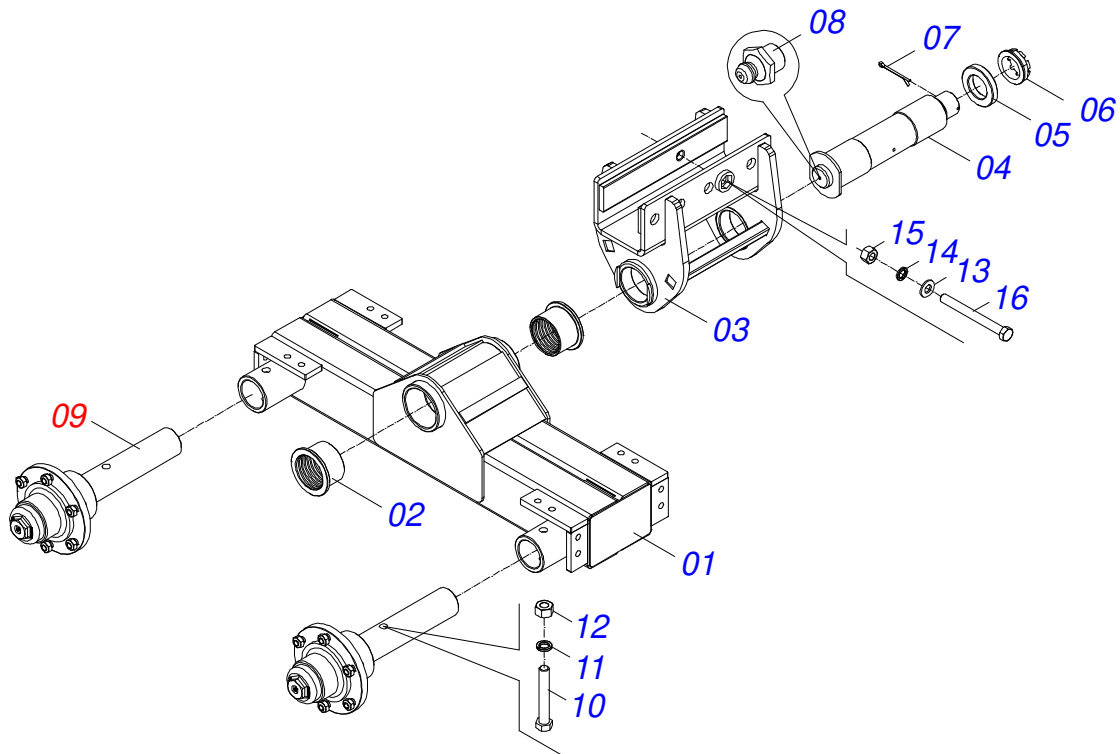
Item	Code	Description	See page	QT
32	0561017701	GUIDE		01
33	0561013576	MOTOR SUPPORT		01
34	0511053777	PUMP ASSY WITH SUPPORT	8	01
35	0511053925	KIT DEFLECTOR	10	01
36	0581011241	COVER		01
37	0909092428	LEFT DISTRIBUTOR	17	01
38	0909092499	CENTER DISTRIBUTOR	18	01
39	0909092503	RIGHT DISTRIBUTOR	19	01



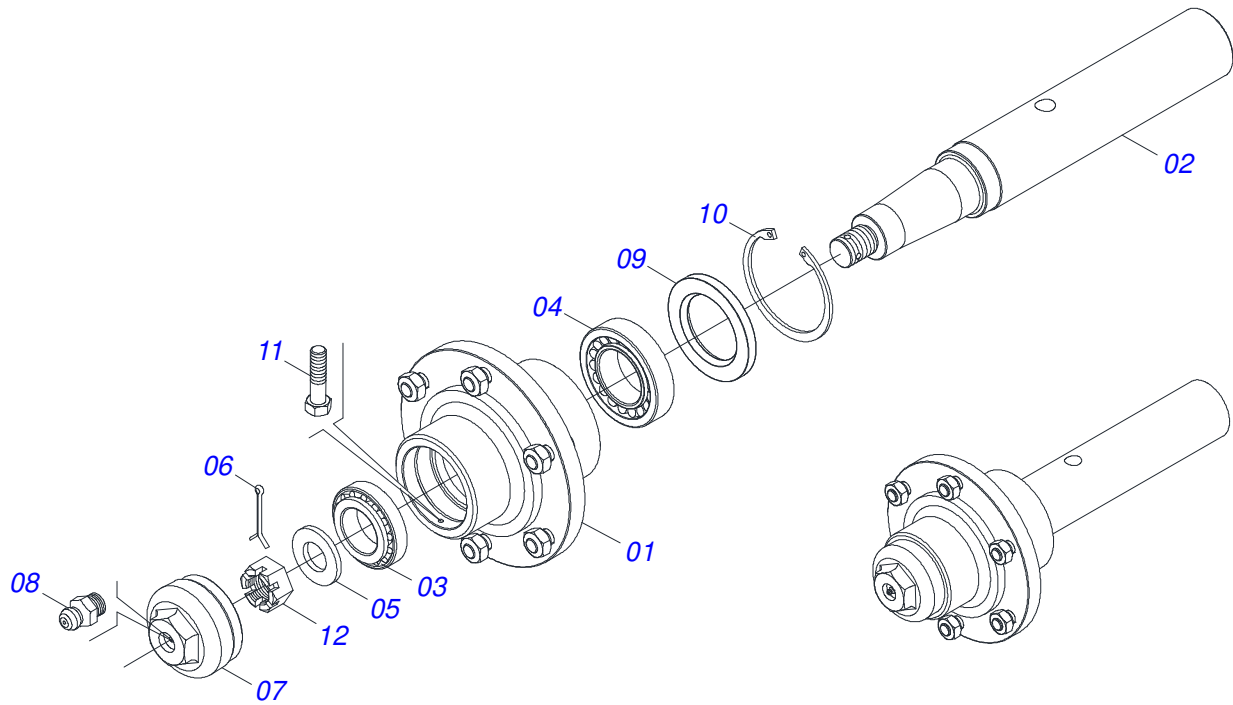
Item	Code	Description	See page	QT
001	0521066816	DRAWBAR SET		01
002	0503010232	5/8" X 1.3/4" BOLT		12
003	0503010027	5/8" SPRING WASHER		12
004	0503010013	5/8" NUT		12
005	0521010549	COUPLING SHAFT		01
006	0503030168	HITCH PIN CLIP		01
007	0503014321	CABLE STEEL SHACKLE		02
008	0503014120	CHAIN		01
009	0503060100	OPERATOR'S MANUAL STORAGE TUBE		01
010	0503010371	5/16" X 1" BOLT		01
011	0503010179	LOCK WASHER		01
012	0503010337	5/16" NUT		01
013	0511058863	250L HYDRAULIC RESERVOIR	7	01
014	0503010060	1/2" NUT		04
015	0503010019	1/2" SPRING WASHER		04
016	0511017302	FLAT WASHER		08
017	0503010920	1/2" X 1.1/2" BOLT		04
018	0503062157	HEADER JACK		01



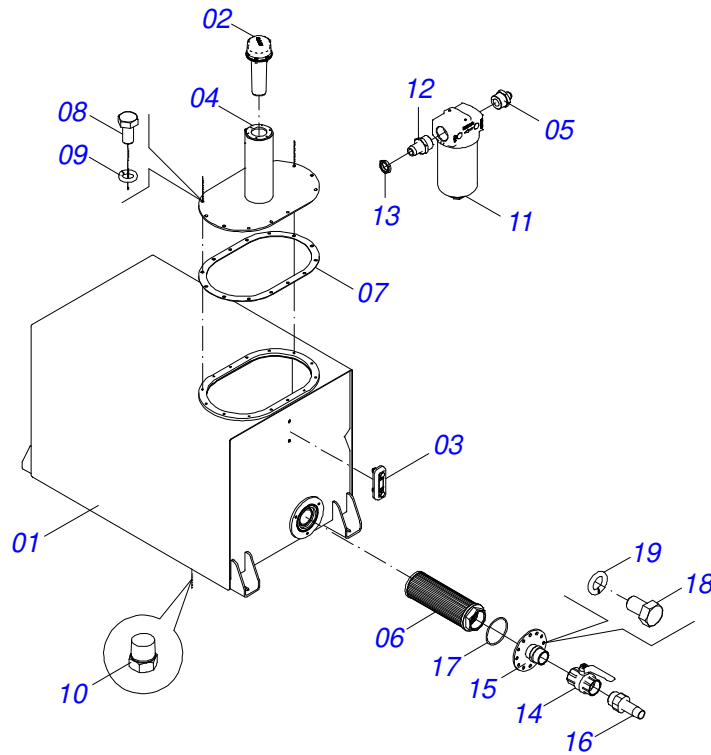
Item	Code	Description	See page	QT
01	0511060324	HOOK HITCH		01
02	0521013914	COUPLING SHAFT		02
03	0503010010	1/4" X 2.1/2" COTTERPIN		02
04	0501069080	COUPLING SHAFT		01
05	0503031035	HITCH PIN CLIP		01



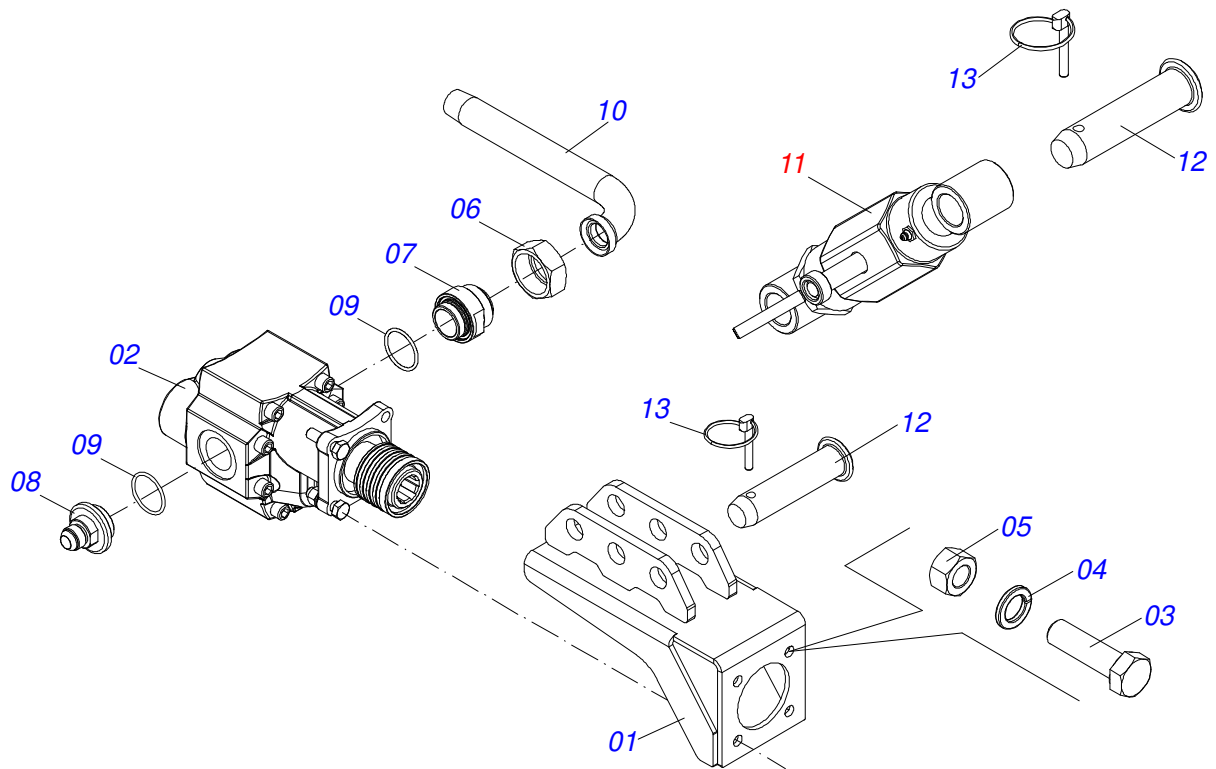
Item	Code	Description	See page	QT
001	0521064240	ROCKER		01
002	0531012244	BUSHING		02
003	0521066803	ADJUSTMENT ROCKER ARM ASSY		01
004	0521064241	PIVOT SHAFT ROCKER ARM		01
005	0571014331	FLAT WASHER		01
006	0502040080	FLANGE NUT R.2.1/2 UN		01
007	0503012213	1/4" COTTERPIN		01
008	0503010002	1800 GREASE FITTING		01
009	0501055850	CARRYNG WHEEL HUB ASSEMBLY SET	6	02
010	0503011084	3/4" X 5" BOLT		02
011	0503010023	3/4" SPRING WASHER		02
012	0503010014	3/4" NUT		02
013	0501014251	FLAT WASHER		01
014	0503010408	7/8" SPRING WASHER		01
015	0503010417	7/8" NUT		01
016	0503013586	7/8" NC X 8.1/2" BOLT		01



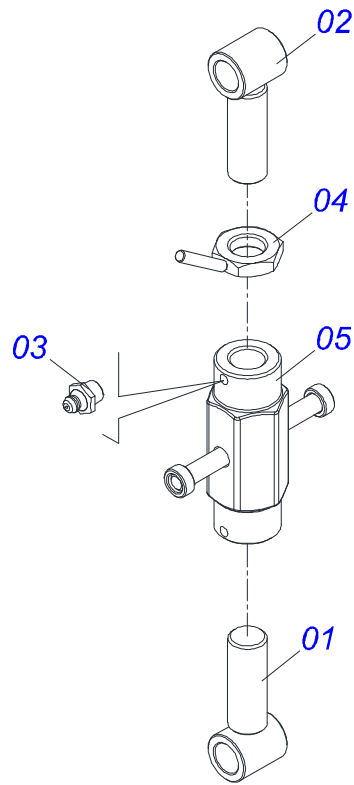
Item	Code	Description	See page	QT
01	0501110766	HUB CARRYING WHEELS WITH BOLT		01
02	0541014720	CR 7076205/1/1 AXLE		01
03	0503010006	32210 ROLLER BEARING		01
04	0503010005	32212 ROLLER BEARING		01
05	0501010086	FLAT WASHER		01
06	0503010067	3/16" X 2.1/2" COTTER PIN		01
07	0502011647	COVER		01
08	0503010691	1/4" GREASE FITTING		01
09	0503010009	RETAINER 00573-B		01
10	0503012723	502115 RENO RING		01
11	0503010298	1/4" X 1/2" BOLT		01
12	0503012457	UNF 1.1/4" CASTLE NUT		01



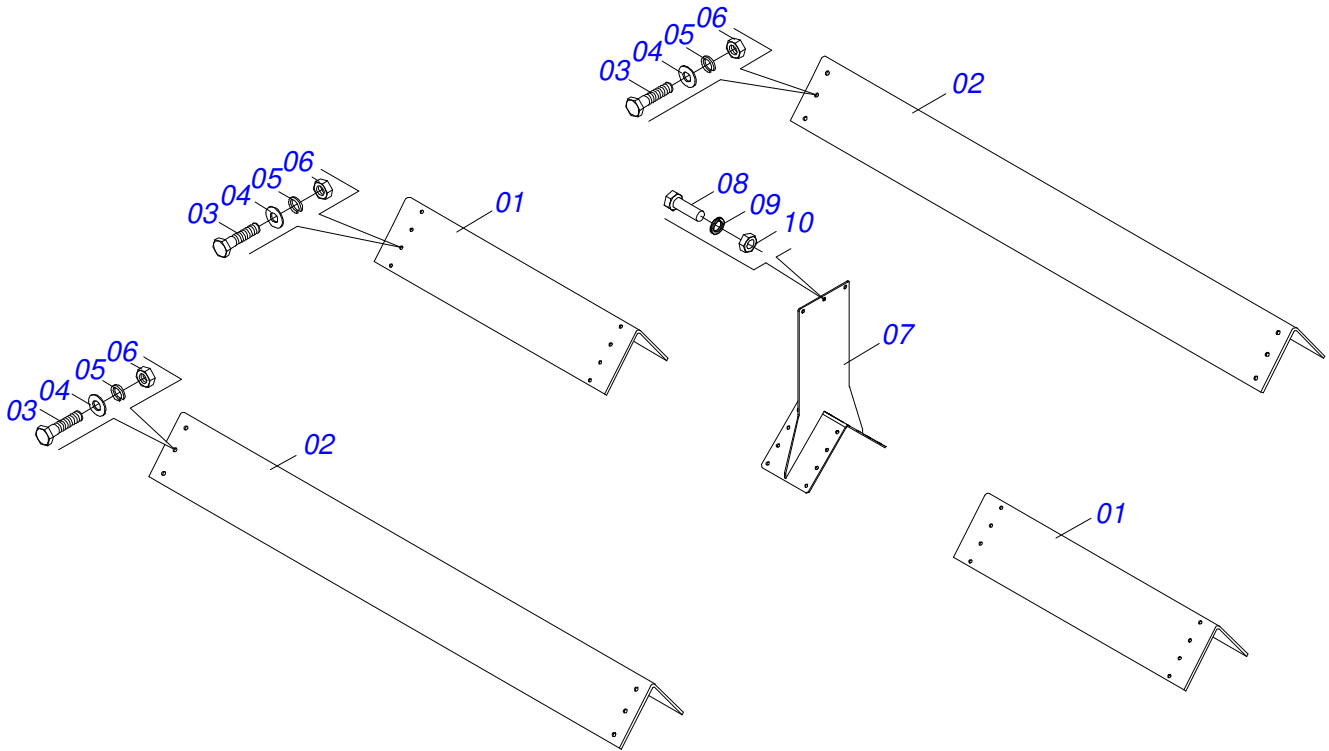
Item	Code	Description	See page	QT
001	0521066815	RESERVOIR BODY		01
002	0503015407	AIR FILTER		01
003	0503014246	VISOR OIL LEVEL		01
004	0511069571	TANK PROLONG		01
005	0561013560	TERMINAL		01
006	0503015406	SUCTION FILTER		01
007	0503033007	JOINT RUBBER		01
008	0503010295	SCREW 5/16 UNC X 5/8 CS G.2 ZN		14
009	0503010179	LOCK WASHER		14
010	0503031604	1/2" BSP PLUG		01
011	0503062619	RETURNING FILTER		01
012	0551011328	1-1/2" NIPPLE		01
013	0501010594	1" NUT		01
014	0503015408	BALL VALVES		01
015	0501078665	TUBE TO REGISTO		01
016	0561014304	HOSE NIPPLE		01
017	0503010127	2-238 N 3000-7B O'RING		01
018	0503015321	3/8 UNC X 5/8 C S G.2 ZN BOLT		03
019	0503010025	3/8" SPRING WASHER		03



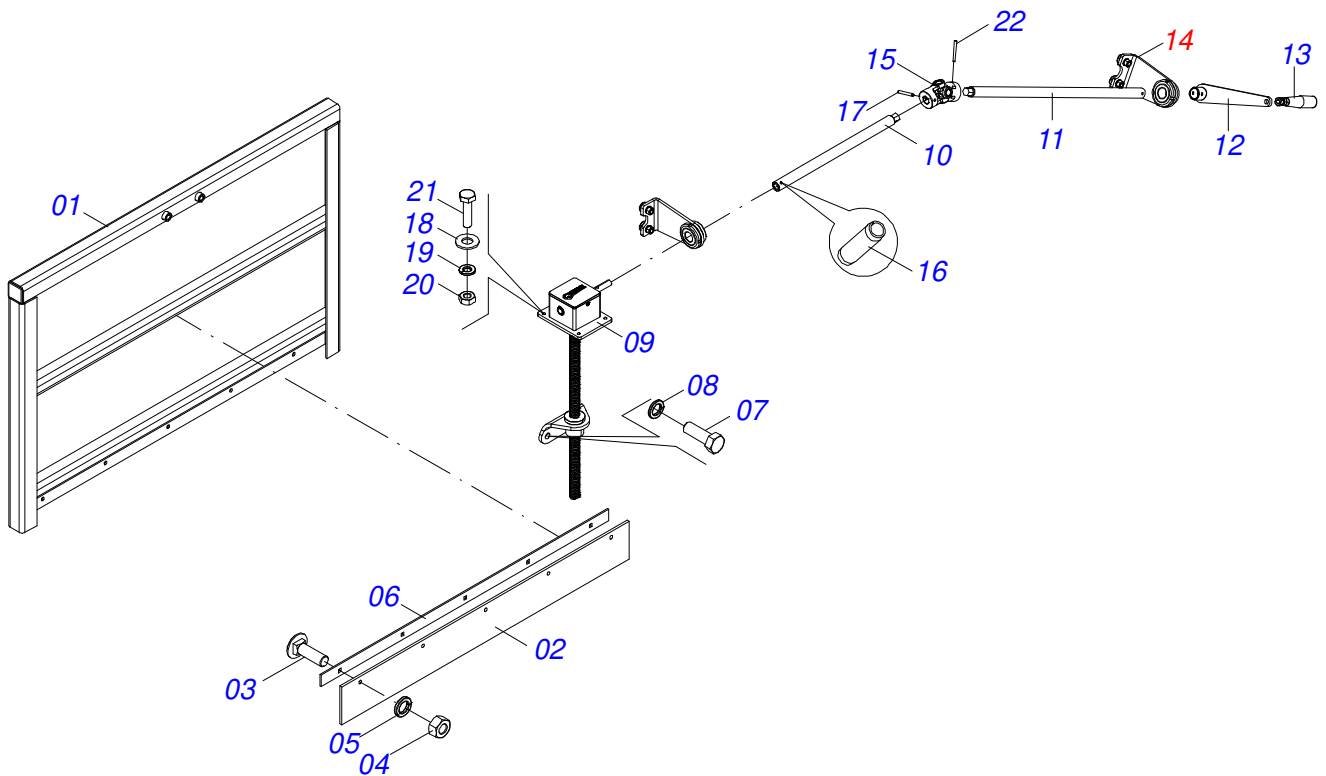
Item	Code	Description	See page	QT
01	0521064275	SUPPORT PUMP HYDRAULIC		01
02	0503061979	HYDRAULIC PUMP		01
03	0503011082	C1/2" X 1.3/4" SCREW		04
04	0503010019	1/2" SPRING WASHER		04
05	0503010060	1/2" NUT		04
06	0501016309	2" 1X 2.5/16" NUT		01
07	0571016803	NIPLE 1.1/4 BSP X 2 UNC		01
08	0571016794	NIPLE 1.1/6 UNC X 1.1/4 BSP		01
09	0503013917	O`RING 2-224		02
10	0511062042	TANK OUTER TUBE		01
11	0511055824	TURNBUCKLE	9	01
12	0521810577	COUPLING SHAFT		02
13	0503030085	LOCK PIN		02



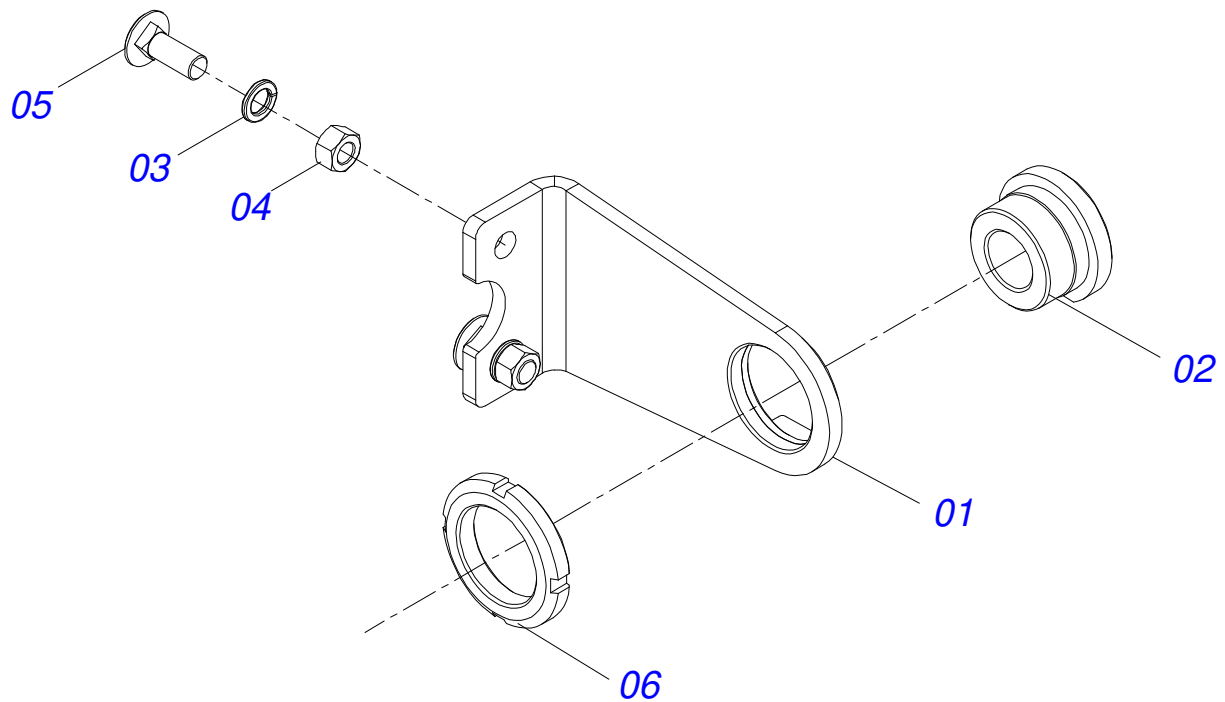
Item	Code	Description	See page	QT
001	0521065114	LH TURNBUCKLE		01
002	0521065115	LH TURNBUCKLE		01
003	0503010002	1800 GREASE FITTING		02
004	0501064974	LOCKNUT WITH HANDLER		01
005	0501110096	165 ADJUSTMENT NUT		01



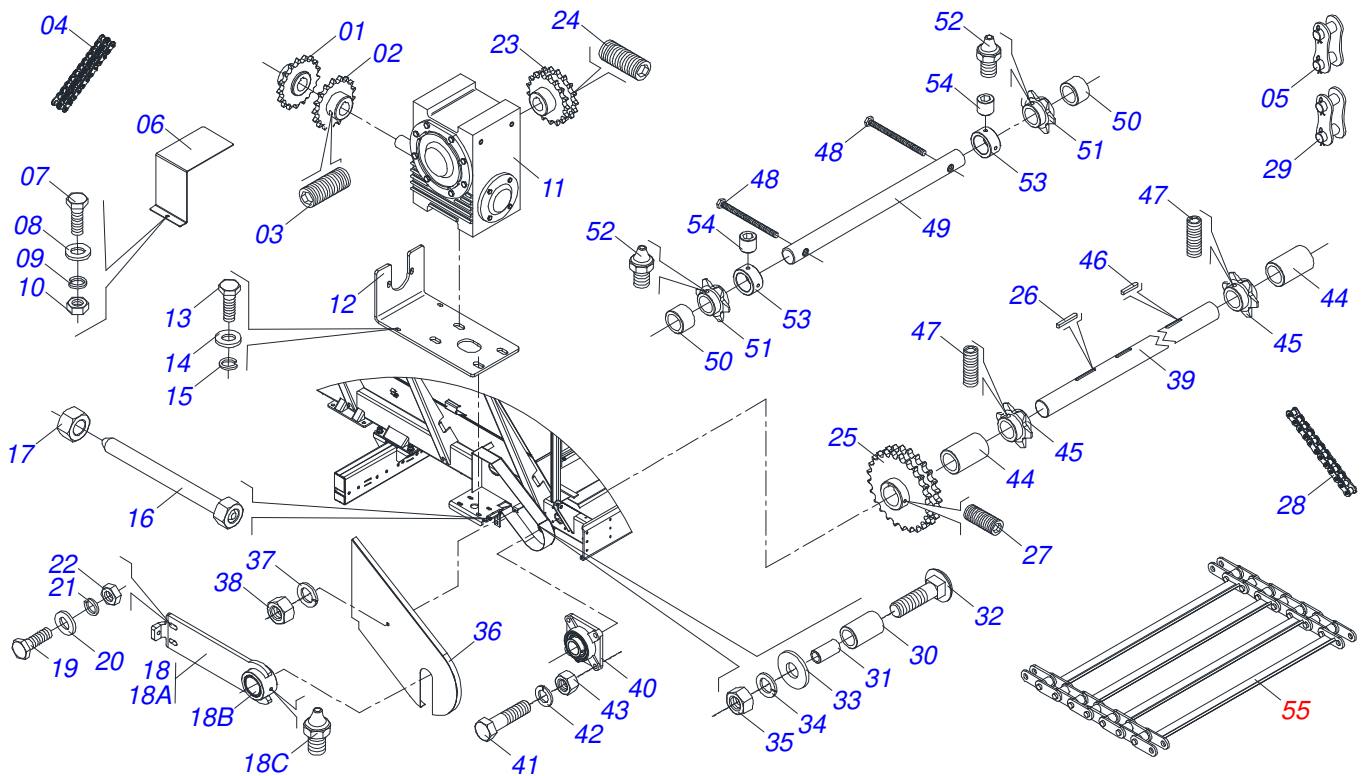
Item	Code	Description	See page	QT
001	0561013486	KIT DEFLECTOR		02
002	0521060837	KIT DEFLECTOR		02
003	0503014007	1/2" X 1-1/4" BOLT		56
004	0511017302	FLAT WASHER		56
005	0503010019	1/2" SPRING WASHER		56
006	0503010060	1/2" NUT		56
007	0521060839	SUPPORT		01
008	0503011267	BOLT 5/8 UNC X 1.1/2 C S G.5 ZN		03
009	0503010027	5/8" SPRING WASHER		03
010	0503010013	5/8" NUT		03



Item	Code	Description	See page	QT
001	0521066806	SLUICE VALVE		01
002	0561013499	RUBBER		01
003	0503011953	5/16" X 1" BOLT		05
004	0503010337	5/16" NUT		05
005	0503010179	LOCK WASHER		05
006	0561013498	RUBBER		01
007	0501010063	1/2" X 1-1/2" BOLT		02
008	0503010019	1/2" SPRING WASHER		02
009	0503062555	SLUICE DRIVING		01
010	0581011255	AXLE		01
011	0581011254	AXLE		01
012	0521066805	CRANK		01
013	0503011312	ROTATIVE CABLE		01
014	0511058856	BEARING	12	02
015	0501056296	UNIVERSAL JOINT		01
016	0503010686	0.2" X 0.7" SPRING PIN		01
017	0503010585	0,24" X 1.18" SPRING PIN		01
018	0501010694	FLAT WASHER		04
019	0503010143	1/4" SPRING WASHER		04
020	0503013814	1/4" NC LOCKNUT		04
021	0503010461	1/4" X 1" BOLT		04
022	0503011855	0.2" X 1.8" SPRING PIN		02

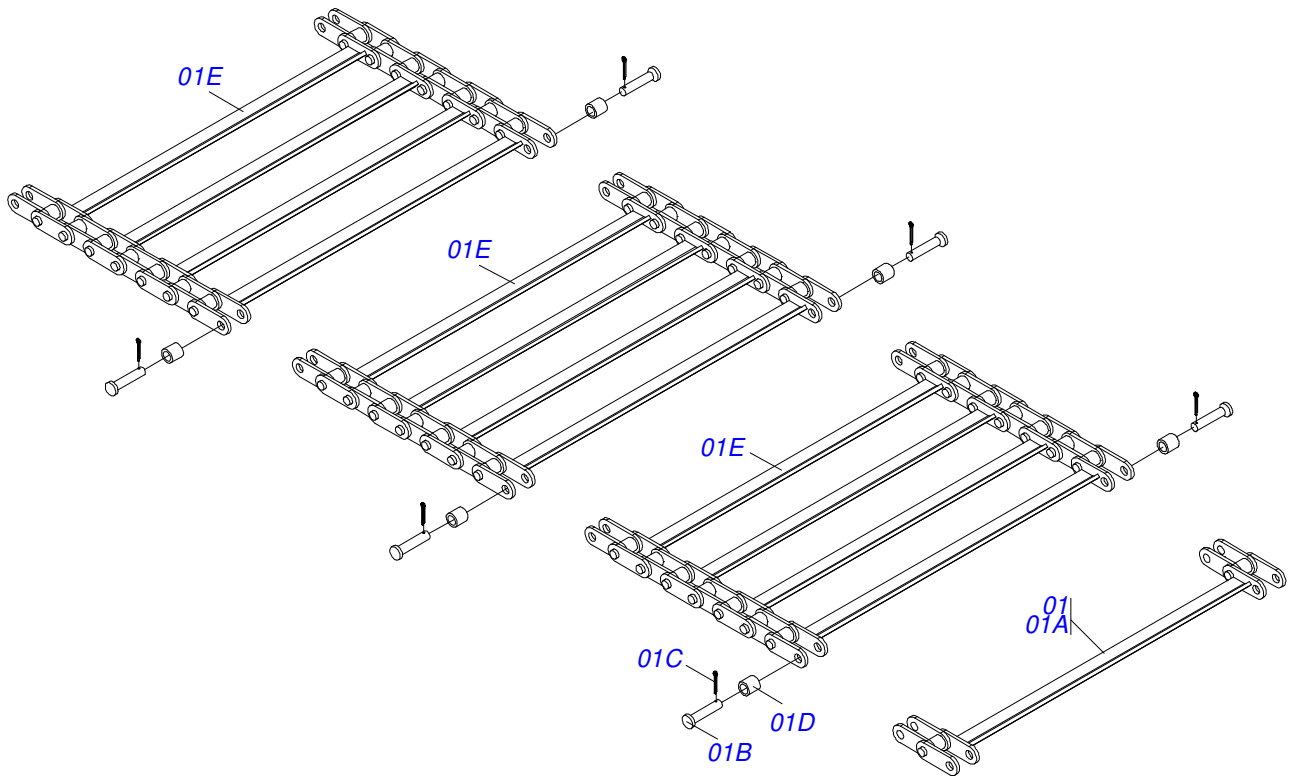


Item	Code	Description	See page	QT
001	0521066807	BEARING		01
002	0581011256	SLEEVE		01
003	0503010025	3/8" SPRING WASHER		02
004	0503010026	3/8" NUT		02
005	0503012540	3/8" X 1" BOLT		02
006	0503010211	KM- 8 LOCKNUT		01

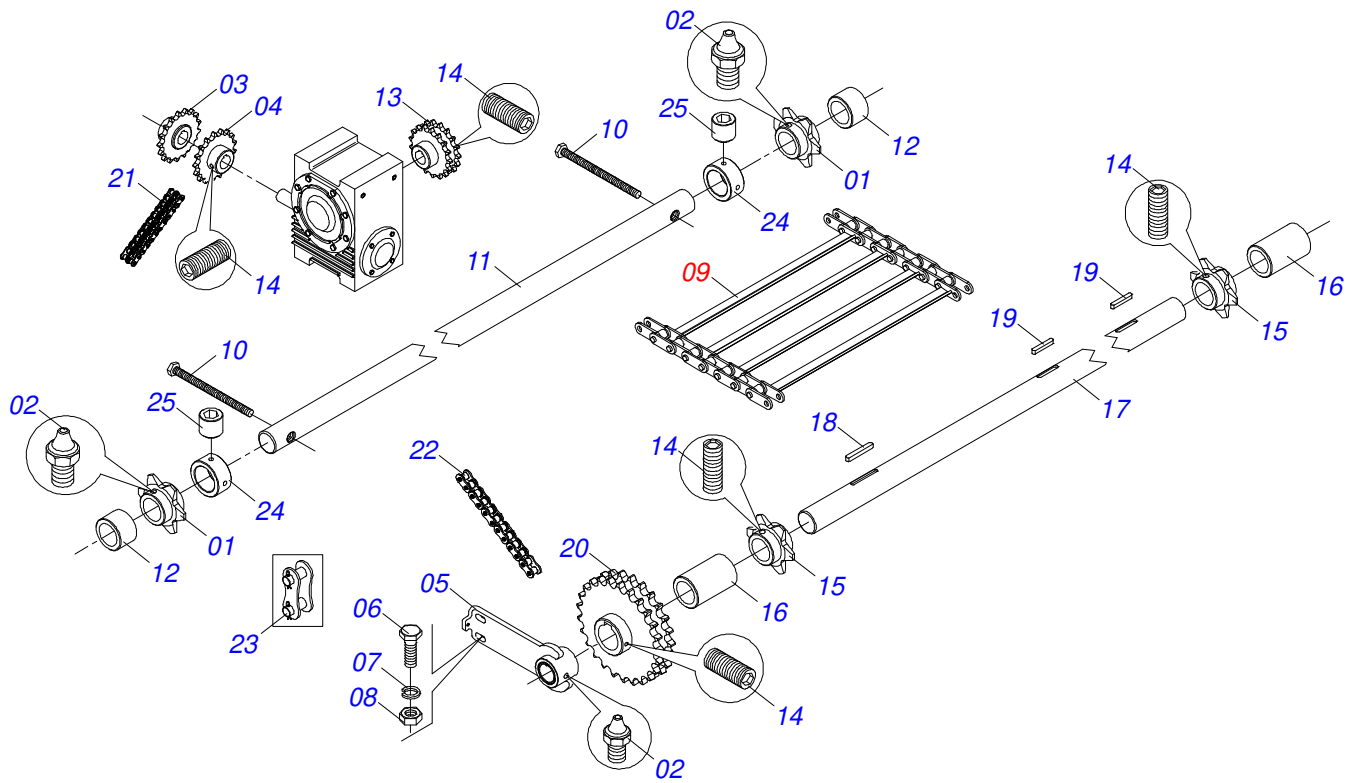


Item	Code	Description	See page	QT
01	0521060471	TRANSMISSION COUPLING		01
02	0521060472	TRANSMISSION COUPLING		01
03	0503013221	3/8 UNC X 3/8 S C S I BOLT		01
04	0503017494	CHAIN		01
05	0503017495	AMENDMENT		01
06	0541019655	PROTECTION DFT		01
07	0503011087	3/8" X 1" BOLT		01
08	0501010984	FLAT WASHER		01
09	0503010025	3/8" SPRING WASHER		01
10	0503010026	3/8" NUT		01
11	0503062309	REDUCTOR		01
12	0561013576	MOTOR SUPPORT		01
13	0503011322	M20 X 2,5 X 50 BOLT		04
14	0501010076	FLAT WASHER		04
15	0503010408	7/8" SPRING WASHER		04
16	0521065433	TIGHTENER AXLE		02
17	0503010060	1/2" NUT		02
18	0501110717	FIXER ARM		01
18A	0521060849	ARM ASSEMBLY		01
18B	0541017295	BUSHING		01
18C	0503010002	1800 GREASE FITTING		01
19	0503011082	C1/2" X 1.3/4" SCREW		02
20	0501010937	13.5 X 28 X 3 FLAT WASHER		04
21	0503010019	1/2" SPRING WASHER		02
22	0503010060	1/2" NUT		02
23	0521060851	GEAR		01
24	0503013221	3/8 UNC X 3/8 S C S I BOLT		01
25	0521060853	GEAR		01
26	0561013587	KEYWAY		01
27	0503013221	3/8 UNC X 3/8 S C S I BOLT		01
28	0503017493	CHAIN X		01

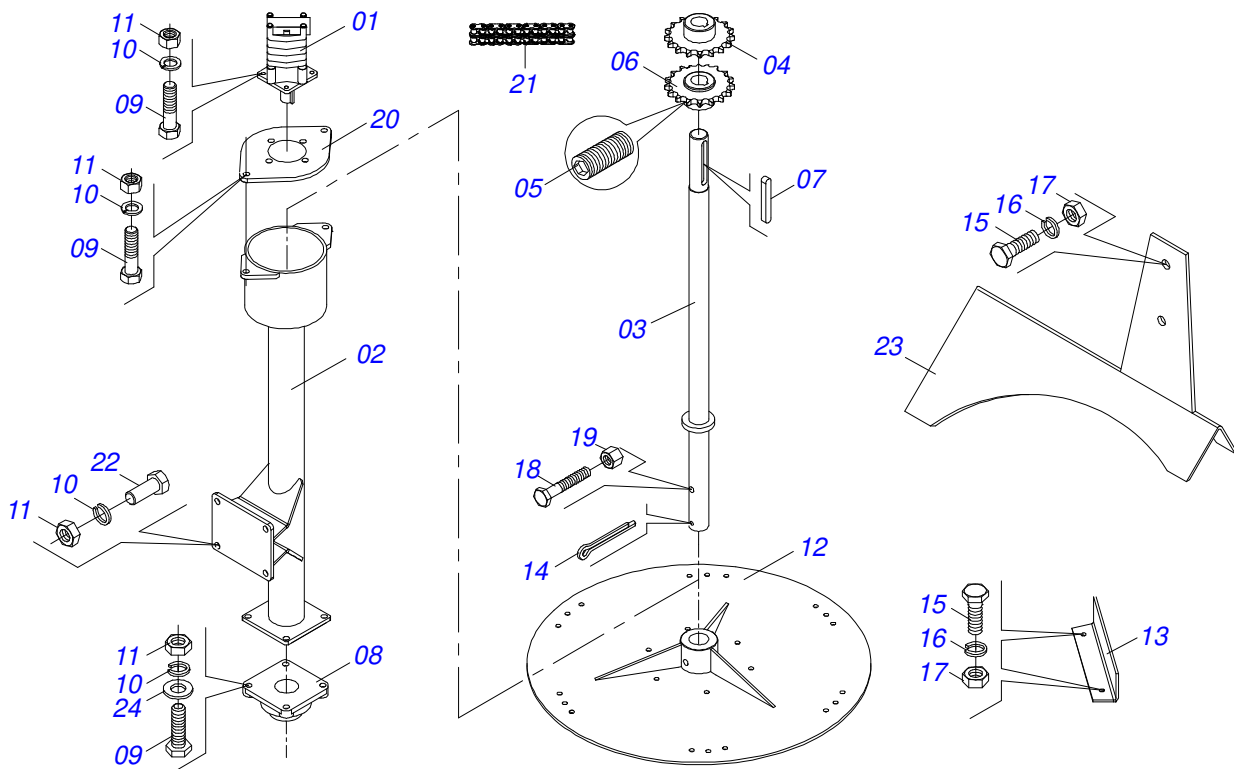
Item	Code	Description	See page	QT
29	0503015190	AMENDMENT		01
30	0541013594	ROLLER		01
31	0541013595	CHAIN TIGHTENER		01
32	0503012110	1/2" X 3-3/4" BOLT		01
33	0511017302	FLAT WASHER		01
34	0503010019	1/2" SPRING WASHER		01
35	0503010060	1/2" NUT		01
36	0521065331	PROTECTIVE COVER		01
37	0503010025	3/8" SPRING WASHER		01
38	0503010026	3/8" NUT		01
39	0561013568	REAR AXLE		01
40	0503015404	ROLMAX BEARING ASSEMBLY WITH BEARING		02
41	0501010100	SCREW 5/8 UNC X 2 CS G.5 ZN		08
42	0503010027	5/8" SPRING WASHER		08
43	0503010013	5/8" NUT		08
44	0561013571	RING		02
45	0521060847	GEAR		02
46	0561013588	KEYWAY		02
47	0503013221	3/8 UNC X 3/8 S C S I BOLT		02
48	0521064008	TIGHTENER AXLE		02
49	0561013569	AXLE DISC		01
50	0561013570	RING		02
51	0521060848	GEAR		02
52	0503010691	1/4" GREASE FITTING		02
53	0541013563	FIXING RING		02
54	0503013221	3/8 UNC X 3/8 S C S I BOLT		04
55	0501059150	MAT	14	01



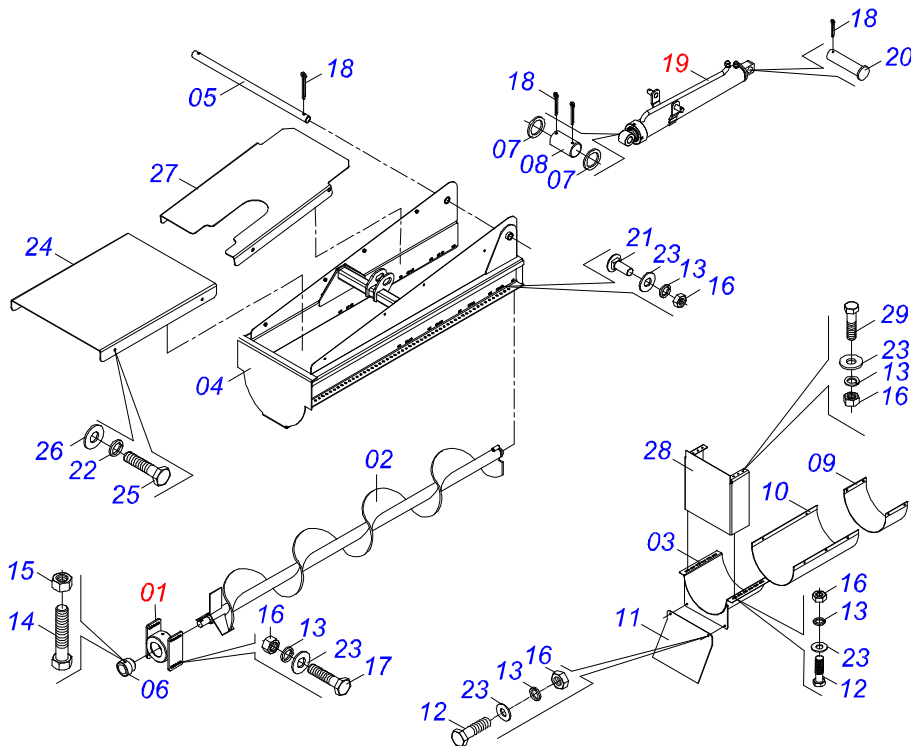
Item	Code	Description	See page	QT
01	0501059150	MAT	14	01
01A	0501078667	MAT		01
01B	0541019096	PIN		36
01C	0503010577	3/16" X 1-1/4" COTTERPIN		36
01D	0541019094	BUSHING		36
01E	0501078668	MAT		17



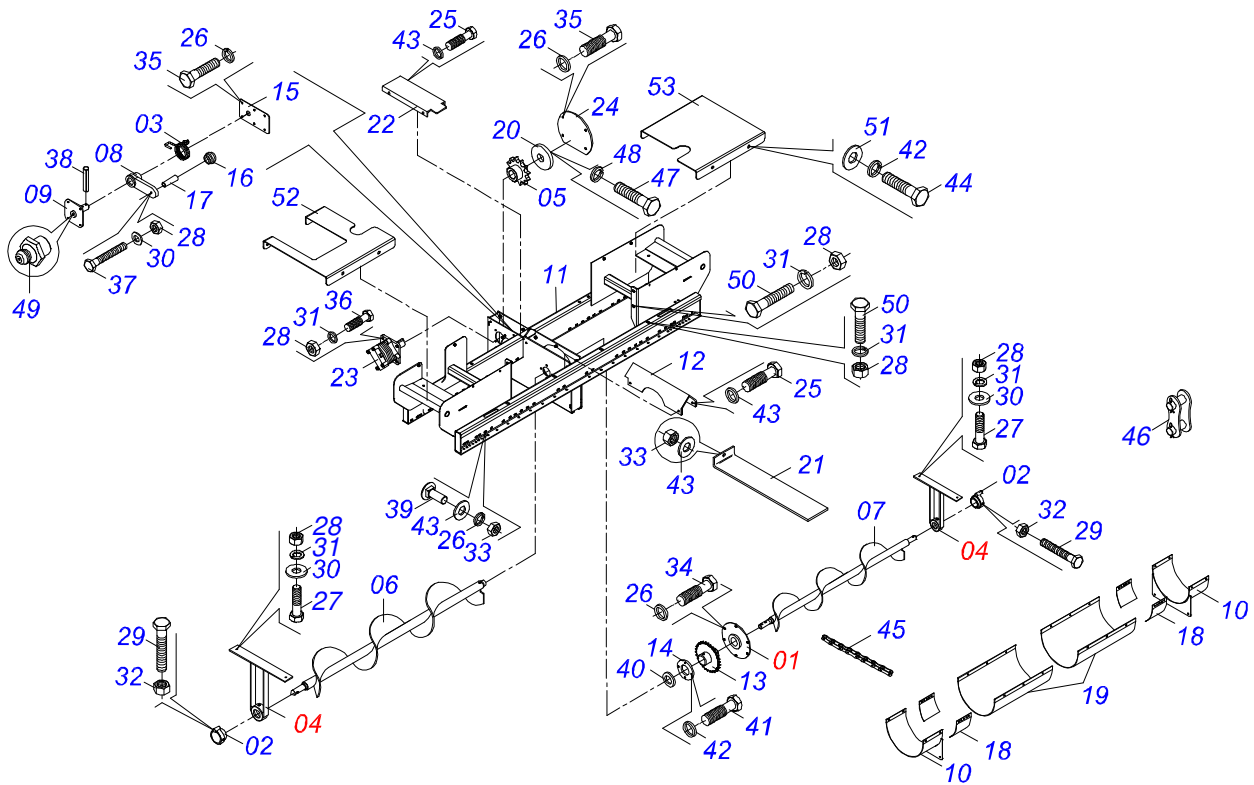
Item	Code	Description	See page	QT
01	0521060848	GEAR		02
02	0503010691	1/4" GREASE FITTING		05
03	0521060471	TRANSMISSION COUPLING		01
04	0521060472	TRANSMISSION COUPLING		01
05	0501110717	FIXER ARM		01
06	0501010161	1/2" X 1.1/4" BOLT		02
07	0503010019	1/2" SPRING WASHER		02
08	0503010060	1/2" NUT		02
09	0501059150	MAT	14	01
10	0501078666	AXLE DISC		02
11	0561013569	AXLE DISC		01
12	0561013570	RING		02
13	0521060851	GEAR		01
14	0503013221	3/8 UNC X 3/8 S C S I BOLT		08
15	0521060847	GEAR		02
16	0561013571	RING		02
17	0561013568	REAR AXLE		01
18	0561013587	KEYWAY		01
19	0561013588	KEYWAY		02
20	0521060853	GEAR		01
21	0503032768	CHAIN		01
22	0503015402	CHAIN		01
23	0503015190	AMENDMENT		01
24	0541013563	FIXING RING		02
25	0503013221	3/8 UNC X 3/8 S C S I BOLT		04



Item	Code	Description	See page	QT
01	0503015418	MOTOR		02
02	0521060876	BEARING		02
03	0521060866	TRANSMISSION AXLE		02
04	0521060471	TRANSMISSION COUPLING		02
05	0503013221	3/8 UNC X 3/8 S C S I BOLT		04
06	0521060472	TRANSMISSION COUPLING		02
07	0561011878	KEYWAY		02
08	0511043699	BEARING		02
09	0503011082	C1/2" X 1.3/4" SCREW		21
10	0503010019	1/2" SPRING WASHER		28
11	0503010060	1/2" NUT		28
12	0501076439	LEFT DISC		02
13	0541013660	SHOVEL		12
14	0503010523	1/4" X 2" COTTERPIN		02
15	0503011087	3/8" X 1" BOLT		26
16	0503010025	3/8" SPRING WASHER		24
17	0503010026	3/8" NUT		24
18	0503010547	1/2" X 4" BOLT		02
19	0503010589	1/2" UNC SELF ADJUSTING NUT		02
20	0561013622	FLANGE		02
21	0503017494	CHAIN		02
22	0503010395	1/2" X 1-1/4" BOLT		08
23	0521060865	REAR DEFLECTOR		01
24	0511017302	FLAT WASHER		08

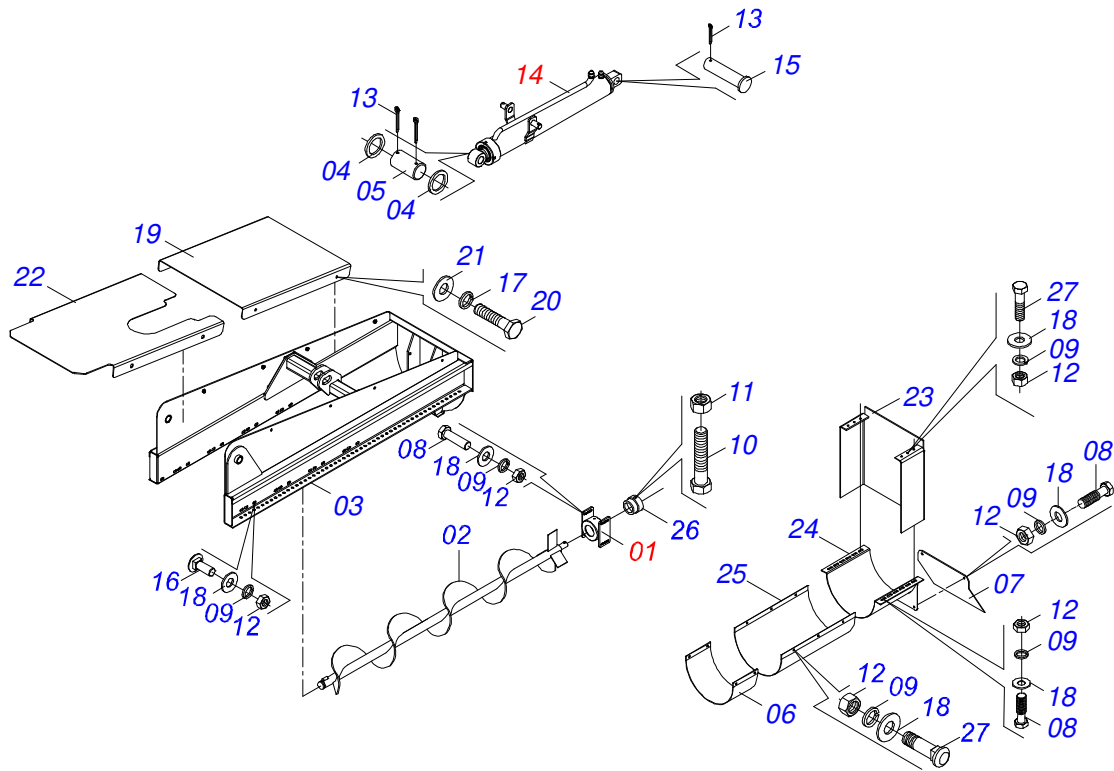


Item	Code	Description	See page	QT
01	0511045115	BEARING ASSEMBLY	25	01
02	0511067719	AXLE DISC		01
03	0511067898	REGULATOR		01
04	0521065436	LH KIT DISTRIBUTOR		01
05	0551010858	PIN		01
06	0551010872	BUSHING		01
07	0551010893	WASHER		02
08	0551010894	PIN		01
09	0551012165	REGULATOR		01
10	0551012166	REGULATOR		01
11	0561013623	BODY DISTRIBUTOR		01
12	0503011087	3/8" X 1" BOLT		12
13	0503010025	3/8" SPRING WASHER		26
14	0503010752	1/2" X 3.1/2" BOLT		01
15	0503011336	1/2" HEX SELF ADJUSTING NUT		01
16	0503010026	3/8" NUT		26
17	0503011087	3/8" X 1" BOLT		12
18	0503010131	3/16" X 1-1/2" COTTERPIN		02
19	0511058857	HYDRAULIC CYLINDER 63,50 X 38,10 X 650 X 453	23	01
20	0521019127	PIN		01
21	0501011643	3/8 X 1"BOLT		10
22	0503010179	LOCK WASHER		08
23	0501010984	FLAT WASHER		16
24	0571017505	PROTECTIVE COVER		01
25	0503010358	5/16" X 5/8" BOLT		08
26	0501013518	FLAT WASHER		08
27	0571017482	PROTECTION BODY		01
28	0571014537	RUBBER		01
29	0503010751	C3/8" X 1.1/4" HEX BOLT G.5		04

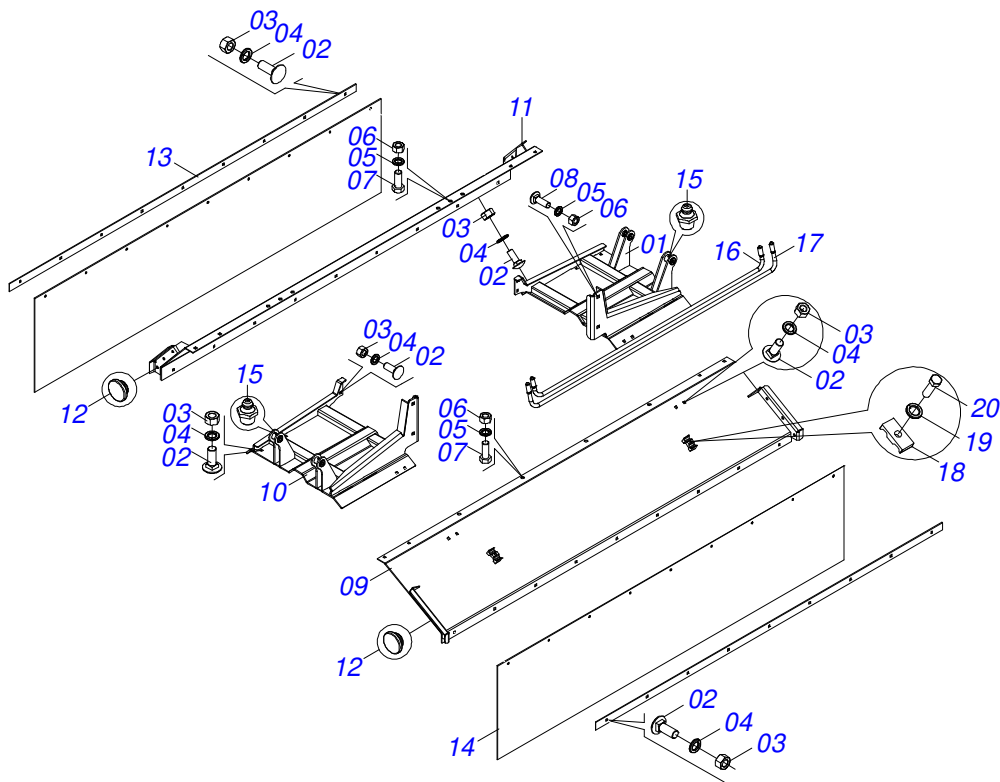


Item	Code	Description	See page	QT
01	0501059151	BEARING ASSEMBLY	24	01
02	0521064213	SLEEVE COUPLING		02
03	0503030417	1.7"X 1.4"X 0.14" RH TORSION SPRING		01
04	0511045116	BEARING ASSEMBLY	26	02
05	0511067514	GEAR		01
06	0511067720	ASSEMBLY		01
07	0511067722	ASSEMBLY		01
08	0511067727	ARM		01
09	0511067728	BASE		01
10	0511067899	REGULATOR		02
11	0521060852	KIT CENTER DISTRIBUTOR		01
12	0521060859	UPPER CLOSED		01
13	0521060861	GEAR		01
14	0541016547	SUPPORT FLANGE CLOTH		01
15	0551010886	COVER		01
16	0551010887	ROLLER		01
17	0551010888	TUBE		01
18	0551012164	LIMITER		04
19	0551012166	REGULATOR		02
20	0551013316	WASHER		01
21	0561013612	LOWER CLOSED		01
22	0561013614	UPPER CLOSED		01
23	0503015411	MOTOR		01
24	0561017703	COVER		01
25	0503011087	3/8" X 1" BOLT		04
26	0503010025	3/8" SPRING WASHER		28
27	0503010920	1/2" X 1.1/2" BOLT		02
28	0503010060	1/2" NUT		10
29	0503010752	1/2" X 3.1/2" BOLT		02
30	0511017302	FLAT WASHER		15
31	0503010019	1/2" SPRING WASHER		10

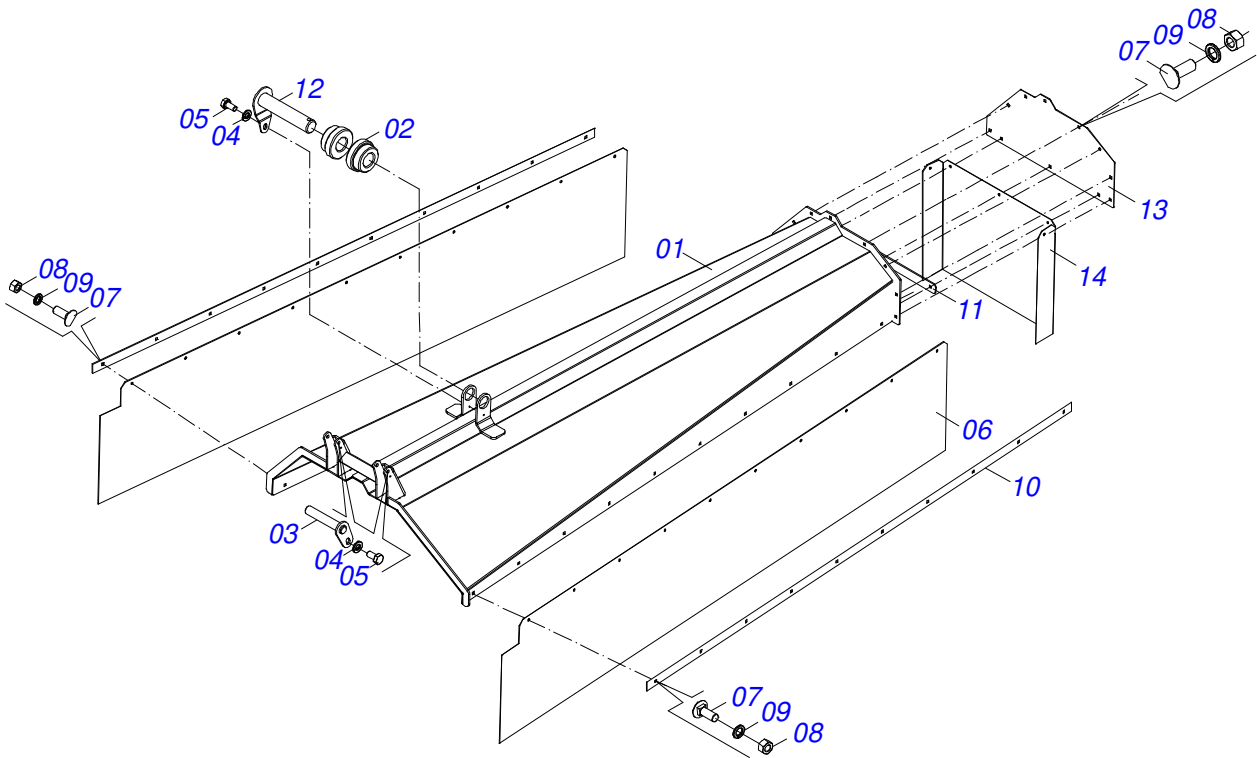
Item	Code	Description	See page	QT
32	0503010589	1/2" UNC SELF ADJUSTING NUT		06
33	0503010026	3/8" NUT		28
34	0503011087	3/8" X 1" BOLT		24
35	0503011334	BOLT 3/8 UNC X 3/4 CS G.5 ZN		04
36	0503011082	C1/2" X 1.3/4" SCREW		04
37	0503010734	1/2" X 2-1/2" BOLT		01
38	0503010775	SPRING PIN		01
39	0501011643	3/8 X 1" BOLT		28
40	0503032420	FELT WASHER		01
41	0503011953	5/16" X 1" BOLT		04
42	0503010179	LOCK WASHER		04
43	0501010984	FLAT WASHER		28
44	0503010358	5/16" X 5/8" BOLT		08
45	0503017481	CHAIN		01
46	0503014083	AMENDMENT WITH LOCK		01
47	0503011294	M 8 X 1,25 X 20 BOLT		01
48	0503014371	M8 SPRING WASHER		01
49	0503010691	1/4" GREASE FITTING		01
50	0501010161	1/2" X 1.1/4" BOLT		06
51	0501013518	FLAT WASHER		08
52	0571017484	PROTECTION BODY		01
53	0571017485	PROTECTION BODY		01



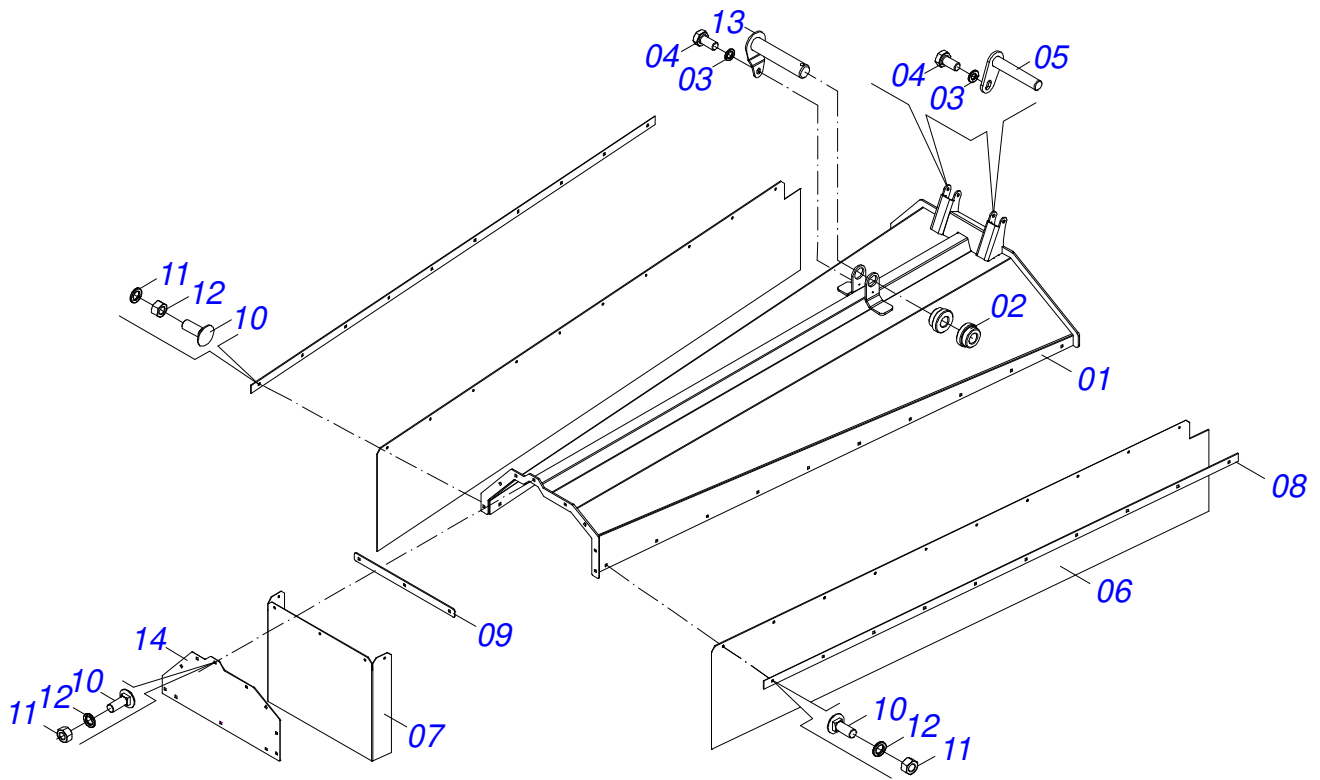
Item	Code	Description	See page	QT
01	0511045115	BEARING ASSEMBLY	25	01
02	0511067723	AXLE DISC		01
03	0521065435	RH KIT DISTRIBUTOR		01
04	0551010893	WASHER		02
05	0551010894	PIN		01
06	0551012165	REGULATOR		01
07	0561013623	BODY DISTRIBUTOR		01
08	0503011087	3/8" X 1" BOLT		12
09	0503010025	3/8" SPRING WASHER		26
10	0503010752	1/2" X 3.1/2" BOLT		01
11	0503011336	1/2" HEX SELF ADJUSTING NUT		01
12	0503010026	3/8" NUT		26
13	0503010131	3/16" X 1-1/2" COTTERPIN		02
14	0511058857	HYDRAULIC CYLINDER 63,50 X 38,10 X 650 X 453	23	01
15	0521019127	PIN		01
16	0501011643	3/8 X 1" BOLT		08
17	0503010179	LOCK WASHER		08
18	0501010984	FLAT WASHER		16
19	0571017505	PROTECTIVE COVER		01
20	0503010358	5/16" X 5/8" BOLT		08
21	0501013518	FLAT WASHER		08
22	0571017483	PROTECTION BODY		01
23	0571014537	RUBBER		01
24	0511067898	REGULATOR		01
25	0551012166	REGULATOR		01
26	0551010872	BUSHING		01
27	0503010751	C3/8" X 1.1/4" HEX BOLT G.5		04



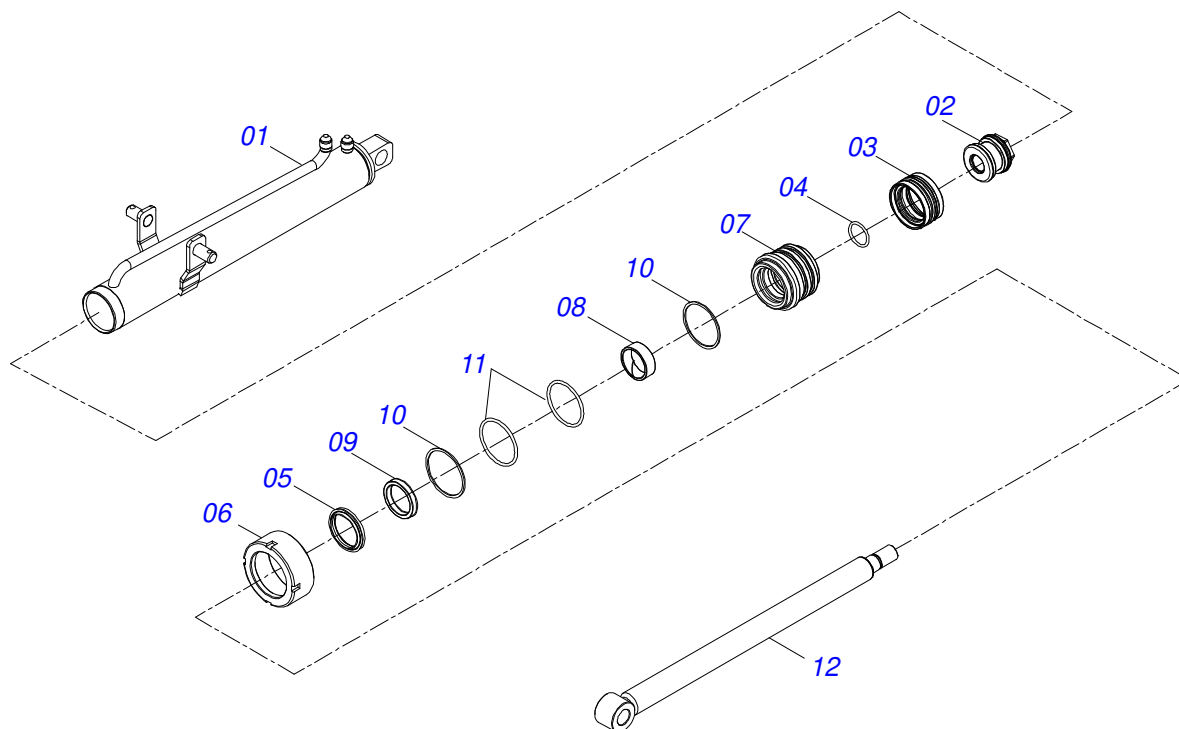
Item	Code	Description	See page	QT
001	0521066813	RH CLOSURE		01
002	0501011643	3/8 X 1" BOLT		38
003	0503010026	3/8" NUT		38
004	0503010025	3/8" SPRING WASHER		38
005	0503010019	1/2" SPRING WASHER		14
006	0503010060	1/2" NUT		14
007	0501010161	1/2" X 1.1/4" BOLT		10
008	0503014378	1/2" X 1-1/2" BOLT		04
009	0521066812	CENTER BODY		01
010	0521066814	LH CLOSURE		01
011	0521066811	CENTER BODY		01
012	0503032594	30 X 13 X 19 PLUG		12
013	0581011284	LOCK		02
014	0581011285	RUBBER		02
015	0503010002	1800 GREASE FITTING		04
016	0521065438	HYDRAULIC TUBE		01
017	0521065437	HYDRAULIC TUBE		01
018	1902010477	UPPER CLAMP BODY		02
019	0503010180	7/16" SPRING WASHER		02
020	0503011135	BOLT		02



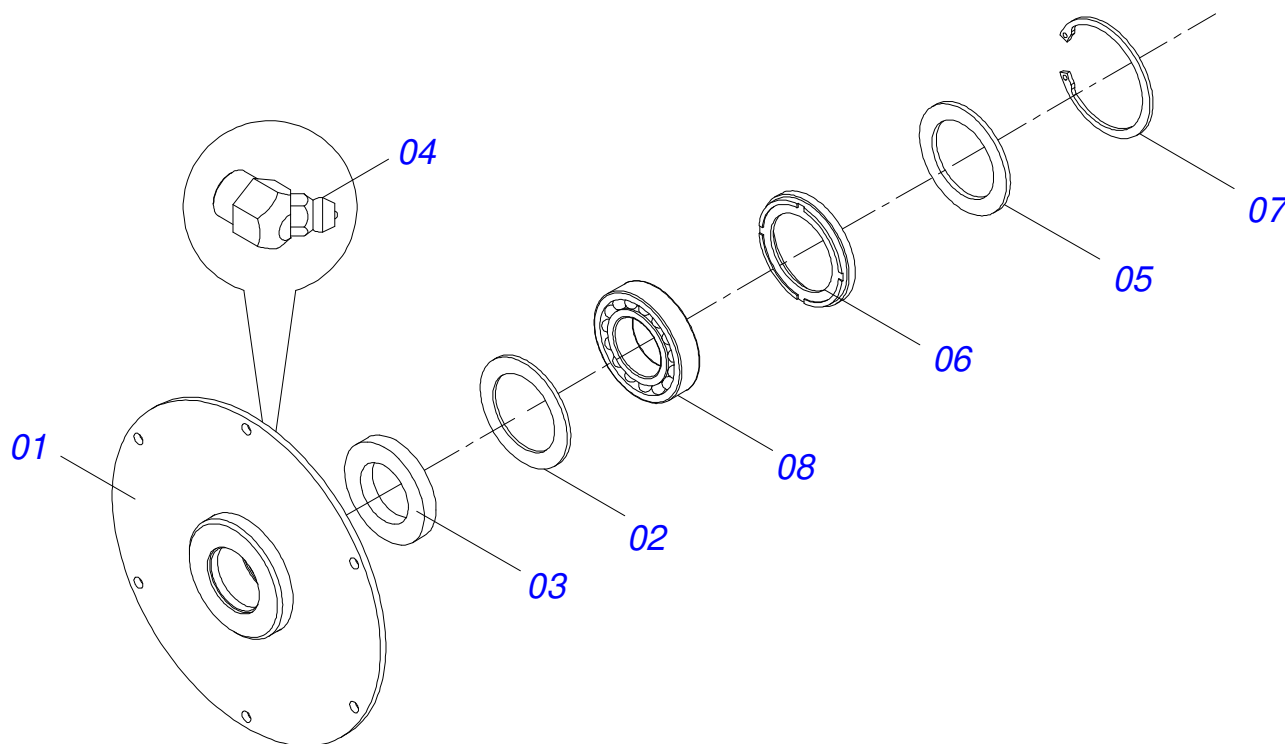
Item	Code	Description	See page	QT
001	0521066825	LH DAMPER MOBILI		01
002	0581011320	SLEEVE		02
003	0521066824	PIN		02
004	0503010143	1/4" SPRING WASHER		03
005	0503011812	BOLT M6 X 1 X 12 CS 8.8 ZN		03
006	0581011313	RUBBER		02
007	0501011643	3/8 X 1" BOLT		31
008	0503010026	3/8" NUT		31
009	0503010025	3/8" SPRING WASHER		31
010	0581011324	LOCK		02
011	0581011325	LOCK		01
012	0521066823	PIN		01
013	0581011326	FRONT BODY		01
014	0581011323	RUBBER		01



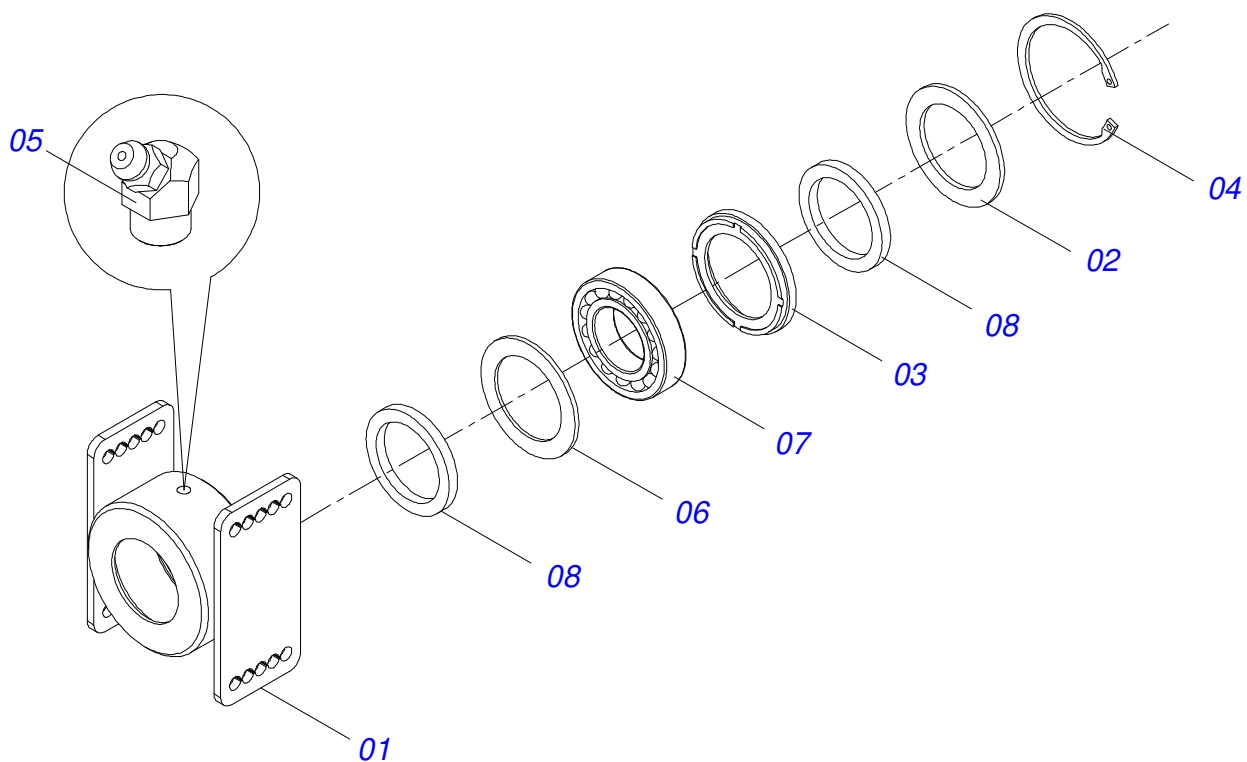
Item	Code	Description	See page	QT
001	0521066826	LH DAMPER MOBILE	01	
002	0581011320	SLEEVE	02	
003	0503010143	1/4" SPRING WASHER	03	
004	0503011812	BOLT M6 X 1 X 12 CS 8.8 ZN	03	
005	0521066824	PIN	02	
006	0581011313	RUBBER	02	
007	0581011323	RUBBER	01	
008	0581011324	LOCK	02	
009	0581011325	LOCK	01	
010	0501011643	3/8 X 1" BOLT	31	
011	0503010026	3/8" NUT	31	
012	0503010025	3/8" SPRING WASHER	31	
013	0521066823	PIN	01	
014	0581011326	FRONT BODY	01	



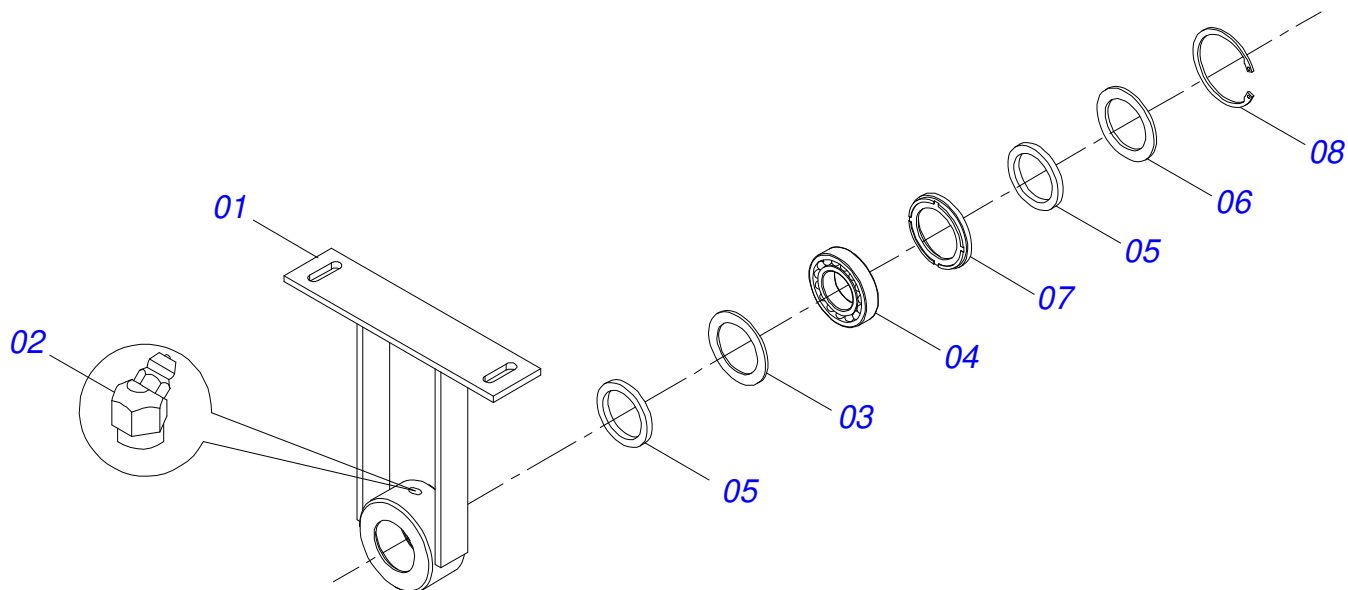
Item	Code	Description	See page	QT
001	0521066832	SET SHIRT		01
002	0502012837	PISTON		01
003	0503018005	RING		01
004	0503011109	2-119 N 3006-9B O'RING		01
005	0503010163	D-1500 SCRAPER RING		01
006	0502010471	MOBILE COVER		01
007	0581010668	RING SUPPORT		01
008	0503018004	RING		01
009	0503018003	GASKET		01
010	0503018163	BACK-UP RING		02
011	0503018162	O'RING		02
012	0521066820	TURNBUCLE		01



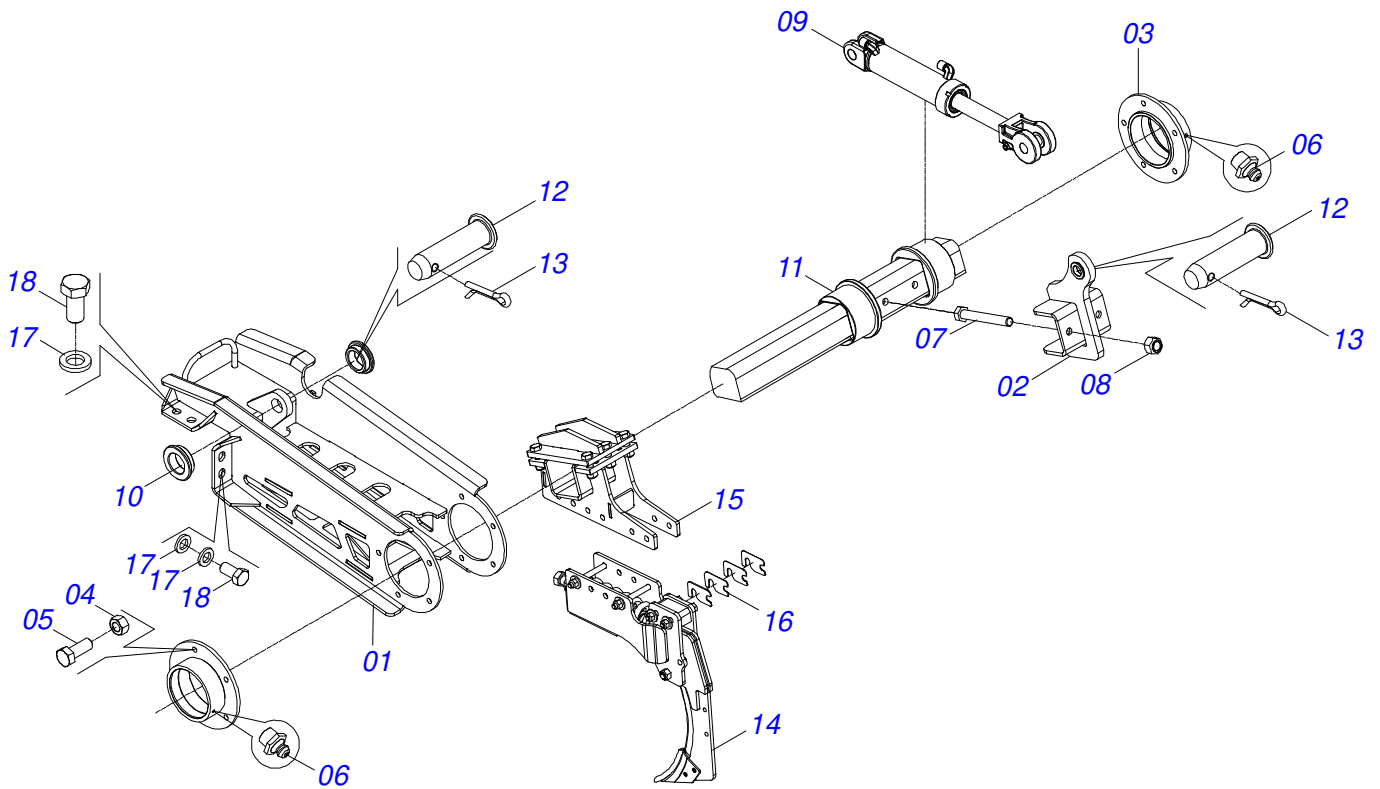
Item	Code	Description	See page	QT
01	0521064210	BEARING SUPPORT		01
02	0541016557	FELT WASHER SUPPORT		01
03	0503032420	FELT WASHER		02
04	0503010003	1845 GREASE FITTING		01
05	0541016558	FLAT WASHER		01
06	0541016556	FELT GUIDE ROLLER HUB		01
07	0503013200	502085 CLAMPING RING (FOR AXLE)		01
08	0503013511	1209-E BEARING ASSY		01



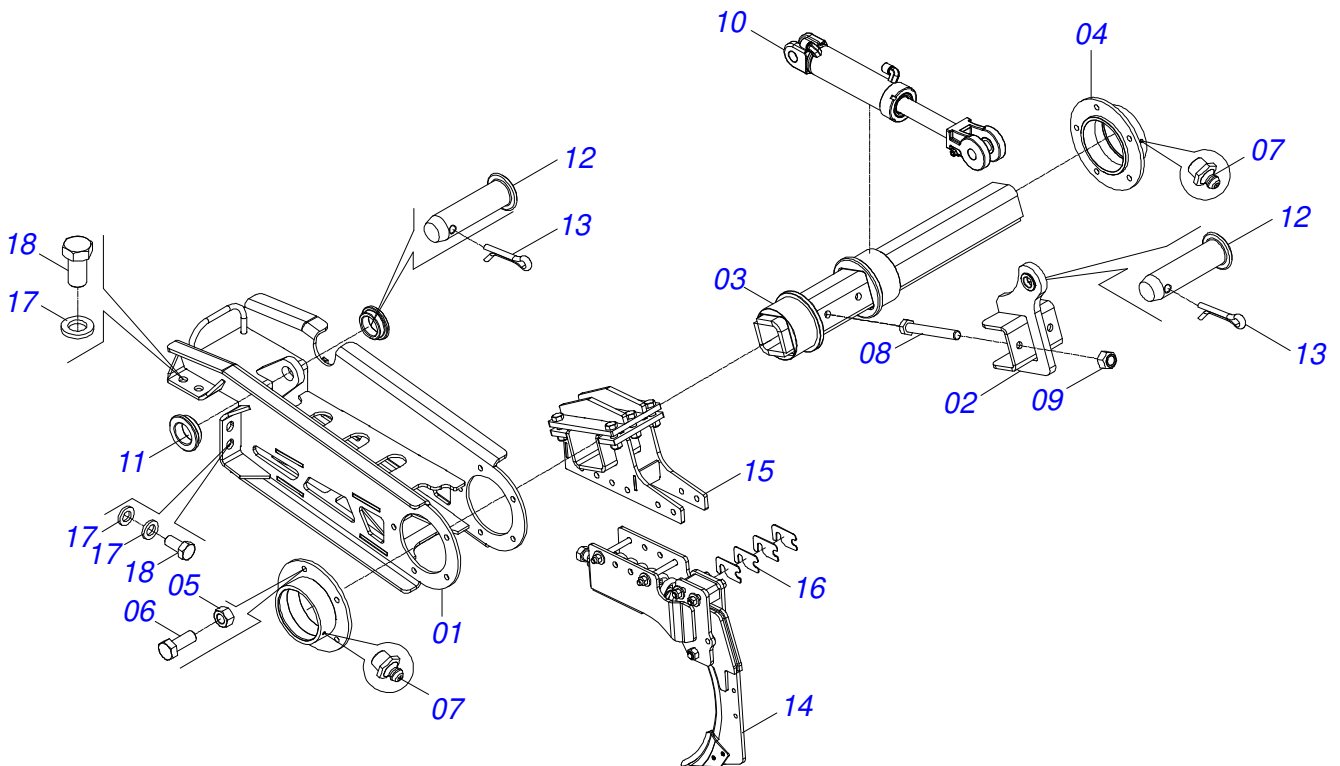
Item	Code	Description	See page	QT
001	0511067725	FIXER BEARING		01
002	0541016558	FLAT WASHER		01
003	0541016556	FELT GUIDE ROLLER HUB		01
004	0503013200	502085 CLAMPING RING (FOR AXLE)		01
005	0503010003	1845 GREASE FITTING		01
006	0541016557	FELT WASHER SUPPORT		01
007	0503013511	1209-E BEARING ASSY		01
008	0503032420	FELT WASHER		02



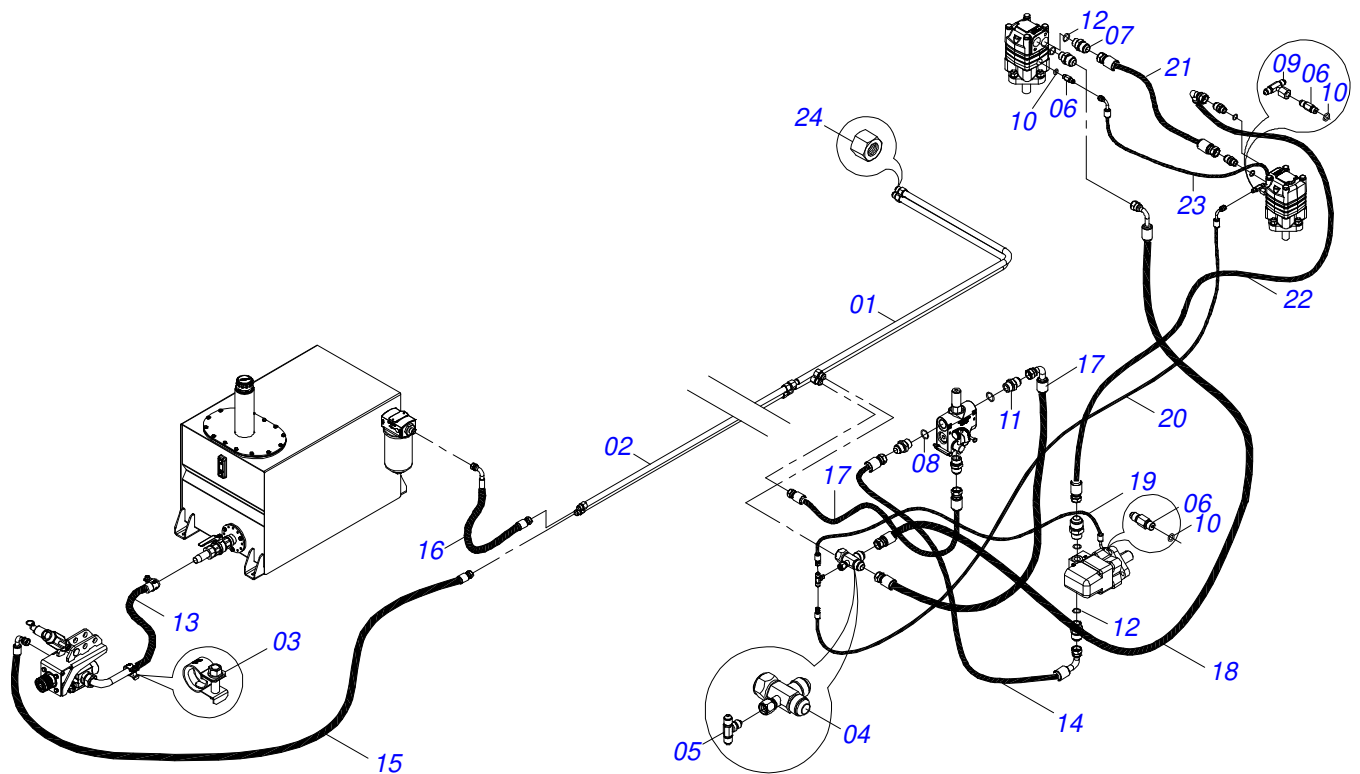
Item	Code	Description	See page	QT
001	0511067726	BEARING SUPPORT		01
002	0503010003	1845 GREASE FITTING		01
003	0541016557	FELT WASHER SUPPORT		01
004	0503013511	1209-E BEARING ASSY		01
005	0503032420	FELT WASHER		02
006	0541016558	FLAT WASHER		01
007	0541016556	FELT GUIDE ROLLER HUB		01
008	0503013200	502085 CLAMPING RING (FOR AXLE)		01



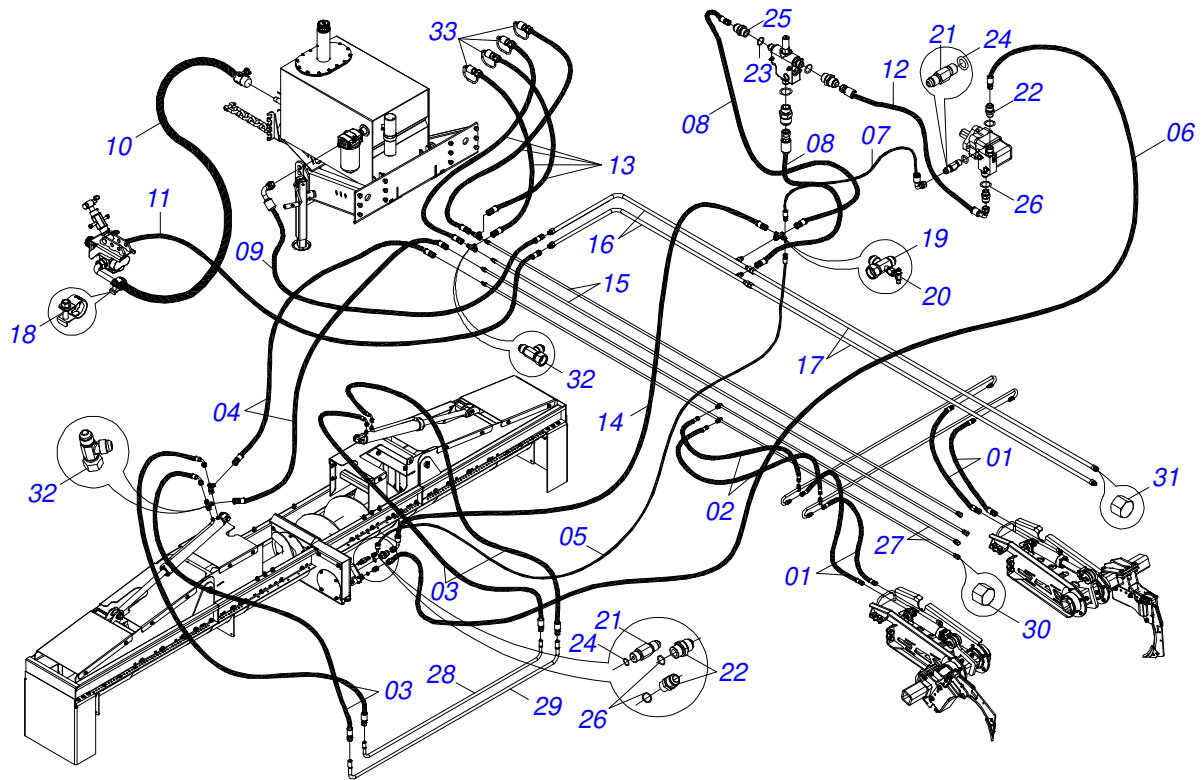
Item	Code	Description	See page	QT
001	0521066817	SCARIFIER SUPPORT		01
002	0521066836	CYLINDER ARTICULACION		01
003	0521066835	FLANGE ASSY		02
004	0503011336	1/2" HEX SELF ADJUSTING NUT		10
005	0503010395	1/2" X 1-1/4" BOLT		10
006	0503010002	1800 GREASE FITTING		02
007	0503010480	5/8" X 4.3/4" BOLT		02
008	0503012412	5/8 UNC SELF LOCKING NUT		02
009	0511058874	HYDRAULIC CYLINDER		01
010	0581011360	SLEEVE		02
011	0521066819	ARTICULATION		01
012	0521010575	C0.9" X 3.3" COUPLING SHAFT		02
013	0503010523	1/4" X 2" COTTERPIN		02
014	0511058879	ROD WITH ARM/DISARMENT		01
015	0511058882	SCARIFIER SUPPORT		01
016	0581012024	SPACING PLATE		04
017	0511015255	FLAT WASHER		12
018	0501011544	3/4" X 1-1/2" BOLT		08



Item	Code	Description	See page	QT
001	0521066817	SCARIFIER SUPPORT		01
002	0521066836	CYLINDER ARTICULACION		01
003	0521066819	ARTICULATION		01
004	0521066835	FLANGE ASSY		02
005	0503011336	1/2" HEX SELF ADJUSTING NUT		10
006	0503010395	1/2" X 1-1/4" BOLT		10
007	0503010002	1800 GREASE FITTING		02
008	0503010480	5/8" X 4.3/4" BOLT		02
009	0503012412	5/8 UNC SELF LOCKING NUT		02
010	0511058874	HYDRAULIC CYLINDER		01
011	0581011360	SLEEVE		02
012	0521010575	C0.9" X 3.3" COUPLING SHAFT		02
013	0503010523	1/4" X 2" COTTERPIN		02
014	0511058879	ROD WITH ARM/DISARMENT		01
015	0511058882	SCARIFIER SUPPORT		01
016	0581012024	SPACING PLATE		04
017	0511015255	FLAT WASHER		12
018	0501011544	3/4" X 1-1/2" BOLT		08

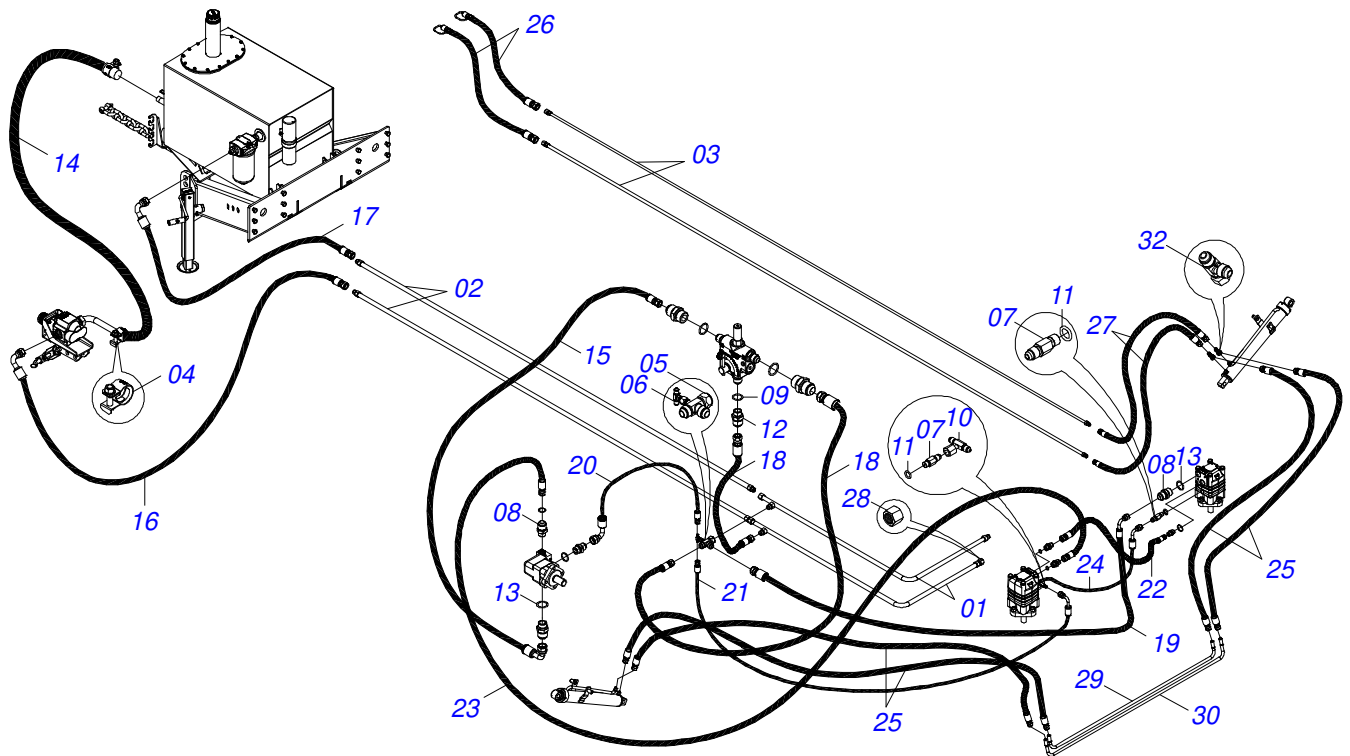


Item	Code	Description	See page	QT
01	0521065439	HYDRAULIC TUBE		02
02	0521065453	HYDRAULIC TUBE		02
03	0503014284	CLAMP		02
04	0503014834	ADAPTER		01
05	0503034010	CONNECTION MALE		01
06	0551016884	NIPPLE		03
07	0551011253	R1.1/16 JICX7/8 SAE S1.1/8X50 NIPPLE		06
08	0503011109	2-119 N 3006-9B O'RING		03
09	0511069890	ADAPTER T NUT		01
10	0503015338	O'RING		03
11	0501010589	R. 1.1/16UN SEXT 1.1/4 X 52 NIPPLE		03
12	0503010045	O'RING		06
13	0501013424	1.1/4 X 1200 AB-AB HOSE		01
14	0501080169	HOSE		01
15	0501081321	3/4 X 2600 TR-TC HOSE CLAMP		01
16	0501081200	3/4 X 700 TR-TC HOSE		01
17	0501080012	HOSE		02
18	0501080064	3/4" X 2000 TR-TC HOSE		01
19	0501081289	1/4 X 400 TR-TC HOSE		01
20	0501081462	1/4 X 1700 TR-TC HOSE		01
21	0501080186	3/4 X 650 TR-TR 1G138636 HOSE		01
22	0501080334	HOSE ASSY 3/4 X 2400 TR-TR		01
23	0501081157	HOSE 1/4 X 600 TR-TC		01
24	0551010235	COVER		02



Item	Code	Description	See page	QT
01	0501081566	HOSE		04
02	0501080027	3/8" X 39,3" TR-TR HOSE ASSY		02
03	0501080249	3/8" X 33" TR-TC HOSE ASSY		04
04	0501080611	3/8" X 17,8" TR-TR HOSE ASSY		02
05	0501081462	1/4 X 1700 TR-TC HOSE		01
06	0501080334	HOSE ASSY 3/4 X 2400 TR-TR		01
07	0501081289	1/4 X 400 TR-TC HOSE		01
08	0501080012	HOSE		02
09	0501081200	3/4 X 700 TR-TC HOSE		01
10	0501013424	1.1/4 X 1200 AB-AB HOSE		01
11	0501081321	3/4 X 2600 TR-TC HOSE CLAMP		01
12	0501080169	HOSE		01
13	0501080510	HOSE 3/8 X 3500 TR-TM		04
14	0501080064	3/4" X 2000 TR-TC HOSE		01
15	0521063907	HYDRAULIC TUBE		02
16	0521065439	HYDRAULIC TUBE		02
17	0521065453	HYDRAULIC TUBE		02
18	0503014284	CLAMP		02
19	0503014834	ADAPTER		01
20	0503034010	CONNECTION MALE		01
21	0551016884	NIPLE		02
22	0551011253	R1.1/16 JICX7/8 SAE S1.1/8X50 NIPPLE		04
23	0503011109	2-119 N 3006-9B O'RING		03
24	0503015338	O'RING		02
25	0501010589	R. 1.1/16UN SEXT 1.1/4 X 52 NIPPLE		03
26	0503010045	O'RING		04
27	0521066821	HYDRAULIC TUBE		02
28	0521065438	HYDRAULIC TUBE		01
29	0521065437	HYDRAULIC TUBE		01
30	0571017477	COVER		04
31	0551010235	COVER		02

Item	Code	Description	See page	QT
32	0503011968	3/4" 8R6X-S T ADAPTER WITH SWIVEL NUT		04
33	0501053834	MALE QUICK COUPLER		04



Item	Code	Description	See page	QT
01	0521065439	HYDRAULIC TUBE	02	
02	0521065453	HYDRAULIC TUBE	02	
03	0521063907	HYDRAULIC TUBE	02	
04	0503014284	CLAMP	02	
05	0503014834	ADAPTER	01	
06	0503034010	CONNECTION MALE	01	
07	0551016884	NIPPLE	03	
08	0551011253	R1.1/16 JICX7/8 SAE S1.1/8X50 NIPPLE	06	
09	0503011109	2-119 N 3006-9B O'RING	03	
10	0511069890	ADAPTER T NUT	01	
11	0503015338	O'RING	03	
12	0501010589	R. 1.1/16UN SEXT 1.1/4 X 52 NIPPLE	03	
13	0503010045	O'RING	06	
14	0501013424	1.1/4 X 1200 AB-AB HOSE	01	
15	0501080169	HOSE	01	
16	0501081321	3/4 X 2600 TR-TC HOSE CLAMP	01	
17	0501081200	3/4 X 700 TR-TC HOSE	01	
18	0501080012	HOSE	02	
19	0501080064	3/4" X 2000 TR-TC HOSE	01	
20	0501081289	1/4 X 400 TR-TC HOSE	01	
21	0501081462	1/4 X 1700 TR-TC HOSE	01	
22	0501080186	3/4 X 650 TR-TR 1G138636 HOSE	01	
23	0501080334	HOSE ASSY 3/4 X 2400 TR-TR	01	
24	0501081157	HOSE 1/4 X 600 TR-TC	01	
25	0501080127	HOSE	02	
26	0501080510	HOSE 3/8 X 3500 TR-TM	02	
27	0501080709	3/8" X 21.6" TR-TR HOSE	02	
29	0551010235	COVER	02	
30	0521065438	HYDRAULIC TUBE	01	
31	0521065437	HYDRAULIC TUBE	01	
32	0503011968	3/4" 8R6X-S T ADAPTER WITH SWIVEL NUT	02	



civemasa

Technical Publications | Elaboration and Revision

MARINA PEREZ NIZA

www.civemasa.com.br

