

**DISK HARROWS**

## **GVMF 20/22/24/28D**

**Code:** 0501091781  
**Series:** S-1297  
**Revision:** 00  
**Revision Date:** FEVEREIRO/2023

# **PARTS CATALOGUE**

***CIVEMASA***




# PRODUCTS

<b>Code</b>	<b>Description</b>
0120040001	GVMF 20 32X9,0 DR 6440537 S-1297
0120040014	GVMF 20 34X9,0 DR 6440656 S-1297
0120040013	GVMF 22 32X9,0 DR 6440674 S-1297
0120040010	GVMF 22 34X9,0 DR 6440719 S-1297
0120040007	GVMF 24CX32X9,0 DR 6440619 S-1297
0120040015	GVMF 24CX34X9,0 DR 6440737 S-1297
0120040030	GVMF 28B X 34 X 9,0 DR S-1297
0120040009	GVMF 28BX32X9,0 DR 6440690 S-1297

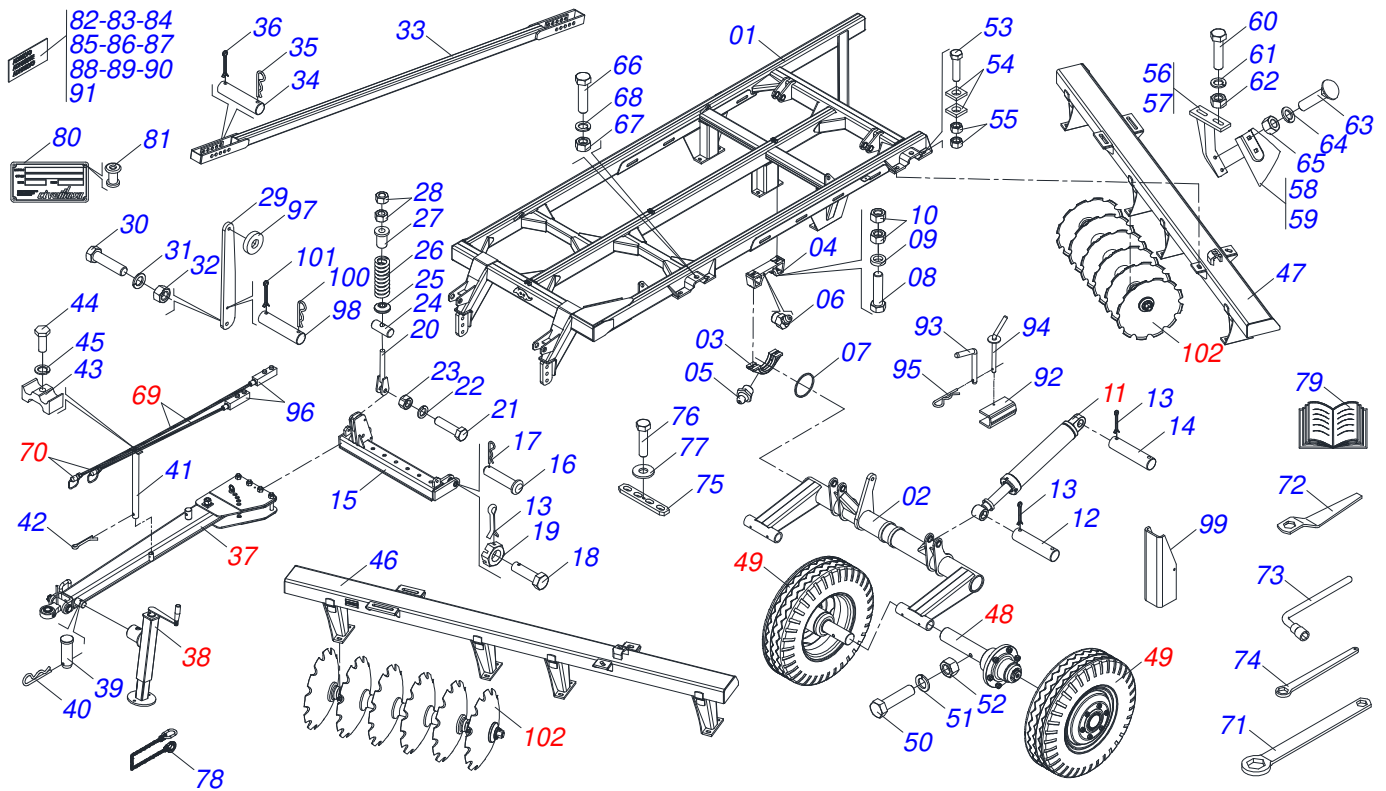
## **ATTENTION: IMPORTANT**

CIVEMASA reserves the right to improve and/or modify the technical features of its products, without obligation to do the same with those products already sold and without prior knowledge of the dealer or the customer. The photos are only illustrative.



# INDEX

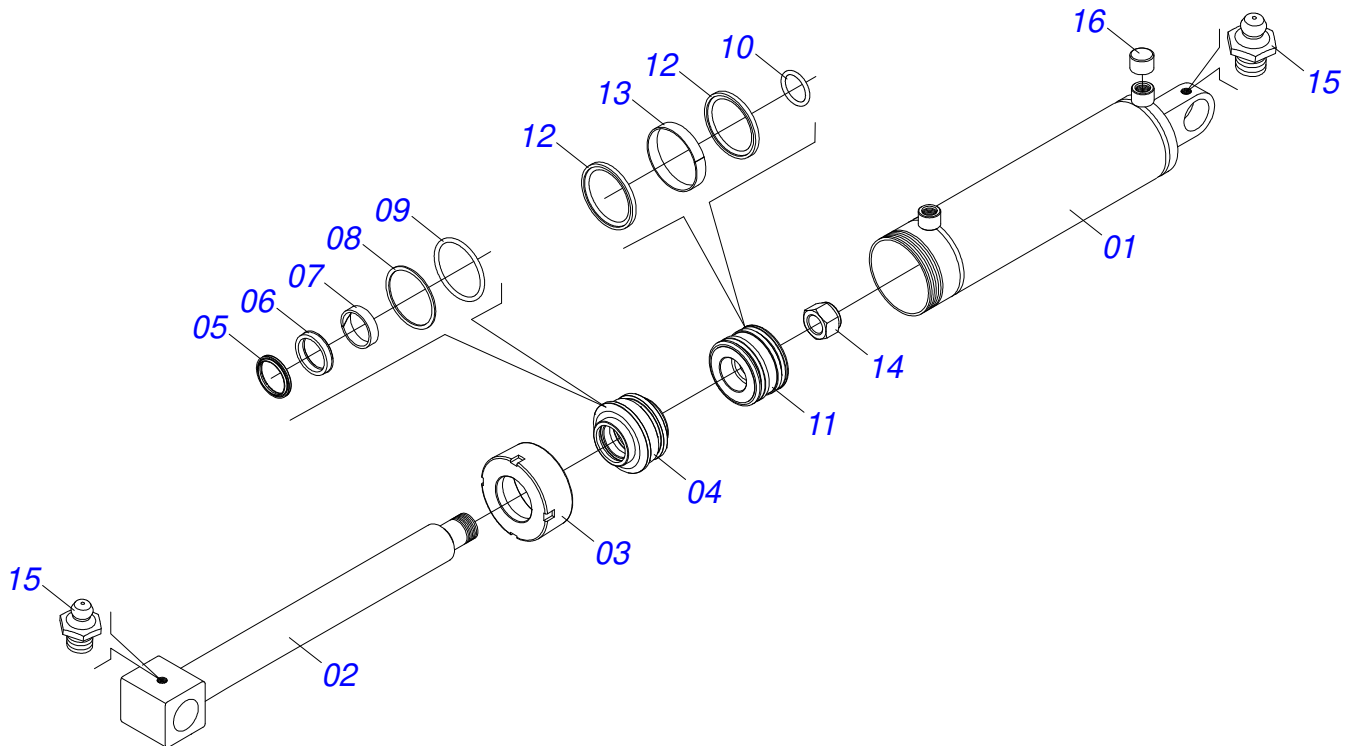
0909092131	COMPLETE FRAME	.....	1
0501048626	HYDRAULIC CYLINDER 53,98X101,6X730X400 - (UNTIL 08/2021)	.....	2
0531041451	HYDR. CYLINDER 53,98X101,6X728X400 - (FROM 09/2021)	.....	3
0511050262	DRAWBAR ASSEMBLY	.....	4
0511048088	DRAWBAR JACK	.....	5
0501052156	WHEELS HUB ASSY SET	.....	6
0503060263	7.50 WHEEL WITH TIRE	.....	7
0501053212	HOSE SET	.....	8
0501053213	HOSE KIT	.....	9
0909092157	COMPLETE DISC SECTION	.....	10
0501048557	BEARING OIL	.....	11



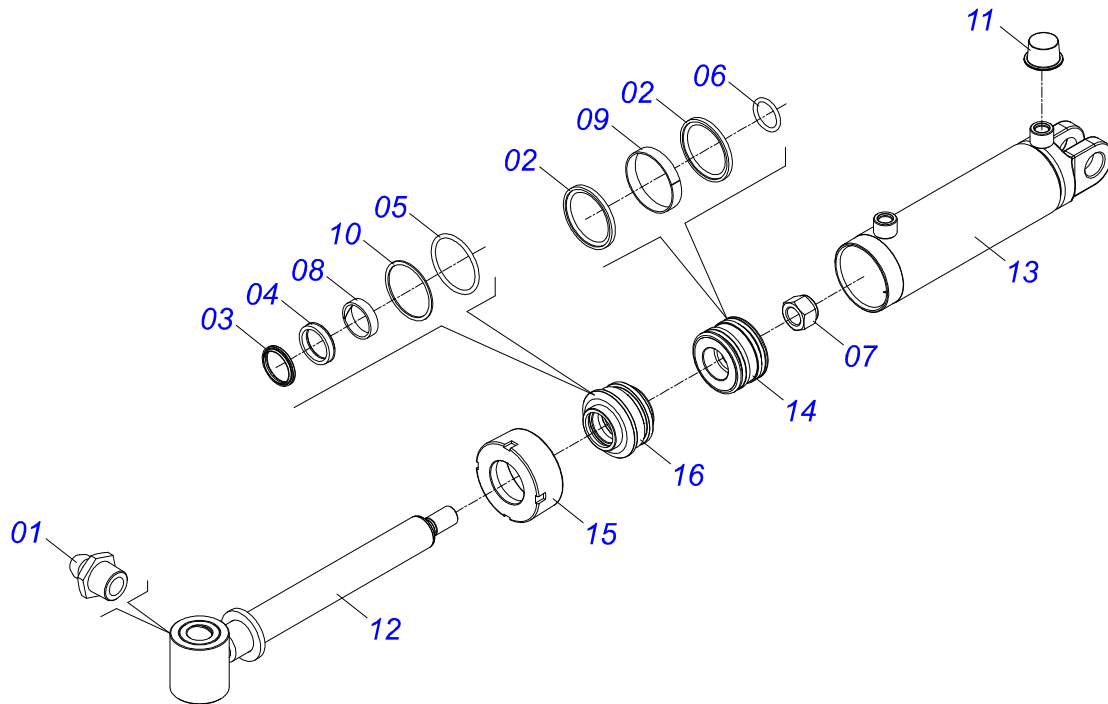
Item	Code	Description	See page	20	22	24	28
001	0511060528	FRAME	01	01	01	00	
001.	0511060230	FRAME	00	00	00	01	
002	0511060526	AXLE WHEEL	01	01	01	00	
002.	0511060236	WHEEL AXLE	00	00	00	01	
003	0502011724	INF BEARING SEMI	03	03	03	03	
004	0502011725	UPPER BEARING SEMI	03	03	03	03	
005	0503010002	1800 GREASE FITTING	06	06	06	06	
006	0503010003	1845 GREASE FITTING	06	06	06	06	
007	0503012222	FELT RING	06	06	06	06	
008	0511016281	3/4" X 8" BOLT	06	06	06	06	
009	0521013710	WASHER SEMIMAN	09	06	06	06	
010	0503012183	SNC 3/4" ZIN 1K03097 NUT	12	12	12	12	
011	0501048626	HYDRAULIC CYLINDER 53,98X101,6X730X400 - 2 (UNTIL 08/2021)	02	02	02	00	
011.	0531041451	HYDR. CYLINDER 53,98X101,6X728X400 - (FROM 09/2021)	00	00	00	02	
012	0521013707	HEADLESS PIN	02	02	02	02	
013	0503010010	1/4" X 2.1/2" COTTERPIN	08	08	08	08	
014	0521013706	HEADLESS PIN	02	02	02	02	
015	0511060203	DRAWBAR ASSY	01	01	01	00	
015.	0511060231	DRAWBAR ASSY	00	00	00	01	
016	0521013738	PIN WITH HEAD	02	02	02	00	
017	0503031479	STAPLE	02	02	02	00	
018	0521013843	BARRA DRAW BOLT	00	00	00	02	
019	0503013026	1.1/4" CASTLE NUT	00	00	00	02	
020	0511060124	ASSEMBLY TIME	02	02	02	02	
021	0501010125	3/4" X 2-1/2" BOLT	02	02	02	02	
022	0503010023	3/4" SPRING WASHER	02	02	02	02	
023	0503012183	SNC 3/4" ZIN 1K03097 NUT	02	02	02	02	
024	0521013759	PIN SPINDLE GUIDE	02	02	02	02	
025	0521013760	SPRING SUPPORT	02	02	02	02	
026	0503031460	SPRING	02	02	02	02	

Item	Code	Description	See page	20	22	24	28
027	0502011582	SPINDLE GUIDE		02	02	02	02
028	0503012182	1" NUT		04	04	04	04
029	0521014367	TOWER GVPF		01	01	01	00
029.	0521013814	1 U BOLT OF THE SUSPENSION TOWER		00	00	00	01
030	0503012226	1-1/4" X 4" BOLT		01	01	01	01
031	0503010070	SPRING WASHER		01	01	01	01
032	0503012181	1.1/4" NUT		01	01	01	01
033	0511060527	STABILIZER BAR		01	01	01	00
033.	0511060232	STABILIZER BAR		00	00	00	01
034	0521013776	PIN SEM HEAD		02	02	02	02
035	0503031470	TM 251 X 4,0 STAPLE		02	02	02	02
036	0503010038	3/16 X 2 COTTERPIN		02	02	02	02
037	0511050262	DRAWBAR ASSEMBLY	4	01	01	01	01
038	0511048088	DRAWBAR JACK	5	01	01	01	01
039	0561014251	COUPLING SHAFT		01	01	01	01
040	0503030012	HITCH PIN CLIP		01	01	01	01
041	0511060205	SUPPORT HOSE CNS 20104N		01	01	01	01
042	0503012215	5/16" X 2-1/2" COTTERPIN		01	01	01	01
043	0502012702	BODY SUPPORT CLAMP		04	04	04	04
044	0503012555	SCREW 7/16 UNC X 2 CS RT G.7 ZN		04	04	04	04
045	0503010180	7/16" SPRING WASHER		04	04	04	04
046	0511060635	FRONT FRAME		01	00	00	00
046.	0511062310	FRONT FRAME		00	01	00	00
046..	0511061603	FRONT FRAME		00	00	01	00
046...	0511062256	FRONT FRAME		00	00	00	01
047	0511060634	REAR FRAME		01	00	00	00
047.	0511062311	REAR FRAME		00	01	00	00
047..	0511061433	REAR FRAME		00	00	01	00
047...	0511062257	REAR FRAME		00	00	00	01
048	0501052156	WHEELS HUB ASSY SET	6	04	04	04	04
049	0503060263	7.50 WHEEL WITH TIRE	7	04	04	04	04
050	0503011084	3/4" X 5" BOLT		08	08	08	00
050.	0511016281	3/4" X 8" BOLT		00	00	00	08
051	0503010023	3/4" SPRING WASHER		08	08	08	08
052	0503012183	SNC 3/4" ZIN 1K03097 NUT		08	08	08	08
053	0503012257	1" X 4-1/4" BOLT		08	08	08	10
054	0521013709	REINFORCING WASHER		16	16	16	20
055	0503012182	1" NUT		16	16	16	20
056	0511060138	FRONT CLEANER SUPPORT		10	11	12	14
057	0511060139	REAR CLEANER SUPPORT		10	11	12	14
058	0521013678	FRONT CLEANER		10	11	12	14
059	0521013679	REAR CLEANER		10	11	12	14
060	0503012180	FRENCH 3/4" X 2 BOLT		40	44	48	56
061	0503010023	3/4" SPRING WASHER		40	44	48	56
062	0503012183	SNC 3/4" ZIN 1K03097 NUT		40	44	48	56
063	0503012195	5/8" NUT		40	44	48	56
064	0503010027	5/8 SPRING WASHER		40	44	48	56
065	0503010013	5/8 NUT		40	44	48	56
066	0503019212	BOLT		02	02	02	02
067	0502011692	3442029 NUT		02	02	02	02
068	0521014368	FLAT WASHER		02	02	02	02
069	0501053212	HOSE SET	8	01	01	01	00
069.	0501053213	HOSE KIT	9	00	00	00	01
070	0501053834	MALE QUICK COUPLER		02	02	02	02
071	0511064004	WRENCH		01	01	01	01
072	0501011431	1-3/4" GANG BOLT WRENCH		02	02	02	02
073	0503018438	1" WRENCH CYLINDRICAL HEX		01	01	01	01
074	0531013656	WRENGH		01	01	01	01
075	0521013774	GVMF LOCK		01	01	01	01

Item	Code	Description	See page	20	22	24	28
076	0501010108	5/8" X 1" BOLT		01	01	01	01
077	0501012140	FLAT WASHER		01	01	01	01
078	0503013150	1300 X 3/8 CHAIN		01	01	01	01
079	0511031526	BAG WITH MANUAL		01	01	01	01
080	0503034004	ALUMINUM IDENTIFICATION LABEL		01	01	01	01
081	0503010001	3.2 X 5.5 RIVET		04	04	04	04
082	0503031738	ADHESIVE LABEL		01	01	01	01
083	0503033434	ADHESIVE		02	02	02	02
084	0503031428	READ MANUAL DECAL		01	01	01	01
085	0503033038	DANGER SIGN		02	02	02	02
086	0503033434	ADHESIVE		02	02	02	02
087	0503031428	READ MANUAL DECAL		01	01	01	01
088	0503033038	DANGER SIGN		02	02	02	02
089	0503033647	APPROVED BADGE		01	01	01	01
090	0503031739	ADHESIVE LABEL		01	01	01	01
091	0503034355	EMBLEM		02	02	02	02
092	0591018207	LOCK FOR TRANSPORT		02	02	02	02
093	0541016844	FIXER LOCK		02	02	02	00
094	0511060137	ASSEMBLY LOCK PIN		00	00	00	02
095	0503031470	TM 251 X 4,0 STAPLE		02	02	02	02
096	0501074276	TERMINAL CONNECTION		02	02	02	02
097	0521013818	STRENGTHENING GL 41005 3281218		04	04	04	04
098	0521013812	PIN FREE HEAD		01	01	01	01
099	0521013780	LOCK PISTON		00	00	02	02
100	0503031464	TM 211 X 3,0 STAPLE		03	03	03	03
101	0503010362	1/8 X 1.1/4 COTTERPIN		03	03	03	03
102	0909092157	COMPLETE DISC SECTION	10	20	22	24	28

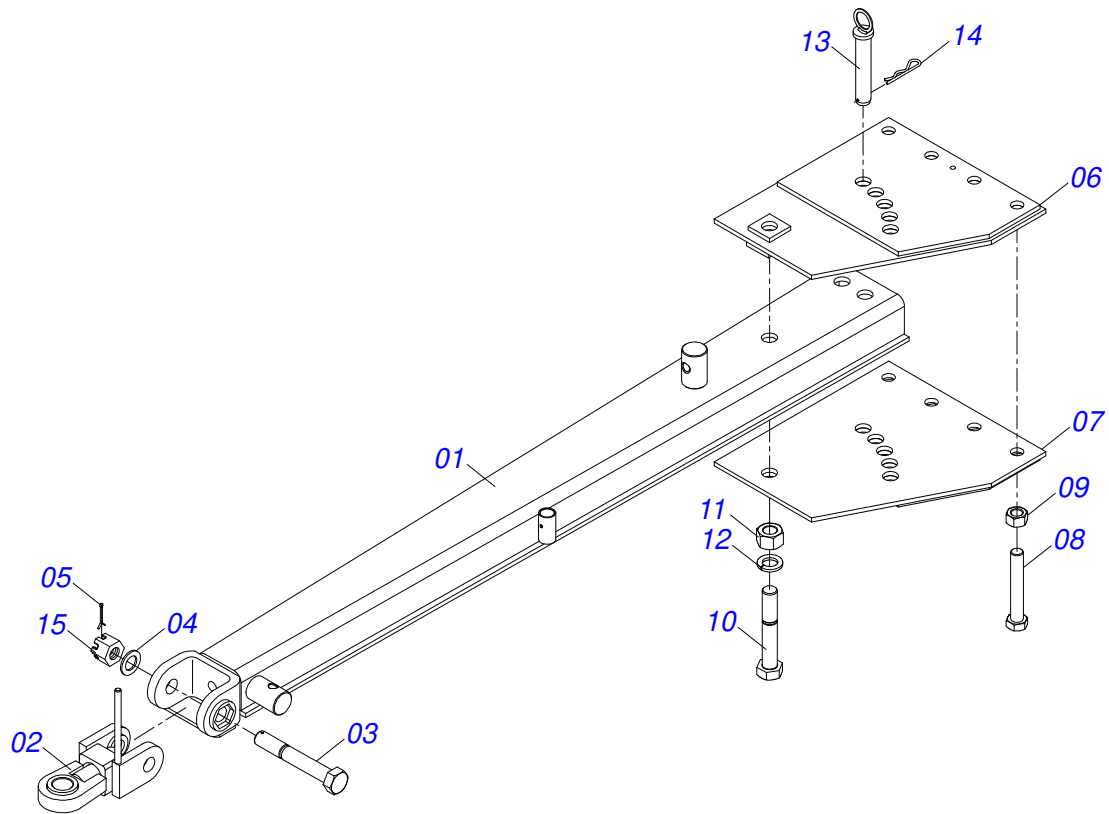


Item	Code	Description	See page	QT
01	0511062253	CYLINDER CASE		01
02	0511062249	53,98 X 609 TURNBUCKLE		01
03	0502010017	4" HEAD		01
04	0502011250	RING OF SUPPORT		01
05	0503010319	D-2125 SCRAPER		01
06	0503010314	GASKET		01
07	0503010973	W2-2500-500 PK O'RING G.E		01
08	0503011061	8-342 BACK-UP RING		01
09	0503010338	2-342 N 3006-9B O'RING		01
10	0503010345	2-218 N 3006-9B O'RING		01
11	0502011969	53,98 X 101,60 PISTON		01
12	0503010043	PACKING 3750-3250		02
13	0503010994	W2-4000-500 PK RING G.E		01
14	0503010817	1.1/4" SELF LOCKING NUT		01
15	0503010002	1800 GREASE FITTING		02
16	0503030384	CON PLUG N-001		02

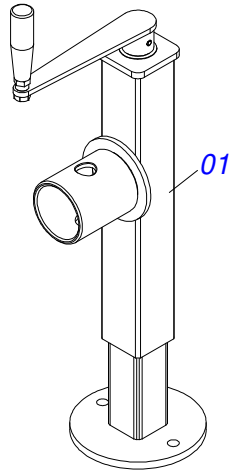


Item	Code	Description	See page	QT
01	0503010002	1800 GREASE FITTING		02
02	0503010043	PACKING 3750-3250		02
03	0503010314	GASKET		01
04	0503010319	D-2125 SCRAPER		01
05	0503010338	2-342 N 3006-9B O'RING		01
06	0503010345	2-218 N 3006-9B O'RING		01
07	0503010817	1.1/4" SELF LOCKING NUT		01
08	0503010973	W2-2500-500 PK O'RING G.E		01
09	0503010994	W2-4000-500 PK RING G.E		01
10	0503011061	8-342 BACK-UP RING		01
11	0503030384	CON PLUG N-001		02
12	0531062835	EXTENDER 53.98 X 609		01
13	0511062253	CYLINDER CASE		01
14	0502011969	53,98 X 101,60 PISTON		01
15	0502010017	4" HEAD		01
16	0502011250	RING OF SUPPORT		01

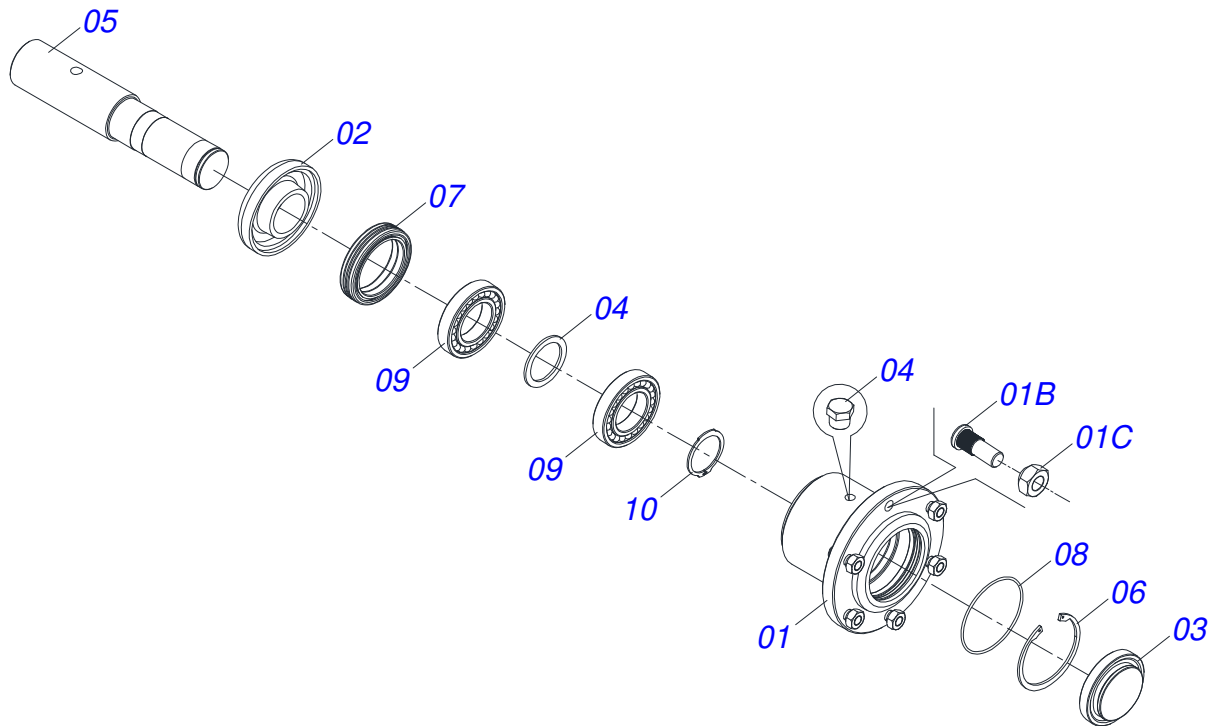




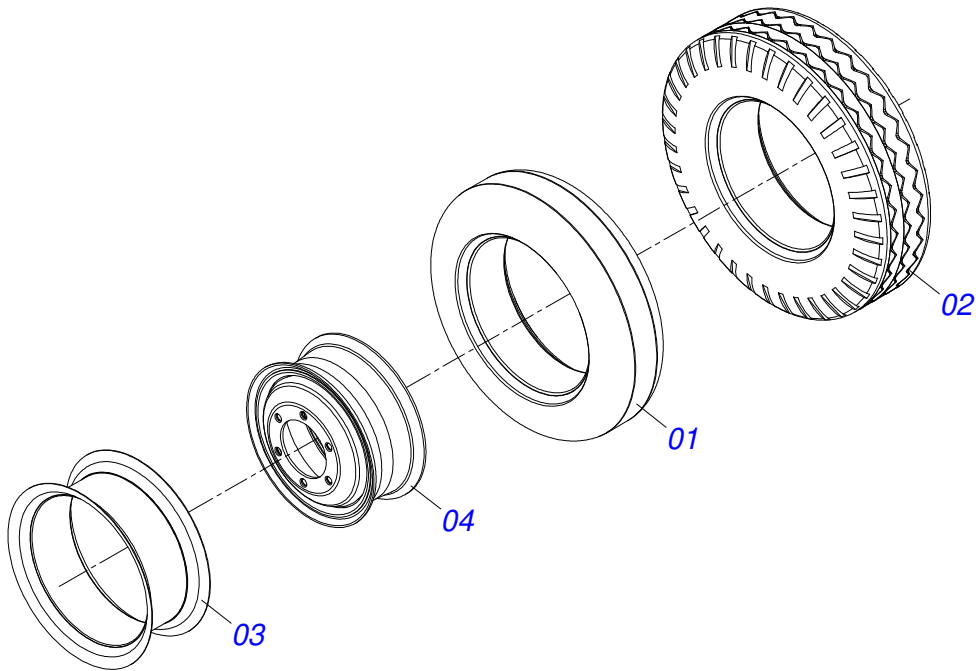
Item	Code	Description	See page	QT
01	0511060300	DRAWBAR		01
02	0521068888	TRACTOR HITCH BODY		01
03	0521013739	BOLT HARNESS		01
04	0501812916	FLAT WASHER		01
05	0503010067	3/16" X 2.1/2" COTTER PIN		01
06	0511060301	PLATE HITCH		01
07	0511060302	PLATE HITCH		01
08	0503012192	1-1/4" X 8 BOLT		04
09	0503012181	1.1/4" NUT		04
10	0503012258	1-1/2" X 9" BOLT		01
11	0501810110	1.1/2 NC 6FPP NUT		01
12	0503013627	1.1/2 SPRING WASHER		01
13	0511060146	PIN FIXER		01
14	0503031479	STAPLE		01
15	0502011592	CASTLE NUT		01



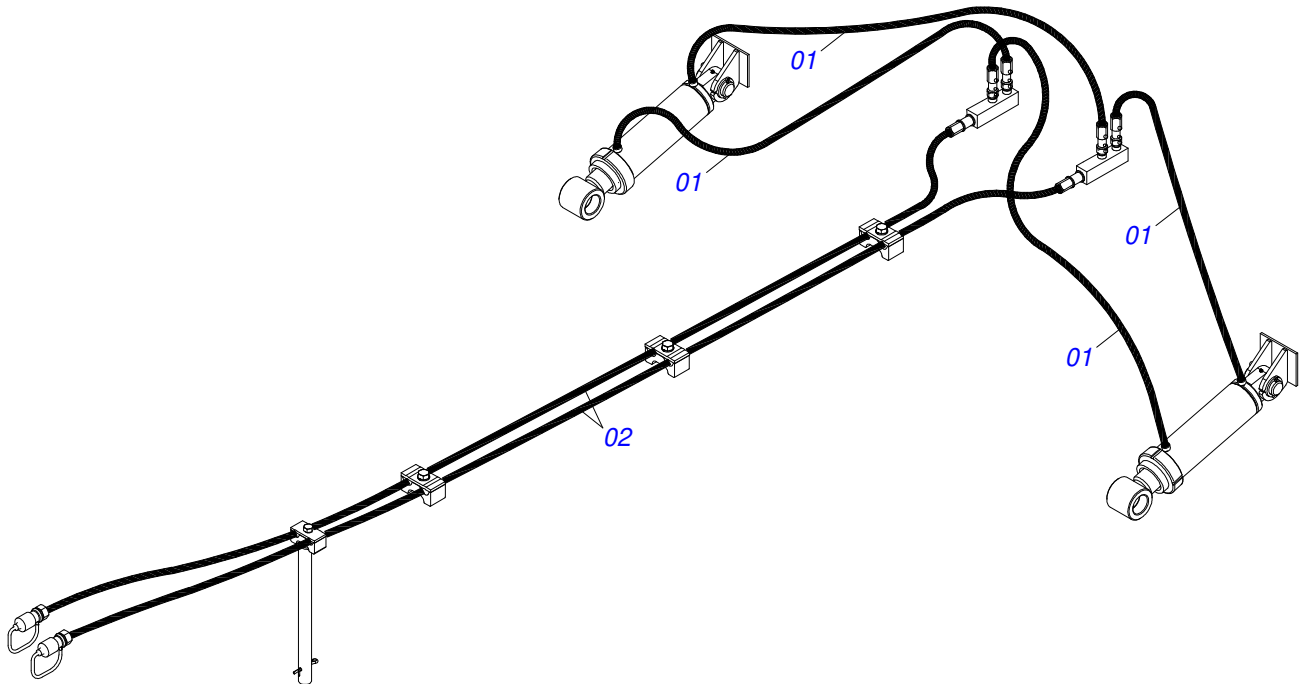
Item	Code	Description	See page	QT
01	0503062227	DRAWBAR JACK		01



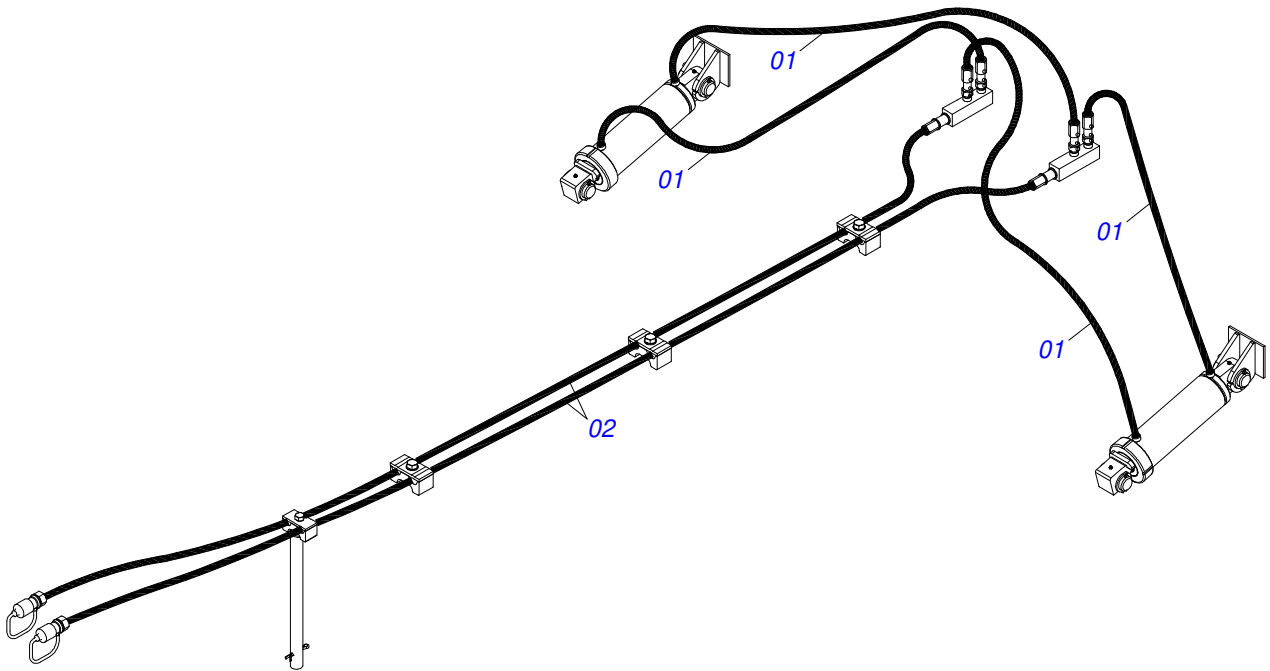
Item	Code	Description	See page	QT
01	0501110767	HUB CARRYING WHEELS WITH BOLT		01
01A	0502011595	WHEEL HUB		01
01B	0503012307	5/8" X 2" BOLT		06
01C	0503010064	5/8 UNF CONIC NUT		06
02	0502020649	SUPPORT SEAL		01
03	0502020648	COVER		01
04	0521013887	FLANGE WASHER		01
05	0521013889	CR 70/5A AXLE		01
06	0503012312	RENO RING 502120		01
07	0503012313	SEAL		01
08	0503012314	2-248 1G05195 O'RING		01
09	0503012294	BEARING LM		02
10	0503012311	501065 RENO RING		01
11	0503010856	OIL PLUG		01



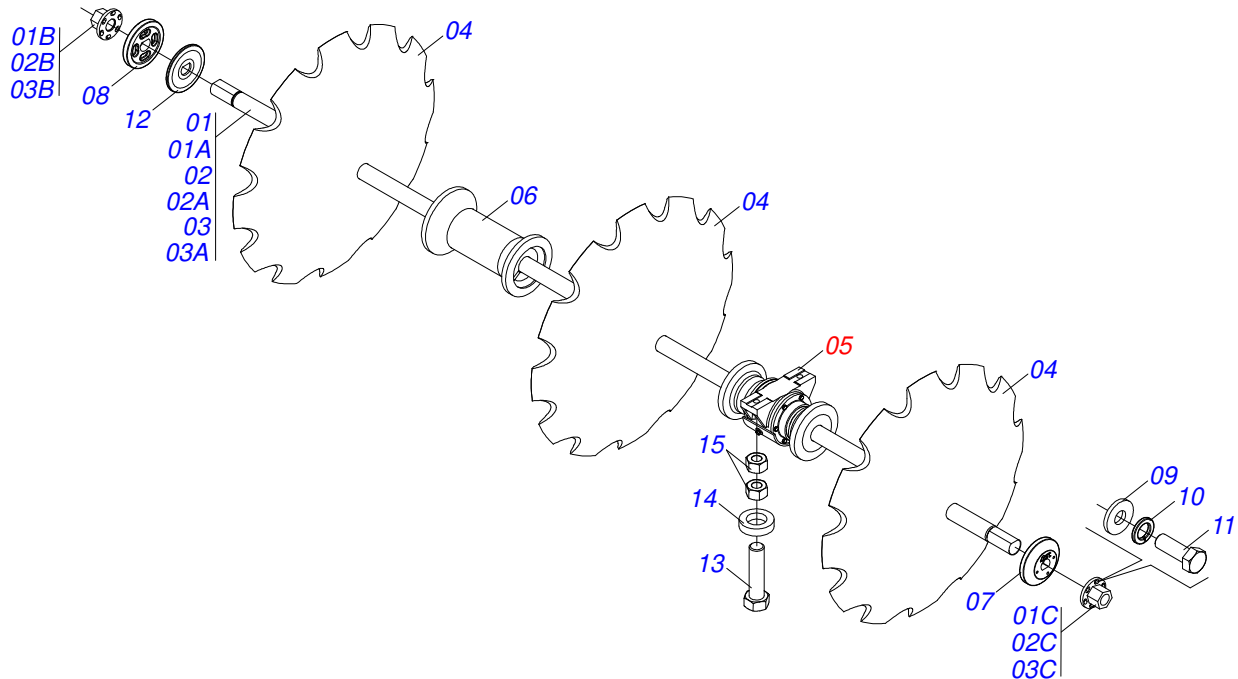
Item	Code	Description	See page	QT
01	0503012299	7.50 X 16 INNER TIRE		04
02	0503012300	TIRE 10L		04
03	0503010471	0.3" X 0.6" PROTECTION		04
04	0503012302	WHEEL AND TIRE RING		01



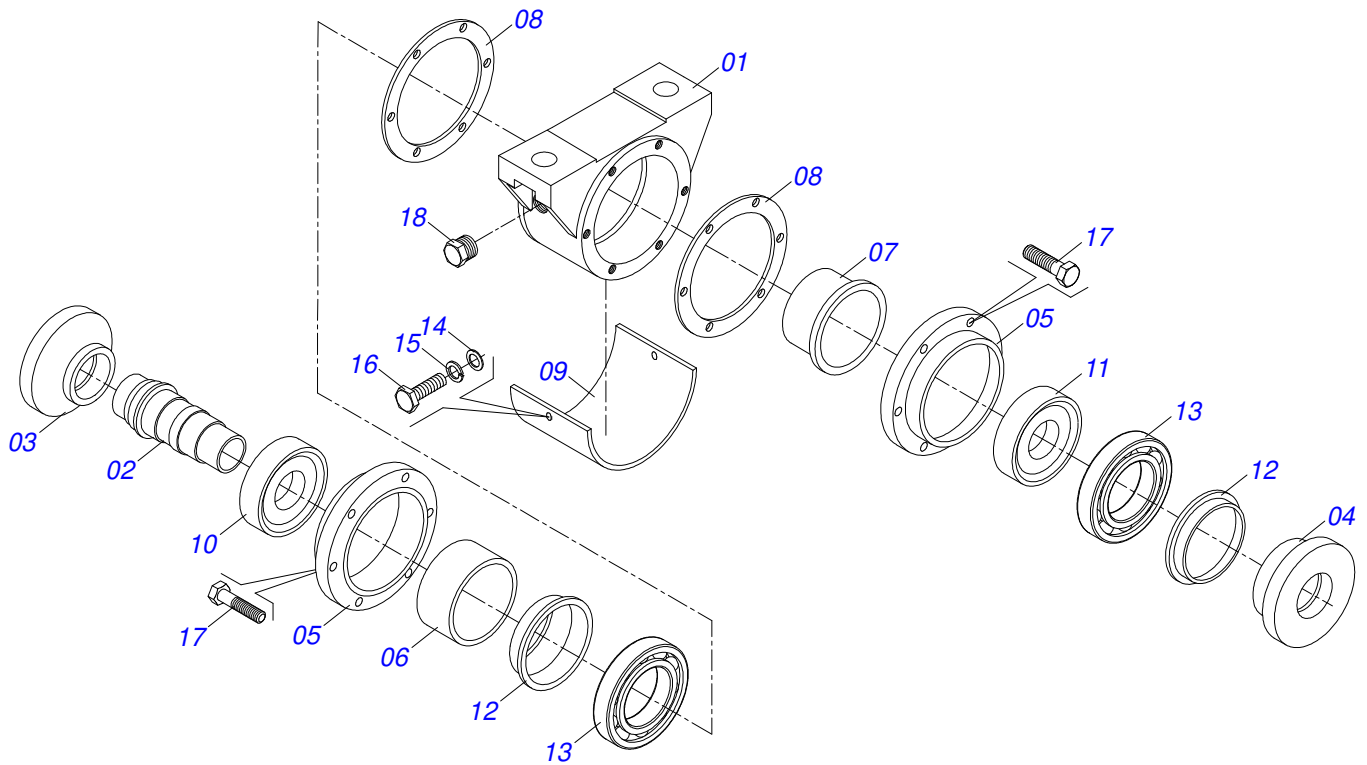
Item	Code	Description	See page	QT
01	0501080801	3/8 X 1100 TR-TM HOSE		04
02	0501080815	TM-TM HOSE ASSY		02



Item	Code	Description	See page	QT
01	0501080852	3/8" X 1500 TR-TM HOSE		04
02	0501080815	TM-TM HOSE ASSY		02



Item	Code	Description	See page	20	22	24	28
01	0511050172	DISC AXLE 2" UNC X 1682 WITH NUT		04	02	00	00
01A	0521014510	DISC AXLE		04	02	00	00
01B	0502011580	RIGHT NUT		04	04	00	00
01C	0502011581	LEFT NUT		04	04	00	00
02	0511050245	DISC AXLE 2" UNC X 2044 WITH NUT		00	02	04	00
02A	0521014358	DISC AXLE		00	02	04	00
02B	0502011580	RIGHT NUT		00	02	04	00
02C	0502011581	LEFT NUT		00	02	04	00
03	0511050179	DISC AXLE 2" UNC X 2405 WITH NUT		00	00	00	04
03A	0521013683	DISC AXLE		00	00	00	04
03B	0502011580	RIGHT NUT		00	00	00	04
03C	0502011581	LEFT NUT		00	00	00	04
04	0602044165	32" X 0.3" NOTCHED DISC BLADE		20	22	24	00
04.	0602046009	34 X 9 MM NOTCHED DISC		20	22	24	28
05	0501048557	BEARING OIL	11	08	08	08	12
06	0502011579	SPACER		08	10	12	12
07	0502011577	OUTER FLANGE		04	04	04	04
08	0502011578	INNER FLANGE		04	04	04	04
09	0501010937	13,50 X 28 X 3,00 FLAT WASHER		16	16	16	16
10	0503010019	1/2" SPRING WASHER		16	16	16	16
11	0503010834	1/2 X 1 BOLT		16	16	16	16
12	0521013670	CHUCK		08	08	08	12
13	0503010901	3/4UNC 3.1/2 BOLT		16	16	16	24
14	0521013710	WASHER SEMIMAN		16	16	16	24
15	0503012183	SNC 3/4" ZIN 1K03097 NUT		32	32	32	48



Item	Code	Description	See page	QT
01	0502011641	BEARIN BODY		01
02	0502011633	CENTER DEARIN		01
03	0502011630	WASHER CONCAVE		01
04	0502011631	WASHER CONVEX		01
05	0502011632	BEARING COVER		02
06	0502011827	SPACER		01
07	0502011629	SPACER		01
08	0503031502	JOINT BEARIN		02
09	0521013855	PLATE PROTECTION		01
10	0502011627	HOUSING RETAINE		01
11	0502011628	HOUSING RETAINE		01
12	0503012824	RETAINER		02
13	0503012285	32212 ROLLER BEARING		02
14	0501010984	10,50 X 27 X 3,00 FLAT WASHER		02
15	0503010025	3/8 SPRING WASHER		02
16	0503011334	BOLT 3/8 UNC X 3/4 CS G.5 ZN		02
17	0503010237	3/8" X 1" BOLT		12
18	0503010856	OIL PLUG		01







***civemasa***

**Technical Publications | Elaboration and Revision**  
JOÃO VIRGINIO ROCHA

[www.civemasa.com.br](http://www.civemasa.com.br)

