

# ***PARTS CATALOGUE***

## **SUBSOILER PLOUGH**

**STAC L 450 HO/HE 15 TO 17 RODS**

**Code: 0501091767**



**Series: S-1015**

**Rev.: 00**

**Date Rev.: SETEMBRO/2016**

**ORIGINAL PARTS  
CIVEMASA**

***civemasa***

# PRODUCTS

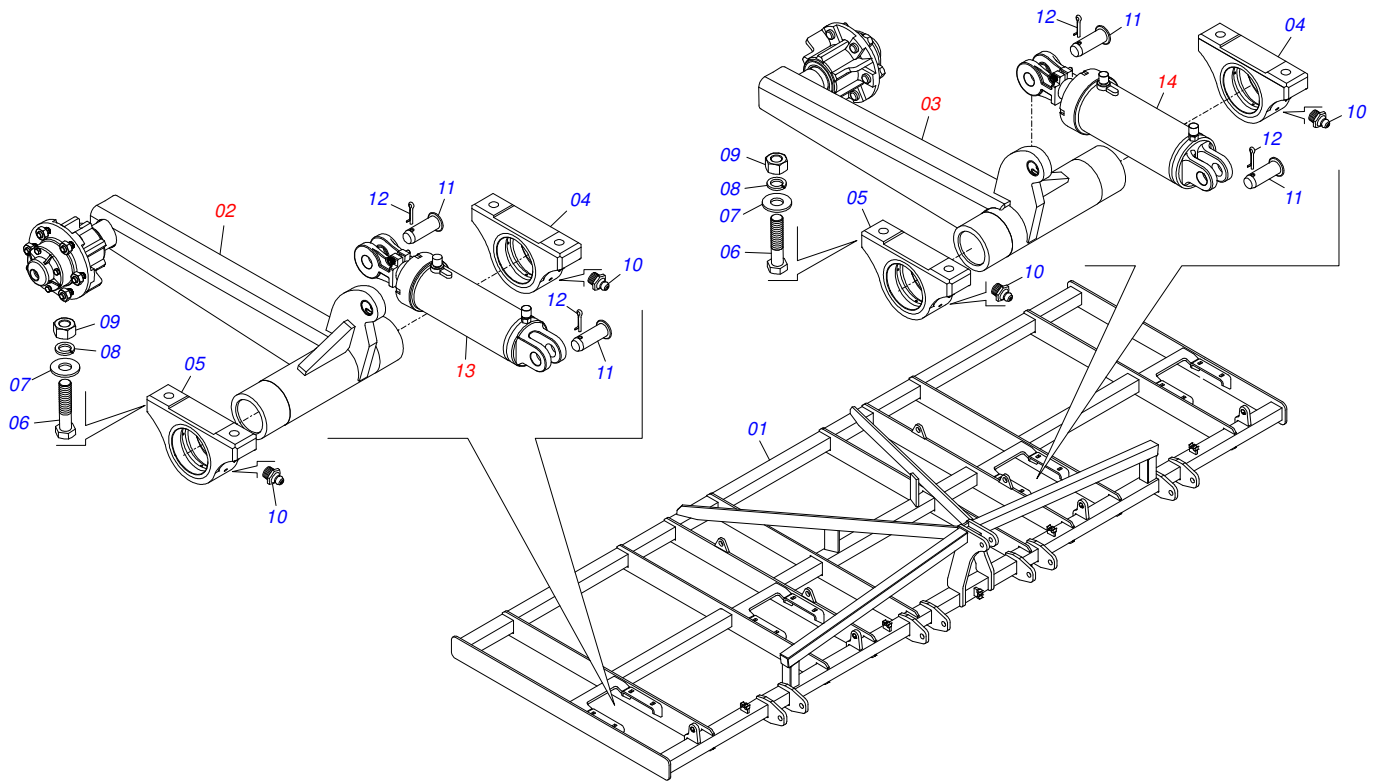
Code	Description
0120370260	STAC L 450 HE 15H DC RD S-1015
0120370261	STAC L 450 HE 15H DC S-1015
0120370262	STAC L 450 HE 15H RD S-1015
0120370268	STAC L 450 HE 17H DC RD S-1015
0120370267	STAC L 450 HE 17H DC S-1015
0120370266	STAC L 450 HE 17H RD S-1015
0120370257	STAC L 450 HP 15H DC RD S-1015
0120370258	STAC L 450 HP 15H DC S-1015
0120370259	STAC L 450 HP 15H RD S-1015
0120370263	STAC L 450 HP 17H DC RD S-1015
0120370264	STAC L 450 HP 17H DC S-1015
0120370265	STAC L 450 HP 17H RD S-1015

## ATTENTION: **IMPORTANT**

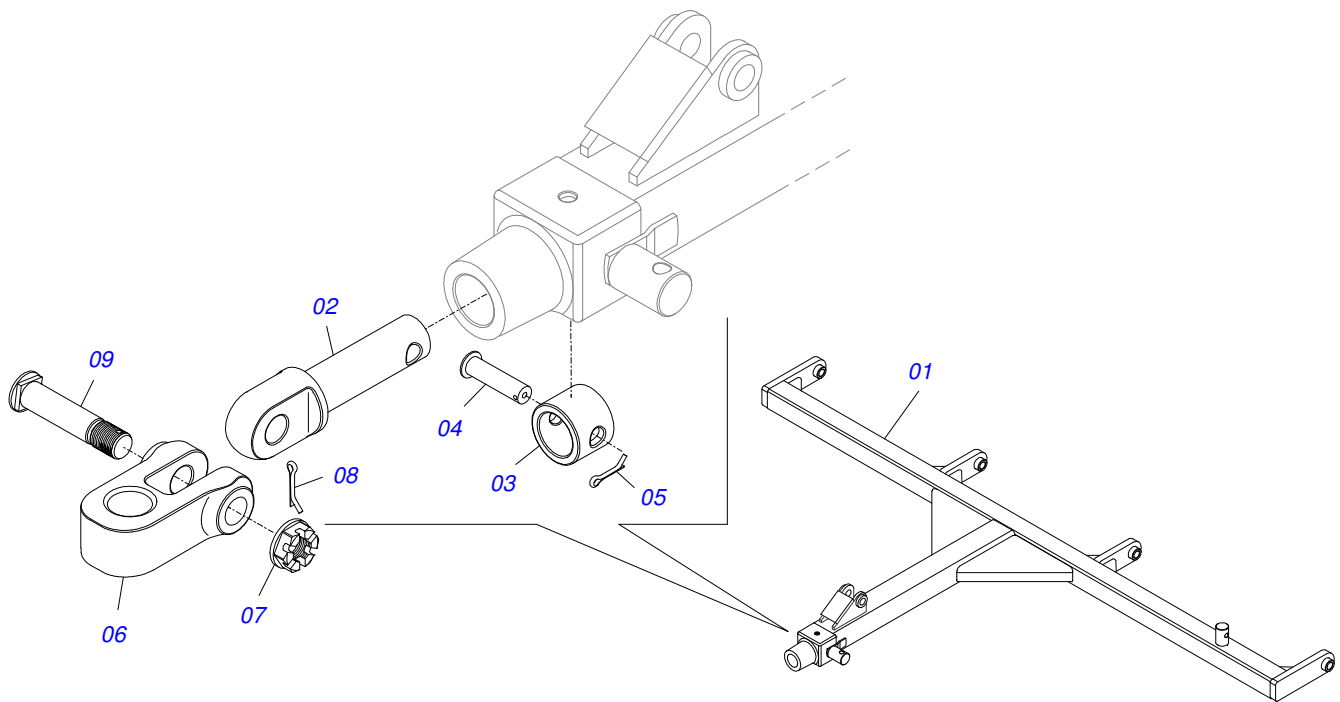
*CIVEMASA RESERVES THE RIGHT AT ANY TIME TO MAKE IMPROVEMENTS IN THE DESIGN, MATERIAL OR SPECIFICATIONS OF MACHINERY, EQUIPMENT OR PARTS WITHOUT THEREBY BECOMING LIABLE TO MAKE SIMILAR CHANGES IN MACHINERY, EQUIPMENT OR PARTS PREVIOUSLY SOLD.*

# INDEX

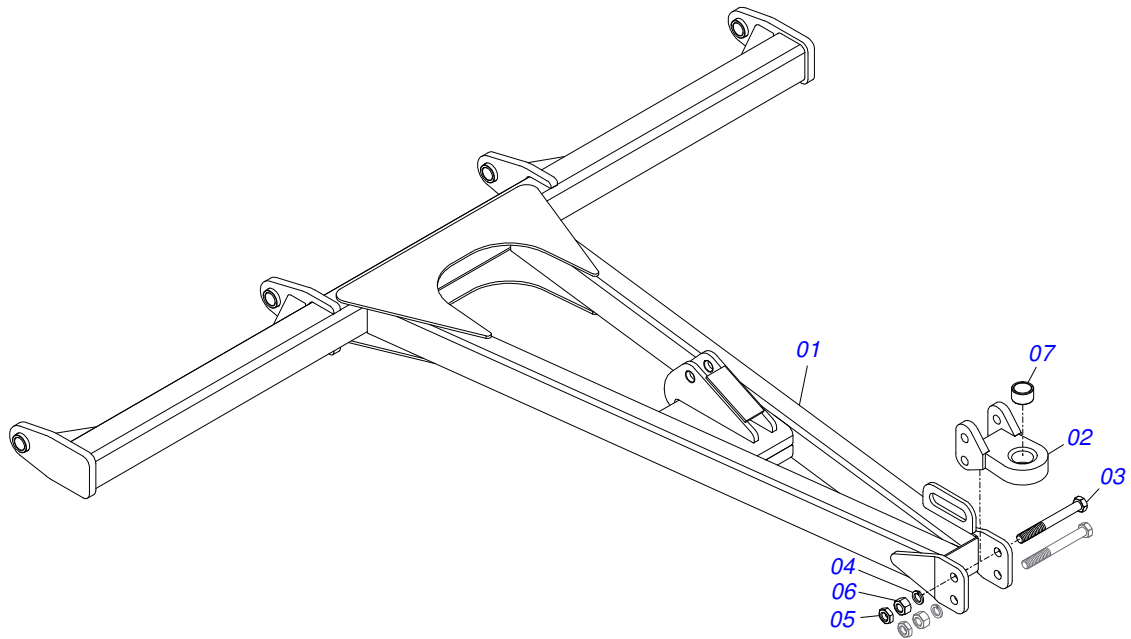
0511052066	FRAME ASSY	.....	1
0511047074	DRAWBAR ASSY	.....	2
0521046208	DRAWBAR ASSY AST/MATIC S-1015	.....	3
0511028010	BOX WITH COMPONENTS	.....	4
0501037575	PACKED PARTS	.....	5
0511058772	LEFT DEPTH CONTROL ASSY	.....	6
0511058771	RIGHT DEPTH CONTROL ASSY AST/MATIC 13 A 17H	.....	7
0501054088	ESTABILIZADOR CABEÇALHO COMPLETO	.....	8
0501051007	RIGHT CARRYING-WHEELS	.....	9
0501051008	LEFT CARRYING-WHEELS	.....	10
0501051142	CARRYING WHEEL HUB	.....	11
0503062010	750 X 16-12L ASSY WHEEL AND TIRE	.....	12
0521045737	HYDRAULIC CILINDER	.....	13
0501053706	SUPPORT WITH BLADE DISC	.....	16
0501052139	18 BLADE DISC WITH FLAT PLAN DISC	.....	17
0521045333	BLADE DISC ASSY	.....	18
0511058648	BOX WITH DISC BLADE 20"	.....	19
0501046935	SHANKS SYSTEM ASSY AST/MATIC 450	.....	20
0501052882	SHANKS SYSTEM WITHOUT SPRING	.....	21
0501052885	3/4 UNC X 450 FASTENER ASSY	.....	22
0501058903	HOSE KIT	.....	23
0511058778	HOSE ASSY	.....	24
0511048139	SUBSOILER CAST STEM SET	.....	25
0501055244	BOX BREAK ROLLER	.....	26
0501055245	BREAK ROLLER ASSY	.....	27
0521044951	BREAK ROLLER	.....	28
0511058773	BREAKER ROLLER ARM ASSY	.....	29
0501046922	7.5" X 1-1/4" OIL BATH BEARING	.....	30
0511057534	FLOW DIVIDING VALVE ASSY	.....	31



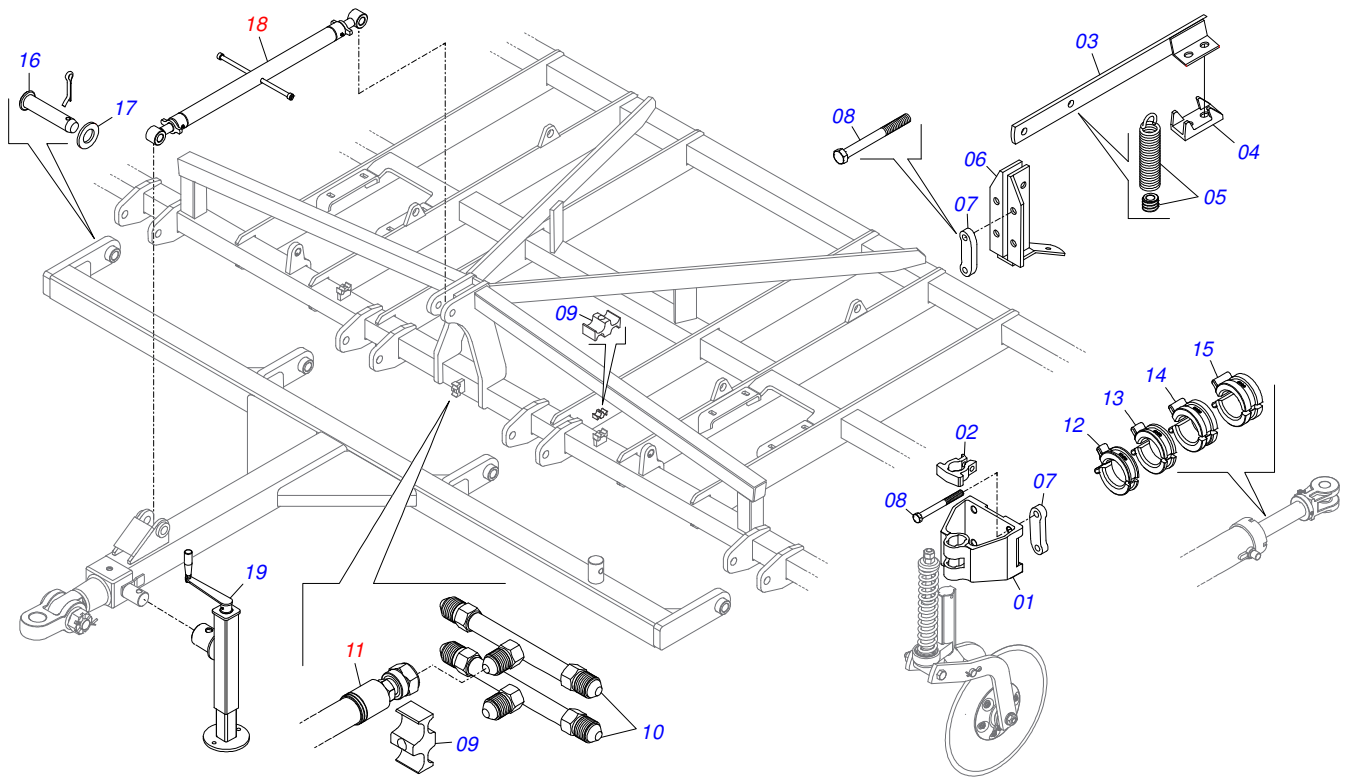
Item	Code	Description	See page	QT
01	0521066642	FRAME		01
01.	0521066644	FRAME STAC L 17H S-1015		01
02	0501051007	RIGHT CARRYING-WHEELS	9	02
03	0501051008	LEFT CARRYING-WHEELS	10	02
04	0501110563	MANCAL ARTICULAÇÃO ESQUERDA C/LUVA		04
05	0501110568	MANCAL ARTICULAÇÃO DIREITA C/LUVA		04
06	0503010901	3/4UNC 3.1/2 BOLT		08
07	0501010322	FLAT WASHER		08
08	0503011442	3/4" SPRING WASHER		08
09	0503010014	3/4" NUT		08
10	0503010002	1800 GREASE FITTING		04
11	0521012538	1.2" X 3.5" COUPLING SHAFT		08
12	0503010523	1/4" X 2" COTTERPIN		08
13	0521045631	HYDRAULIC CYLINDER		02
14	0521045632	HYDRAULIC CYLINDER		02



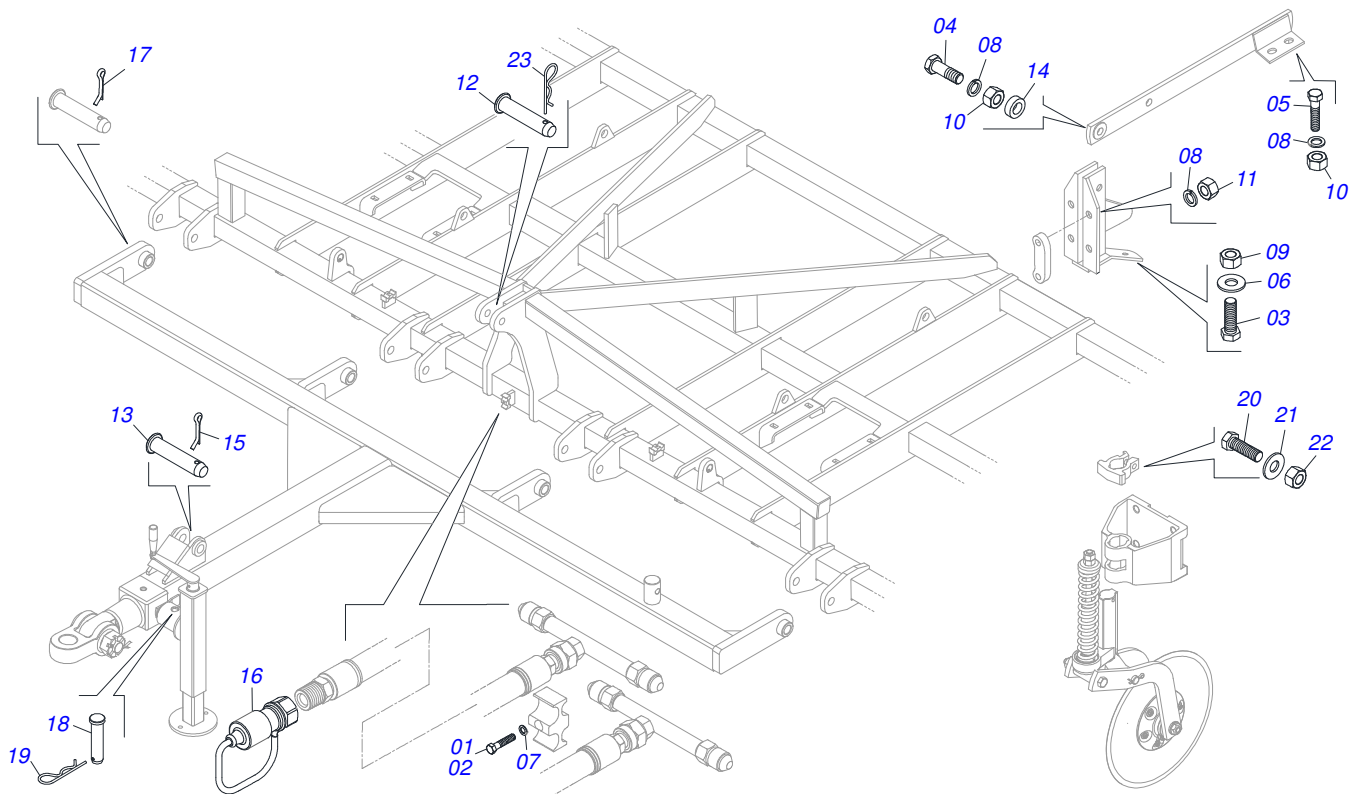
Item	Code	Description	See page	QT
01	0511069431	DRAWBAR		01
02	0502040727	COUPLING SHAFT		01
03	0502040327	ANEL TRAVA ENGATE		01
04	0511014902	COUPLING SHAFT		01
05	0503010571	1/4" X 1.1/2 COTTERPIN		01
06	1902040733	U COUPLING HOOK		01
07	0501011301	1.1/2 UNC 6FPP 2.5/16 NUT		01
08	0503010010	1/4" X 2.1/2" COTTERPIN		01
09	0521012545	COUPLING SHAFT		01



Item	Code	Description	See page	QT
01	0521066645	DRAWBAR AST/MATIC		01
02	0511068234	TRACTOR HITCH		01
03	0501010064	1" X 9" BOLT		02
04	0503011438	SPRING WASHER		02
05	0503013635	1" NUT		02
06	0501010059	1.5/8 NUT		02
07	0551018558	SLEEVE 39,00 X 51,00 X 36		01

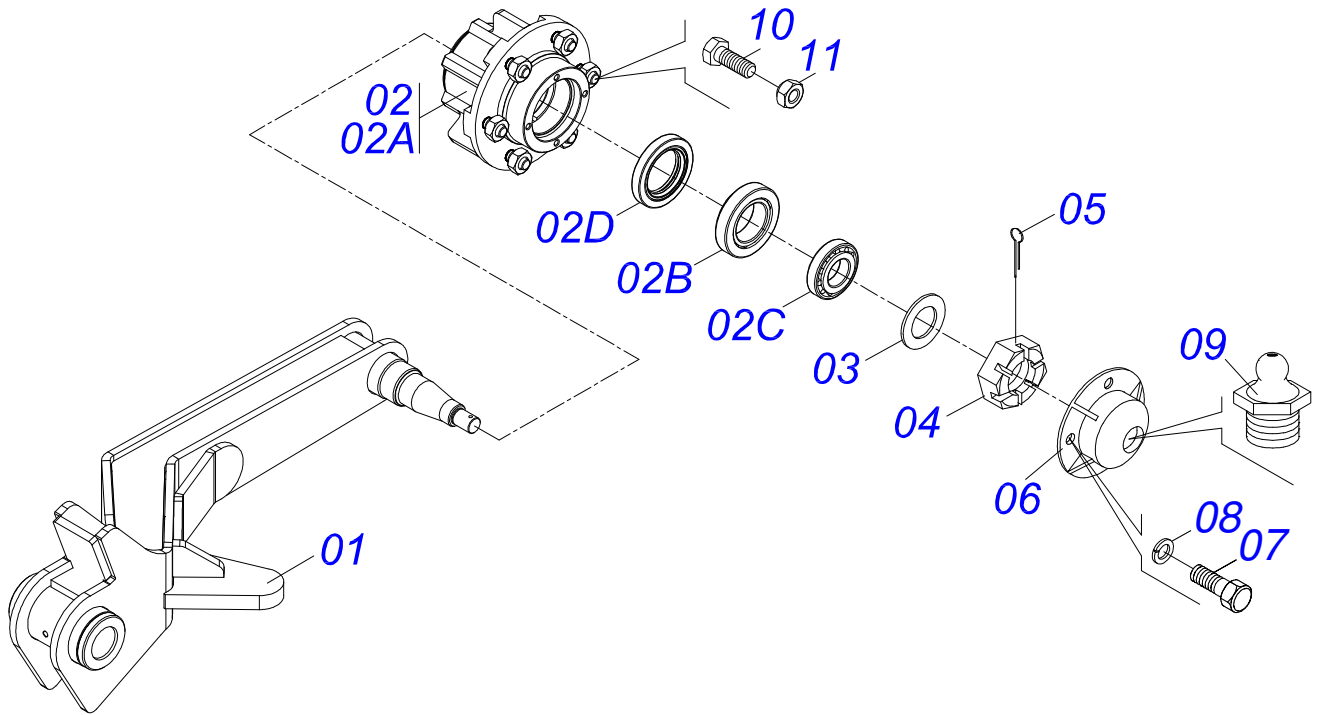


Item	Code	Description	See page	QT
01	0502012026	BLADE DISC FIXER SUPPORT		15
02	0502012024	FIXER SUPPORT BUSHING		15
03	0511065378	BREAK ROLLER ARM		08
04	0502011170	FIXER		08
05	0501053355	HITCH TRACTION SPRING		08
06	0501068437	BREAK ROLLER SUPPORT FIXATION		08
07	0571011609	FIXER PLATE CUTTING DISC		46
08	0503014744	3/4 UNF X 7.1/2 C S G.7 ZN BOLT		92
09	0502012702	BODY SUPPORT CLAMP		05
10	0501072676	OIL DISTRIBUTOR BODY		02
11	0501058903	HOSE KIT	23	01
12	0501047895	ROD STOP		10
13	0501047885	ROD STOP		02
14	0501047886	ROD STOP		02
15	0501047887	ROD STOP		02
16	0551018288	COUPLING SHAFT		04
17	0551018300	FLAT WASHER		04
18	0501054088	ESTABILIZADOR CABEÇALHO COMPLETO	8	01
19	0511048088	DRAWBAR JACK		01

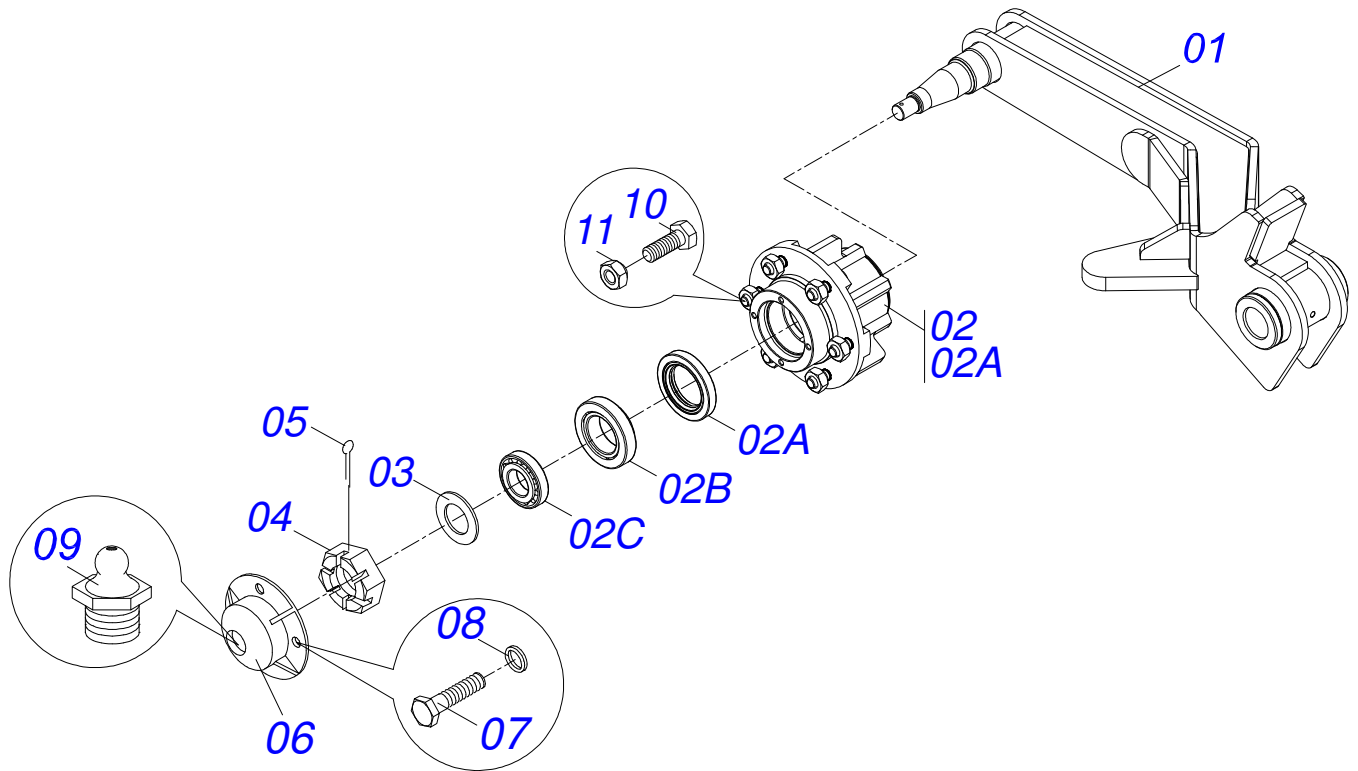


Item	Code	Description	See page	QT
01	0503012555	7/16" X 2" BOLT		03
02	0503010850	7/16" X 3" BOLT		02
03	0503011264	1/2" X 2-1/2" BOLT		08
04	0501010827	3/4" X 2-3/4" BOLT		08
05	0501010216	3/4" X 4-1/2" BOLT		16
06	0511017302	FLAT WASHER		08
07	0503010180	7/16" SPRING WASHER		05
08	0503010023	SPRING WASHER		116
09	0503010060	1/2" NUT		08
10	0503010014	3/4" NUT		24
11	0503010335	3/4"NUT		92
12	0521012536	COUPLING SHAFT		01
13	0531017716	AXLE TIGHTENER		01
14	0511018178	BUSHING		08
15	0503010523	1/4" X 2" COTTERPIN		02
16	0501053834	MALE QUICK COUPLING AGRICULTURAL WITH COVER - 1/2 NPT		02
17	0503010534	3/8 X 2-1/2 COTTERPIN		04
18	0561014251	COUPLING SHAFT		01
19	0503030012	HAIR PIN		01
20	0503013184	5/8" X 2-3/4" BOLT G.8		15
21	0501011299	FLAT WASHER		15
22	0503010129	5/8" NUT		15
23	0503030168	HAIR PIN		01

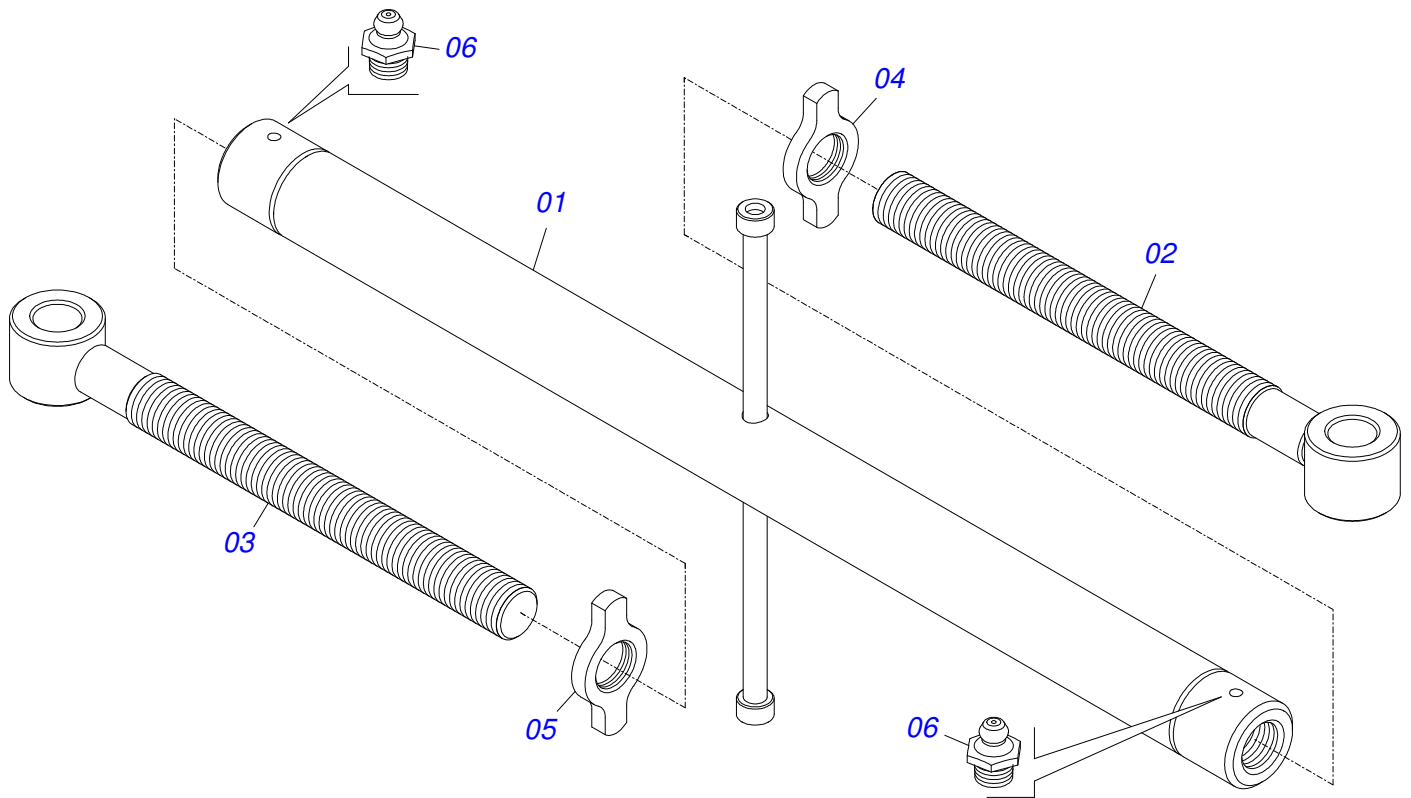




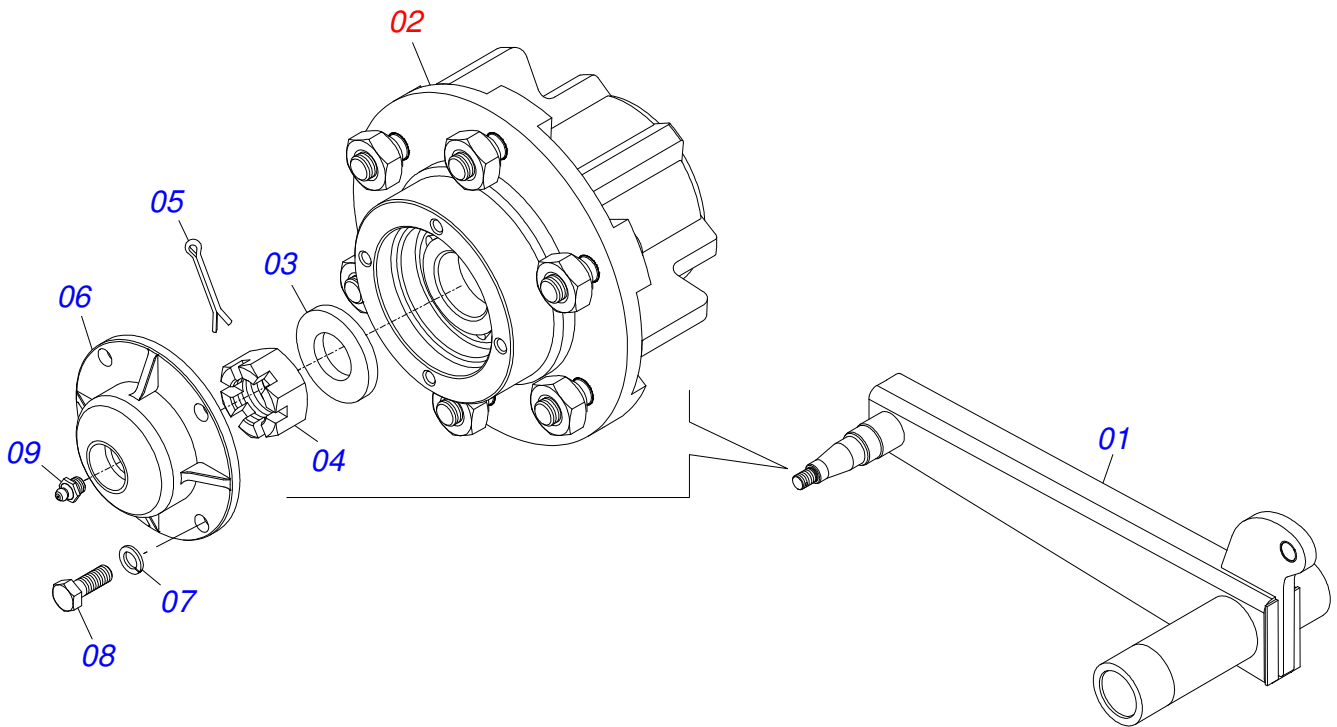
Item	Code	Description	See page	QT
01	0521066647	CARRYNG-WHEELS LEFT		01
02	0501051142	CARRYING WHEEL HUB	11	01
02A	0501110728	WHEEL HUB		01
02B	0503010006	32210 ROLLER BEARING		01
02C	0503010037	30207 ROLLER BEARING		01
02D	0503012928	SEAL		01
03	0501016545	FLAT WASHER		01
04	0503030009	1" CASTLE NUT		01
05	0503010018	5/32 X 1-1/2 COTTERPIN		01
06	0502020591	PROTECCION COVER		01
07	0503010358	5/16" X 5/8" BOLT		04
08	0503011444	SPRING WASHER		04
09	0503010002	1800 GREASE FITTING		02
10	0501810127	9/16UNFX1.7/8BOLT		06
11	0503810035	9/16 NF CONIC NUT		06



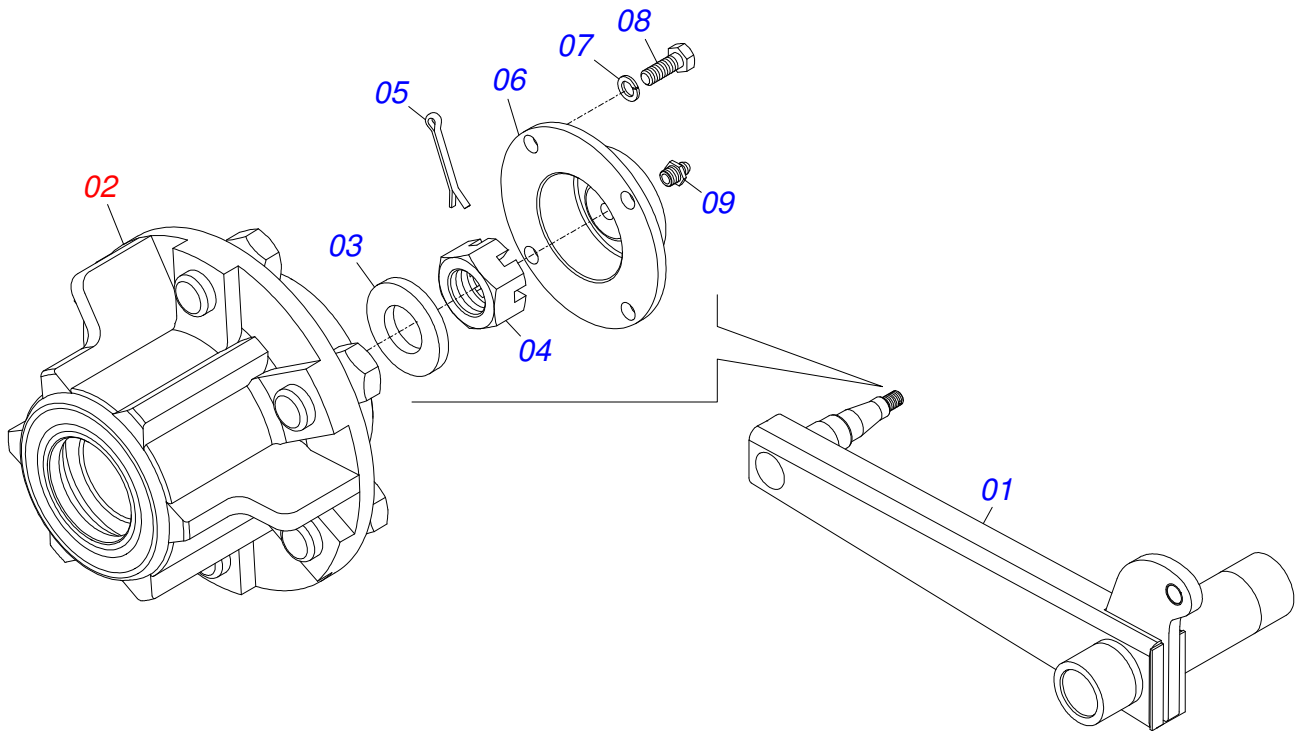
Item	Code	Description	See page	QT
01	0521066646	WHEELS RIGHT		01
02	0501051142	CARRYING WHEEL HUB	11	01
02A	0501110728	WHEEL HUB		01
02B	0503010006	32210 ROLLER BEARING		01
02C	0503010037	30207 ROLLER BEARING		01
02D	0503012928	SEAL		01
03	0501016545	FLAT WASHER		01
04	0503030009	1" CASTLE NUT		01
05	0503010018	5/32 X 1-1/2 COTTERPIN		01
06	0502020591	PROTECCION COVER		01
07	0503010358	5/16" X 5/8" BOLT		04
08	0503011444	SPRING WASHER		04
09	0503010002	1800 GREASE FITTING		02
10	0501810127	9/16UNFX1.7/8BOLT		06
11	0503810035	9/16 NF CONIC NUT		06



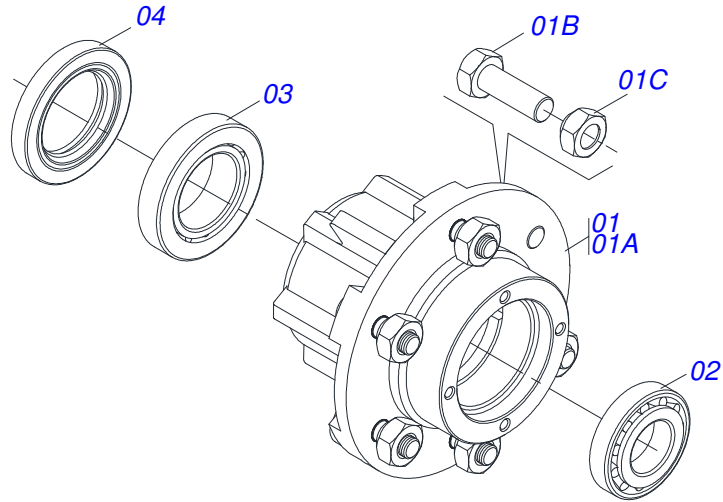
Item	Code	Description	See page	17/19/21HASTES
01	0511063786	EXTENSOR 950 AST/MATIC E 550		01
02	0511063787	FUSO EXTERNO R1.1/2 X 432 DIREITO		01
03	0511063788	FUSO EXTERNO R1.1/2 X 432 ESQUERDO		01
04	0541018672	COUNTERNUT		01
05	0541018673	COUNTERNUT		01
06	0503010002	1800 GREASE FITTING		02



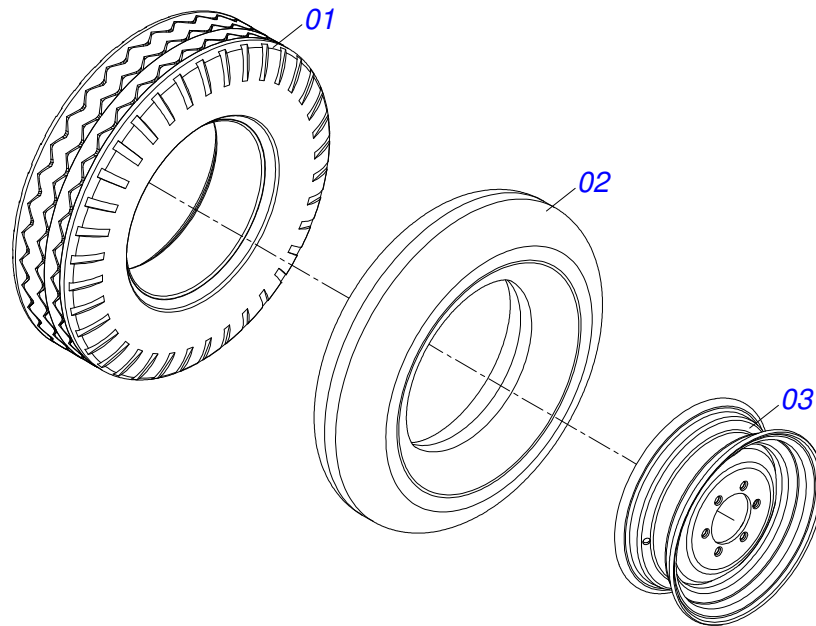
Item	Code	Description	See page	QT
01	0501068416	RIGHT CARRYING-WHEELS		01
02	0501051142	CARRYING WHEEL HUB	11	01
03	0501016545	FLAT WASHER		01
04	0503030009	1" CASTLE NUT		01
05	0503010018	5/32 X 1-1/2 COTTERPIN		01
06	0502020591	PROTECCION COVER		01
07	0503011444	SPRING WASHER		04
08	0503010358	5/16" X 5/8" BOLT		04
09	0503010002	1800 GREASE FITTING		01



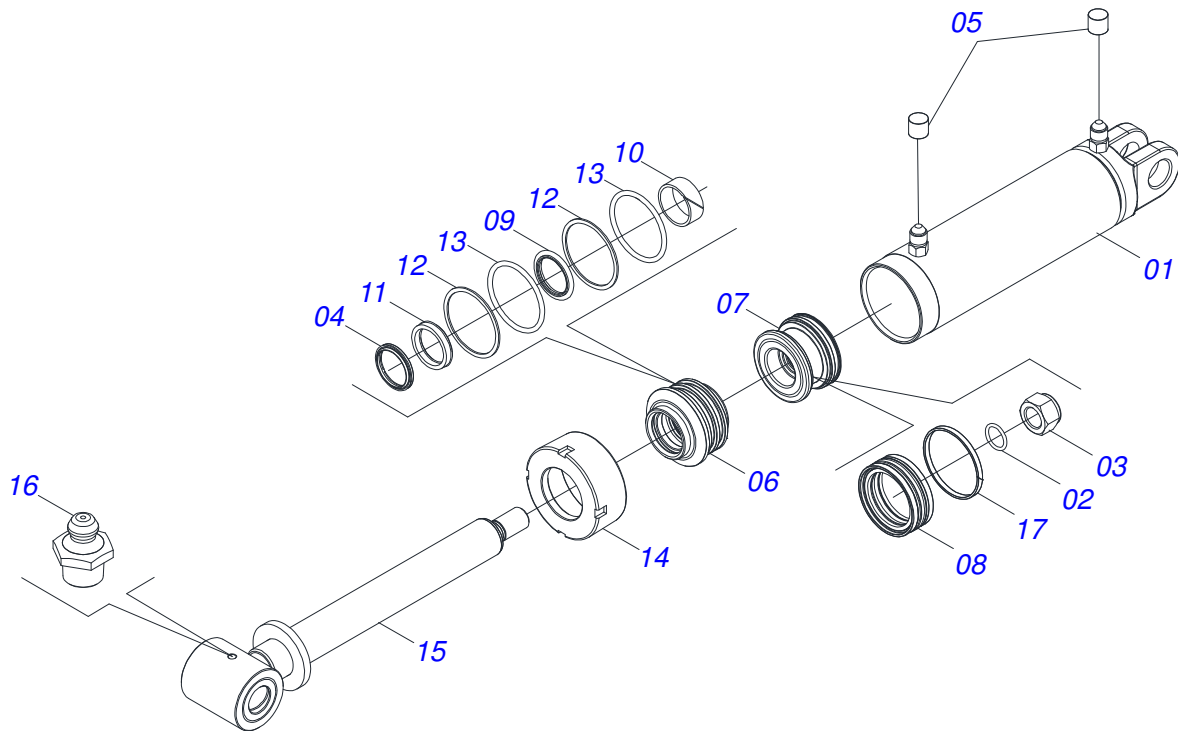
Item	Code	Description	See page	QT
01	0501068417	LEFT CARRYING-WHEELS		01
02	0501051142	CARRYING WHEEL HUB	11	01
03	0501016545	FLAT WASHER		01
04	0503030009	1" CASTLE NUT		01
05	0503010018	5/32 X 1-1/2 COTTERPIN		01
06	0502020591	PROTECCION COVER		01
07	0503011444	SPRING WASHER		04
08	0503010358	5/16" X 5/8" BOLT		04
09	0503010002	1800 GREASE FITTING		01



Item	Code	Description	See page	QT
01	0501110728	WHEEL HUB		01
01A	0502011121	CARRYING WHEEL HUB		01
01B	0501010127	9/16" X 1-7/8" LUG BOLT		06
01C	0503010035	9/16" CONIC NUT		06
02	0503010037	30207 ROLLER BEARING		01
03	0503010006	32210 ROLLER BEARING		01
04	0503012928	SEAL		01

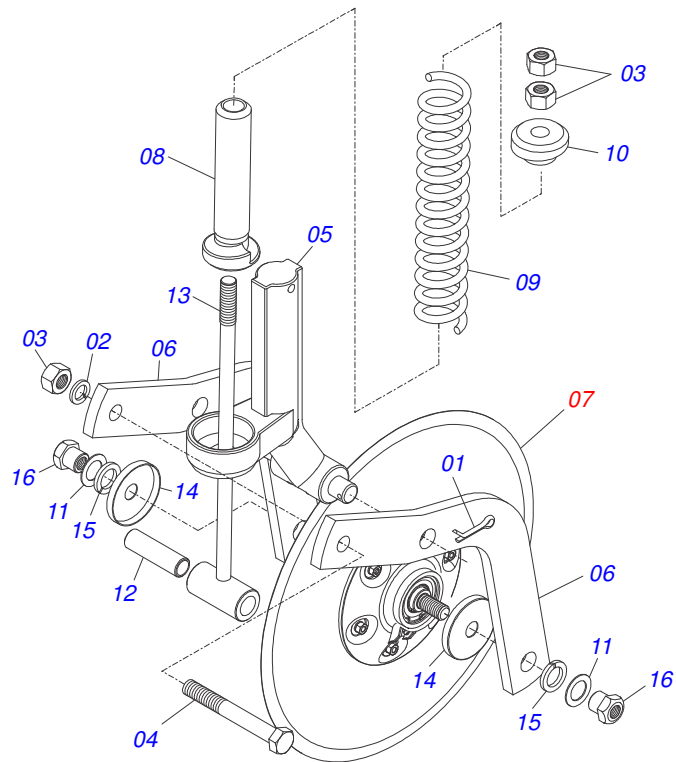


Item	Code	Description	See page	QT
01	0503012864	TYRE		01
02	0503010033	7.50 X 16 INNER TIRE		01
03	0521062708	WHEEL 5,50 X 16 X 118 X 6F 16,50 X 152,40		01

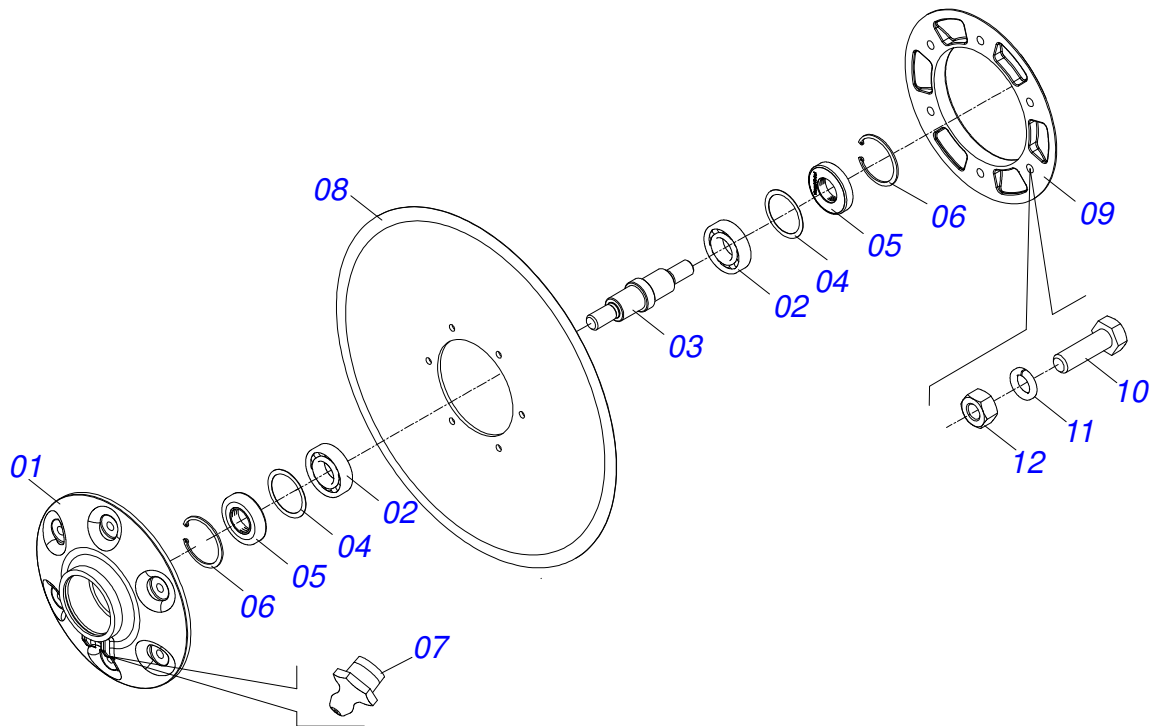


Item	Code	Description	See page	QT
001	0511061588	3.4" X 16" CYLINDER CASE		01
002	0503010042	2-214 N 3006-9B O'RING		01
003	0503010063	1" SELF-ALIGNING NUT		01
004	0503010761	D-1750 SCRAPER RING		01
005	0503030385	CYLINDER PLUG N-002		02
006	0571019711	RING SUPPORT		01
007	0571019710	1.7" X 3.4" PISTON		01
008	0503017935	RING		01
009	0503017936	RING		01
010	0503017938	RING GUIDE		01
011	0503017937	GASKET		01
012	0503017940	8-337 BACK-UP RING		01
013	0503017939	2-337 N 3006-9B O' RING		01
014	0571019709	DETACHABLE COVER		01
015	0521066243	TURNBUCKLE		01
016	0503010002	1800 GREASE FITTING		01
017	0503018144	RING		01

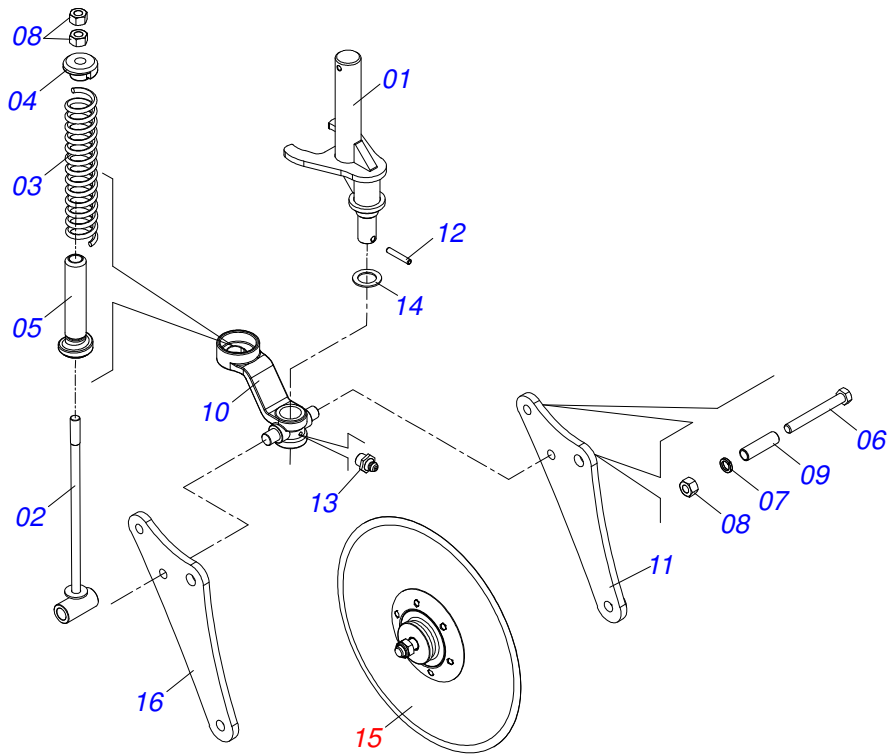




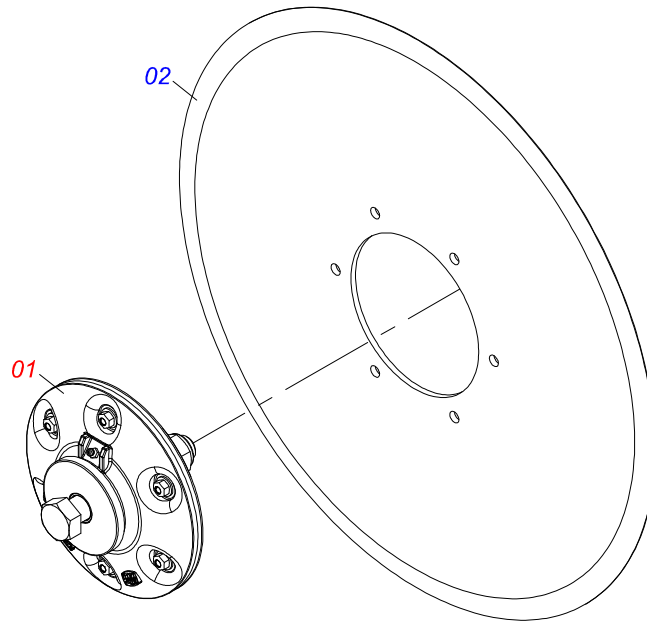
Item	Code	Description	See page	QT
01	0503010571	1/4" X 1.1/2 COTTERPIN		02
02	0503011442	3/4" SPRING WASHER		01
03	0503010014	3/4" NUT		03
04	0503011198	C3/4" X 6" BOLT		01
05	0502012025	BLADE DISC SUPPORT		01
06	0521019800	BLADE DISC BREAK		02
07	0501052139	18 BLADE DISC WITH FLAT PLAN DISC	17	01
08	0511061576	SPRING GUIDE		01
09	0503031679	COMPRES SPRING		01
10	1902020393	SPRING UPPER SUPPORT		01
11	0511015346	FLAT WASHER		02
12	0521010452	SLEEVE		01
13	0511060915	ROD SPRING		01
14	0521015376	DUST CLOAK		02
15	0503011438	SPRING WASHER		02
16	0521013510	3/4" NUT		02



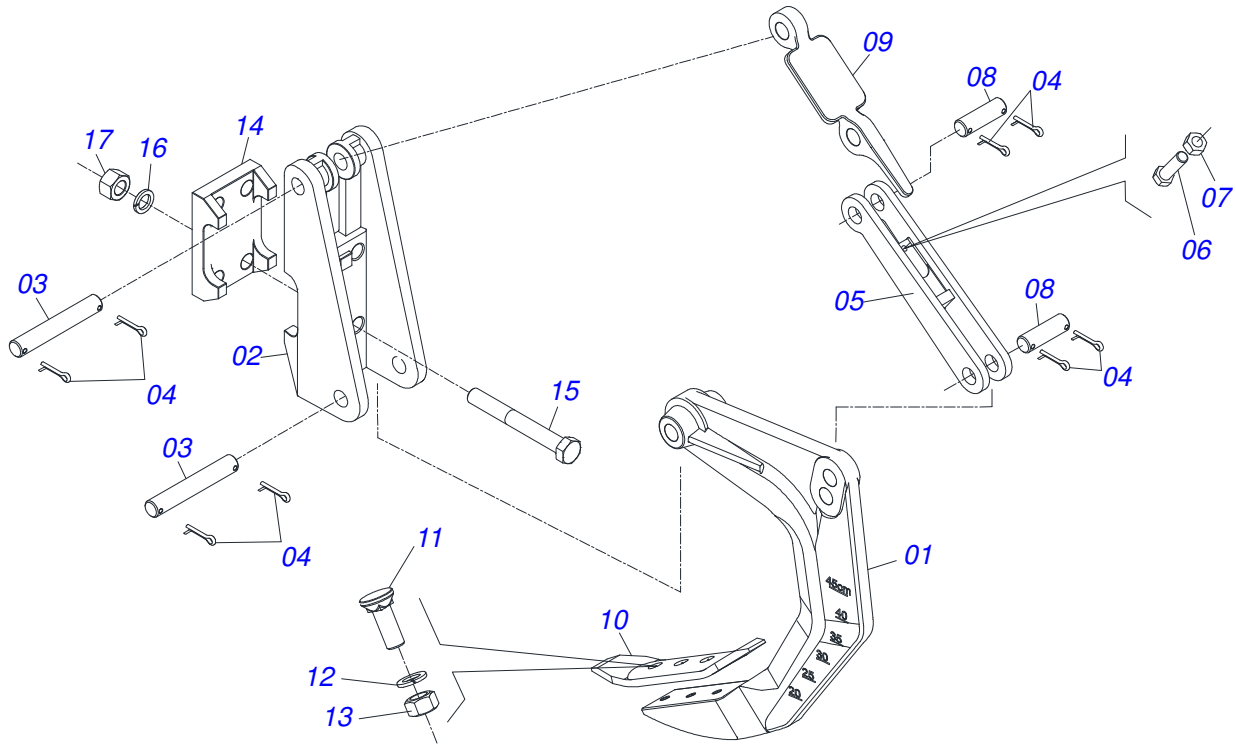
Item	Code	Description	See page	QT
01	0502011562	DC PST ACT/ULTR BOX		01
02	0503010276	6206 BALL BEARING		02
03	0521013610	BLADE DISC HUB AXLE		01
04	0503030832	FLAT WASHER		02
05	0503012417	SEAL		02
06	0503011800	SEAL RING		02
07	0503010691	1/4" GREASE FITTING		01
08	0603026013	PLAIN COULTER BLADE		01
09	0502020641	BLADE DISC FLANGE		01
10	0503010371	5/16" X 1" BOLT		06
11	0503011444	SPRING WASHER		06
12	0503010337	5/16" NUT		06



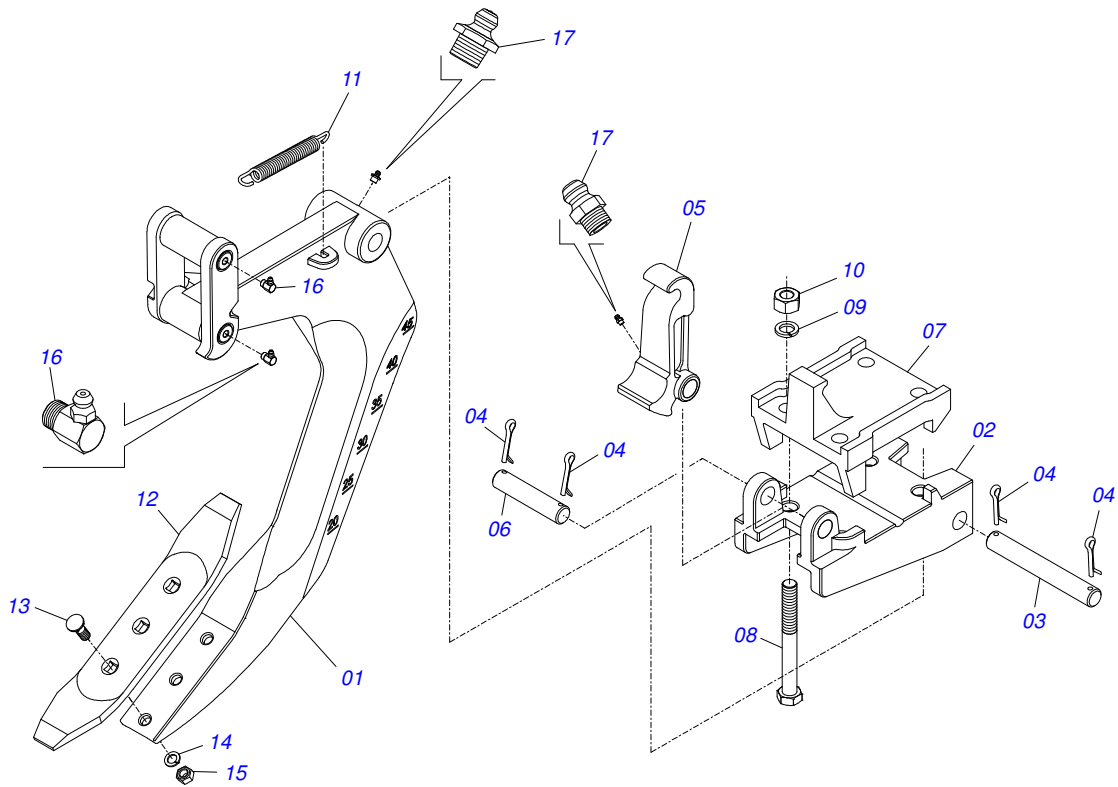
Item	Code	Description	See page	QT
01	0521065732	BLADE DISC AXLE ASSY		01
02	0511060915	ROD SPRING		01
03	0503031679	COMPRES SPRING		01
04	1902020393	SPRING UPPER SUPPORT		01
05	0511061576	SPRING GUIDE		01
06	0503011198	C3/4" X 6" BOLT		02
07	0503011442	3/4" SPRING WASHER		02
08	0503010014	3/4" NUT		04
09	0521010452	SLEEVE		02
10	0502012817	DISC BLADE SUPPORT		01
11	0571018178	DISC BLADE ARM		01
12	0503010361	SPRING PIN		01
13	0503010002	1800 GREASE FITTING		01
14	0541018684	FLAT WASHER		01
15	0511058648	BOX WITH DISC BLADE 20"	19	01
16	0521065733	DISC BLADE ARM		01



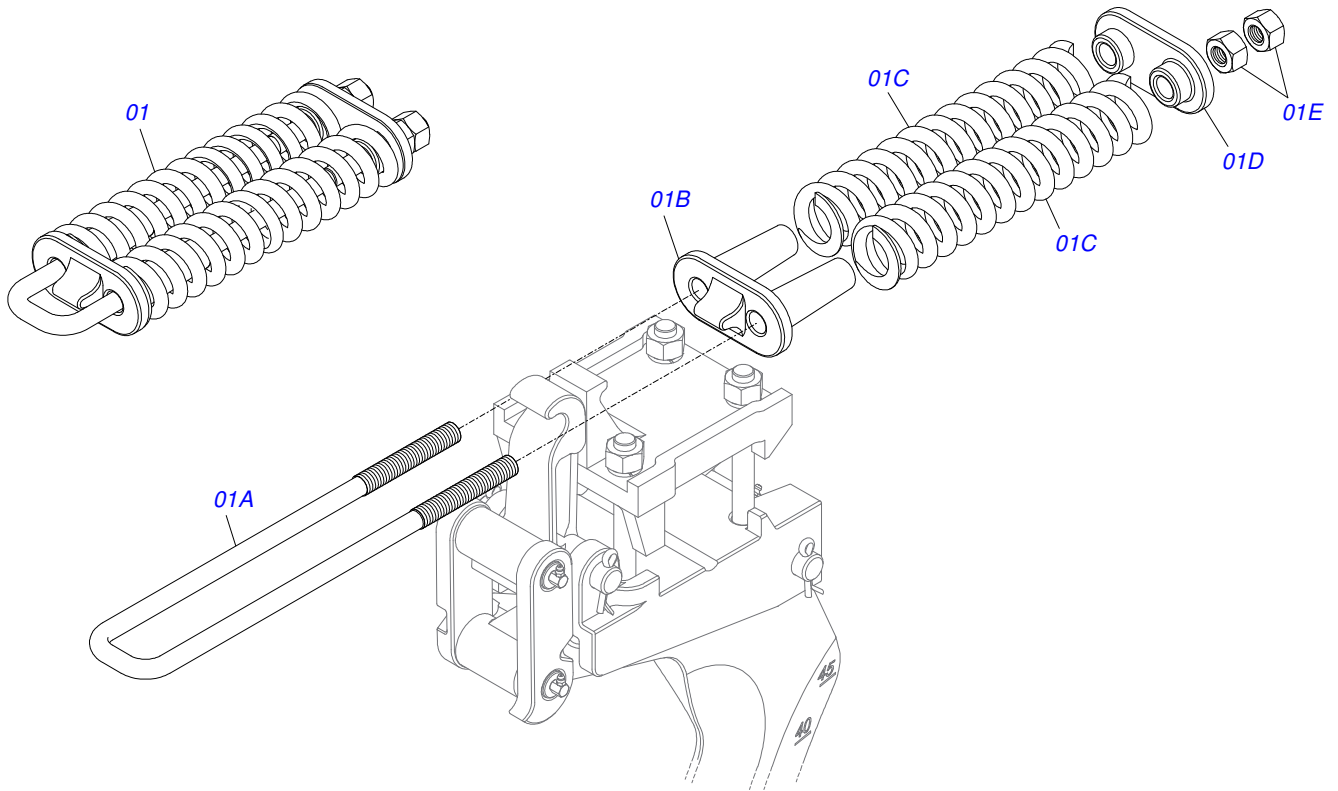
Item	Code	Description	See page	QT
01	0511056909	DISC BOX CUT WITHOUT THE DISC		01
02	0603027851	20" X 0.2" FLAT PLAIN DISC		01



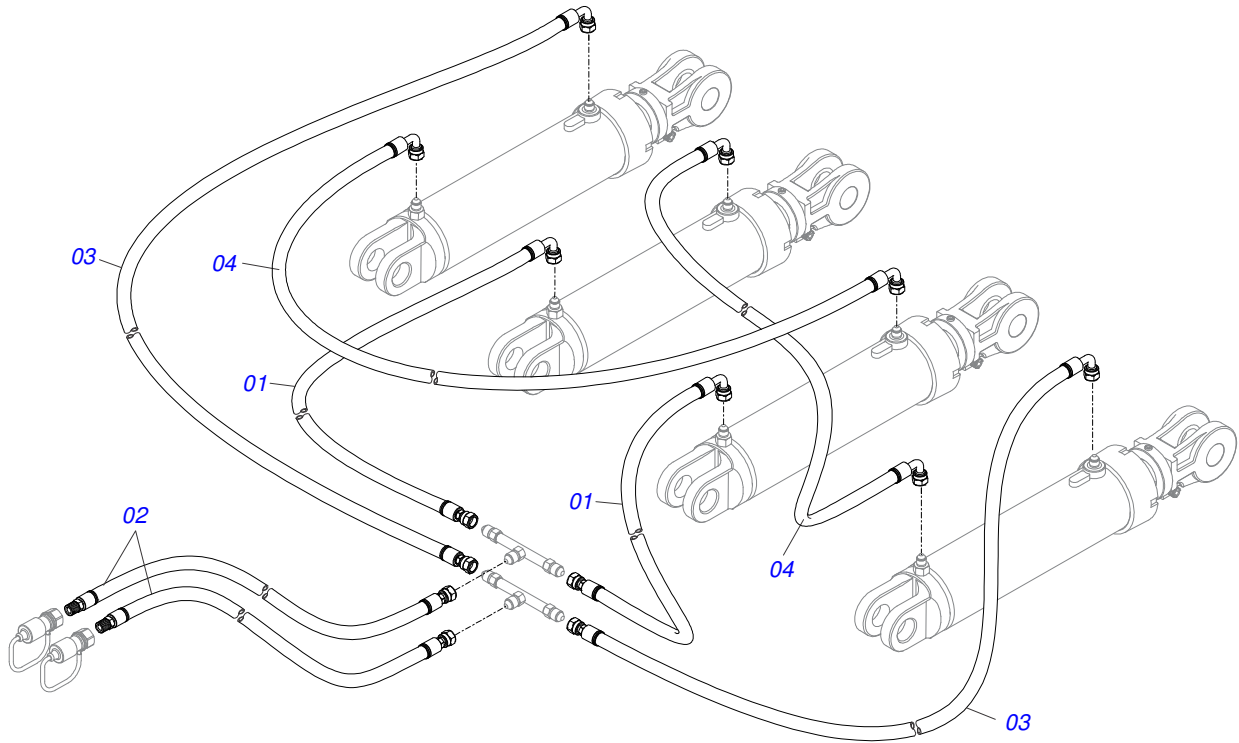
Item	Code	Description	See page	QT
01	0502011264	ARM AST/MATIC	01	01
02	0502011165	REAR FIXER	01	01
03	0511015688	1.1" X 7.1" COUPLING SHAFT	02	02
04	0503010571	1/4" X 1.1/2 COTTERPIN	08	08
05	0502011164	SUPPORT SPRING	01	01
06	0503811135	BOLT	01	01
07	0503010244	7/16" NUT	01	01
08	0511015689	1.1" X 3.5" COUPLING SHAFT	02	02
09	0521011631	AUTOMATIC RESET	01	01
10	0624010005	POINT SUBSOILER 16"X3"X1/2" E019	01	01
11	0503812956	BOLT	03	03
12	0503011440	SPRING WASHER	03	03
13	0503010020	1/2"NUT	03	03
14	0502011166	FRONT FIXER	01	01
15	0511019527	1" X 8" BOLT	04	04
16	0503011438	SPRING WASHER	04	04
17	0503010340	1" NUT	04	04



Item	Code	Description	See page	QT
01	0511061712	ARM SUBSOILER		01
02	0502012692	FIXING BASE		01
03	0521017725	1" X 7.4" COUPLING SHAFT		02
04	0503010571	1/4" X 1.1/2" COTTERPIN		04
05	0502011864	AST/MATIC 450 RESET		01
06	0521017724	1" X 6.2" COUPLING SHAFT		01
07	0502012691	FIXER BASE UPPER		01
08	0503012729	3/4" X 6-3/4" BOLT		04
09	0503011442	3/4" SPRING WASHER		04
10	0503010014	3/4" NUT		08
11	0503031574	6.9" X 0.8" X 0.1" EXTENSION SPRING		01
12	0624010005	POINT SUBSOILER 16"X3"X1/2" E019		01
13	0503012956	1/2" X 1-1/2" BOLT		03
14	0503011440	SPRING WASHER		03
15	0503010020	1/2"NUT		03
16	0503010004	1890 GREASE FITTING		01
17	0503010002	1800 GREASE FITTING		02

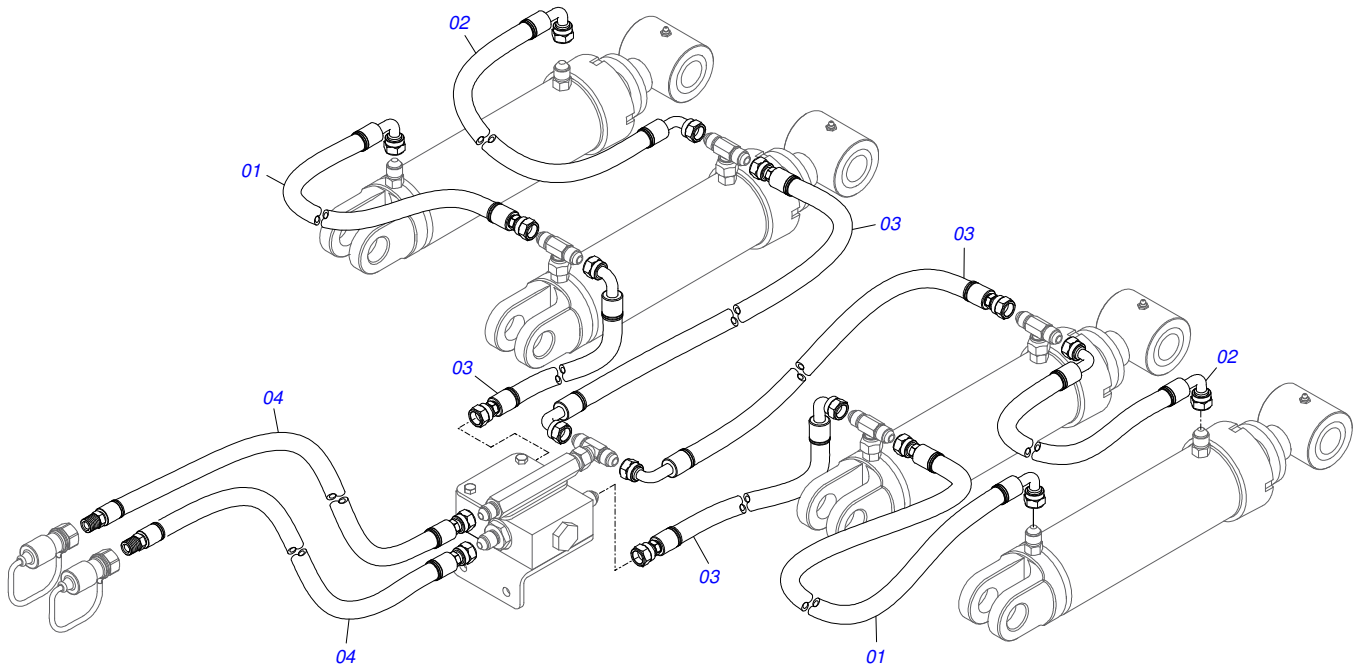


Item	Code	Description	See page	QT
01	0501052885	3/4 UNC X 450 FASTENER ASSY	22	01
01A	0521015426	3/4" X 18" FASTENER		01
01B	0502011860	SPRING LOWER SUPPORT		01
01C	0503031575	2.5"X 12" X 0.5" COMPRESSION SPRING		02
01D	0502011866	SPRING UPPER SUPPORT		01
01E	0503010014	3/4" NUT		04

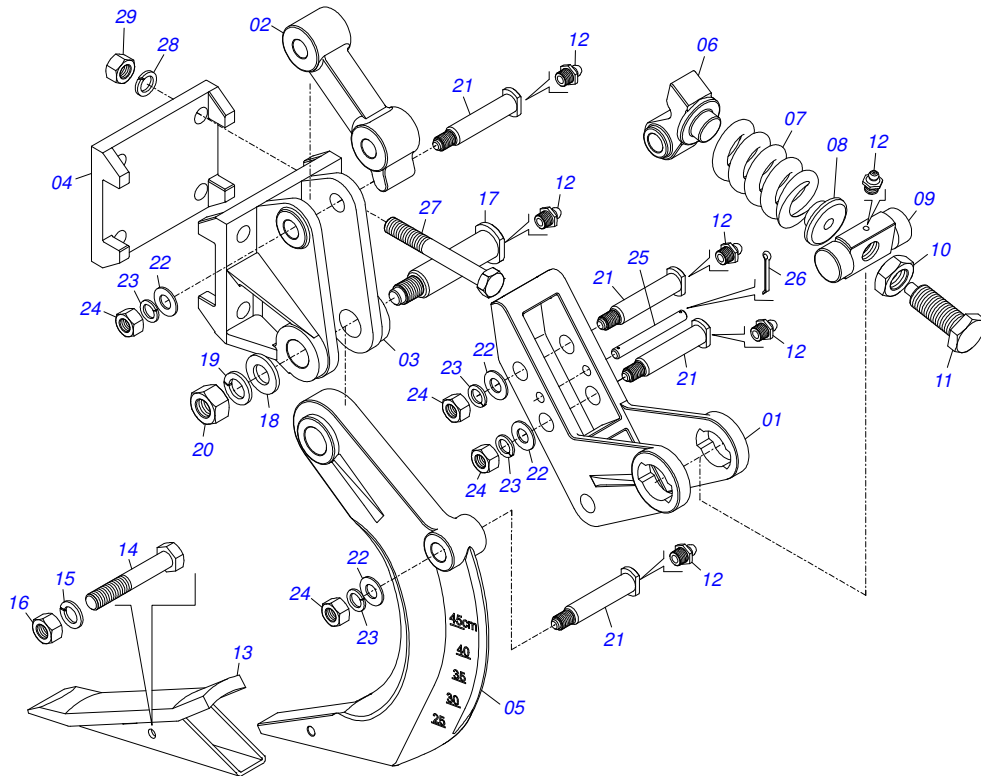


Item	Code	Description	See page	QT
01	0501080025	TR-TC HOSE ASSY		02
02	0501080510	3/8" X 137" TR-TR HOSE ASSY		02
03	0501080408	3/8" X 125.9" TR-TC HOSE ASSY		02
04	0501080579	TC-TC HOSE ASSY		02

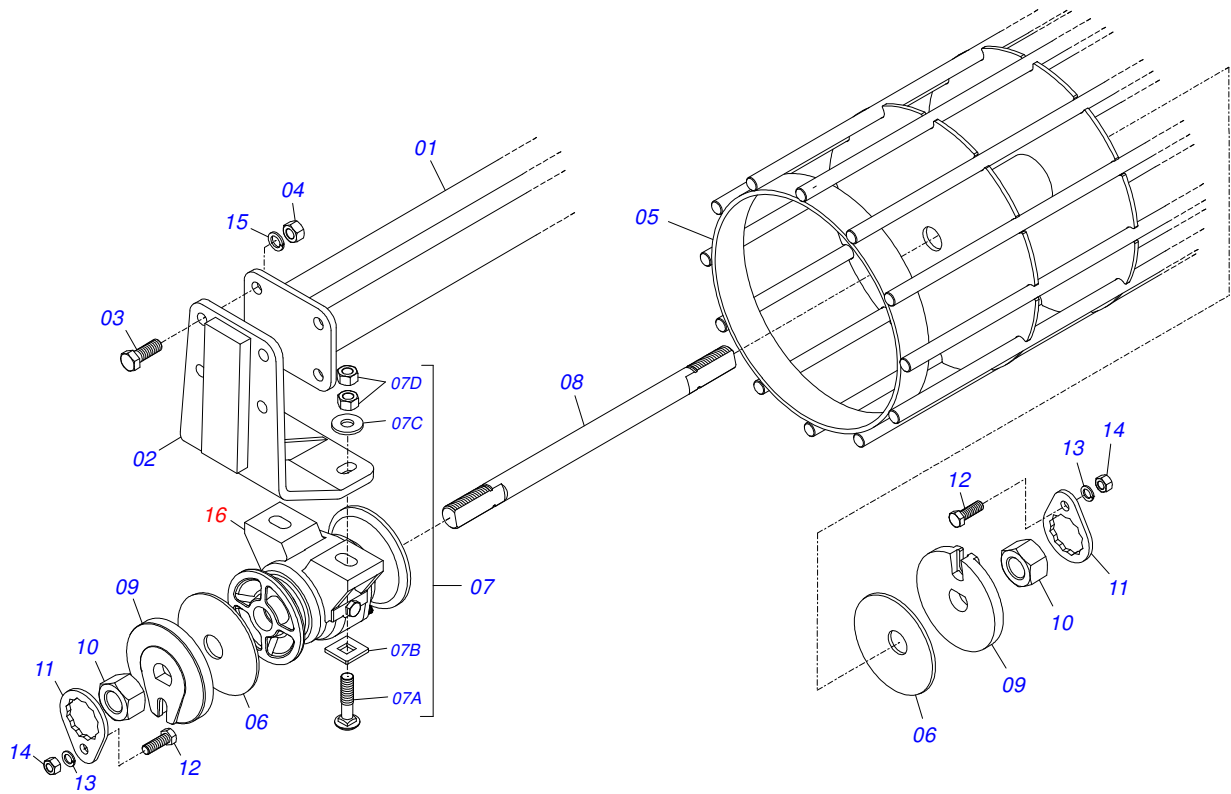




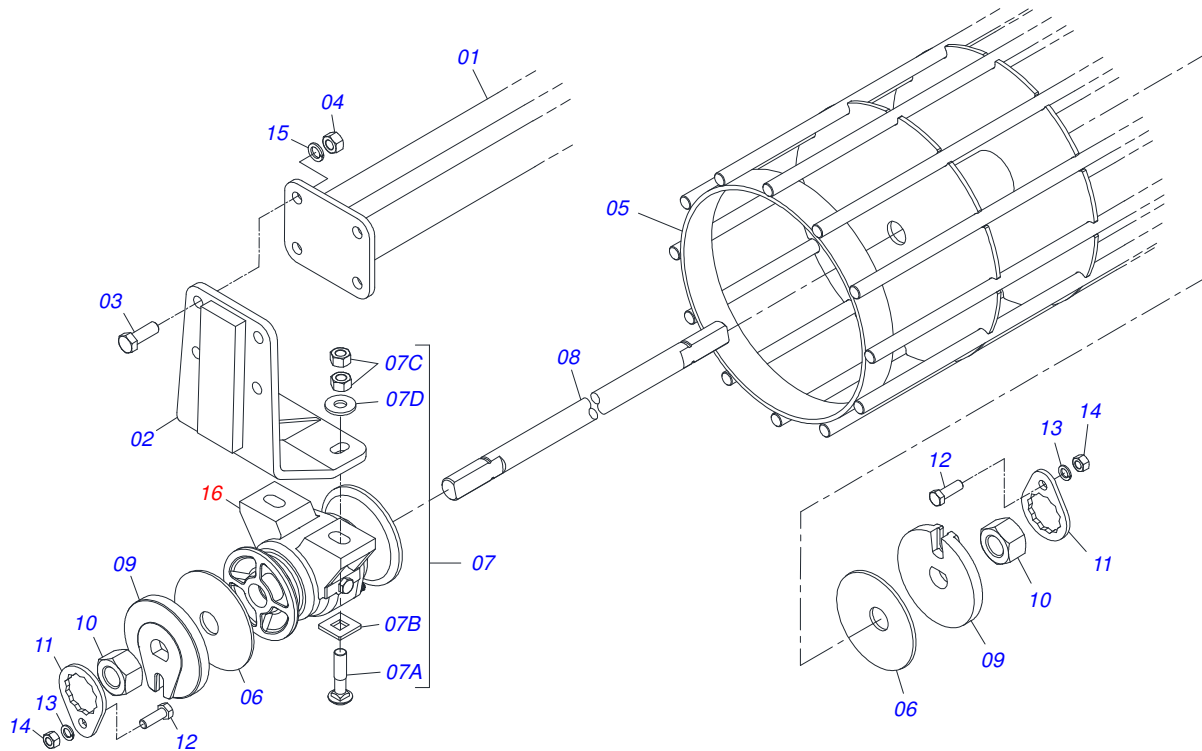
Item	Code	Description	See page	QT
01	0501080461	TR-TC HOSE ASSY		02
02	0501080393	3/8 X 2200 TC-TC HOSE		02
03	0501080450	TR-TC HOSE ASSY		04
04	0501080509	TR-TM HOSE ASSY		02



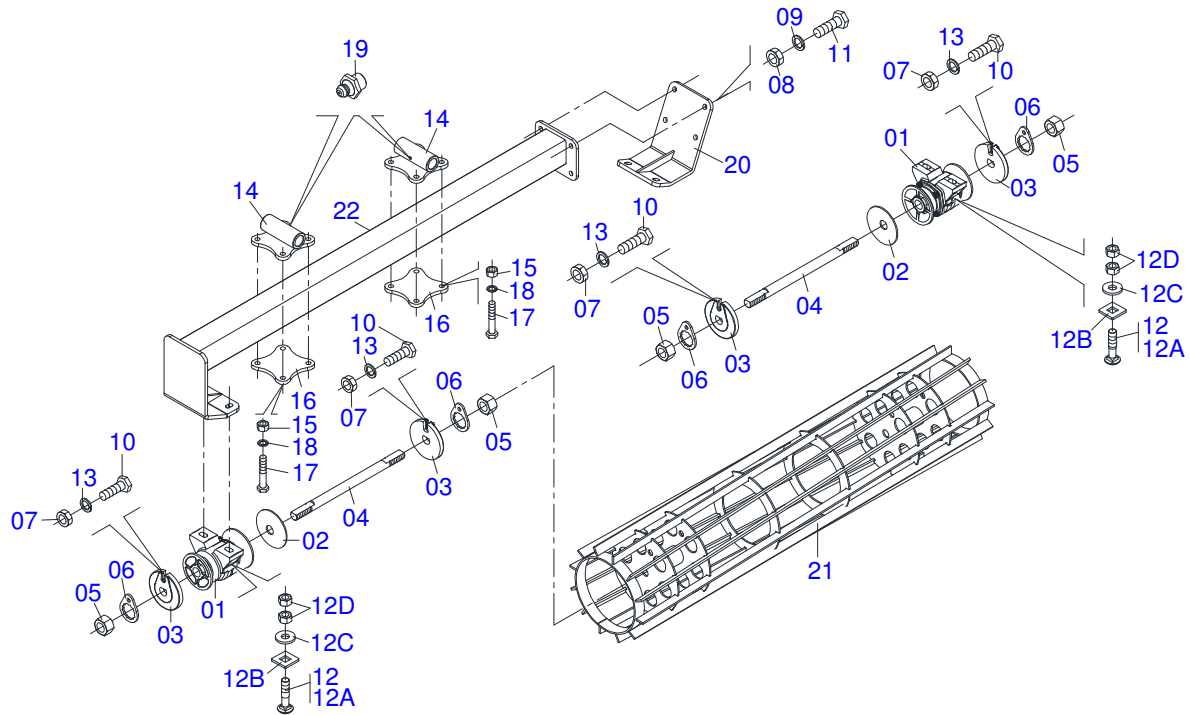
Item	Code	Description	See page	QT
01	0502012550	LOWER ARM DISARM	01	
02	0502040792	UPPER ARM DISARM	01	
03	0502012549	ROD SUPPORT	01	
04	0502012548	ROD HOLDER ASSEMBLY	01	
05	0502012551	ROD	01	
06	0502040791	HITCH DISARM	01	
07	0503031882	SPRING	01	
08	0521017340	SPRING GUIDE	01	
09	0502012547	SUPPORT BOLT	01	
10	0503012670	LOCKNUT 1-1/2"	01	
11	0521017339	REGULATION BOLT	01	
12	0503010002	1800 GREASE FITTING	06	
13	0521063051	BICO ROD ASSY	01	
14	0503010479	1/2" X 3" BOLT	01	
15	0503010019	1/2" SPRING WASHER	01	
16	0503010060	1/2" NUT	01	
17	0521017254	PIN ARTICULATION	01	
18	0501017779	FLAT WASHER	01	
19	0503010070	SPRING WASHER	01	
20	0503010352	1.1/4" UNF NUT	01	
21	0521017255	DISARMENT PIN CCQ 21700DA 3954591	04	
22	0501010076	FLAT WASHER	04	
23	0503010408	7/8" SPRING WASHER	04	
24	0503010417	7/8" NUT	04	
25	0521017338	PIN LOCK CACC 32600 4081632 ZN	01	
26	0503010362	1/8" X 1.1/4" COTTERPIN	02	
27	0501014172	1" X 8" BOLT	04	
28	0503010012	1" SPRING WASHER	04	
29	0501010059	1.5/8" NUT	04	



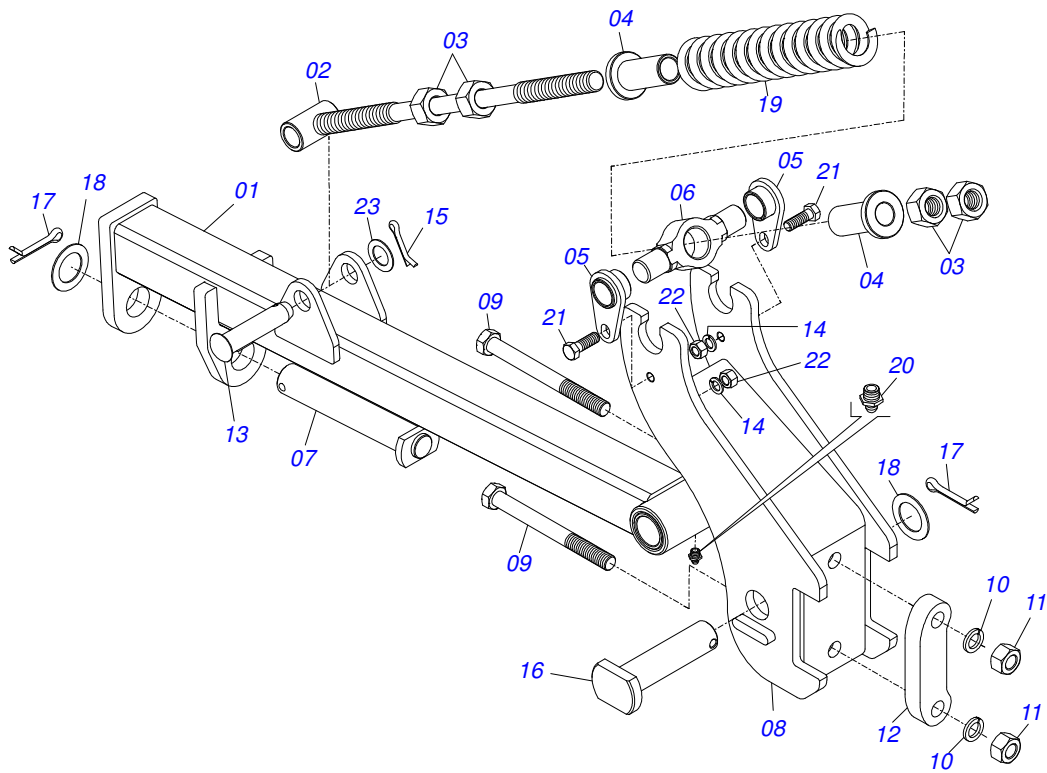
Item	Code	Description	See page	QT
01	0511065380	1329 BREAK ROLLER SUPPORT		01
02	0511069433	BREAK ROLLER BRACKET		01
03	0503010232	5/8" X 1.3/4" BOLT		04
04	0503010013	5/8" NUT		04
05	0511065383	BREAK ROLLER 1310		01
06	0531018575	ARRUELA CONCAVA 33,50X 140X 4,75		02
07	0501058802	5/8 UNC X 2.3/4 BOLT ASSY		04
07A	0503015154	5/8" X 2.3/4" BOLT		01
07B	0501010947	5/8 NUT LOCK		01
07C	0503010013	5/8" NUT		02
07D	0501012140	FLAT WASHER		01
08	0541011902	1.1/4 X 1355 AXLE		01
09	0502010835	1-1/4" EXTERNAL AXLE WASHER		02
10	0501010087	1.1/4" NUT		02
11	0501010455	1.1/4" NUT LOCK		02
12	0501010161	1/2" X 1.1/4" BOLT		02
13	0503011440	SPRING WASHER		02
14	0503010060	1/2" NUT		02
15	0503011445	SPRING WASHER		04
16	0501046922	7.5" X 1-1/4" OIL BATH BEARING	30	02



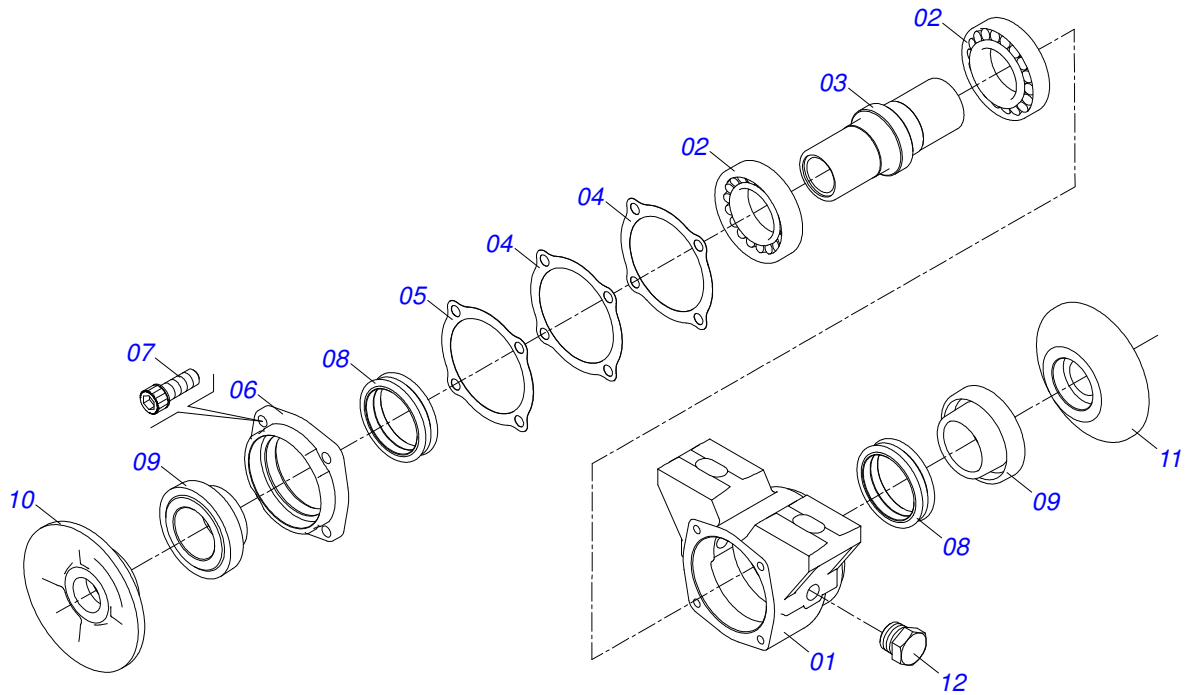
Item	Code	Description	See page	QT
01	0511065381	1729 BREAK ROLLER SUPPORT		01
02	0511069433	BREAK ROLLER BRACKET		01
03	0503010232	5/8" X 1.3/4" BOLT		04
04	0503010013	5/8" NUT		04
05	0511065384	1710 BREAK ROLLER		01
06	0531018575	ARRUELA CONCAVA 33,50X 140X 4,75		02
07	0501058802	5/8 UNC X 2.3/4 BOLT ASSY		04
07A	0503015154	5/8" X 2.3/4" BOLT		01
07B	0501010947	5/8 NUT LOCK		01
07C	0503010013	5/8" NUT		02
07D	0501012140	FLAT WASHER		01
08	0541011903	1.1/4" X 1755 AXLE		01
09	0502010835	1-1/4" EXTERNAL AXLE WASHER		02
10	0501010087	1.1/4" NUT		02
11	0501010455	1.1/4" NUT LOCK		02
12	0501010161	1/2" X 1.1/4" BOLT		02
13	0503011440	SPRING WASHER		02
14	0503010060	1/2" NUT		02
15	0503011445	SPRING WASHER		04
16	0501046922	7.5" X 1-1/4" OIL BATH BEARING	30	02



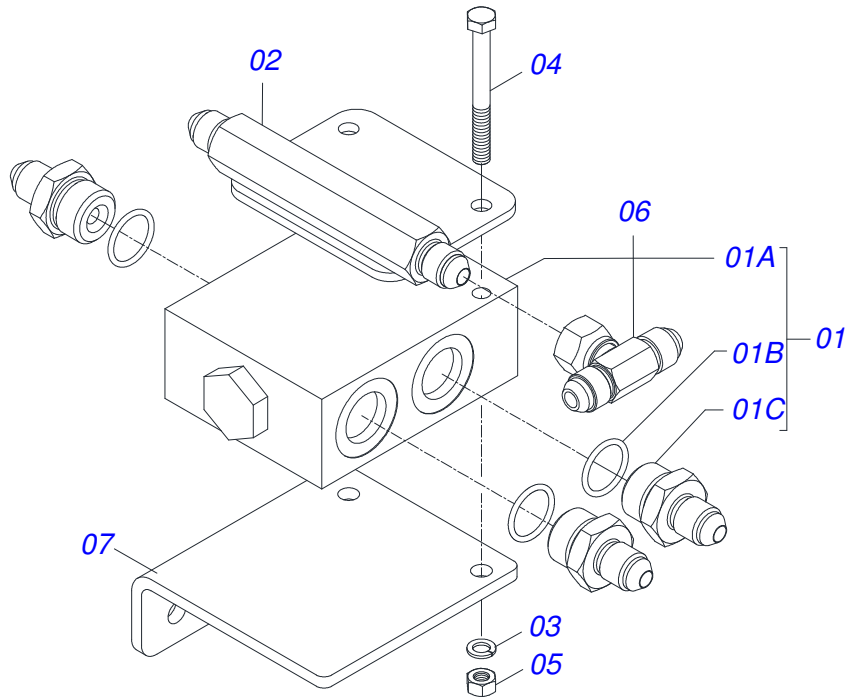
Item	Code	Description	See page	QT
001	0501046922	7.5" X 1-1/4" OIL BATH BEARING	30	02
002	0531018575	ARRUELA CONCAVA 33,50X 140X 4,75		02
003	1902010835	1-1/4" EXTERNAL AXLE WASHER		04
004	0501010752	1.1/4" X 500 AXLE		02
005	0501010087	1.1/4" NUT		04
006	0501010455	1.1/4" NUT LOCK		04
007	0503010060	1/2" NUT		04
008	0503010013	5/8" NUT		04
009	0503011445	SPRING WASHER		04
010	0501010161	1/2" X 1.1/4" BOLT		04
011	0503010232	5/8" X 1.3/4" BOLT		04
012	0501058802	5/8 UNC X 2.3/4 BOLT ASSY		04
012A	0503015154	5/8" X 2.3/4" BOLT		01
012B	0501010947	5/8 NUT LOCK		01
012C	0501012140	FLAT WASHER		01
012D	0503010013	5/8" NUT		02
013	0503011440	SPRING WASHER		04
014	0521065253	ROLLER FIXER		02
015	0503010013	5/8" NUT		08
016	0571017230	FIXER PLATE		02
017	0501013867	5/8" X 6" BOLT		08
018	0503010027	SPRING WASHER		08
019	0503010002	1800 GREASE FITTING		02
020	0521062673	BRACKET MOBILE FIXER ROLLER		01
021	0521065479	ARM ROLLE ASSY		01
022	0521065480	BREAK ROLLER SUPPORT		01



Item	Code	Description	See page	QT
01	0521066652	ARM ROLLER	01	
02	0521065532	ROD SPRING	01	
03	0501010059	1.5/8 NUT	04	
04	0571011377	SPRING GUIDES SLEVE	02	
05	0521063151	TRUNNION LOCK ARTICULATOR SPRING ROD	02	
06	0571011378	TRUNNION ARTICULATOR SPRING ROD	01	
07	0521062685	PIVOT AXLE	01	
08	0521065529	FIXATION SUPPORT	01	
09	0503014744	3/4 UNF X 7.1/2 C S G.7 ZN BOLT	02	
10	0503010023	SPRING WASHER	02	
11	0503010335	3/4"NUT	02	
12	0571011609	FIXER PLATE CUTTING DISC	01	
13	0521010578	COUPLING SHAFT	01	
14	0503010019	1/2" SPRING WASHER	02	
15	0503010523	1/4" X 2" COTTERPIN	01	
16	0521010808	1.4" X 5.8" COUPLING SHAFT	01	
17	0503012267	5/16" X 3" COTTER PIN	02	
18	0511019685	FLAT WASHER	02	
19	0503031575	2.5"X 12" X 0.5" COMPRESSION SPRING	01	
20	0503010002	1800 GREASE FITTING	01	
21	0503010920	1/2" X 1.1/2" BOLT	02	
22	0503010060	1/2" NUT	02	
23	0511015346	FLAT WASHER	01	



Item	Code	Description	See page	QT
01	0502010540	HOUSING DM		01
02	0503010111	30210 ROLLER BEARING		02
03	0502040218	AXLE		01
04	0503030013	4.4" X 3.5" X 0.004" JOINT		02
05	0503030684	4.4" X 3.5" X 0.004" JOINT		01
06	0502020424	HOUSING CAP DM		01
07	0503010134	3/8" X 1" BOLT		04
08	0503030026	SEAL LP JB-253		02
09	0502010541	SEAL RETAINER		02
10	0502010070	OUTER FLANGE		01
11	0502010071	INNER FLANGE		01
12	0503010856	OIL PLUG		01



Item	Code	Description	See page	QT
01	0511057381	FLOW DIVIDING VALVE ASSY		01
01A	0503016227	FLOW DIVIDING VALVE		01
01B	0503011109	2-119 N 3006-9B O'RING		03
01C	0521014704	HOSE NIPPLE 3/4 UNF		03
02	0521066121	OIL TUBE		01
03	0503010179	SPRING WASHER		02
04	0503011053	5/16" X 3" C S 6.5 ZN BOLT		02
05	0503010337	5/16" NUT		02
06	0503037376	T ADAPTER WITH NUT		01
07	0571019627	SUPPORT VALVE		01



# ANNOTATIONS

A large rectangular area with rounded corners, containing 25 horizontal lines for writing annotations. The lines are evenly spaced and extend across most of the width of the page.



email: [civemasa@civemasa.com.br](mailto:civemasa@civemasa.com.br)

[www.civemasa.com.br](http://www.civemasa.com.br)

Phone: +55 16.3382.8222

Fax: +55 16.3382.8355

## MARCHESAN IMPLEMENTOS E MÁQUINAS AGRÍCOLAS "TATU" S.A.

Av. Marchesan, 1979 - Post Office box, 131 - Cep 15994-900 - Matão - Sp - Brasil

CNPJ 52.311.289/0001-63 | Inst. Est.441.000.151.114

**Technical Publications: Elaboration**

JOÃO VIRGINIO ROCHA

*Contact Catálogo:*

*E-mail = [jgaspari@marchesan.com.br](mailto:jgaspari@marchesan.com.br)*

**Technical Publications: Revision**

JOSÉ DOMINGOS GASPARI

**ORIGINAIS PARTS  
CIVEMASA**

