

PARTS CATALOGUE

DISK HARROWS

DODHC F 9009T - 88/96/104D

Code: 0501091761



Series: S-0414

Review: SETEMBRO/2016

**ORIGINAL PARTS
CIVEMASA**

civemasa

PRODUCTS

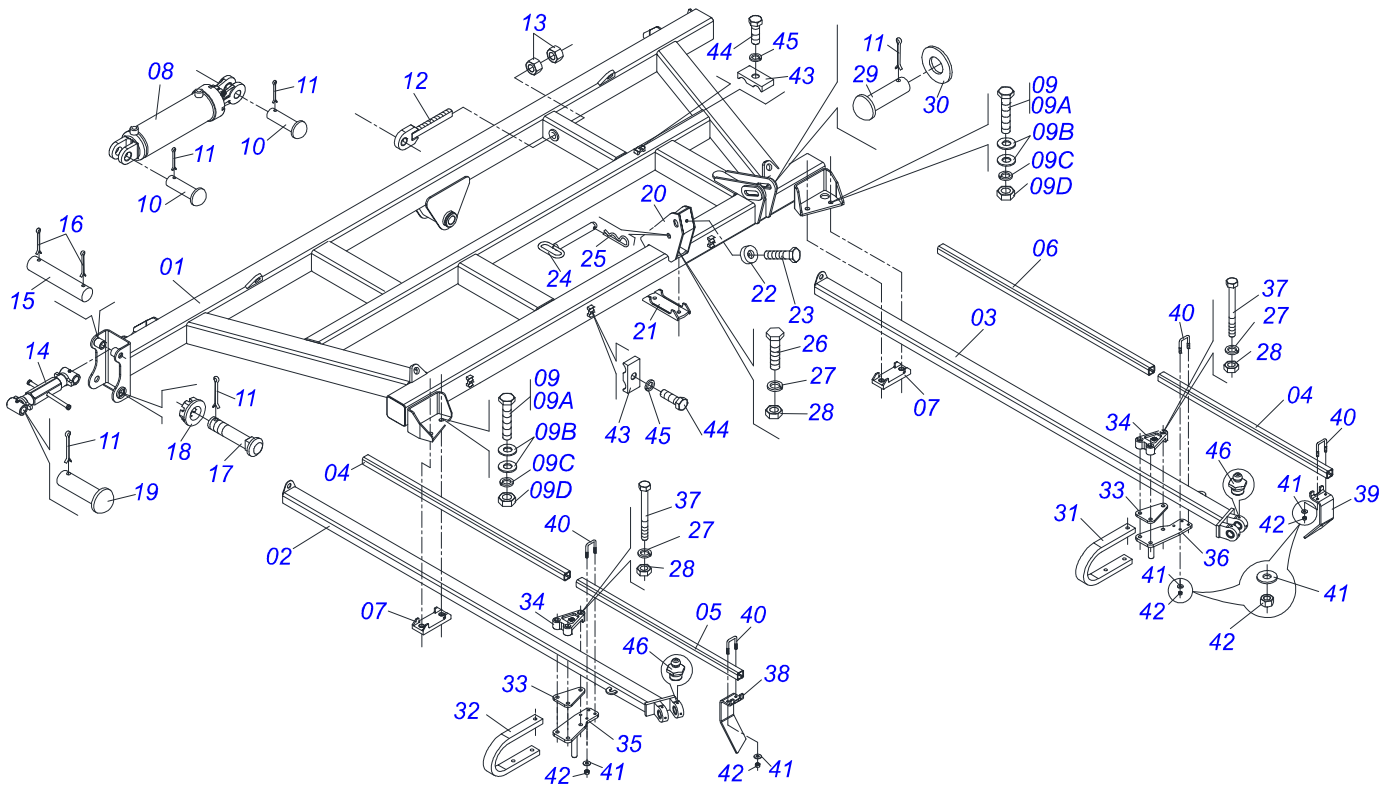
Code	Description
0121690005	DODHC F 9009 104X24X6 DM DL S-0414
0121690006	DODHC F 9009T 104X26X6 DM MT S-0414
0121690004	DODHC F 9009T 96X24X6 DM DL S-0414
0121690002	DODHC F9009T 88X24X6 DM DL S-0414
0121690001	DODHC F9009T 88X24X6S/PNDT DM S0414
0121690003	DODHC F9009T 96X24X6 S/PN DM S-0414

ATTENTION: **IMPORTANT**

CIVEMASA RESERVES THE RIGHT AT ANY TIME TO MAKE IMPROVEMENTS IN THE DESIGN, MATERIAL OR SPECIFICATIONS OF MACHINERY, EQUIPMENT OR PARTS WITHOUT THEREBY BECOMING LIABLE TO MAKE SIMILAR CHANGES IN MACHINERY, EQUIPMENT OR PARTS PREVIOUSLY SOLD.

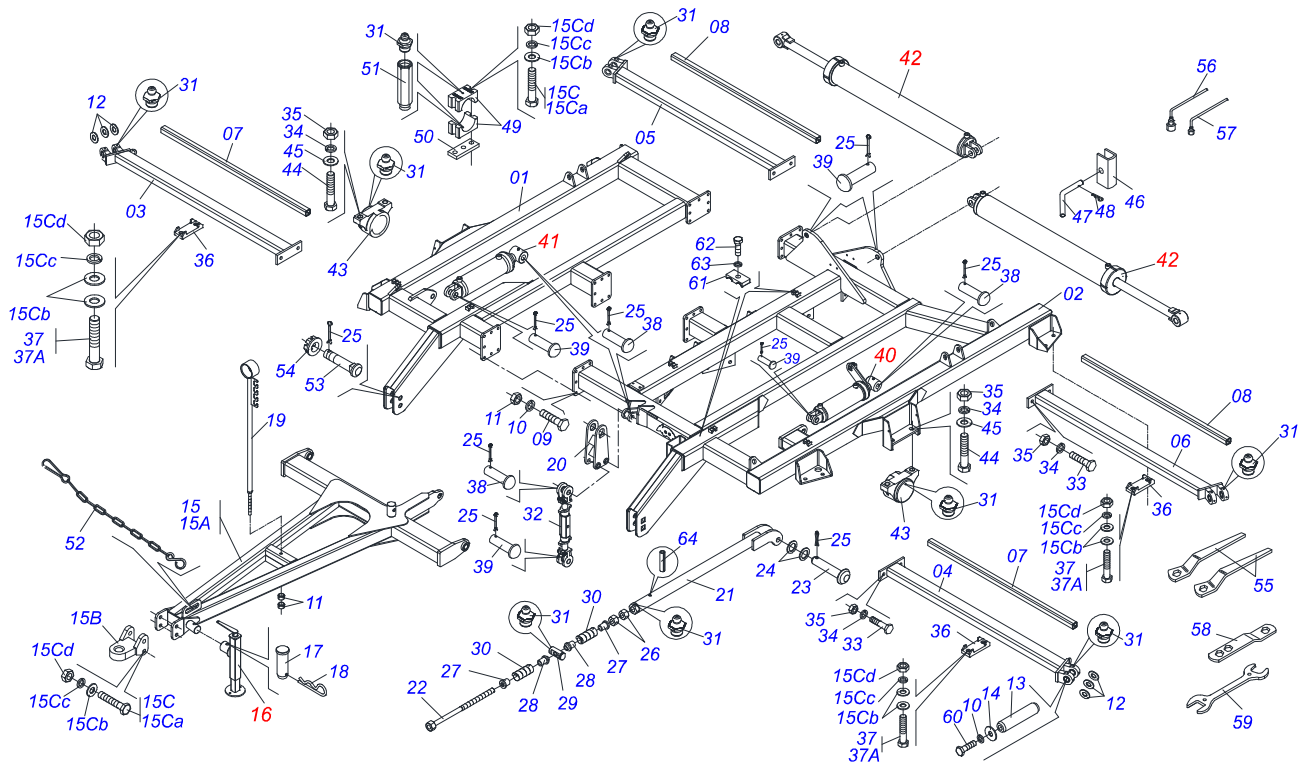
INDEX

0909092074	FRAME DODHC 9009T 88 DISCOS	1
0909092075	DODHC 9009T 96 DISC FRAME	2
0909092076	DODHC 9009T 104 DISC FRAME	3
0909092078	LAT. DIR. 88 DODHC-F9009T FRAME	4
0909092079	LAT. DIR. 96 DODHC-F9009T FRAME	5
0909092080	LAT. DIR. 104 DODHC-F9009T FRAME	6
0909092081	LAT. ESQ 88 DODHC-F9009T FRAME	7
0909092119	LAT. ESQ 96 DODC-F9009T FRAME	8
0909092120	CHASSI LAT. ESQ 104 DODC-F9009T	9
0909094507	CENTRAL RIGHT CARRYING WHEELS	10
0909094508	SIDE CARRYING WHEELS	11
0909094509	FRONT CARRYING WHEELS	12
0511048088	DRAWBAR JACK	13
0511043611	HYDRAULIC CYLINDER	14
0511047971	HYDRAULIC CYLINDER	15
0511047972	HYDRAULIC CYLINDER	16
0511045827	HYDRAULIC CYLINDER	17
0521045650	HYDRAULIC CYLINDER	18
0521045646	HYDRAULIC CYLINDER	19
0521045651	HYDRAULIC CYLINDER 53,98X101,6X563X251 BP DODH	20
0501057418	ESTABILIZER ASSY	21
0501047699	ESTABILIZER WITH BUSHING ASSY	22
0511045580	CARRYING WHEEL HUB ASSY	23
0501055263	CARRYING-WHEELS	24
0909094510	HYDRAULIC CIRCUIT	25
0909091838	HYDRAULIC CIRCUIT	26
0909094511	FRONT GANG DISC	27
0909094512	REAR GANG DISC	28
0511043261	SWIVEL OIL BEATH BEARING	29



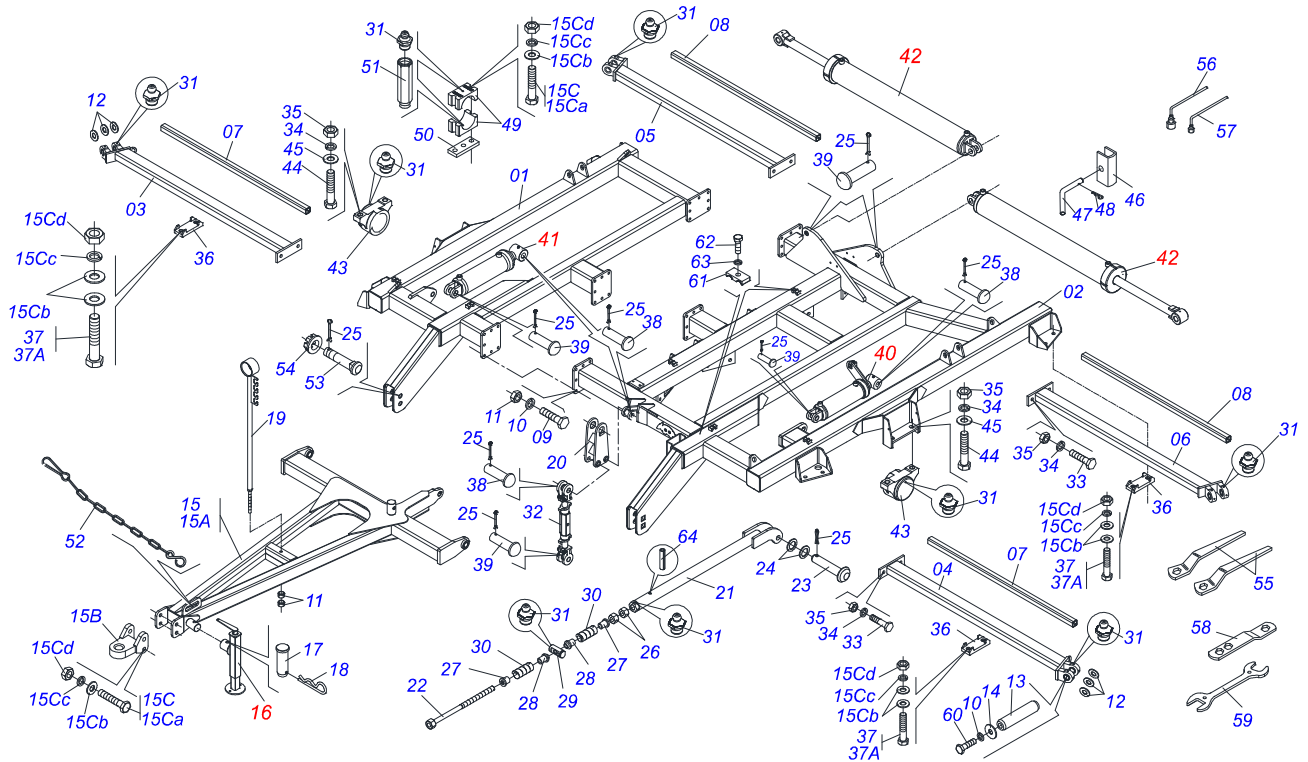
Item	Code	Description	QT
01	0511068428	CENTRAL FRAME	01
02	0521064720	CENTRAL FRAME	01
03	0511068461	REAR FRAME	01
04	0511068460	REAR FRAME	01
05	0511068463	REAR FRAME	01
06	0511068462	REAR FRAME	01
07	0551014696	TUBE	02
08	0551014700	TUBE	02
09	0501010125	3/4" X 2-1/2" BOLT	21
10	0503010023	SPRING WASHER	29
11	0503010014	3/4" NUT	23
12	0551014246	WASHER SPACER	12
13	0551013583	COUPLING SHAFT	04
14	0511016162	FLAT WASHER	08
15	0501057675	DRAWBAR	01
15A	0511068427	DRAWBAR	01
15B	0511068234	TRACTOR HITCH	01
15C	0511045704	1 UNC X 9 CS GTLD-F BOLT ASSY	06
15Ca	0501010064	1" X 9" BOLT	06
15Cb	0521013252	FLAT WASHER	22
15Cc	0503011438	SPRING WASHER	14
15Cd	0501010059	1.5/8 NUT	14
16	0511048088	DRAWBAR JACK	01
17	0561014251	COUPLING SHAFT	01
18	0503030012	HAIR PIN	01
19	0501040257	3/4 X 1200 HOSE HOLDER A	01
20	0501064760	ROCKER ARM	01
21	0511068241	ADJUSTMENT BAR	01
22	0501069398	CRANK	01
23	0521010544	1.2" X 4.9" COUPLING SHAFT	01
24	0501017779	FLAT WASHER	02
25	0503010523	1/4" X 2" COTTERPIN	12
26	0521011696	1.1/2" LEFT 38 NUT	02

Item	Code	Description	QT
27	0551012051	SLEEVE 39 X 47,20 X 80 X 55	02
28	0551012050	SLEEVE 39 X 47,20 X 80 X 95	02
29	0551012054	GUIDE	01
30	0503030541	3.4" X 8.0" X 0.8" SPRING	02
31	0503010002	1800 GREASE FITTING	16
32	0501057418	ESTABILIZER ASSY	01
33	0501010276	1" X 3" BOLT	08
34	0503010012	1" SPRING WASHER	12
35	0501010059	1.5/8 NUT	12
36	0502012323	BRACKET FIXER	04
37	0511045703	1 UNC X 6 CS GTLD-F BOLT ASSY	08
37A	0503013113	1" X 6" BOLT	08
38	0521010547	1.2" X 6.5" COUPLING SHAFT	04
39	0521010779	COUPLING SHAFT	05
40	0521045651	HYDRAULIC CYLINDER 53,98X101,6X563X251 BP	01
41	0521045650	HYDRAULIC CYLINDER	01
42	0511045827	HYDRAULIC CYLINDER	02
43	0501110566	WHEEL PIVOT BEARING	02
44	0503011432	1" X 4" BOLT	04
45	0541010210	FLAT WASHER	04
46	0551019515	LATCH SHIPPING	02
47	0541016844	FIXER LOCK	02
48	0503030285	HAIR PIN	02
49	0502010673	BEARING SEMI	04
50	0501015593	SUPPORT PLATE	02
51	0501019757	EXTENSION GREASE FITTING	04
52	0503013150	1300 X 3/8 CHAIN	01
53	0551013708	COUPLING SHAFT	02
54	0501011301	1.1/2 UNC 6FPP 2.5/16 NUT	02
55	0501011431	1-3/4" GANG BOLT WRENCH	02
56	0501061045	1" WRENCH CYLINDRICAL	01
57	0503016140	3/4" WRENCH CABLE CYLINDRICAL	01
58	0511018451	5/8" X 3/4" X 1" UNIVERSAL	01
59	0541015451	2.3/8" X 2.3/4" WRENCH	01
60	0501011544	3/4" X 1-1/2" BOLT	08
61	0502012702	BODY SUPPORT CLAMP	06
62	0503012555	7/16" X 2" BOLT	06
63	0503010180	7/16" SPRING WASHER	06
64	0503010292	0.2" X 1.6" SPRING PIN	01



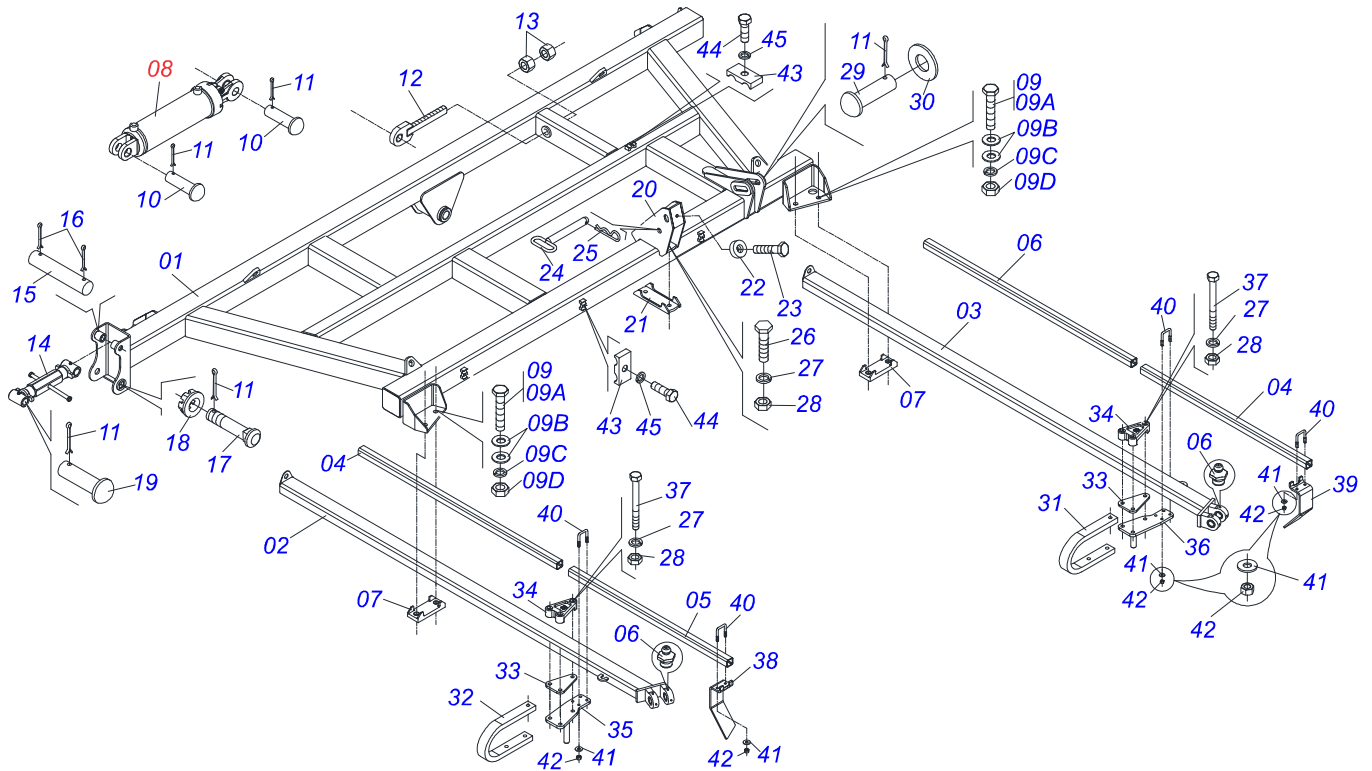
Item	Code	Description	QT
01	0511068428	CENTRAL FRAME	01
02	0521064720	CENTRAL FRAME	01
03	0511068429	RIGHT SIDE FRAME	01
04	0511068430	LEFT SIDE FRAME	01
05	0511068461	REAR FRAME	01
06	0511068460	REAR FRAME	01
07	0551014696	TUBE	02
08	0551014700	TUBE	02
09	0501010125	3/4" X 2-1/2" BOLT	21
10	0503010023	SPRING WASHER	29
11	0503010014	3/4" NUT	23
12	0551014246	WASHER SPACER	12
13	0551013583	COUPLING SHAFT	04
14	0511016162	FLAT WASHER	08
15	0501057675	DRAWBAR	01
15A	0511068427	DRAWBAR	01
15B	0511068234	TRACTOR HITCH	01
15C	0511045704	1 UNC X 9 CS GTLD-F BOLT ASSY	06
15Ca	0501010064	1" X 9" BOLT	06
15Cb	0521013252	FLAT WASHER	22
15Cc	0503011438	SPRING WASHER	14
15Cd	0501010059	1.5/8 NUT	14
16	0511048088	DRAWBAR JACK	01
17	0561014251	COUPLING SHAFT	01
18	0503030012	HAIR PIN	01
19	0501040257	3/4 X 1200 HOSE HOLDER A	01
20	0501064760	ROCKER ARM	01
21	0511068241	ADJUSTMENT BAR	01
22	0501069398	CRANK	01
23	0521010544	1.2" X 4.9" COUPLING SHAFT	01
24	0501017779	FLAT WASHER	02
25	0503010523	1/4" X 2" COTTERPIN	12
26	0521011696	1.1/2" LEFT 38 NUT	02

Item	Code	Description	QT
27	0551012051	SLEEVE 39 X 47,20 X 80 X 55	02
28	0551012050	SLEEVE 39 X 47,20 X 80 X 95	02
29	0551012054	GUIDE	01
30	0503030541	3.4" X 8.0" X 0.8" SPRING	02
31	0503010002	1800 GREASE FITTING	16
32	0501057418	ESTABILIZER ASSY	01
33	0501010276	1" X 3" BOLT	08
34	0503010012	1" SPRING WASHER	12
35	0501010059	1.5/8 NUT	12
36	0502012323	BRACKET FIXER	04
37	0511045703	1 UNC X 6 CS GTLD-F BOLT ASSY	08
37A	0503013113	1" X 6" BOLT	08
38	0521010547	1.2" X 6.5" COUPLING SHAFT	04
39	0521010779	COUPLING SHAFT	05
40	0521045651	HYDRAULIC CYLINDER 53,98X101,6X563X251 BP	01
41	0521045650	HYDRAULIC CYLINDER	01
42	0511045827	HYDRAULIC CYLINDER	02
43	0501110566	WHEEL PIVOT BEARING	02
44	0503011432	1" X 4" BOLT	04
45	0541010210	FLAT WASHER	04
46	0551019515	LATCH SHIPPING	02
47	0541016844	FIXER LOCK	02
48	0503030285	HAIR PIN	02
49	0502010673	BEARING SEMI	04
50	0501015593	SUPPORT PLATE	02
51	0501019757	EXTENSION GREASE FITTING	04
52	0503013150	1300 X 3/8 CHAIN	01
53	0551013708	COUPLING SHAFT	02
54	0501011301	1.1/2 UNC 6FPP 2.5/16 NUT	02
55	0501011431	1-3/4" GANG BOLT WRENCH	02
56	0501061045	1" WRENCH CYLINDRICAL	01
57	0503016140	3/4" WRENCH CABLE CYLINDRICAL	01
58	0511018451	5/8" X 3/4" X 1" UNIVERSAL	01
59	0541015451	2.3/8" X 2.3/4" WRENCH	01
60	0501011544	3/4" X 1-1/2" BOLT	08
61	0502012702	BODY SUPPORT CLAMP	06
62	0503012555	7/16" X 2" BOLT	06
63	0503010180	7/16" SPRING WASHER	06
64	0503010292	0.2" X 1.6" SPRING PIN	01



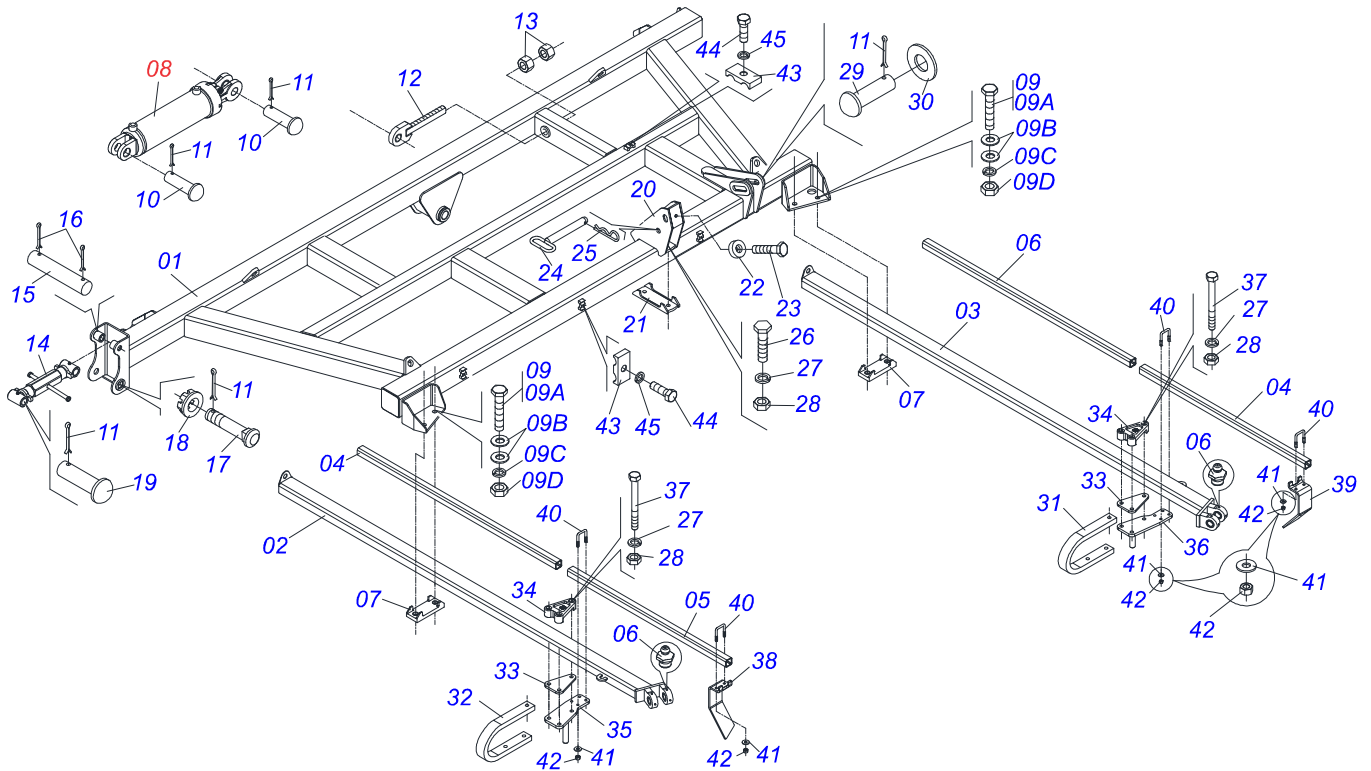
Item	Code	Description	QT
01	0511068428	CENTRAL FRAME	01
02	0521064720	CENTRAL FRAME	01
03	0511068461	REAR FRAME	01
04	0511068460	REAR FRAME	01
05	0511068463	REAR FRAME	01
06	0511068462	REAR FRAME	01
07	0551014696	TUBE	04
08	0551014700	TUBE	02
09	0501010125	3/4" X 2-1/2" BOLT	21
10	0503010023	SPRING WASHER	29
11	0503010014	3/4" NUT	23
12	0551014246	WASHER SPACER	12
13	0551013583	COUPLING SHAFT	04
14	0511016162	FLAT WASHER	08
15	0501057675	DRAWBAR	01
15A	0511068427	DRAWBAR	01
15B	0511068234	TRACTOR HITCH	01
15C	0511045704	1 UNC X 9 CS GTLD-F BOLT ASSY	06
15Ca	0501010064	1" X 9" BOLT	06
15Cb	0521013252	FLAT WASHER	22
15Cc	0503011438	SPRING WASHER	14
15Cd	0501010059	1.5/8 NUT	14
16	0511048088	DRAWBAR JACK	01
17	0561014251	COUPLING SHAFT	01
18	0503030012	HAIR PIN	01
19	0501040257	3/4 X 1200 HOSE HOLDER A	01
20	0501064760	ROCKER ARM	01
21	0511068241	ADJUSTMENT BAR	01
22	0501069398	CRANK	01
23	0521010544	1.2" X 4.9" COUPLING SHAFT	01
24	0501017779	FLAT WASHER	02
25	0503010523	1/4" X 2" COTTERPIN	12
26	0521011696	1.1/2" LEFT 38 NUT	02

Item	Code	Description	QT
27	0551012051	SLEEVE 39 X 47,20 X 80 X 55	02
28	0551012050	SLEEVE 39 X 47,20 X 80 X 95	02
29	0551012054	GUIDE	01
30	0503030541	3.4" X 8.0" X 0.8" SPRING	02
31	0503010002	1800 GREASE FITTING	16
32	0501057418	ESTABILIZER ASSY	01
33	0501010276	1" X 3" BOLT	08
34	0503010012	1" SPRING WASHER	12
35	0501010059	1.5/8 NUT	12
36	0502012323	BRACKET FIXER	04
37	0511045703	1 UNC X 6 CS GTLD-F BOLT ASSY	08
37A	0503013113	1" X 6" BOLT	08
38	0521010547	1.2" X 6.5" COUPLING SHAFT	04
39	0521010779	COUPLING SHAFT	05
40	0521045651	HYDRAULIC CYLINDER 53,98X101,6X563X251 BP	01
41	0521045650	HYDRAULIC CYLINDER	01
42	0511045827	HYDRAULIC CYLINDER	02
43	0501110566	WHEEL PIVOT BEARING	02
44	0503011432	1" X 4" BOLT	04
45	0541010210	FLAT WASHER	04
46	0551019515	LATCH SHIPPING	02
47	0541016844	FIXER LOCK	02
48	0503030285	HAIR PIN	02
49	0502010673	BEARING SEMI	04
50	0501015593	SUPPORT PLATE	02
51	0501019757	EXTENSION GREASE FITTING	04
52	0503013150	1300 X 3/8 CHAIN	01
53	0551013708	COUPLING SHAFT	02
54	0501011301	1.1/2 UNC 6FPP 2.5/16 NUT	02
55	0501011431	1-3/4" GANG BOLT WRENCH	02
56	0501061045	1" WRENCH CYLINDRICAL	01
57	0503016140	3/4" WRENCH CABLE CYLINDRICAL	01
58	0511018451	5/8" X 3/4" X 1" UNIVERSAL	01
59	0541015451	2.3/8" X 2.3/4" WRENCH	01
60	0501011544	3/4" X 1-1/2" BOLT	08
61	0502012702	BODY SUPPORT CLAMP	06
62	0503012555	7/16" X 2" BOLT	06
63	0503010180	7/16" SPRING WASHER	06
64	0503010292	0.2" X 1.6" SPRING PIN	01



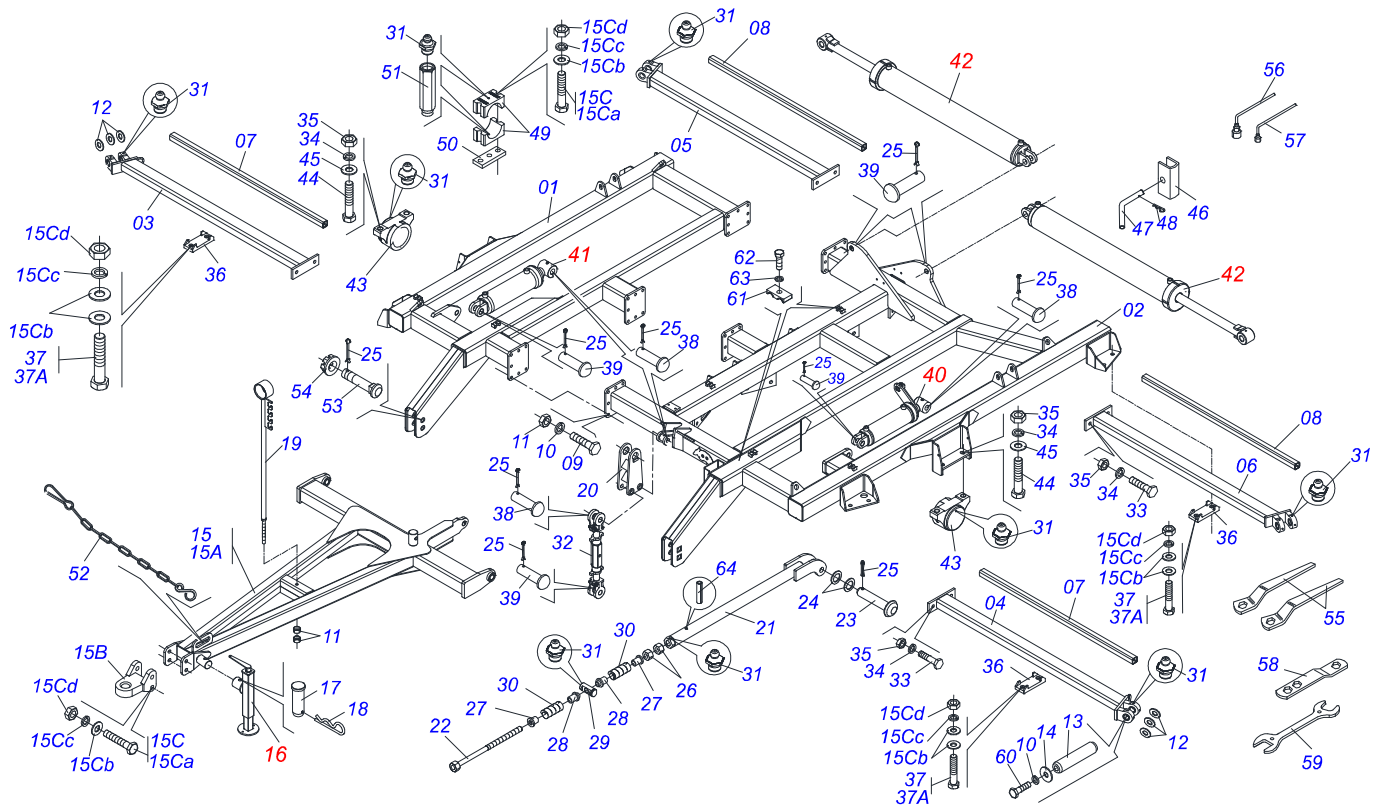
Item	Code	Description	QT
01	0511068429	RIGHT SIDE FRAME	01
02	0521063720	SIDE REAR FRAME	01
03	0521063718	REAR FRAME	01
04	0551014700	TUBE	04
05	0571012816	TUBE	04
06	0503010002	1800 GREASE FITTING	04
07	0502012323	BRACKET FIXER	04
08	0521045646	HYDRAULIC CYLINDER	01
09	0521044090	1" X 6" BOLT	08
09A	0503013113	1" X 6" BOLT	08
09B	0521013252	FLAT WASHER	16
09C	0503011438	SPRING WASHER	08
09D	0501010059	1.5/8 NUT	08
10	0521010779	COUPLING SHAFT	02
11	0503010523	1/4" X 2" COTTERPIN	05
12	0501063989	HYDRAULIC CYLINDER REGULATOR	01
13	0501010110	1.1/2" NUT	02
14	0501047699	ESTABILIZER WITH BUSHING ASSY	01
15	0521014216	COUPLING SHAFT	01
16	0503010010	1/4" X 2.1/2" COTTERPIN	02
17	0561018588	COUPLING SHAFT	01
18	0501011301	1.1/2 UNC 6FPP 2.5/16 NUT	01
19	0521014092	AXLE LOCK	01
20	0521060351	BEATER FRAME	01
21	0511068361	FIXER	01
22	0521011481	BEATER FRAME	01
23	0503010232	5/8" X 1.3/4" BOLT	01
24	0521060352	LOCK AXLE FRAME	01
25	0503030285	HAIR PIN	01
26	0511016281	3/4" X 8" BOLT	02
27	0503010023	SPRING WASHER	41
28	0503010014	3/4" NUT	41
29	0521010547	1.2" X 6.5" COUPLING SHAFT	01

Item	Code	Description	QT
30	0501012916	FLAT WASHER 38,50 X 66 X 4,75 ZN	01
31	0541019516	FRONT BRACKET	06
32	0551015817	FRONT BRACKET	07
33	0551015397	FLEXIBLE FIXER BRACKET	13
34	0502012345	SPINDLE FIXER	13
35	0521063077	FIXER BARSCRAPER	04
36	0521063078	FIXER BARSCRAPER	04
37	0501013475	3/4" X 7-1/2" BOLT	24
38	0551018171	SCRAPER FRONT RIGHT REAR LEFT	15
39	0551018172	SCRAPER FRONT LEFT REAR RIGHT	12
40	0511018746	1/2" UNC X 2,9" X 2,5" HOLDER	42
41	0511017302	FLAT WASHER	84
42	0503010060	1/2" NUT	84
43	0502012702	BODY SUPPORT CLAMP	04
44	0503012555	7/16" X 2" BOLT	04
45	0503010180	7/16" SPRING WASHER	04



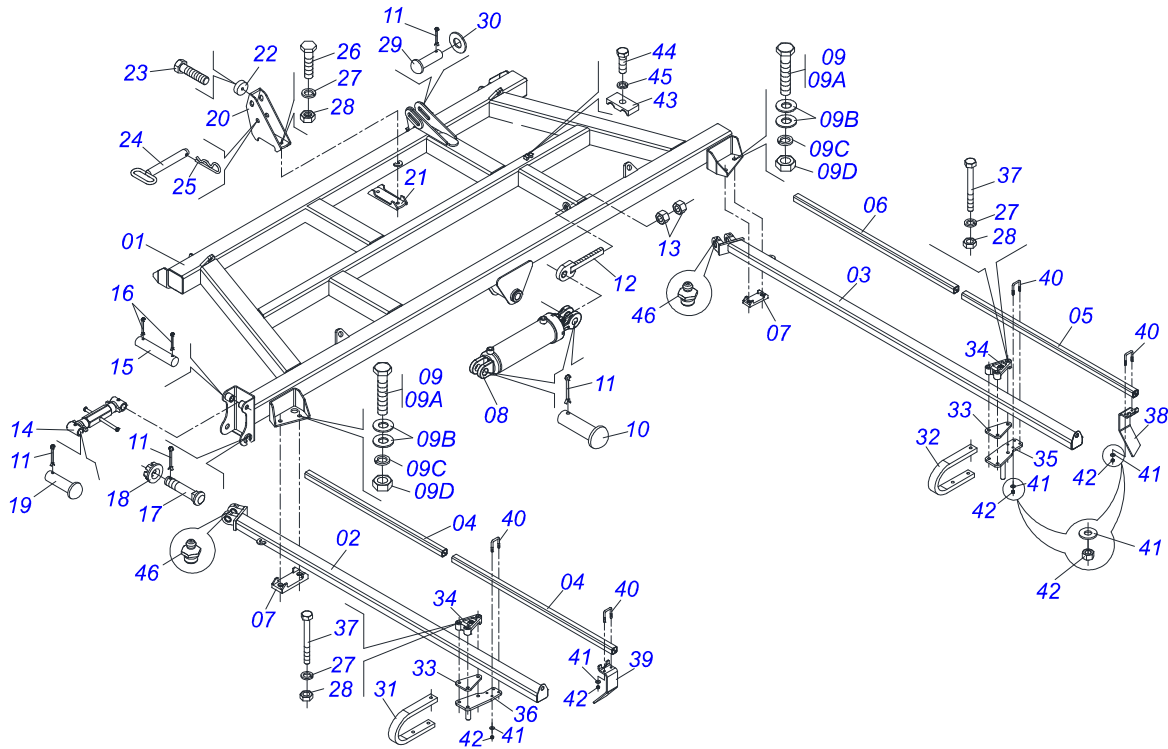
Item	Code	Description	QT
01	0511068429	RIGHT SIDE FRAME	01
02	0511068465	SIDE REAR FRAME	01
03	0511068466	REAR FRAME	01
04	0551014700	TUBE	02
05	0551014699	TUBE	02
06	0503010002	1800 GREASE FITTING	04
07	0502012323	BRACKET FIXER	04
08	0521045646	HYDRAULIC CYLINDER	01
09	0521044090	1" X 6" BOLT	08
09A	0503013113	1" X 6" BOLT	08
09B	0521013252	FLAT WASHER	16
09C	0503011438	SPRING WASHER	08
09D	0501010059	1.5/8 NUT	08
10	0521010779	COUPLING SHAFT	02
11	0503010523	1/4" X 2" COTTERPIN	05
12	0501063989	HYDRAULIC CYLINDER REGULATOR	01
13	0501010110	1.1/2" NUT	02
14	0501047699	ESTABILIZER WITH BUSHING ASSY	01
15	0521014216	COUPLING SHAFT	01
16	0503010010	1/4" X 2.1/2" COTTERPIN	02
17	0561018588	COUPLING SHAFT	01
18	0501011301	1.1/2 UNC 6FPP 2.5/16 NUT	01
19	0521014092	AXLE LOCK	01
20	0521060351	BEATER FRAME	01
21	0511068361	FIXER	01
22	0521011481	BEATER FRAME	01
23	0503010232	5/8" X 1.3/4" BOLT	01
24	0521060352	LOCK AXLE FRAME	01
25	0503030285	HAIR PIN	01
26	0511016281	3/4" X 8" BOLT	02
27	0503010023	SPRING WASHER	41
28	0503010014	3/4" NUT	41
29	0521010547	1.2" X 6.5" COUPLING SHAFT	01

Item	Code	Description	QT
30	0501012916	FLAT WASHER 38,50 X 66 X 4,75 ZN	01
31	0541019516	FRONT BRACKET	06
32	0551015817	FRONT BRACKET	07
33	0551015397	FLEXIBLE FIXER BRACKET	13
34	0502012345	SPINDLE FIXER	13
35	0521063077	FIXER BARSCRAPER	06
36	0521063078	FIXER BARSCRAPER	07
37	0501013475	3/4" X 7-1/2" BOLT	39
38	0551018171	SCRAPER FRONT RIGHT REAR LEFT	26
39	0551018172	SCRAPER FRONT LEFT REAR RIGHT	27
40	0511018746	1/2" UNC X 2,9" X 2,5" HOLDER	75
41	0511017302	FLAT WASHER	150
42	0503010060	1/2" NUT	150
43	0502012702	BODY SUPPORT CLAMP	04
44	0503012555	7/16" X 2" BOLT	04
45	0503010180	7/16" SPRING WASHER	04



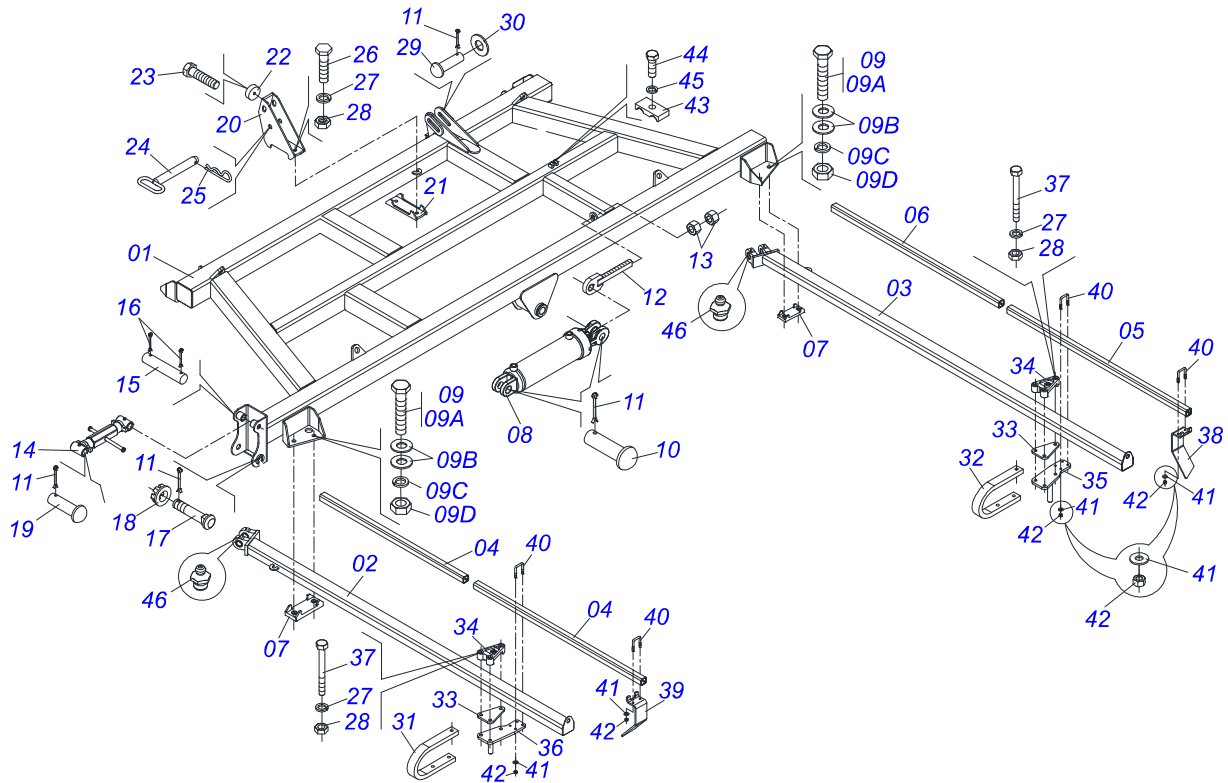
Item	Code	Description	QT
01	0511068429	RIGHT SIDE FRAME	01
02	0521062355	SIDE REAR FRAME	01
03	0521062357	REAR FRAME	01
04	0551014699	TUBE	02
05	0551014700	TUBE	01
06	0551014699	TUBE	01
07	0502012323	BRACKET FIXER	04
08	0521045646	HYDRAULIC CYLINDER	01
09	0521044090	1" X 6" BOLT	08
09A	0503013113	1" X 6" BOLT	08
09B	0521013252	FLAT WASHER	16
09C	0503011438	SPRING WASHER	08
09D	0501010059	1.5/8 NUT	08
10	0521010779	COUPLING SHAFT	02
11	0503010523	1/4" X 2" COTTERPIN	05
12	0501063989	HYDRAULIC CYLINDER REGULATOR	01
13	0501010110	1.1/2" NUT	02
14	0501047699	ESTABILIZER WITH BUSHING ASSY	01
15	0521014216	COUPLING SHAFT	01
16	0503010010	1/4" X 2.1/2" COTTERPIN	02
17	0561018588	COUPLING SHAFT	01
18	0501011301	1.1/2 UNC 6FPP 2.5/16 NUT	01
19	0521014092	AXLE LOCK	01
20	0521060351	BEATER FRAME	01
21	0511068361	FIXER	01
22	0521011481	BEATER FRAME	01
23	0503010232	5/8" X 1.3/4" BOLT	01
24	0521060352	LOCK AXLE FRAME	01
25	0503030285	HAIR PIN	01
26	0511016281	3/4" X 8" BOLT	02
27	0503010023	SPRING WASHER	41
28	0503010014	3/4" NUT	41
29	0521010547	1.2" X 6.5" COUPLING SHAFT	01

Item	Code	Description	QT
30	0501012916	FLAT WASHER 38,50 X 66 X 4,75 ZN	01
31	0541019516	FRONT BRACKET	07
32	0551015817	FRONT BRACKET	06
33	0551015397	FLEXIBLE FIXER BRACKET	13
34	0502012345	SPINDLE FIXER	13
35	0521063077	FIXER BARSCRAPER	06
36	0521063078	FIXER BARSCRAPER	07
37	0501013475	3/4" X 7-1/2" BOLT	39
38	0551018171	SCRAPER FRONT RIGHT REAR LEFT	26
39	0551018172	SCRAPER FRONT LEFT REAR RIGHT	27
40	0511018746	1/2" UNC X 2,9" X 2,5" HOLDER	79
41	0511017302	FLAT WASHER	158
42	0503010060	1/2" NUT	158
43	0502012702	BODY SUPPORT CLAMP	04
44	0503012555	7/16" X 2" BOLT	04
45	0503010180	7/16" SPRING WASHER	04
46	0503010002	1800 GREASE FITTING	04



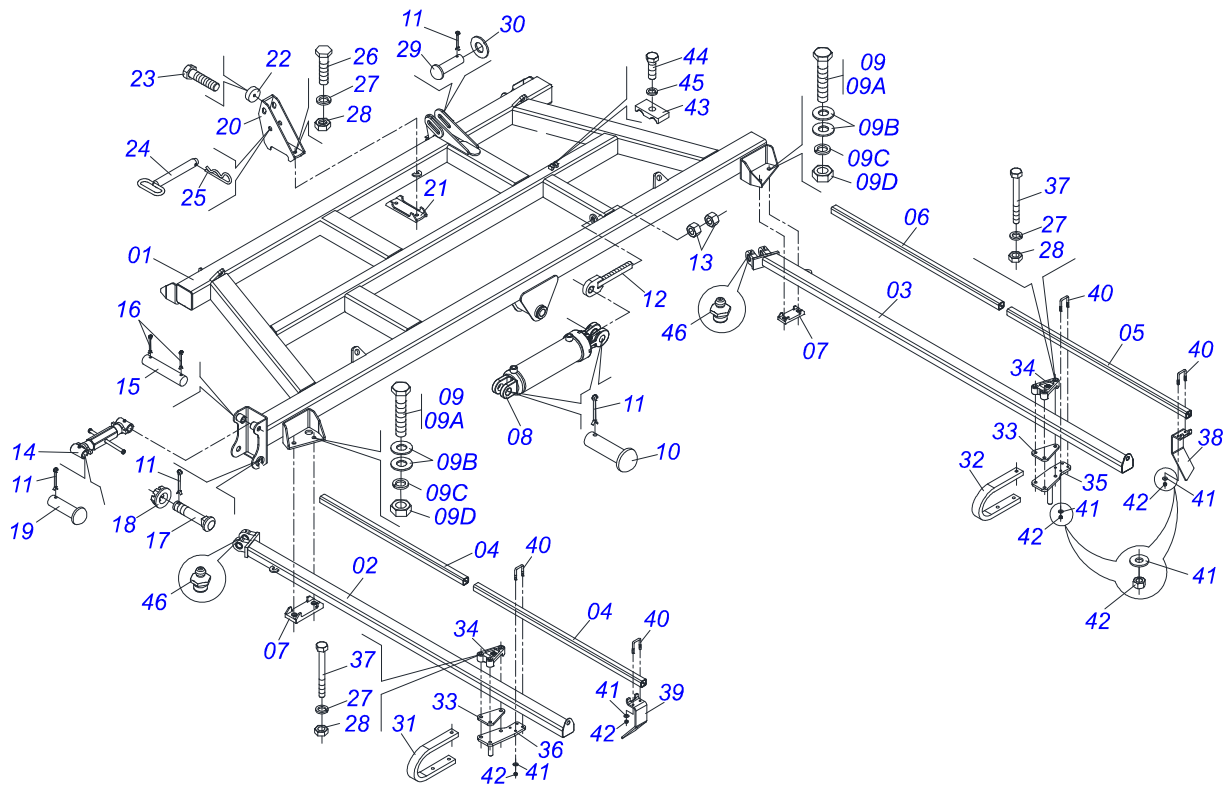
Item	Code	Description	QT
01	0511068430	LEFT SIDE FRAME	01
02	0521063719	SIDE REAR FRAME	01
03	0521063717	REAR FRAME	01
04	0571012816	TUBE	02
05	0551014700	TUBE	01
06	0551014697	TUBE	01
07	0502012323	BRACKET FIXER	04
08	0521045646	HYDRAULIC CYLINDER	01
09	0521044090	1" X 6" BOLT	08
09A	0503013113	1" X 6" BOLT	01
09B	0501016545	FLAT WASHER	01
09C	0503010012	1" SPRING WASHER	01
09D	0501010059	1.5/8 NUT	01
10	0521010779	COUPLING SHAFT	02
11	0503010523	1/4" X 2" COTTERPIN	05
12	0501063989	HYDRAULIC CYLINDER REGULATOR	01
13	0501010110	1.1/2" NUT	02
14	0501047699	ESTABILIZER WITH BUSHING ASSY	01
15	0521014216	COUPLING SHAFT	01
16	0503010010	1/4" X 2.1/2" COTTERPIN	02
17	0561018588	COUPLING SHAFT	01
18	0501011301	1.1/2 UNC 6FPP 2.5/16 NUT	01
19	0521014092	AXLE LOCK	01
20	0521060351	BEATER FRAME	01
21	0511068361	FIXER	01
22	0521011481	BEATER FRAME	01
23	0503010232	5/8" X 1.3/4" BOLT	01
24	0521060352	LOCK AXLE FRAME	01
25	0503030285	HAIR PIN	01
26	0511016281	3/4" X 8" BOLT	02
27	0503010023	SPRING WASHER	41
28	0503010014	3/4" NUT	41
29	0521010547	1.2" X 6.5" COUPLING SHAFT	01

Item	Code	Description	QT
30	0501012916	FLAT WASHER 38,50 X 66 X 4,75 ZN	01
31	0541019516	FRONT BRACKET	06
32	0551015817	FRONT BRACKET	07
33	0551015397	FLEXIBLE FIXER BRACKET	13
34	0502012345	SPINDLE FIXER	13
35	0521063077	FIXER BARSCRAPER	04
36	0521063078	FIXER BARSCRAPER	04
37	0501013475	3/4" X 7-1/2" BOLT	24
38	0551018171	SCRAPER FRONT RIGHT REAR LEFT	15
39	0551018172	SCRAPER FRONT LEFT REAR RIGHT	12
40	0511018746	1/2" UNC X 2,9" X 2,5" HOLDER	42
41	0511017302	FLAT WASHER	84
42	0503010060	1/2" NUT	84
43	0502012702	BODY SUPPORT CLAMP	04
44	0503012555	7/16" X 2" BOLT	04
45	0503010180	7/16" SPRING WASHER	04
46	0503010002	1800 GREASE FITTING	04 04



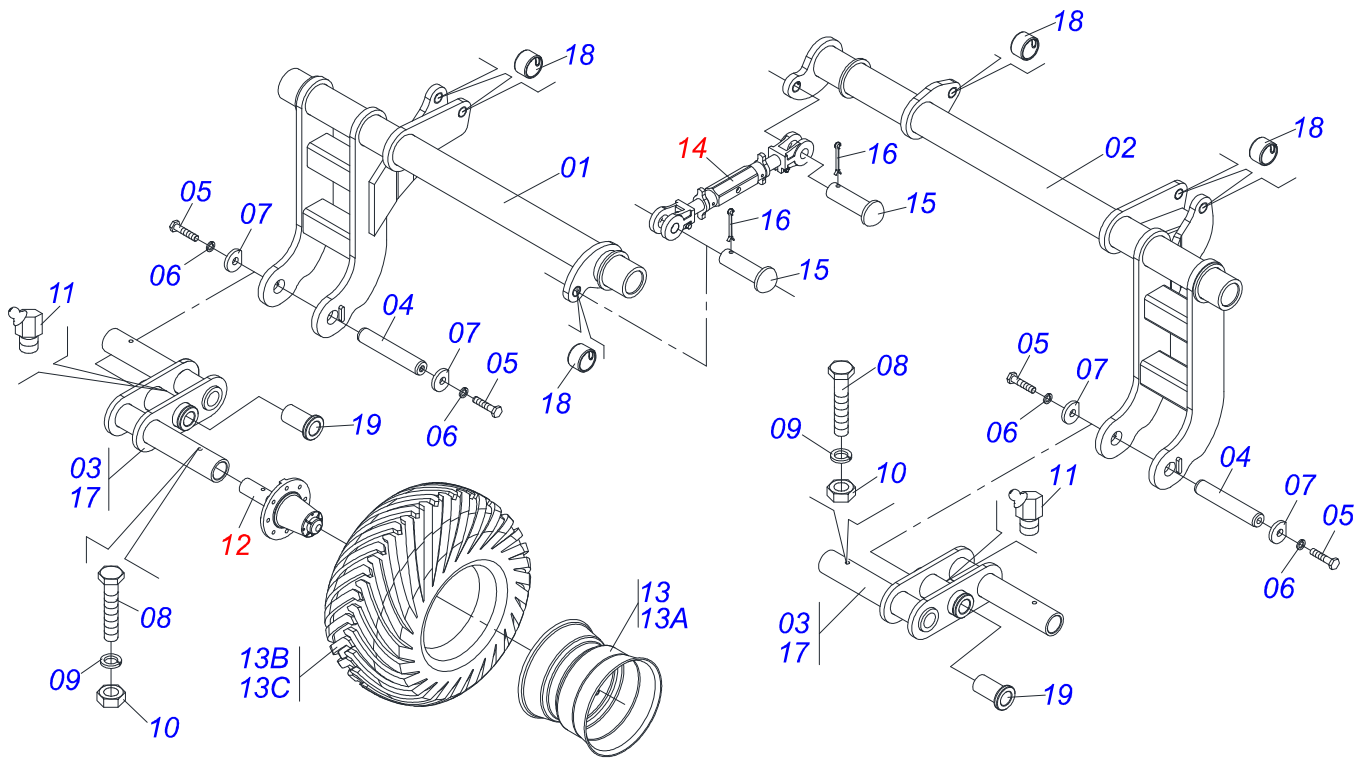
Item	Code	Description	QT
01	0511068430	LEFT SIDE FRAME	01
02	0511068464	SIDE REAR FRAME	00
03	0511068467	REAR FRAME	00
04	0551014699	TUBE	01
05	0551014697	TUBE	01
06	0551014700	TUBE	02
07	0502012323	BRACKET FIXER	04
08	0511043611	HYDRAULIC CYLINDER	01
09	0521044090	1" X 6" BOLT	08
09A	0503013113	1" X 6" BOLT	01
09B	0501016545	FLAT WASHER	01
09C	0503010012	1" SPRING WASHER	01
09D	0501010059	1.5/8 NUT	01
10	0521010779	COUPLING SHAFT	02
11	0503010523	1/4" X 2" COTTERPIN	05
12	0501063989	HYDRAULIC CYLINDER REGULATOR	01
13	0501010110	1.1/2" NUT	02
14	0501047699	ESTABILIZER WITH BUSHING ASSY	01
15	0521014216	COUPLING SHAFT	01
16	0503010010	1/4" X 2.1/2" COTTERPIN	02
17	0561018588	COUPLING SHAFT	01
18	0501011301	1.1/2 UNC 6FPP 2.5/16 NUT	01
19	0521014092	AXLE LOCK	01
20	0521060351	BEATER FRAME	01
21	0511068361	FIXER	01
22	0521011481	BEATER FRAME	01
23	0503010232	5/8" X 1.3/4" BOLT	01
24	0521060352	LOCK AXLE FRAME	01
25	0503030285	HAIR PIN	01
26	0511016281	3/4" X 8" BOLT	02
27	0503010023	SPRING WASHER	41
28	0503010014	3/4" NUT	41
29	0521010547	1.2" X 6.5" COUPLING SHAFT	01

Item	Code	Description	QT
30	0501012916	FLAT WASHER 38,50 X 66 X 4,75 ZN	01
31	0541019516	FRONT BRACKET	06
32	0551015817	FRONT BRACKET	07
33	0551015397	FLEXIBLE FIXER BRACKET	13
34	0502012345	SPINDLE FIXER	13
35	0521063077	FIXER BARSCRAPER	06
36	0521063078	FIXER BARSCRAPER	07
37	0501013475	3/4" X 7-1/2" BOLT	39
38	0551018171	SCRAPER FRONT RIGHT REAR LEFT	24
39	0551018172	SCRAPER FRONT LEFT REAR RIGHT	25
40	0511018746	1/2" UNC X 2,9" X 2,5" HOLDER	75
41	0511017302	FLAT WASHER	150
42	0503010060	1/2" NUT	150
43	0502012702	BODY SUPPORT CLAMP	04
44	0503012555	7/16" X 2" BOLT	04
45	0503010180	7/16" SPRING WASHER	04
46	0503010002	1800 GREASE FITTING	04

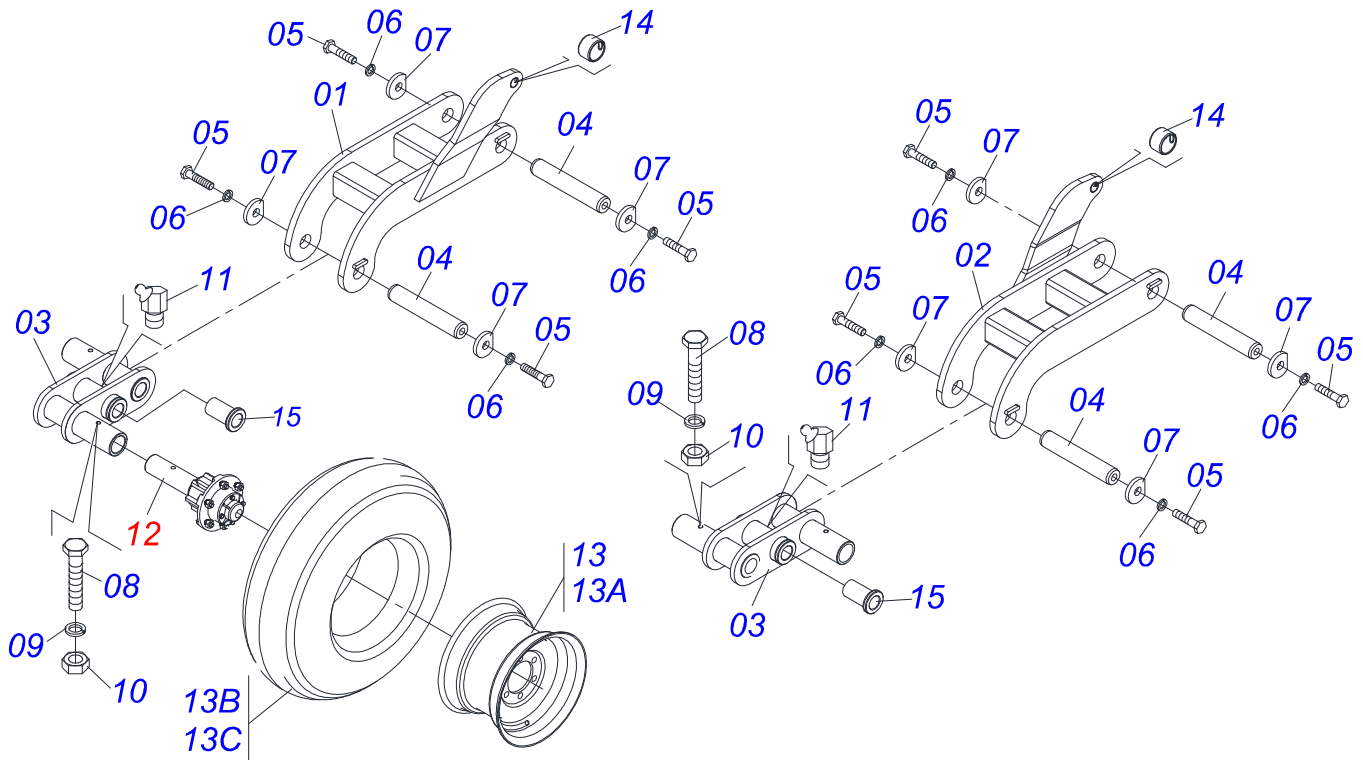


Item	Code	Description	QT
01	0511068430	LEFT SIDE FRAME	01
02	0521062356	SIDE REAR FRAME	01
03	0521062358	REAR FRAME	01
04	0551014699	TUBE	02
05	0551014697	TUBE	01
06	0551014696	TUBE	01
07	0502012323	BRACKET FIXER	04
08	0511043611	HYDRAULIC CYLINDER	01
09	0521044090	1" X 6" BOLT	08
09A	0503013113	1" X 6" BOLT	01
09B	0501016545	FLAT WASHER	01
09C	0503010012	1" SPRING WASHER	01
09D	0501010059	1.5/8 NUT	01
10	0521010779	COUPLING SHAFT	02
11	0503010523	1/4" X 2" COTTERPIN	05
12	0501063989	HYDRAULIC CYLINDER REGULATOR	01
13	0501010110	1.1/2" NUT	02
14	0501047699	ESTABILIZER WITH BUSHING ASSY	01
15	0521014216	COUPLING SHAFT	01
16	0503010010	1/4" X 2.1/2" COTTERPIN	02
17	0561018588	COUPLING SHAFT	01
18	0501011301	1.1/2 UNC 6FPP 2.5/16 NUT	01
19	0521014092	AXLE LOCK	01
20	0521060351	BEATER FRAME	01
21	0511068361	FIXER	01
22	0521011481	BEATER FRAME	01
23	0503010232	5/8" X 1.3/4" BOLT	01
24	0521060352	LOCK AXLE FRAME	01
25	0503030285	HAIR PIN	01
26	0511016281	3/4" X 8" BOLT	02
27	0503010023	SPRING WASHER	41
28	0503010014	3/4" NUT	41
29	0521010547	1.2" X 6.5" COUPLING SHAFT	01

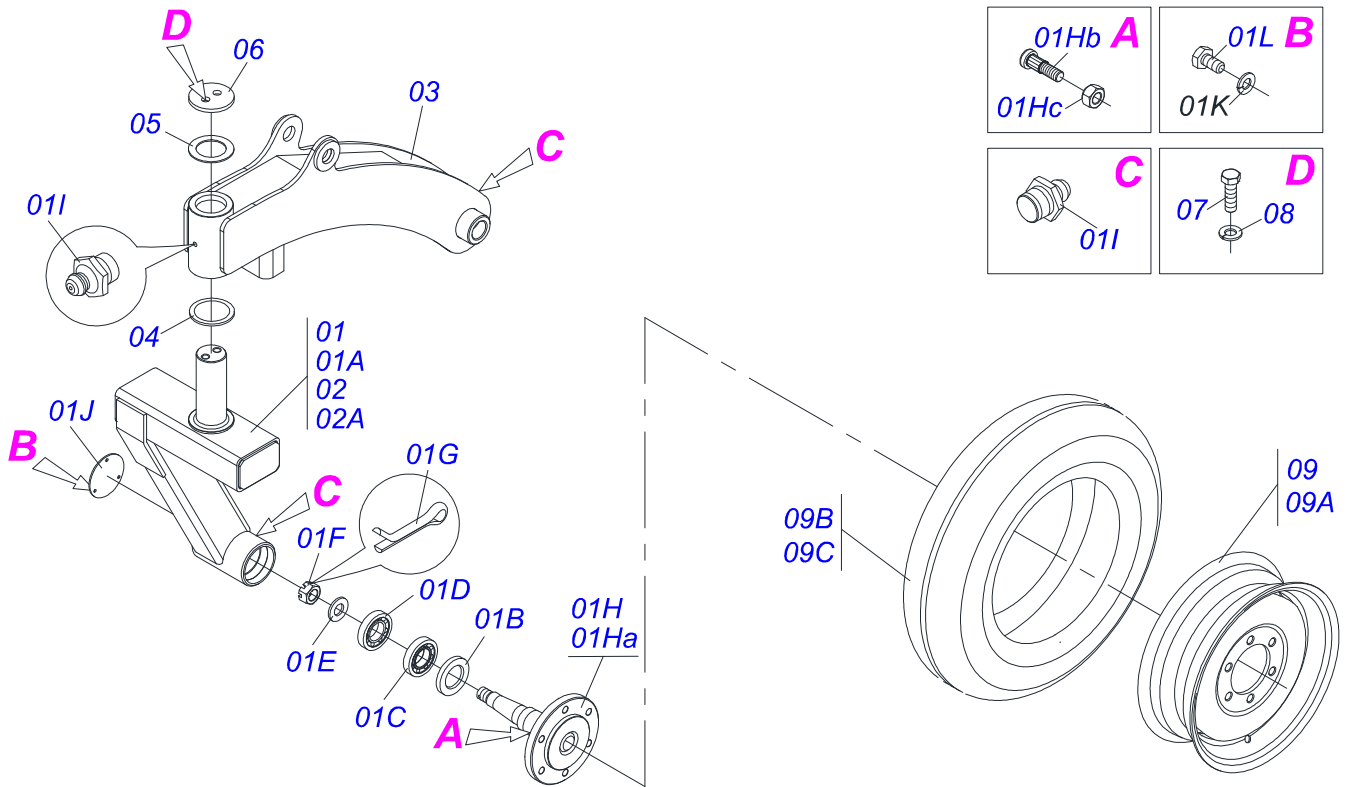
Item	Code	Description	QT
30	0501012916	FLAT WASHER 38,50 X 66 X 4,75 ZN	01
31	0541019516	FRONT BRACKET	07
32	0551015817	FRONT BRACKET	06
33	0551015397	FLEXIBLE FIXER BRACKET	13
34	0502012345	SPINDLE FIXER	13
35	0521063077	FIXER BARSCRAPER	06
36	0521063078	FIXER BARSCRAPER	07
37	0501013475	3/4" X 7-1/2" BOLT	39
38	0551018171	SCRAPER FRONT RIGHT REAR LEFT	26
39	0551018172	SCRAPER FRONT LEFT REAR RIGHT	27
40	0511018746	1/2" UNC X 2,9" X 2,5" HOLDER	79
41	0511017302	FLAT WASHER	158
42	0503010060	1/2" NUT	158
43	0502012702	BODY SUPPORT CLAMP	04
44	0503012555	7/16" X 2" BOLT	04
45	0503010180	7/16" SPRING WASHER	04
46	0503010002	1800 GREASE FITTING	04



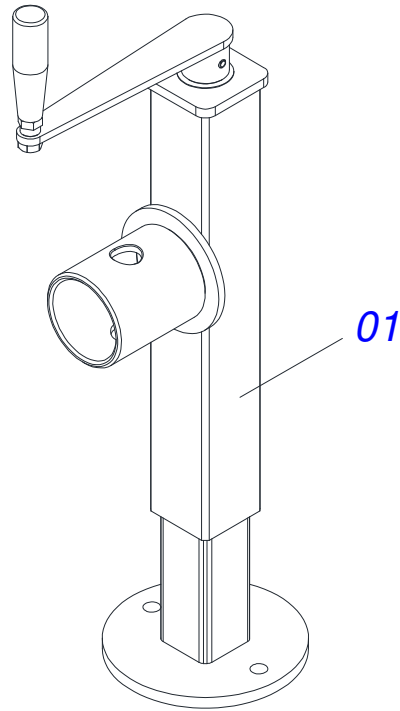
Item	Code	Description	QT
00	0511051798	CENTRAL CARRYING-WHEELS	01
00A	0511051799	CENTRAL CARRYING-WHEELS	00
01	0511069793	CENTRAL CARRYING-WHEELS	01
02	0511069794	CENTRAL CARRYING-WHEELS	00
03	0521062878	FRAME CENTRAL ROCKER	01
04	0551019516	COUPLING SHAFT	01
05	0503011250	1" X 2" BOLT	02
06	0503010012	1" SPRING WASHER	02
07	0551019512	LOCK WASHER	02
08	0503010706	1/2" X 4.1/2" BOLT	02
09	0503010019	1/2" SPRING WASHER	02
10	0503010060	1/2" NUT	02
11	0503010003	1845 GREASE FITTING	01
12	0501055263	CARRYING-WHEELS	02
13	0503060102	WHEEL AND TIRE	02
13A	0501069483	WHEEL	02
13B	0503012112	400/60 - 15.5 TR 15 INNER TIRE	02
13C	0503013119	CANVAS TIRE	02
14	0501057418	ESTABILIZER ASSY	01
15	0521010779	COUPLING SHAFT	01
16	0503010523	1/4" X 2" COTTERPIN	01
17	0511069790	ROCKER	01
18	0541012002	SLEEVE 51 X 60 X 88 X 100	04
19	0511019920	LUVA 32,7 X 38,8 X 25,40	07



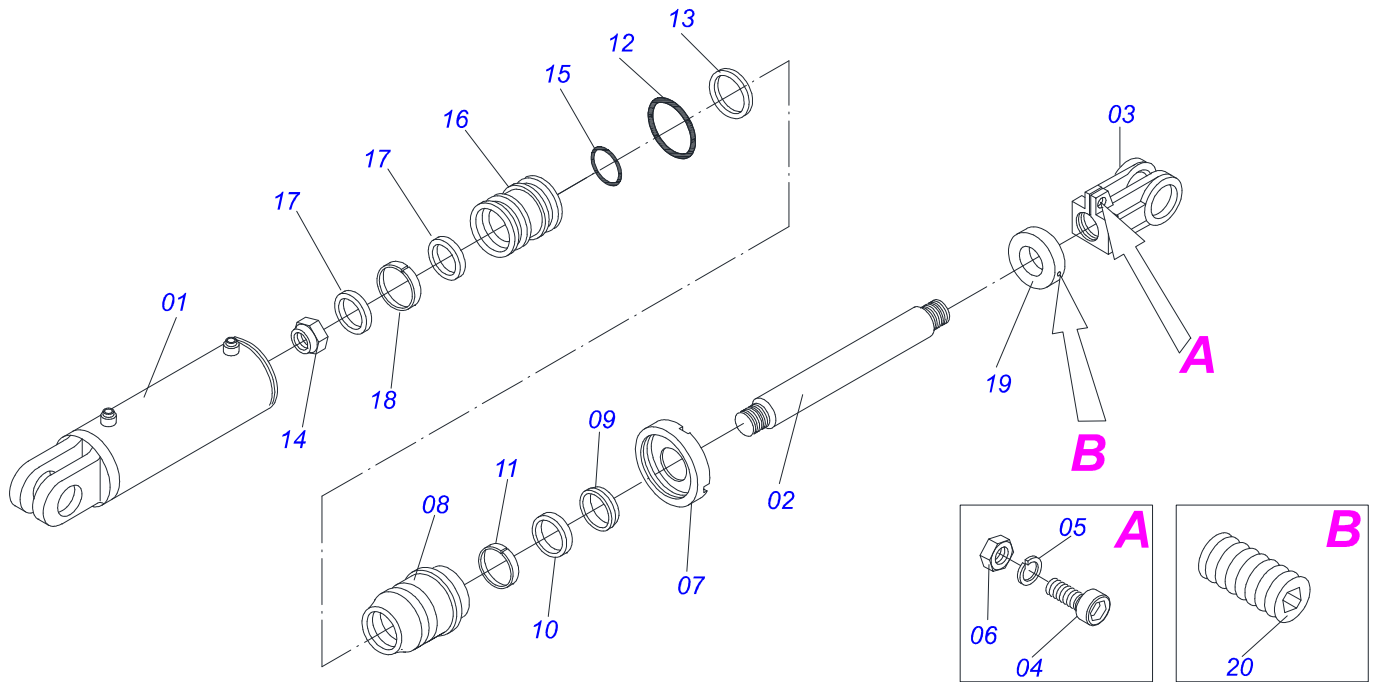
Item	Code	Description	QT
00	0501057673	RIGHT LATERAL CARRYING-WHEELS	01
00A	0501057674	LEFT LATERAL CARRYING-WHEELS	00
01	0511069795	RIGHT SIDE CARRYING-WHEELS	01
02	0511069796	LEFT SIDE CARRYING-WHEELS	00
03	0511069790	ROCKER	01
04	0551019516	COUPLING SHAFT	02
05	0503011250	1" X 2" BOLT	04
06	0503010012	1" SPRING WASHER	04
07	0551019512	LOCK WASHER	04
08	0503010706	1/2" X 4.1/2" BOLT	02
09	0503010019	1/2" SPRING WASHER	02
10	0503010060	1/2" NUT	02
11	0503010003	1845 GREASE FITTING	01
12	0511045580	CARRYING WHEEL HUB ASSY	02
13	0503060181	WHEEL AND TIRE	02
13A	0503011468	WEEL	02
13B	0503010858	CANVAS TIRE	02
13C	0503010860	CAMARA AR 11L 15	02



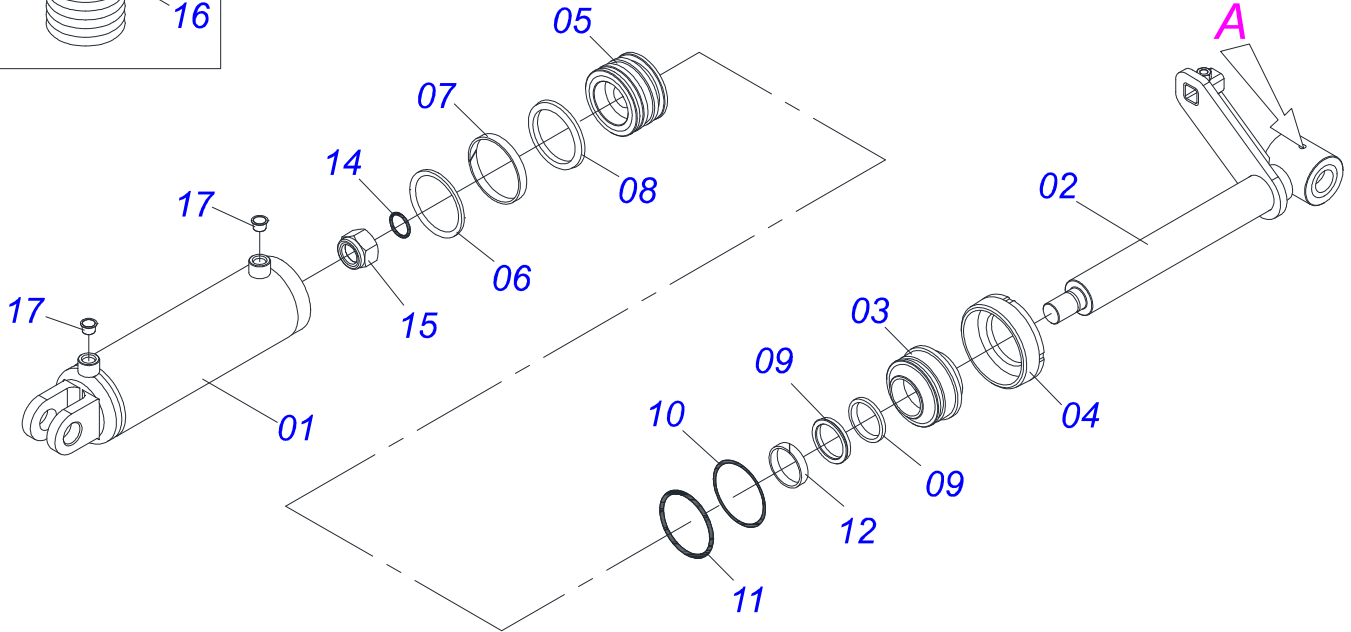
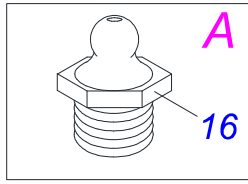
Item	Code	Description	QT
00	0511051845	RIGHT FRONT CARRYING-WHEELS	01
00A	0511051846	FRONT CARRYING-WHEELS	00
01	0511051796	RIGHT FRONT CARRYING-WHEELS	01
01A	0521063068	FRONT CARRYING-WHEELS	01
01B	0503010279	SEAL	01
01C	0503011290	30206 BALL BEARING	01
01D	0503010360	30208 ROLLER BEARING	01
01E	0511015994	FLAT WASHER	01
01F	0503030009	1" CASTLE NUT	01
01G	0503010523	1/4" X 2" COTTERPIN	01
01H	0501110695	AXLE W/ FLANGE	01
01Ha	0521063074	AXLE W/ FLANGE	01
01Hb	0501010127	9/16" X 1-7/8" LUG BOLT	06
01Hc	0503010035	9/16" CONIC NUT	06
01I	0503010002	1800 GREASE FITTING	03
01J	0541018995	WHEEL BOX COVER	01
01K	0503011441	SPRING WASHER	03
01L	0503013758	1/4" X 1-1/2" BOLT	03
02	0511051797	LEFT FRONT CARRYING-WHEELS	00
02A	0521063067	FRONT CARRYING-WHEELS	00
03	0521063073	BRAÇO RODADO DIANT	01
04	0521014023	MIDDLEMAN FLANGE	01
05	0521014024	WASHER SPACER	01
06	0521014014	REAR FIXER FLANGE	01
07	0501010100	5/8 UNC X 2 C S G.5 BOLT	02
08	0503010027	SPRING WASHER	02
09	0503060091	L29.5"X0.63"-10L WHEEL AND	01
09A	0503010893	WHEEL	01
09B	0503010033	7.50 X 16 INNER TIRE	01
09C	0503010120	CANVAS TIRE	01



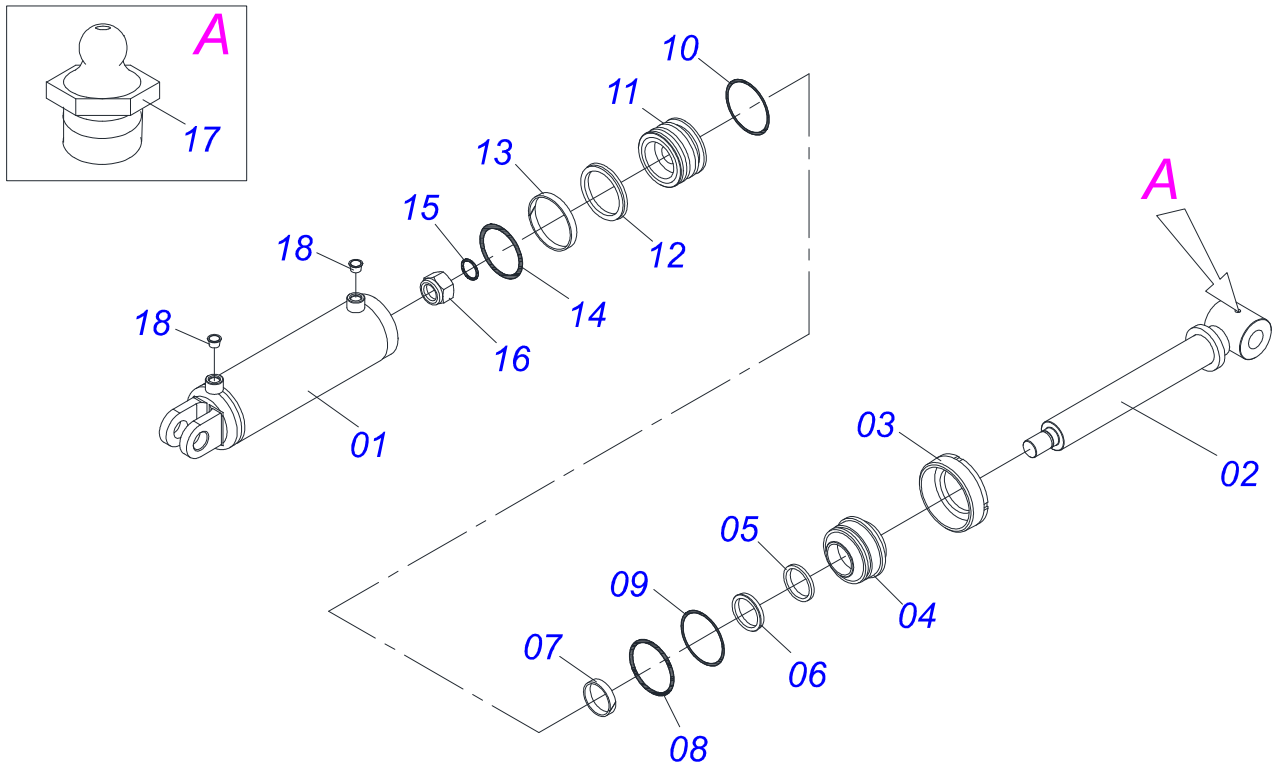
Item	Code	Description	QT
01	0503062227	DRAWBAR JACK	01



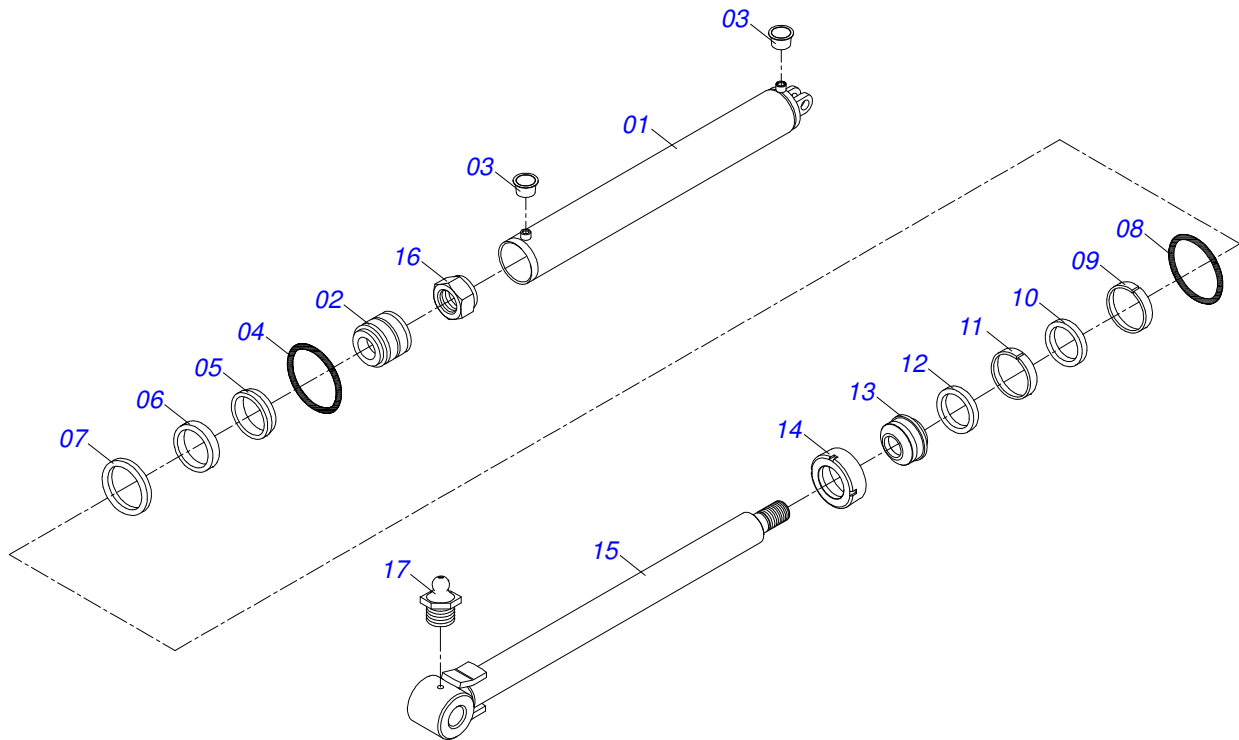
Item	Code	Description	
00	0511043611	HYDRAULIC CYLINDER	01
01	0511066480	85,72 X 430 CYLINDER CASE	01
02	0521016677	1.75" X 17.5" TURNBUCLE	01
03	0502040747	FORK	01
04	0503011094	3/8" X 2" BOLT C C S I 12.9	01
05	0503010025	3/8 SPRING WASHER	01
06	0503010026	3/8" NUT	01
07	0502010993	DETACHABLE COVER	01
08	0502010781	RING SUPPORT	01
09	0503010761	D-1750 SCRAPER RING	01
10	0503010990	GASKET	01
11	0503010949	W2-2000-500 PK RING G.E	01
12	0503010976	2-336 N 3006-9B O'RING	01
13	0503011060	8-336 BACK-UP RING	01
14	0503010063	1" SELF-ALIGNING NUT	01
15	0503010042	2-214 N 3006-9B O'RING	01
16	0502011847	1.7" X 3.4" PISTON	01
17	0503012509	GASKET	02
18	0503010948	W4-3346-590 PK RING G.E	01
19	0511018115	1.8" X 0.1" 0.7" BUSHING	01
20	0503011148	3/8" X 1/2" BOLT	01



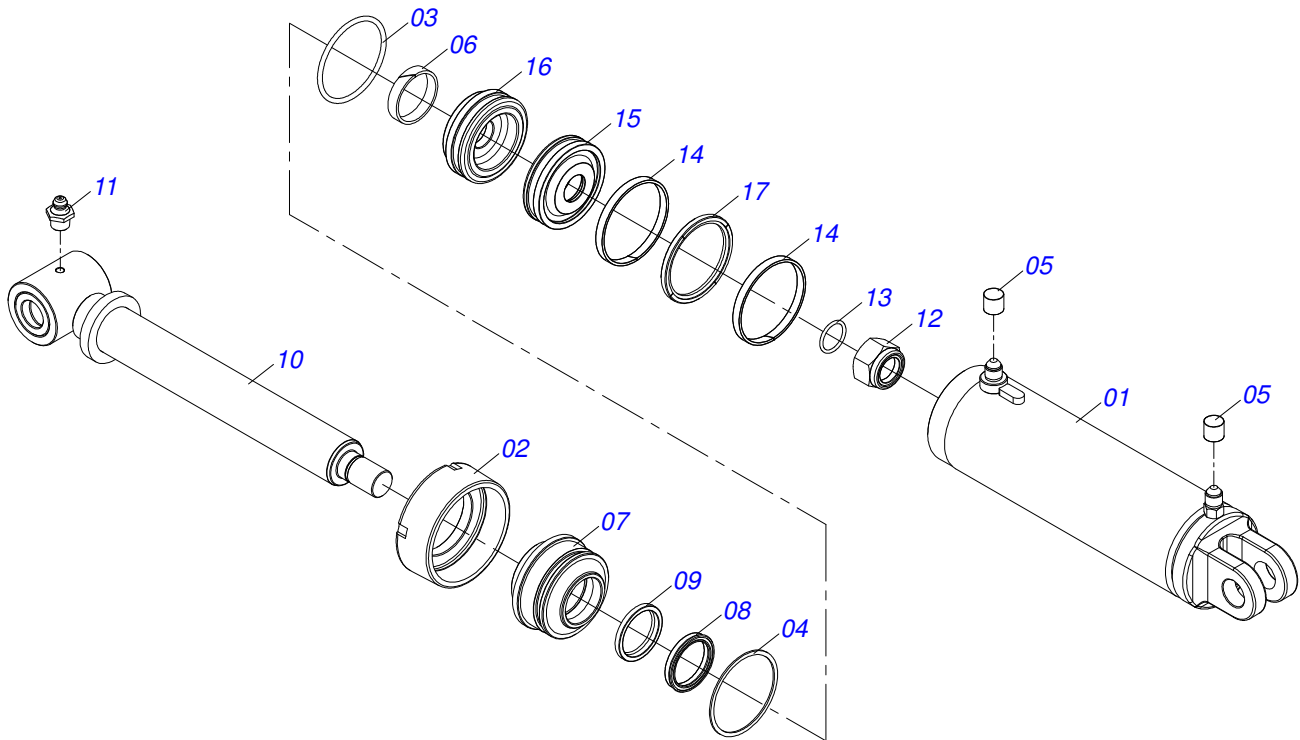
Item	Code	Description	QT
00	0511047971	HYDRAULIC CYLINDER	01
01	0511066479	CYLINDER CASE	01
02	0521060645	TURNBUCLELE	01
03	0502011250	RING OF SUPPORT	01
04	0502011182	4" DETACHABLE COVER	01
05	0502011249	PISTON	01
06	0503012725	GASKET	01
07	0503010994	W2-4000-500 PK RING G.E	01
08	0503010319	D-2125 SCRAPER	01
09	0503010314	GASKET	01
10	0503011061	8-342 BACK-UP RING	01
11	0503010338	2-342 N 3006-9B O'RING	01
12	0503010973	W2-2500-500 PK O'RING G.E	01
13	0503010043	PACKING 3750-3250	01
14	0503010345	2-218 N 3006-9B O'RING	01
15	0503010817	1-1/4" SELF-ADJUSTING NUT	01
16	0503010002	1800 GREASE FITTING	01
17	0503030384	CON N-001 PLUG	02



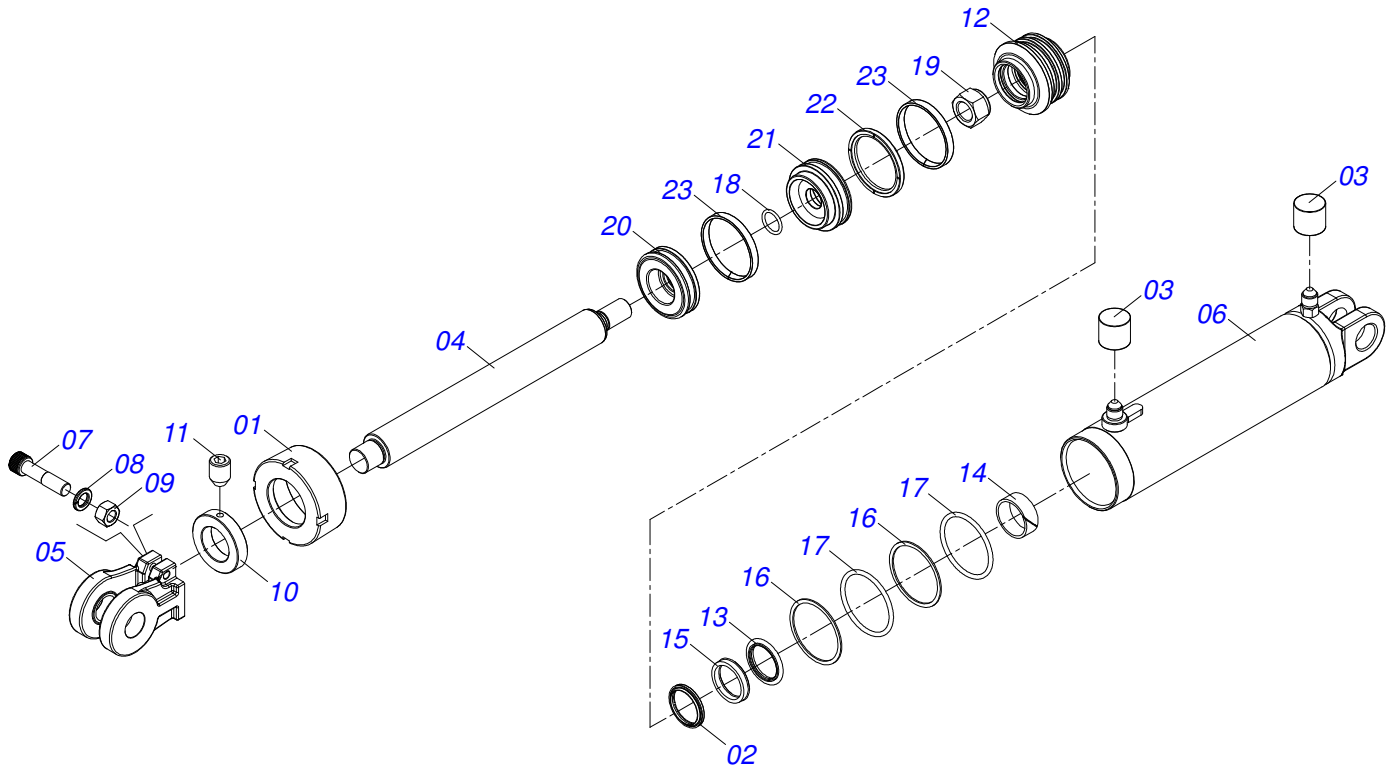
Item	Code	Description	QT
00	0511047972	HYDRAULIC CYLINDER	01
01	0511066479	CYLINDER CASE	01
02	0521060656	TURNBUCKLELE	01
03	0502011182	4" DETACHABLE COVER	01
04	0502011250	RING OF SUPPORT	01
05	0503010319	D-2125 SCRAPER	01
06	0503010314	GASKET	01
07	0503010973	W2-2500-500 PK O'RING G.E	01
08	0503011061	8-342 BACK-UP RING	01
09	0503010338	2-342 N 3006-9B O'RING	01
10	0503010345	2-218 N 3006-9B O'RING	01
11	0502011249	PISTON	01
12	0503010043	PACKING 3750-3250	01
13	0503012725	GASKET	01
14	0503012726	RUBBER RING	01
15	0503010994	W2-4000-500 PK RING G.E	01
16	0503010817	1-1/4" SELF-ADJUSTING NUT	01
17	0503010002	1800 GREASE FITTING	01
18	0503030384	CON N-001 PLUG	02



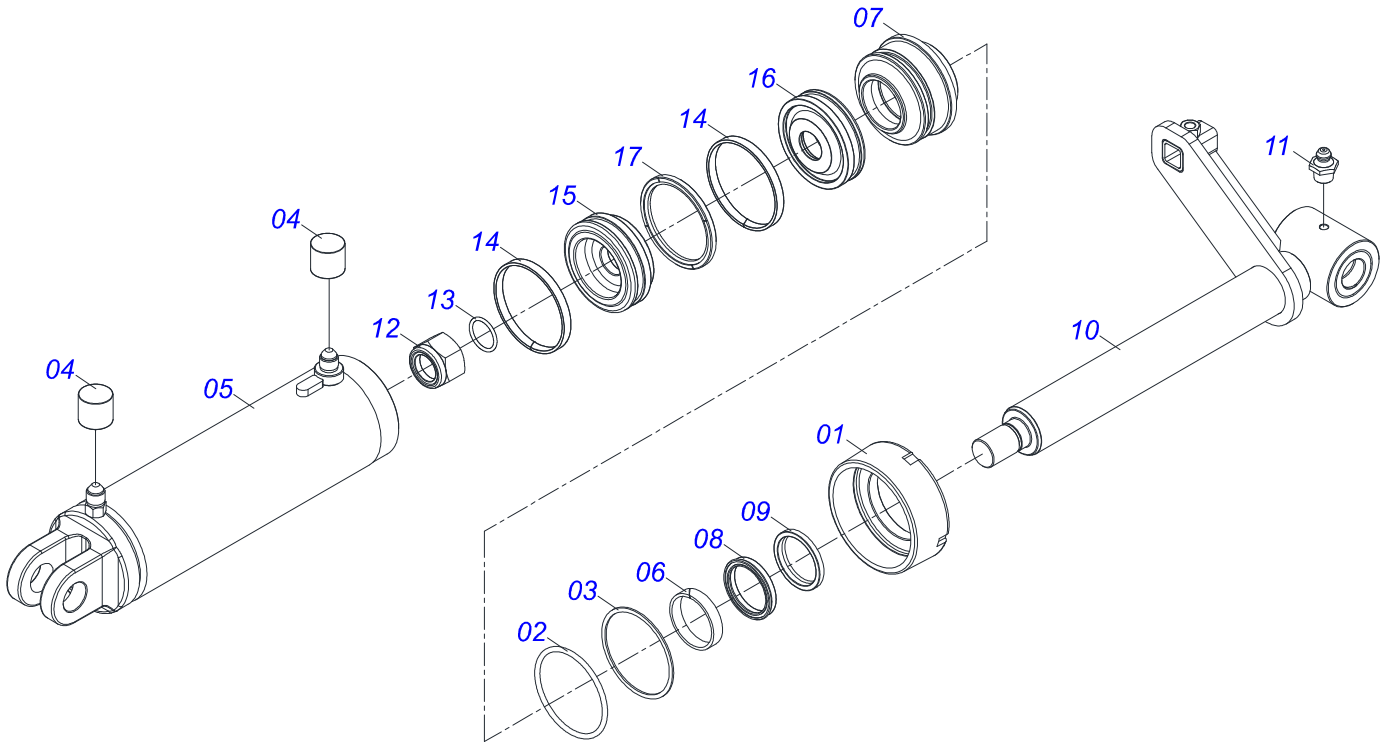
Item	Code	Description	QT
01	0511068524	CYLINDER CASE	01
02	0502012518	50,8 X 127 PISTON	01
03	0503030384	CON N-001 PLUG	01
04	0503010345	2-218 N 3006-9B O-RING	01
05	0503010039	D-2000 SCRAPER RING	01
06	0503010991	PACKING 1870-2000-375-B	01
07	0503011061	8-342 BACK-UP RING	01
08	0503010338	2-342 N 3006-9B O-RING	01
09	0503010952	W2-2250-500 PK RING G.E	01
10	0503010043	PACKING 3750-3250	01
11	0503010994	W2-4000-500 PK RING G.E	01
12	0503010043	PACKING 3750-3250	01
13	0502010778	2" X 4.2" RING SUPPORT	01
14	0502010017	4" HEAD	01
15	0511069760	50,80 X 1215 ROD	01
16	0503010817	1-1/4" SELF-ADJUSTING NUT	01
17	0503010002	1800 GREASE FITTING	01



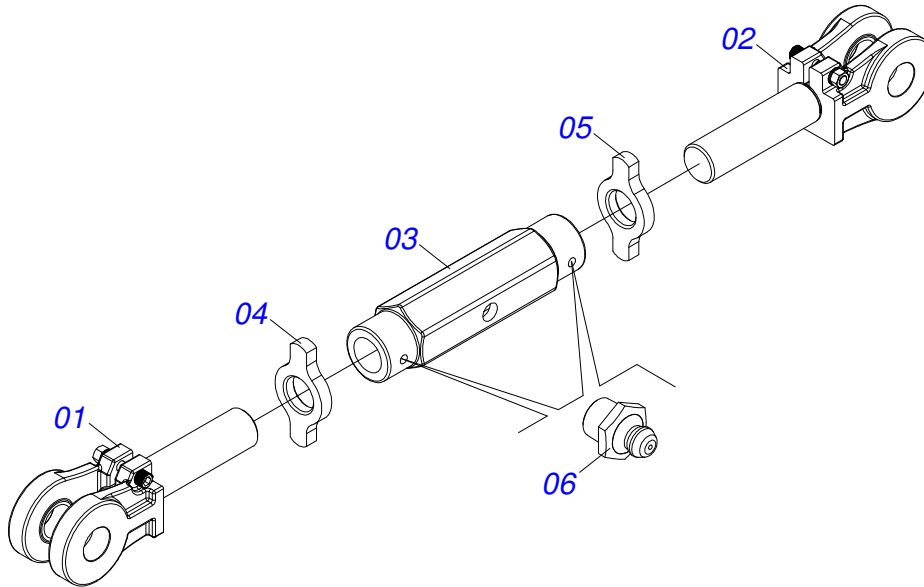
Item	Code	Description	QT
01	0521066183	CYLINDER CASE	01
02	0502010017	4" HEAD	01
03	0503010338	2-342 N 3006-9B O'RING	01
04	0503011061	8-342 BACK-UP RING	01
05	0503030385	PLUG	02
06	0503010973	W2-2500-500 PK O'RING G.E	01
07	0502011250	RING OF SUPPORT	01
08	0503015642	U-CUP SEALING	01
09	0503015715	SCRAPER SEALING	01
10	0521060656	TURNBUCKLELE	01
11	0503010002	1800 GREASE FITTING	01
12	0503010817	1-1/4" SELF-ADJUSTING NUT	01
13	0503010345	2-218 N 3006-9B O'RING	01
14	0503017889	RING GUIDE	02
15	0581012601	PISTON	01
16	0581012602	PISTON	01
17	0503018651	SEALING	01



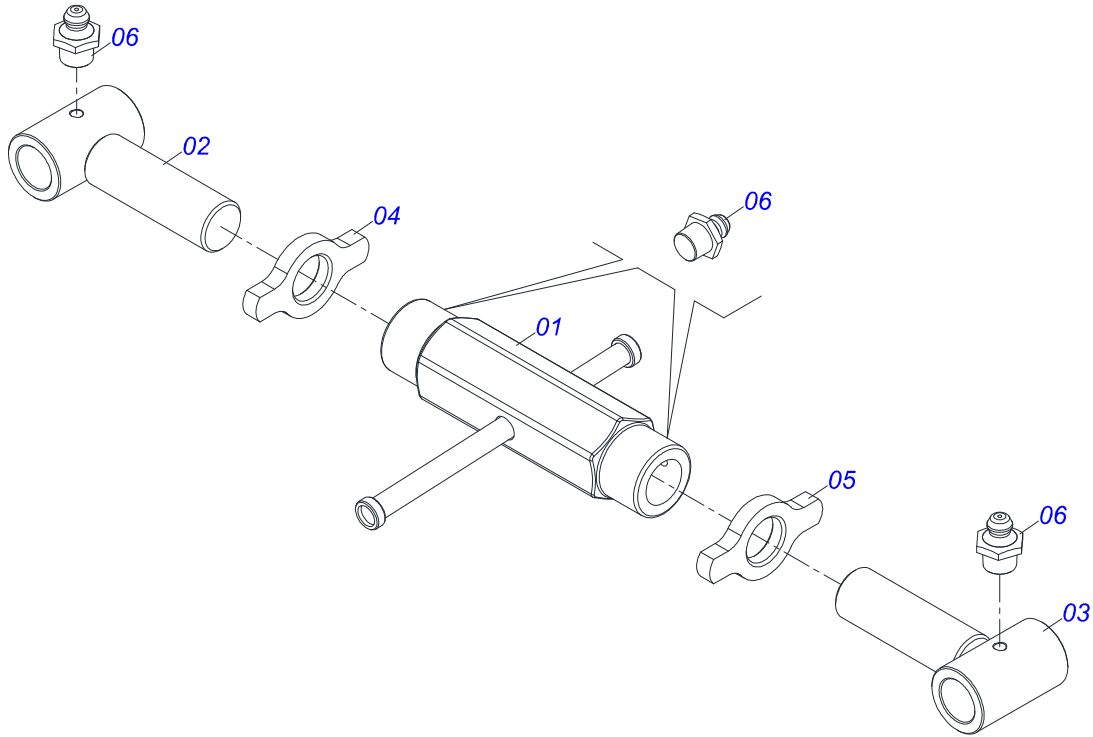
Item	Code	Description	QT
01	0571019709	DETACHABLE COVER	01
02	0503010761	D-1750 SCRAPER RING	01
03	0503030385	PLUG	02
04	0521016677	1.75" X 17.5" TURNBUCLE	01
05	0502040747	FORK	01
06	0521066182	CYLINDER CASE	01
07	0503011094	3/8" X 2" BOLT C C S I 12.9	01
08	0503011443	SPRING WASHER	01
09	0503010026	3/8" NUT	01
10	0511018115	1.8" X 0.1" 0.7" BUSHING	01
11	0503011148	3/8" X 1/2" BOLT	01
12	0571019711	RING SUPPORT	01
13	0503017936	RING	01
14	0503017938	RING GUIDE	01
15	0503017937	GASKET	01
16	0503017940	8-337 BACK-UP RING	02
17	0503017939	2-337 N 3006-9B O' RING	02
18	0503010042	2-214 N 3006-9B O'RING	01
19	0503010063	1" SELF-ALIGNING NUT	01
20	0581012598	PISTON	01
21	0581012597	PISTON	01
22	0503018650	SEALING	01
23	0503017883	RING GUIDE	02



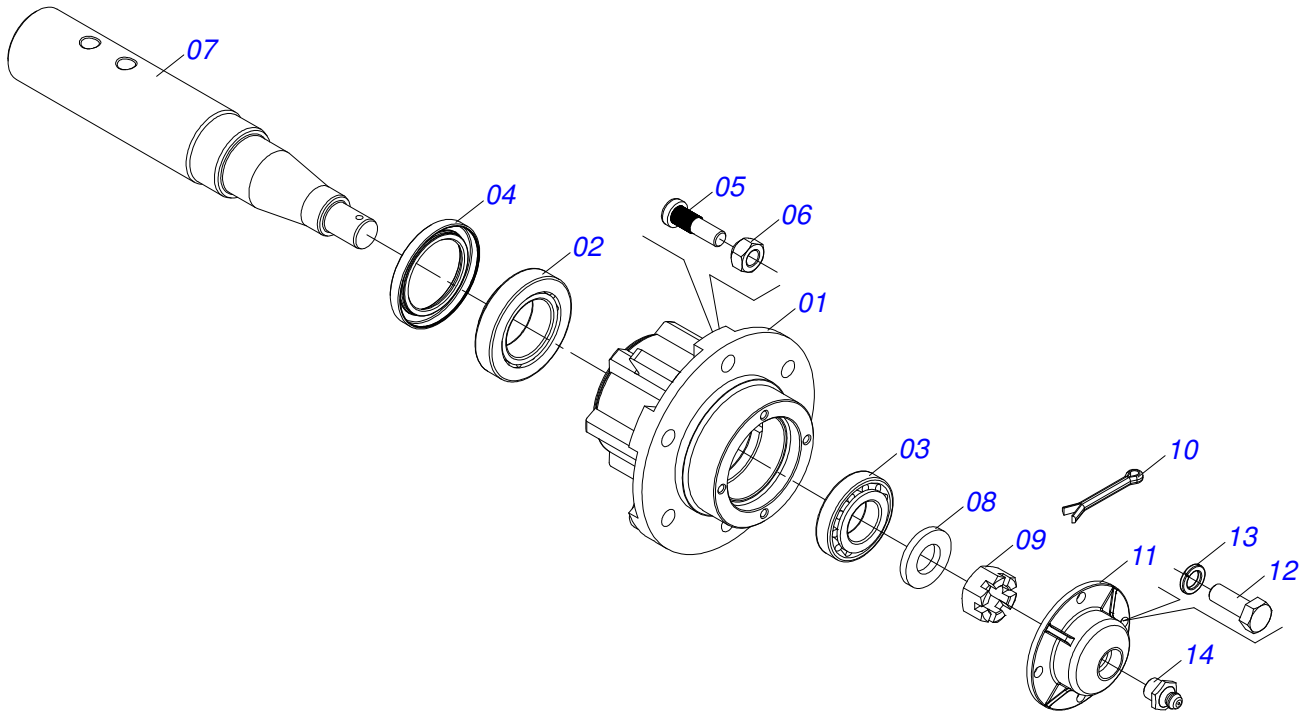
Item	Code	Description	QT
001	0502010017	4" HEAD	01
002	0503010338	2-342 N 3006-9B O'RING	01
003	0503011061	8-342 BACK-UP RING	01
004	0503030385	PLUG	02
005	0521066183	CYLINDER CASE	01
006	0503010973	W2-2500-500 PK O'RING G.E	01
007	0502011250	RING OF SUPPORT	01
008	0503015642	U-CUP SEALING	01
009	0503015715	SCRAPER SEALING	01
010	0521060645	TURNBUCKLELE	01
011	0503010002	1800 GREASE FITTING	01
012	0503010817	1-1/4" SELF-ADJUSTING NUT	01
013	0503010345	2-218 N 3006-9B O'RING	01
014	0503017889	RING GUIDE	02
015	0581012601	PISTON	01
016	0581012602	PISTON	01
017	0503018651	SEALING	01



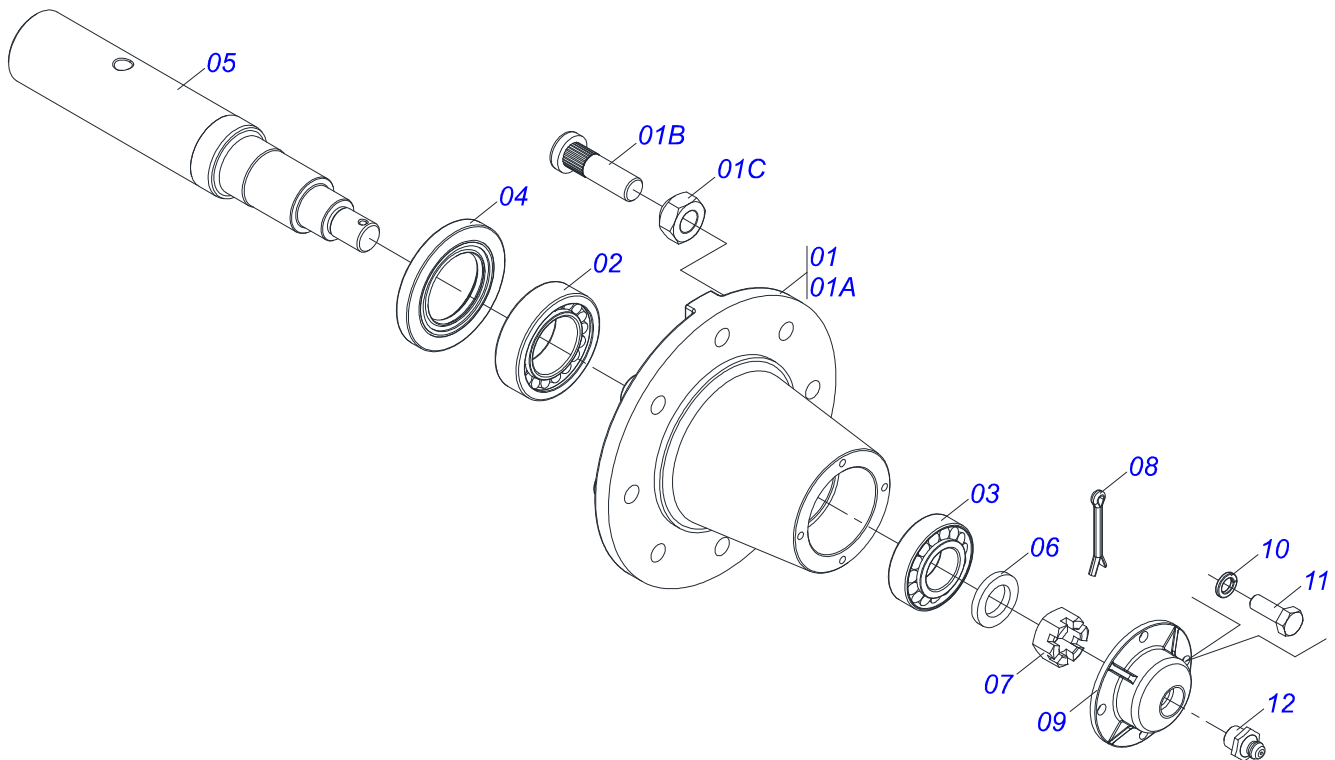
Item	Code	Description	QT
01	0521060347	FORK JACK LEFT	01
02	0521060346	FORK JACK RIGHT	01
03	0502011195	ADJUSTMENT NUT BODY	01
04	0541018673	COUNTERNUT	01
05	0541018672	COUNTERNUT	01
06	0503010002	1800 GREASE FITTING	02



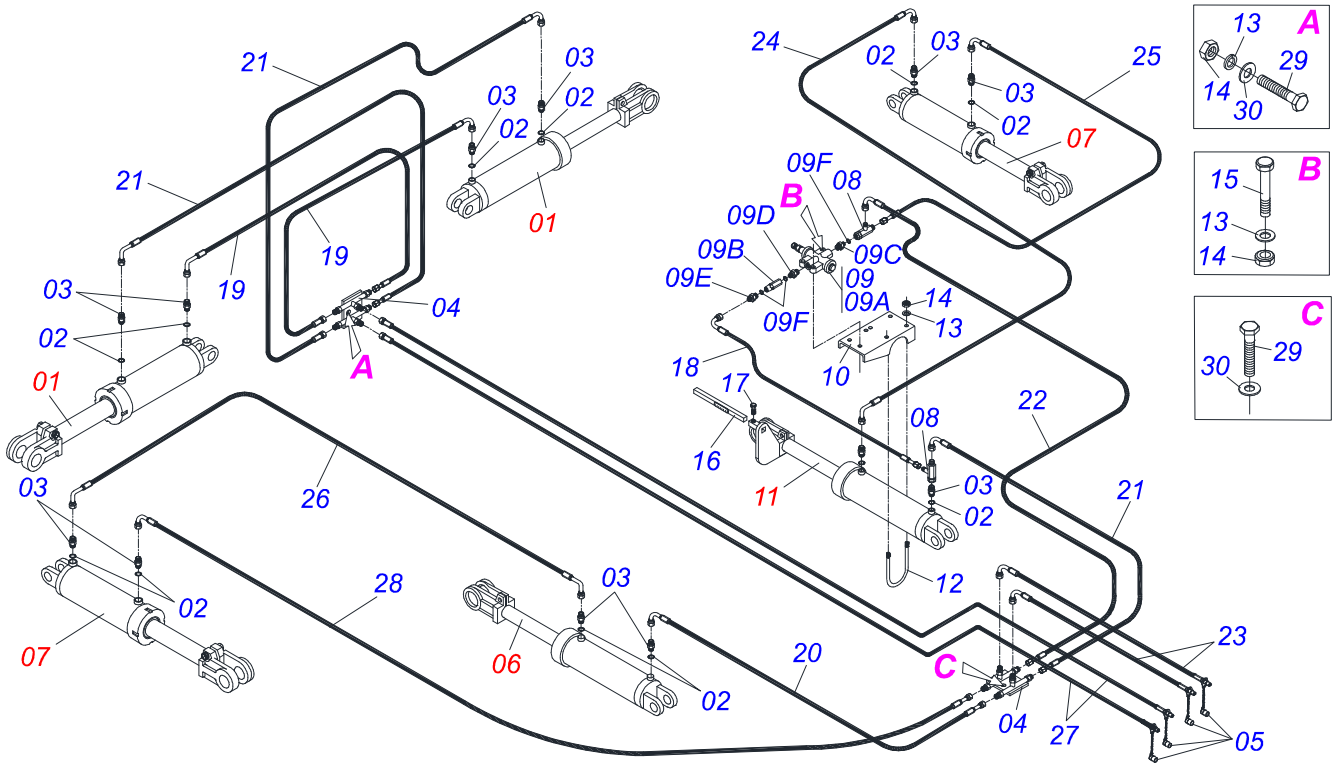
Item	Code	Description	QT
01	0501110262	245 ADJUSTMENT NUT	01
02	0501064001	RIGHT JACK CRANK	01
03	0501064002	LEFT JACK CRANK	01
04	0541018672	COUNTERNUT	01
05	0541018673	COUNTERNUT	01
06	0503010002	1800 GREASE FITTING	04



Item	Code	Description	QT
01	0502011121	CARRYING WHEEL HUB	01
02	0503010006	32210 ROLLER BEARING	01
03	0503010037	30207 ROLLER BEARING	01
04	0503011867	00517-BR SEAL WITH HOLE	01
05	0501010127	9/16" X 1-7/8" LUG BOLT	06
06	0503010035	9/16" CONIC NUT	06
07	0541015259	63,40 X 366 AXLE	01
08	0501016545	FLAT WASHER	01
09	0503030009	1" CASTLE NUT	01
10	0503010018	5/32 X 1-1/2 COTTERPIN	01
11	0502020591	PROTECCION COVER	01
12	0503010178	5/16" X 7/8" BOLT	04
13	0503010179	SPRING WASHER	04
14	0503010002	1800 GREASE FITTING	01



Item	Code	Description	QT
01	0501110738	CARRYING WHEEL HUB	01
01A	0502012260	CAIXA RODADO TRANSPORTE GCRO 2240	01
01B	0501010186	PARAFUSO ROD 5/8UNF X 2.1/8CR	08
01C	0503010064	5/8 UNF CONIC NUT	08
02	0503010008	ROLAMENTO 3780/37203	01
03	0503014821	ROLLER BEARING	01
04	0503013314	RETENTOR 5166-GB 63,5 X 110 X 13 ARCA	01
05	0511012494	SPINDLE	01
06	0511012492	ARRUELA LISA 28 X 46 X 6,30	01
07	0503030009	1" CASTLE NUT	01
08	0503010018	5/32 X 1-1/2 COTTERPIN	01
09	0502020591	PROTECCION COVER	01
10	0503011444	SPRING WASHER	04
11	0503010358	5/16" X 5/8" BOLT	04
12	0503010002	1800 GREASE FITTING	01



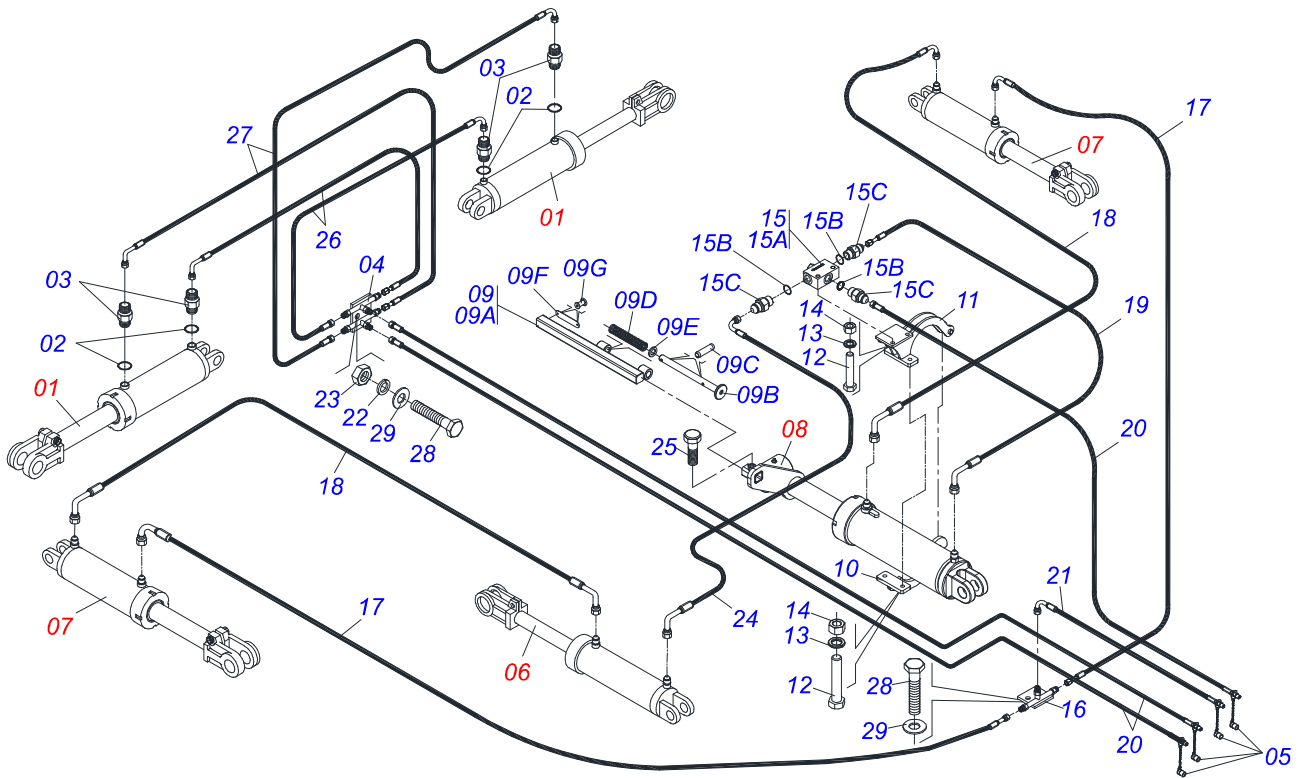
Item	Code	Description	QT
01	0511045827	HYDRAULIC CYLINDER	02
02	0503010190	2-114 N 3006-9B O-RING	12
03	0501010617	3/4" NIPPLE	12
04	0501068706	DOUBLE CONNECTION	02
05	0501053834	QUICK CONECTION (MALE) 1/2	04
06	0511047972	HYDRAULIC CYLINDER	01
07	0511043611	HYDRAULIC CYLINDER	02
08	0503011968	T ADAPTOR WITH GIRAT	02
09	0511045705	VALVE ASSEMBLY	01
09A	0503014462	VALVE LIMITER COURSE	01
09B	0503014463	VALVE RETAINING	01
09C	0551014611	NIPPLE R3/4 NPT X 3/4 UNF X 55	01
09D	0571012017	1/2" NIPPLE	01
09E	0571012012	1/2" NIPPLE	01
09F	0503010045	2-116 N 3006-9B O-RING	03
10	0521060343	FIXER SUPPORT VALVE	01
11	0511047971	HYDRAULIC CYLINDER	01
12	0551019514	3/8 FASTENER	02
13	0503010025	3/8 SPRING WASHER	09
14	0503010026	3/8" NUT	09
15	0503011268	3/8" X 2-1/2" BOLT	03
16	0501058414	ADJUSTMENT AXLE	01
17	0501018535	1/2 X 1 BOLT	01
18	0501080375	3/8 X 600 TR-TC HOSE ASSY	01
19	0501081259	3/8 X 870 TR-TC HOSE ASSY	02
20	0501080436	TR-TC HOSE ASSY	01
21	0501080419	TR-TC HOSE ASSY	03
22	0501080342	TR-TR HOSE ASSY	01
23	0501080878	3/8 X 4200 TC-TM HOSE ASSY	02
24	0501081257	TC-TC HOSE ASSY	01
25	0501081255	TR-TC HOSE ASSY	01
26	0501081258	3/8 X 6320 TC-TC HOSE ASSY	01
27	0501081214	3/8 X 6800 TR-TM HOSE ASSY	02



HYDRAULIC CIRCUIT

0909094510

Item	Code	Description	QT
28	0501081256	TR-TC HOSE ASSY	01
29	0501010080	3/8" BOLT	04
30	0501010984	FLAT WASHER	04

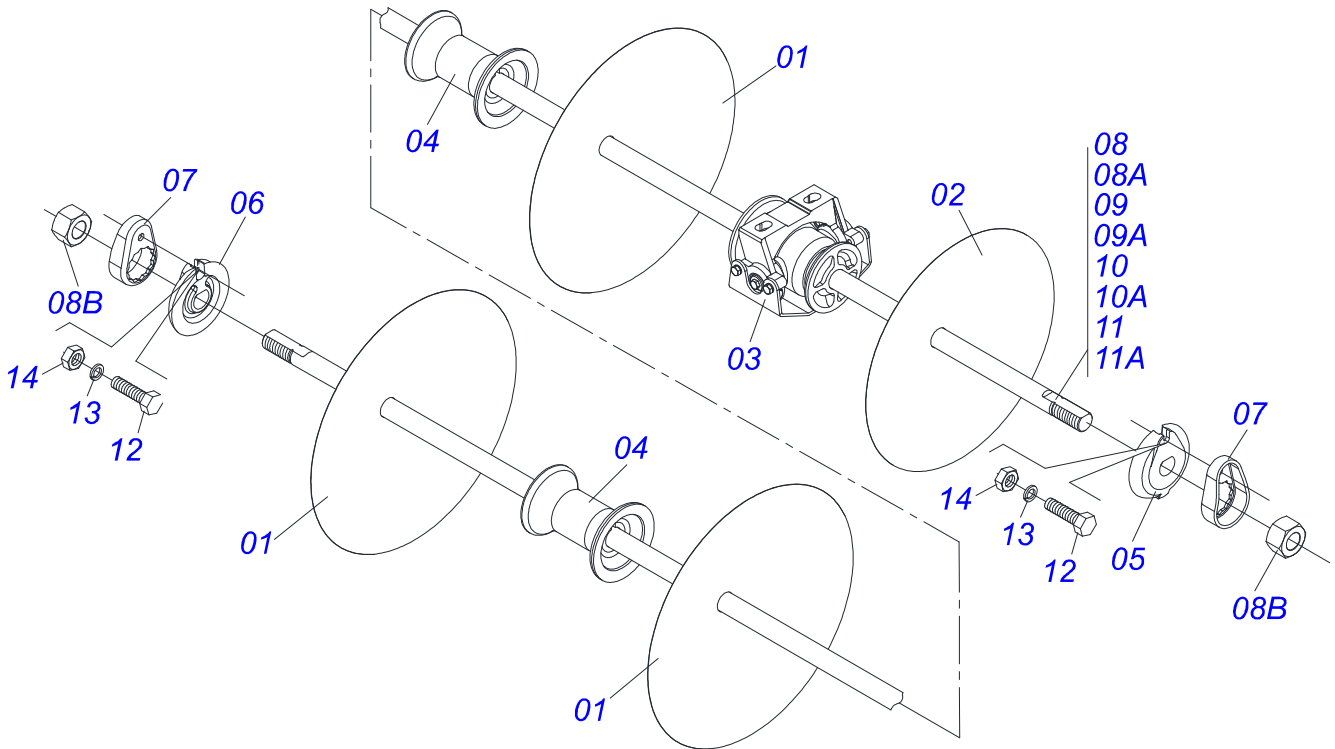


Item	Code	Description	QT
01	0511045827	HYDRAULIC CYLINDER	02
02	0503010190	2-114 N 3006-9B O-RING	04
03	0501010617	3/4" NIPPLE	04
04	0501068706	DOUBLE CONNECTION	01
05	0501053834	QUICK CONECTION (MALE) 1/2	04
06	0521045650	HYDRAULIC CYLINDER	01
07	0521045646	HYDRAULIC CYLINDER	02
08	0521045651	HYDRAULIC CYLINDER 53,98X101,6X563X251 BP	01
09	0511059126	REGULATOR	01
09A	0521067320	ADJUSTMENT AXLE	01
09B	0521067321	BEATER FRAME	01
09C	0503010686	0.2" X 0.7" SPRING PIN	02
09D	0503030170	COMPRESSION SPRING	01
09E	0581012941	FLAT WASHER	01
09F	0503030886	SCALE DOSER	01
09G	0503010001	RIVET POP	02
10	0521067319	SUPPORT LOCK VALVE	01
11	0521067318	VALVE SUPPORT	01
12	0503011236	3/8" X 2" BOLT	04
13	0503010025	3/8 SPRING WASHER	04
14	0503010026	3/8" NUT	04
15	0521045848	VALVE LIMITER COURSE	03
15A	0503062610	VALVE LIMITER COURSE	01
15B	0503010190	2-114 N 3006-9B O-RING	03
15C	0501010617	3/4" NIPPLE	03
16	0501068707	SIMPLE CONNECTION	01
17	0501081519	7500 TR-TC HOSE ASSY	02
18	0501081258	3/8 X 6320 TC-TC HOSE ASSY	02
19	0501080375	3/8 X 600 TR-TC HOSE ASSY	01
20	0501081214	3/8 X 6800 TR-TM HOSE ASSY	03
21	0501080878	3/8 X 4200 TC-TM HOSE ASSY	01
22	0503010025	3/8 SPRING WASHER	02
23	0503010026	3/8" NUT	02

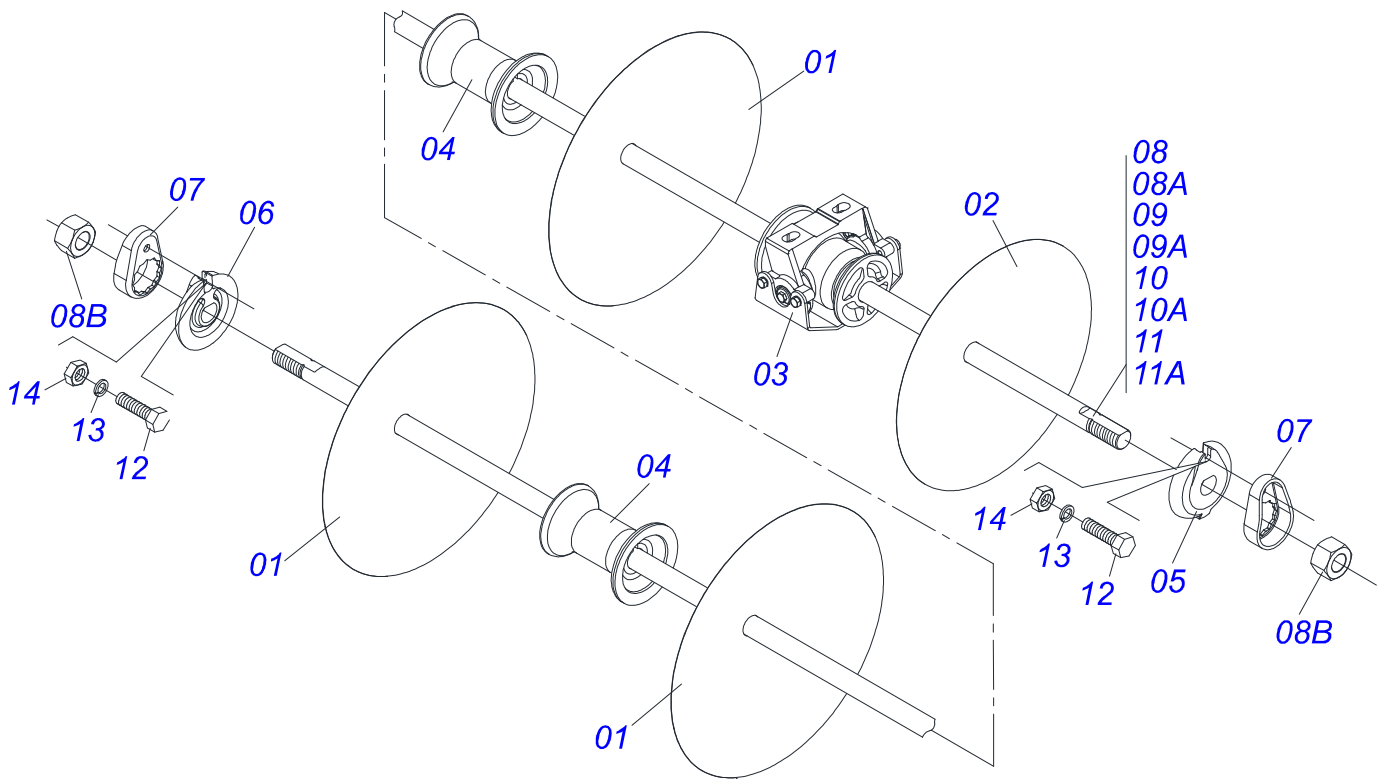


HYDRAULIC CIRCUIT

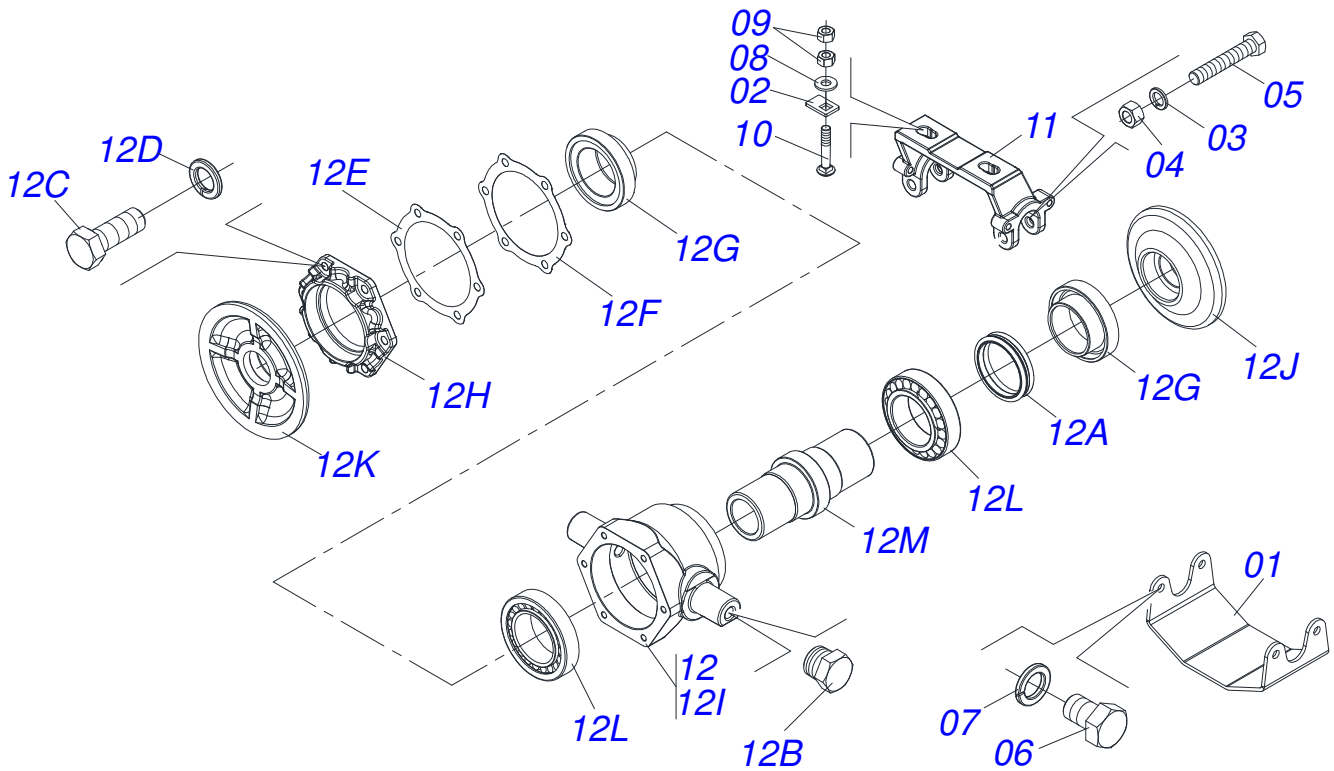
Item	Code	Description	QT
24	0501080812	3/8 X 3900 TC-TC HOSE ASSY	01
25	0501018535	1/2 X 1 BOLT	01
26	0501081259	3/8 X 870 TR-TC HOSE ASSY	02
27	0501080419	TR-TC HOSE ASSY	02
28	0501010080	3/8" BOLT	04
29	0501010984	FLAT WASHER	04



Item	Code	Description	88 96 104
01	0601030213	24" X 6 PLAIN DISC BLADE	41 46 49
02	0601029207	22" X 6 PLAIN DISC BLADE	02 04 02
03	0511043261	SWIVEL OIL BEATH BEARING	50 58 50
04	0502010366	SPACER	26 26 26
05	0502012221	1-1/2" INNER AXLE WASHER	12 12 12
06	0502012222	1-3/4" EXTERNAL AXLE WASHER	12 12 12
07	1902012636	1.5/8" NUT LOCK	12 12 12
08	0501042893	1.3/4" X 1555 AXLE WITH NUTS	02 04 02
08A	0501018607	EIXO 1.3/4 X 1555	02 04 02
08B	0501010333	1.3/4" NUT	02 04 02
09	0501059619	1.3/4" X 2240 AXLE WITH NUTS	02 02 02
09A	0551014710	1.3/4" X 2240 AXLE	02 02 02
09B	0501010333	1.3/4" NUT	02 02 02
10	0501042894	1.3/4" X 1325 AXLE WITH NUTS	00 00 04
10A	0501018606	1.3/4" X 1325 AXLE	00 00 04
10B	0501010333	1.3/4" NUT	00 00 04
11	0521040812	1.3/4" X 2015 AXLE WITH NUTS	02 00 00
11A	0561018887	1.3/4" X 2015 AXLE	02 00 00
11B	0501010333	1.3/4" NUT	02 00 00
12	0503010232	5/8" X 1.3/4" BOLT	12 12 12
13	0503010027	SPRING WASHER	12 12 12
14	0503010013	5/8" NUT	12 12 12



Item	Code	Description	88 96 104
01	0601030213	24" X 6 PLAIN DISC BLADE	40 44 50
02	0601029207	22" X 6 PLAIN DISC BLADE	02 02 02
03	0601027293	20" X 6 PLAIN DISC BLADE	02 02 02
04	0602025254	18" X 4,5 NOTCHED DISC BLADE	02 02 02
05	0511043261	SWIVEL OIL BEATH BEARING	13 13 13
06	0502010366	SPACER	25 29 25
07	0502012221	1-1/2" INNER AXLE WASHER	06 06 06
08	0502012222	1-3/4" EXTERNAL AXLE WASHER	06 06 06
09	1902012636	1.5/8" NUT LOCK	12 12 12
10	0501040362	1.3/4" X 1790 AXLE WITH NUTS	02 06 02
10A	0501011422	1.3/4 X 1790 AXLE	02 06 02
10B	0501010333	1.3/4" NUT	12 12 12
11	0521040812	1.3/4" X 2015 AXLE WITH NUTS	00 00 04
11A	0561018887	1.3/4" X 2015 AXLE	00 00 04
12	0501042893	1.3/4" X 1555 AXLE WITH NUTS	04 00 00
12A	0501018607	EIXO 1.3/4 X 1555	04 00 00
13	0503010232	5/8" X 1.3/4" BOLT	20 20 20
14	0503010027	SPRING WASHER	20 20 20
15	0503010013	5/8" NUT	20 20 20
16	0521063123	SPACER	02 02 02
17	0502012378	1-3/4"EXTERNAL AXLE WASHER	02 02 02



Item	Code	Description	QT
00	0511043261	SWIVEL OIL BEATH BEARING	01
01	0561015690	CAP BEARING	01
02	0541014269	3/4 SQUARE WASHER	02
03	0503010027	SPRING WASHER	02
04	0503010013	5/8" NUT	02
05	0503010762	5/8" X 3-12" BOLT	02
06	0503011401	1/2" X 3/4" BOLT	04
07	0503010019	1/2" SPRING WASHER	04
08	0501010322	FLAT WASHER	02
09	0503010014	3/4" NUT	04
10	0501010162	3/4" X 4" BOLT	02
11	0502012304	SWIVEL SUPPORT BEARING	01
12	0501059686	CHOCK BEARING	01
12A	0503030027	DUO-CONE SEAL	02
12B	0503010856	OIL PLUG	02
12C	0503010237	3/8" X 1" BOLT	06
12D	0503011443	SPRING WASHER	06
12E	0503030030	5.6" X 4.4" X 0.01" GASKET	01
12F	0503030685	5.5" X 4.4" X 0.003" GASKET	01
12G	0502040125	SEAL RETAINER	02
12H	0502020161	BEARING CAP	01
12I	0502012343	AGRICULTURAL HOUSING BEARING	01
12J	0502040133	INNER FLANGE	01
12K	0502040132	OUTER FLANGE	01
12L	0503012819	ROLLER BEARING	02
12M	0502011144	MRO 233 1.3/4 AXLE	01



email: civemasa@civemasa.com.br

www.civemasa.com.br

Phone: +55 16.3382.8222

Fax: +55 16.3382.8355

MARCHESAN IMPLEMENTOS E MÁQUINAS AGRÍCOLAS "TATU" S.A.

Av. Marchesan, 1979 - Post Office box, 131 - Cep 15994-900 - Matão - Sp - Brasil

CNPJ 52.311.289/0001-63 | Inst. Est.441.000.151.114

Technical Publications: Elaboration

JOSÉ DOMINGOS GASPARI

Technical Publications: Revision

ALESSANDRA PATRICIA KAWAHARA CARRILI

Contact Catálogo:

E-mail = jgaspari@marchesan.com.br

ORIGINAIS PARTS
CIVEMASA