

DISK HARROWS

SAC 28/32/36/40/44/48D

Code: 0501091759
Series: S-0713
Revision: 00
Revision Date: FEVEREIRO/2023

PARTS CATALOGUE

CIVEMASA

PRODUCTS

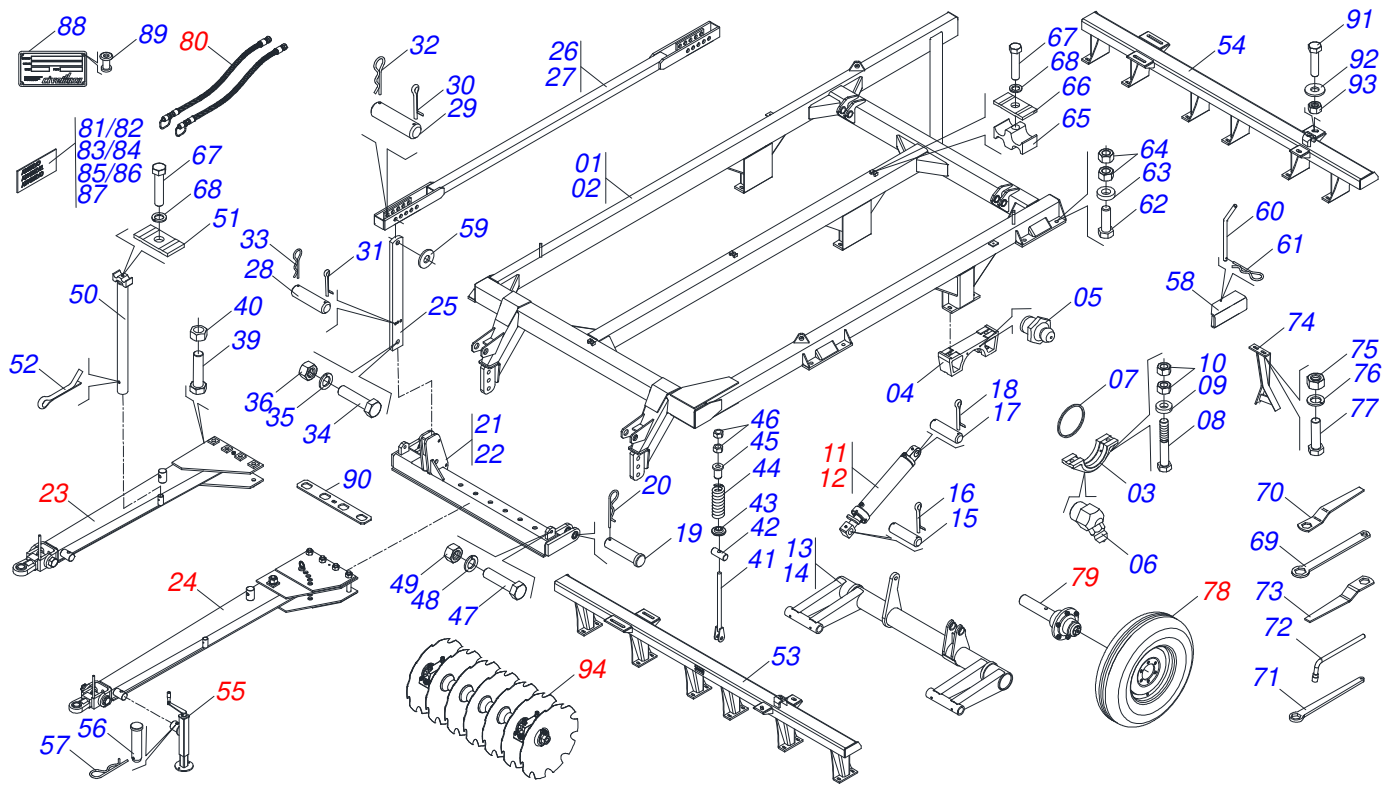
Code	Description
0120070083	SAC 28 X 28 X 7,5 DR S-0713
0120070092	SAC 28 X 30 X 7,5 DR DMO E 1.3/4 S-0713
0120070084	SAC 28 X 30 X 7,5 DR S-0713
0120070060	SAC 32 X 26 X 6,0REC 6610725 S-0713
0120070093	SAC 32 X 28 X 7,5 DR DMO E 1.3/4 S-0713
0120070061	SAC 32 X 28 X 7,5REC 6610734 S-0713
0120070062	SAC 32 X 30 X 7,5REC 6611339 S-0713
0120070067	SAC 36 X 26 X 6,0REC 6610789 S-0713
0120070069	SAC 36 X 28 X 7,5 L/R S-0713
0120070068	SAC 36 X 28 X 7,5REC 6610808 S-0713
0120070081	SAC 36X30X7,5 REC S-0713
0120070074	SAC 40 X 26 X 6,0REC 6610853 S-0713
0120070075	SAC 40 X 28 X 7,5REC 6610871 S-0713
0120070076	SAC 40 X 30 X 7,5REC 6611248 S-0713
0120070088	SAC 40-CH TR28 X 7,5 DR ESPECIAL S-0713
0120070077	SAC 44 X 28 X 7,5REC 6610211 S-0713
0120070078	SAC 44 X 30 X 7,5REC 6611046 S-0713
0120070086	SAC 48 X 28 X 7,5REC 6610651 PN400/60 S-0713
0120070079	SAC 48 X 28 X 7,5REC 6610651 S-0713
0120070080	SAC 48 X 30 X 7,5REC 6611311 S-0713

ATTENTION: IMPORTANT

CIVEMASA reserves the right to improve and/or modify the technical features of its products, without obligation to do the same with those products already sold and without prior knowledge of the dealer or the customer. The photos are only illustrative.

INDEX

0909092065	ASSY FRAME	1
0511050283	AXLE ASSY	2
0511050262	DRAWBAR ASSEMBLY	3
0531041450	HYDRAULIC CYLINDER 63.5 X 127 X 630 X 300 SAC	4
0501048626	HYDRAULIC CYLINDER 53,98X101,6X730X400 - (UNTIL 08/2021)	5
0531041451	HYDR. CYLINDER 53,98X101,6X728X400 - (FROM 09/2021)	6
0511048088	DRAWBAR JACK	7
0503060091	L29.5"X0.63"-10L WHEEL AND	8
0503061868	400/60 WHEEL WITH TIRE	9
0501054501	WHEEL HUB	10
0909092070	HYDRAULIC CIRCUIT - 28/32/36/40	11
0909092071	HYDRAULIC CIRCUIT - 44/48	12
0501053834	MALE QUICK COUPLER	13
0909092072	GANG DISC - 28/32/36/40/44/48D	14
0511040113	AGRICULTURAL BEARING	15
0531041583	AGRICULTURAL BEARING	16
0531052860	AGRICULTURAL BEARING	17



Item	Code	Description	See page	28	32	36	40	44	48
01	0511060622	FRAME		01	01	01	01	00	00
02	0511060230	FRAME		00	00	00	00	01	01
02.	0511068299	FRAME		00	00	00	01	00	00
03	0502011724	INF BEARING SEMI		03	03	03	03	03	03
04	0502011725	UPPER BEARING SEMI		03	03	03	03	03	03
05	0503010002	1800 GREASE FITTING		06	06	06	06	06	06
06	0503010003	1845 GREASE FITTING		06	06	06	06	06	06
07	0503012222	FELT RING		06	06	06	06	06	06
08	0511816281	3/4" X 8" BOLT		06	06	06	06	06	06
09	0521013710	WASHER SEMIMAN		06	06	06	06	06	06
10	0503812183	NUT		12	12	12	12	12	12
11	0531041450	HYDRAULIC CYLINDER 63.5 X 127 X 630 X 300 SAC 4		01	01	01	01	00	00
12	0501048626	HYDRAULIC CYLINDER 53,98X101,6X730X400 - 5 (UNTIL 08/2021)		00	00	00	00	02	02
12.	0531041451	HYDR. CYLINDER 53,98X101,6X728X400 - (FROM 09/2021)		00	00	00	00	02	02
13	0511060625	AXLE WHEEL		01	01	01	00	00	00
14	0511060236	WHEEL AXLE		00	00	00	00	01	01
15	0521013778	PIN		01	01	01	01	02	02
16	0503012231	1/4" X 3" COTTERPIN		02	02	02	02	04	04
17	0521013777	PIN		01	01	01	01	02	02
18	0503012231	1/4" X 3" COTTERPIN		02	02	02	02	04	04
19	0521013738	PIN WITH HEAD		02	02	02	02	02	02
20	0503031479	STAPLE		02	02	02	02	02	02
21	0511060203	DRAWBAR ASSY		01	01	01	00	00	00
22	0511060231	DRAWBAR ASSY		00	00	00	00	01	01
23	0511050283	AXLE ASSY	2	01	01	01	00	00	00
24	0511050262	DRAWBAR ASSEMBLY	3	00	00	00	00	01	01
25	0521013814	1 U BOLT OF THE SUSPENSION TOWER		01	01	01	01	01	01
26	0511060626	STABILIZER BAR		01	01	01	00	00	00
27	0511060232	STABILIZER BAR		00	00	00	00	01	01
28	0521013812	PIN FREE HEAD		01	01	01	01	01	01

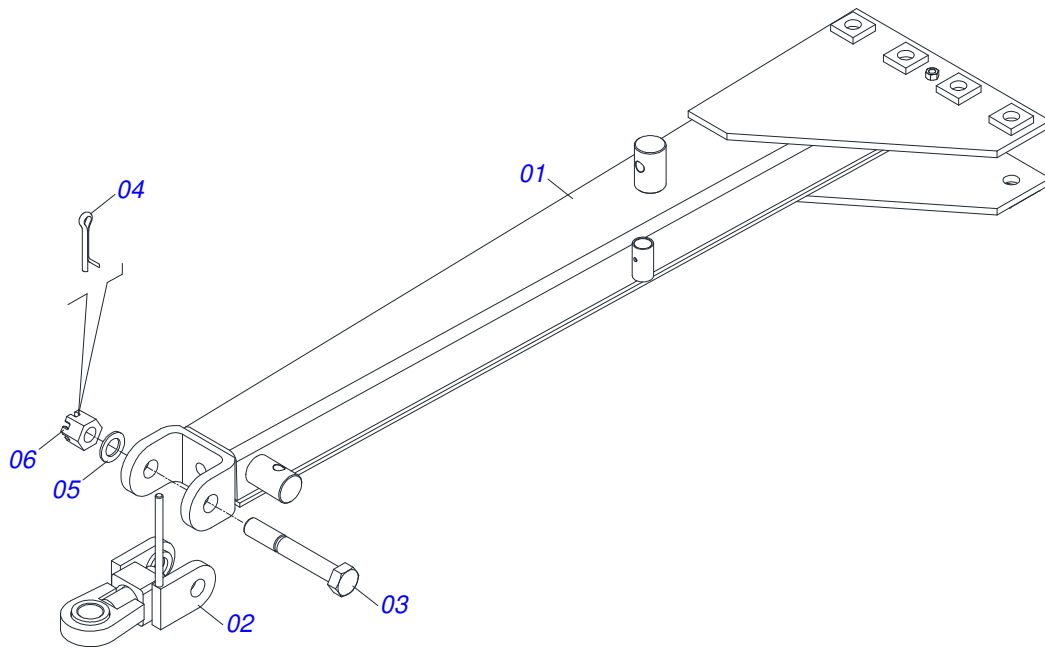
ASSY FRAME

Item	Code	Description	See page	28	32	36	40	44	48
29	0521013776	PIN SEM HEAD		02	02	02	02	02	02
30	0503012215	5/16" X 2-1/2" COTTERPIN		02	02	02	02	02	02
31	0503010362	1/8 X 1.1/4 COTTERPIN		01	01	01	01	01	01
32	0503031470	TM 251 X 4,0 STAPLE		02	02	02	02	02	02
33	0503031464	TM 211 X 3,0 STAPLE		01	01	01	01	01	01
34	0503012226	1-1/4" X 4" BOLT		01	01	01	01	01	01
35	0503010070	SPRING WASHER		01	01	01	01	01	01
36	0503012181	1.1/4" NUT		01	01	01	01	01	01
39	0503012174	1-1/4" X 8-1/4" BOLT		04	04	04	00	00	00
40	0503012181	1.1/4" NUT		04	04	04	00	00	00
41	0511060124	ASSEMBLY TIME		02	02	02	02	02	02
42	0521013759	PIN SPINDLE GUIDE		02	02	02	02	02	02
43	0521013760	SPRING SUPPORT		02	02	02	02	02	02
44	0503031460	SPRING		02	02	02	02	02	02
45	0502011582	SPINDLE GUIDE		02	02	02	02	02	02
46	0503012182	1" NUT		04	04	04	04	04	04
47	0501010125	3/4" X 2-1/2" BOLT		02	02	02	02	02	02
48	0503010023	3/4" SPRING WASHER		02	02	02	02	02	02
49	0503012183	SNC 3/4" ZIN 1K03097 NUT		02	02	02	02	02	02
50	0511060205	SUPPORT HOSE CNS 20104N		01	01	01	01	01	01
51	0502012702	BODY SUPPORT CLAMP		04	04	04	04	04	04
52	0503012231	1/4" X 3" COTTERPIN		01	01	01	01	01	01
53	0521067761	FRONT FRAME - 28		01	00	00	00	00	00
53.	0511060772	FRONT FRAME - 32		00	01	00	00	00	00
53..	0511060676	FRONT FRAME - 36		00	00	01	00	00	00
53...	0511060623	FRONT FRAME - 40		00	00	00	01	00	00
53....	0511060228	FRONT FRAME - 44		00	00	00	00	01	00
53.....	0511064587	FRONT FRAME - 48		00	00	00	00	00	01
54	0521067762	REAR FRAME - 28		01	00	00	00	00	00
54.	0511060771	REAR FRAME - 32		00	01	00	00	00	00
54..	0511060675	REAR FRAME - 36		00	00	01	00	00	00
54...	0511060624	REAR FRAME - 40		00	00	00	01	00	00
54....	0511060229	REAR FRAME - 44		00	00	00	00	01	00
54.....	0511064586	REAR FRAME - 48		00	00	00	00	00	01
55	0511048088	DRAWBAR JACK	7	01	01	01	01	01	01
56	0561014251	COUPLING SHAFT		01	01	01	01	01	01
57	0503030012	HITCH PIN CLIP		01	01	01	01	01	01
58	0591017575	TRANSPORT LOCK		01	01	01	00	00	00
59	0521013818	STRENGTHENING GL 41005 3281218		04	04	04	04	04	04
60	0591018174	TRANSPORT LOCK FASTENER		01	01	01	01	02	02
61	0503031464	TM 211 X 3,0 STAPLE		01	01	01	01	02	02
62	0503012257	1" X 4-1/4" BOLT		08	08	08	08	08	08
63	0521013709	REINFORCING WASHER		16	16	16	16	16	16
64	0503012182	1" NUT		16	16	16	16	16	16
65	0502012702	BODY SUPPORT CLAMP		04	04	04	04	04	04
66	0531011180	UPPER BODY CLIP		02	02	02	02	02	02
67	0503012555	SCREW 7/16 UNC X 2 CS RT G.7 ZN		05	05	05	05	05	05
68	0503010180	7/16" SPRING WASHER		05	05	05	05	05	05
69	0511064004	WRENCH		01	01	01	00	00	00
70	0501011431	1-3/4" GANG BOLT WRENCH		02	02	02	02	00	00
71	0531013656	WRENCH		00	00	00	00	01	01
72	0511060235	WRENCH TO WHEEL		00	00	00	00	01	01
73	0501011431	1-3/4" GANG BOLT WRENCH		00	00	00	00	02	02
74	0511060122	SAC 31000 SCRAPER		16	20	24	28	32	36
75	0503012682	1/2" BSW NUT		32	40	44	48	52	56
76	0503010019	1/2" SPRING WASHER		32	40	44	48	52	56
77	0503019588	BOLT		32	40	44	48	52	56
78	0503060091	L29.5"X0.63"-10L WHEEL AND	8	04	04	04	04	04	04
78.	0503061868	400/60 WHEEL WITH TIRE	9	00	00	00	00	00	02

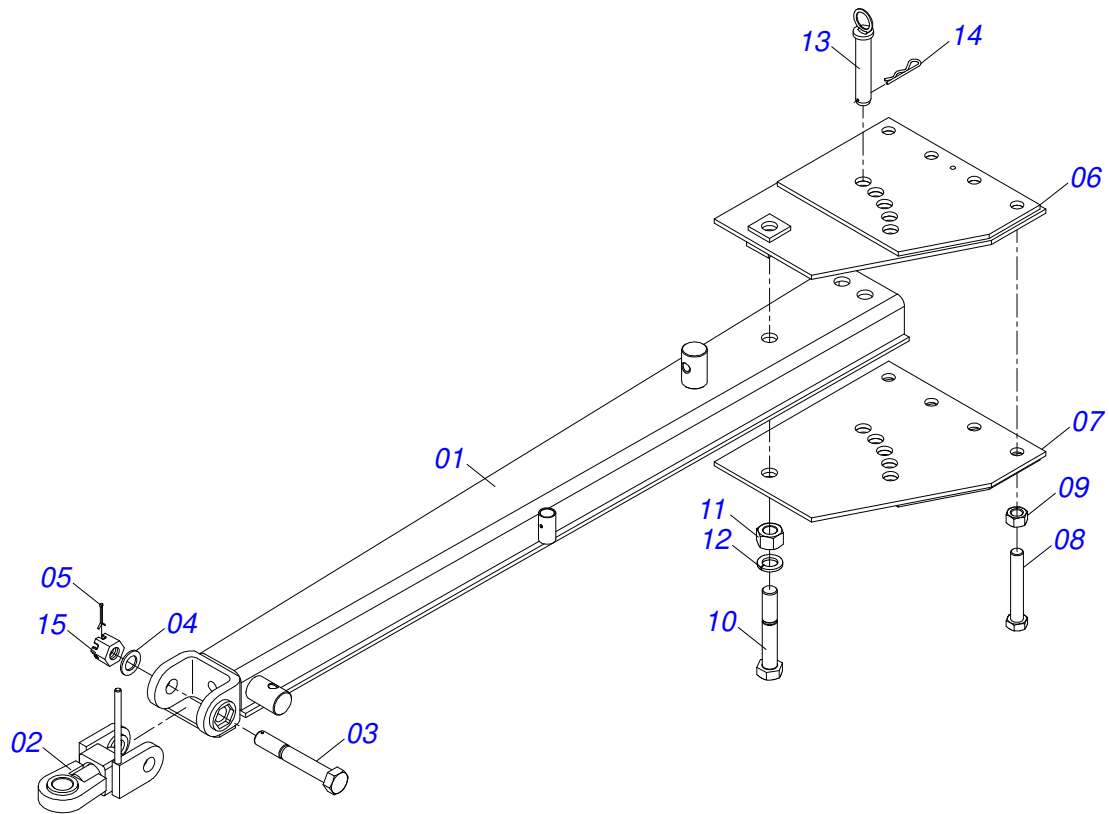
ASSY FRAME

0909092065

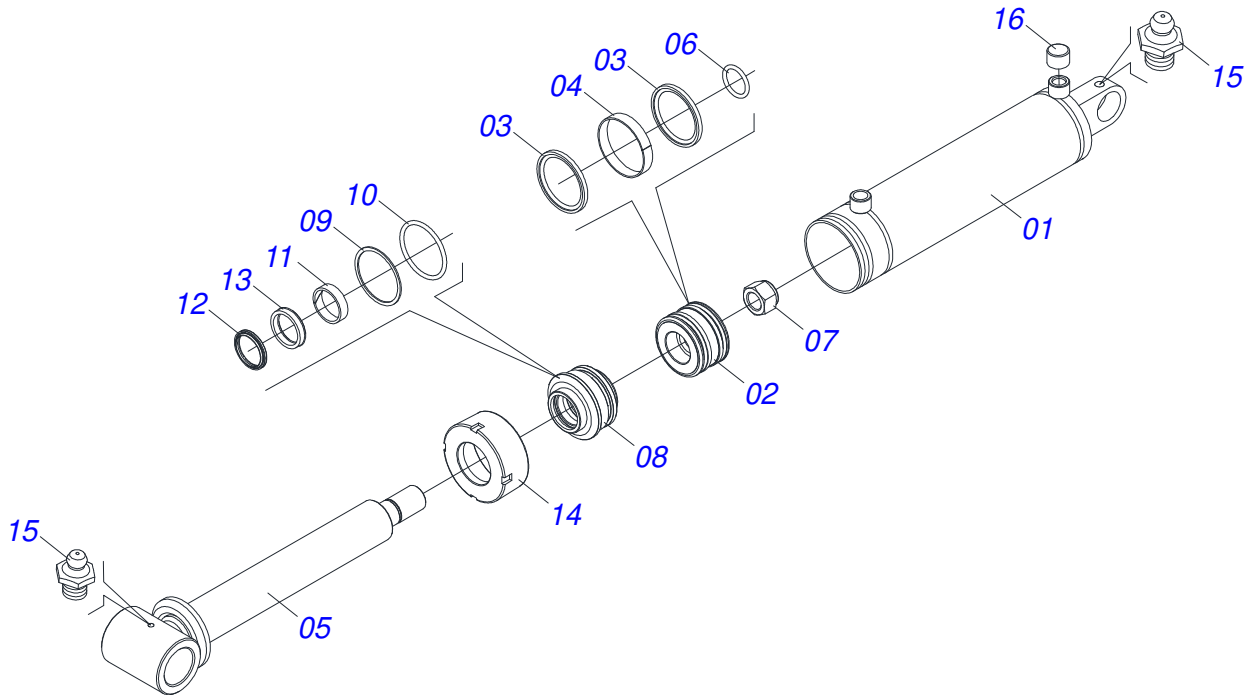
Item	Code	Description	See page	28	32	36	40	44	48
78..	0503060263	7.50 WHEEL WITH TIRE		00	00	00	00	01	01
79	0501054501	WHEEL HUB	10	04	04	04	04	04	04
80	0909092070	HYDRAULIC CIRCUIT - 28/32/36/40	11	01	01	01	01	00	00
80.	0909092071	HYDRAULIC CIRCUIT - 44/48	12	00	00	00	00	01	01
81	0503033324	BADGE		02	02	02	02	02	02
82	0503031738	ADHESIVE LABEL		01	01	01	01	01	01
83	0503033038	DANGER SIGN		02	02	02	02	02	02
84	0503031428	READ MANUAL DECAL		01	01	01	01	01	01
85	0503033647	APPROVED BADGE		01	01	01	01	01	01
86	0503031739	ADHESIVE LABEL		01	01	01	01	01	01
87	0503033244	ADHESIVE LABEL		02	02	02	02	02	02
88	0503034004	ALUMINUM IDENTIFICATION LABEL		01	01	01	01	01	01
89	0503010001	3.2 X 5.5 RIVET		04	04	04	04	04	04
90	0521013774	GVMF LOCK		01	01	01	01	01	01
91	0503019212	BOLT		02	02	02	02	02	02
92	0521014368	FLAT WASHER		02	02	02	02	02	02
93	0502011692	3442029 NUT		02	02	02	02	02	02
94	0909092072	GANG DISC - 28/32/36/40/44/48D	14	01	01	01	01	01	01



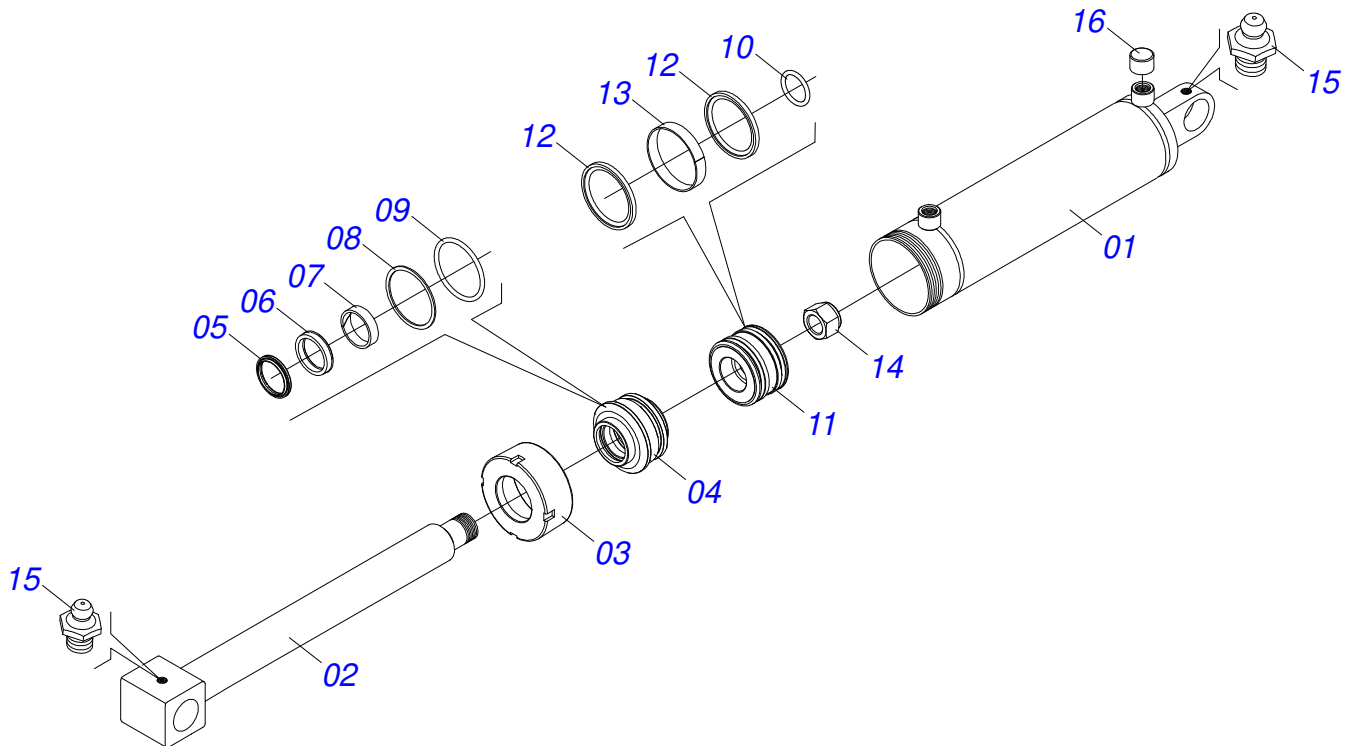
Item	Code	Description	See page	QT
01	0511060529	AXLE		01
02	0511063351	HITCH		01
03	0521013739	BOLT HARNESS		01
04	0503010010	1/4" X 2.1/2" COTTERPIN		01
05	0501012916	FLAT WASHER 40 X 66 X 4,75 ZN		01
06	0502011592	CASTLE NUT		01



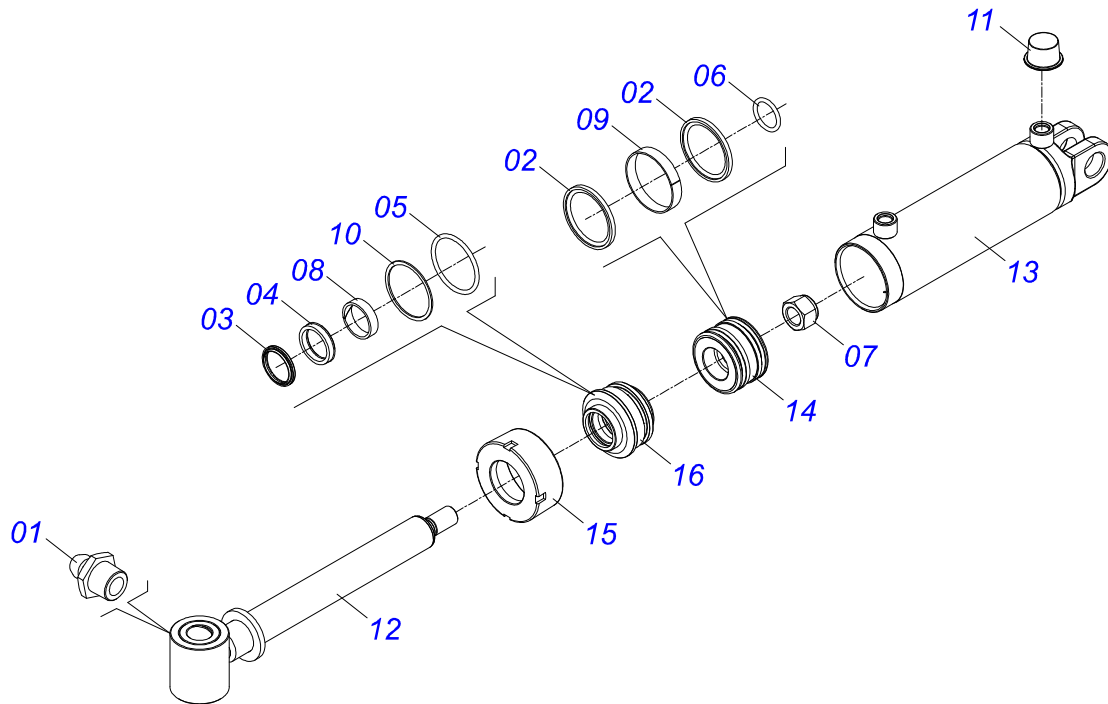
Item	Code	Description	See page	QT
01	0511060300	DRAWBAR		01
02	0521068888	TRACTOR HITCH BODY		01
03	0521013739	BOLT HARNESS		01
04	0501812916	FLAT WASHER		01
05	0503010067	3/16" X 2.1/2" COTTER PIN		01
06	0511060301	PLATE HITCH		01
07	0511060302	PLATE HITCH		01
08	0503012192	1-1/4" X 8 BOLT		04
09	0503012181	1.1/4" NUT		04
10	0503012258	1-1/2" X 9" BOLT		01
11	0501810110	1.1/2 NC 6FPP NUT		01
12	0503013627	1.1/2 SPRING WASHER		01
13	0511060146	PIN FIXER		01
14	0503031479	STAPLE		01
15	0502011592	CASTLE NUT		01



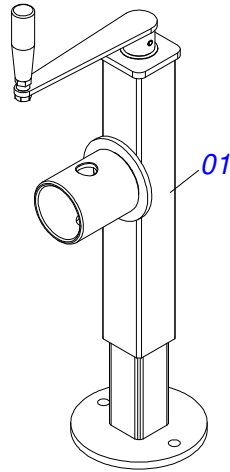
Item	Code	Description	See page	QT
01	0511062260	CYLINDER CASE		01
02	0502010965	2.5" X 5" PISTON		01
03	0503010552	PACKING 3750-4250-625-B		02
04	0503010974	W2-5000-500 RING		01
05	0531062831	EXTENDER 63.5 X 493 SAC		01
06	0503010285	2-222 N 3006-9B O'RING		01
07	0503010290	SELF ADJUSTING 1.1/2" UNF NUT		01
08	0502010966	2.5" X 5" RING SUPPORT		01
09	0503011062	8-425 BACK-UP RING		01
10	0503010351	2-425 N 3006-9B O'RING		01
11	0503010971	W2-2750-500 PK RING G.I		01
12	0503010288	PACKING 2500-2500-375-B		01
13	0503010287	D-2500 SCRAPER RING		01
14	0502010382	5" END CAP		01
15	0503010002	1800 GREASE FITTING		02
16	0503030384	CON PLUG N-001		02



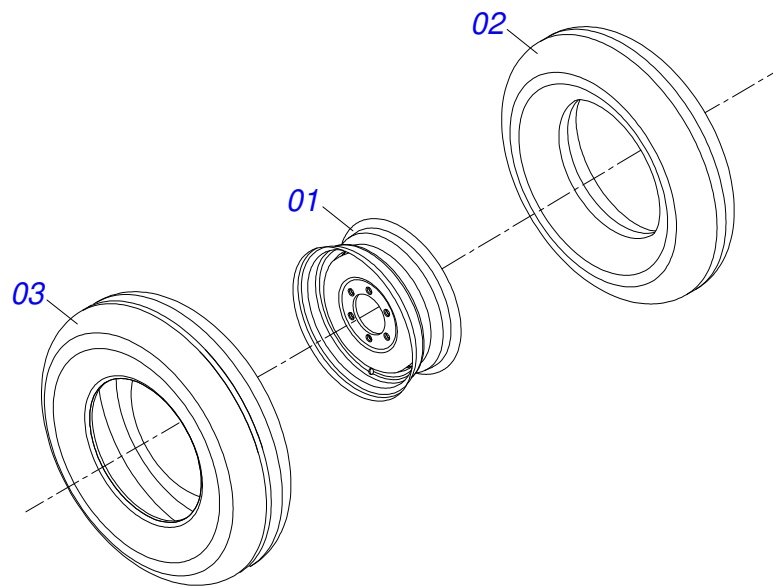
Item	Code	Description	See page	QT
01	0511062253	CYLINDER CASE		01
02	0511062249	53,98 X 609 TURNBUCKLE		01
03	0502010017	4" HEAD		01
04	0502011250	RING OF SUPPORT		01
05	0503010319	D-2125 SCRAPER		01
06	0503010314	GASKET		01
07	0503010973	W2-2500-500 PK O'RING G.E		01
08	0503011061	8-342 BACK-UP RING		01
09	0503010338	2-342 N 3006-9B O'RING		01
10	0503010345	2-218 N 3006-9B O'RING		01
11	0502011969	53,98 X 101,60 PISTON		01
12	0503010043	PACKING 3750-3250		02
13	0503010994	W2-4000-500 PK RING G.E		01
14	0503010817	1.1/4" SELF LOCKING NUT		01
15	0503010002	1800 GREASE FITTING		02
16	0503030384	CON PLUG N-001		02



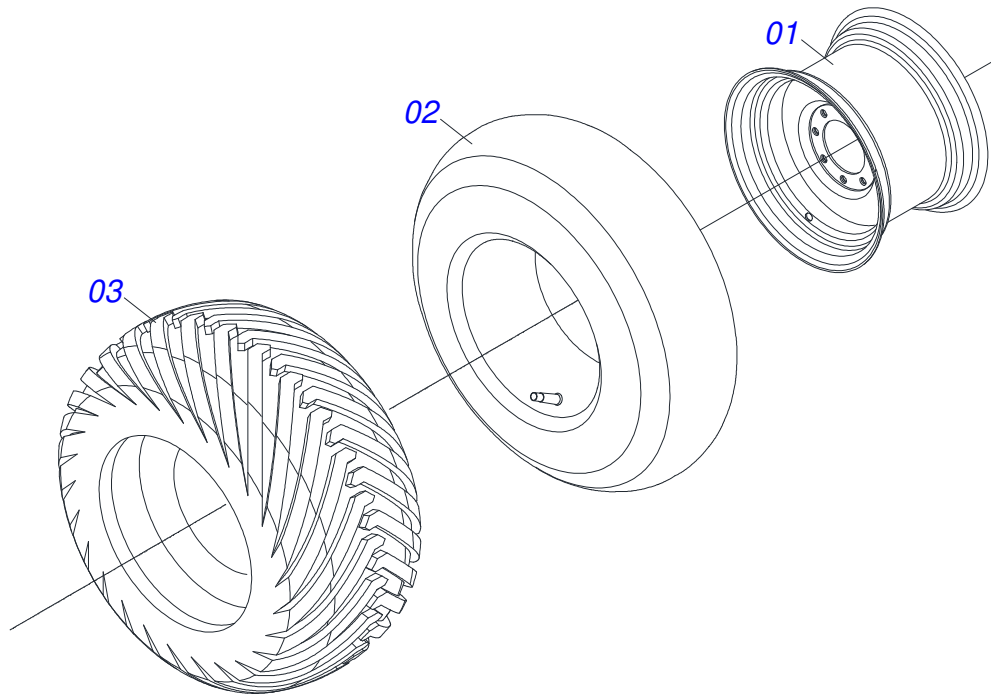
Item	Code	Description	See page	QT
01	0503010002	1800 GREASE FITTING		02
02	0503010043	PACKING 3750-3250		02
03	0503010314	GASKET		01
04	0503010319	D-2125 SCRAPER		01
05	0503010338	2-342 N 3006-9B O'RING		01
06	0503010345	2-218 N 3006-9B O'RING		01
07	0503010817	1.1/4" SELF LOCKING NUT		01
08	0503010973	W2-2500-500 PK O'RING G.E		01
09	0503010994	W2-4000-500 PK RING G.E		01
10	0503011061	8-342 BACK-UP RING		01
11	0503030384	CON PLUG N-001		02
12	0531062835	EXTENDER 53.98 X 609		01
13	0511062253	CYLINDER CASE		01
14	0502011969	53,98 X 101,60 PISTON		01
15	0502010017	4" HEAD		01
16	0502011250	RING OF SUPPORT		01



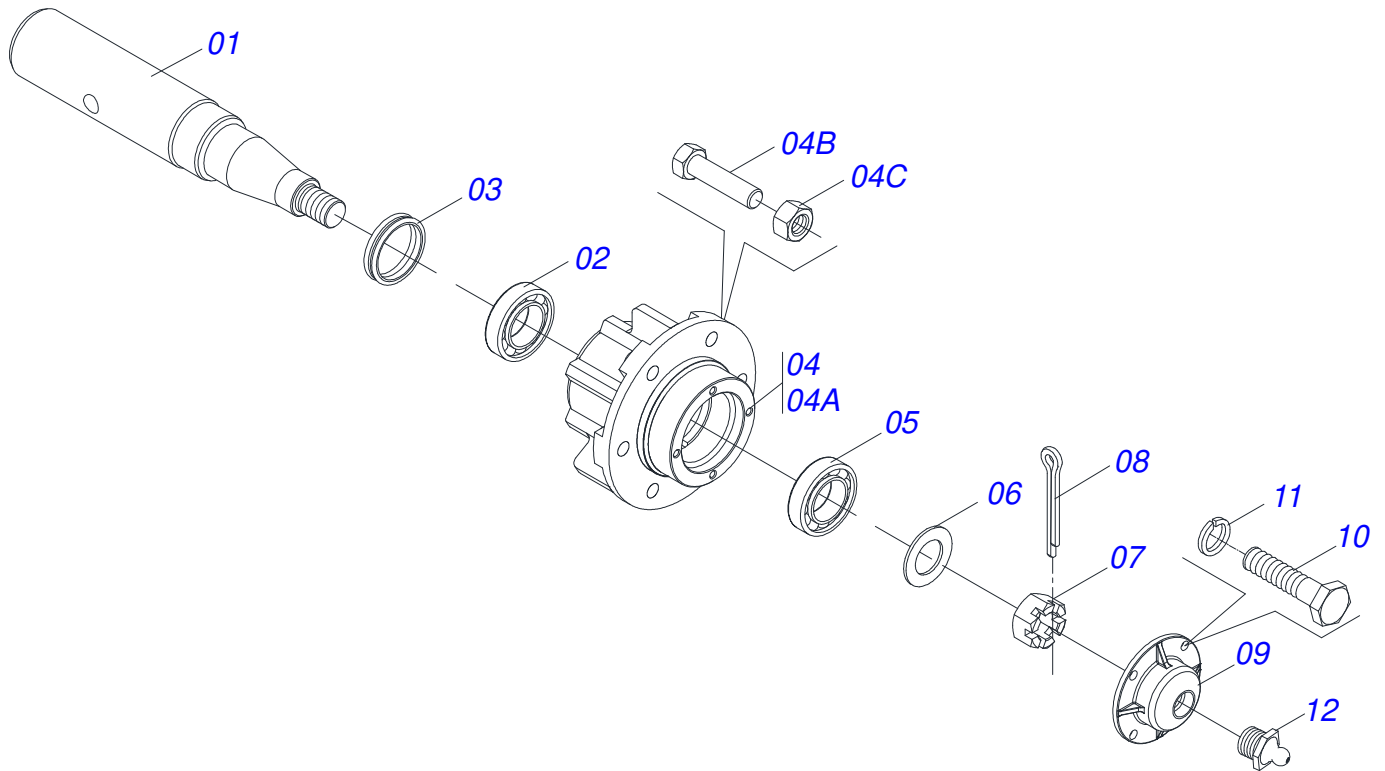
Item	Code	Description	See page	QT
01	0503062227	DRAWBAR JACK		01



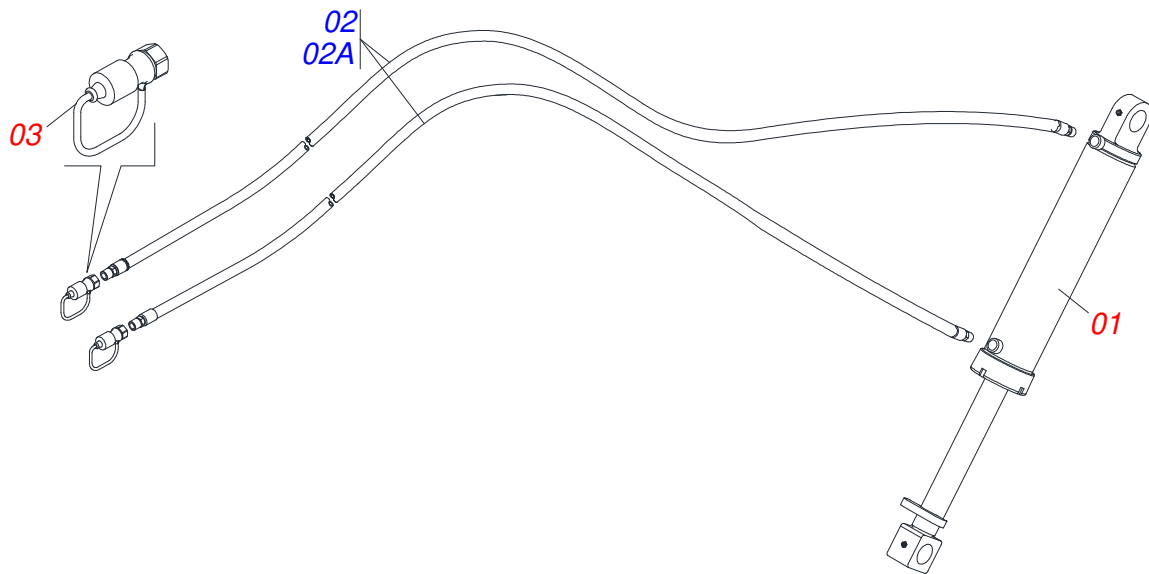
Item	Code	Description	See page	QT
01	0503010893	WHEEL		01
02	0503010033	7.50 X 16 INNER TIRE		01
03	0503010120	CANVAS TIRE		01



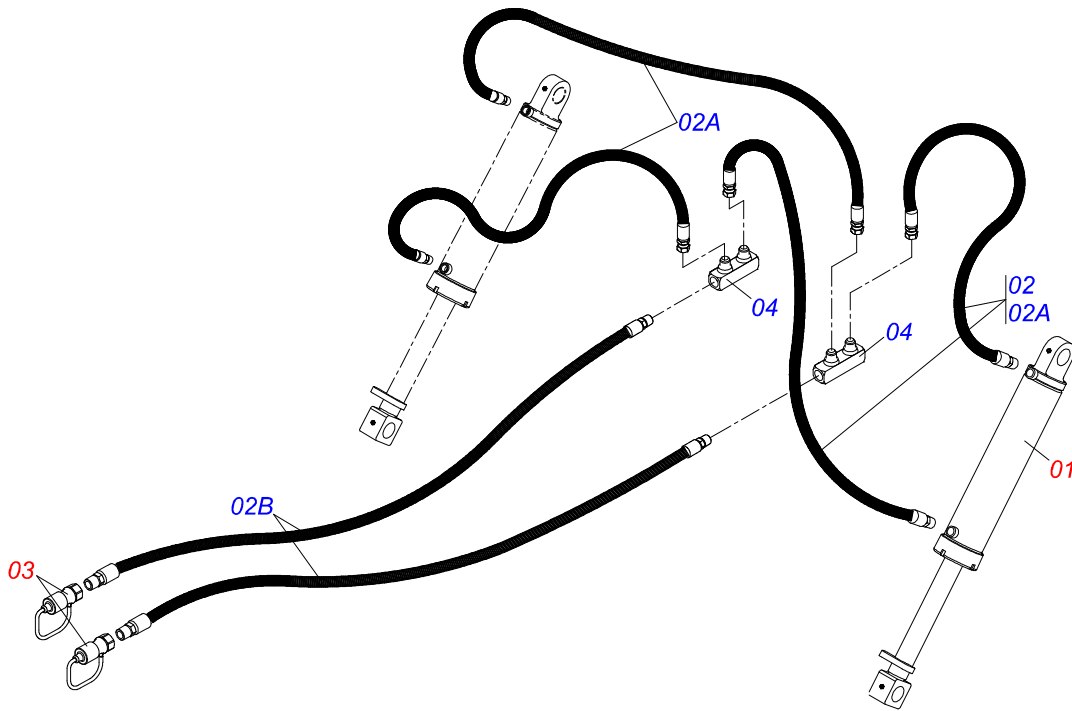
Item	Code	Description	See page	QT
01	0503012916	W-13 X 16,5 HOOP WHEEL		01
02	0503012112	400/60 - 15.5 TR 15 INNER TIRE		01
03	0503013119	CANVAS TIRE		01



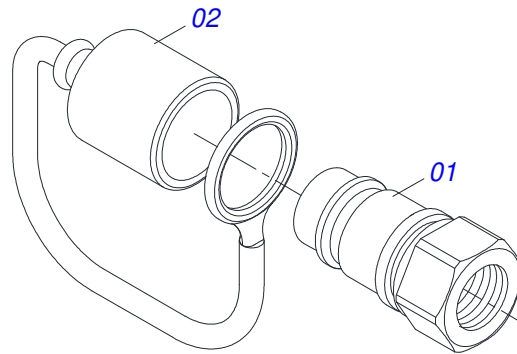
Item	Code	Description	See page	QT
01	0531018161	AXLE		01
02	0503010006	32210 ROLLER BEARING		01
03	0503012928	SEAL		01
04	0501110728	WHEEL HUB		01
04A	0502011121	CARRYING WHEEL HUB		01
04B	0501010127	9/16" X 1-7/8" LUG BOLT		06
04C	0503010035	9/16" CONIC NUT		06
05	0503010037	30207 ROLLER BEARING		01
06	0501016545	FLAT WASHER		01
07	0503030009	1" CASTLE NUT		01
08	0503010018	5/32 X 1-1/2 COTTERPIN		01
09	0502020591	PROTECCION COVER		01
10	0503010358	5/16" X 5/8" BOLT		04
11	0503011444	SPRING WASHER		04
12	0503010002	1800 GREASE FITTING		01



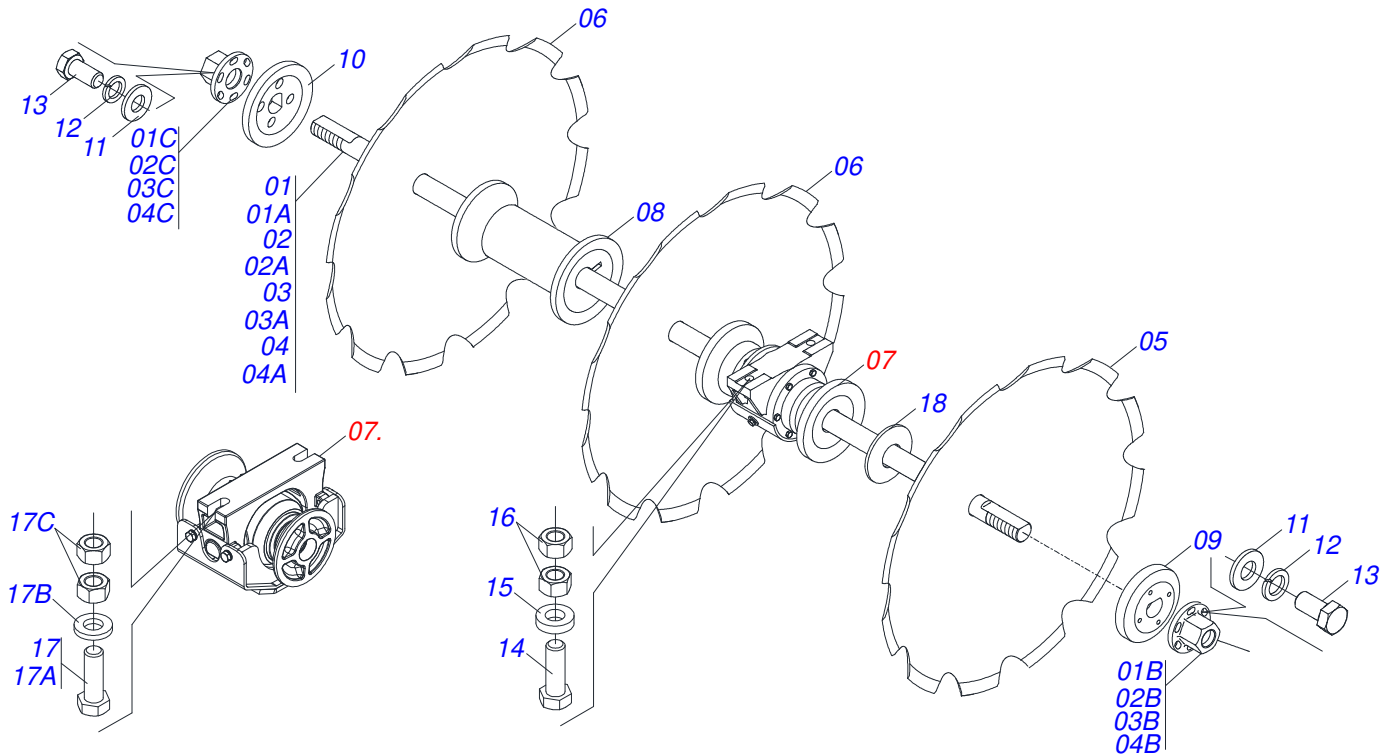
Item	Code	Description	See page	28	32	36	40
01	0501048883	HYDRAULIC CYLINDER		01	01	01	01
02	0511050536	HOSE KIT		01	01	01	01
02A	0501080814	HOSE		02	02	02	02
04	0501053834	MALE QUICK COUPLER	13	02	02	02	02



Item	Code	Description	See page	44 48
01	0501048626	HYDRAULIC CYLINDER 53,98X101,6X730X400 - 5		02 02
02	0501053213	HOSE KIT		01 01
02A	0501080852	3/8" X 1500 TR-TM HOSE		04 04
02B	0501080815	TM-TM HOSE ASSY		02 02
03	0501053834	MALE QUICK COUPLER	13	02 02
04	0501074276	TERMINAL CONNECTION		02 02

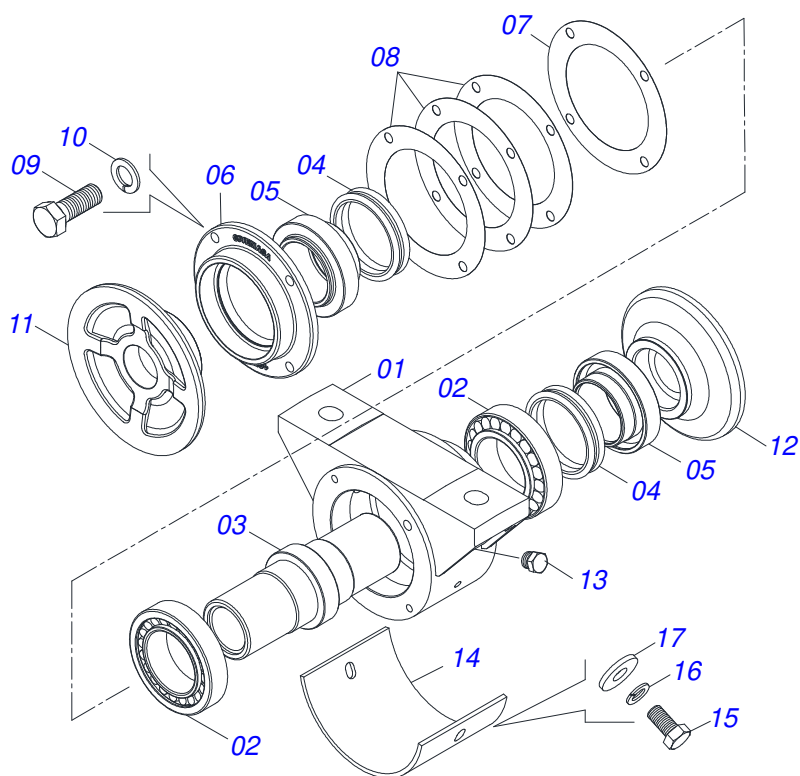


Item	Code	Description	See page	QT
01	0503011627	MALE QUICK COUPLER AGR 1/2 NPT		01
02	0503011882	MALE QUICK COUPLER CAP		01

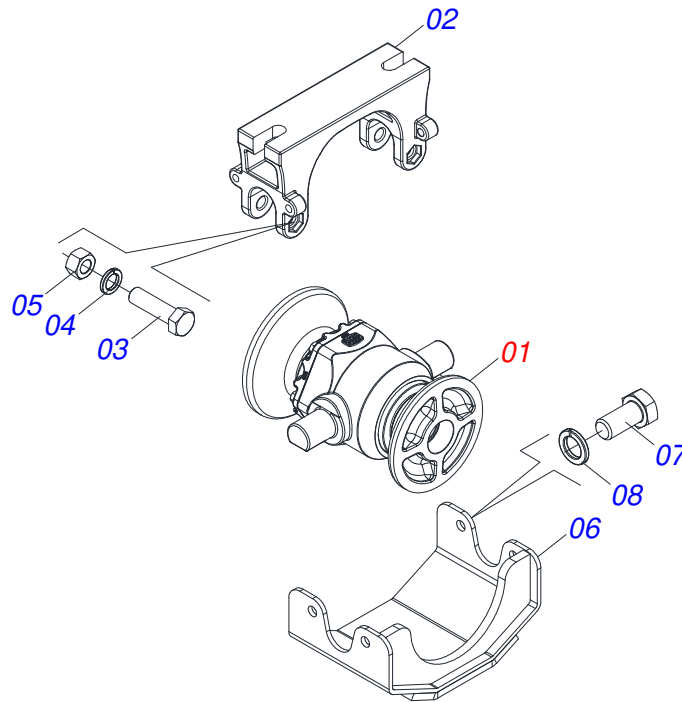


Item	Code	Description	See page	28	32	36	40	44	48
01	0511050238	AXLE DISC		00	04	00	00	04	00
01A	0521013844	AXLE DISC		00	04	00	00	04	00
01B	0502011574	RIGHT NUT		00	04	06	06	04	08
01C	0502011575	LEFT NUT		00	04	06	06	04	08
02	0511050216	1.3/4UNC X 1567 AXLE ASSY		00	00	06	02	02	08
02A	0521013681	AXLE		00	00	01	01	01	01
02B	0502011574	RIGHT NUT		00	00	01	01	01	01
02C	0502011575	LEFT NUT		00	00	01	01	01	01
03	0511050175	1.3/4 UNC X 1837 AXLE DISC ASSY		00	00	00	04	00	00
03A	0521013682	AXLE		00	00	00	01	00	00
03B	0502011574	RIGHT NUT		00	00	00	01	00	00
03C	0502011575	LEFT NUT		00	00	00	01	00	00
04	0521050899	AXLE 1.3/4 X 1820		04	00	00	00	00	00
04A	0581014223	AXLE DISC 1.3/4 X 1820		01	00	00	00	00	00
04B	0502011574	RIGHT NUT		01	00	00	00	00	00
04C	0502011575	LEFT NUT		01	00	00	00	00	00
05	0602037194	DR28X7,5 C102AF02FR1.13/16 10R		28	00	00	00	00	00
05.	0602033006	26" X 0.2" NOTCHED DISC BLADE		00	32	36	40	44	48
06	0602037001	28" X 7,5MM NOTCHED DISC BLADE		28	32	36	40	44	48
06.	0602040041	30X7,5 C105AF04FR1.13/16 10R T/CV NOTCHED DISC		28	00	00	00	00	00
07	0511040113	AGRICULTURAL BEARING	15	12	12	12	12	16	16
07.	0531041583	AGRICULTURAL BEARING	16	12	32	00	00	00	00
08	0502011576	3390172 SPACER		12	16	18	22	22	24
09	0502011573	OUTER FLANGE		04	04	06	06	06	08
10	0502011572	BEARING INNER FLANGE		04	04	06	06	06	08
11	0501010937	13,50 X 28 X 3,00 FLAT WASHER		16	16	24	24	24	32
12	0503010019	1/2" SPRING WASHER		16	16	24	24	24	32
13	0503010834	1/2 X 1 BOLT		16	16	24	24	24	32
14	0503010901	3/4UNC 3.1/2 BOLT		16	16	24	24	24	32
15	0521013709	REINFORCING WASHER		16	16	24	24	24	32
16	0503012182	1" NUT		48	48	48	48	64	64

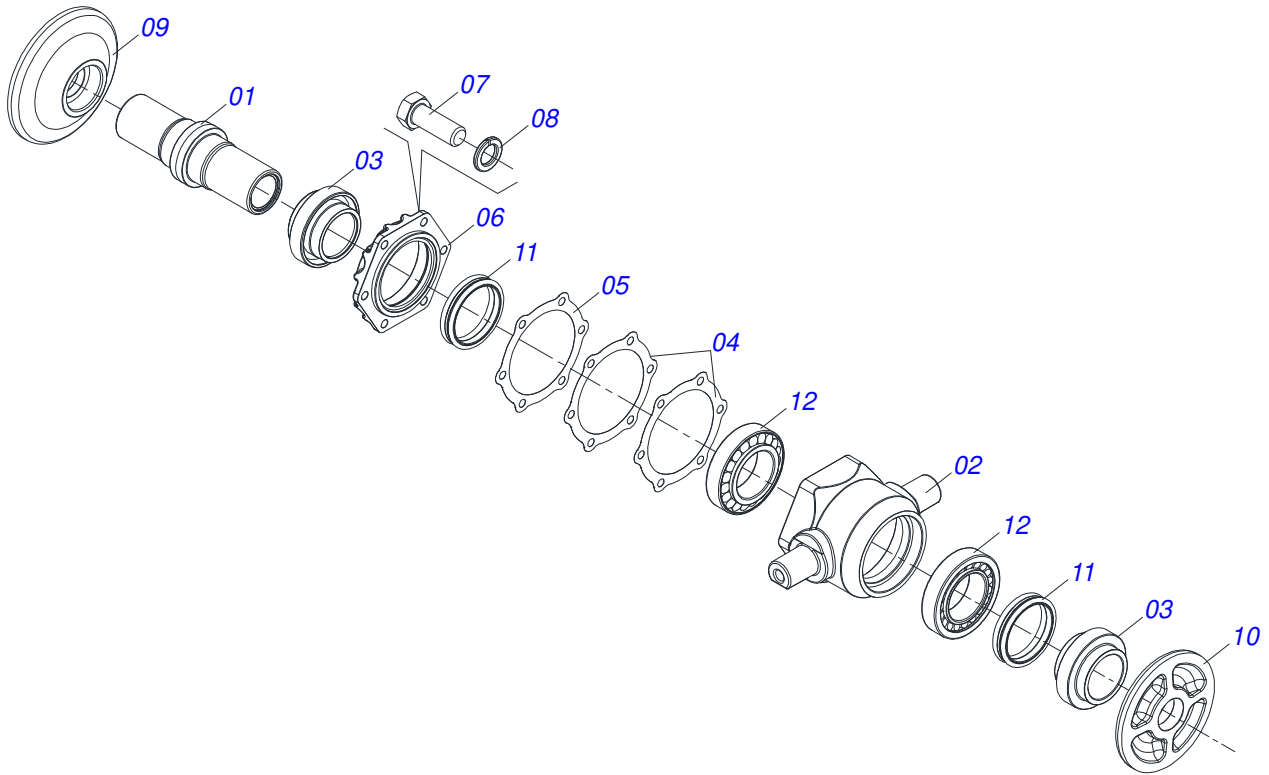
Item	Code	Description	See page	28	32	36	40	44	48
17	0521047424	SCREW ASSY		24	24	00	00	00	00
17A	0501010500	3/4"X3"BOLT		01	01	00	00	00	00
17B	0501010322	FLAT WASHER		01	01	00	00	00	00
17C	0503012183	SNC 3/4" ZIN 1K03097 NUT		02	02	00	00	00	00
18	0521013672	GVC 27900 CHOCK		04	04	06	06	06	06



Item	Code	Description	See page	QT
01	0502011965	BEARIN BODY	01	
02	0503010104	3984/3920 ROLLER BEARING	02	
03	0502010824	AXLE CM/DM	01	
04	0503030027	DUO-CONE SEAL	02	
05	0502010823	SEAL RETAINER	02	
06	0502011966	BEARING COVER	01	
07	0503031685	JOINT BEARIN	01	
08	0503031686	JOINT BEARIN	03	
09	0503010237	3/8" X 1" BOLT	04	
10	0503011443	3/8" SPRING WASHER	04	
11	0502040141	OUTER FLANGE	01	
12	0502040142	INNER FLANGE	01	
13	0503010856	OIL PLUG	01	
14	0521013856	PLATE PROTECTION	01	
15	0503011334	BOLT 3/8 UNC X 3/4 CS G.5 ZN	02	
16	0503010025	3/8 SPRING WASHER	02	
17	0501010984	10,50 X 27 X 3,00 FLAT WASHER	02	



Item	Code	Description	See page	QT
01	0531052860	AGRICULTURAL BEARING	17	01
02	0502013013	SUPPORT CENTER		01
03	0503010762	SCREW 5/8 UNC X 3.1/2 CS G.5 ZN		02
04	0503010013	5/8 NUT		02
05	0503010027	5/8 SPRING WASHER		02
06	0521067341	BEARING SWING COVER WITH ENHANCED		01
07	0503010834	1/2 X 1 BOLT		04
08	0503010019	1/2" SPRING WASHER		04



Item	Code	Description	See page	QT
01	0502010824	AXLE CM/DM		01
02	0502012343	AGRICULTURAL HOUSING BEARING		01
03	0502010823	SEAL RETAINER		02
04	0503030030	5.6" X 4.4" X 0.01" GASKET		02
05	0503030685	5.5" X 4.4" X 0.003" GASKET		01
06	0502020161	WEAR PLATE BEARING		01
07	0503010237	3/8" X 1" BOLT		06
08	0503011443	3/8" SPRING WASHER		06
09	0502040141	OUTER FLANGE		01
10	0502040142	INNER FLANGE		01
11	0503030027	DUO-CONE SEAL		02
12	0503010104	3984/3920 ROLLER BEARING		02
13	3402301275	TATU OIL		00



civemasa

Technical Publications | Elaboration and Revision
ALESSANDRA PATRICIA KAWAHARA CARRILI

www.civemasa.com.br

