

PARTS CATALOGUE

DISK HARROWS

Code:

0501091757

Product:

SIC 14/16/18/20/22/24/26/28/30D - AXIS 1.3/4"



Series:

S-0216

Revision:

00

Revision Date:

SETEMBRO/2016

PRODUCTS

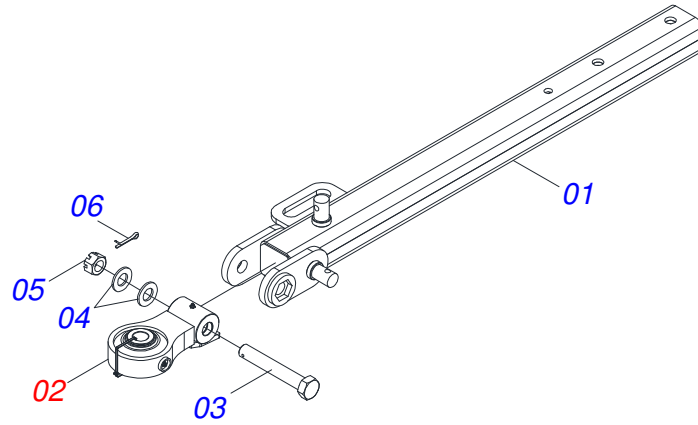
Code	Description
0121140057	SIC 14 X 26 X 6,00 DM C/PROT EIXO 1.3/4 S-0216
0121140059	SIC 14 X 28 X 6,00 DM C/PROT EIXO 1.3/4 S-0216
0121140044	SIC 14 X 28 X 6,00 DM C/PROT EIXO 1.3/4 S-0216
0121140048	SIC 14 X 28 X 7,5 DM C/PROT EIXO 1.3/4 S-0216
0121140058	SIC 16 X 28 X 6,00 DM C/PROT EIXO 1.3/4 S-0216
0121140053	SIC 16 X 28 X 7,50 DM C/PROT EIXO 1.3/4 S-0216
0121140061	SIC 18 X 26 X 6,00 DM C/PROT EIXO 1.3/4 S-0216
0121140049	SIC 18 X 28 X 6,00 DM C/PROT EIXO 1.3/4 S-0216
0121140051	SIC 18 X 28 X 7,50 DM C/PROT EIXO 1.3/4 S-0216
0121140052	SIC 20 X 28 X 6,00 DM C/PROT EIXO 1.3/4 S-0216
0121140062	SIC 20 X 28 X 7,5 DM C/PROT EIXO 1.3/4 S-0216
0121140063	SIC 22 X 28 X 7,5 DM C/PROT EIXO 1.3/4 S-0216
0121140093	SIC 24 X 26 X 6,00 DM EIXO 1.3/4 S-0216
0121140054	SIC 24 X 28 X 6,00 DM C/PROT EIXO 1.3/4 S-0216
0121140046C	SIC 24 X 28 X 7,50 DM C/PROT EIXO 1.3/4 EXP S-0216
0121140046	SIC 24 X 28 X 7,50 DM C/PROT EIXO 1.3/4 S-0216
0121140064	SIC 26 X 28 X 6,00 DM C/PROT EIXO 1.3/4 S-0216
0121140045	SIC 26 X 28 X 7,50 DM C/PROT EIXO 1.3/4 S-0216
0121140047	SIC 28 X 28 X 6,00 DM C/PROT EIXO 1.3/4 S-0216
0121140043	SIC 28 X 28 X 7,50 DM C/PROT EIXO 1.3/4 S-0216
0121140043C	SIC 28 X 28 X 7,50 DM C/PROT EIXO 1.3/4 EXP S-0216
0121140050	SIC 30 X 28 X 7,50 DM C/PROT EIXO 1.3/4 S-0216

ATTENTION: IMPORTANT

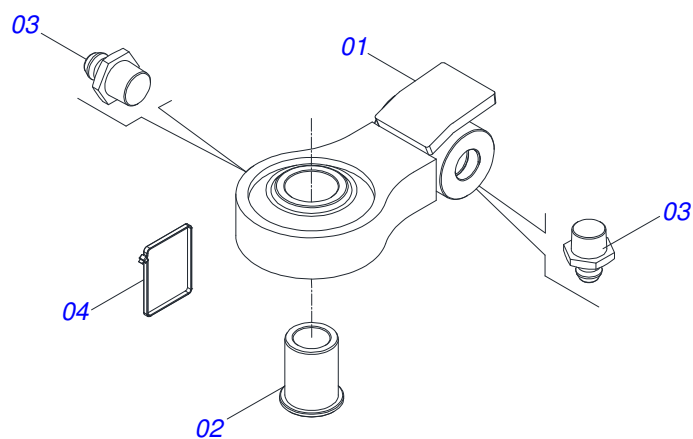
Civemasa reserves the right to improve and / or modify the technical features of its products, without obligation to do the same with those products already sold and without prior knowledge of the dealer or the consumer.

INDEX

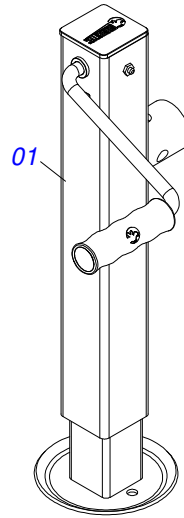
0909092059	FRAME ASSY - 14/16/18/20/22/24/26/28/30D	1
0521048502	ASSY TRACTION BAR	2
0521053943	HITCH WITH ASSY ROTULA SUPPORT	3
0511041259	DRAWBAR JACK ASSY	4
0511058298	HYDRAULIC CYLINDER	5
0511059180	HYDRAULIC CYLINDER	6
0501051634	TSTUB SHAFT & HUB ASSY	7
0909092060	DISC GANG SECTION - 14/16/18/20/22/24/26/28/30D	8
0511041509	AGRICULTURAL BEARING	9
0511040113	AGRICULTURAL BEARING	10



Item	Code	Description	See page	QT
01	0521069165	DRAWBAR ASSY		01
02	0521053943	HITCH WITH ASSY ROTULA SUPPORT	3	01
03	0581015973	1.1/4 UNC X 8 C S G5 SCREW		01
04	0501017779	32 X 60 X 4.75 FLAT WASHER		02
05	0503013026	1.1/4" CASTLE NUT		01
06	0503010010	1/4" X 2.1/2" COTTERPIN		01

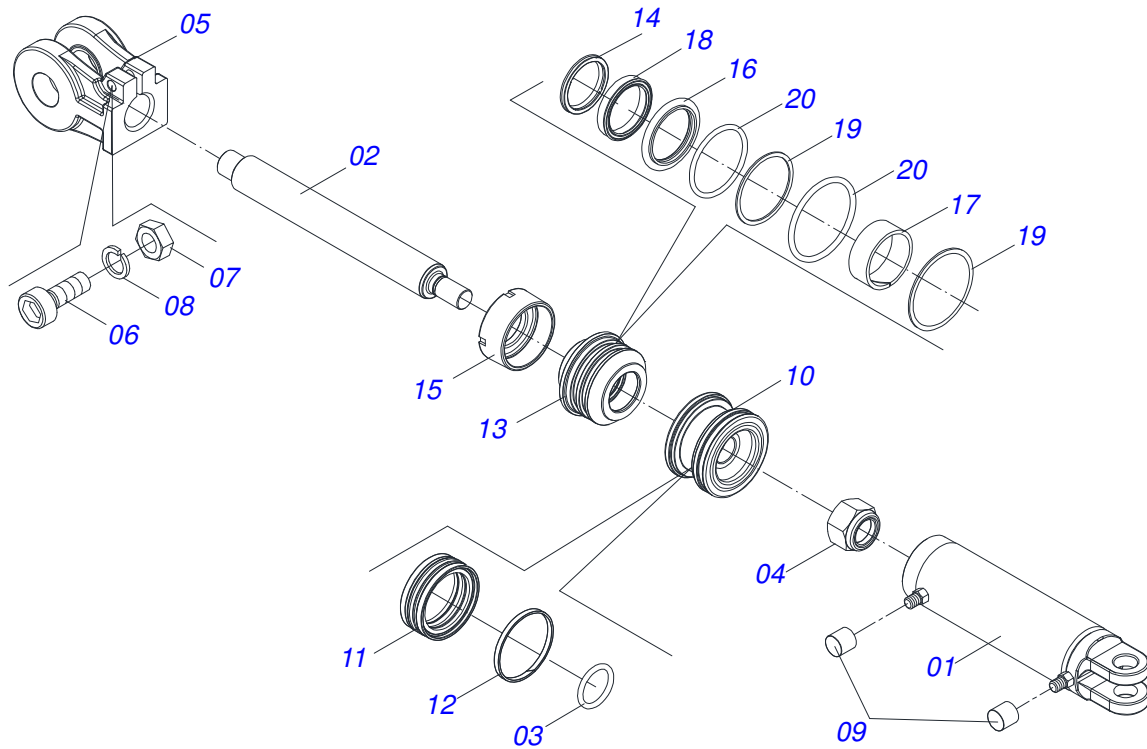


Item	Code	Description	See page	QT
01	0521069166	HITCH		01
02	0581018413	SLEEVE		01
03	0503010002	1800 GREASE FITTING		02
04	0503016033	4.8 X 1.3 X 300 MM NYLON CLAMP		01



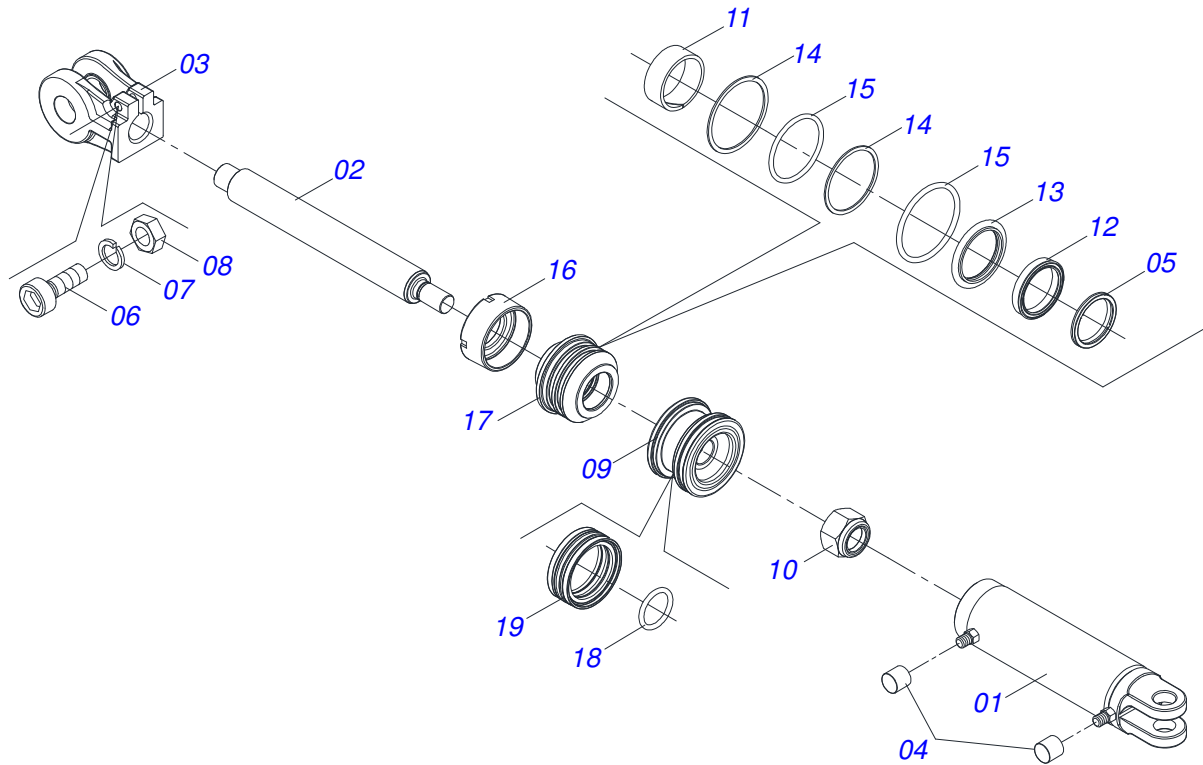
Item	Code	Description	See page	QT
01	0503062157	HEADER JACK		01

HYDRAULIC CYLINDER

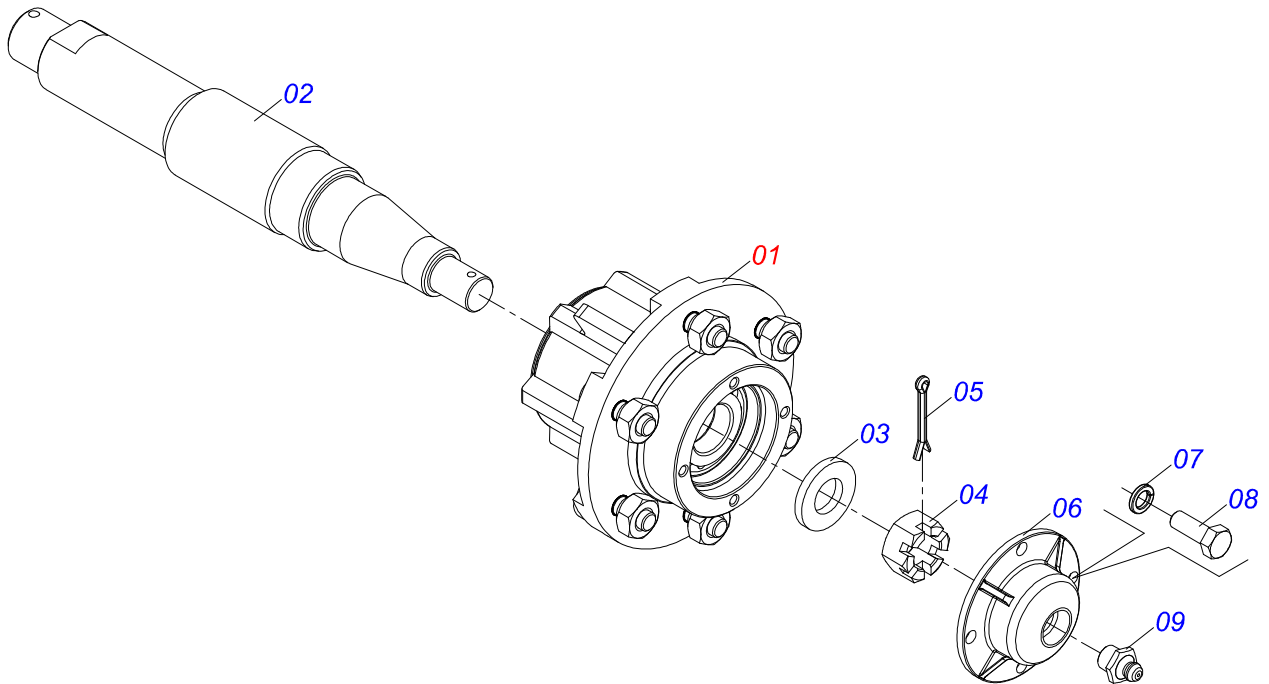


Item	Code	Description	See page	QT
001	0511061588	3.4" X 16" CYLINDER CASE		01
002	0521010421	HYDRAULIC CYLINDER TURNBUCKLE		01
003	0503010042	2-214 N 3006-9B O'RING		01
004	0503010063	1" SELF-ALIGNING NUT		01
005	0502040747	32.54 CLEVIS CLAMP		01
006	0503011094	3/8" X 2" BOLT		01
007	0503010026	3/8" NUT		01
008	0503010025	3/8" SPRING WASHER		01
009	0503030385	CYLINDER PLUG N-002		02
010	0571019710	1.7" X 3.4" PISTON		01
011	0503017935	RING		01
012	0503018144	RING		01
013	0571019711	RING SUPPORT		01
014	0503010761	D-1750 SCRAPER RING		01
015	0571019709	DETACHABLE COVER		01
016	0503017936	RING		01
017	0503017938	RING GUIDE		01
018	0503017937	GASKET		01
019	0503017940	8-337 BACK-UP RING		02
020	0503017939	2-337 N 3006-9B O' RING		02

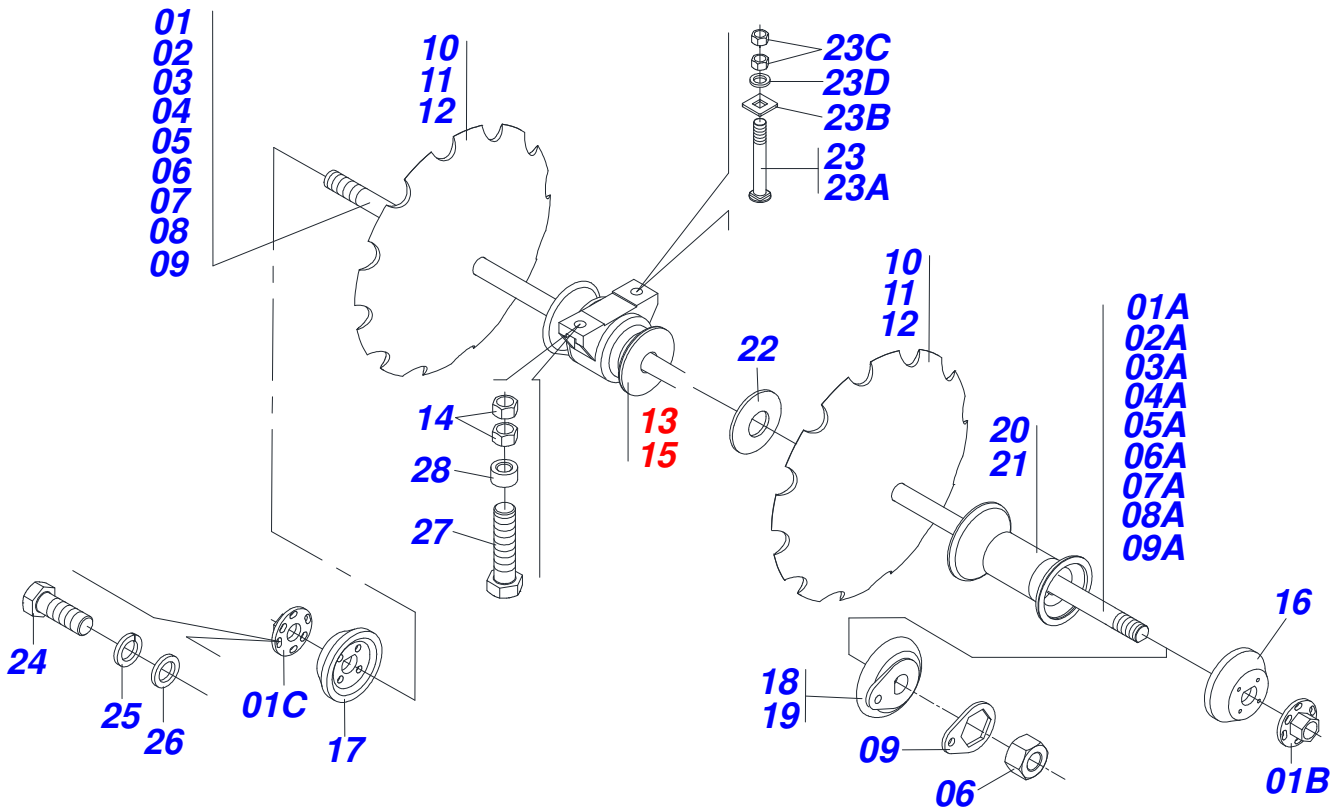
HYDRAULIC CYLINDER



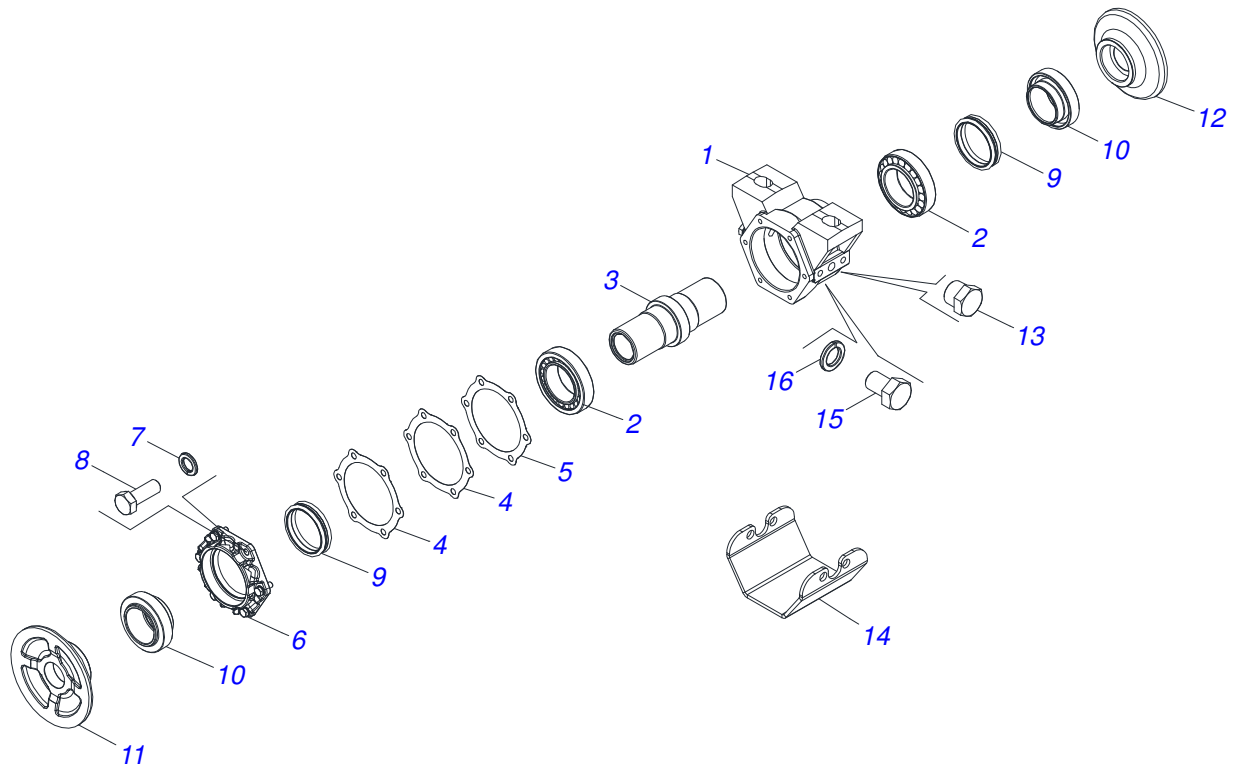
Item	Code	Description	See page	QT
001	0511070658	CYLINDER CASE		01
002	0571019958	HYDRAULIC CYLINDER TURNBUCKLE		01
003	0502040747	32.54 CLEVIS CLAMP		01
004	0503030385	CYLINDER PLUG N-002		02
005	0503010039	D-2000 SCRAPER RING		01
006	0503011094	3/8" X 2" BOLT		01
007	0503011443	3/8" SPRING WASHER		01
008	0503010026	3/8" NUT		01
009	0502012820	50.80 X 101.60 PISTON		01
010	0503010817	1.1/4" SELF LOCKING NUT		01
011	0503018025	RING GUIDE		01
012	0503018026	1870-2000-375 B GASKET		01
013	0503018024	RING BS		01
014	0503010338	2-342 N 3006-9B O'RING		02
015	0503011061	8-342 BACK-UP RING		02
016	0502012822	101.60 END CAP		01
017	0502012821	50.80 X 101.60 RING SUPPORT		01
018	0503018029	2-217 O'RING		01
019	0503015633	SELEMASTER SEALING		01



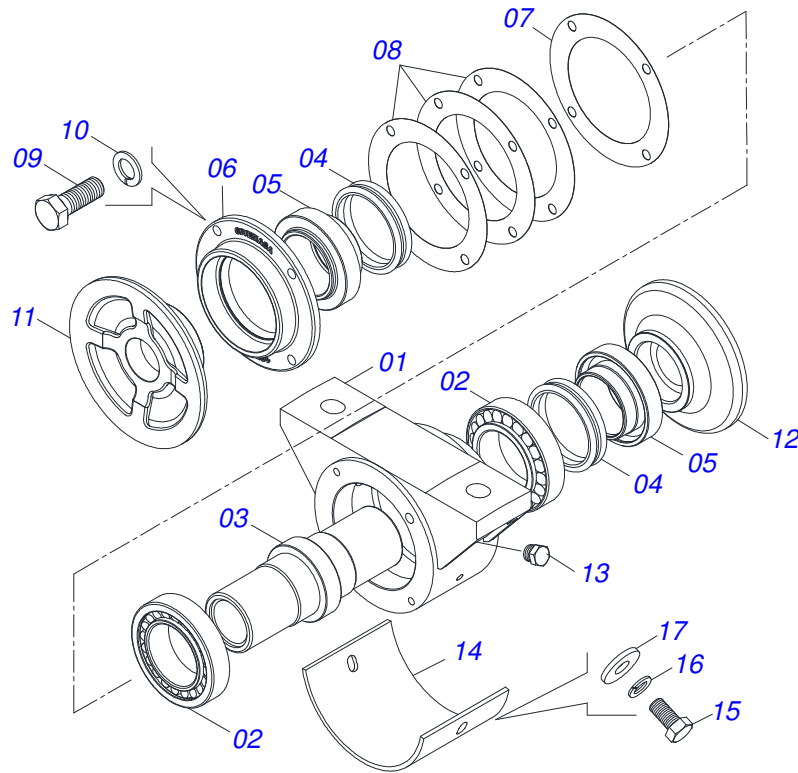
Item	Code	Description	See page	QT
01	0501051142	CARRYING WHEEL HUB	01	01
02	0521010821	2.5" X 16.5" AXLE	01	01
03	0501016545	FLAT WASHER	01	01
04	0503030009	1" CASTLE NUT	01	01
05	0503010018	5/32 X 1-1/2 COTTERPIN	01	01
06	0502020591	PROTECCION COVER	01	01
07	0503011444	SPRING WASHER	04	04
08	0503010358	5/16" X 5/8" BOLT	04	04
09	0503010002	1800 GREASE FITTING	01	01



Item	Code	Description	See page	14	16	18	20	22	24	26	28	30 D.
01	0501042579	1.3/4" X 1780 AXLE WITH NUTS		02	00	00	00	00	00	00	00	00
01A	0501042579	1.3/4" X 1780 AXLE WITH NUTS		02	00	00	00	00	00	00	00	00
01B	0502011574	RIGHT NUT		02	02	04	04	04	04	04	04	04
01C	0502011575	LEFT NUT		02	02	04	04	04	04	04	04	04
02	0521013844	AXLE DISC		00	02	00	00	00	00	00	00	00
02A	0521013844	AXLE DISC		00	02	00	00	00	00	00	00	00
03	0511050335	AXLE DISC		00	00	02	00	00	00	00	00	00
03A	0521013820	AXLE DISC		00	00	02	00	00	00	00	00	00
04	0511050285	AXLE DISC		00	00	02	04	02	00	00	00	00
04A	0521013684	AXLE DISC		00	00	02	04	02	00	00	00	00
05	0511050216	1.3/4UNC X 1567 AXLE ASSY		00	00	00	00	02	00	00	00	00
05A	0521013681	3390493 AXLE		00	00	00	00	02	00	00	00	00
06	0501040361	1.3/4 X 1520 AXLE WITH NUT		00	00	00	00	00	04	02	00	00
06A	0501011424	1,3/4" X 1520 AXLE		00	00	00	00	00	04	02	00	00
07	0501040362	1.3/4" X 1790 AXLE WITH NUTS		00	00	00	00	00	00	02	04	00
07A	0501011422	1.3/4 X 1790 AXLE		00	00	00	00	00	00	02	04	00
08	0511050238	AXLE DISC		00	00	00	00	00	00	00	00	02
08A	0521013844	AXLE DISC		00	00	00	00	00	00	00	00	02
09	0511052551	AXLE DISC		00	00	00	00	00	00	00	00	02
09A	0521014868	AXLE DISC		00	00	00	00	00	00	00	00	02
10	0602033006	26" X 0.2" NOTCHED DISC BLADE		14	16	18	20	22	24	26	28	30
11	0602039003	28X6 C102AF04FR1.13/16 10R TAT/CV NOTCHED DISC BLADE		14	16	18	20	22	24	26	28	30
12	0602030382	24" X 6 NOTCHED DISC BLADE		14	16	18	20	22	24	26	28	30
13	0511041509	AGRICULTURAL BEARING	9	04	04	00	00	00	08	08	08	12
14	0503012183	SNC 3/4" ZIN 1K03097 NUT		24	28	00	00	00	00	00	00	00
15	0511040113	AGRICULTURAL BEARING	10	00	00	08	08	08	00	00	00	00
16	0502011572	BEARING INNER FLANGE		02	02	04	04	04	00	00	00	00
17	0502011573	3380483 DISC OUTER FLANGE		02	02	04	04	04	00	00	00	00
18	0502010582	EXTERNAL AXLE WASHER		00	00	00	00	00	04	04	06	06
19	0502010583	1.3/4" INNER AXLE WASHER		00	00	00	00	00	04	04	06	06
20	0502010400	263 SPACER		08	00	00	00	00	12	14	26	36



Item	Code	Description	See page	QT
01	0502020636	8.8" X 1-5/8" OIL HOUSING BEARING		01
02	0503010104	3984/3920 ROLLER BEARING		02
03	0502010824	AXLE CM/DM		01
04	0503030030	5.6" X 4.4" X 0.01" GASKET		02
05	0503030685	5.5" X 4.4" X 0.003" GASKET		01
06	0502020161	WEAR PLATE BEARING		01
07	0503011443	3/8" SPRING WASHER		06
08	0503010237	3/8" X 1" BOLT		06
09	0503030027	DUO-CONE SEAL		02
10	0502010823	SEAL RETAINER		02
11	0502040141	OUTER FLANGE		01
12	0502040142	INNER FLANGE		01
13	0503010856	OIL PLUG		02
14	0581013547	PROTECTION COVER BEARING		01
15	0503011401	1/2" X 3/4" BOLT		04
16	0503010019	1/2" SPRING WASHER		04



Item	Code	Description	See page	QT
01	0502011965	BEARIN BODY	01	
02	0503010104	3984/3920 ROLLER BEARING	02	
03	0502010824	AXLE CM/DM	01	
04	0503030027	DUO-CONE SEAL	02	
05	0502010823	SEAL RETAINER	02	
06	0502011966	BEARING COVER	01	
07	0503031685	JOINT BEARIN	01	
08	0503031686	JOINT BEARIN	03	
09	0503010237	3/8" X 1" BOLT	04	
10	0503011443	3/8" SPRING WASHER	04	
11	0502040141	OUTER FLANGE	01	
12	0502040142	INNER FLANGE	01	
13	0503010856	OIL PLUG	01	
14	0521013856	PLATE PROTECTION	01	
15	0503011334	3/8" X 3/4" BOLT	02	
16	0503010025	3/8" SPRING WASHER	02	
17	0501010984	FLAT WASHER	02	



CIVEMASA

www.civemasa.com.br



Technical Publications | Elaboration and Revision

ALESSANDRA PATRICIA KAWAHARA CARRILI