

PARTS CATALOGUE

DISK PLOW

Code:

0501091750

Product:

AG 18C/21C



Series:

S-0608

Revision:

00

Revision Date:


AGOSTO/2016

PRODUCTS

Code	Description
0120170016	AG 18C 26 X 6,0 DR 6750095 S-0608
0120170009	AG 21C CD 26X6,0 REC

ATTENTION: IMPORTANT

Civemasa reserves the right to improve and / or modify the technical features of its products, without obligation to do the same with those products already sold and without prior knowledge of the dealer or the consumer.

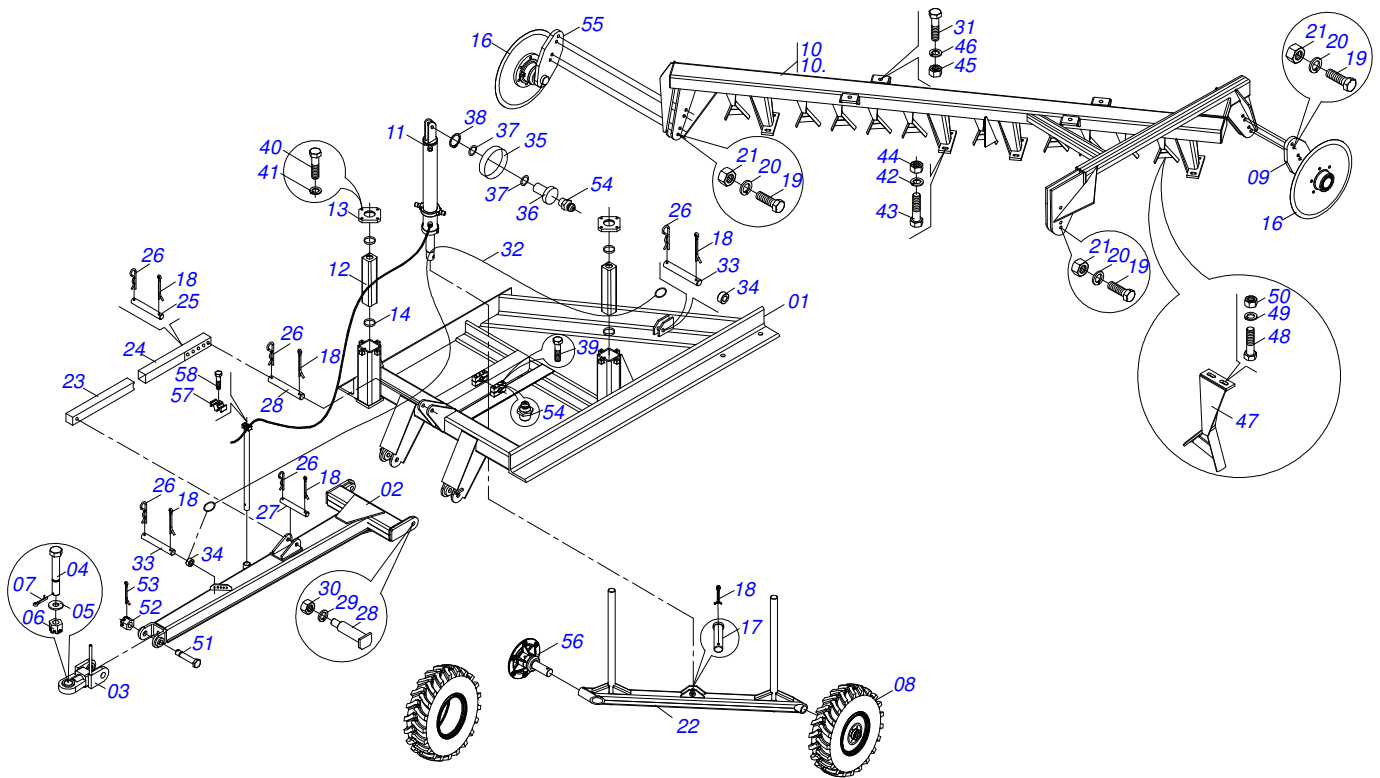




INDEX

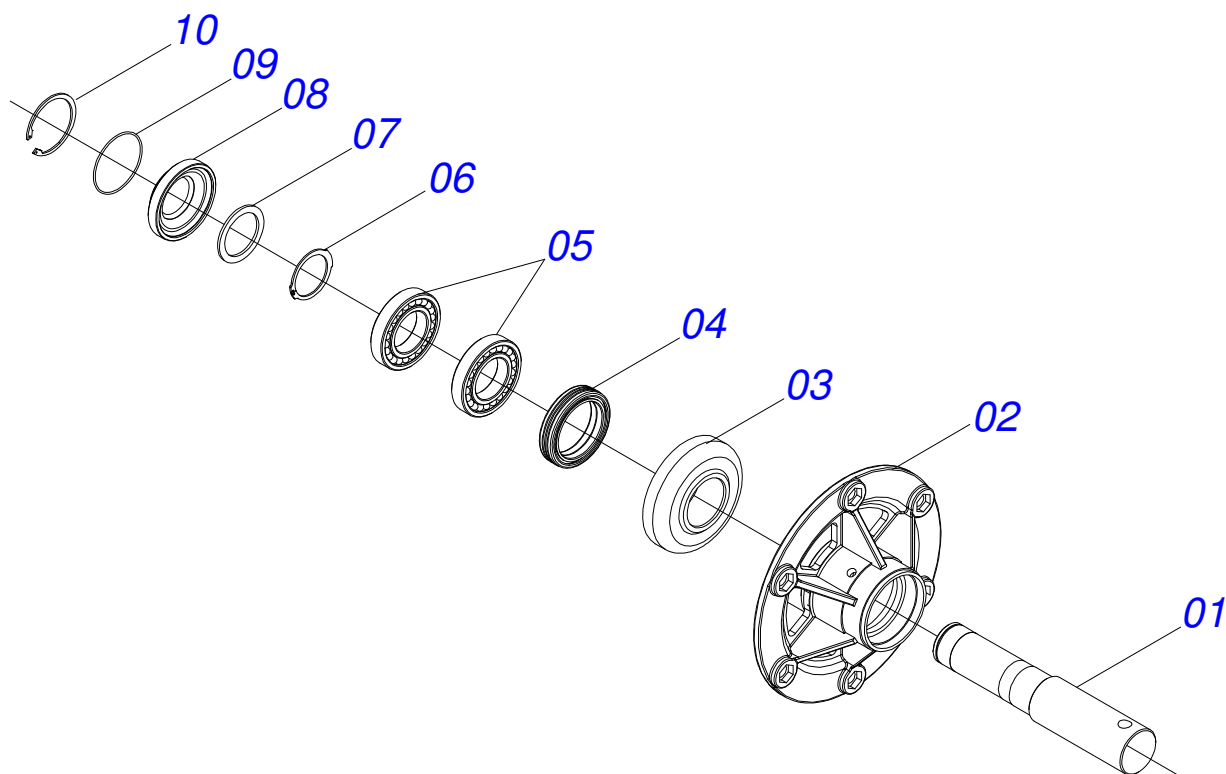
0909092040	AG 18/21	1
0501052144	WHEELS HUB ASSY ASSY	2
0511040577	HYDRAULIC CYLINDER	3
0909092042	GANG DISC	4
0511040113	AGRICULTURAL BEARING	5



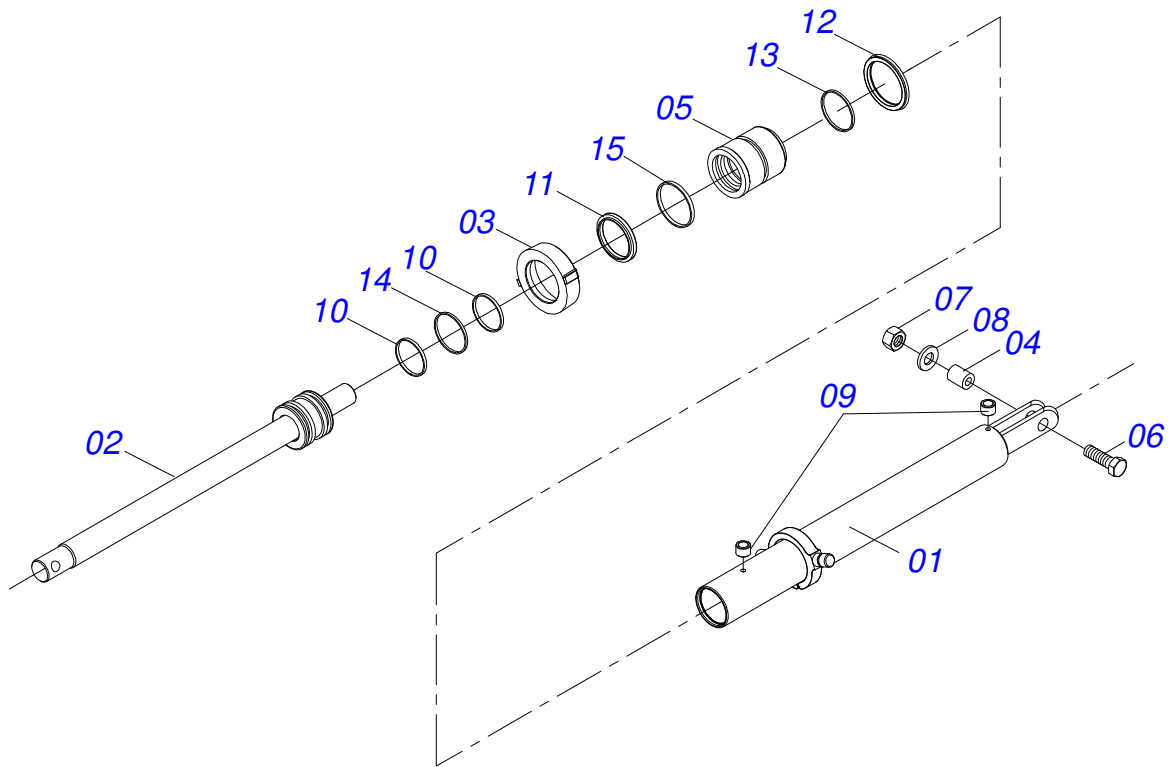


Item	Code	Description	See page	QT
01	0511063133	FRAME		01
02	0511063134	AXLE		01
03	0511063351	HITCH		01
04	0521013739	BOLT HARNESS		01
05	0501812916	FLAT WASHER		01
06	0502011592	CASTLE NUT		01
07	0503010523	1/4" X 2" COTTERPIN		02
08	0503060267	SET WHEELED ASSY		01
09	0511060940	AXLE		01
10	0521060022	FRAME		01
10.	0511062029	FRAME AG 210100C 3753145		01
11	0511040577	HYDRAULIC CYLINDER	3	01
12	0502011910	AXLE GUIDE BUSHING		02
13	0531011251	SUPPORT		02
14	0503012881	FELT RING		02
16	0521013845	FURROW WHEEL		02
17	0531012834	PIN WITH HEAD		01
18	0503010038	3/16 X 2 COTTERPIN		06
19	0503012325	BOLT		03
20	0503010408	7/8" SPRING WASHER		03
21	0503010417	7/8" NUT		03
22	0511062032	AXLE SET		01
23	0511063132	ADJUSTMENT BAR		01
24	0531013288	EXTENSION		01
25	0521014901	PIN SEM HEAD PN-075		01
26	0503031470	TM 251 X 4,0 STAPLE		04
27	0521014896	PIN		01
28	0511063136	PIN ARTICULATION		01
29	0501012916	FLAT WASHER 38,50 X 66 X 4,75 ZN		01
30	0503012259	UNC1.1/2" ZIN 1K03155 NUT		01
31	0503011432	1" X 4" BOLT		01

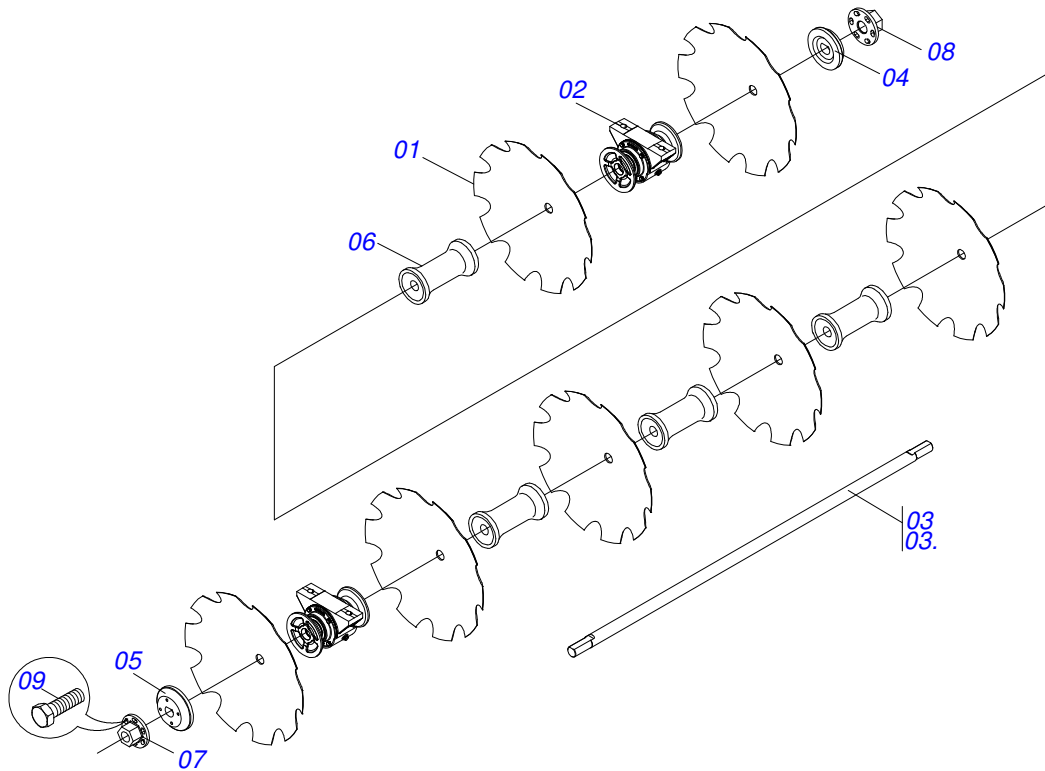
Item	Code	Description	See page	QT
32	0503012737	STEEL CABLE		01
33	0521014895	PIN SEM HEAD PN-068		03
34	0531013290	SPACING BUSHING		02
35	0521018941	PULLEY		01
36	0531013291	PIN OF THE PULLEY		01
37	0521013788	FLAT		02
38	0503012242	RENO RING		01
39	0503012224	3/4" X 2-1/2" BOLT		01
40	0503012555	SCREW 7/16 UNC X 2 CS RT G.7 ZN		01
41	0503010180	7/16" SPRING WASHER		01
42	0521013710	WASHER GVC 33200 SEMIMAN		01
43	0503010901	3/4UNC 3.1/2 BOLT		01
44	0503012183	SNC 3/4" ZIN 1K03097 NUT		01
45	0503012182	1" NUT		01
46	0521013709	REINFORCING WASHER		01
47	0511060122	SAC 31000 SCRAPER		12
48	0501010243	1/2" X 1-1/2" BOLT		01
49	0503010019	1/2" SPRING WASHER		01
50	0503010020	1/2"NUT		01
51	0531013287	BOLT		01
52	0502011592	CASTLE NUT		01
53	0503010523	1/4" X 2" COTTERPIN		01
54	0503010002	1800 GREASE FITTING		03
55	0511060703	RIGHT AXLE		01
56	0501052144	WHEELS HUB ASSY ASSY	2	02
57	0502012702	BODY SUPPORT CLAMP		01
58	0503012555	SCREW 7/16 UNC X 2 CS RT G.7 ZN		01



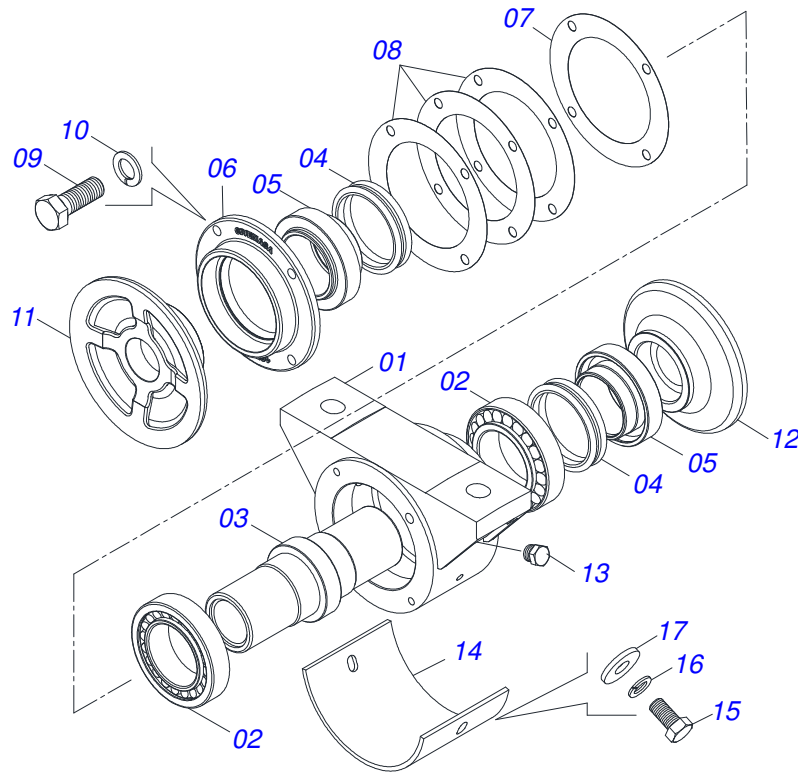
Item	Code	Description	See page	QT
01	0521013886	CR 80/2A AXLE		01
02	0502011649	WHEELS HUB ASSY		01
03	0502020649	SUPPORT SEAL		01
04	0503012313	SEAL		01
05	0503012294	BEARING LM		02
06	0503012311	501065 RENO RING		01
07	0521013887	FLANGE WASHER		01
08	0502020648	COVER		01
09	0503012314	2-248 1G05195 O'RING		01
10	0503012312	RENO RING 502120		01



Item	Code	Description	See page	QT
001	0511063737	SET SHIRT		01
002	0511062665	ROD ASSEMBLY		01
003	0502011745	COVER		01
004	0531015391	PULLEY		01
005	0502011735	TURNBUCLE GUIDE		01
006	0503010479	1/2" X 3" BOLT		01
007	0503010060	1/2" NUT		01
008	0511017302	FLAT WASHER		01
009	0503030385	CYLINDER PLUG N-002		02
010	0503012496	SEAL RING		01
011	0503010287	D-2500 SCRAPER RING		01
012	0503012723	502115 RENO RING		01
013	0503012497	RING (TEFLON)		02
014	0503012498	RING (TEFLON)		02
015	0503012499	RUBBER RING		02



Item	Code	Description	See page	QT
01	0602033303	NOTCHED DISC BLADE		18 21
02	0511040113	AGRICULTURAL BEARING	5	06 06
03	0521013681	3390493 AXLE		01 00
03.	0521013682	3410229 AXLE		00 01
04	0502011573	3380483 DISC OUTER FLANGE		03 03
05	0502011572	BEARING INNER FLANGE		03 03
06	0502011576	3390172 SPACER		09 12
07	0502011574	RIGHT NUT		01 01
08	0502011575	LEFT NUT		01 01
09	0503010834	1/2 X 1 BOLT		08 08



Item	Code	Description	See page	QT
01	0502011965	BEARIN BODY	01	
02	0503010104	3984/3920 ROLLER BEARING	02	
03	0502010824	AXLE CM/DM	01	
04	0503030027	DUO-CONE SEAL	02	
05	0502010823	SEAL RETAINER	02	
06	0502011966	BEARING COVER	01	
07	0503031685	JOINT BEARIN	01	
08	0503031686	JOINT BEARIN	03	
09	0503010237	3/8" X 1" BOLT	04	
10	0503011443	3/8" SPRING WASHER	04	
11	0502040141	OUTER FLANGE	01	
12	0502040142	INNER FLANGE	01	
13	0503010856	OIL PLUG	01	
14	0521013856	PLATE PROTECTION	01	
15	0503011334	BOLT 3/8 UNC X 3/4 CS G.5 ZN	02	
16	0503010025	3/8" SPRING WASHER	02	
17	0501010984	FLAT WASHER	02	



CIVEMASA

www.civemasa.com.br



Technical Publications | Elaboration and Revision
MARINA PEREZ NIZA