

PARTS CATALOGUE

SUBSOILER PLOUGH

STAC M 500

Code: 0501091733



Series: S-0106

Review: AGOSTO/2016

**ORIGINAL PARTS
CIVEMASA**

civemasa

PRODUCTS

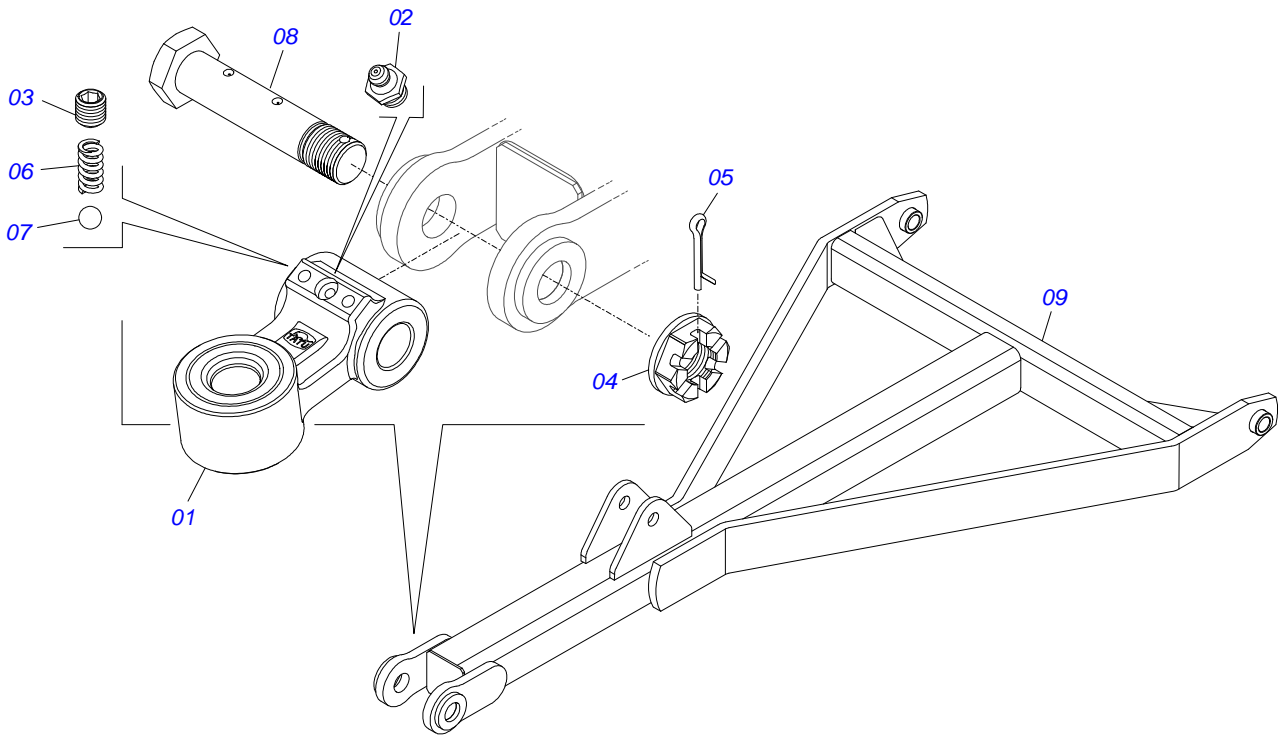
Code	Description	
0120370248	STAC M 500 HP 7H DC RD	S-0106

ATTENTION: *IMPORTANT*

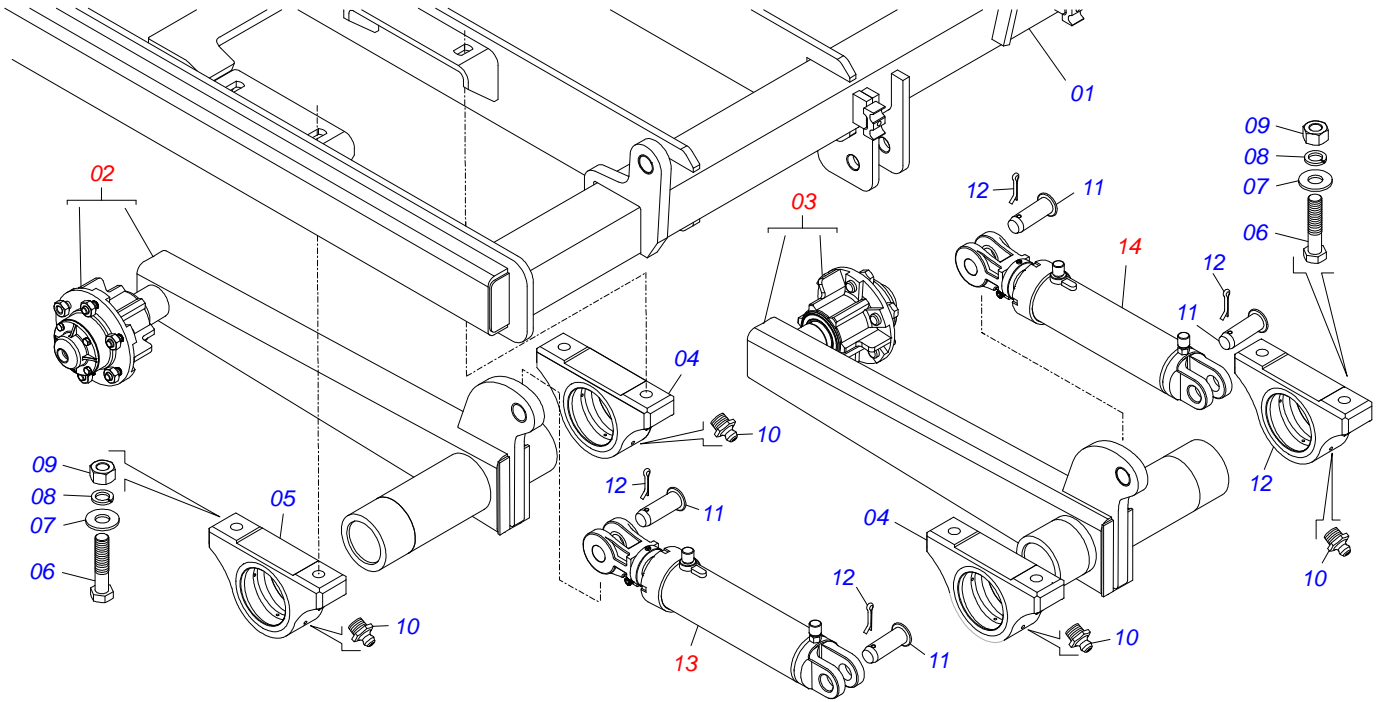
CIVEMASA RESERVES THE RIGHT AT ANY TIME TO MAKE IMPROVEMENTS IN THE DESIGN, MATERIAL OR SPECIFICATIONS OF MACHINERY, EQUIPMENT OR PARTS WITHOUT THEREBY BECOMING LIABLE TO MAKE SIMILAR CHANGES IN MACHINERY, EQUIPMENT OR PARTS PREVIOUSLY SOLD.

INDEX

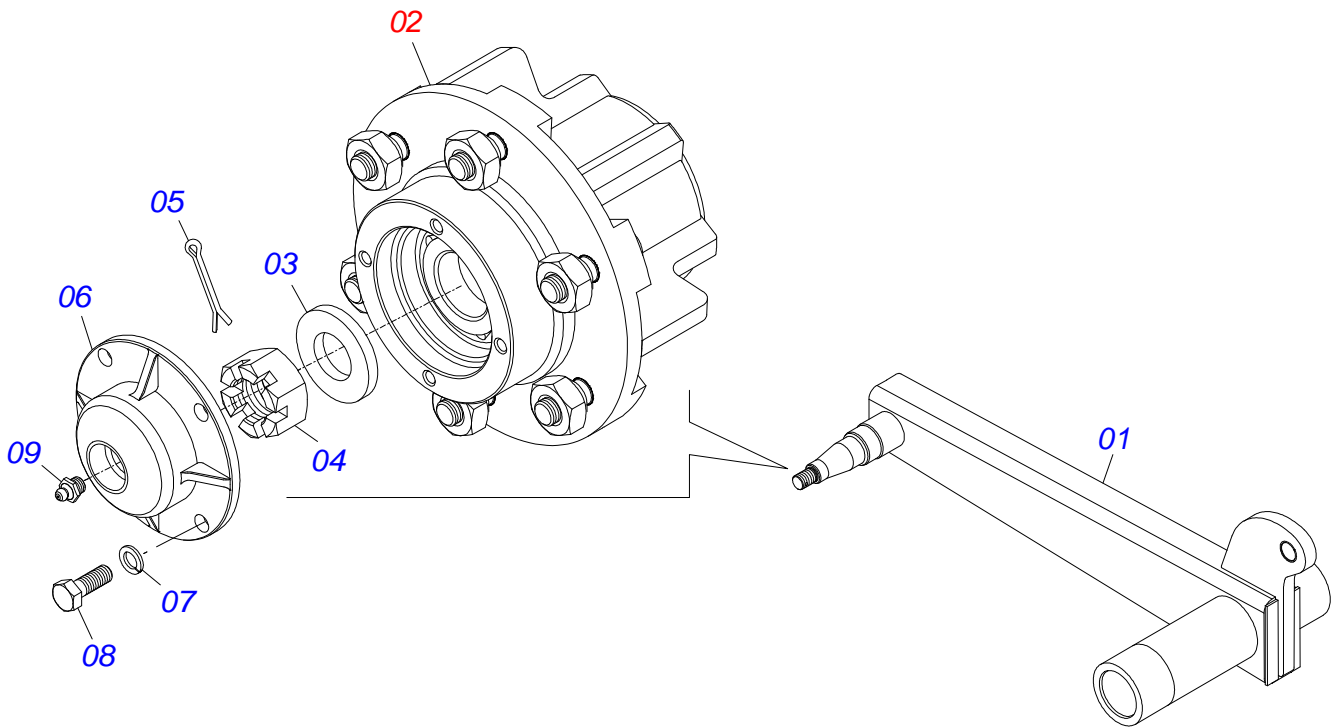
0521044408	DRAWBAR	1
0511049273	FRAME ASSY	2
0501054990	FURROW WHEEL RIGHT SUPPORT	3
0501054991	LH SUPPORT STUB SHAFT & HUB	4
0501051142	CARRYING WHEEL HUB	5
0503062010	WHEEL AND TIRE	6
0909092338	FRAME SEMI MOUNTED	7
0501035824	PACKED PARTS	8
0501051055	HOSE KIT	9
0501047356	ESTABILIZER ASSY	10
0501053834	TQUICK CONECTION (MALE) 1/2	11
0521045646	HYDRAULIC CYLINDER	12
0521045647	HYDRAULIC CYLINDER	13
0521041884	BREAK ROLLER	14
0501046922	7.5" X 1-1/4" OIL BATH BEARING	15
0511045923	SHANKS SYSTEM ASSY	16
0521040616	DISCO DIANTEIRO	17
0521040619	DISCO TRASEIRO	18
0511053370	24" X 7,5 BLADE DISC ASSY	19
0501057526	DISC HUB	20



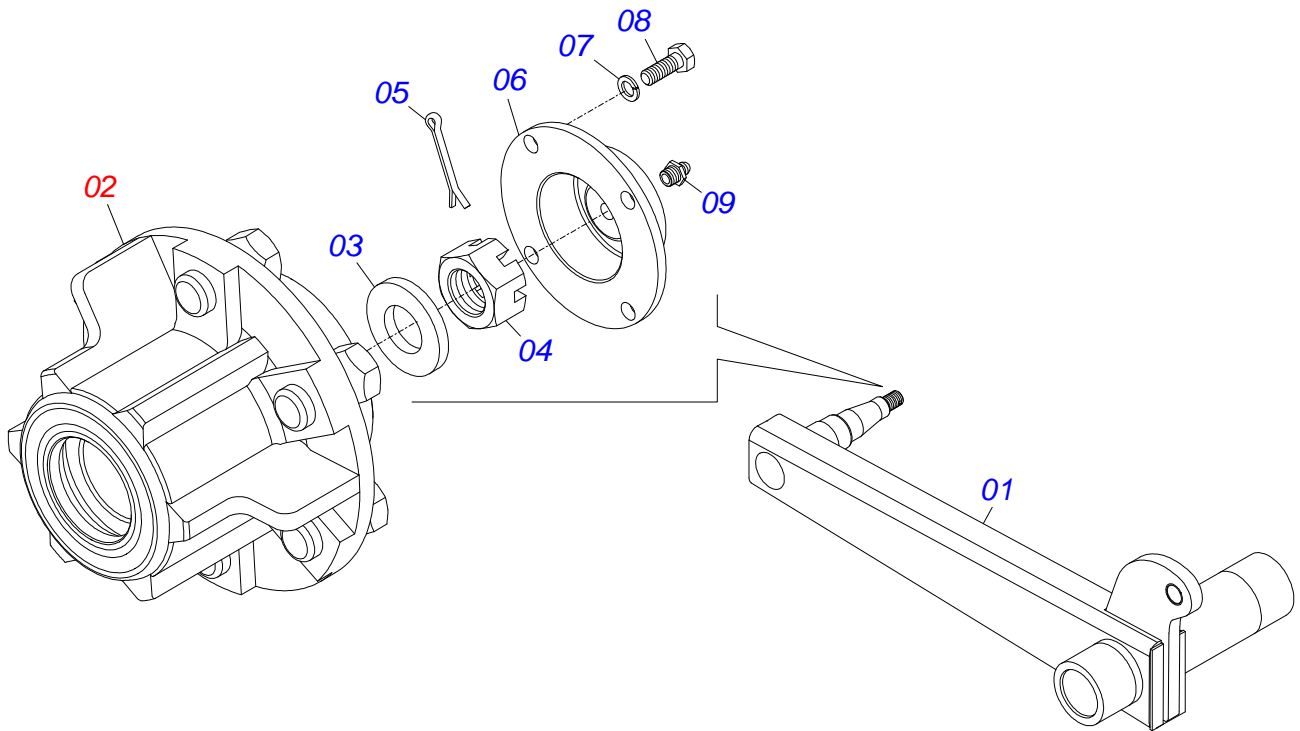
Item	Code	Description	QT
01	0511055614	HITCH	01
02	0503010002	GRAXEIRA 1800	01
03	0503016482	BOLT	02
04	0501011301	1.1/2 UNC 6FPP 2.5/16 NUT	01
05	0503010010	1/4" X 2.1/2" COTTERPIN	01
06	0503033731	COMPRESSION SPRING LEFT	02
07	0503011331	3/8 BALL	02
08	0571016503	FIXER BOLT	01
09	0521065003	HEADER S/ HITCH	01



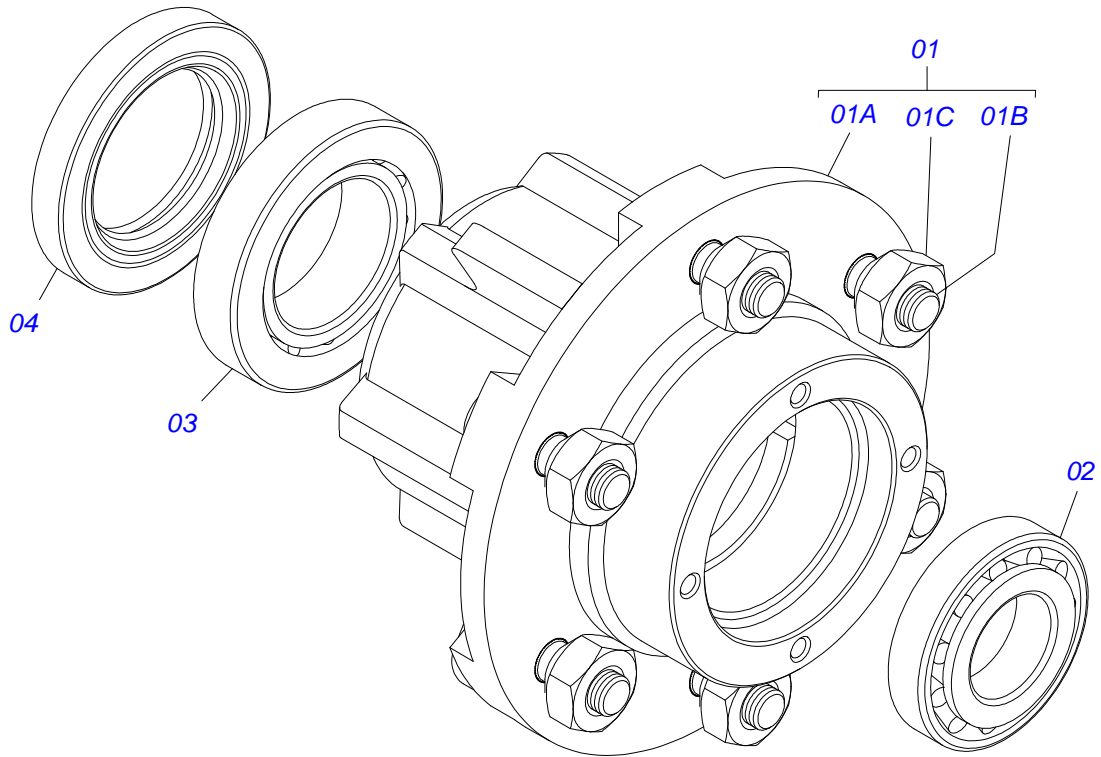
Item	Code	Description	QT
01	0521062182	FRAME	01
02	0501054990	FURROW WHEEL RIGHT SUPPORT	01
03	0501054991	LH SUPPORT STUB SHAFT & HUB	01
04	0501110563	MANCAL ARTICULAÇÃO ESQUERDA C/LUVA	02
05	0501110568	MANCAL ARTICULAÇÃO DIREITA C/LUVA	02
06	0503010901	3/4UNC 3.1/2 BOLT	08
07	0501010322	FLAT WASHER	08
08	0503011442	3/4" SPRING WASHER	08
09	0503010014	3/4" NUT	08
10	0503010002	GRAXEIRA 1800	04
11	0521012538	1.2" X 3.5" COUPLING SHAFT	04
12	0503010523	1/4" X 2" COTTERPIN	04
13	0521045646	HYDRAULIC CYLINDER	01
14	0521045647	HYDRAULIC CYLINDER	01



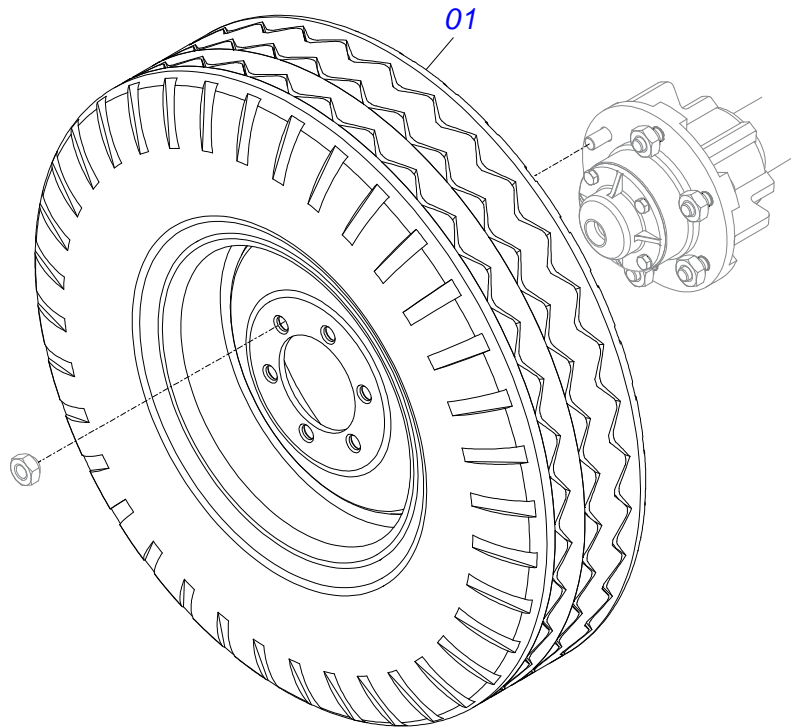
Item	Code	Description	QT
01	0511065157	RIGHT CARRYING-WHEELS	01
02	0501051142	CARRYING WHEEL HUB	01
03	0501016545	FLAT WASHER	01
04	0503030009	1" CASTLE NUT	01
05	0503010018	CONTRAPINO 5/32 X 1.1/2	01
06	0502020591	PROTECCION COVER	01
07	0503011444	SPRING WASHER	04
08	0503010358	PARAFUSO 5/16 UNC X 7/8 C S G.5	04
09	0503010002	GRAXEIRA 1800	01



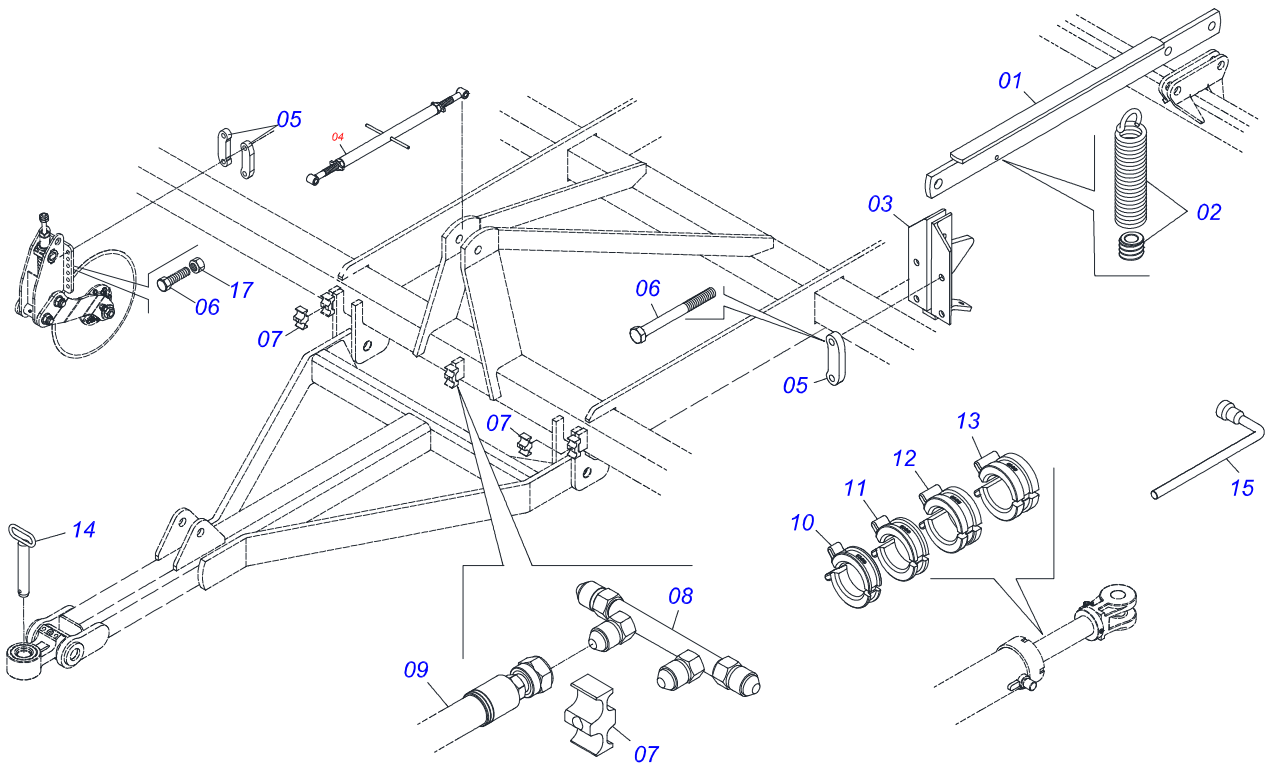
Item	Code	Description	QT
01	0511065158	LEFT CARRYING-WHEELS	01
02	0501051142	CARRYING WHEEL HUB	01
03	0501016545	FLAT WASHER	01
04	0503030009	1" CASTLE NUT	01
05	0503010018	CONTRAPINO 5/32 X 1.1/2	01
06	0502020591	PROTECCION COVER	01
07	0503011444	SPRING WASHER	04
08	0503010358	PARAFUSO 5/16 UNC X 7/8 C S G.5	04
09	0503010002	GRAXEIRA 1800	01



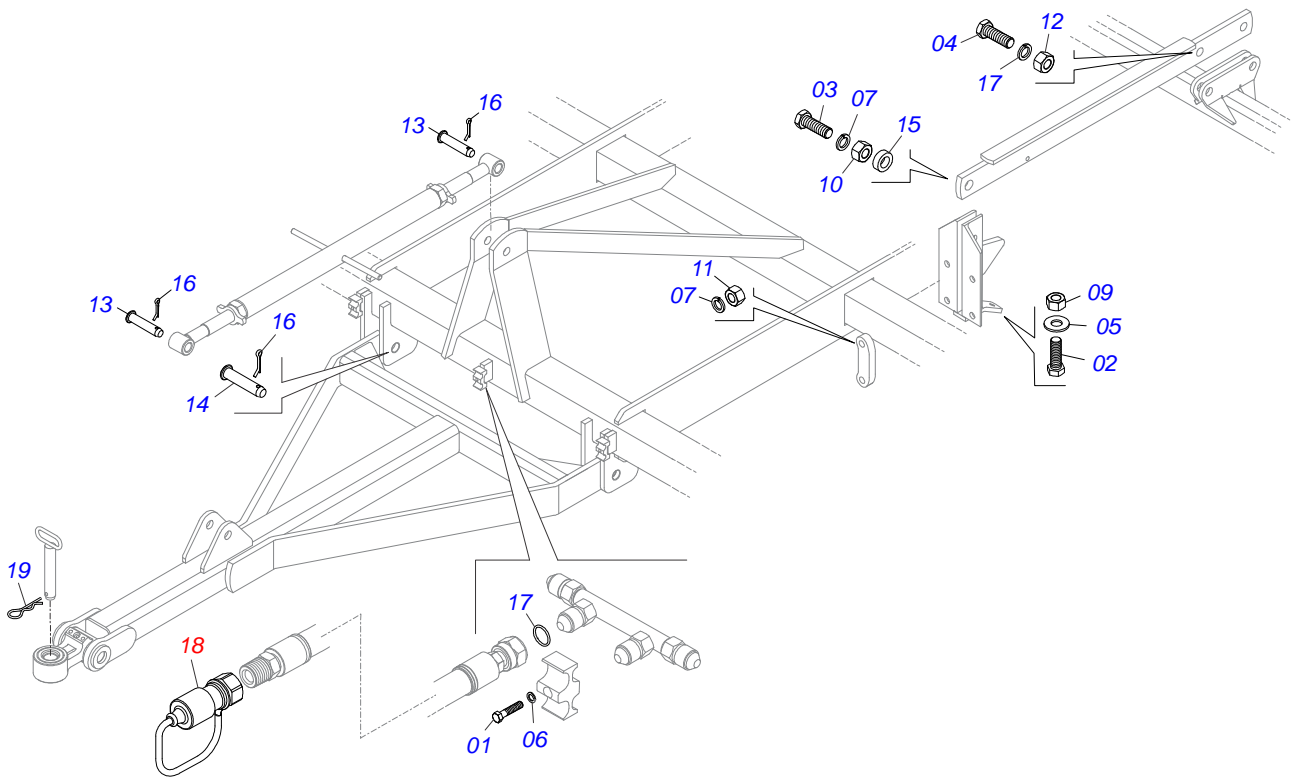
Item	Code	Description	QT
01	0501110728	WHEEL HUB	01
01A	0502011121	CARRYING WHEEL HUB	01
01B	0501010127	9/16" X 1-7/8" LUG BOLT	06
01C	0503010035	9/16" CONIC NUT	06
02	0503010037	30207 ROLLER BEARING	01
03	0503010006	32210 ROLLER BEARING	01
04	0503012928	SEAL	01



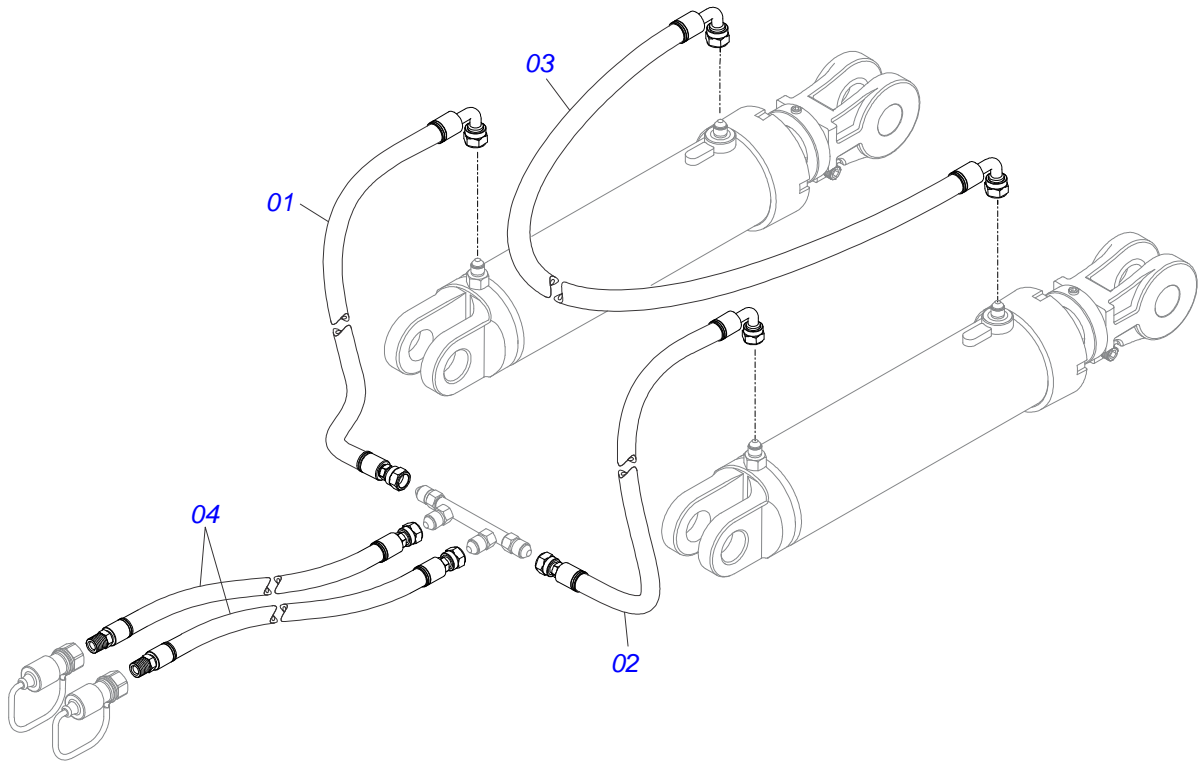
Item	Code	Description	QT
01	0503062010	WHEEL AND TIRE	01



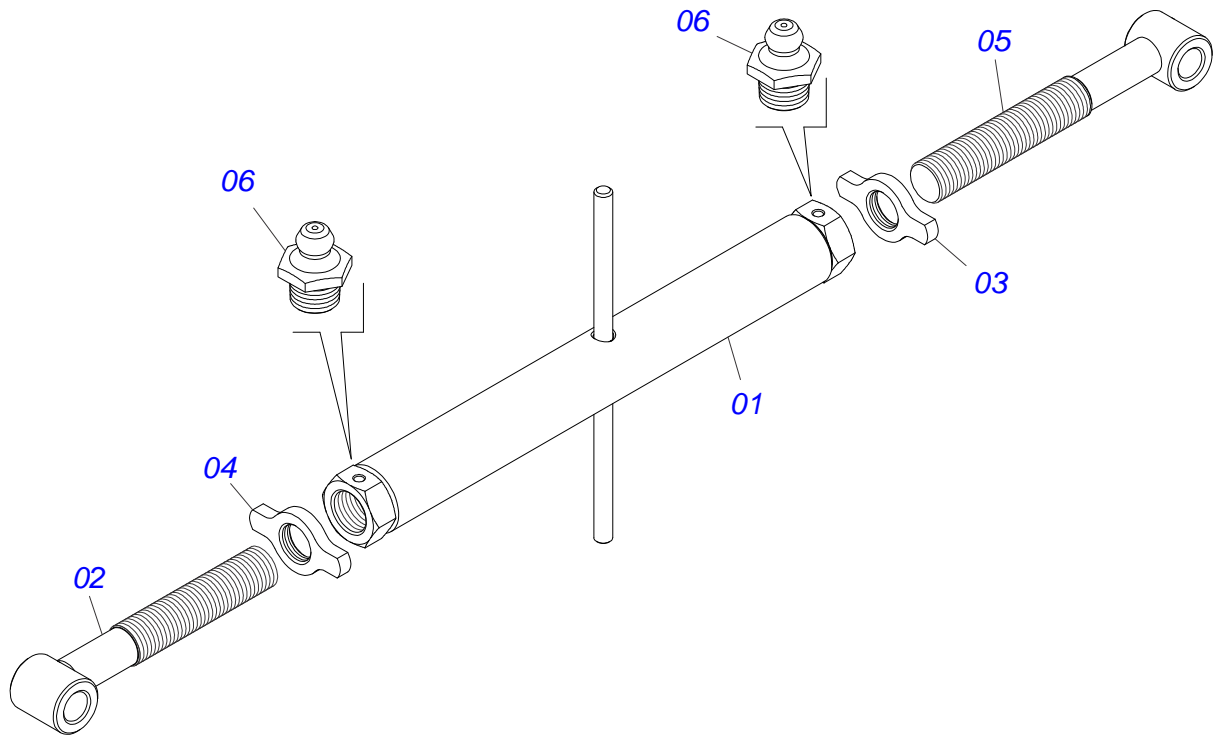
Item	Code	Description	QT
01	0511069306	FIXER ROLLER ARM	02
02	0501053355	HITCH TRACTION SPRING	02
03	0501068437	BREAK ROLLER SUPPORT FIXATION	02
04	0501047356	ESTABILIZER ASSY	01
05	0571011609	FIXER PLATE CUTTING DISC	18
06	0503014744	3/4 UNF X 7.1/2 C S G.7 ZN BOLT	36
07	0502012702	BODY SUPPORT CLAMP	03
08	0501068088	OIL TUBE	01
09	0501051055	HOSE KIT	01
10	0501047895	ROD STOP	06
11	0501047885	ROD STOP	06
12	0501047887	ROD STOP	02
13	0501047888	ROD STOP	02
14	0501069080	COUPLING SHAFT	01
15	0503033367	1" WRENCH CYLINDRICAL HEX	01
17	0503010335	3/4"NUT	36



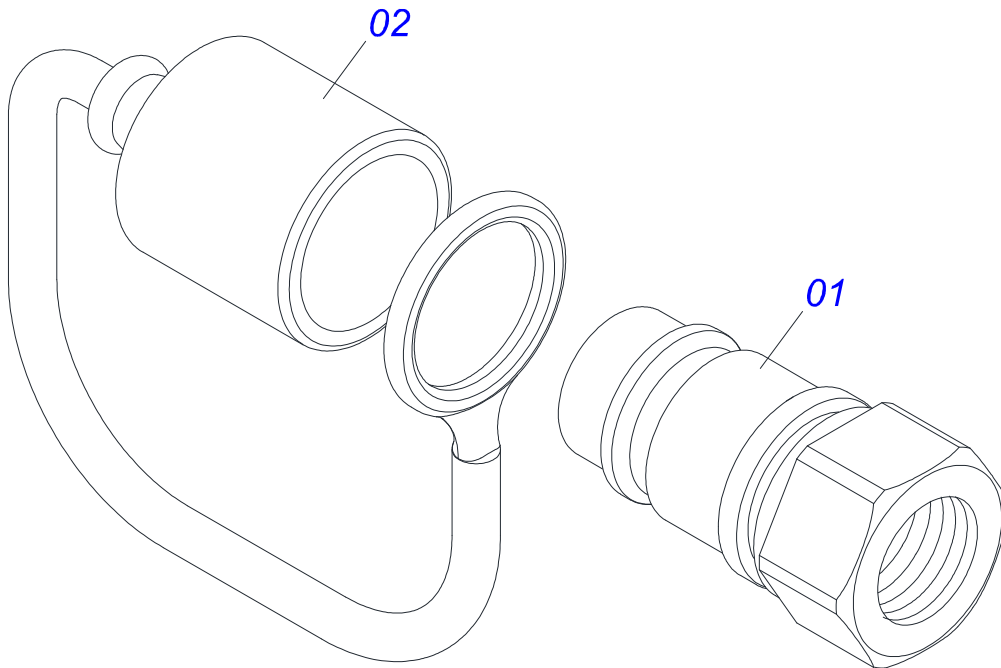
Item	Code	Description	QT
01	0503012555	7/16" X 2" BOLT	03
02	0503011264	1/2" X 2-1/2" BOLT	02
03	0501010827	3/4" X 2-3/4" BOLT	02
04	0501010276	1" X 3" BOLT	04
05	0511017302	FLAT WASHER	02
06	0503010180	7/16" SPRING WASHER	03
07	0503010023	SPRING WASHER	38
08	0503010012	1" SPRING WASHER	04
09	0503010060	1/2" NUT	02
10	0503010014	3/4" NUT	02
11	0503010335	3/4"NUT	36
12	0501010059	1.5/8 NUT	04
13	0521010579	COUPLING SHAFT	02
14	0521010596	COUPLING SHAFT	02
15	0511018178	BUSHING	02
16	0503010571	1/4" X 1.1/2 COTTERPIN	04
17	0503011030	2-014 N 3006-9B O'RING	04
18	0501053834	TQUICK CONECTION (MALE) 1/2	02
19	0503031035	HAIR PIN	01



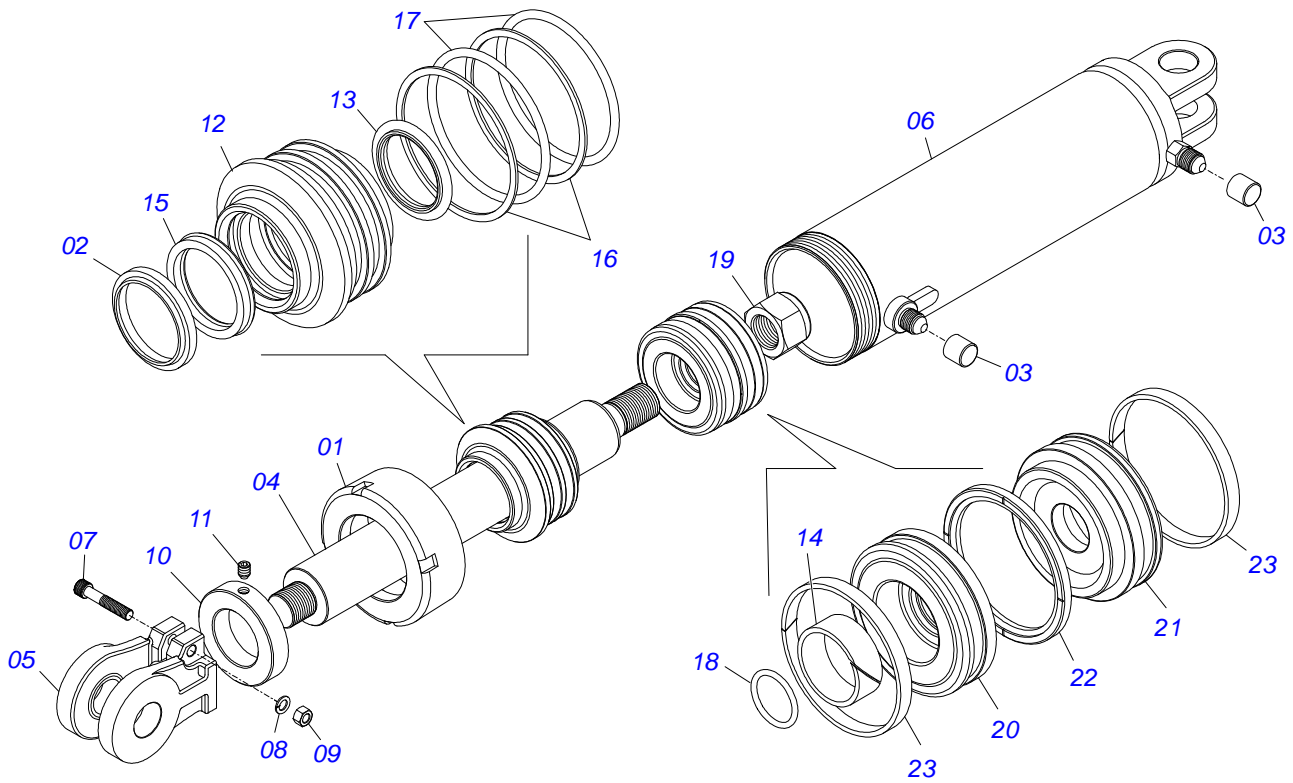
Item	Code	Description	QT
01	0501080025	TR-TC HOSE ASSY	01
02	0501080402	TR-TC HOSE ASSY	01
03	0501080479	TC-TC HOSE ASSY	01
04	0501080384	TR-TM HOSE ASSY	02



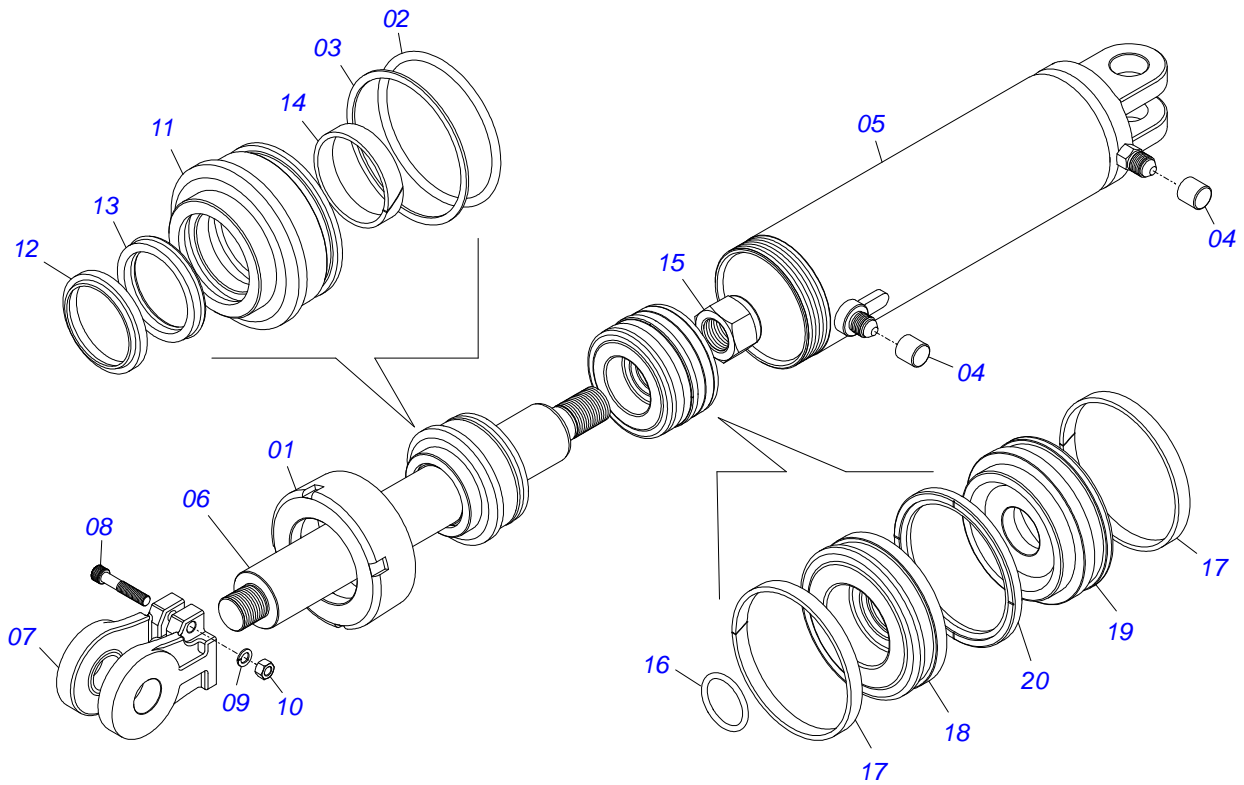
Item	Code	Description	QT
01	0501068095	850 ADJUSTMENT NUT	01
02	0501068096	RIGTH TURNBUCKLE	01
03	0541018673	COUNTERNUT	01
04	0541018672	COUNTERNUT	01
05	0501068097	LEFT TURNBUCKLE	01
06	0503010002	GRAXEIRA 1800	02



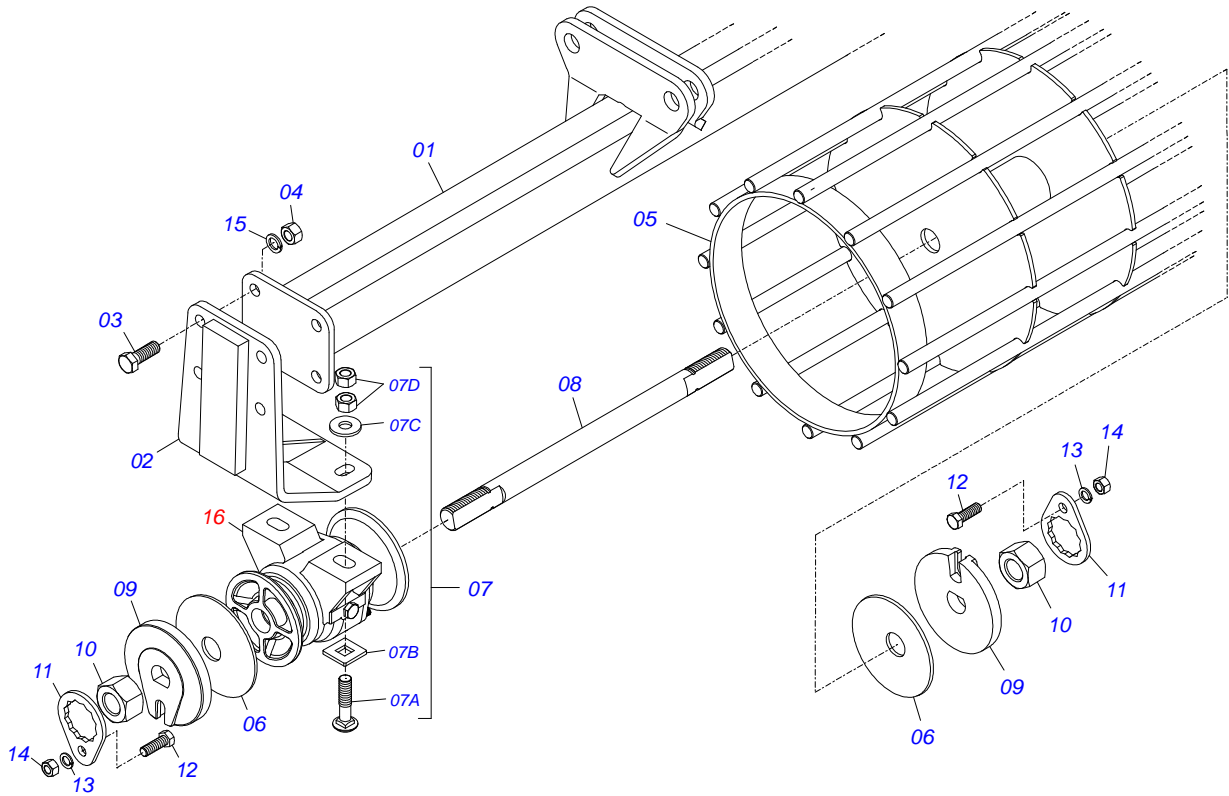
Item	Code	Description	QT
01	0503011627	QUICK CONNECTION (MALE) AGR 1/2 NPT	01
02	0503011882	QUICK CONNECTION COVER	01



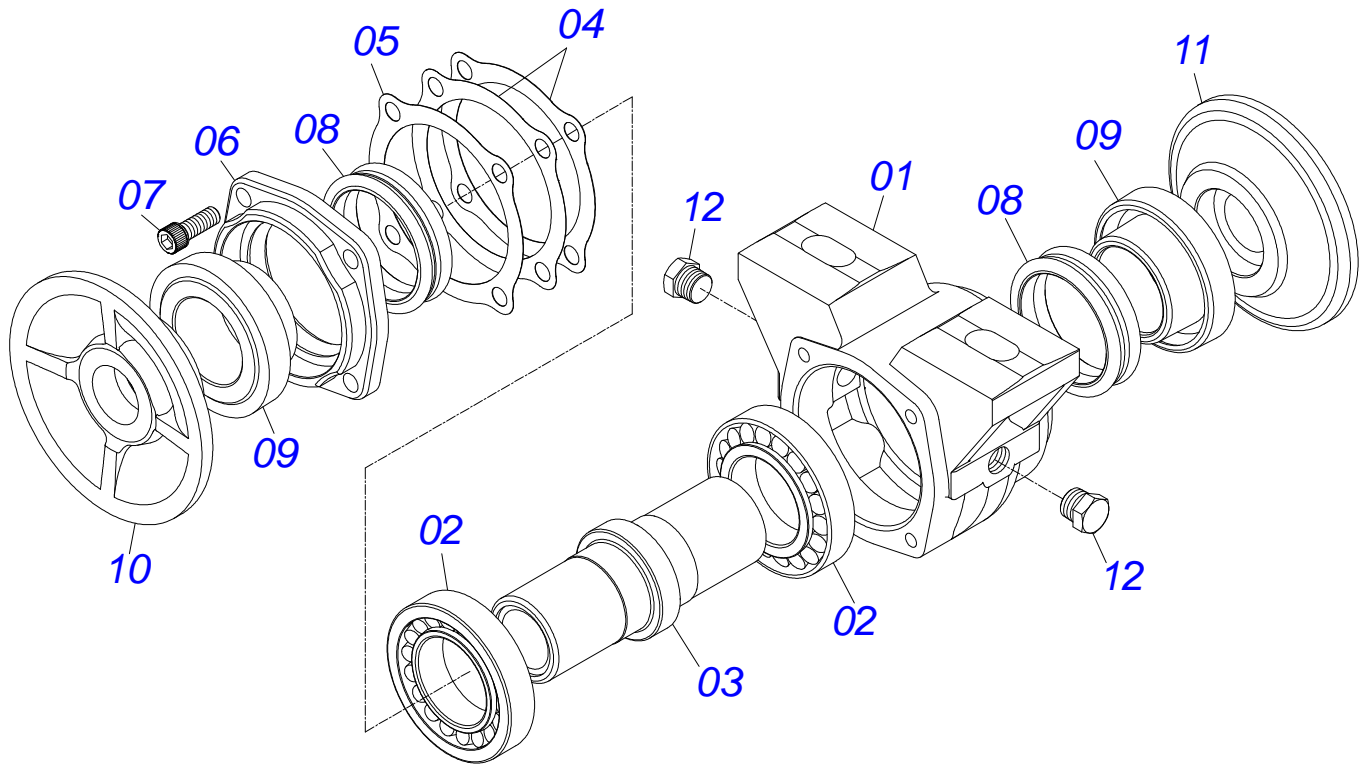
Item	Code	Description	QT
01	0571019709	DETACHABLE COVER	01
02	0503010761	D-1750 SCRAPER RING	01
03	0503030385	PLUG	02
04	0521016677	1.75" X 17.5" TURNBUCLE	01
05	0502040747	FORK	01
06	0521066182	CYLINDER CASE	01
07	0503011094	3/8" X 2" BOLT C C S I 12.9	01
08	0503011443	SPRING WASHER	01
09	0503010026	3/8" NUT	01
10	0511018115	1.8" X 0.1" 0.7" BUSHING	01
11	0503011148	3/8" X 1/2" BOLT	01
12	0571019711	RING SUPPORT	01
13	0503017936	RING	01
14	0503017938	RING GUIDE	01
15	0503017937	GASKET	01
16	0503017940	8-337 BACK-UP RING	02
17	0503017939	2-337 N 3006-9B O' RING	02
18	0503010042	2-214 N 3006-9B O'RING	01
19	0503010063	1" SELF-ALIGNING NUT	01
20	0581012598	PISTON	01
21	0581012597	PISTON	01
22	0503018650	SEALING	01
23	0503017883	RING GUIDE	02



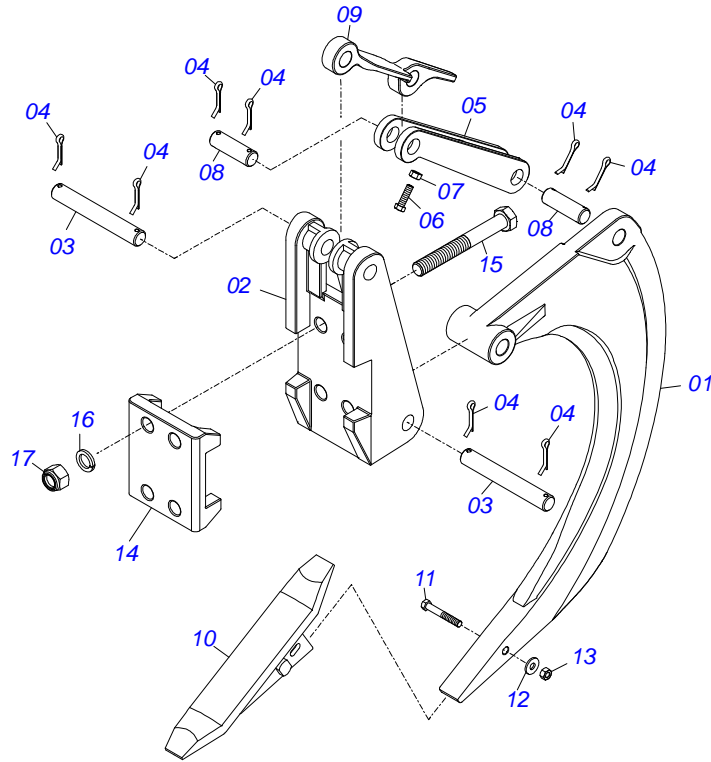
Item	Code	Description	QT
01	0502010017	4" HEAD	01
02	0503010338	2-342 N 3006-9B O'RING	01
03	0503011061	8-342 BACK-UP RING	01
04	0503030385	PLUG	02
05	0521066183	CYLINDER CASE	01
06	0531018706	2.1" X 17" EXTENDING BODY	01
07	0502040747	FORK	01
08	0503011094	3/8" X 2" BOLT C C S I 12.9	01
09	0503011443	SPRING WASHER	01
10	0503010026	3/8" NUT	01
11	0502011250	RING OF SUPPORT	01
12	0503015715	SCRAPER SEALING	01
13	0503015642	U-CUP SEALING	01
14	0503010973	W2-2500-500 PK O'RING G.E	01
15	0503010817	1-1/4" SELF-ADJUSTING NUT	01
16	0503010345	2-218 N 3006-9B O'RING	01
17	0503017889	RING GUIDE	02
18	0581012601	PISTON	01
19	0581012602	PISTON	01
20	0503018651	SEALING	01



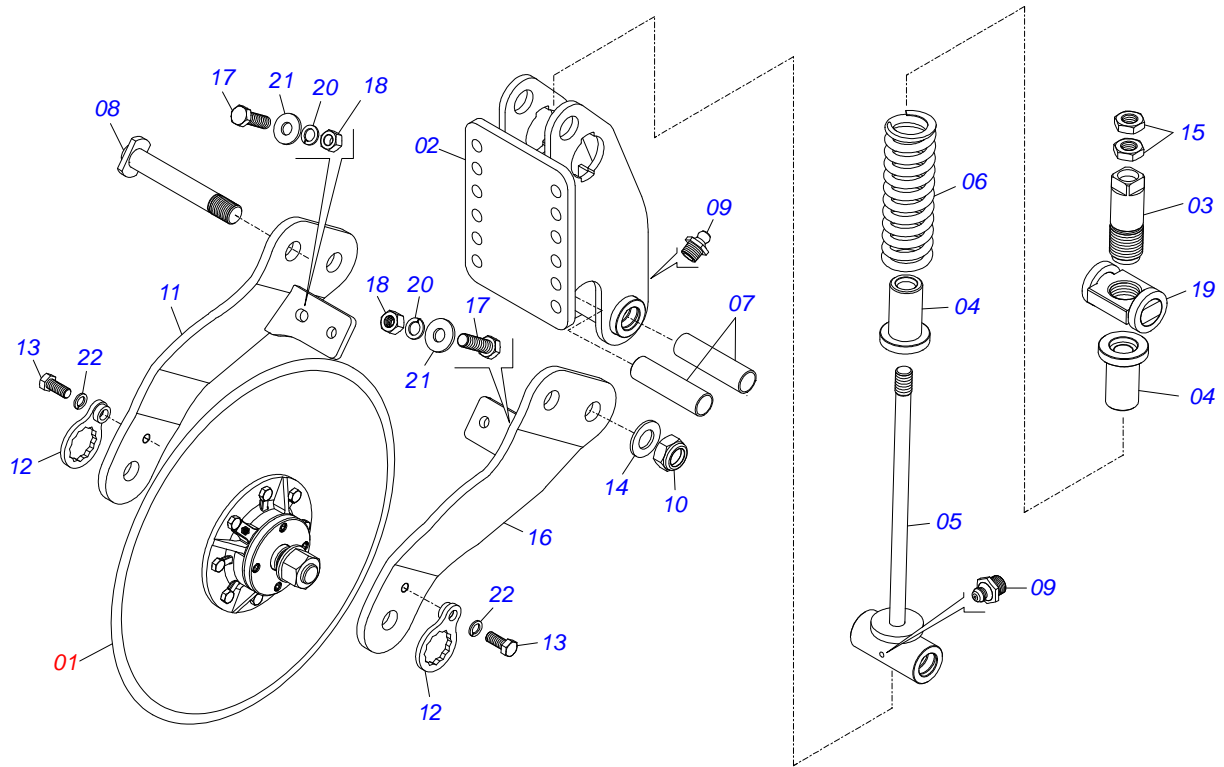
Item	Code	Description	QT
01	0521063832	BREAK ROLLER SUPPORT	01
02	0511069433	BREAK ROLLER BRACKET	02
03	0503010232	5/8" X 1.3/4" BOLT	04
04	0503010013	5/8" NUT	04
05	0521063137	BREAK ROLLER	01
06	0531018575	ARRUELA CONCAVA 33,50X 140X 4,75	02
07	0501058802	5/8 UNC X 2.3/4 BOLT ASSY	04
07A	0503015154	5/8" X 2.3/4" BOLT	04
07B	0501010947	5/8 NUT LOCK	04
07C	0501012140	FLAT WASHER	04
07D	0503010013	5/8" NUT	08
08	0501010752	1.1/4" X 500 AXLE	02
09	1902010835	1-1/4" EXTERNAL AXLE WASHER	04
10	0501010087	1.1/4" NUT	04
11	0501010455	1.1/4" NUT LOCK	04
12	0501010063	1/2" X 1-1/2" BOLT	04
13	0503011440	SPRING WASHER	04
14	0503010060	1/2" NUT	04
15	0503011445	SPRING WASHER	04
16	0501046922	7.5" X 1-1/4" OIL BATH BEARING	02



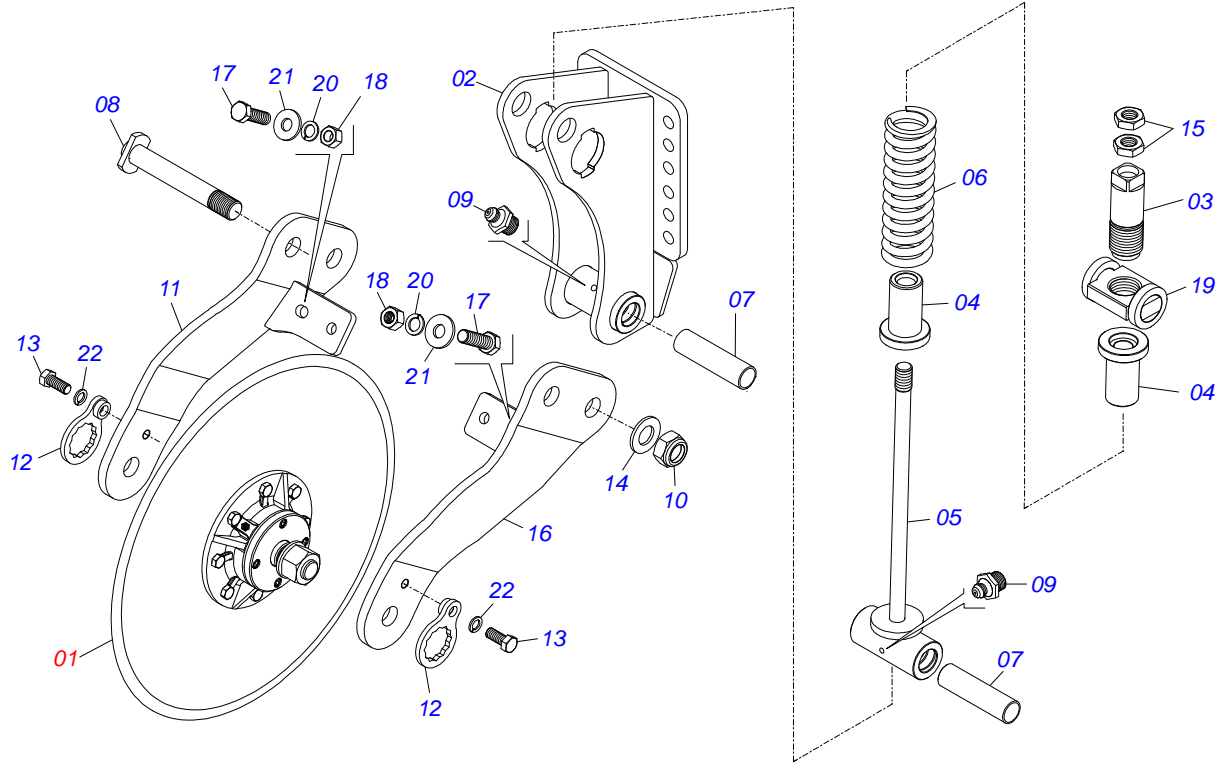
Item	Code	Description	
01	0502010540	HOUSING DM	01
02	0503010111	30210 ROLLER BEARING	02
03	0502040218	AXLE	01
04	0503030013	4.4" X 3.5" X 0.004" JOINT	02
05	0503030684	4.4" X 3.5" X 0.004" JOINT	01
06	0502020424	HOUSING CAP DM	01
07	0503010134	3/8" X 1" BOLT	04
08	0503030026	SEAL LP JB-253	02
09	0502010541	SEAL RETAINER	02
10	0502010070	OUTER FLANGE	01
11	0502010071	INNER FLANGE	01
12	0503010856	OIL PLUG	01



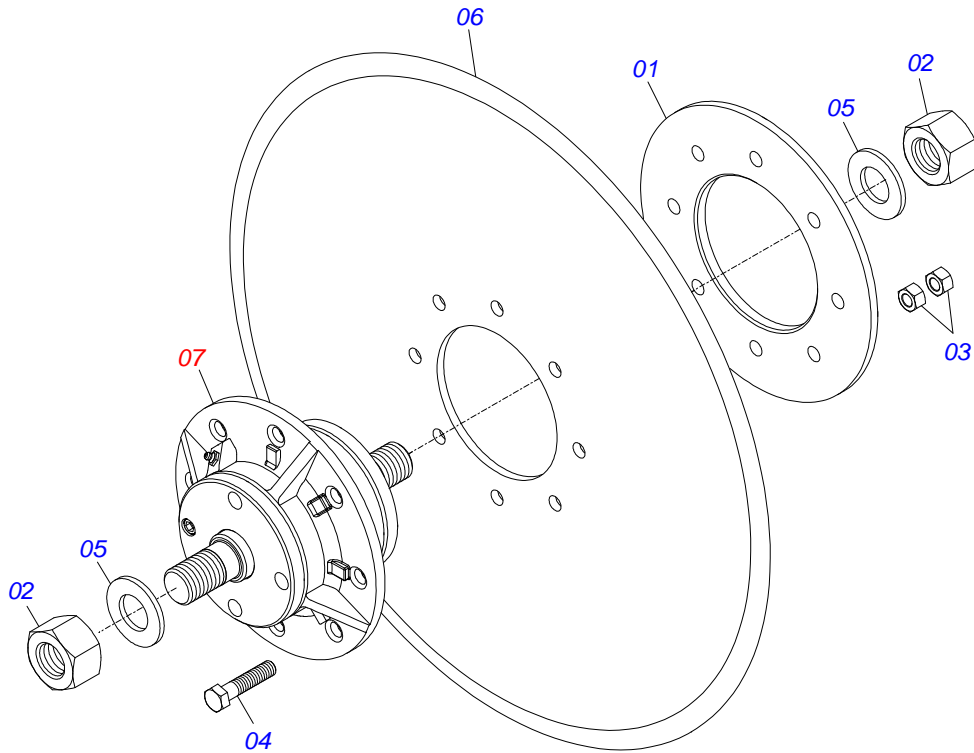
Item	Code	Description	QT
01	0502012451	TURNBUCLE	01
02	0502011551	REAR FIXER	01
03	0521013024	28,50 X 184 AXLE	02
04	0503010571	1/4" X 1.1/2 COTTERPIN	08
05	0502011164	SUPPORT SPRING	01
06	0503011135	7/16" X 1-1/2" BOLT	01
07	0503010244	7/16" NUT	01
08	0511015689	1.1" X 3.5" COUPLING SHAFT	02
09	0521011631	AUTOMATIC RESET	01
10	0511068435	POINT SUBSOILER	01
11	0503010850	7/16" X 3" BOLT	01
12	0501012803	FLAT WASHER	01
13	0503010244	7/16" NUT	01
14	0502011552	FRONT FIXER	01
15	0511019527	1" X 8" BOLT	04
16	0503011438	SPRING WASHER	04
17	0503010063	1" SELF-ALIGNING NUT	04



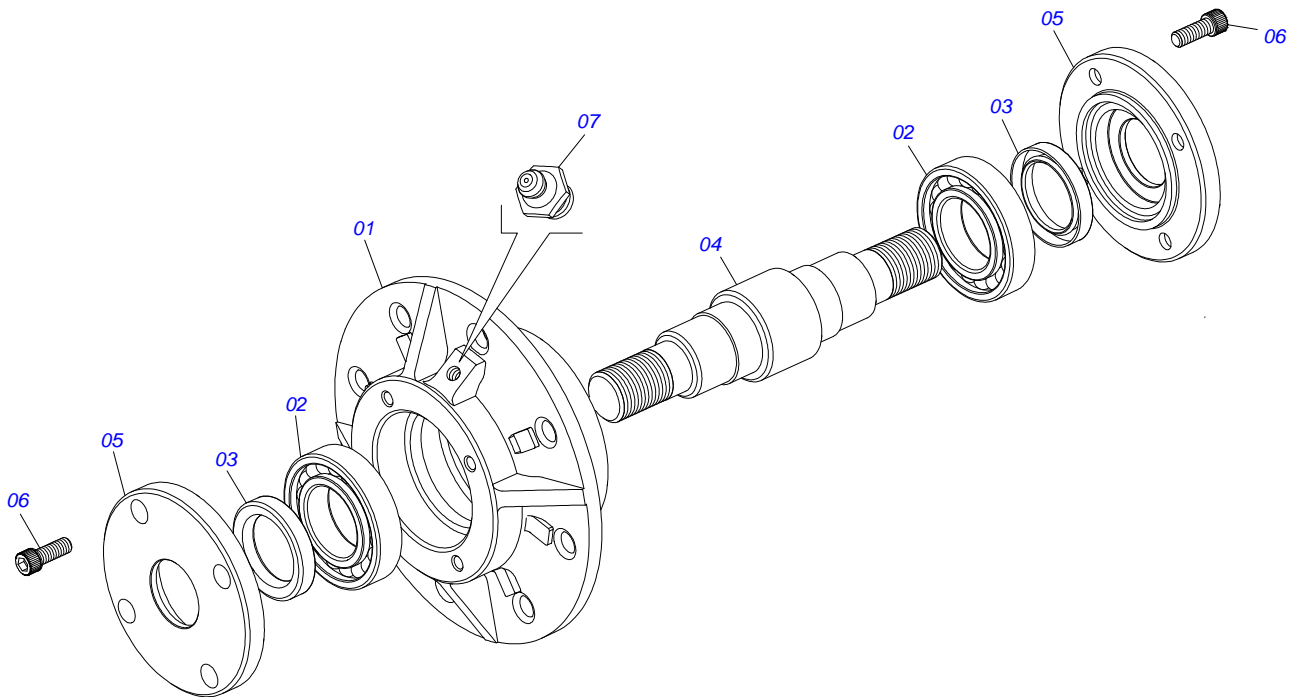
Item	Code	Description	QT
01	0511053370	24" X 7,5 BLADE DISC ASSY	01
02	0511068433	FRONT DISC BLADE FIXER	01
03	0571010668	2" REGULATOR SPINDLE	01
04	0571010669	SLEEVE	02
05	0521062925	PRING ROD	01
06	0503031390	2.1"X10"X1/2" COMPRESSION SPRING	01
07	0551014549	32,54 SLEEVE	02
08	0521062926	COUPLING SHAFT	02
09	0503010002	GRAXEIRA 1800	02
10	0503010044	1-1/4" SELF-ADJUSTING NUT	02
11	0521062924	RIGHT ARM THE BLADE DISC	01
12	0501069637	AXLE NUT LOCK	02
13	0503011267	5/8" X 1.1/2" BOLT	02
14	0501017779	FLAT WASHER	02
15	0503013635	1" NUT	02
16	0521064686	RIGHT ARM OF THE BLADE DISC	01
17	0501010100	5/8 UNC X 2 C S G.5 BOLT	02
18	0503010013	5/8" NUT	02
19	0521064687	SPRING LOCKNUT	01
20	0503011445	SPRING WASHER	02
21	0501012140	FLAT WASHER	02
22	0503010027	SPRING WASHER	02



Item	Code	Description	QT
01	0511053370	24" X 7,5 BLADE DISC ASSY	01
02	0511068432	BLADE DISC REAR FIXER	01
03	0571010668	2" REGULATOR SPINDLE	01
04	0571010669	SLEEVE	02
05	0521062925	PRING ROD	01
06	0503031390	2.1"X10"X1/2" COMPRESSION SPRING	01
07	0551014549	32,54 SLEEVE	02
08	0521062926	COUPLING SHAFT	02
09	0503010002	GRAXEIRA 1800	02
10	0503010044	1-1/4" SELF-ADJUSTING NUT	02
11	0521062924	RIGHT ARM THE BLADE DISC	01
12	0501069637	AXLE NUT LOCK	02
13	0503011267	5/8" X 1.1/2" BOLT	02
14	0501017779	FLAT WASHER	02
15	0503013635	1" NUT	02
16	0521064686	RIGHT ARM OF THE BLADE DISC	01
17	0501010100	5/8 UNC X 2 C S G.5 BOLT	02
18	0503010013	5/8" NUT	02
19	0521064687	SPRING LOCKNUT	01
20	0503011445	SPRING WASHER	02
21	0501012140	FLAT WASHER	02
22	0503010027	SPRING WASHER	02



Item	Code	Description	QT
01	0521011824	BLADE DISC FLANGE OUTER	01
02	0501010087	1.1/4" NUT	02
03	0503010060	1/2" NUT	16
04	0503010905	1/2" X 2-1/4" BOLT	08
05	0501017779	FLAT WASHER	02
06	0603030067	24" X 7,5 PLAIN COULTER BLADE	01
07	0501057526	DISC HUB	01



Item	Code	Description	QT
01	0502011478	DISC HUB	01
02	0503011291	6209 BALL BEARING	02
03	0503012106	00521-BR SEAL	02
04	0521012661	BLADE DISC AXLE HUB	01
05	0502011477	BLADE DISC HOUSIG CP	02
06	0503010134	3/8" X 1" BOLT	08
07	0503010002	GRAXEIRA 1800	01



email: civemasa@civemasa.com.br

www.civemasa.com.br

Phone: +55 16.3382.8222

Fax: +55 16.3382.8355

MARCHESAN IMPLEMENTOS E MÁQUINAS AGRÍCOLAS "TATU" S.A.

Av. Marchesan, 1979 - Post Office box, 131 - Cep 15994-900 - Matão - Sp - Brasil

CNPJ 52.311.289/0001-63 | Inst. Est.441.000.151.114

Technical Publications: Elaboration
JOÃO VIRGINIO ROCHA

Contact Catálogo:
E-mail = jgaspari@marchesan.com.br

**ORIGINAIS PARTS
CIVEMASA**

The Civemasa logo, identical to the one at the top of the page, is positioned at the bottom right of the page. It features the word "civemasa" in a bold, italicized, black sans-serif font, with three vertical bars above the letters "i", "v", and "e" in orange, green, and orange colors.