

DISK HARROWS

SGAC TR - 12/14/16/18D

Code: 0501091729
Series: S-1297
Revision: 00
Revision Date: FEVEREIRO/2023

PARTS CATALOGUE

CIVEMASA



PRODUCTS

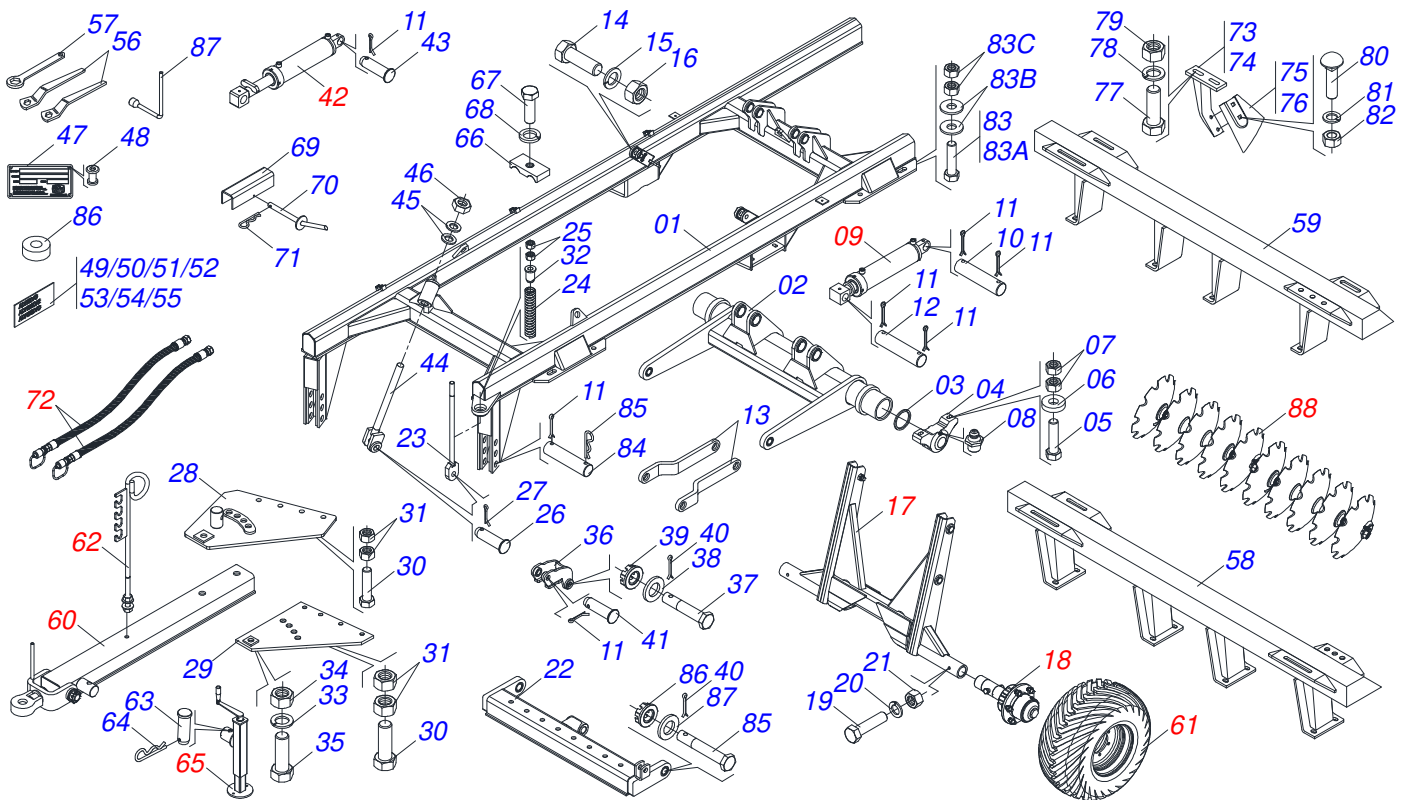
Code	Description
0120150077	SGAC 12TR 30X7,5 DR S-1297
0120150078	SGAC 12TR 32 X 9,0 DR S-1297
0120150079	SGAC 12TR 34 X 9,0 DR S-1297
0120150056	SGAC 14C-TR 30X7,5R(400/60) 6190571
0120150055	SGAC 14TR 30X7,5 REC 6190517 S-1297
0120150054	SGAC 14TR 32X9,0 REC 6190508 S-1297
0120150053	SGAC 14TR 34X9,0 REC 6190526 S-1297
0120150057	SGAC 16 TR 32X9,0DR (400/60)6190580
0120150052	SGAC 16TR 30X7,5 REC 6190489 S-1297
0120150046	SGAC 16TR 32X9,0 REC 6190470 S-1297
0120150051	SGAC 16TR 34X9,0 REC 6190499 S-1297
0120150050	SGAC 18TR 30X7,5 REC 6190544 S-1297
0120150047	SGAC 18TR 32X9,0 REC 6190535 S-1297
0120150049	SGAC 18TR 34X9,0 REC 6190553 S-1297

ATTENTION: IMPORTANT

CIVEMASA reserves the right to improve and/or modify the technical features of its products, without obligation to do the same with those products already sold and without prior knowledge of the dealer or the customer. The photos are only illustrative.

INDEX

0909094747	ASSY FRAME	1
0501048562	HYDRAULIC CYLINDER 53,98X101,6X630X300	2
0521045051	WHEELS ASSY	3
0501055850	CARRYNG WHEEL HUB ASSEMBLY ASSY	4
0511045870	HYDRAULIC CYLINDER 101,6 X 53,68 X 520 X 200	5
0511050170	HARNESS ASSY	6
0503061868	400/60 WHEEL WITH TIRE	7
0501040257	3/4 X 1200 HOSE HOLDER A	8
0511048088	DRAWBAR JACK	9
0909094731	HYDRAULIC CIRCUIT	10
0501053834	MALE QUICK COUPLER	11
0909092017	ASSY DISC SECTION	12
0501048557	BEARING OIL	13



Item	Code	Description	See page	12	14	16	18
01	0511068622	FRAME GVPF		01	01	01	01
02	0511068627	WHEEL AXLE		01	01	01	01
03	0503012223	FELT RING		02	02	02	02
04	0502011583	BEARING AXLE		02	02	02	02
05	0503810797	BOLT		04	04	04	04
06	0521013710	WASHER SEMIMAN		04	04	04	04
07	0503012183	SNC 3/4" ZIN 1K03097 NUT		32	36	40	44
08	0503010002	1800 GREASE FITTING		04	04	04	04
09	0501048562	HYDRAULIC CYLINDER 53,98X101,6X630X300	2	02	02	02	02
10	0521013707	HEADLESS PIN		02	02	02	02
11	0503010010	1/4" X 2.1/2" COTTERPIN		09	09	09	09
12	0521013706	HEADLESS PIN		02	02	02	02
13	0511063681	ARM		02	02	02	02
14	0503011432	BOLT		02	02	02	02
15	0503010012	1" SPRING WASHER		02	02	02	02
16	0503012182	1" NUT		18	18	18	18
17	0521045051	WHEELS ASSY	3	01	01	01	01
18	0501055850	CARRYNG WHEEL HUB ASSEMBLY ASSY	4	02	02	02	02
19	0503811084	BOLT		02	02	02	02
20	0503010023	3/4" SPRING WASHER		02	02	02	02
21	0503812183	NUT		02	02	02	02
22	0511068631	DRAWBAR ASSY		01	01	01	01
23	0501066240	SPRING ROD		01	01	01	01
24	0503031341	2.7 X 8 X 0.5 COMPRESSION SPRING		01	01	01	01
25	0501010059	1.5/8 NUT		02	02	02	02
26	0521010592	1.1" X 3.1" COUPLING SHAFT		01	01	01	01
27	0503010571	1/4" X 1.1/2 COTTERPIN		01	01	01	01
28	0511068632	TOP HITCH PLATE		01	01	01	01
29	0521061881	LOWER HITCH PLATE		01	01	01	01
30	0501810219	SCREW 1		04	04	04	04
31	0503812182	HEXAGONAL NUT		08	08	08	08

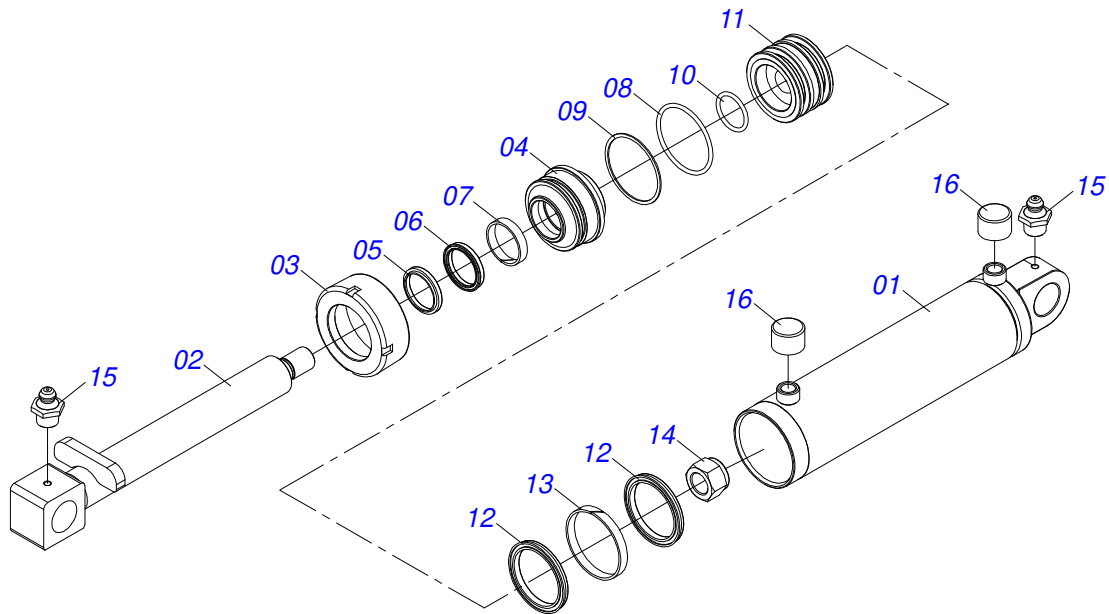
ASSY FRAME

Item	Code	Description	See page	12	14	16	18
32	0502020392	SPRING SUPPORT		02	02	02	02
33	0503010070	SPRING WASHER		01	01	01	01
34	0503812181	HEXAGONAL NUT		01	01	01	01
35	0503012192	1-1/4" X 8 BOLT		01	01	01	01
36	0521062108	HEADING ARTICULATION		01	01	01	01
37	0521013739	BOLT HARNESS		01	01	01	01
38	0501812916	FLAT WASHER		01	01	01	01
39	0502011592	CASTLE NUT		01	01	01	01
40	0503010010	1/4" X 2.1/2" COTTERPIN		01	01	01	01
41	0551015334	PIN		01	01	01	01
42	0511045870	HYDRAULIC CYLINDER 101,6 X 53,68 X 520 X 200	5	01	01	01	01
43	0551015331	PIN		01	01	01	01
44	0511068629	PISTON TIME		01	01	01	01
45	0521014368	FLAT WASHER		02	02	02	02
46	0501010333	1.3/4" NUT		02	02	02	02
47	0503034004	ALUMINUM IDENTIFICATION LABEL		01	01	01	01
48	0503010001	3.2 X 5.5 RIVET		04	04	04	04
49	0503033038	DANGER SIGN		02	02	02	02
50	0503031428	READ MANUAL DECAL		01	01	01	01
51	0503031738	ADHESIVE LABEL		01	01	01	01
52	0503033647	APPROVED BADGE		01	01	01	01
53	0503034203	ADHESIVE		02	02	02	02
54	0503031739	ADHESIVE LABEL		01	01	01	01
55	0503034355	EMBLEM		02	02	02	02
56	0501011431	1-3/4" GANG BOLT WRENCH		02	02	02	02
57	0531013656	WRENCH		01	01	01	01
58	0511060517	FRONT GANG CARRIER ASSY - 12		01	00	00	00
58.	0511060133	FRONT GANG CARRIER ASSY - 14		00	01	00	00
58..	0511060347	FRONT GANG CARRIER ASSY - 16		00	00	01	00
58...	0511062341	FRONT GANG CARRIER ASSY - 18		00	00	00	01
59	0511060518	REAR GANG CARRIER ASSY - 12		01	00	00	00
59.	0511060134	REAR GANG CARRIER ASSY - 14		00	01	00	00
59..	0511060348	REAR GANG CARRIER ASSY - 16		00	00	01	00
59...	0511062342	REAR GANG CARRIER ASSY - 18		00	00	00	01
60	0511050170	HARNESS ASSY	6	01	01	01	01
61	0503061868	400/60 WHEEL WITH TIRE	7	02	02	02	02
62	0501040257	3/4 X 1200 HOSE HOLDER A	8	01	01	01	01
63	0561014251	COUPLING SHAFT		01	01	01	01
64	0503030012	HITCH PIN CLIP		01	01	01	01
65	0511048088	DRAWBAR JACK	9	01	01	01	01
66	0502012702	BODY SUPPORT CLAMP		03	03	03	03
67	0503012555	SCREW 7/16 UNC X 2 CS RT G.7 ZN		03	03	03	03
68	0503010180	7/16" SPRING WASHER		03	03	03	03
69	0591019958	LOCK FOR TRANSPORTATION		02	02	02	02
70	0511060137	ASSEMBLY LOCK PIN		02	02	02	02
71	0503031464	TM 211 X 3,0 STAPLE		02	02	02	02
72	0909094731	HYDRAULIC CIRCUIT	10	01	01	01	01
73	0511060138	FRONT CLEANER SUPPORT		06	07	08	09
74	0511060139	REAR CLEANER SUPPORT		06	07	08	09
75	0521013678	FRONT CLEANER		06	07	08	09
76	0521013679	REAR CLEANER		06	07	08	09
77	0503012180	FRENCH 3/4" X 2 BOLT		24	28	32	36
78	0503010023	3/4" SPRING WASHER		24	28	32	36
79	0503012183	SNC 3/4" ZIN 1K03097 NUT		24	28	32	36
80	0503012195	5/8" NUT		24	28	32	36
81	0503010027	5/8 SPRING WASHER		24	28	32	36
82	0503010013	5/8 NUT		24	28	32	36
83	0531041590	1 X 4 C S COMPLETE SCREW ASSEMBLY		08	08	08	08
83A	0503011432	BOLT		01	01	01	01

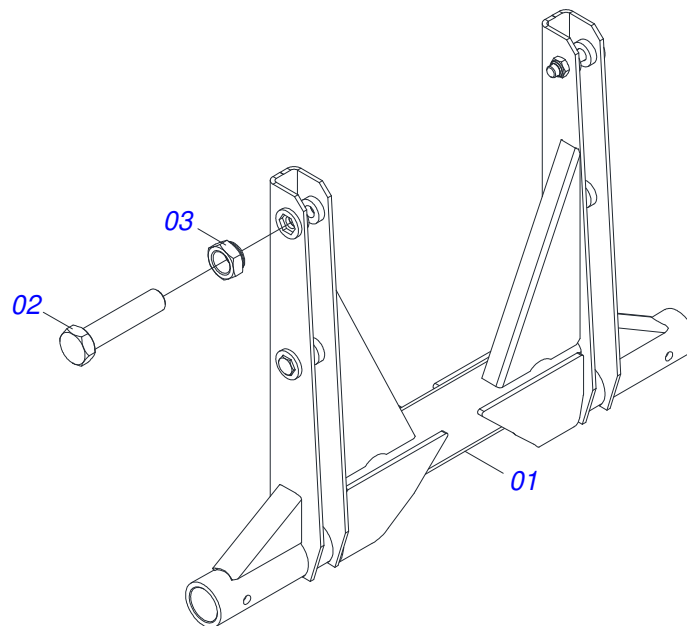
ASSY FRAME

0909094747

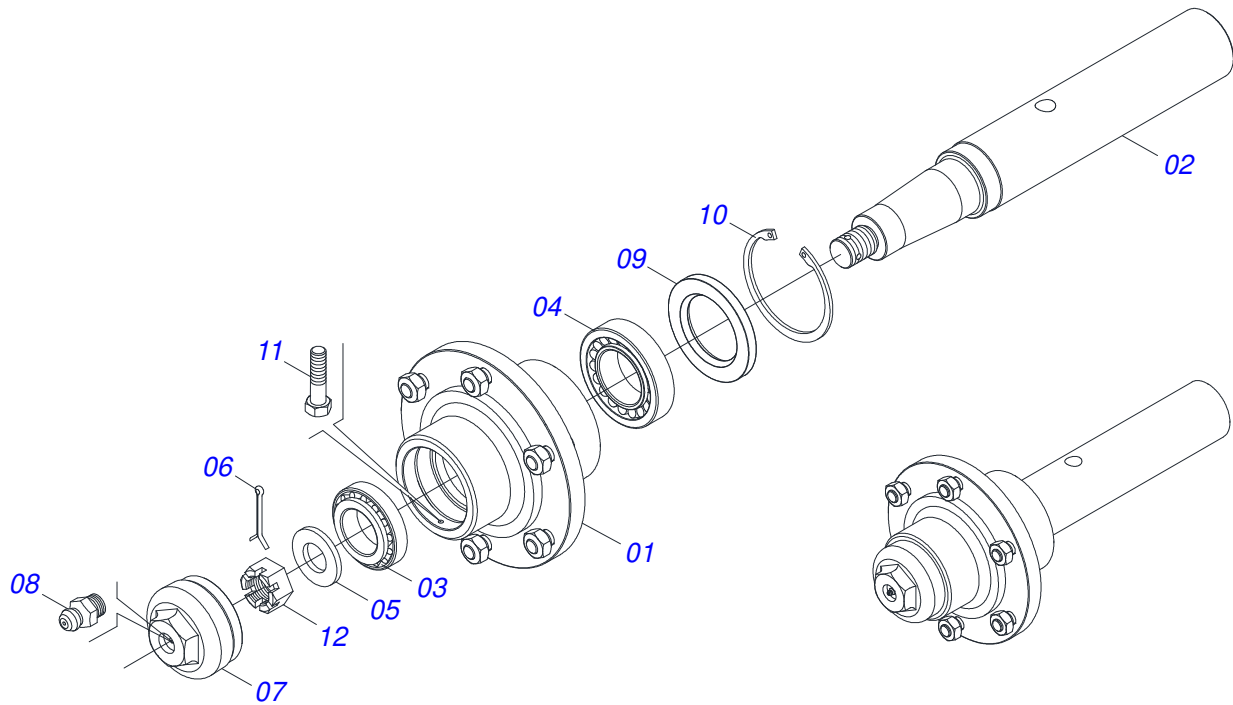
Item	Code	Description	See page	12	14	16	18
83B	0521015523	BOOST		02	02	02	02
83C	0503012182	1" NUT		02	02	02	02
84	0521013704	PIN FREE HEAR		02	02	02	02
85	0503031479	STAPLE		02	02	02	02
86	0503013171	SEALING		01	01	01	01
87	0503018438	1" WRENCH CYLINDRICAL HEX		01	01	01	01
88	0909092017	ASSY DISC SECTION	12	12	14	16	18



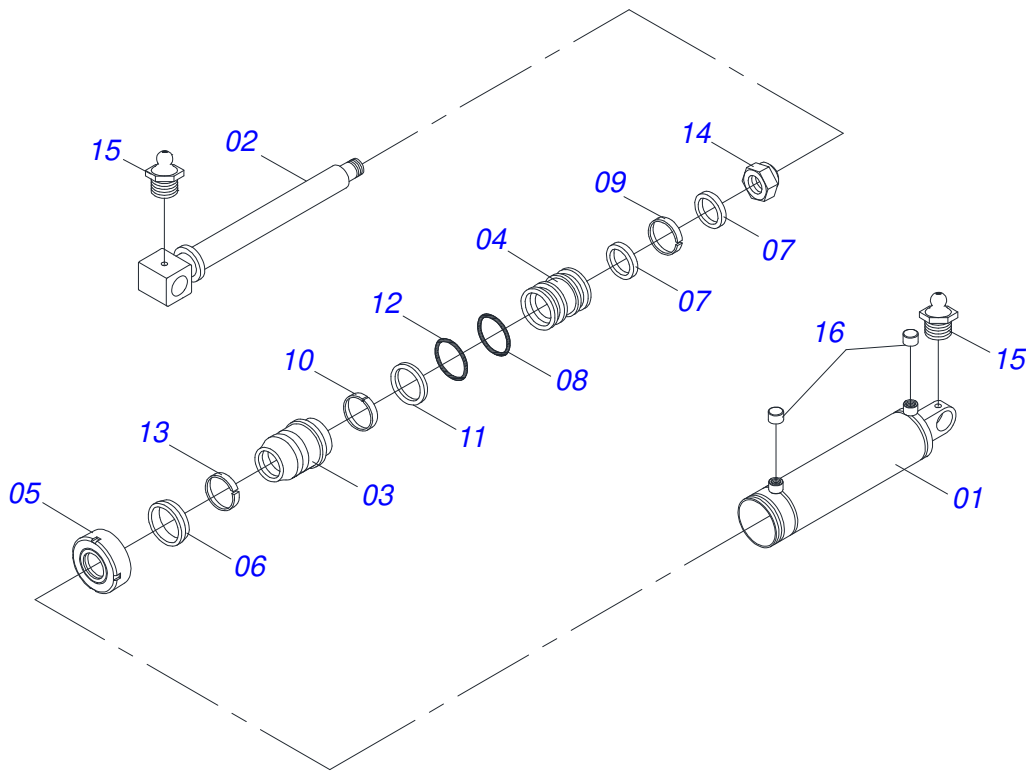
Item	Code	Description	See page	QT
01	0511062252	101,6 X 418 CYLINDER CASE		01
02	0511062250	53,98 X 509 TURNBUCLE		01
03	0502010017	4" HEAD		01
04	0502011250	RING OF SUPPORT		01
05	0503010319	D-2125 SCRAPER		01
06	0503010314	GASKET		01
07	0503010973	W2-2500-500 PK O'RING G.E		01
08	0503011061	8-342 BACK-UP RING		01
09	0503010338	2-342 N 3006-9B O'RING		01
10	0503010345	2-218 N 3006-9B O'RING		01
11	0502011969	53,98 X 101,60 PISTON		01
12	0503010043	PACKING 3750-3250		02
13	0503010994	W2-4000-500 PK RING G.E		01
14	0503010817	1.1/4" SELF LOCKING NUT		01
15	0503010002	1800 GREASE FITTING		02
16	0503030384	CON PLUG N-001		02



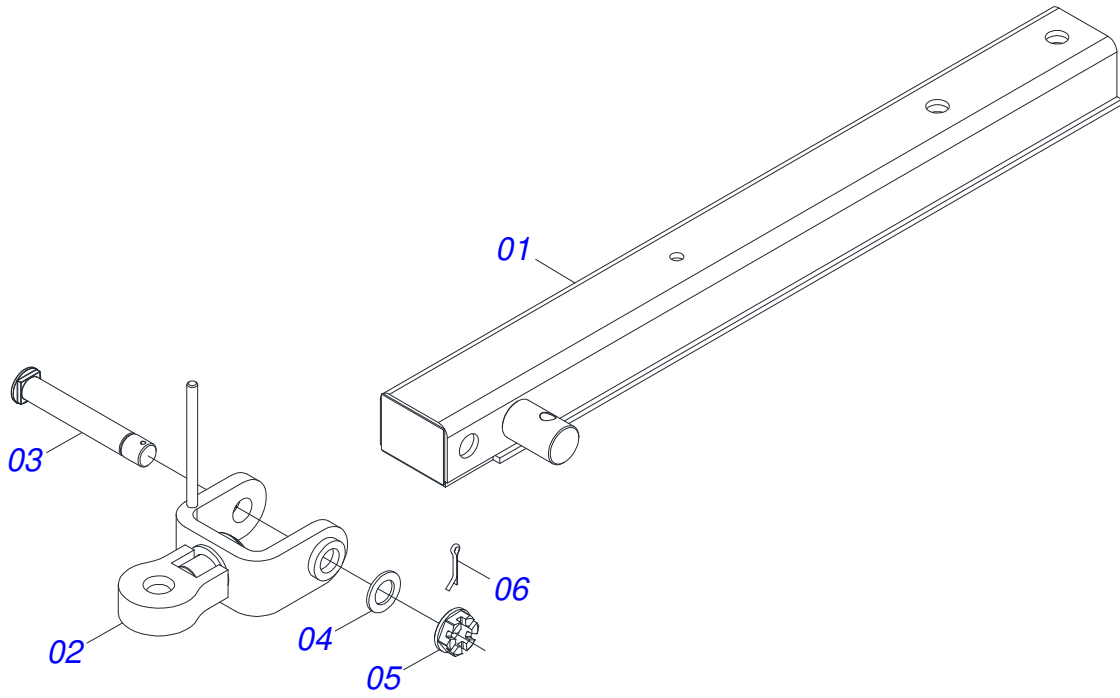
Item	Code	Description	See page	QT
01	0511068626	ASSEMBLY CARRYING-WHEELS		01
02	0501011547	1" X 4-1/2" BOLT		04
03	0503014182	SELF-ADJUSTING NUT		04



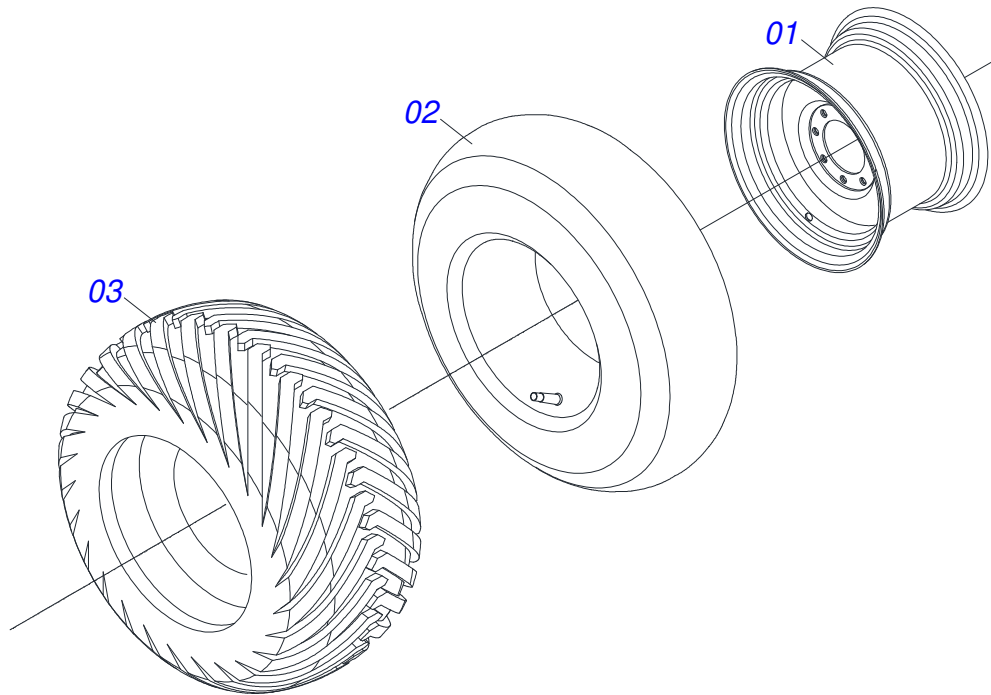
Item	Code	Description	See page	QT
01	0501110766	HUB CARRYING WHEELS WITH BOLT		01
02	0541014720	CR 7076205/1/1 AXLE		01
03	0503010006	32210 ROLLER BEARING		01
04	0503010005	32212 ROLLER BEARING		01
05	0501010086	FLAT WASHER		01
06	0503010067	3/16" X 2.1/2" COTTER PIN		01
07	0502011647	COVER		01
08	0503010691	1/4" GREASE FITTING		01
09	0503010009	RETAINER 00573-B		01
10	0503012723	502115 RENO RING		01
11	0503010298	1/4" X 1/2" BOLT		01
12	0503012457	UNF 1.1/4" CASTLE NUT		01



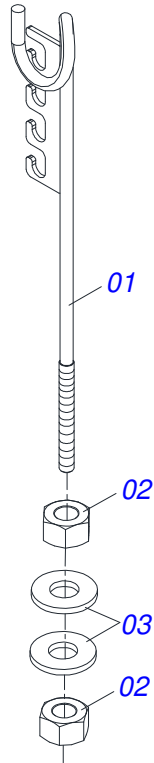
Item	Code	Description	See page	QT
01	0511068637	CYLINDER CASE		01
02	0501077351	TURNBUCKLE		01
03	0502011250	RING OF SUPPORT		01
04	0502011969	53,98 X 101,60 PISTON		01
05	0502010017	4" HEAD		01
06	0503010319	D-2125 SCRAPER		01
07	0503010043	PACKING 3750-3250		02
08	0503010345	2-218 N 3006-9B O'RING		01
09	0503010994	W2-4000-500 PK RING G.E		01
10	0503010973	W2-2500-500 PK O'RING G.E		01
11	0503010338	2-342 N 3006-9B O'RING		01
12	0503011061	8-342 BACK-UP RING		01
13	0503010314	GASKET		01
14	0503010817	1.1/4" SELF LOCKING NUT		01
15	0503010002	1800 GREASE FITTING		02
16	0503030384	CON PLUG N-001		02



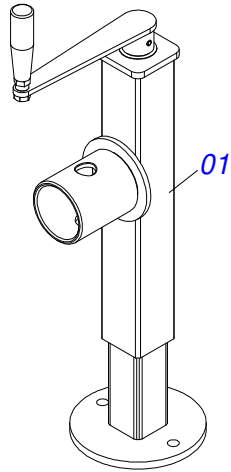
Item	Code	Description	See page	QT
01	0511060119	HARNESS		01
02	0521062956	HITCH		01
03	0561018588	COUPLING SHAFT		01
04	0501011301	1.1/2 UNC 6FPP 2.5/16 NUT		01
05	0501012916	FLAT WASHER 40 X 66 X 4,75 ZN		01
06	0503010010	1/4" X 2.1/2" COTTERPIN		01



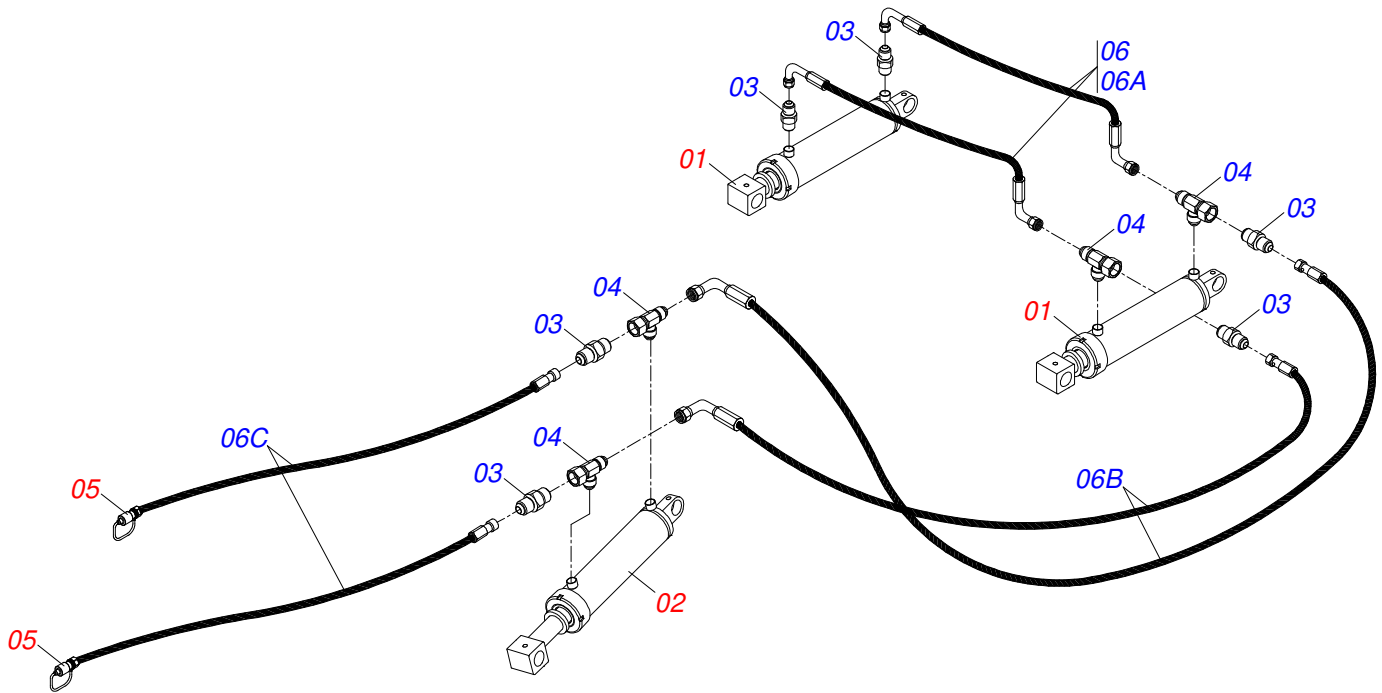
Item	Code	Description	See page	QT
01	0503012916	W-13 X 16,5 HOOP WHEEL		01
02	0503012112	400/60 - 15.5 TR 15 INNER TIRE		01
03	0503013119	CANVAS TIRE		01



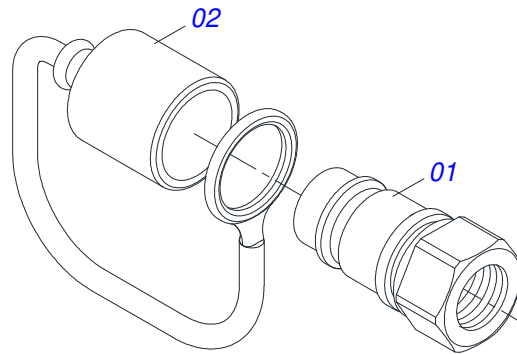
Item	Code	Description	See page	QT
01	0511067334	HOSE SUPPORT		01
02	0503010014	3/4" HEX NUT		02
03	0501010322	FLAT WASHER		02



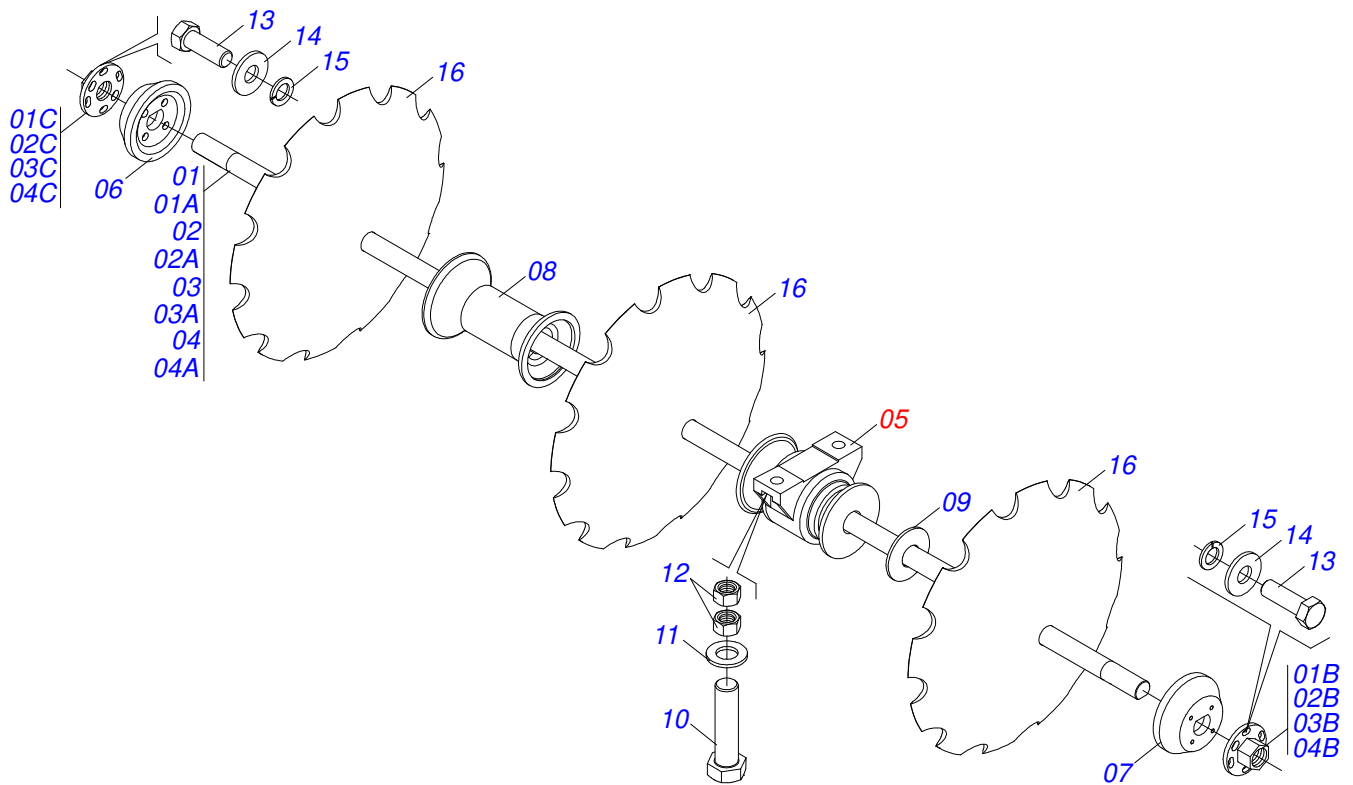
Item	Code	Description	See page	QT
01	0503062227	DRAWBAR JACK		01



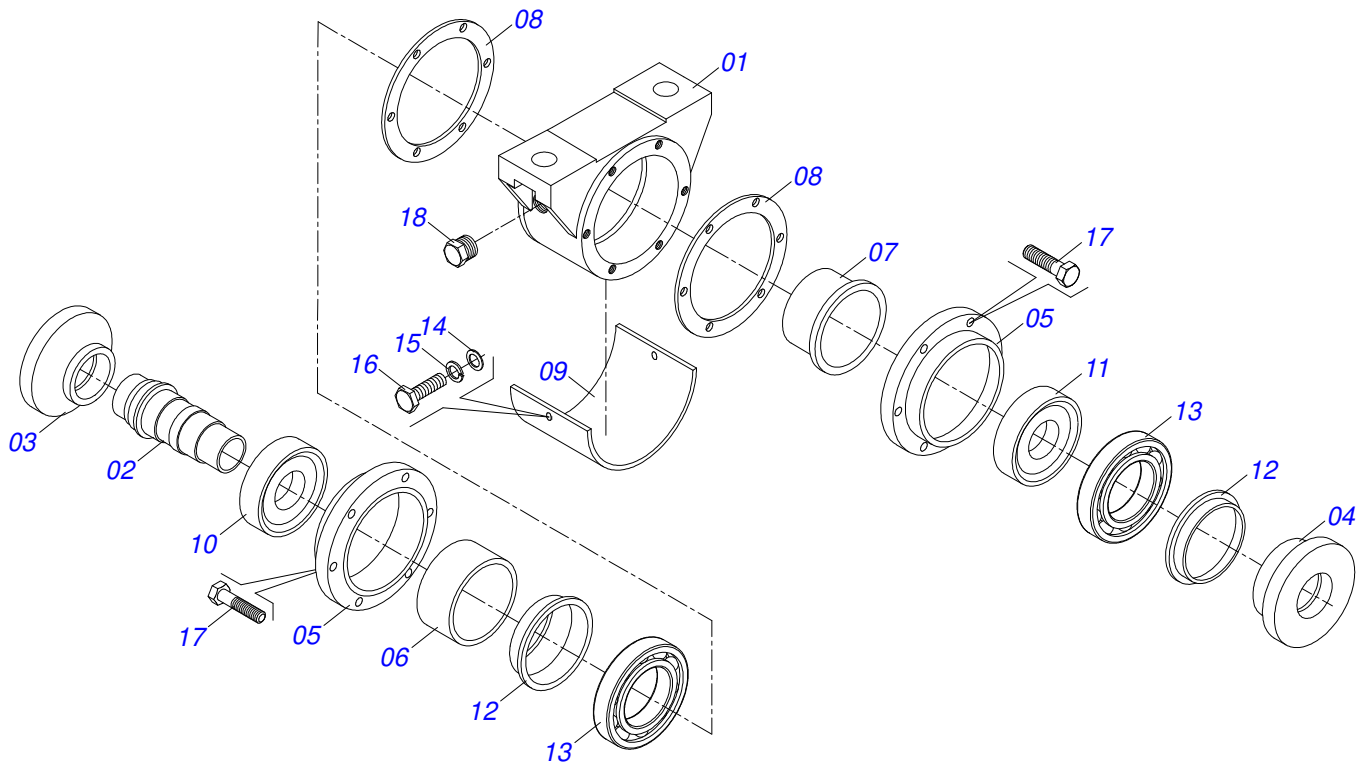
Item	Code	Description	See page	QT
01	0501048562	HYDRAULIC CYLINDER 53,98X101,6X630X300	2	02
02	0511045870	HYDRAULIC CYLINDER 101,6 X 53,68 X 520 X 200	5	01
03	0551012528	ADAPTER (GND)		06
04	0503011968	3/4" 8R6X-S T ADAPTER WITH SWIVEL NUT		04
05	0501053834	MALE QUICK COUPLER	11	02
06	0501058070	HOSE KIT		02
06A	0501080522	3/8 X 700 TC-TC HOSE ASSY		02
06B	0501080390	3/8" X 150" TR-TC HOSE ASSY		02
06C	0501080510	HOSE 3/8 X 3500 TR-TM		02



Item	Code	Description	See page	QT
01	0503011627	MALE QUICK COUPLER AGR 1/2 NPT		01
02	0503011882	MALE QUICK COUPLER CAP		01



Item	Code	Description	See page	12	14	16	18
01	0511050245	DISC AXLE 2" UNC X 2044 WITH NUT		02	00	00	00
01A	0521014358	DISC AXLE		01	00	00	00
01B	0502011580	RIGHT NUT		01	00	00	00
01C	0502011581	LEFT NUT		01	00	00	00
02	0511050179	DISC AXLE 2" UNC X 2405 WITH NUT		00	02	00	00
02A	0521013683	DISC AXLE		00	01	00	00
02B	0502011580	RIGHT NUT		00	01	00	00
02C	0502011581	LEFT NUT		00	01	00	00
03	0511050168	DISC AXLE 2" UNC X 1322 WITH NUT		00	00	04	02
03A	0521013942	DISC AXLE		00	00	01	01
03B	0502011580	RIGHT NUT		00	00	01	01
03C	0502011581	LEFT NUT		00	00	01	01
04	0511050172	DISC AXLE 2" UNC X 1682 WITH NUT		00	00	00	02
04A	0521014510	DISC AXLE		00	00	00	01
04B	0502011580	RIGHT NUT		00	00	00	01
04C	0502011581	LEFT NUT		00	00	00	01
05	0501048557	BEARING OIL	13	04	06	08	08
06	0502011577	OUTER FLANGE		02	02	04	04
07	0502011578	INNER FLANGE		02	02	04	04
08	0502011579	SPACER		06	06	04	06
09	0521013670	CHUCK		02	02	04	04
10	0503010901	3/4UNC 3.1/2 BOLT		08	12	16	16
11	0521013710	WASHER SEMIMAN		08	12	16	16
12	0503012183	SNC 3/4" ZIN 1K03097 NUT		16	24	32	32
13	0503010834	1/2 X 1 BOLT		08	08	16	16
14	0501010937	13,50 X 28 X 3,00 FLAT WASHER		08	08	16	16
15	0503010019	1/2" SPRING WASHER		08	08	16	16
16	0602040004	30" X 7,5 NOTCHED DISC BLADE		12	14	16	18
16.	0602044165	32" X 0.3" NOTCHED DISC BLADE		12	14	16	18
16..	0602046009	34 X 9 MM NOTCHED DISC		12	14	16	18



Item	Code	Description	See page	QT
01	0502011641	BEARIN BODY		01
02	0502011633	CENTER DEARIN		01
03	0502011630	WASHER CONCAVE		01
04	0502011631	WASHER CONVEX		01
05	0502011632	BEARING COVER		02
06	0502011827	SPACER		01
07	0502011629	SPACER		01
08	0503031502	JOINT BEARIN		02
09	0521013855	PLATE PROTECTION		01
10	0502011627	HOUSING RETAINE		01
11	0502011628	HOUSING RETAINE		01
12	0503012824	RETAINER		02
13	0503012285	32212 ROLLER BEARING		02
14	0501010984	10,50 X 27 X 3,00 FLAT WASHER		02
15	0503010025	3/8 SPRING WASHER		02
16	0503011334	BOLT 3/8 UNC X 3/4 CS G.5 ZN		02
17	0503010237	3/8" X 1" BOLT		12
18	0503010856	OIL PLUG		01



civemasa

Technical Publications | Elaboration and Revision
ALESSANDRA PATRICIA KAWAHARA CARRILI

www.civemasa.com.br

