

PARTS CATALOGUE

RTC 3000

Code: 0501091728



Series: S-0404

Review: AGOSTO/2016

ORIGINAL PARTS
CIVEMASA

civemasa

PRODUCTS

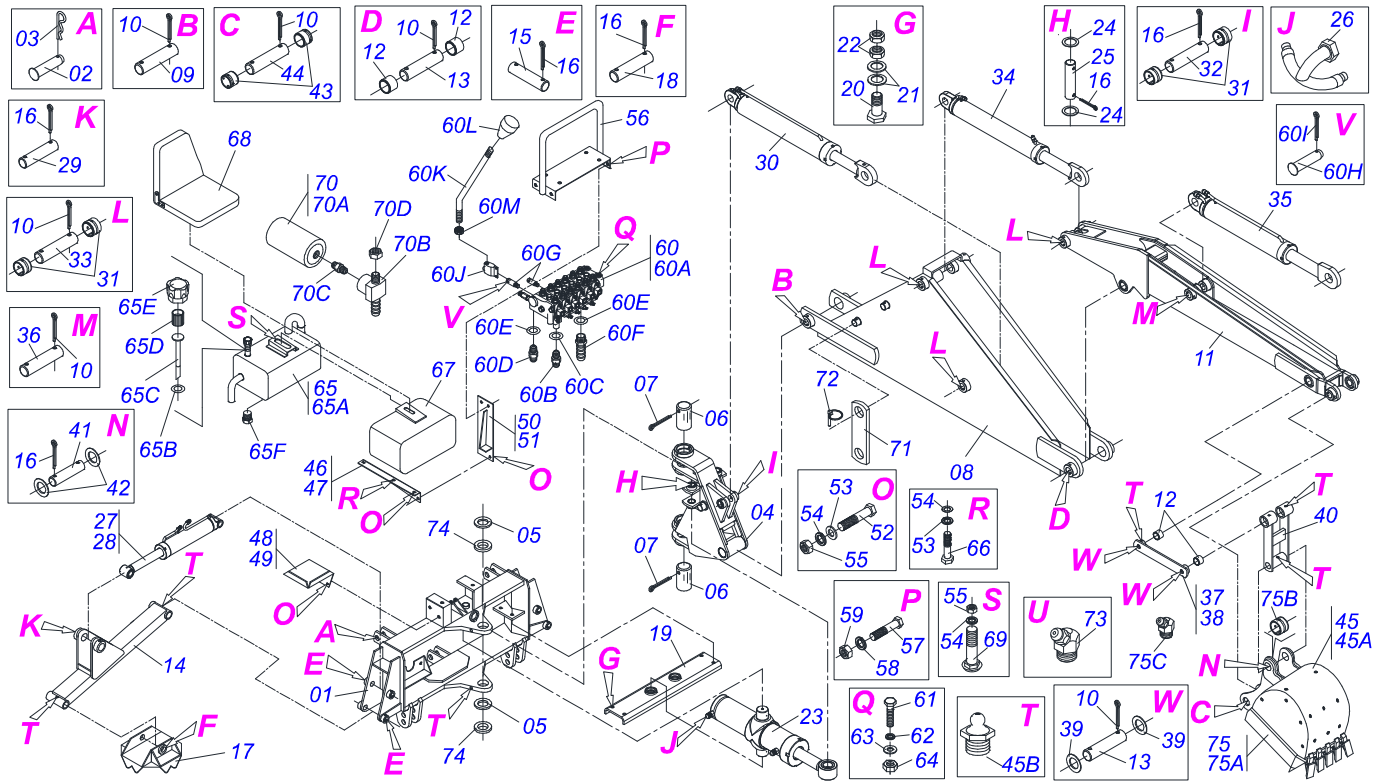
| Code | Description |
|------------|--|
| 0120710003 | RTC-3000 12 E 24 S-0404 |
| 0120710001 | RTC-3000 6/24 C/CACAMBA 24" 6153566 S-0404 |

ATTENTION: IMPORTANT

CIVEMASA RESERVES THE RIGHT AT ANY TIME TO MAKE IMPROVEMENTS IN THE DESIGN, MATERIAL OR SPECIFICATIONS OF MACHINERY, EQUIPMENT OR PARTS WITHOUT THEREBY BECOMING LIABLE TO MAKE SIMILAR CHANGES IN MACHINERY, EQUIPMENT OR PARTS PREVIOUSLY SOLD.

INDEX

| | | | |
|------------|---|-------|----|
| 0909091664 | BACKHOE FARM | | 1 |
| 0511059335 | SAFETY KIT | | 2 |
| 0501043438 | 1.7" X3.4" X 7" X 10" HYDRAULIC CYLINDER | | 3 |
| 0909090442 | STABILIZER HYDRALIC CYLINDER | | 4 |
| 0501043437 | 1.75" X 4" X 32" X 20" HYDRAULIC CYLINDER | | 5 |
| 0501042748 | 2" X 3.4" X 43" X 7" HYDRALIC CYLINDER | | 6 |
| 0501042747 | 2" X 3.7" X 28.3" X 16"HYDRAULIC CYLINDER | | 7 |
| 0909091665 | COUPLING SYSTEM | | 8 |
| 0501044149 | DRIVE SHAFT | | 9 |
| 0909091666 | HYDRAULIC CIRCUIT | | 10 |



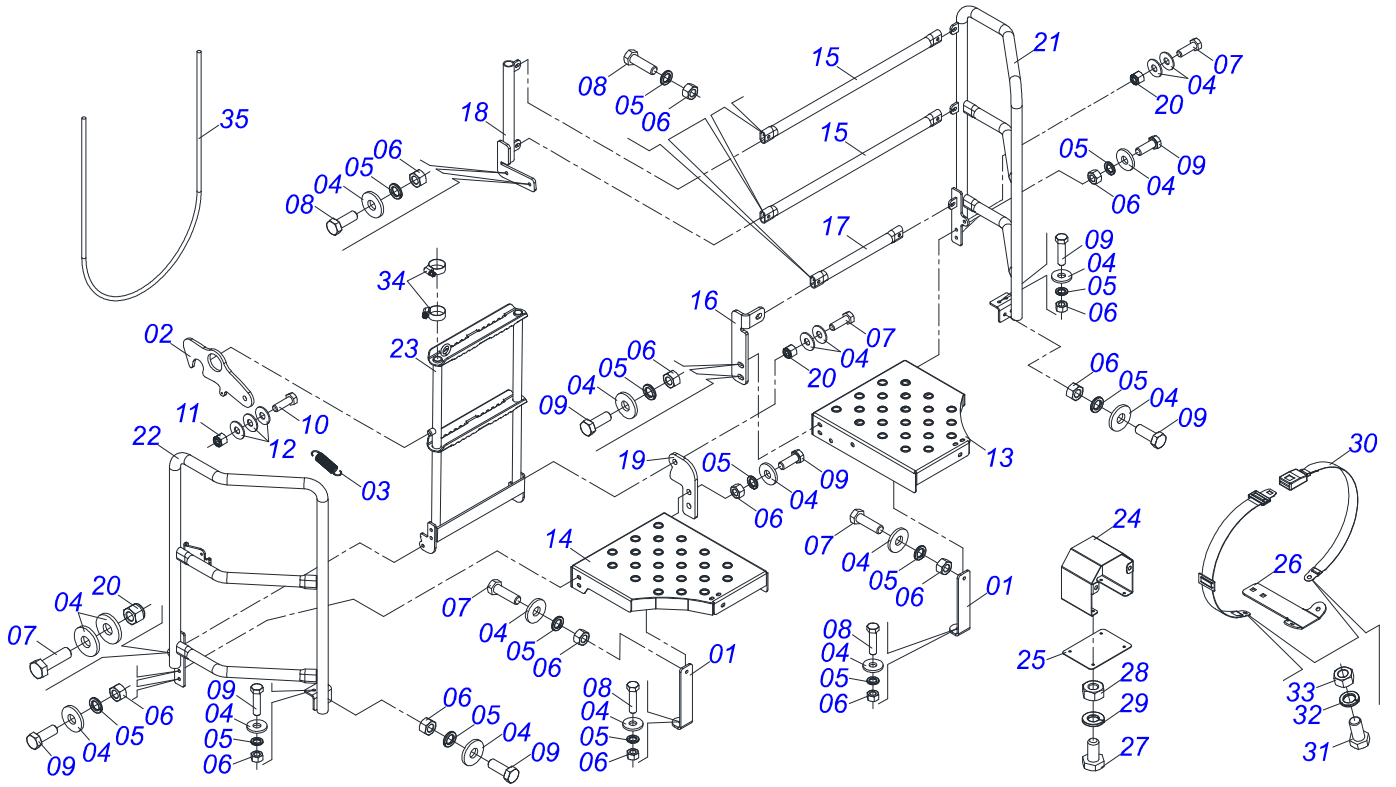
| Item | Code | Description | QT |
|------|------------|--|----|
| 01 | 0501065747 | TABLE | 01 |
| 02 | 0521010595 | 1.1" X 4.3" COUPLING SHAFT | 02 |
| 03 | 0503031035 | HAIR PIN | 02 |
| 04 | 0501065757 | ROTATIVE CASTLE | 01 |
| 05 | 0502020455 | FLAT WASHER | 02 |
| 06 | 0511011393 | 2.99" X 5.51" PIVOT SHAFT | 02 |
| 07 | 0503011132 | 3/8" X 5-1/2" COTTERPIN | 02 |
| 08 | 0501065851 | CHARGING BAR RTA 6 | 01 |
| 09 | 0521010623 | 1.99" X 10.2" COUPLING SHAFT | 01 |
| 10 | 0503010073 | 3/8 X 3-1/2 COTTERPIN | 16 |
| 11 | 0501065852 | ARM RTA 6 | 01 |
| 12 | 0521010470 | SLEEVE | 08 |
| 13 | 0521010611 | 1.37"X10.6"COUPLING SHAFT | 03 |
| 14 | 0501064655 | STABILIZER ARM | 02 |
| 15 | 0521010604 | 1.25" X 7.6" COUPLING SHAFT | 04 |
| 16 | 0503010534 | | 24 |
| 17 | 0501065728 | ESTABILIZER BRACKET | 02 |
| 18 | 0521010792 | 1.24" X 5.3" X 6.9" COUPLING SHAFT | 02 |
| 19 | 0501065025 | CYLINDER SUPPORT | 01 |
| 20 | 0503011067 | 5/8" X 2-1/2" BOLT | 04 |
| 21 | 0511010580 | CONICAL SPRING WASHER | 08 |
| 22 | 0503010129 | 5/8" NUT | 08 |
| 23 | 0501043438 | 1.7" X3.4" X 7" X 10" HYDRAULIC CYLINDER | 02 |
| 24 | 0501018466 | FLAT WASHER | 04 |
| 25 | 0521010603 | 1.2" X 6.1" COUPLING SHAFT | 02 |
| 26 | 0501065068 | TRIPLE TERMINAL | 02 |
| 27 | 0501043243 | 1.75" X 3.37" X 22.75" HYDRAULIC CYLINDER | 01 |
| 28 | 0501043244 | 1.7" X 3.7" X 22.7" X 11.8" HYDRAULIC CYLINDER | 01 |
| 29 | 0521010791 | 1.2" X 5.4" COUPLING SHAFT | 02 |
| 30 | 0501043437 | 1.75" X 4" X 32" X 20" HYDRAULIC CYLINDER | 01 |
| 31 | 0521010735 | SLEEVE | 06 |
| 32 | 0521010606 | 1.37" X 4.5" COUPLING SHAFT | 01 |
| 33 | 0521010608 | 1.37" X 8.07" COUPLING SHAFT | 03 |

| Item | Code | Description | QT |
|------|------------|--|----|
| 34 | 0501042748 | 2" X 3.4" X 43" X 7" HYDRALIC CYLINDER | 01 |
| 35 | 0501042747 | 2" X 3.7" X 28.3" X 16" HYDRAULIC CYLINDER | 01 |
| 36 | 0521010607 | 1.4" X 7.1" COUPLING SHAFT | 01 |
| 37 | 0501065848 | LEFT ARM LINK | 01 |
| 38 | 0501065746 | RIGHT ARM LINK | 01 |
| 39 | 0501018466 | FLAT WASHER | 04 |
| 40 | 0501064653 | BUCKET LINK | 01 |
| 41 | 0521010609 | 1.4" X 8.85" COUPLING SHAFT | 01 |
| 42 | 0501018466 | FLAT WASHER | 02 |
| 43 | 0521010471 | SLEEVE | 02 |
| 44 | 0521010610 | 1.4" X 9.4" COUPLING SHAFT | 01 |
| 45 | 0501110152 | 24" BUCKET | 01 |
| 45A | 0501064695 | BUCKET | 01 |
| 45B | 0503010002 | | 15 |
| 46 | 0511010551 | 23.6" RIGHT TANK SUPPORT | 01 |
| 47 | 0511010552 | 23.6" LEFT TANK SUPPORT | 01 |
| 48 | 0501065080 | RIGHT FOOT SUPPORT | 01 |
| 49 | 0501065081 | LEFT FOOT SUPPORT | 01 |
| 50 | 0501064849 | SUPPORT SIDE CONTROL VALVE | 01 |
| 51 | 0501064850 | SUPPORT SIDE CONTROL VALVE | 01 |
| 52 | 0501010063 | 1/2" X 1-1/2" BOLT | 06 |
| 53 | 0511017302 | FLAT WASHER | 10 |
| 54 | 0503010019 | | 10 |
| 55 | 0503010020 | 1/2" NUT | 06 |
| 56 | 0501064851 | SUPPORT CONTROL VALVE | 01 |
| 57 | 0503010237 | | 04 |
| 58 | 0503010025 | | 04 |
| 59 | 0503010026 | | 04 |
| 60 | 0501043236 | COMMAND ASSY | 01 |
| 60A | 0503060095 | COMMAND HEX DOUBLE | 01 |
| 60B | 0511010111 | 7/8" NIPPLE | 12 |
| 60C | 0503010190 | 2-114 N 3006-9B O'RING | 12 |
| 60D | 0551011253 | NIPLE | 01 |
| 60E | 0503010045 | 2-116 N 3006-9B O'RING | 02 |
| 60F | 0501011806 | 1" HOSE NIPPLE | 01 |
| 60G | 0503030262 | LOWER LEVER | 12 |
| 60H | 0521010532 | 0.3" X 0.9" COUPLING SHAFT | 12 |
| 60I | 0503010140 | 1/8" X 3/4" COTTERPIN | 12 |
| 60J | 0503010955 | SUPPORT LEVER | 06 |
| 60K | 0503011048 | CONTROL VALVE LEVER | 06 |
| 60L | 0503010954 | BALL LEVER | 06 |
| 60M | 0503011051 | M10 X 0.6" NUT | 06 |
| 61 | 0503010365 | NUT | 03 |
| 62 | 0501010694 | FLAT WASHER | 03 |
| 63 | 0503010179 | SPRING WASHER | 03 |
| 64 | 0503010337 | NUT | 03 |
| 65 | 0501047811 | RESERVOIR OIL | 01 |
| 65A | 0501068887 | RESERVOIR OIL | 01 |
| 65B | 0503010185 | 2-221 N 3006-9B O'RING | 01 |
| 65C | 0501060975 | OIL GAGE | 01 |
| 65D | 0503030044 | FILTERING ELEMENT | 01 |
| 65E | 0502020472 | TANK COVER BODY | 01 |
| 65F | 0503031604 | 1/2" BSP PLUG | 01 |
| 66 | 0503010834 | | 04 |
| 67 | 0511011926 | PROTECTION | 01 |
| 68 | 0503030591 | SEAT | 01 |
| 69 | 0501011600 | 1/2" X 1-1/4" BOLT | 02 |
| 70 | 0501041108 | RETURNING FILTER ASSY | 01 |
| 70A | 0503010183 | RETURNING FILTER | 01 |
| 70B | 0502050002 | RETURNING FILTER HEAD | 01 |
| 70C | 0501010595 | 1" NF NIPPLE | 01 |
| 70D | 0501010594 | 1" NUT | 01 |



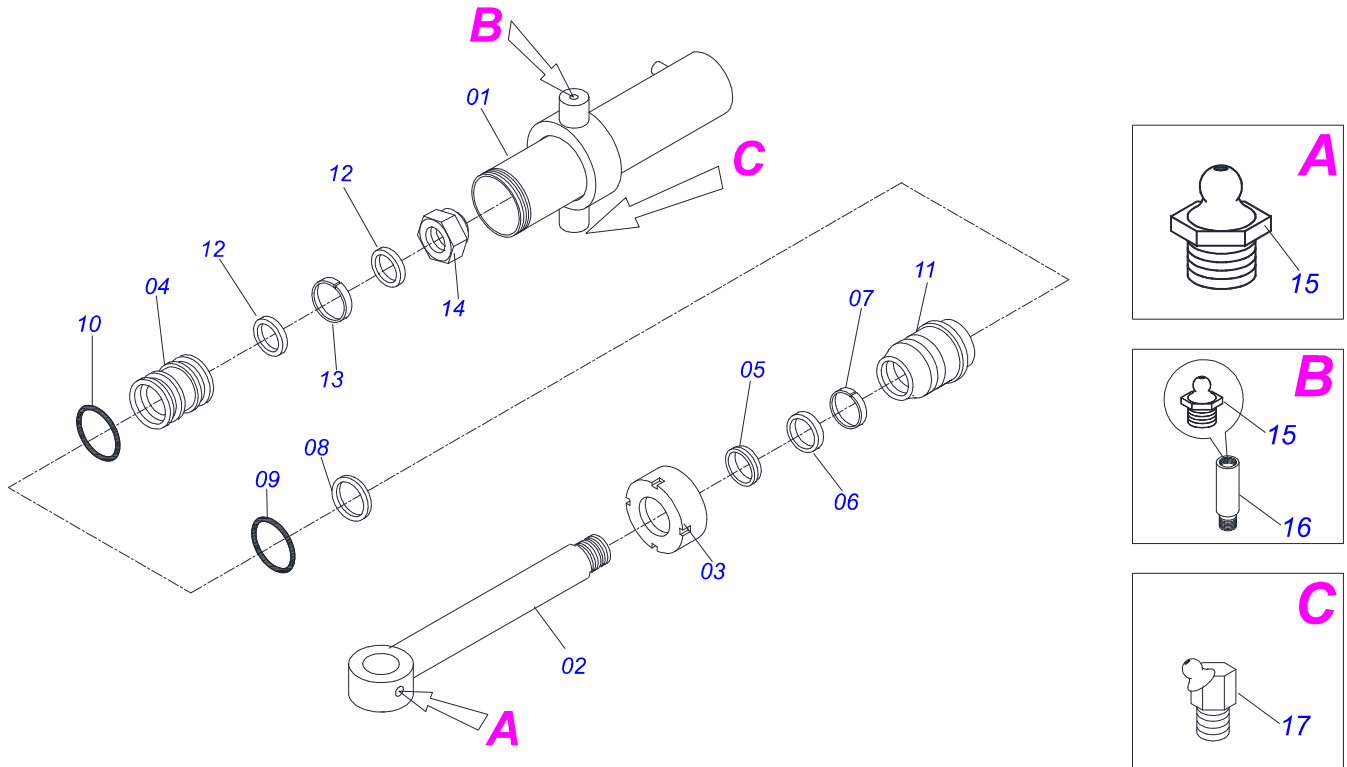
RTC 3000
BACKHOE FARM

| Item | Code | Description | QT |
|------|------------|----------------|----|
| 71 | 0511010019 | TRANSPORT LOCK | 01 |
| 72 | 0503030085 | LOCK PIN | 06 |
| 73 | 0503010003 | | 02 |
| 74 | 0502020541 | FLAT WASHER | 02 |
| 75 | 0501110148 | 12" BUCKET | 01 |
| 75A | 0501064691 | 12 RTAC BUCKET | 01 |
| 75B | 0521010470 | SLEEVE | 02 |
| 75C | 0503010003 | | 01 |

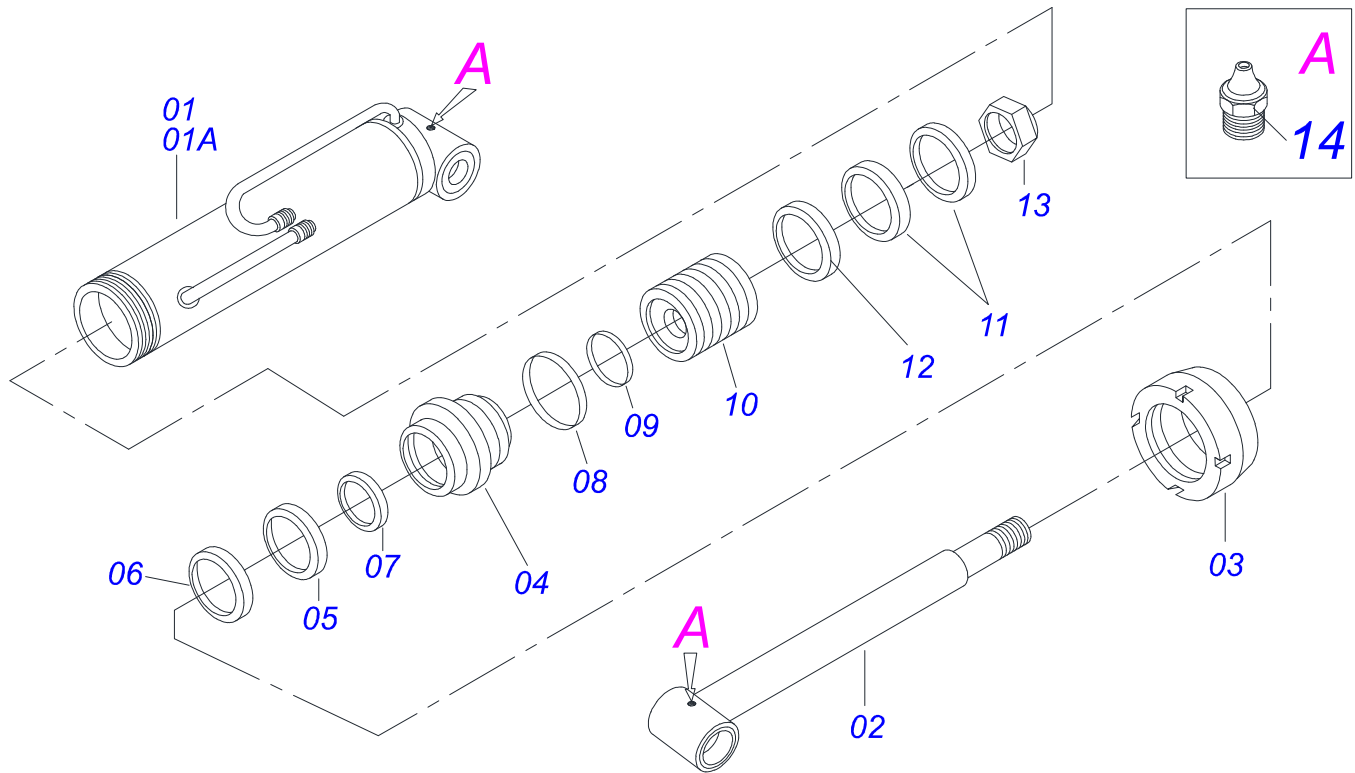


| Item | Code | Description | QT |
|------|------------|-------------------------------------|----|
| 001 | 0581011968 | | 02 |
| 002 | 0581011966 | | 01 |
| 003 | 0503030198 | 0.6" X 2.4" X 0.1" EXTENSION SPRING | 01 |
| 004 | 0501010984 | FLAT WASHER | 22 |
| 005 | 0503010025 | | 24 |
| 006 | 0503010026 | | 24 |
| 007 | 0503010751 | | 04 |
| 008 | 0503010849 | 3/8" X 1-1/2" BOLT | 10 |
| 009 | 0503010237 | | 12 |
| 010 | 0503010371 | BOLT | 01 |
| 011 | 0503013759 | | 01 |
| 012 | 0521011039 | FLAT WASHER | 03 |
| 013 | 0521067028 | | 01 |
| 014 | 0521067029 | | 01 |
| 015 | 0581011965 | | 02 |
| 016 | 0581011967 | | 01 |
| 017 | 0581011964 | | 01 |
| 018 | 0521067031 | | 01 |
| 019 | 0581011978 | | 01 |
| 020 | 0503013357 | 3/8" SELF ADJUSTINGNUT | 03 |
| 021 | 0521067027 | | 01 |
| 022 | 0521067026 | | 01 |
| 023 | 0521067030 | | 01 |
| 024 | 0581011216 | | 01 |
| 025 | 0581011217 | | 01 |
| 026 | 0581011218 | | 01 |
| 027 | 0503014729 | 1/4" UNF X 1/2" BOLT | 04 |
| 028 | 0503010144 | | 04 |
| 029 | 0503010143 | | 04 |
| 030 | 0503032137 | SAFETY BELT | 01 |
| 031 | 0503012556 | 1/2" X 1" BOLT | 02 |
| 032 | 0503010019 | | 02 |
| 033 | 0503010060 | | 02 |

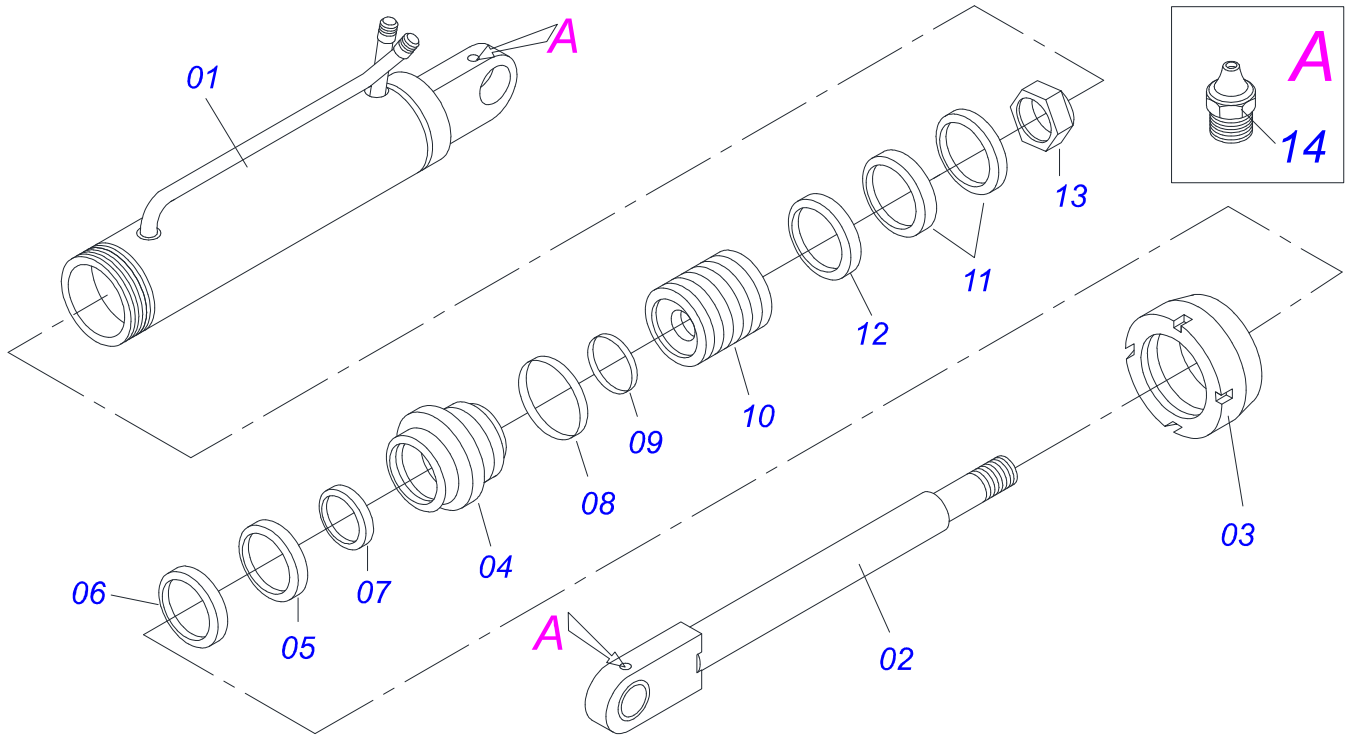
| Item | Code | Description | QT |
|------|------------|-------------|----|
| 034 | 0503010296 | CLAMP | 02 |
| 035 | 0501018909 | | 01 |



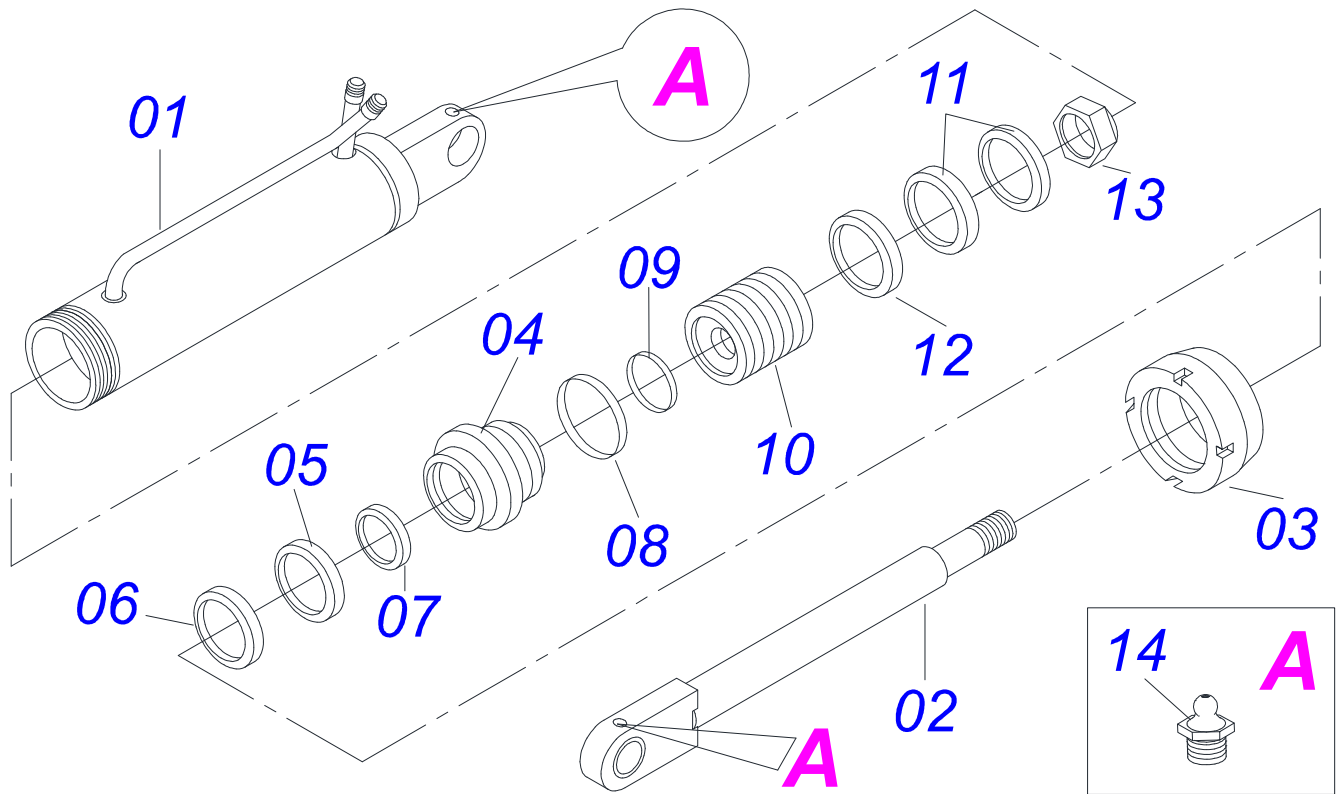
| Item | Code | Description | |
|------|------------|-------------------------------|----|
| 01 | 0501069009 | 85,7" X 260" BODY | 01 |
| 02 | 0501068961 | HYDRAULIC CYLINDER TURNBUCKLE | 01 |
| 03 | 0502010993 | DETACHABLE COVER | 01 |
| 04 | 0502010781 | RING SUPPORT | 01 |
| 05 | 0503010761 | D-1750 SCRAPER RING | 01 |
| 06 | 0503010990 | GASKET | 01 |
| 07 | 0503010949 | W2-2000-500 PK RING G.E | 01 |
| 08 | 0503011060 | 8-336 BACK-UP RING | 01 |
| 09 | 0503010976 | 2-336 N 3006-9B O'RING | 01 |
| 10 | 0503010042 | 2-214 N 3006-9B O'RING | 01 |
| 11 | 0502010843 | 1.8" X 3.4" PISTON | 01 |
| 12 | 0503010170 | PACKING 3120 2750 | 02 |
| 13 | 0503010948 | W4-3346-590 PK RING G.E | 01 |
| 14 | 0503010063 | 1" SELF-ALIGNING NUT | 01 |
| 15 | 0503010002 | | 02 |
| 16 | 0501019757 | EXTENSION GREASE FITTING | 01 |
| 17 | 0503010003 | | 01 |
| 18 | 0501031796 | HYDRAULIC CYLINDER REPAIR KIT | |



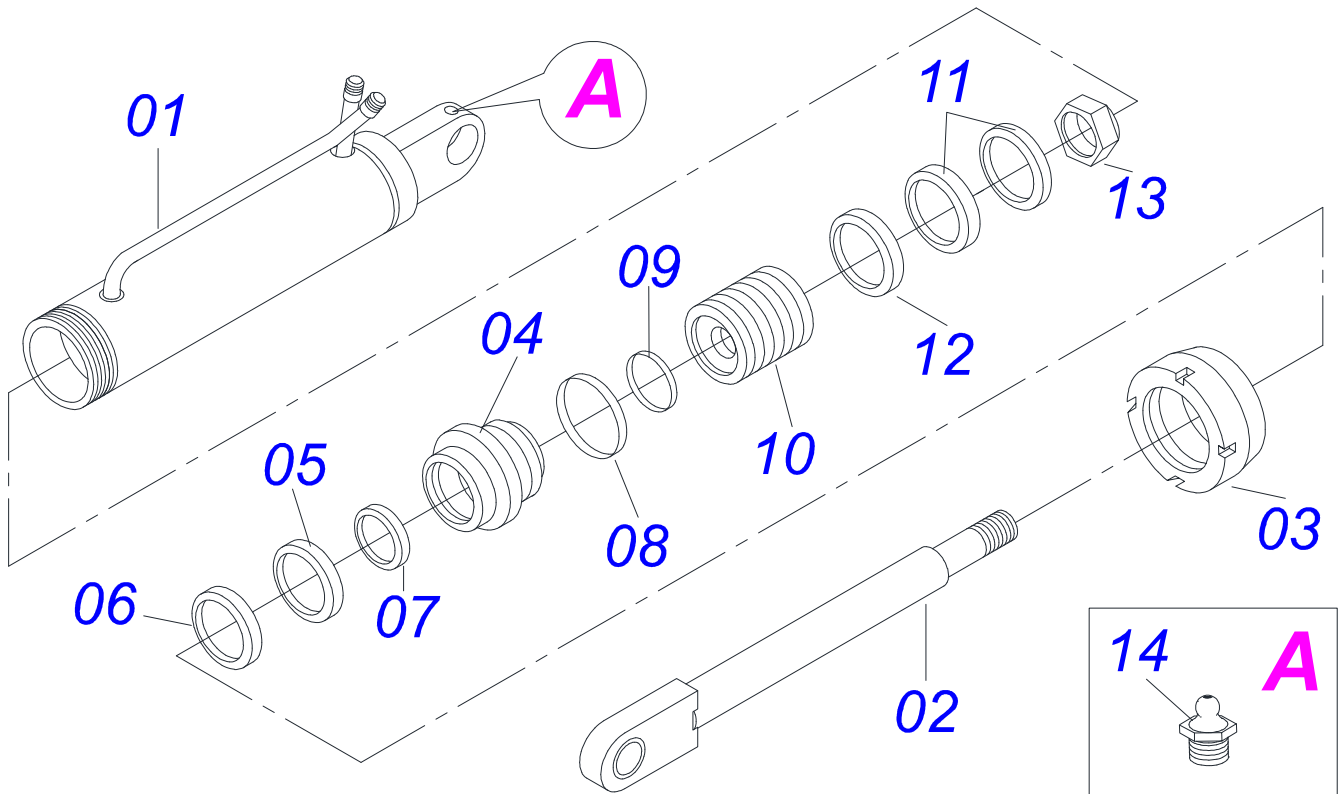
| Item | Code | Description | DIR | ESQ |
|------|------------|--|-----|-----|
| 00 | 0501043243 | 1.75" X 3.37" X 22.75" HYDRAULIC CYLINDER | 01 | 00 |
| 00A | 0501043244 | 1.7" X 3.7" X 22.7" X 11.8" HYDRAULIC CYLINDER | 00 | 01 |
| 01 | 0501069077 | 85,7" X 300" BODY RIGHT | 01 | 00 |
| 01A | 0501069078 | 85,7" X 300" BODY LEFT | 00 | 01 |
| 02 | 0501068965 | HYDRAULIC CYLINDER TURNBUCKLE | 01 | 01 |
| 03 | 0502010993 | DETACHABLE COVER | 01 | 01 |
| 04 | 0502010781 | RING SUPPORT | 01 | 01 |
| 05 | 0503010761 | D-1750 SCRAPER RING | 01 | 01 |
| 06 | 0503010990 | GASKET | 01 | 01 |
| 07 | 0503010949 | W2-2000-500 PK RING G.E | 01 | 01 |
| 08 | 0503011060 | 8-336 BACK-UP RING | 01 | 01 |
| 09 | 0503010976 | 2-336 N 3006-9B O'RING | 01 | 01 |
| 10 | 0502010843 | 1.8" X 3.4" PISTON | 01 | 01 |
| 11 | 0503010170 | PACKING 3120 2750 | 02 | 02 |
| 12 | 0503010948 | W4-3346-590 PK RING G.E | 01 | 01 |
| 13 | 0503010063 | 1" SELF-ALIGNING NUT | 01 | 01 |
| 14 | 0503010002 | | 02 | 02 |



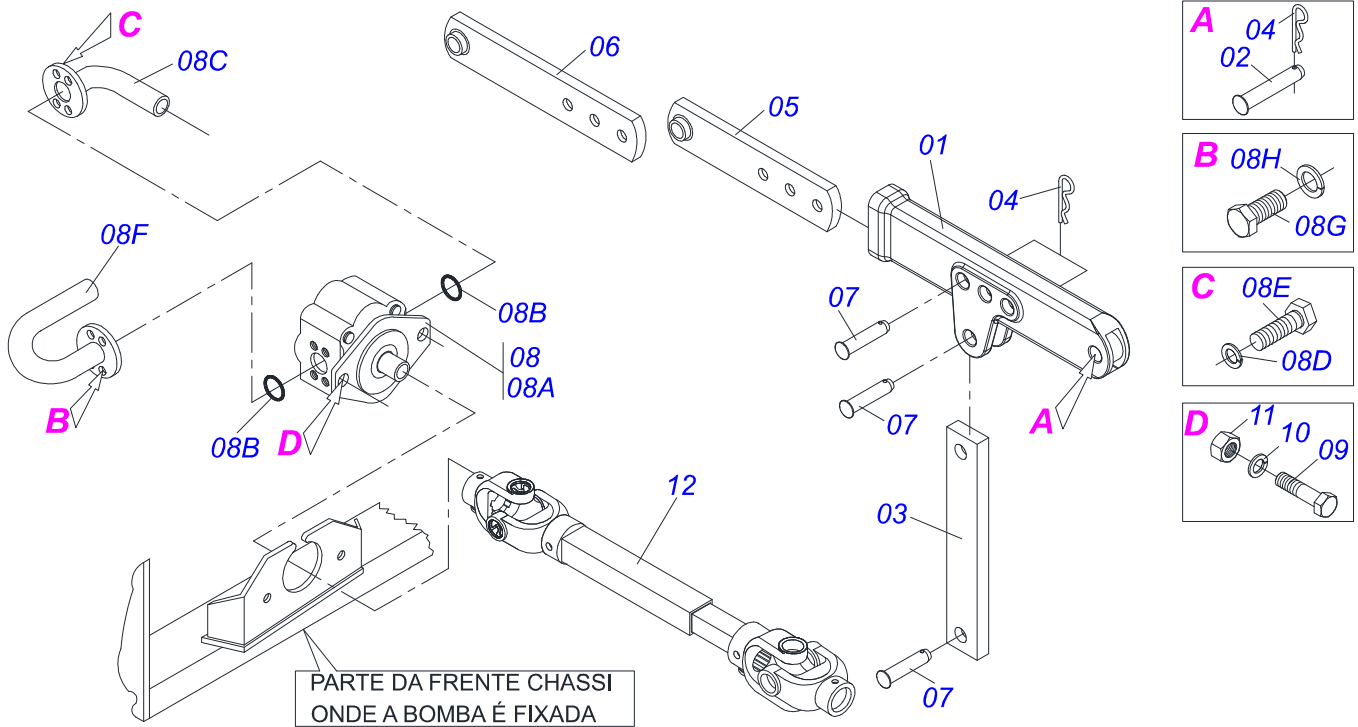
| Item | Code | Description | |
|------|------------|-------------------------------|----|
| 01 | 0501064923 | 4" X 20.07" CYLINDER CASE | 01 |
| 02 | 0501068960 | HYDRAULIC CYLINDER TURNBUCKLE | 01 |
| 03 | 0502010017 | 4" HEAD | 01 |
| 04 | 0502010841 | 1.7" X 4" RING SUPPORT | 01 |
| 05 | 0503010761 | D-1750 SCRAPER RING | 01 |
| 06 | 0503010990 | GASKET | 01 |
| 07 | 0503010949 | W2-2000-500 PK RING G.E | 01 |
| 08 | 0503010338 | 2-342 N 3006-9B O'RING | 01 |
| 09 | 0503010042 | 2-214 N 3006-9B O'RING | 01 |
| 10 | 0502010793 | 1.7" X 4" PISTON | 01 |
| 11 | 0503010043 | PACKING 3750-3250 | 02 |
| 12 | 0503010994 | W2-4000-500 PK RING G.E | 01 |
| 13 | 0503010063 | 1" SELF-ALIGNING NUT | 01 |
| 14 | 0503010002 | | 02 |



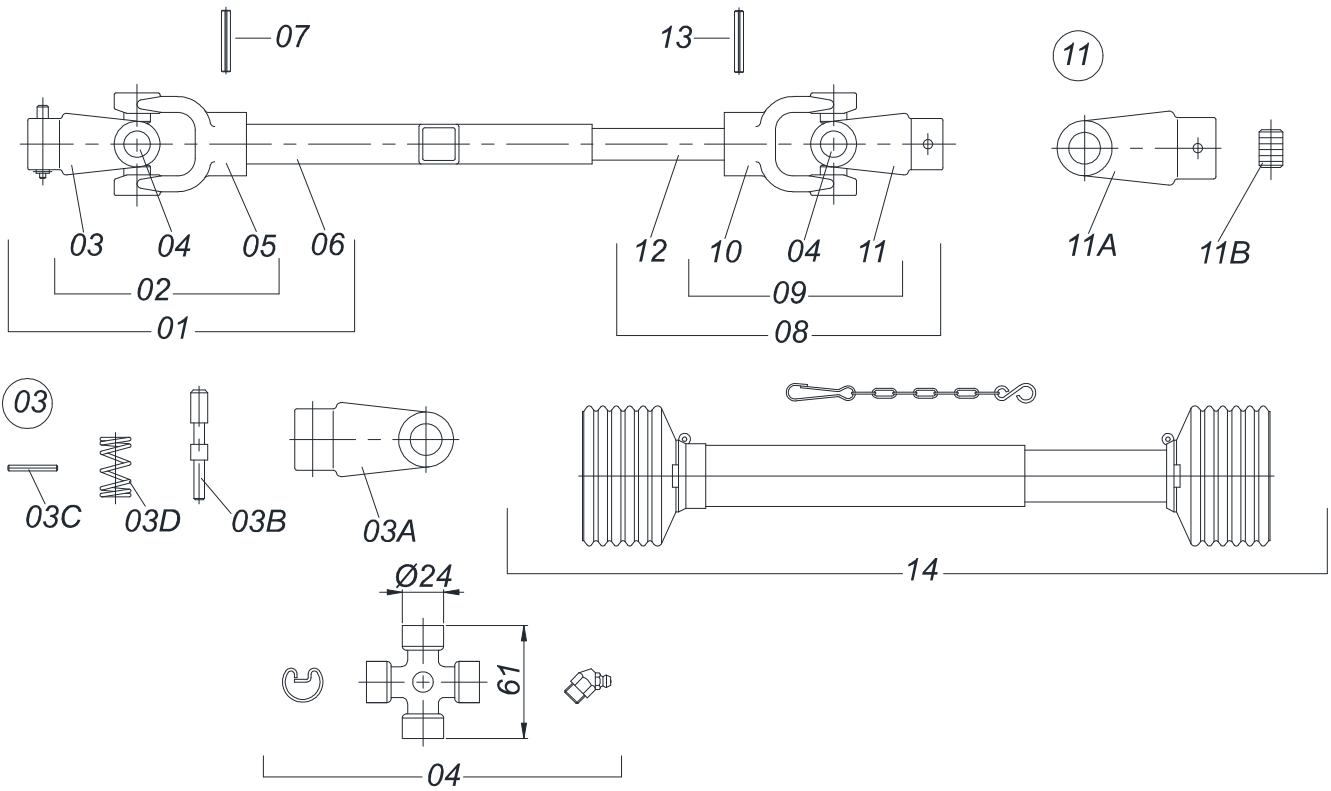
| Item | Code | Description | |
|------|------------|------------------------------|----|
| 01 | 0501064948 | 3.75" X 29.7" CYLINDER CASE | 01 |
| 02 | 0501069050 | HYDRALIC CYLINDER TURNBUCKLE | 01 |
| 03 | 0502010761 | MOBILE COVER | 01 |
| 04 | 0502010840 | 2" X 3.4" RING SUPPORT | 01 |
| 05 | 0503010039 | D-2000 SCRAPER RING | 01 |
| 06 | 0503010991 | PACKING 1870-2000-375-B | 01 |
| 07 | 0503010952 | W2-2250-500 PK RING G.E | 01 |
| 08 | 0503010976 | 2-336 N 3006-9B O'RING | 01 |
| 09 | 0503010345 | 2-218 N 3006-9B O'RING | 01 |
| 10 | 0502010844 | 2.0" X 3.3" PISTON | 01 |
| 11 | 0503010170 | PACKING 3120 2750 | 02 |
| 12 | 0503010948 | W4-3346-590 PK RING G.E | 01 |
| 13 | 0503010063 | 1" SELF-ALIGNING NUT | 01 |
| 14 | 0503010002 | | 02 |



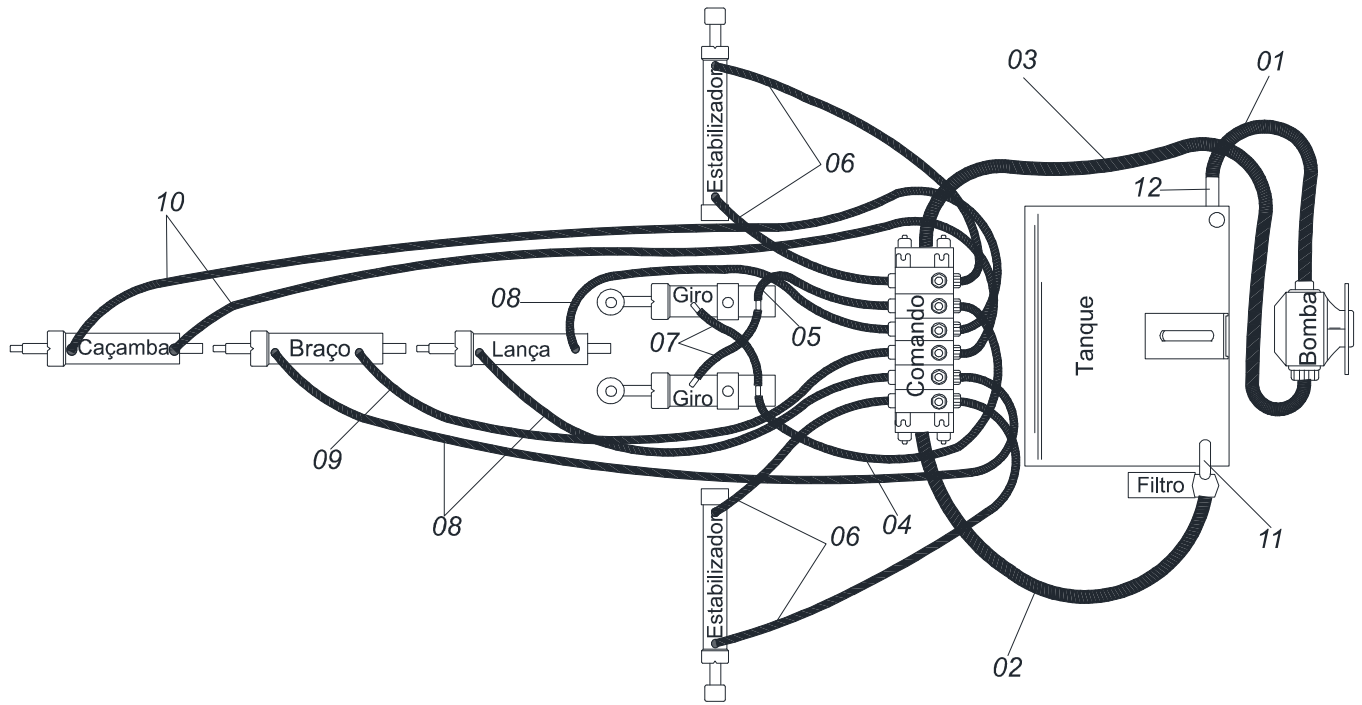
| Item | Code | Description | |
|------|------------|------------------------------|----|
| 01 | 0501064922 | 3.37" X 16.22" CYLINDER CASE | 01 |
| 02 | 0501064928 | 2" TURNBUCLE | 01 |
| 03 | 0502010761 | MOBILE COVER | 01 |
| 04 | 0502010840 | 2" X 3.4" RING SUPPORT | 01 |
| 05 | 0503010039 | D-2000 SCRAPER RING | 01 |
| 06 | 0503010991 | PACKING 1870-2000-375-B | 01 |
| 07 | 0503010952 | W2-2250-500 PK RING G.E | 01 |
| 08 | 0503010976 | 2-336 N 3006-9B O'RING | 01 |
| 09 | 0503010345 | 2-218 N 3006-9B O'RING | 01 |
| 10 | 0502010844 | 2.0" X 3.3" PISTON | 01 |
| 11 | 0503010170 | PACKING 3120 2750 | 02 |
| 12 | 0503010948 | W4-3346-590 PK RING G.E | 01 |
| 13 | 0503010063 | 1" SELF-ALIGNING NUT | 01 |
| 14 | 0503010002 | | 02 |



| Item | Code | Description | QT |
|------|------------|----------------------------|----|
| 01 | 0502040832 | GUIDE BAR ADJUSTMENT | 01 |
| 02 | 0521010578 | 0.9" X 4.3" COUPLING SHAFT | 01 |
| 03 | 0511011260 | 19.4" SUPPORT BAR | 01 |
| 04 | 0503031035 | HAIR PIN | 04 |
| 05 | 0501065063 | ADJUSTMENT BAR | 01 |
| 06 | 0501064744 | ADJUSTING BAR | 01 |
| 07 | 0521010575 | COUPLING SHAFT | 03 |
| 08 | 0501044148 | PUMP GEAR ASSY | 01 |
| 08A | 0503060189 | HYDRAULIC PUMP | 01 |
| 08B | 0503010173 | 2-220 N 3006-9B O'RING | 02 |
| 08C | 0501065854 | PUMP SUCTION TUBE | 01 |
| 08D | 0503010180 | 7/16" SPRING WASHER | 02 |
| 08E | 0503010355 | 7/16" X 1" BOLT | 02 |
| 08F | 0501065853 | PUMP PRESSURE TUBE | 01 |
| 08G | 0503010025 | | 02 |
| 08H | 0503010237 | | 01 |
| 09 | 0501010077 | 1/2" X 2" BOLT | 02 |
| 10 | 0503010019 | | 02 |
| 11 | 0503010020 | 1/2" NUT | 02 |
| 12 | 0501044149 | DRIVE SHAFT | 01 |



| Item | Code | Description | |
|------|------------|------------------------------------|----|
| 01 | 0501050856 | SLEEVE UNIVERSAL JOINT | 01 |
| 02 | 0501050263 | UNIVERSAL JOINT | 01 |
| 03 | 0501050332 | 1-20 TERMINAL | 01 |
| 03A | 0502010561 | 1-20 TERMINAL | 01 |
| 03B | 0521010637 | 0.5" X 3" COUPLING SHAFT | 01 |
| 03C | 0503010838 | 0.1" X 0.8" SPRING PIN | 01 |
| 03D | 0503030518 | 0.5"X1.0"X 0.1" COMPRESSION SPRING | 01 |
| 04 | 0503010835 | CARDAN CROSSPICE | 01 |
| 05 | 0502010559 | 2-20 TERMINAL | 01 |
| 06 | 0511012101 | 0.9" X 15.75" SQUARE SLEEVE | 01 |
| 07 | 0503010839 | 03" X 0.6" SPRING PIN | 01 |
| 08 | 0501050858 | UNIVERSAL JOINT WITH AXLE | 01 |
| 09 | 0501050629 | UNIVERSAL JOINT | 01 |
| 10 | 0502010562 | 3-20 TERMINAL | 01 |
| 11 | 0501052550 | T10-20 TERMINAL WITH SCREW | 01 |
| 11A | 0502010886 | 10-20 TERMINAL | 01 |
| 11B | 0503011148 | 3/8" X 1/2" BOLT | 01 |
| 12 | 0511012100 | 0.9" X 15.75" SQUARE SHAFT | 01 |
| 13 | 0503010301 | 0.3" X 1.8" SPRING PIN | 01 |
| 14 | 0503013382 | PROTECTION ASSY | 01 |



| Item | Code | Description | QT |
|------|------------|-----------------------------|----|
| 01 | 0501014844 | 1-1/4" X 27.55" HOSE ASSY | 01 |
| 02 | 0501019999 | 1" X 43.3" HOSE ASSY | 01 |
| 03 | 0501080099 | 3/4" X 51.2" HOSE ASSY | 01 |
| 04 | 0501080105 | 3/8" X 27.5" HOSE ASSY | 01 |
| 05 | 0501080106 | 3/8" X 31.49" HOSE ASSY | 01 |
| 06 | 0501080373 | 3/8" X 49.21" HOSE ASSY | 04 |
| 07 | 0501080150 | 3/8" X 31.49" HOSE ASSY | 02 |
| 08 | 0501080379 | 3/8" X 12" TR-TR HOSE ASSY | 03 |
| 09 | 0501080372 | 3/8" X 136" TR-TR HOSE ASSY | 01 |
| 10 | 0501080289 | 3/8" X 163,77" HOSE ASSY | 02 |
| 11 | 0503010184 | CLAMP 1.1/4 A 1.1/2 | 02 |
| 12 | 0503010243 | 1-1/2" TO 2" CLAMP | 02 |

ANNOTATIONS



email: civemasa@civemasa.com.br

www.civemasa.com.br

Phone: +55 16.3382.8222

Fax: +55 16.3382.8355

MARCHESAN IMPLEMENTOS E MÁQUINAS AGRÍCOLAS "TATU" S.A.

Av. Marchesan, 1979 - Post Office box, 131 - Cep 15994-900 - Matão - Sp - Brasil

CNPJ 52.311.289/0001-63 | Inst. Est.441.000.151.114

Drafting and Illustration = GASPARI
e.mail = jgaspari@marchesan.com.br

**ORIGINAIS PARTS
CIVEMASA**

The Civemasa logo, identical to the one at the top of the page, is positioned at the bottom right of the page. It features the word "civemasa" in a bold, italicized, lowercase sans-serif font, with three vertical bars above the letters "i", "v", and "e" in orange, green, and orange colors.