

PARTS CATALOGUE

DISK HARROWS

SAC 3CH TR

Code: 0501091716



Series: S-0713

Rev.: 00

Date Rev.: AGOSTO/2016

**ORIGINAL PARTS
CIVEMASA**

civemasa

PRODUCTS

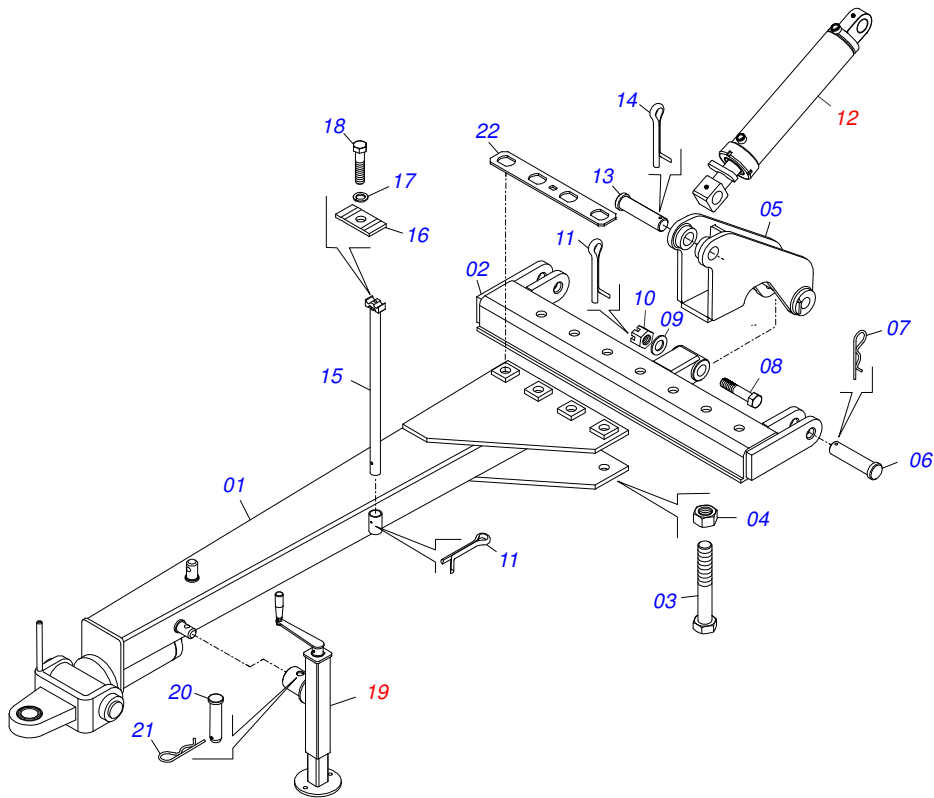
Code	Description
0120070056	SAC 32-3CH 26X6,0REC 6611210 S-0713
0120070057	SAC 32-3CH 28 X 7,5 REC S-0713
0120070058	SAC 32-3CH TR26X6,0R 6611293 S-0713
0120070059	SAC 32-3CH TR28X7.5R 6611349 S-0713
0120070063	SAC 36-3CH 26X6,0REC 6611257 S-0713
0120070064	SAC 36-3CH 28 X 7,5 REC S-0713
0120070087	SAC 36-3CH 30 X 7,5 DR S-0713
0120070065	SAC 36-3CH TR26X6,0R 6611302 S-0713
0120070066	SAC 36-3CH TR28X7.5R 6611320 S-0713
0120070085	SAC 36-3CH TR30X7,5R S-0713
0120070071	SAC 40-3CH 28 X 7,5 REC S- 0713
0120070070	SAC 40-3CH 26X6,0REC 6611266 S-0713
0120070072	SAC 40-3CH TR26X6,0R 6611275 S-0713
0120070073	SAC 40-3CH TR28X7,5R 6611284 S-0713
0120070082	SAC 40-3CH TR30X7,5 DR S-0713

ATTENTION: **IMPORTANT**

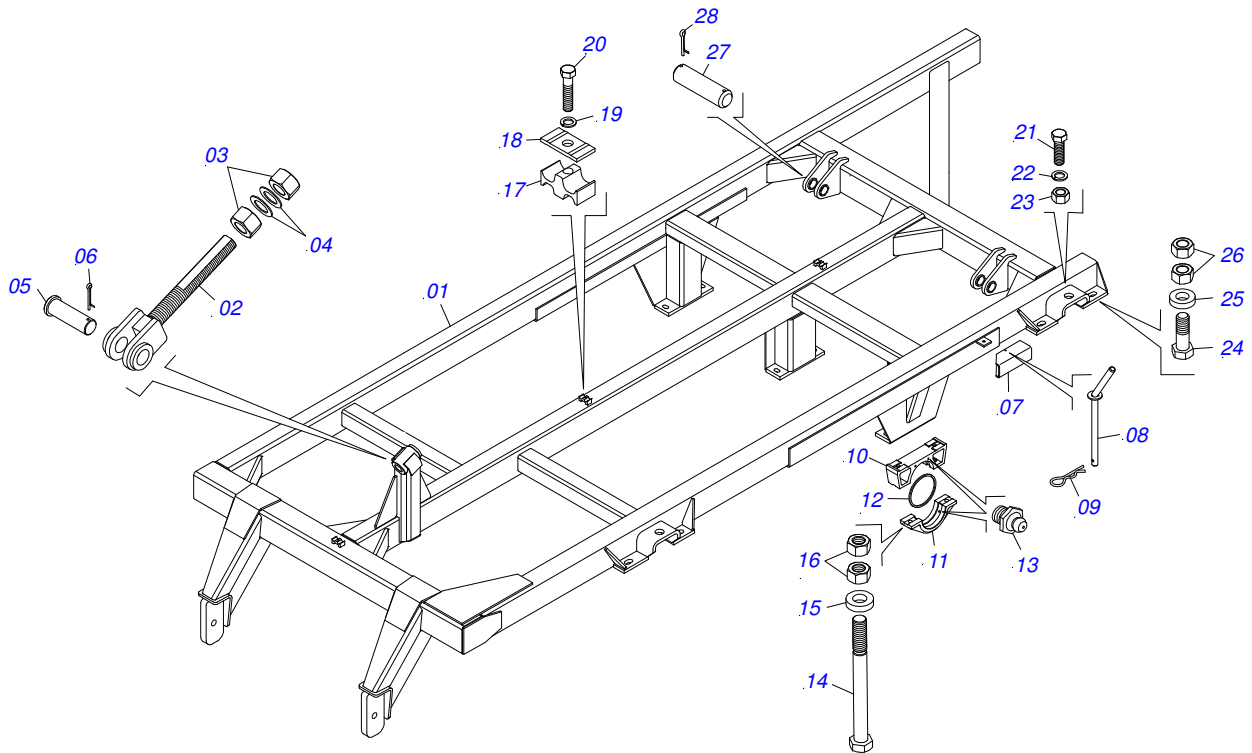
CIVEMASA RESERVES THE RIGHT AT ANY TIME TO MAKE IMPROVEMENTS IN THE DESIGN, MATERIAL OR SPECIFICATIONS OF MACHINERY, EQUIPMENT OR PARTS WITHOUT THEREBY BECOMING LIABLE TO MAKE SIMILAR CHANGES IN MACHINERY, EQUIPMENT OR PARTS PREVIOUSLY SOLD.

INDEX

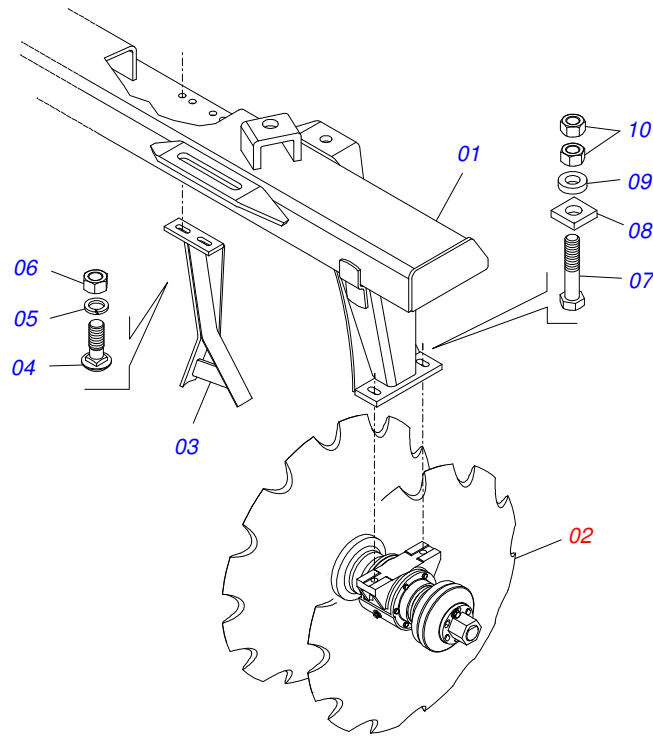
0909092004	DRAWBAR ASSY	1
0909092005	FRAME	2
0909092006	FRONT FRAME	3
0909092007	REAR FRAME	4
0909092008	GANG DISC	5
0909092009	WHEEL	6
0909092014	HYDRAULIC CIRCUIT	7
0501053834	MALE QUICK COUPLING AGRICULTURAL WITH COVER - 1/2 NPT	8
0511040113	AGRICULTURAL BEARING	9
0501055850	CARRYNG WHEEL HUB ASSEMBLY SET	10
0501048883	HYDRAULIC CYLINDER	11
0909092018	WRENCH KIT	12



Item	Code	Description	32	36	40
01	0511068296	DRAWBAR	01	01	01
02	0511068298	DRAWBAR ASSY	01	01	01
03	0503012174	1-1/4" X 8-1/4" BOLT	04	04	04
04	0503012181	1.1/4" NUT	04	04	04
05	0511068295	DRAWBAR PIVOT	01	01	01
06	0521013738	PIN WITH HEAD	02	02	02
07	0503031479	STAPLE	02	02	02
08	0521013739	BOLT HARNESS	01	01	01
09	0501812916	FLAT WASHER	01	01	01
10	0502011592	CASTLE NUT	01	01	01
11	0503012231	1/4" X 3" COTTERPIN	02	02	02
12	0501048883	HYDRAULIC CYLINDER	01	01	01
13	0551012574	PIN	01	01	01
14	0503012231	1/4" X 3" COTTERPIN	01	01	01
15	0511060205	SUPPORT HOSE CNS 20104N	01	01	01
16	0531011180	UPPER BODY CLIP	01	01	01
17	0503010180	7/16" SPRING WASHER	01	01	01
18	0503012555	7/16" X 2" BOLT	01	01	01
19	0511048088	DRAWBAR JACK	01	01	01
20	0561014251	COUPLING SHAFT	01	01	01
21	0503030012	HAIR PIN	01	01	01
22	0521013774	GVMF LOCK	01	01	01

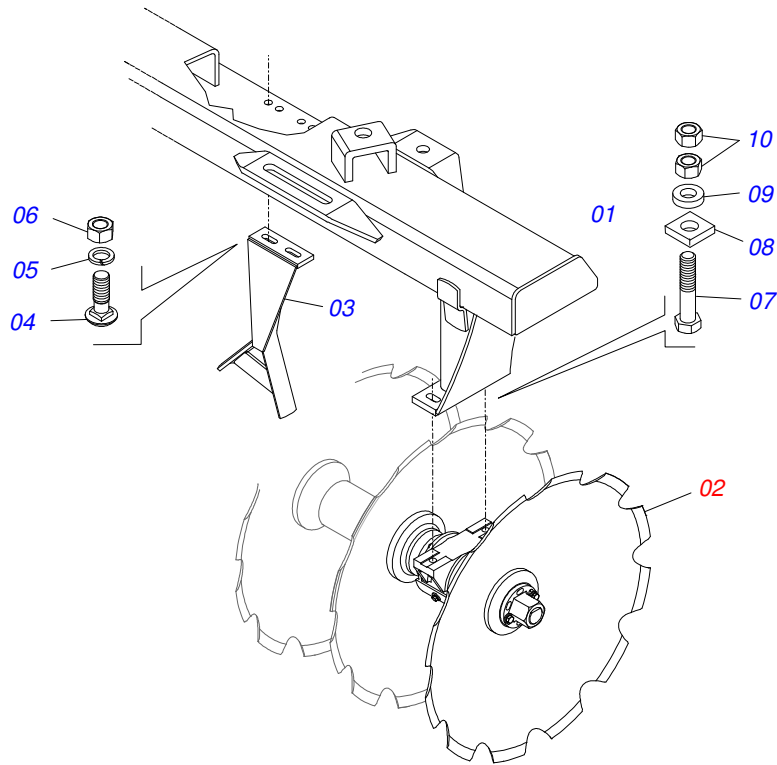


Item	Code	Description	36	38	40
01	0511068299	FRAME	01	01	01
02	0511068293	HYDRAULIC CYLINDER REGULATOR	01	01	01
03	0501810333	1.3/4 NUT	02	02	02
04	0521014368	FLAT WASHER	02	02	02
05	0551012574	PIN	01	01	01
06	0503012231	1/4" X 3" COTTERPIN	01	01	01
07	0521013685	LOCK PISTON	02	02	02
08	0511060137	ASSEMBLY LOCK PIN	02	02	02
09	0503031464	TM 211 X 3,0 STAPLE	02	02	02
10	0502011725	UPPER BEARING SEMI	03	03	03
11	0502011724	INF BEARING SEMI	03	03	03
12	0503012222	FELT RING	06	06	06
13	0503010002	1800 GREASE FITTING	06	06	06
14	0511816281	3/4" X 8" BOLT	06	06	06
15	0521013710	WASHER GVC 33200 SEMIMAN	06	06	06
16	0503812183	NUT	12	12	12
17	0502012702	BODY SUPPORT CLAMP	04	04	04
18	0531011180	UPPER BODY CLIP	03	03	03
19	0503010180	7/16" SPRING WASHER	03	03	03
20	0503012555	7/16" X 2" BOLT	04	04	04
21	0511063502	BOLT	02	02	02
22	0521014368	FLAT WASHER	02	02	02
23	0502011692	GVMF 60117N 3442029 NUT	02	02	02
24	0503012257	1" X 4-1/4" BOLT	08	08	08
25	0521013709	REINFORCING WASHER	16	16	16
26	0503012182	1" NUT	16	16	16
27	0521813777	PIN SEM HEAD PN	02	02	02
28	0503012231	1/4" X 3" COTTERPIN	04	04	04



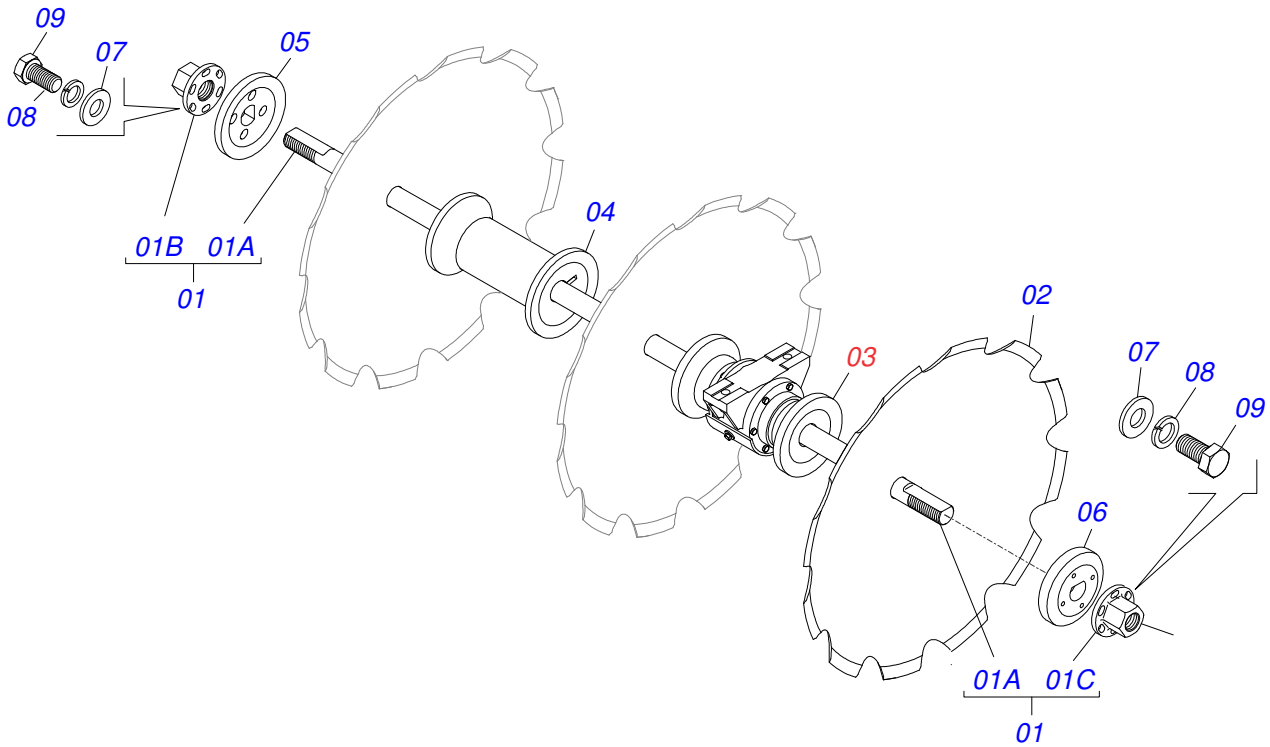
Item	Code	Description	32	36	40
01	0511051248	FRONT FRAME	01	00	00
01.	0511051261	FRONT FRAME	00	01	00
01..	0511050782	FRONT FRAME	00	00	01
02	0909094737	GANG DISC	-	-	-
03	0511060122	SAC 31000 SCRAPER	10	12	14
04	0501010243	1/2" X 1-1/2" BOLT	20	24	28
05	0503010019	1/2" SPRING WASHER	20	24	28
06	0503010020	1/2"NUT	20	24	28
07	0503010901	3/4UNC 3.1/2 BOLT	12	12	12
08	0521013709	REINFORCING WASHER	12	12	12
09	0521013710	WASHER GVC 33200 SEMIMAN	12	12	12
10	0503012183	SNC 3/4" ZIN 1K03097 NUT	24	24	24

Ver 0909092008

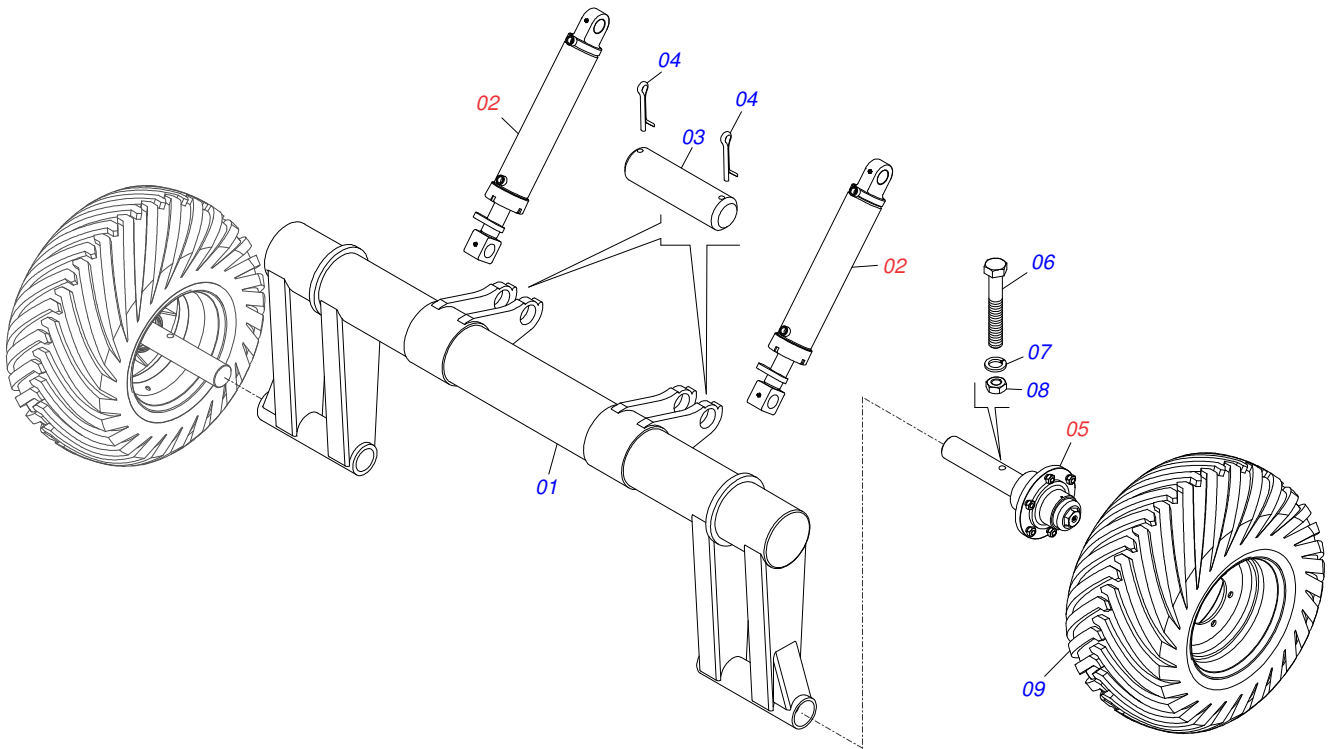


Item	Code	Description	32	36	40
01	0511060771	REAR FRAME SAC 31000A 3610190	01	00	00
01.	0511060675	REAR FRAME SAC 41000B 3612437	00	01	00
01..	0511060624	REAR FRAME SAC 51000B 3612482	00	00	01
02	0909094737	GANG DISC	-	-	-
03	0511060122	SAC 31000 SCRAPER	10	12	14
04	0501010243	1/2" X 1-1/2" BOLT	20	24	28
05	0503010019	1/2" SPRING WASHER	20	24	28
06	0503010020	1/2"NUT	20	24	28
07	0503010901	3/4UNC 3.1/2 BOLT	12	12	12
08	0521013709	REINFORCING WASHER	12	12	12
09	0521013710	WASHER GVC 33200 SEMIMAN	12	12	12
10	0503012183	SNC 3/4" ZIN 1K03097 NUT	24	24	24

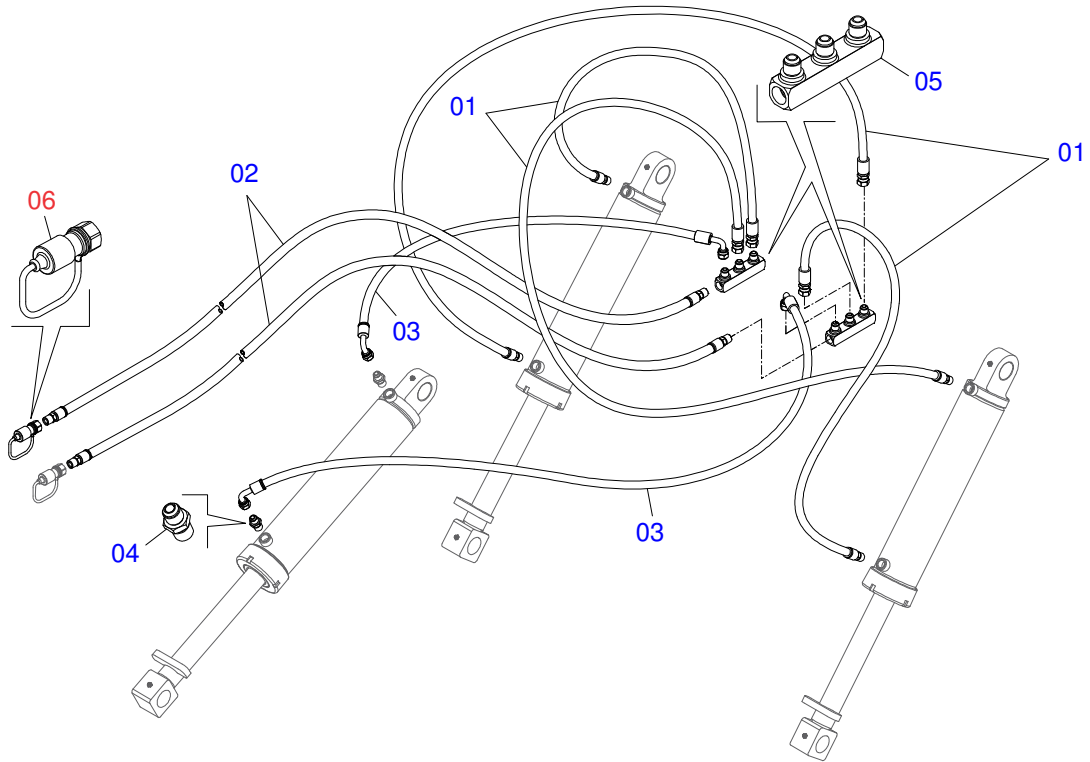
Ver 0909092008



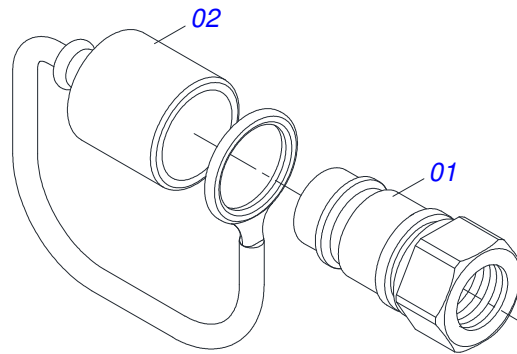
Item	Code	Description	32	36	40
01	0511050238	AXLE DISC	04	00	00
01.	0511050216	1.3/4UNC X 1567 AXLE ASSY	00	06	02
01..	0511050175	1.3/4 UNC X 1837 AXLE DISC ASSY	00	00	04
01A	0521013844	AXLE DISC	04	00	00
01A.	0521013681	3390493 AXLE	00	06	02
01A..	0521013682	3410229 AXLE	00	00	04
01B	0502011574	RIGHT NUT	04	06	06
01C	0502011575	LEFT NUT	04	06	06
02	0602033006	26" X 0.2" NOTCHED DISC BLADE	32	36	40
02.	0602037001	28" X 7,5MM NOTCHED DISC BLADE	32	36	40
03	0511040113	AGRICULTURAL BEARING	12	12	12
04	0502011576	3390172 SPACER	16	18	22
05	0502011573	3380483 DISC OUTER FLANGE	04	06	06
06	0502011572	BEARING INNER FLANGE	04	06	06
07	0501010937	FLAT WASHER	16	24	24
08	0503010019	1/2" SPRING WASHER	16	24	24
09	0503010834	1/2 X 1 BOLT	16	24	24



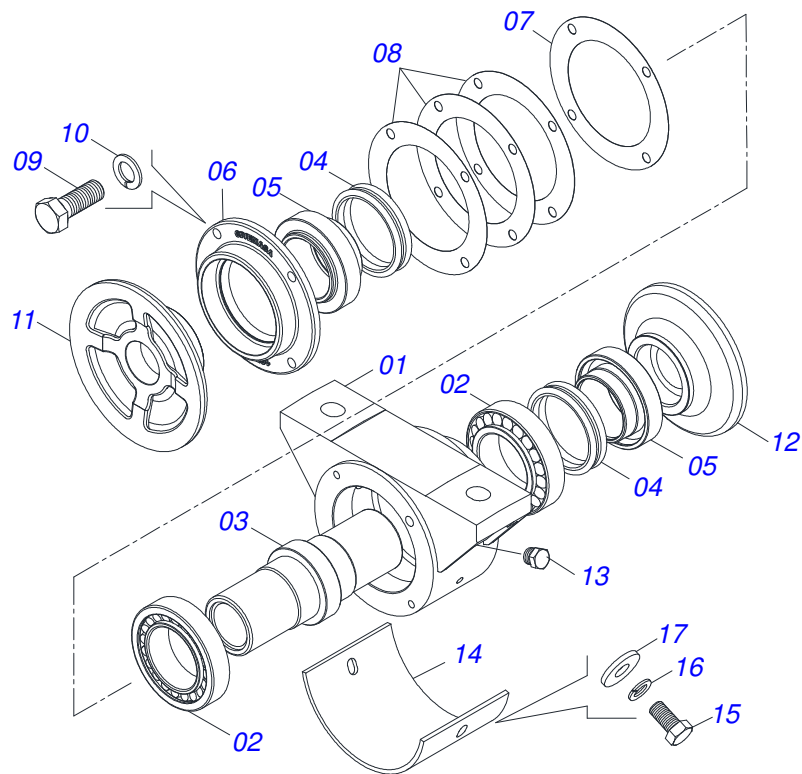
Item	Code	Description	32	36	40
01	0511069776	WHEEL AXLE	01	01	01
02	0501048883	HYDRAULIC CYLINDER	02	02	02
03	0521813778	PIN SEM HEAD PN	02	02	02
04	0503012231	1/4" X 3" COTTERPIN	04	04	04
05	0501055850	CARRYNG WHEEL HUB ASSEMBLY SET	02	02	02
06	0503012448	3/4" X 4-1/4" BOLT	02	02	02
07	0503010023	SPRING WASHER	02	02	02
08	0503012183	SNC 3/4" ZIN 1K03097 NUT	02	02	02
09	0503061868	14L WHEEL AND TIRE	02	02	02



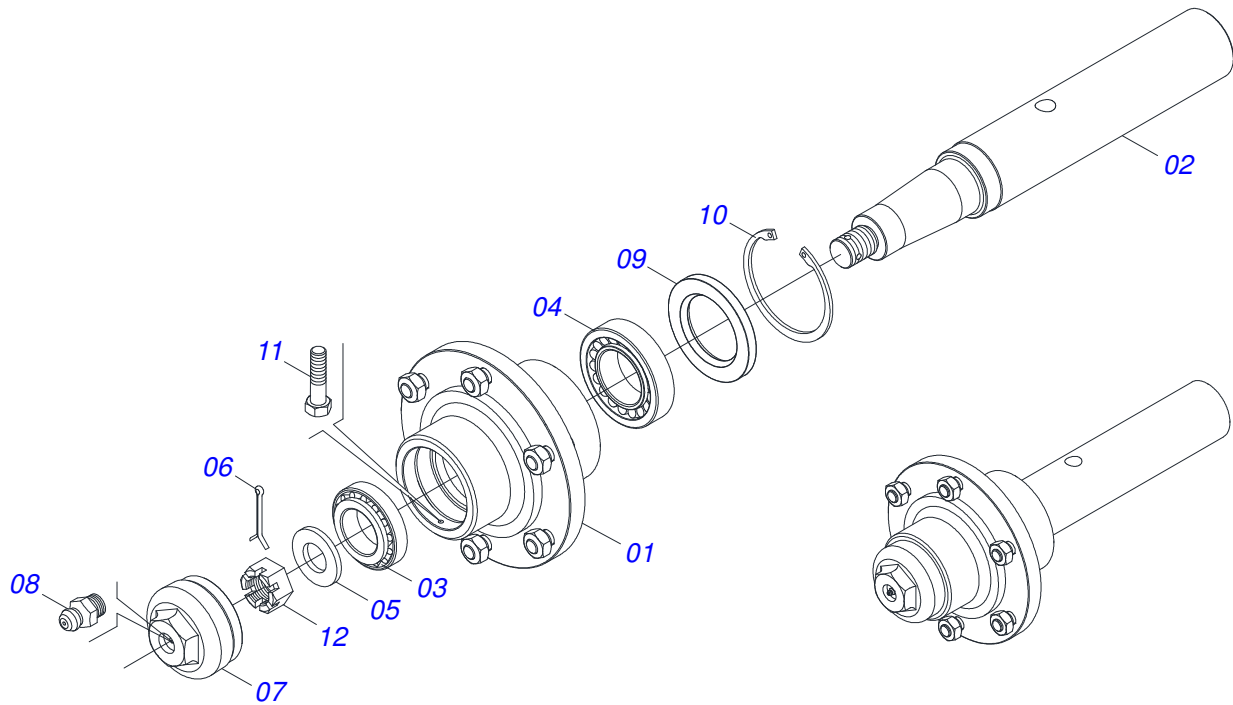
Item	Code	Description	QT
01	0501080656	3/8 X 700 TR-TM HOSE ASSY	04 04 04
02	0501080814	HOSE	02 02 02
03	0501080751	3/8" X 165" TC-TC HOSE ASSY	02 02 02
04	0551012528	ADAPTER (GND)	02 02 02
05	0511068300	TERMINAL	02 02 02
06	0501053834	MALE QUICK COUPLING AGRICULTURAL WITH COVER - 1/2 NPT	02 02 02



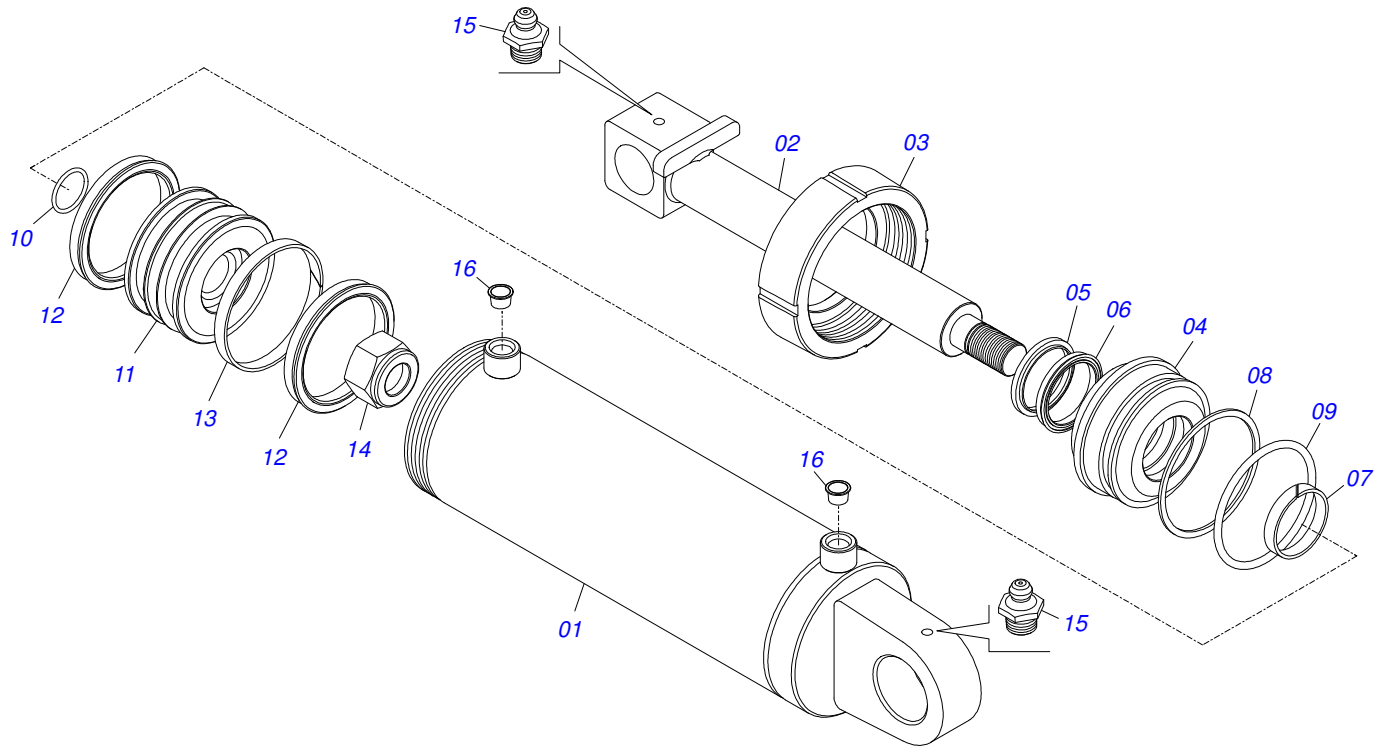
Item	Code	Description	QT
01	0503011627	QUICK CONNECTION (MALE) AGR 1/2 NPT	01
02	0503011882	QUICK CONNECTION COVER	01



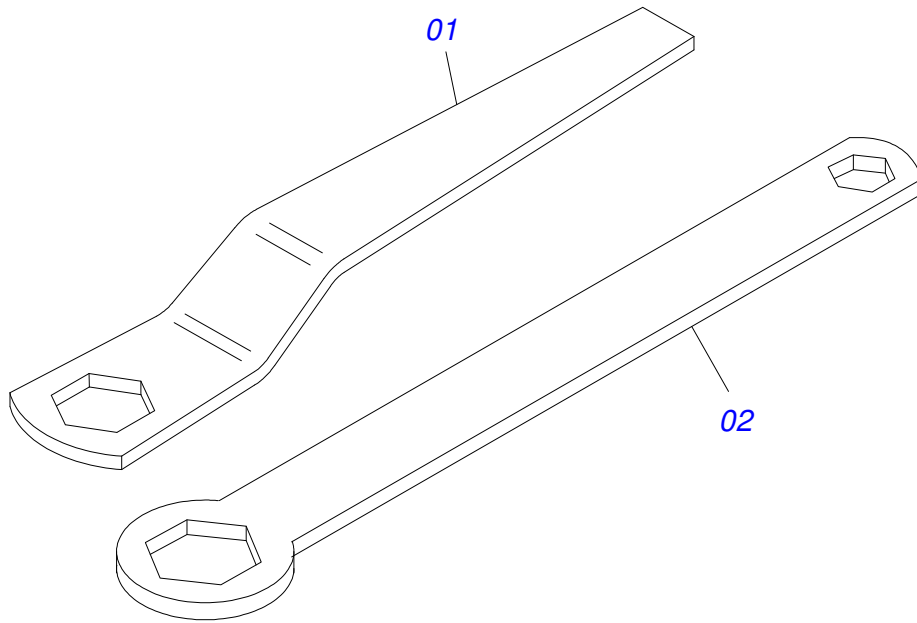
Item	Code	Description	QT
01	0502011965	BEARIN BODY	01
02	0503010104	3984/3920 ROLLER BEARING	02
03	0502010824	AXLE CM/DM	01
04	0503030027	DUO-CONE SEAL	02
05	0502010823	SEAL RETAINER	02
06	0502011966	BEARING COVER	01
07	0503031685	JOINT BEARIN	01
08	0503031686	JOINT BEARIN	03
09	0503010237	3/8" X 1" BOLT	04
10	0503011443	SPRING WASHER	04
11	0502040141	OUTER FLANGE	01
12	0502040142	INNER FLANGE	01
13	0503010856	OIL PLUG	01
14	0521013856	PLATE PROTECTION	01
15	0503011334	3/8" X 3/4" BOLT	02
16	0503010025	3/8 SPRING WASHER	02
17	0501010984	FLAT WASHER	02



Item	Code	Description	QT
01	0501110766	HUB CARRYING WHEELS WITH BOLT	01
02	0541014720	CR 7076205/1/1 AXLE	01
03	0503010006	32210 ROLLER BEARING	01
04	0503010005	32212 ROLLER BEARING	01
05	0501010086	FLAT WASHER	01
06	0503010067	3/16" X 2.1/2" COTTER PIN	01
07	0502011647	COVER	01
08	0503010691	1/4" GREASE FITTING	01
09	0503010009	SEAL 00573-B	01
10	0503012723	502115 RENO RING	01
11	0503010298	1/4" X 1/2" BOLT	01
12	0503012457	UNF 1.1/4" CASTLE NUT	01



Item	Code	Description	QT
01	0511062260	CYLINDER CASE	01
02	0511062261	TURNBUCLELE	01
03	0502010382	5" HEAD	01
04	0502010966	2.5" X 5" RING SUPPORT	01
05	0503010287	D-2500 SCRAPER RING	01
06	0503010288	PACKING 2500-2500-375-B	01
07	0503010971	W2-2750-500 PK RING G.I	01
08	0503011062	8-425 BACK-UP RING	01
09	0503010351	2-425 N 3006-9B O'RING	01
10	0503010285	2-222 N 3006-9B O'RING	01
11	0502010965	2.5" X 5" PISTON	01
12	0503010552	PACKING 3750-4250-625-B	02
13	0503010974	W2-5000-500 PK RING G.E	01
14	0503010290	SELF ADJUSTING 1.1/2" UNF NUT	01
15	0503010002	1800 GREASE FITTING	02
16	0503030384	CON N-001 PLUG	02



Item	Code	Description	QT
01	0501011431	1-3/4" GANG BOLT WRENCH	01
02	0511064004	WRENCH	01

ANNOTATIONS



email: civemasa@civemasa.com.br

www.civemasa.com.br

Phone: +55 16.3382.8222

Fax: +55 16.3382.8355

MARCHESAN IMPLEMENTOS E MÁQUINAS AGRÍCOLAS "TATU" S.A.

Av. Marchesan, 1979 - Post Office box, 131 - Cep 15994-900 - Matão - Sp - Brasil

CNPJ 52.311.289/0001-63 | Inst. Est.441.000.151.114

Technical Publications: Elaboration

ALESSANDRA PATRICIA KAWAHARA CARRILI

Technical Publications: Revision

JOSÉ DOMINGOS GASPARI

Contact Catálogo:

E-mail = jgaspari@marchesan.com.br

ORIGINAIS PARTS
CIVEMASA

civemasa