

PARTS CATALOGUE

TAC 10000 TRAS 2,8/3,0 BOLA

Code: 0501091715



Series: S-1014

Review: AGO/2016

ORIGINAL PARTS
CIVEMASA

civemasa

PRODUCTS

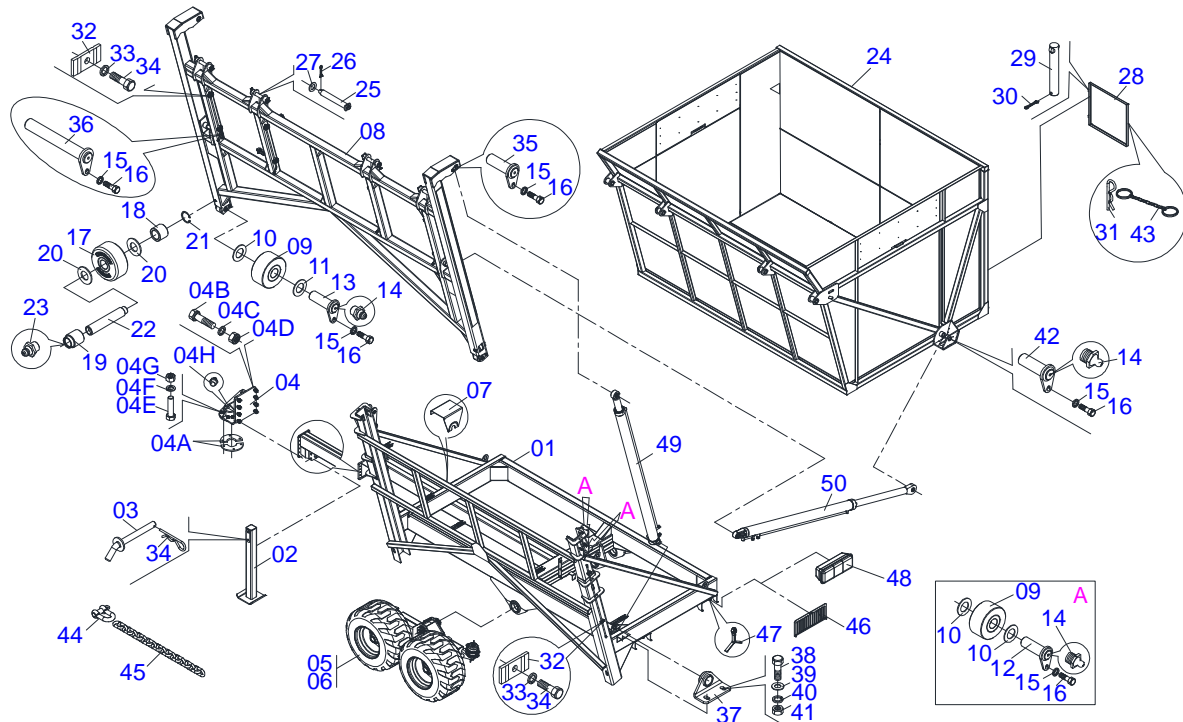
Code	Description
0120420342	TAC 10000 TRAS 2,8/3,0 BOLA S-1014

ATTENTION: **IMPORTANT**

CIVEMASA RESERVES THE RIGHT AT ANY TIME TO MAKE IMPROVEMENTS IN THE DESIGN, MATERIAL OR SPECIFICATIONS OF MACHINERY, EQUIPMENT OR PARTS WITHOUT THEREBY BECOMING LIABLE TO MAKE SIMILAR CHANGES IN MACHINERY, EQUIPMENT OR PARTS PREVIOUSLY SOLD.

INDEX

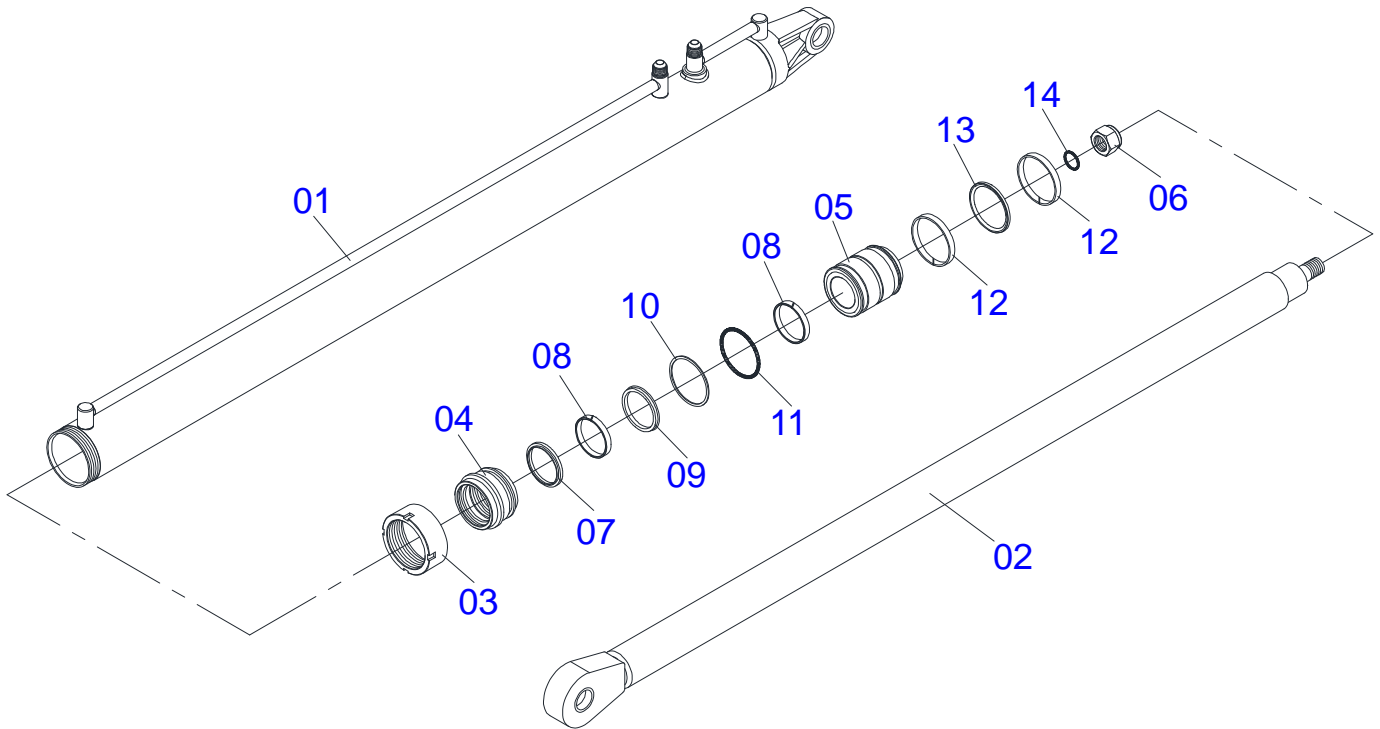
0909091994	DRAWBAR	1
0511047791	CILINDER ROCKER	2
0521045265	DRAWBAR ESTABILIZER	3
0909091964	SYSTEM LUBRICATION	4
0909091986	RIGHT ROCKER ARM/LEFT ROCKER ARM	5
0511056936	SISTEM ELECTRICAL	6
0511056934	SYSTEM PNEUMATIC	7
0511056935	HYDRAULIC SYSTEM	8



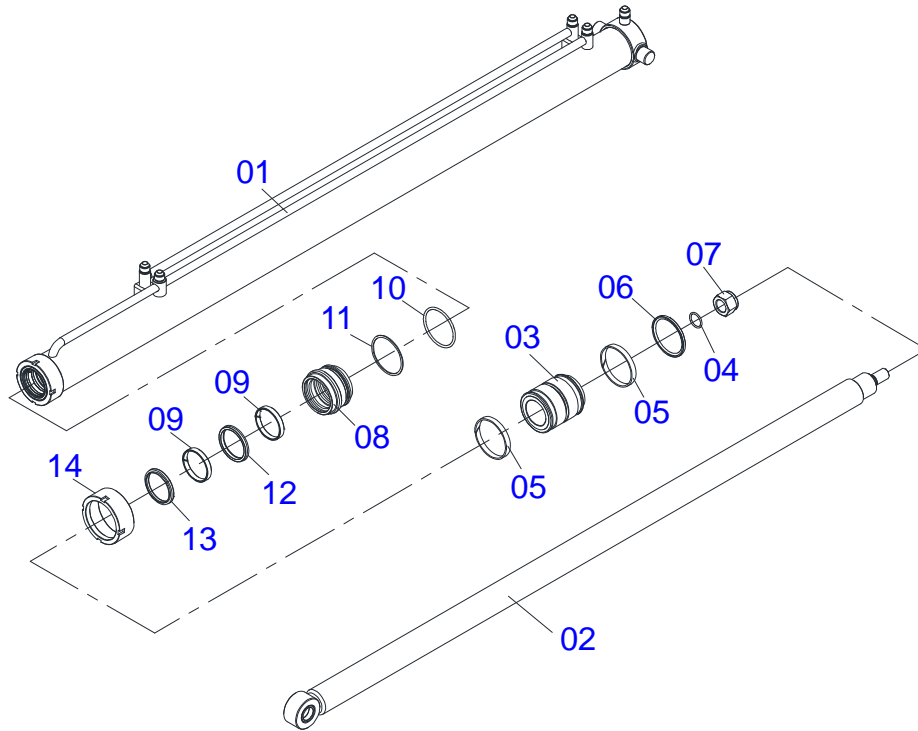
Item	Code	Description	QT
01	0521065698	REAR FRAME	01
02	0521065649	PLOUGH	01
03	0521065652	AXLE	01
04	0521045250	HITCH	01
04A	0551016939	FLANGE BI-LEAVING	02
04B	0501010100	BOLT	06
04C	0503010027	5/8" SPRING WASHER	06
04D	0503010013	PIN FREE HEAD	06
04E	0501010098	HEX BOLT 3/4 UNC X 2 C S G.5 ZN	08
04F	0503010027	5/8" SPRING WASHER	08
04G	0503010013	PIN FREE HEAD	08
04H	0503010002	GREASE FITTING	01
05	0511056921	RIGHT ROCKER ARM	01
06	0511056920	LEFT ROCKER ARM	01
07	0571016441	PROTECTION VALVE	01
08	0511068752	FRAME LIFT TCA 10500 CHE	01
09	0501110526	PULLEY	06
10	0551014871	FLAT WASHER	08
11	0551015940	FLAT WASHER	04
12	0511067985	PIN SUPPORT PULLEY	04
13	0511068766	PIN POULIE 38,1 X 110	02
14	0503010002	GREASE FITTING	02
15	0503010019	SPRING WASHER 1/2 ZN 1K01556	06
16	0503010834	1/2 X 1 BOLT	06
17	0501110540	SIDE PULLEY	02
18	0551014873	SLEEVE 25,70 X 38,1 X 30,5	02
19	0551014874	SLEEVE 25,70 X 38,1 X 45	02
20	0551014872	FLAT WASHER	04
21	0503014307	ANEL RET P/FURO	02
22	0551014860	PIN PULLEY LOWER	02
23	0503010691	1/4" GREASE FITTING	02
24	0521065643	BASKET	01
25	0511068336	PIVOT SHAFT	04

DRAWBAR

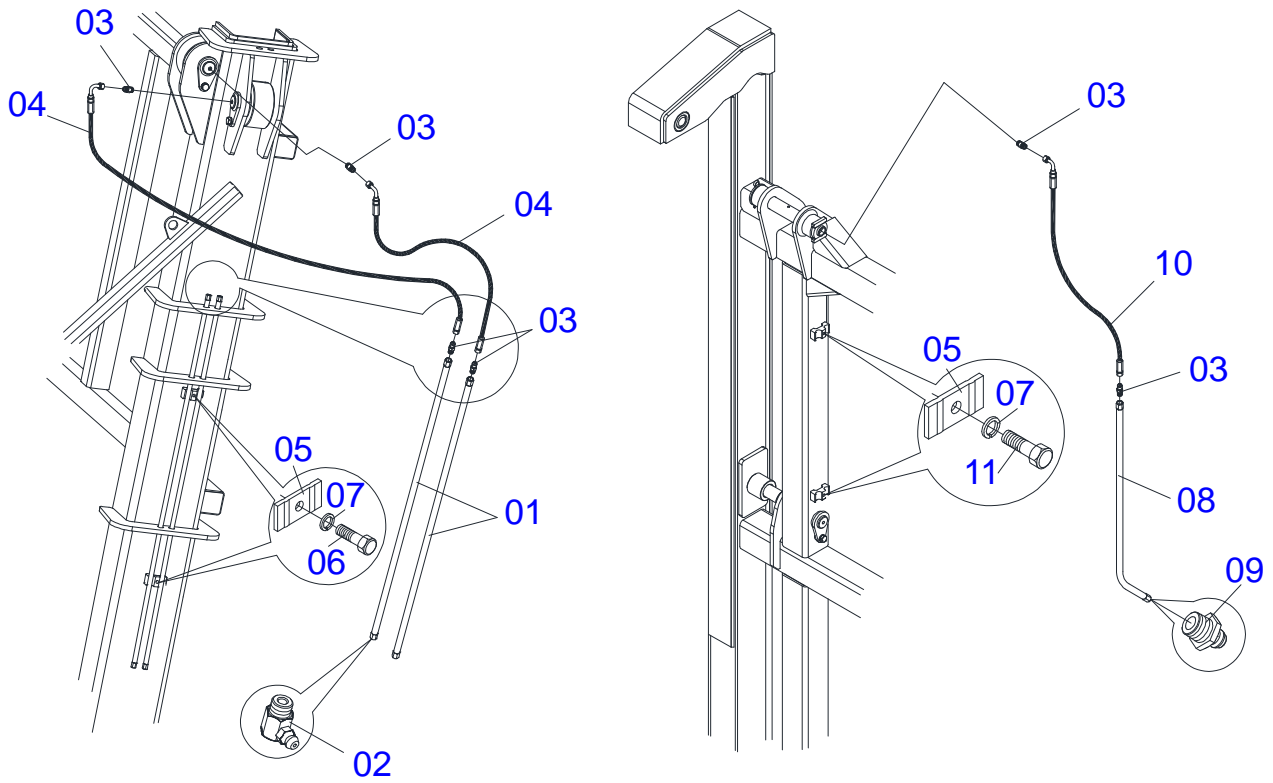
Item	Code	Description	QT
26	0503010534	3/8" X 2-1/2" COTTERPIN	04
27	0501012916	FLAT WASHER	04
28	0521065644	BOX	01
29	0521010553	0.5" X 3" COUPLING SHAFT	02
30	0503010257	1/8" X 1" COTTERPIN	02
31	0503030168	HAIR PIN 3 X 50 SDA 11/6	01
32	0531011180	UPPER CLAMP BODY	16
33	0503010025	SPRING WASHER	16
34	0503010751	BOLT	16
35	0511068767	PIN FIXER	02
36	0511067983	PIVOT SHAFT	02
37	0511068514	CYLINDER ELEVATION FIXER BEARING	02
38	0503010232	BOLT 5/8 UNC X 1.3/4 C S G.5 ZN	04
39	0501012140	FLAT WASHER 16,50 X 40 X 4,00 ZN	04
40	0503010027	5/8" SPRING WASHER	04
41	0503010013	PIN FREE HEAD	04
42	0511067982	PIVOT SHAFT	02
43	0503011423	CLAMPING RING (FOR AXLE)	01
44	0503014321	CABLE STEEL SHACKLE	02
45	0503014120	CHAIN	01
46	0561014113	PROTECTION BOX HEADLIGHT	02
47	0503010257	1/8" X 1" COTTERPIN	02
48	0503032811	FLASHLIGHT	02
49	0521045265	DRAWBAR ESTABILIZER	02
50	0511047791	CILINDER ROCKER	02



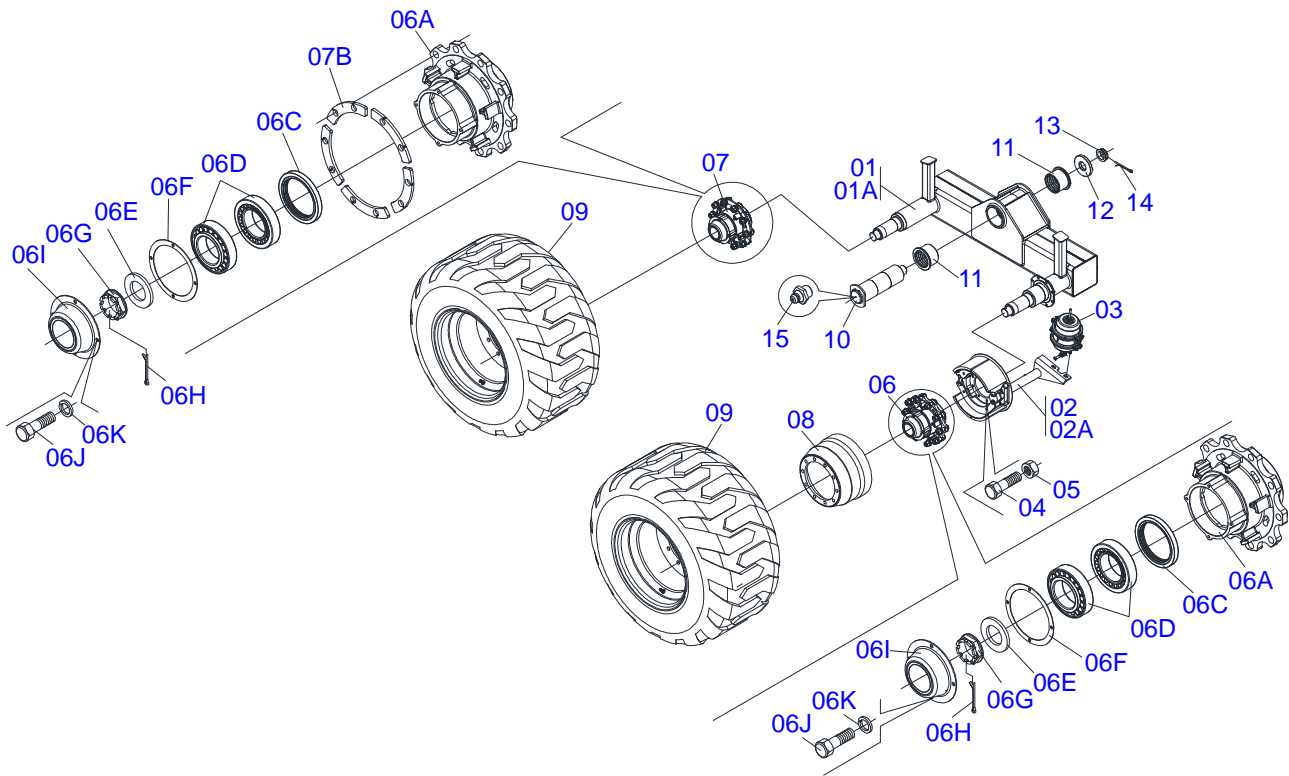
Item	Code	Description	
01	0521060538	CYLINDER CASE	01
02	0521060537	ROD CILINDER ROCKER	01
03	0541019606	MOBILE COVER	01
04	0551016445	RING SUPPORT	01
05	0551016446	101.6 X 63.5 PISTON	01
06	0503010817	1.1/4" UNF SELF ADJUSTING NUT	01
07	0503012642	D-3000 SCRAPER RING	01
08	0503013553	SEAL RING	02
09	0503013552	GASKET	01
10	0503011061	8-342 BACK-UP RING	01
11	0503010338	2-342 N 3006-9B O'RING	01
12	0503010994	W2-4000-500 PK RING G.E	02
13	0503012725	GASKET	01
14	0503010345	2-218 N 3006-9B O'RING	01



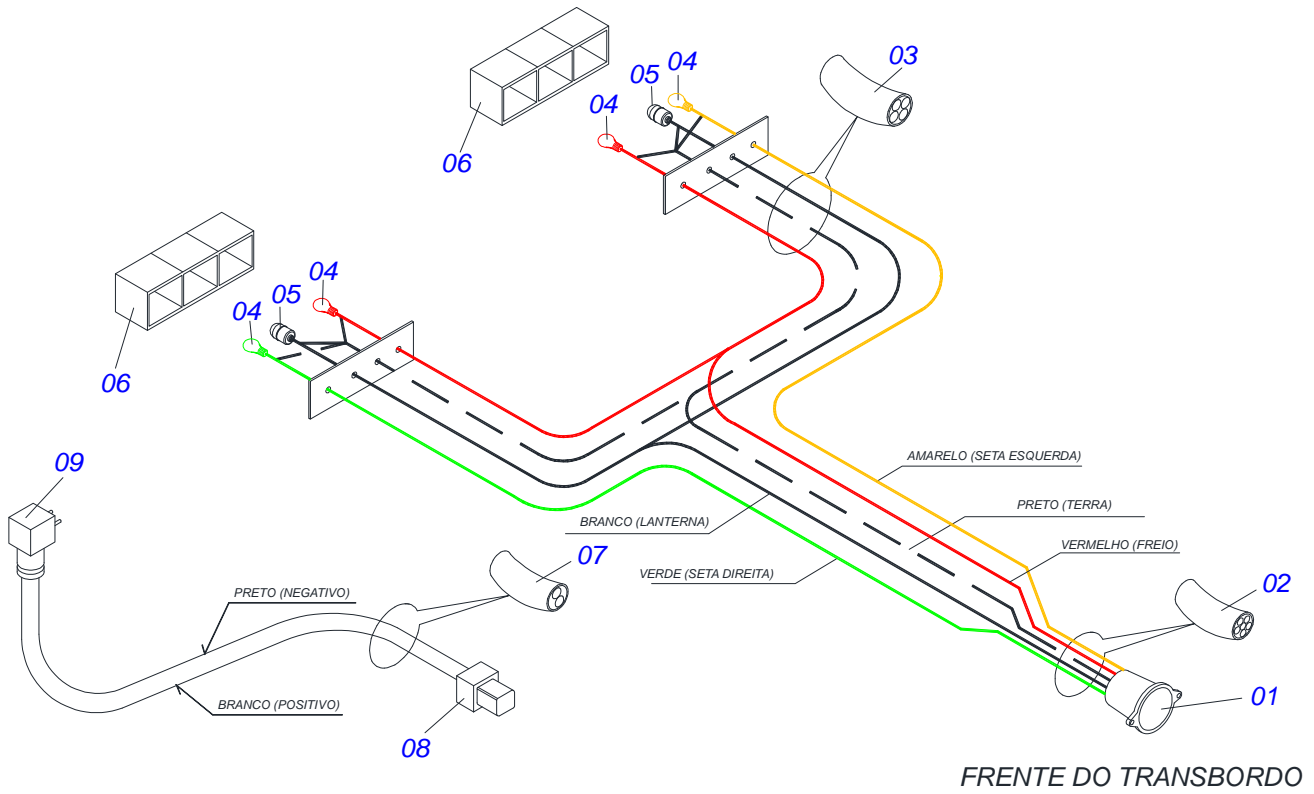
Item	Code	Description	QT
01	0511068728	CYLINDER CASE LIFT	01
02	0511068729	ROD CILINDER ELEVATION	01
03	0551016446	101.6 X 63.5 PISTON	01
04	0503010345	2-218 N 3006-9B O'RING	01
05	0503010994	W2-4000-500 PK RING G.E	02
06	0503012725	GASKET	01
07	0503010817	1.1/4" UNF SELF ADJUSTING NUT	01
08	0551016445	RING SUPPORT	01
09	0503013553	SEAL RING	02
10	0503010338	2-342 N 3006-9B O'RING	01
11	0503011061	8-342 BACK-UP RING	01
12	0503013552	GASKET	01
13	0503012642	D-3000 SCRAPER RING	01
14	0541019606	MOBILE COVER	01



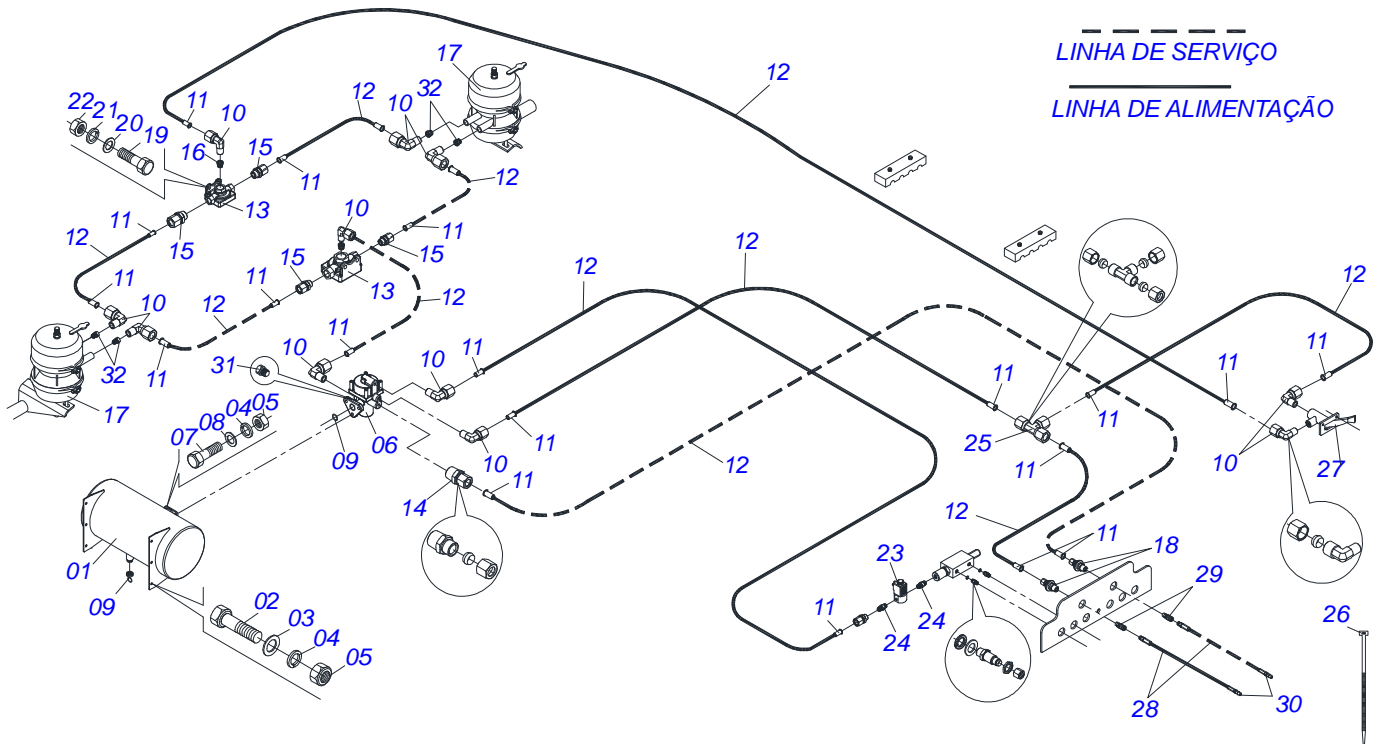
Item	Code	Description	QT
01	0511068779	GREASE TUBE GUIDE	04
02	0503010004	GREASE FITTING	04
03	0503012776	1/8" NF NIPPLE	16
04	0501081157	1/4 X 600 HOSE	04
05	0531011180	UPPER CLAMP BODY	12
06	0503010237	BOLT	04
07	0503010025	SPRING WASHER	12
08	0511069598	GREASE TUBE	04
09	0503010002	GREASE FITTING	04
10	0501081289	1/4 X 400 TR-TC HOSE	04
11	0503010751	BOLT	08



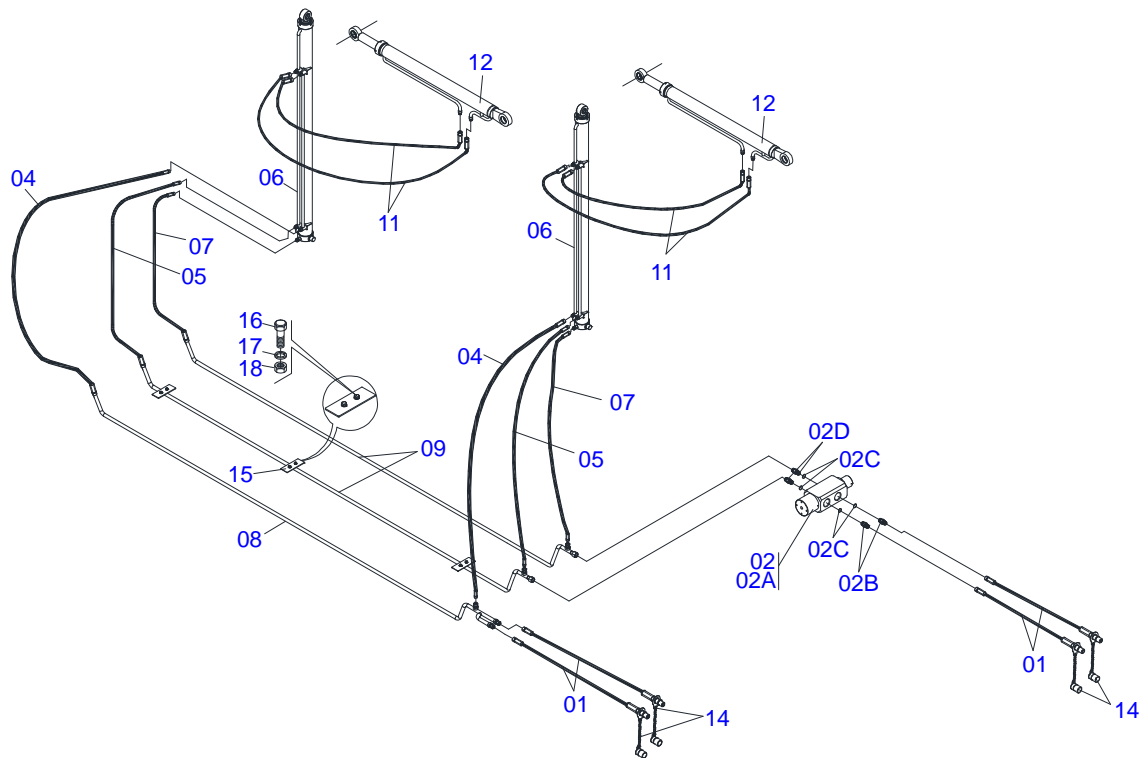
Item	Code	Description	QT
01	0521065651	LEFT ROCKER ARM	01
01a	0521065650	RIGHT ROCKER ARM	01
02	0503014052	BRAKE	02
02a	0503014053	BREAK	02
03	0503014056	SPRING BRAKE TUBE	02
04	0503010232	BOLT 5/8 UNC X 1.3/4 C S G.5 ZN	16
05	0503012412	HEX SELF ADJUSTING NUT 5/8 UNC S	16
06	0511045858	WHEEL HUB	02
06a	0502012462	CARRYING WHEEL HUB	02
06c	0503013541	SEAL	04
06d	0503010118	32218 ROLLER BEARING	08
06e	0531019986	FLAT WASHER	04
06f	0503013548	CORK JOINT	04
06g	0502040080	2.1/2" UM FLANGE NUT	04
06h	0503012213	1/4" X 4 COTTERPIN	04
06i	0503013549	HUB COVER	04
06j	0503013546	M10 X 1,5 X 20MM BOLT	16
06k	0503013542	M10 SPRING WASHER	16
07	0511048127	WHEEL HUB	02
07b	0561015521	FLANGE	10
08	0502020688	BRAKE DRUM	02
09	0503062363	WHEEL	04
10	0521062517	PIVOT SHAFT	02
11	0531016429	BUSHING	04
12	0551012036	FLAT WASHER	02
13	0502040080	2.1/2" UM FLANGE NUT	02
14	0503012213	1/4" X 4 COTTERPIN	02
15	0503010002	GREASE FITTING	02



Item	Code	Description	QT
01	0503017842	CONNECTION	01
02	0503013224	CABLE PP	12 m
03	0503015497	CABLE PP	03 m
04	0503032812	1141 12V LAMP	04
05	0503032813	67 12V 5W LAMP	02
06	0503032811	FLASHLIGHT	02
07	0503014046	CABLE PP	4,5 m
08	0503013789	CONNECTOR 4V/1,5MM	01
09	0503013566	PLUG	01



Item	Code	Description	QT
01	0503033132	RESERVOIR AR	01
02	0503010237	BOLT	06
03	0501010984	FLAT WASHER	06
04	0503010025	SPRING WASHER	09
05	0503010026	NUT	09
06	0503032389	VALVE	01
07	0503010751	BOLT	03
08	0501013518	FLAT WASHER	03
09	0503013421	2-125 N O'RING	01
10	0503032307	CONNECT ELBOW	11
11	0503014002	INSERT	11
12	0503032835	TUBE TECALON 1/2	20mt
13	0503013523	VALVE	01
14	0503014213	MALE CONNECTOR	01
15	0503014216	MALE CONNECTOR	04
16	0503013481	REDUCTOR	02
17	0503014056	SPRING BRAKE TUBE	02
18	0503014138	UNION ANTEP TUBE	02
19	0503010371	BOLT	04
20	0501010694	FLAT WASHER	04
21	0503010179	SPRING WASHER	04
22	0503010337	NUT	04
23	0503032387	VALVE	02
24	0503014486	NIPLE	01
25	0503032301	CONNECTION	03
26	0503013527	CLAMP ZIPER	30
27	0503014039	VALVE DRIVE 1/4 9201001G37571	01
28	0501081275	1/2 X 3250 TM-TM HOSE	02
29	0503014140	FEMALE QUICK COUPLER	02
30	0503013515	QUICK CONECTION	02
31	0503013518	1/4" PLUG	02
32	0503014037	REDUCTION	04



Item	Code	Description	QT
01	0501081486	HOSE	04
02	0501059638	VALVE	01
02a	0503032386	VALVE	01
02b	0541016753	NIPPLE	02
02c	0503011109	2-119 N 3006-9B O'RING	04
02d	0501010589	1-1/16 NIPPLE	02
03	0503013535	ADAPTER T TEE JIC 1.1/16	02
04	0501081320	HOSE	01
05	0501081715	HOSE	03
06	0521045265	DRAWBAR ESTABILIZER	02
07	0501080031	HOSE	02
08	0521065690	OIL CONDUCTOR	01
09	0521065654	OIL CONDUCTOR (PRESSURE)	02
10	0501081275	1/2 X 3250 TM-TM HOSE	02
11	0501081019	HOSE	04
12	0511047791	CILINDER ROCKER	02
14	0501053834	QUICK CONECTION (MALE) 1/2NPT	04
15	0571017907	PLATE	02
16	0503010481	BOLT	04
17	0503010025	SPRING WASHER	04
18	0503010026	NUT	04



email: civemasa@civemasa.com.br

www.civemasa.com.br

Phone: +55 16.3382.8222

Fax: +55 16.3382.8355

MARCHESAN IMPLEMENTOS E MÁQUINAS AGRÍCOLAS "TATU" S.A.

Av. Marchesan, 1979 - Post Office box, 131 - Cep 15994-900 - Matão - Sp - Brasil

CNPJ 52.311.289/0001-63 | Inst. Est.441.000.151.114

Drafting and Illustration = GASPARI
e.mail = jgaspari@marchesan.com.br

ORIGINAIS PARTS
CIVEMASA

The Civemasa logo, identical to the one at the top of the page, positioned at the bottom right of the page.