

**OVERFLOW TRUCK**

## TAC 14000 C/D 2,9 BALL

**Code:** 0501091711  
**Series:** S-0911  
**Revision:** 00  
**Revision Date:** AGOSTO/2016

# PARTS CATALOGUE


***CIVEMASA***

# PRODUCTS

<b>Code</b>	<b>Description</b>
0120420300	TAC 14000 C/D 2,9 BOLA S-0911

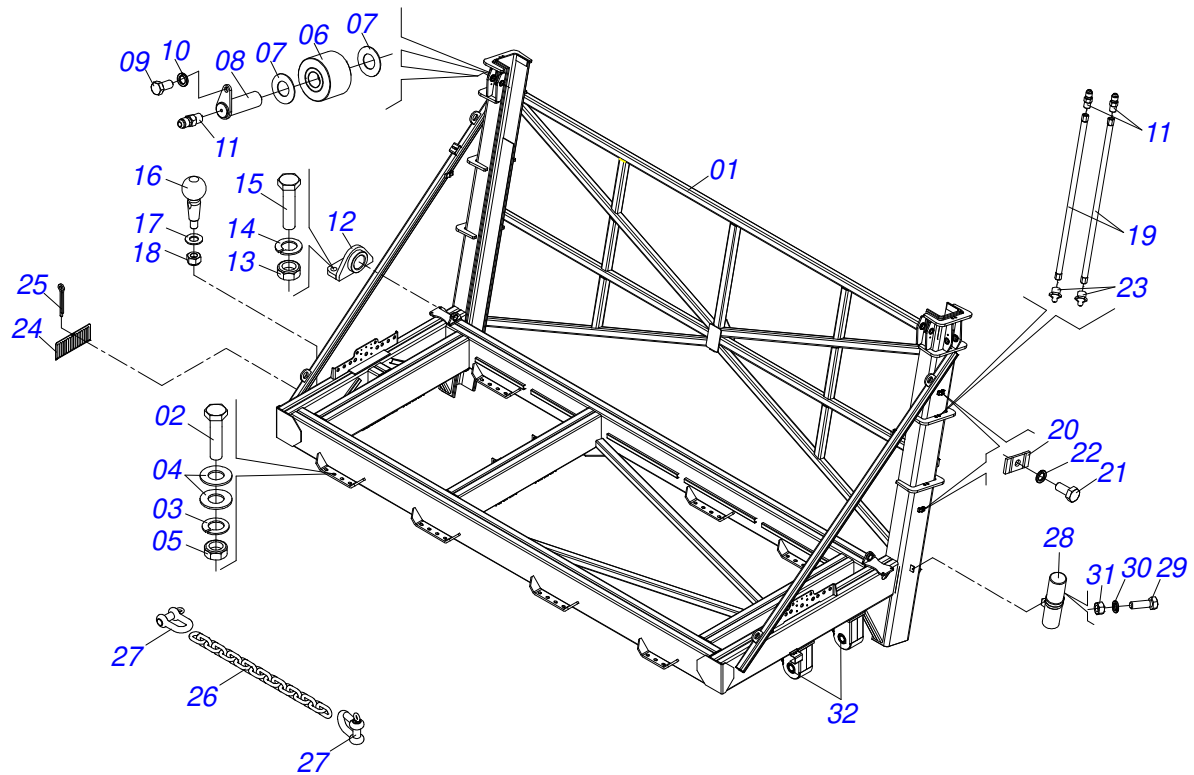
## **ATTENTION: IMPORTANT**

CIVEMASA reserves the right to improve and/or modify the technical features of its products, without obligation to do the same with those products already sold and without prior knowledge of the dealer or the consumer. The photos are only illustrative.



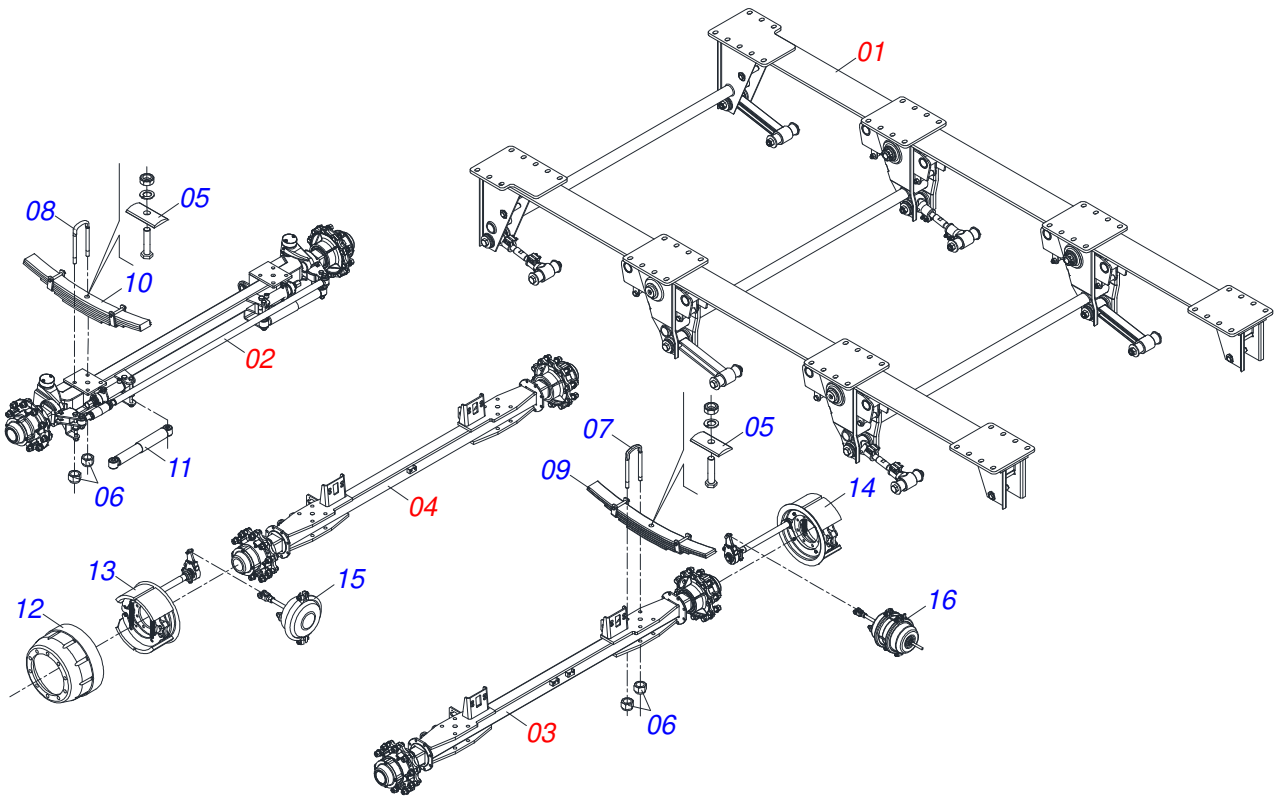
# INDEX

0511051178	FRAME SEMI MOUNTED	.....	1
0511046175	FULL SUSPENSION WITH AXES	.....	2
0501056982	SUSPENSION	.....	3
0501057022	FRONT AXLE COMPLETE	.....	4
0501057000	AXLE RIGHT SLEEVE MOUNTED	.....	5
0501057001	AXLE LEFT SLEEVE MOUNTED	.....	6
0511044957	HYDRAULIC CYLINDER	.....	7
0501057796	REAR AXLE COMPLETE	.....	8
0501057797	AXLE COMPLETE ITERMEDIARIO	.....	9
0511049725	DRAWBAR ASSY	.....	10
0511045699	DRAWBAR JACK	.....	11
0511047800	COMPLETE FRONT HITCH BALL	.....	12
0511049723	LIFT ASSY	.....	13
0511049724	FULL BASKET	.....	14
0909091990	HYDRAULIC CIRCUIT C/D	.....	15
0511045963	HYDRAULIC CYLINDER	.....	16
0511049721	TILTING CYLINDER	.....	17
0501058876	PNEUMATIC SYSTEM	.....	18
0501058878	ELECTRICAL SYSTEM	.....	19
0503061865	WHEELS AND TIRE	.....	20

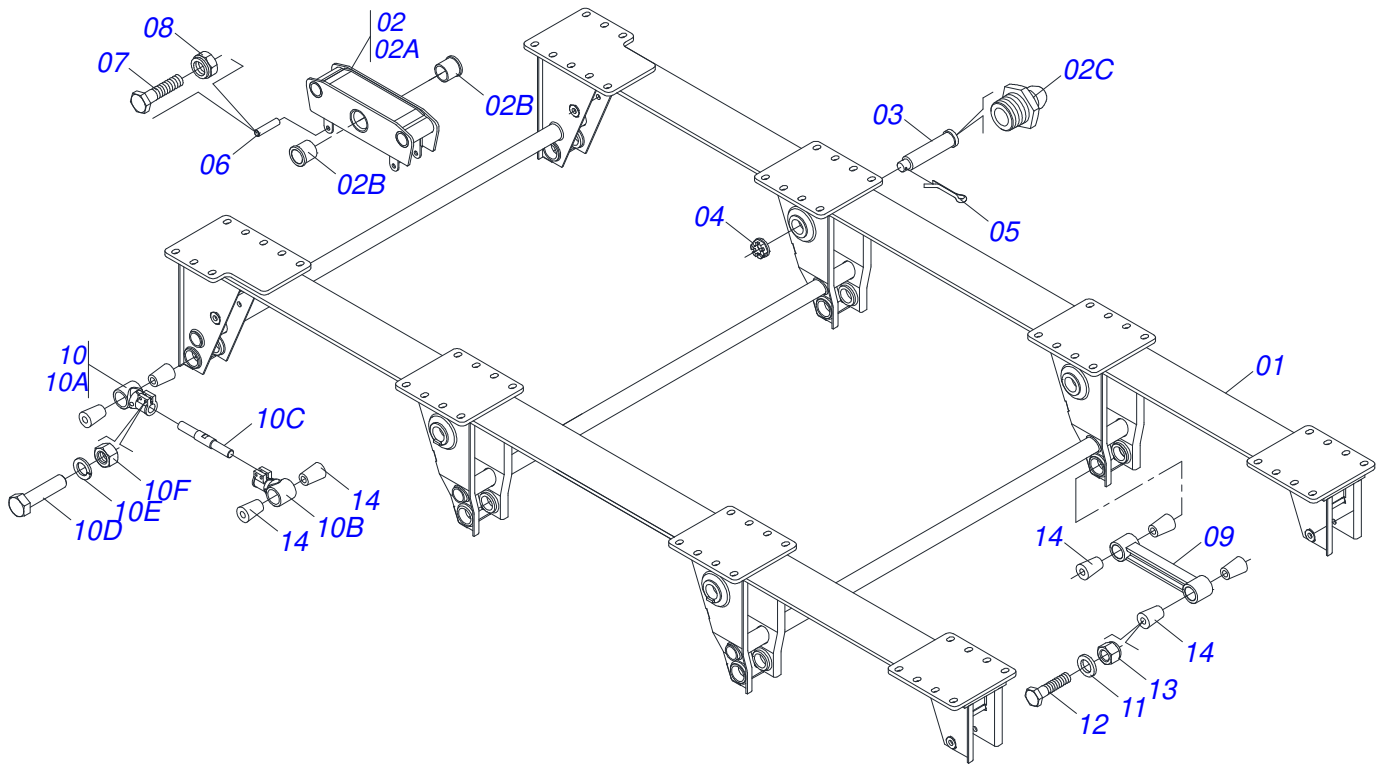


Item	Code	Description	See page	QT
01	0521062260	FRAME		01
02	0501010500	3/4"X3"BOLT		56
03	0503010023	3/4" SPRING WASHER		56
04	0501010322	FLAT WASHER		**
05	0503010014	3/4" NUT		56
06	0501110526	LOWER PULLEY		04
07	0551014871	FLAT WASHER		08
08	0511067985	PIN UPPER PULLEY		04
09	0503010834	1/2 X 1 BOLT		04
10	0503010019	1/2" SPRING WASHER		04
11	0503012776	1/8" NF NIPPLE		08
12	0521062452	LIFT CYLINDER BEARING FIXER		02
13	0503010013	5/8" NUT		04
14	0503010027	5/8" SPRING WASHER		04
15	0501010100	SCREW 5/8 UNC X 2 CS G.5 ZN		04
16	0541015756	HITCH PIN MALE		01
17	0521011721	1.6" X 3.94" X 0.12" WASHER		01
18	0503010290	SELF ADJUSTING 1.1/2" UNF NUT		01
19	0511068779	GREASE TUBE GUIDE		04
20	0531011180	UPPER BODY CLIP		04
21	0503010237	3/8" X 1" BOLT		04
22	0503010025	3/8" SPRING WASHER		04
23	0503010002	1800 GREASE FITTING		04
24	0561014113	PROTECTION BOX HEADLIGHT		02
25	0503010257	1/8" X 1" COTTERPIN		02
26	0503014120	CHAIN		01
27	0503014321	CABLE STEEL SHACKLE		02
28	0503060100	OPERATOR'S MANUAL STORAGE TUBE		01
29	0503010371	5/16" X 1" BOLT		01
30	0503010179	LOCK WASHER		01
31	0503010337	5/16" NUT		01

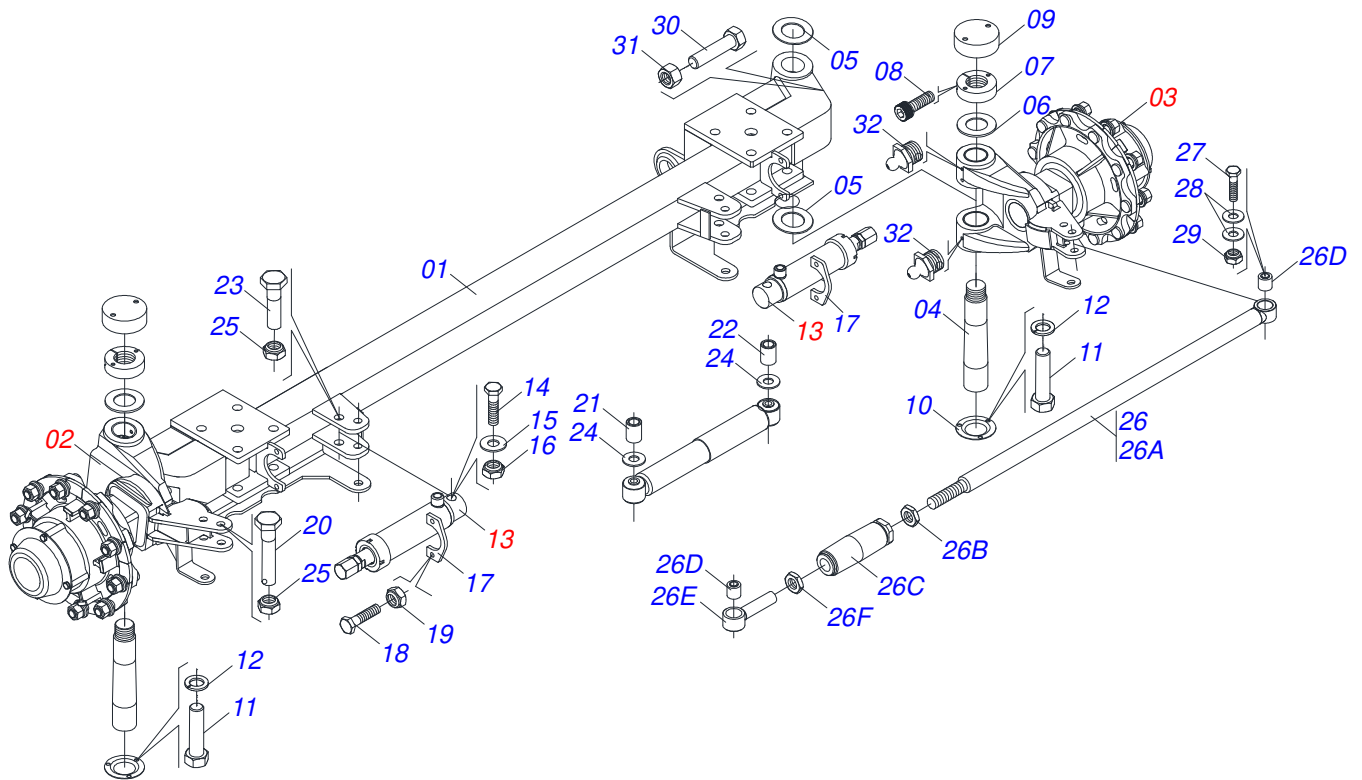
<b>Item</b>	<b>Code</b>	<b>Description</b>	<b>See page</b>	<b>QT</b>
32	0551014408	SLEEVE 50,5 X 63 X 60		02



Item	Code	Description	See page	QT
01	0501056982	SUSPENSION	3	01
02	0501057022	FRONT AXLE COMPLETE	4	01
03	0501057796	REAR AXLE COMPLETE	8	01
04	0501057797	AXLE COMPLETE ITERMEDIARIO	9	01
05	0502012410	SPRING SUPPORT BEAM		06
06	0503010812	7/8" UNF SELF LOCKING NUT		24
07	0503014395	7/8" 124 X 290 STAPLE		06
08	0503014396	7/8" 124 X 305 STAPLE		06
09	0503013982	BEAM SPRING 06 BLADE		03
10	0503013983	BEAM SPRING 07 BLADE		03
11	0503032822	SHOCK ABSORBER		02
12	0502020688	BRAKE DRUM		04
13	0503014054	BRAKE MASTER		02
14	0503014055	BRAKE MASTER		02
15	0503014058	BRAKE CHAMBER		02
16	0503014057	BRAKE CHAMBER		02



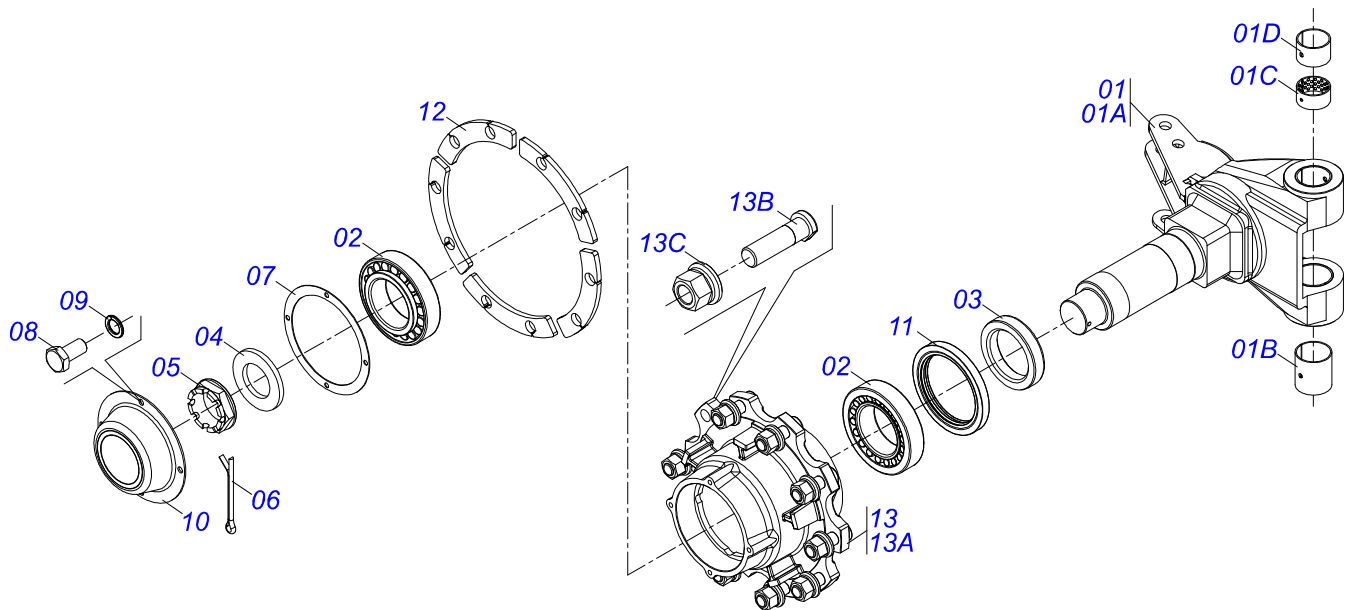
Item	Code	Description	See page	QT
01	0511067449	FRAME	01	
02	0501056983	BELL CRANK ASSY	04	
02A	0511067378	BELL CRANK	04	
02B	0541019980	SLEEVE	08	
02C	0503010002	1800 GREASE FITTING	04	
03	0551010073	AXIS ARTICULATOR	04	
04	0501013243	1.1/2" CASTLE NUT	04	
05	0503010010	1/4" X 2.1/2" COTTERPIN	04	
06	0541019992	SLEEVE	12	
07	0503010967	SCREW 5/8 UNC X 5.1/2 CS G.5 ZN	08	
08	0503012412	5/8 UNC SELF LOCKING NUT	08	
09	0502040594	STABILIZER ARM	03	
10	0501056985	ADJUSTABLE STABILIZER	03	
10A	0502040608	STABILIZER ARM	01	
10B	0502040649	STABILIZER ARM	01	
10C	0541019962	SPINDLE ARM	01	
10D	0503011179	3/8" X 2-1/4" BOLT	04	
10E	0503010025	3/8" SPRING WASHER	04	
10F	0503010026	3/8" NUT	04	
11	0541019930	FLAT WASHER	24	
12	0503014042	M24 X 2 X 190 BOLT	12	
13	0503010229	M24 X 2" SELF ADJUSTING NUT	12	
14	0503013991	BUSHING CONICAL	24	



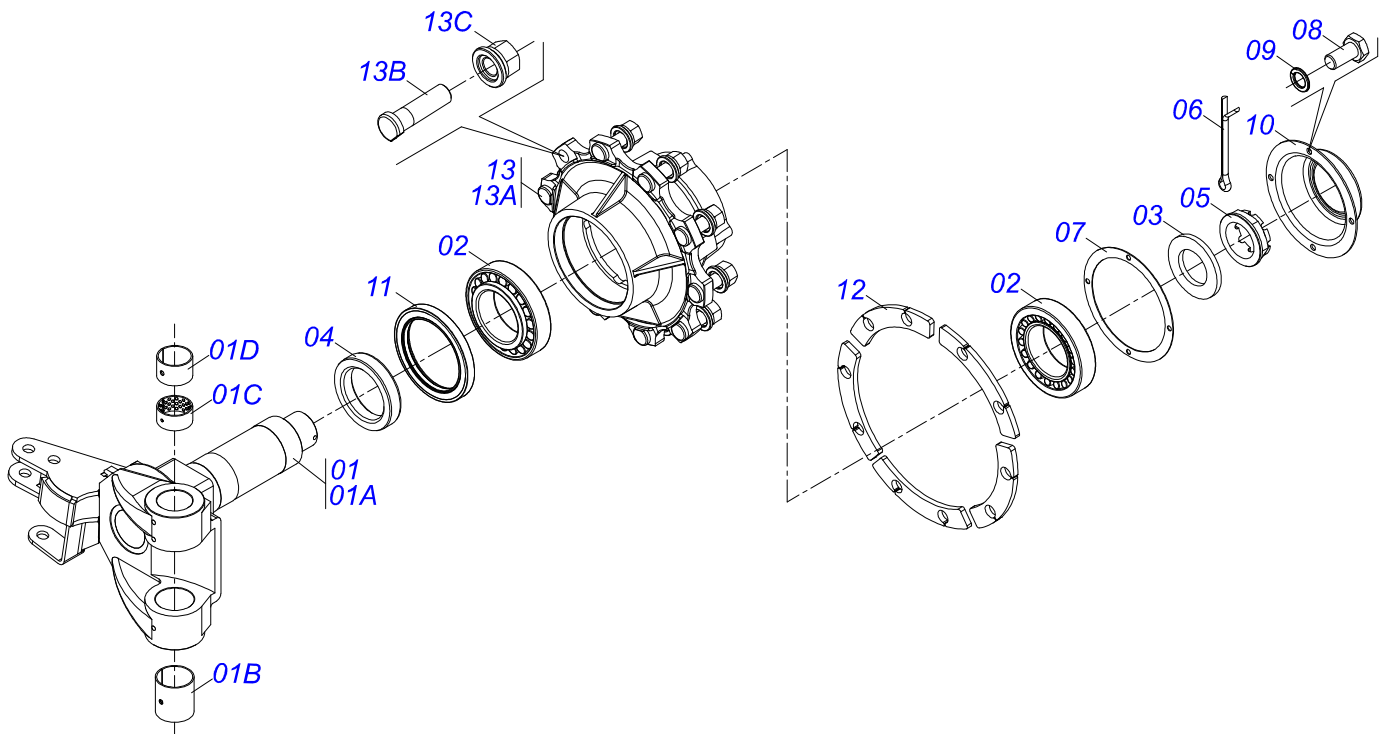
Item	Code	Description	See page	QT
01	0511068302	FRONT AXLE		01
02	0501057000	AXLE RIGHT SLEEVE MOUNTED	5	01
03	0501057001	AXLE LEFT SLEEVE MOUNTED	6	01
04	0541019961	PIVOT AXLE		02
05	0551014048	FLAT WASHER		04
06	0551010396	WASHER CANT		02
07	0551010401	LOCK NUT		02
08	0503010728	M10 X 1.2" BOLT		02
09	0511067573	UPPER COVER		02
10	0551010394	LOWER COVER		02
11	0503013546	BOLT SX MA5,8 M10X1,5X20ZA DI		10
12	0503013542	M10 SPRING WASHER		10
13	0511044957	HYDRAULIC CYLINDER	7	02
14	0503011117	7/8" X 5" BOLT		02
15	0501010076	FLAT WASHER		02
16	0503011125	SELF ADJUSTING 7/8" UNC NUT		02
17	0551010398	GUIDE HOLDER		02
18	0503012135	BOLT 1/2 UNF X 1.1/2 CS G.5 ZN		04
19	0503012136	NUT 1/2 NF		04
20	0511016281	3/4" X 8" BOLT		02
21	0551010399	SLEEVE		02
22	0551010400	SLEEVE		02
23	0501013475	3/4 UNC X 7.1/2 C S G.5 ZN BOLT		02
24	0501817065	FLAT WASHER		04
25	0503011075	3/4" UNC NUT		04
26	0501059269	STABILIZER BAR		01
26A	0521061123	BODY BAR		01
26B	0541019969	LOOK NUT RIGHT		01
26C	0541019968	LOOK NUT LEFT		01
26D	0503032947	BUSHING		02
26E	0521061124	LEFT REGULATOR		01



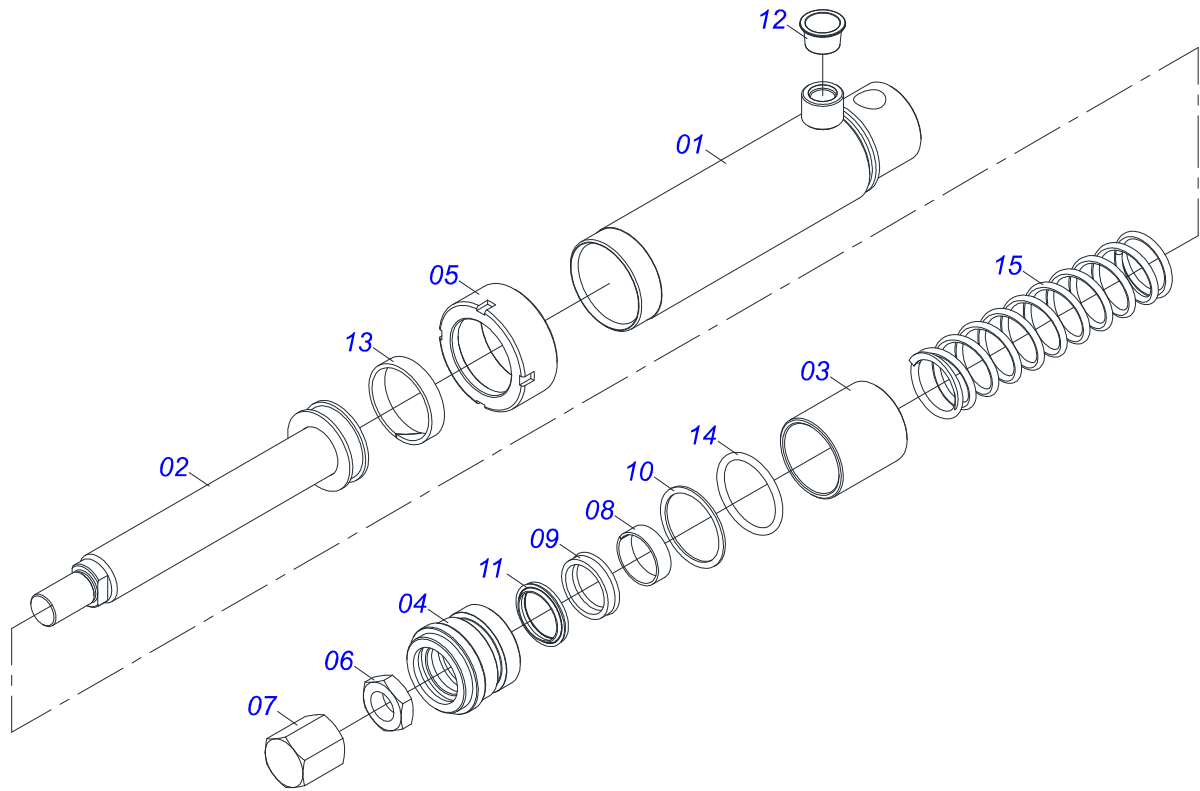
<b>Item</b>	<b>Code</b>	<b>Description</b>	<b>See page</b>	<b>QT</b>
26F	0521061093	EXTENDER BAR		01
27	0511010392	BOLT		02
28	0501817065	FLAT WASHER		04
29	0503011075	3/4" UNC NUT		02
30	0501010098	3/4" UNC BOLT		02
31	0503010014	3/4" NUT		02
32	0503010002	1800 GREASE FITTING		06



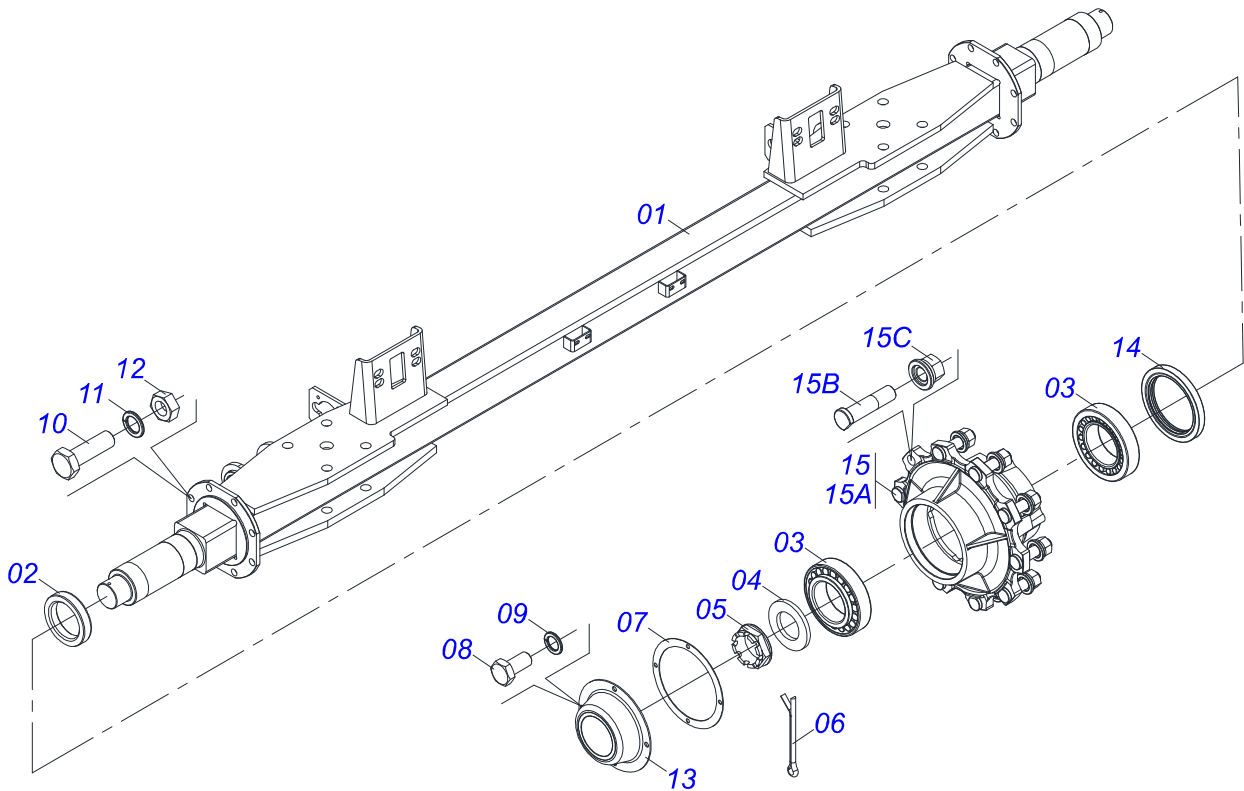
Item	Code	Description	See page	QT
01	0501110479	AXIS DRIFT SLEEVE		01
01A	0511067381	AXIS		01
01B	0503032801	GLOVE		01
01C	0503032800	GLOVE		01
01D	0503032799	GLOVE		01
02	0503010118	32218 BEARING		02
03	0551010397	GLOVE		01
04	0531019986	64 X 110 X 9.5 FLAT WASHER		01
05	0502040080	FLANGE NUT R.2.1/2 UN		01
06	0503012213	1/4" COTTERPIN		01
07	0503013548	JOINT CORK		01
08	0503013546	BOLT SX MA5,8 M10X1,5X20ZA DI		04
09	0503013542	M10 SPRING WASHER		04
10	0503013549	HUB COVER		01
11	0503013541	RETAINER		01
12	0561015521	FLANGE		05
13	0501110761	HUB AND BOLT		01
13A	0502012462	WHEEL HUB		01
13B	0503014050	22 X 1.5 BOLT		10
13C	0503014048	22 X 1.5 HEX NUT		10



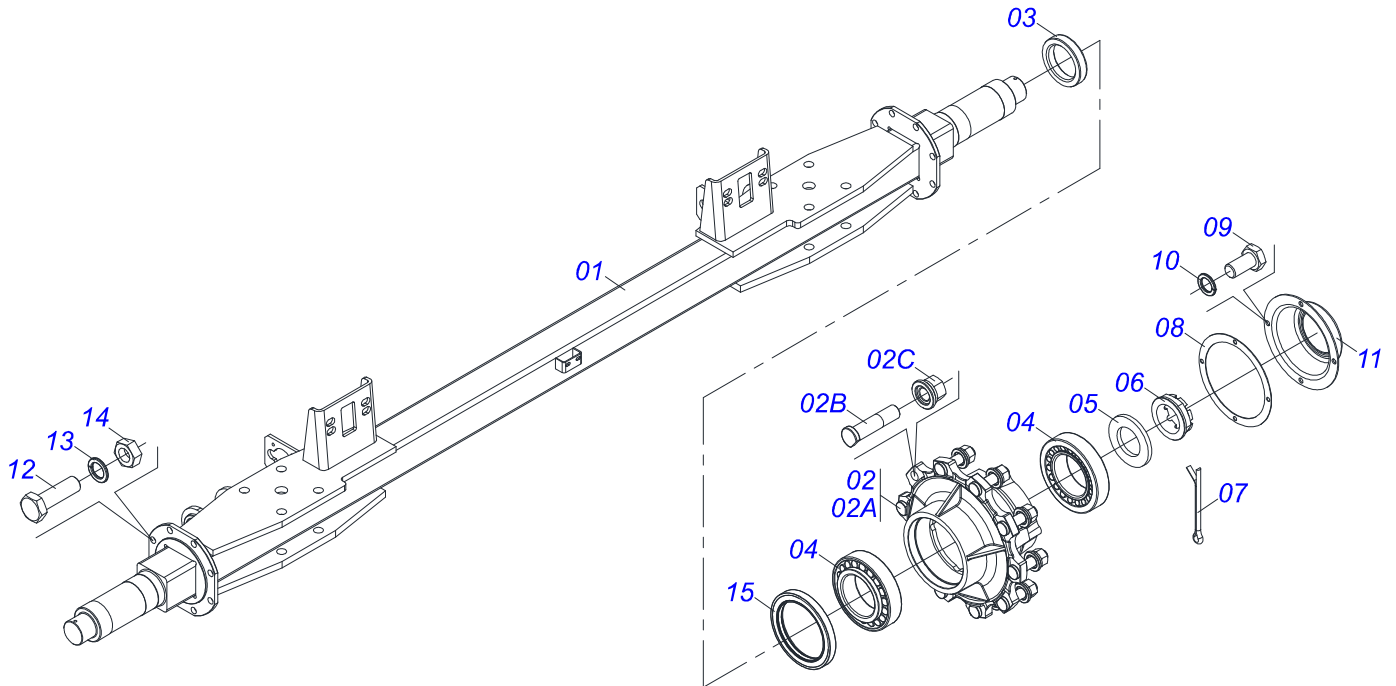
Item	Code	Description	See page	QT
01	0501110480	AXIS DRIFT SLEEVE		01
01A	0511067380	MANGO		01
01B	0503032801	GLOVE		01
01C	0503032800	GLOVE		01
01D	0503032799	GLOVE		01
02	0503010118	32218 BEARING		02
03	0531019986	64 X 110 X 9.5 FLAT WASHER		01
04	0551010397	GLOVE		01
05	0502040080	FLANGE NUT R.2.1/2 UN		01
06	0503012213	1/4" COTTERPIN		01
07	0503013548	JOINT CORK		01
08	0503013546	BOLT SX MA5,8 M10X1,5X20ZA DI		04
09	0503013542	M10 SPRING WASHER		04
10	0503013549	HUB COVER		01
11	0503013541	RETAINER		01
12	0561015521	FLANGE		05
13	0501110761	HUB AND BOLT		01
13A	0502012462	WHEEL HUB		01
13B	0503014050	22 X 1.5 BOLT		10
13C	0503014048	22 X 1.5 HEX NUT		10



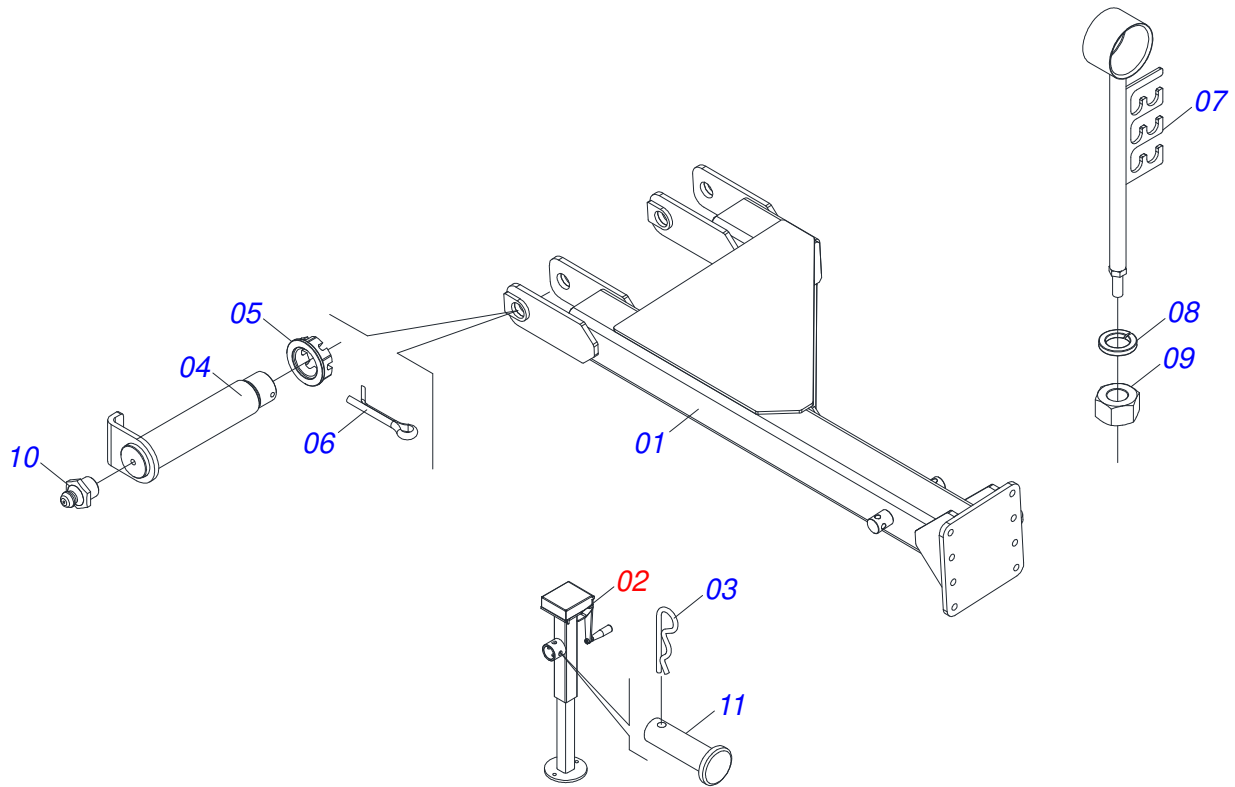
Item	Code	Description	See page	QT
01	0511067490	CASE		01
02	0511067489	PISTON		01
03	0551010486	GLOVE		01
04	0551010482	RING SUPPORT		01
05	0502010471	MOBILE COVER		01
06	0551010484	NUT		01
07	0551010481	BLIND NUT		01
08	0503010970	W1-1650-500 PK O'RING G.E		01
09	0503010989	1870-1500-375-B GASKET		01
10	0503011058	8-330 BACK-UP RING		01
11	0503010163	D-1500 SCRAPER RING		01
12	0503030384	CON PLUG N-001		01
13	0503010973	W2-2500-500 PK O'RING G.E		01
14	0503010161	2-330 N 3006 9B O'RING		01
15	0503034317	COMPRES SPRING		01
16	0511034338	CYLINDER REPAIR KIT (0511044957)		01



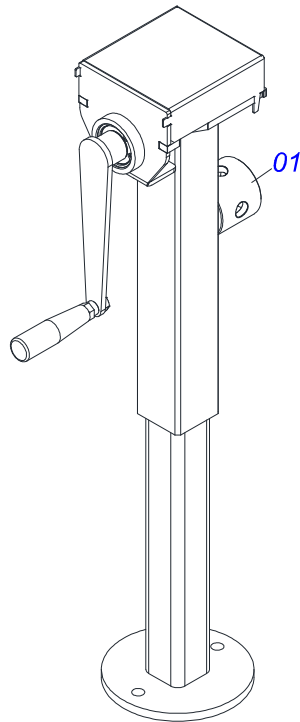
Item	Code	Description	See page	QT
01	0511068917	REAR AXLE		01
02	0551010397	GLOVE		02
03	0503010118	32218 BEARING		04
04	0531019986	64 X 110 X 9.5 FLAT WASHER		02
05	0502040080	FLANGE NUT R.2.1/2 UN		02
06	0503012213	1/4" COTTERPIN		02
07	0503013548	JOINT CORK		02
08	0503013546	BOLT SX MA5,8 M10X1,5X20ZA DI		08
09	0503013542	M10 SPRING WASHER		08
10	0501010100	SCREW 5/8 UNC X 2 CS G.5 ZN		16
11	0503010027	5/8" SPRING WASHER		16
12	0503010013	5/8" NUT		16
13	0503013549	HUB COVER		02
14	0503013541	RETAINER		02
15	0501110771	CARRYING WHEEL HUB		02
15A	0502012462	WHEEL HUB		01
15B	0503014049	M22 X 1,5 X 89/97" BOLT		10
15C	0503014048	22 X 1.5 HEX NUT		10



Item	Code	Description	See page	QT
01	0511068914	AXLE INTERMEDIATE		01
02	0501110771	CARRYING WHEEL HUB		02
02A	0502012462	WHEEL HUB		01
02B	0503014049	M22 X 1,5 X 89/97" BOLT		10
02C	0503014048	22 X 1.5 HEX NUT		10
03	0551010397	GLOVE		02
04	0503010118	32218 BEARING		04
05	0531019986	64 X 110 X 9.5 FLAT WASHER		02
06	0502040080	FLANGE NUT R.2.1/2 UN		02
07	0503012213	1/4" COTTERPIN		02
08	0503013548	JOINT CORK		02
09	0503013546	BOLT SX MA5,8 M10X1,5X20ZA DI		08
10	0503013542	M10 SPRING WASHER		08
11	0503013549	HUB COVER		02
12	0501010100	SCREW 5/8 UNC X 2 CS G.5 ZN		16
13	0503010027	5/8" SPRING WASHER		16
14	0503010013	5/8" NUT		16
15	0503013541	RETAINER		02

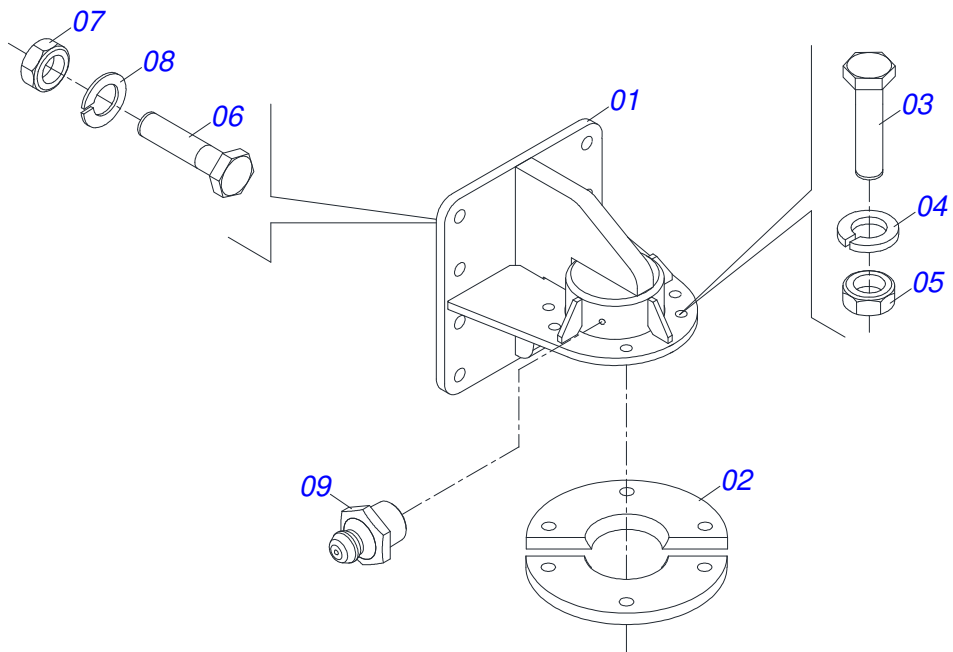


Item	Code	Description	See page	QT
01	0521062475	DRAWBAR		01
02	0511045699	DRAWBAR JACK	11	01
03	0503030168	HAIR PIN		01
04	0521062476	HEADER JOINT AXIS		02
05	0501010888	1.3/4" 2.5/16" CASTLE NUT		02
06	0503010010	1/4" X 2.1/2" COTTERPIN		02
07	0521061379	HOSE HOLDER		01
08	0503010023	3/4" SPRING WASHER		01
09	0503010014	3/4" NUT		01
10	0503010002	1800 GREASE FITTING		02
11	0541011345	16 X 68 PLUGGER		01

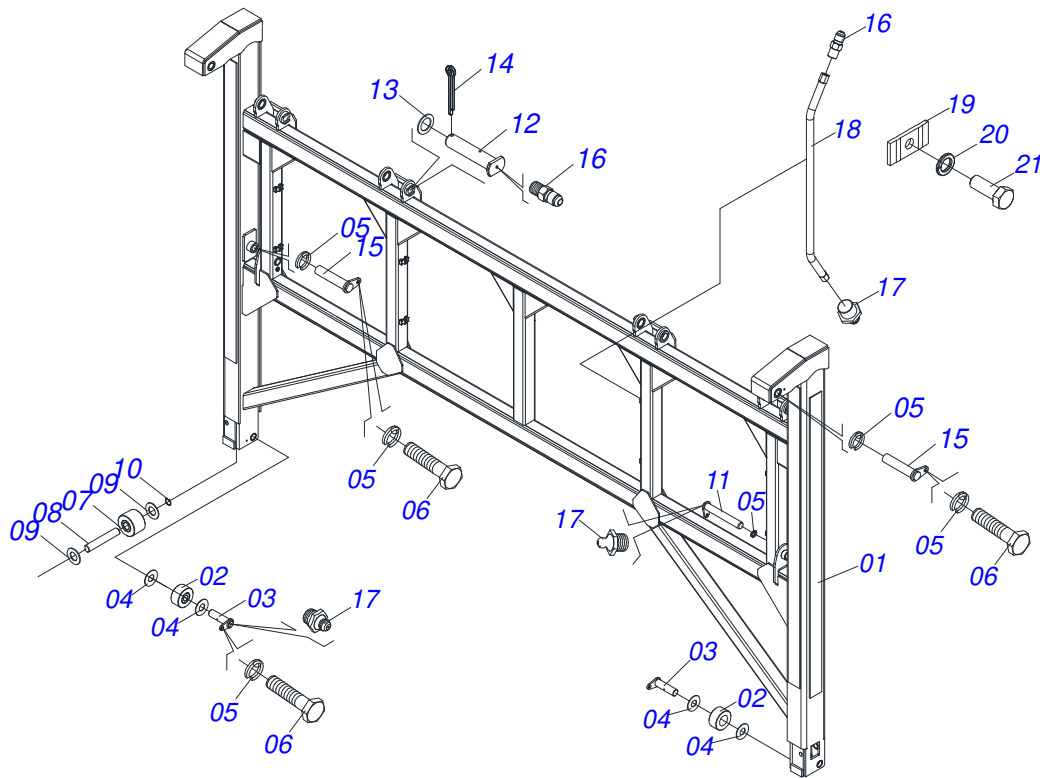


Item	Code	Description	See page	QT
001	0503062228	HEADER JACK		01

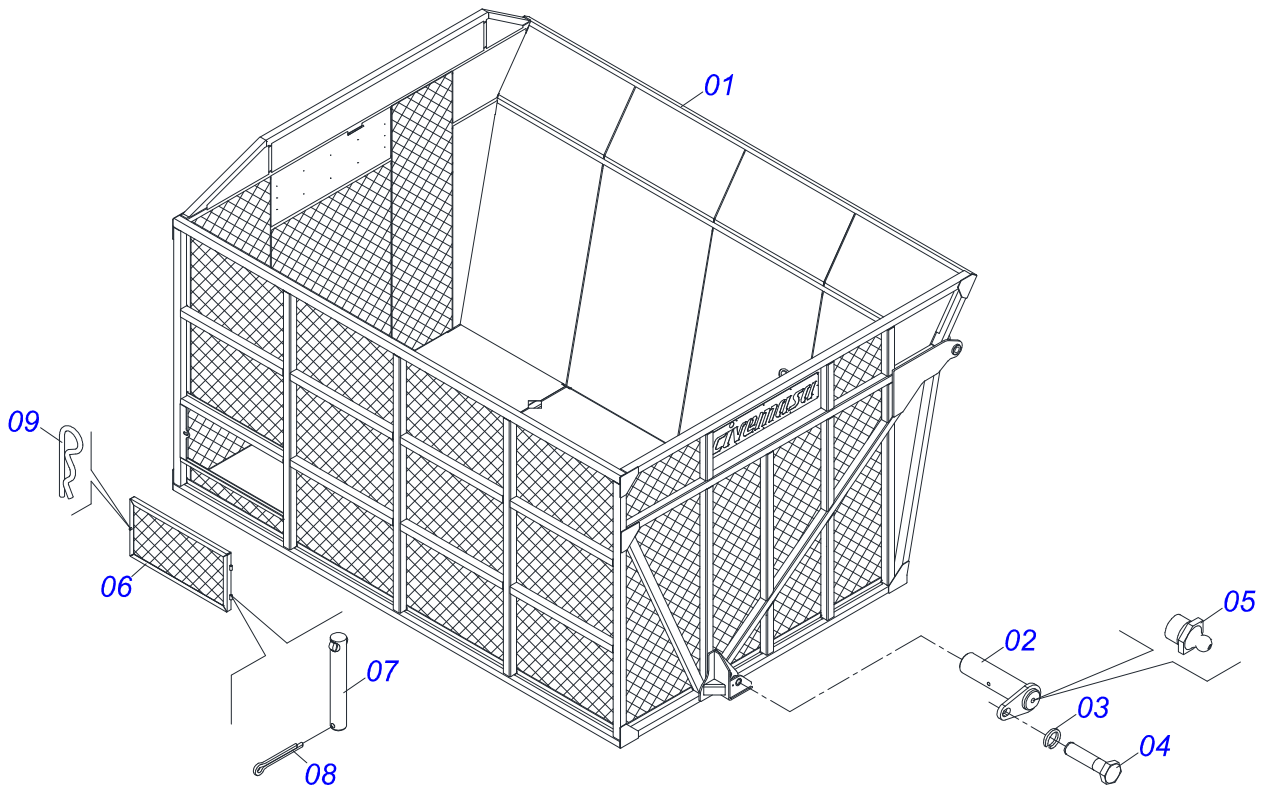




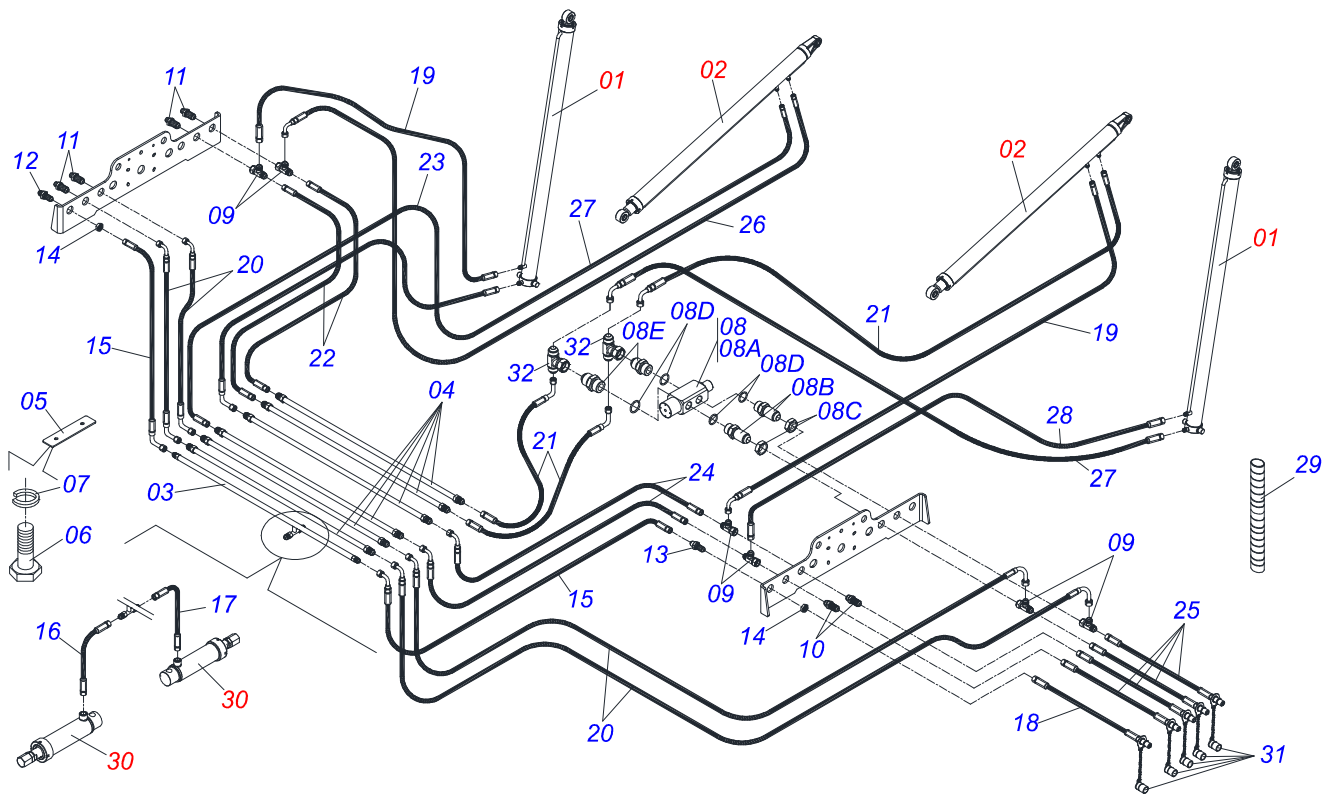
Item	Code	Description	See page	QT
01	0521060552	HITCH FRONT FLANGED		01
02	0551016939	FLANGE BI-LEAVING		02
03	0501010100	SCREW 5/8 UNC X 2 CS G.5 ZN		06
04	0503010027	5/8" SPRING WASHER		06
05	0503010013	5/8" NUT		06
06	0501010098	3/4" UNC BOLT		08
07	0503010014	3/4" NUT		08
08	0503010023	3/4" SPRING WASHER		08
09	0503010002	1800 GREASE FITTING		01



Item	Code	Description	See page	QT
01	0521062461	LIFT LOAD	01	
02	0501110526	LOWER PULLEY	02	
03	0521060339	AXIS 38,10 X 150	02	
04	0551014871	FLAT WASHER	04	
05	0503010019	1/2" SPRING WASHER	06	
06	0503010834	1/2 X 1 BOLT	06	
07	0501110668	PULLEY SIDE ELEVATION	02	
08	0561019273	AXIS	02	
09	0521011132	FLAT WASHER	04	
10	0503016068	502030 SEAL RING	02	
11	0521062464	AXLE	02	
12	0561011330	AXIS	04	
13	0561011851	FLAT WASHER	04	
14	0503010073	3/8 X 3-1/2 COTTERPIN	04	
15	0521062483	AXIS 38,10 X 190	02	
16	0503012776	1/8" NF NIPPLE	12	
17	0503010002	1800 GREASE FITTING	16	
18	0511069598	GREASE TUBE	04	
19	0531011180	UPPER BODY CLIP	08	
20	0503010025	3/8" SPRING WASHER	08	
21	0503010237	3/8" X 1" BOLT	08	

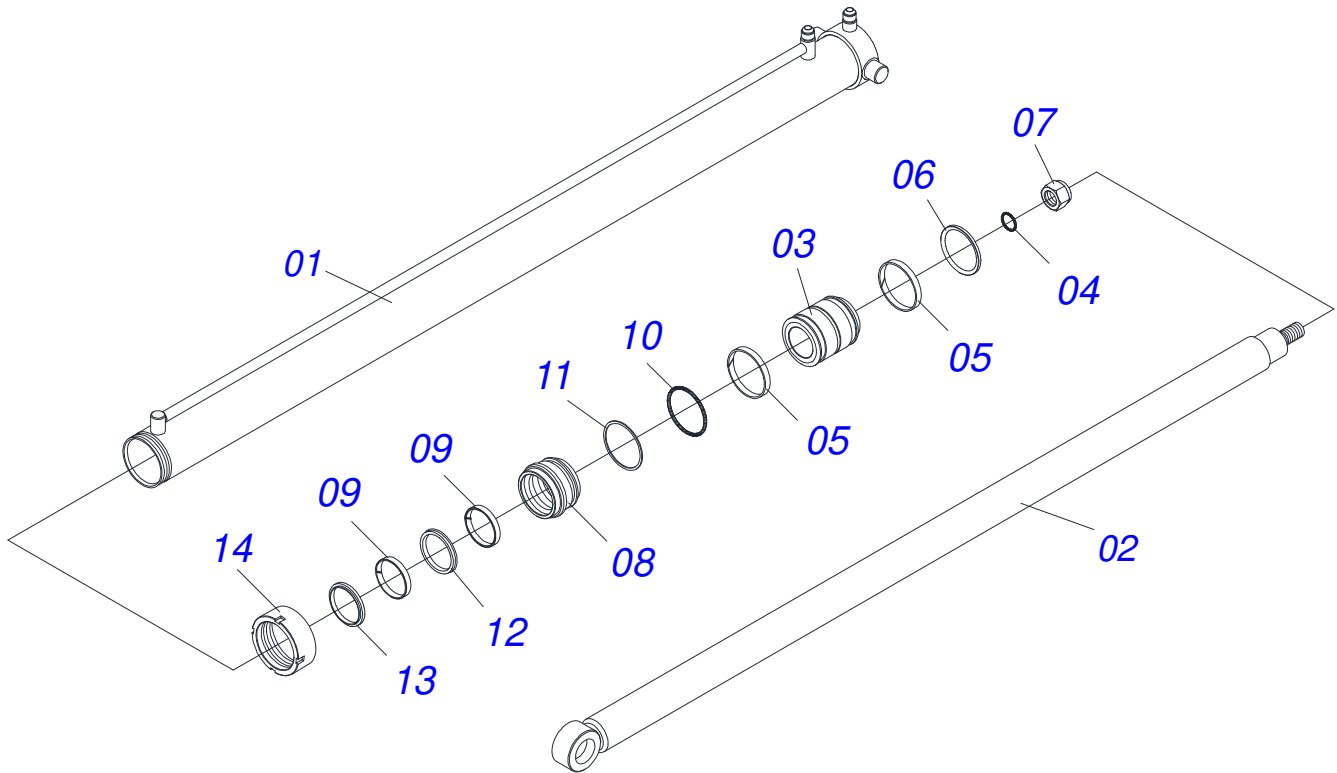


Item	Code	Description	See page	QT
01	0521060361	SKEP		01
02	0521062484	38,10MM X 160MM AXLE		02
03	0503010019	1/2" SPRING WASHER		02
04	0503010834	1/2 X 1 BOLT		02
05	0503010002	1800 GREASE FITTING		02
06	0511069194	COVER		01
07	0521010553	0.5" X 3" COUPLING SHAFT		02
08	0503010257	1/8" X 1" COTTERPIN		02
09	0503030168	HAIR PIN		01

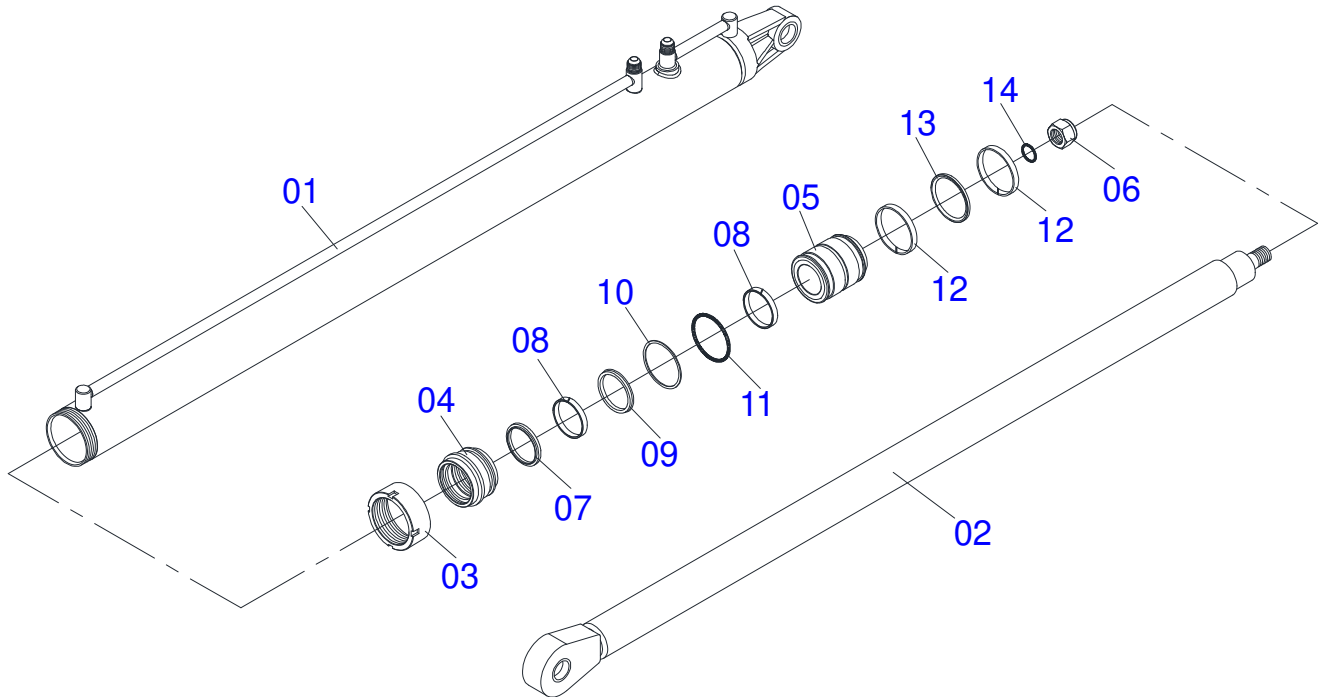


Item	Code	Description	See page	QT
01	0511045963	HYDRAULIC CYLINDER	16	02
02	0511049721	TILTING CYLINDER	17	02
03	0511068482	DUCT CONNECTION HYDRAULIC 4600		01
04	0511068481	DUCT CONNECTION HYDRAULIC 4600		06
05	0551014266	COVER FIXER TUBE		06
06	0501010096	3/8" X 2" BOLT		12
07	0503010025	3/8" SPRING WASHER		12
08	0501059638	HYDRAULIC VALVE EL/PN ASSY		01
08A	0541016753	NIPLE		02
08B	0503032386	HYDRAULIC VALVE EL/PN		01
08C	0541016752	1.1/4"X 1.1/16" UN X 11 NUT HEX		02
08D	0503011109	2-119 N 3006-9B O'RING		04
08E	0501010589	R. 1.1/16UN SEXT 1.1/4 X 52 NIPPLE		02
09	0503013534	ADAPTER T TEE		06
10	0541016751	NIPPLE		02
11	0561011869	R.1.1/16 UNF X 1/2 NPT X 75,5 NIPPLE		04
12	0561011868	7/8 NIPPLE		01
13	0551015623	7/8 NIPPLE		01
14	0551015159	NUT HEX X 38.1 R7 / 8 UNF		02
15	0501081235	1/2 X 650 TR- TC HOSE		02
16	0501080024	1/2" X 700 TR-TR HOSE		01
17	0501080103	1/2" X 47" TR-TR HOSE		01
18	0501081233	HOSE 1/2 X 3300 TM-TR		01
19	0501081366	TR-TC HOSE ASSY		02
20	0501080870	3/4 X 500 HOSE		04
21	0501081197	3/4 X 600 TR-TC HOSE		03
22	0501080219	HOSE 3/4 X 750 TR-TR		02
23	0501081314	3/4 X 800 TR-TC 1G138644 HOSE		01
24	0501080019	3/4 X 1000 TR-TC HOSE		02
25	0501080887	HOSE 3/4 X 3300 TM-TR		04
26	0501081490	3/4 X 4400 TR-TC 2T HOSE		01

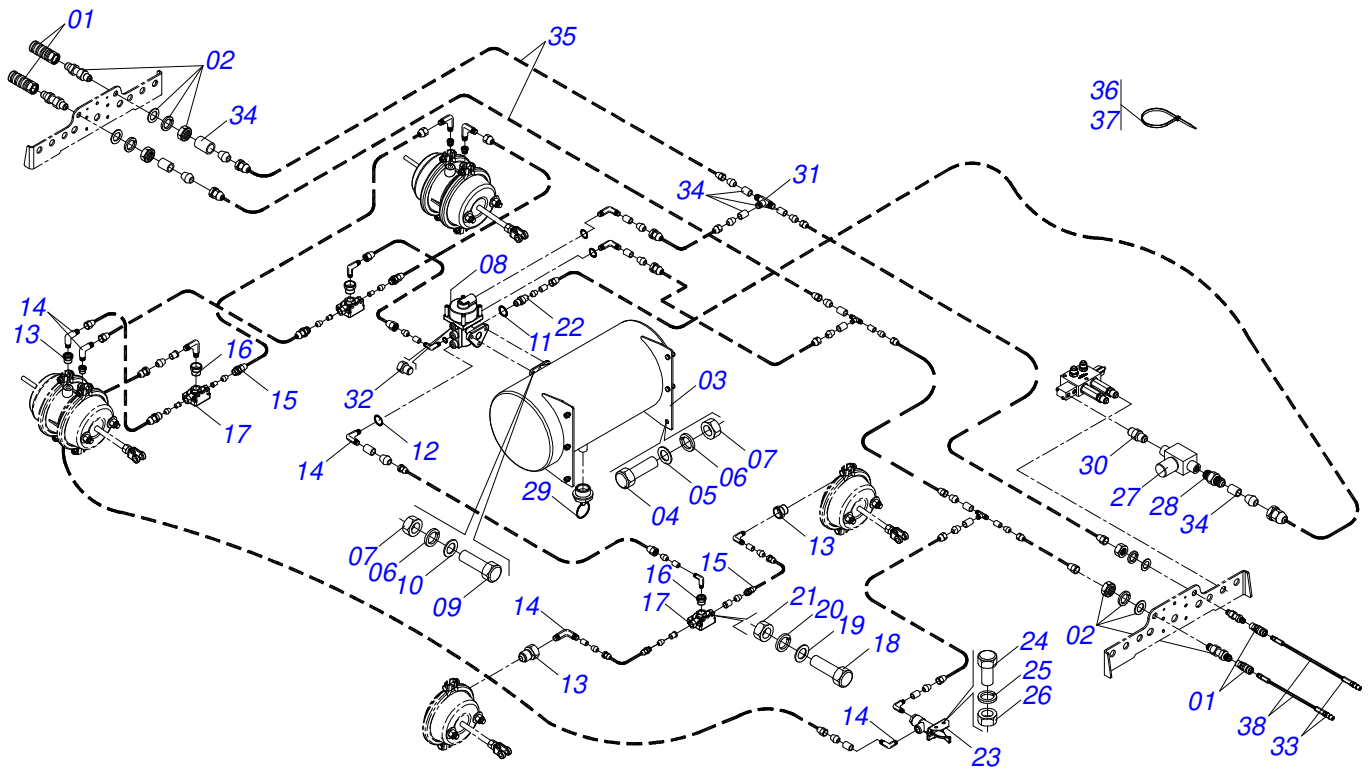
<b>Item</b>	<b>Code</b>	<b>Description</b>	<b>See page</b>	<b>QT</b>
27	0501081221	TR-TC HOSE ASSY		02
28	0501081687	TR-TC HOSE ASSY		01
29	0503014278	MP100 PLASTIC PROTECTION SPRING FOR 3/4 HOSE		02
30	0511044957	HYDRAULIC CYLINDER	7	02
31	0501053834	MALE QUICK COUPLER		05
32	0503013535	ADAPTER T TEE JIC 1.1/16		02



Item	Code	Description	See page	QT
01	0511068728	CYLINDER CASE LIFT		01
02	0511068729	ROD CILINDER ELEVATION		01
03	0551016446	101.6 X 63.5 PISTON		01
04	0503010345	2-218 N 3006-9B O'RING		01
05	0503010994	W2-4000-500 PK RING G.E		02
06	0503012725	GASKET		01
07	0503010817	1.1/4" SELF LOCKING NUT		01
08	0551016445	RING SUPPORT		01
09	0503013553	SEAL RING		02
10	0503010338	2-342 N 3006-9B O'RING		01
11	0503011061	8-342 BACK-UP RING		01
12	0503013552	GASKET		01
13	0503012642	D-3000 SCRAPER RING		01
14	0541019606	MOBILE COVER		01



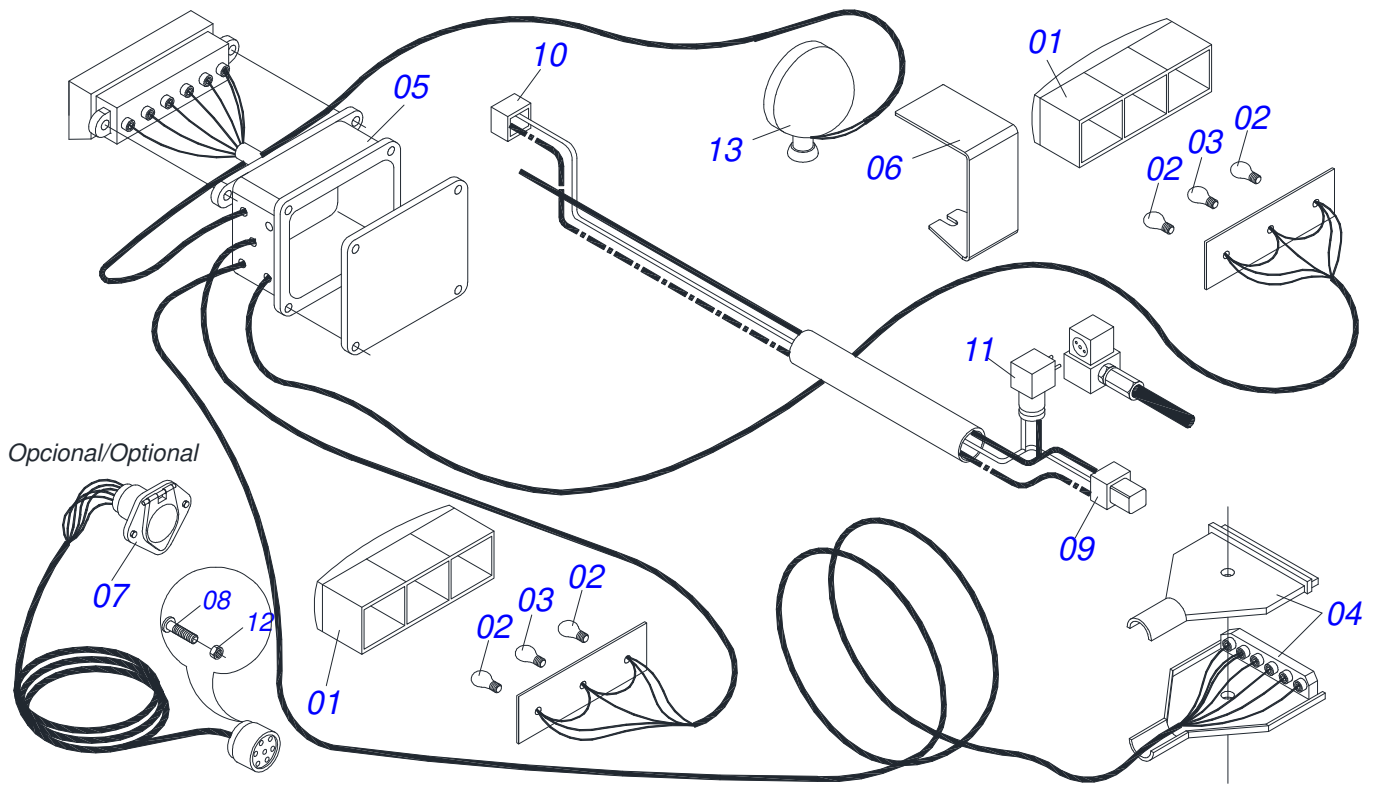
Item	Code	Description	See page	QT
01	0521062478	CYLINDER CASE		01
02	0521062477	ROD CILINDER ROCKER		01
03	0541019606	MOBILE COVER		01
04	0551016445	RING SUPPORT		01
05	0551016446	101.6 X 63.5 PISTON		01
06	0503010817	1.1/4" SELF LOCKING NUT		01
07	0503012642	D-3000 SCRAPER RING		01
08	0503013553	SEAL RING		02
09	0503013552	GASKET		01
10	0503011061	8-342 BACK-UP RING		01
11	0503010338	2-342 N 3006-9B O'RING		01
12	0503010994	W2-4000-500 PK RING G.E		02
13	0503012725	GASKET		01
14	0503010345	2-218 N 3006-9B O'RING		01
15	0501037860	HYDRAULIC CYLINDER REPAIR KIT 76,20 X 101,6		01



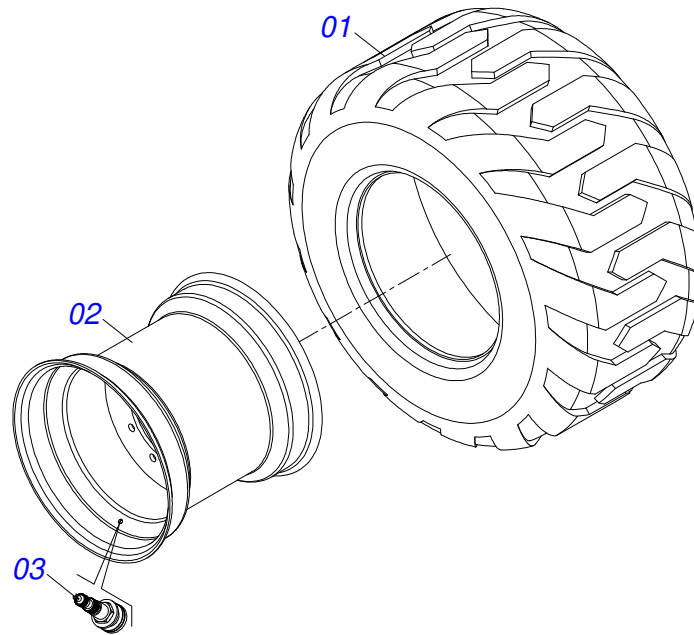
Item	Code	Description	See page	QT
01	0503014140	FEMALE QUICK COUPLER		04
02	0503014138	UNION ANTEP TUBE		04
03	0503033132	RESERVOIR AR 36L (CYLINDER)		01
04	0503010237	3/8" X 1" BOLT		06
05	0501010984	FLAT WASHER		06
06	0503010025	3/8" SPRING WASHER		09
07	0503010026	3/8" NUT		09
08	0503032389	VALVE		01
09	0503010751	C3/8" X 1.1/4" HEX BOLT G.5		03
10	0501013518	FLAT WASHER		03
11	0503013421	2-125 N O'RING		01
12	0503010605	O'RING		04
13	0503014037	REDUCTION		06
14	0503032307	CONNECT ELBOW		14
15	0503014216	MALE CONNECTOR		06
16	0503013481	REDUCTOR		03
17	0503014038	VALVE		03
18	0503010371	5/16" X 1" BOLT		06
19	0501010694	FLAT WASHER		06
20	0503010179	LOCK WASHER		06
21	0503010337	5/16" NUT		06
22	0503014213	MALE CONNECTOR		01
23	0503014039	VALVE DRIVE 1/4 9201001G37571		01
24	0503010282	1/4" X 3/4" BOLT		02
25	0503010143	1/4" SPRING WASHER		02
26	0503010144	1/4" NUT		02
27	0503032387	VALVE PN		01
28	0503014486	NIPLE		01
29	0503013523	VALVE		01
30	0503014117	MALE CONNECTOR		01
31	0503032301	CONNECTION		03



<b>Item</b>	<b>Code</b>	<b>Description</b>	<b>See page</b>	<b>QT</b>
32	0503013518	1/4" PLUG		01
33	0503013515	QUICK CONECTION		04
34	0503014002	ADAPTER		36
35	0503032835	1/2 TUBE		28
36	0503013527	CLAMP ZIPER		24
37	0503015056	NYLON CLAMP		15
38	0501081693	HOSE		02



Item	Code	Description	See page	QT
01	0503032811	FLASHLIGHT		02
02	0503032812	1141 12V LAMP		04
03	0503032813	67 12V 5W LAMP		02
04	0503032392	TAKE 6 POLES		01
05	0503014135	BOX ALUMINUM		01
06	0561018037	LIGHTHOUSE PROTECTION		01
07	0503014080	ELECTRIC CONNECTION		01
08	0503013165	SCREW DRIVER 3/16 X 1.1 / 4		03
09	0503013789	CONNECTOR 4V/1,5MM		01
10	0503013790	FEMALE CONNECTOR 4V/1,5MM		01
11	0503013566	PARKER PLUG		01
12	0503010667	3/16" NUT		03
13	0503032434	LIGHTHOUSE FROTLUZ		01



Item	Code	Description	See page	QT
01	0503015483	TIRE 600/50-22.5 TL T404 168A8		01
02	0503013045	WHEEL ASSY		01
03	0503013999	VALVE		01



**ANNOTATION**

Lined area for writing annotations, consisting of multiple horizontal lines.





# ***civemasa***

**Technical Publications | Elaboration and Revision**

ALESSANDRA PATRICIA KAWAHARA CARRILI

[www.civemasa.com.br](http://www.civemasa.com.br)

