

# **PARTS CATALOGUE**

## **OVERFLOW TRUCK**

### **TAC 12000**

**Code: 0501091703**



**Series: S-0612**

**Review: JULHO/2016**

**ORIGINAL PARTS  
CIVEMASA**

**civemasa**

# PRODUCTS

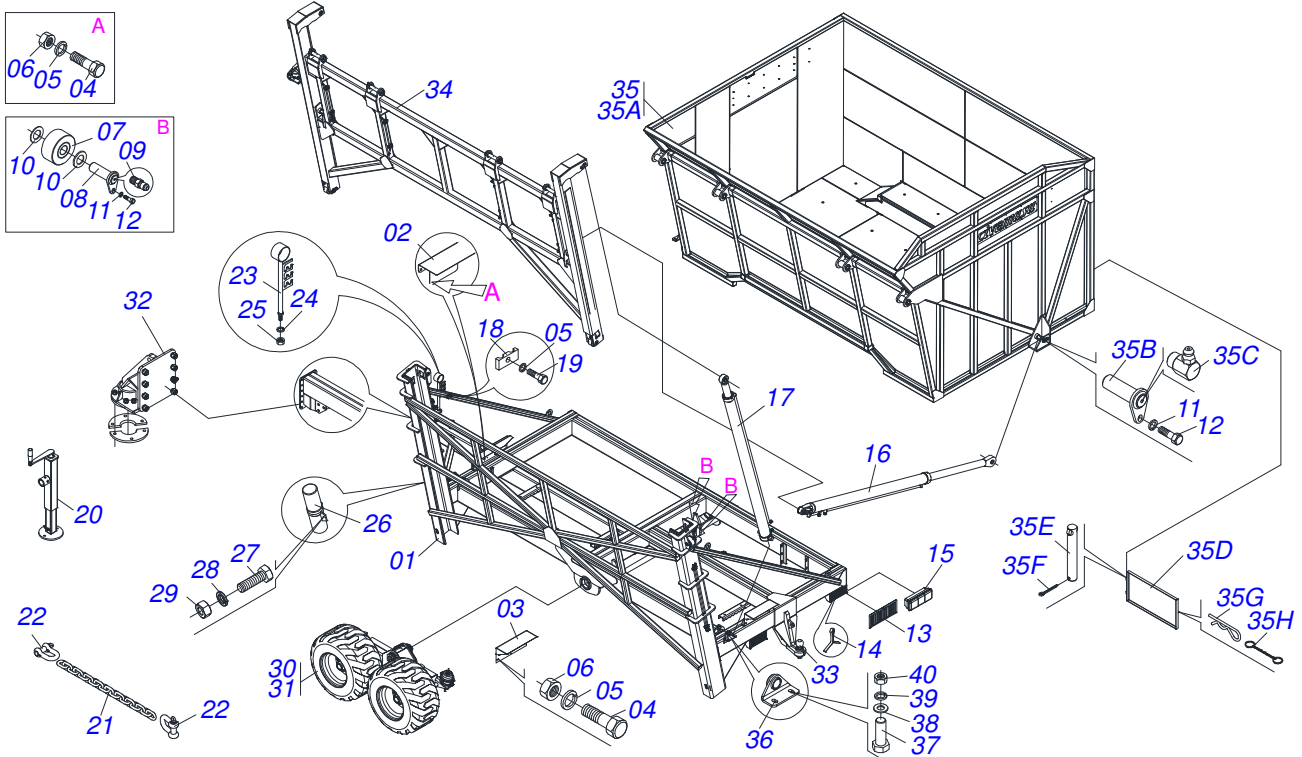
Code	Description
0120420327	TAC 12000 C 3,00 BOLA S-0612

## ATTENTION: **IMPORTANT**

CIVEMASA RESERVES THE RIGHT AT ANY TIME TO MAKE IMPROVEMENTS IN THE DESIGN, MATERIAL OR SPECIFICATIONS OF MACHINERY, EQUIPMENT OR PARTS WITHOUT THEREBY BECOMING LIABLE TO MAKE SIMILAR CHANGES IN MACHINERY, EQUIPMENT OR PARTS PREVIOUSLY SOLD.

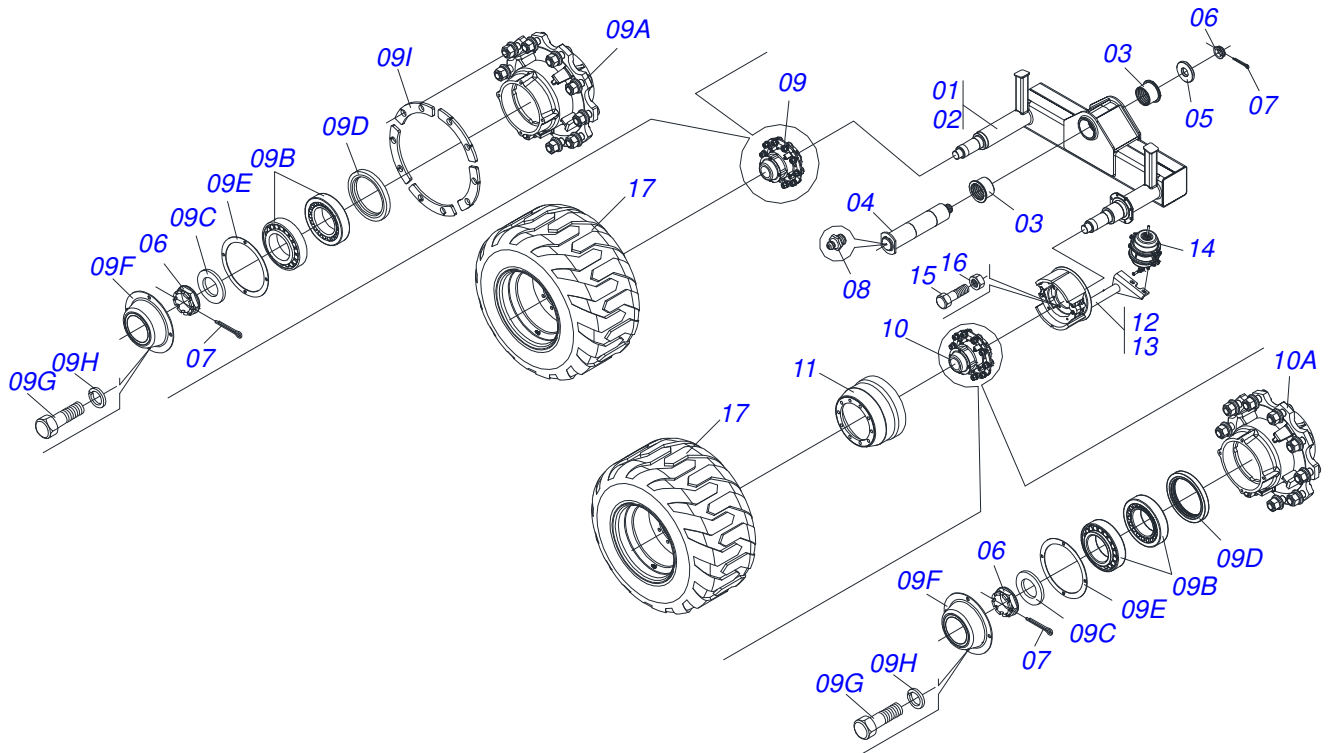
# INDEX

0909091846	CENTRAL FIXED HEADER	.....	1
0909091845	RIGHT / LEFT BELL CRANCK	.....	2
0909091962	HITCH	.....	3
0909091963	LIFT ASSY	.....	4
0511045963	HYDRAULIC CYLINDER	.....	5
0511049721	HYDRAULIC CYLINDER	.....	6
0909091964	SYSTEM LUBRICATION	.....	7
0501059628	PNEUMATIC SYSTEM	.....	8
0501059627	SISTEM ELECTRICAL	.....	9
0501059629	SYSTEM HYDRAULIC	.....	10

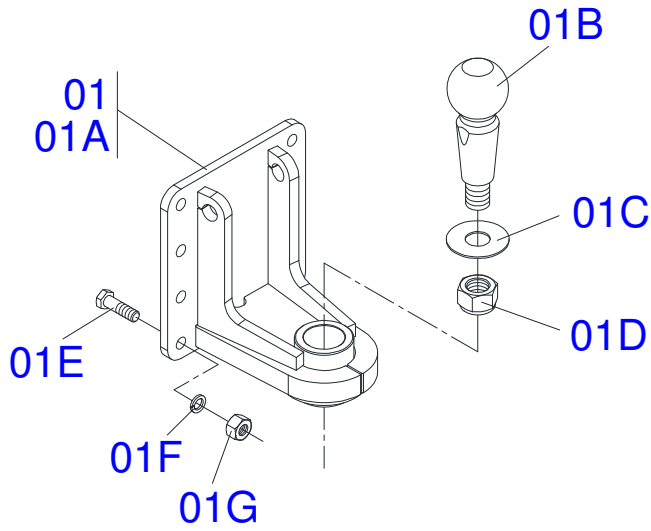


Item	Code	Description	QT
01	0521062993	FRAME TAC 12000	01
02	0561012738	PROTECTION VALVE	01
03	0561017662	PROTECTION PANEL REAR	01
04	0503010256	3/8" X 3/4" BOLT	04
05	0503010025	3/8 SPRING WASHER	06
06	0503010026	3/8" NUT	04
07	0501110526	LOWER PULLEY	04
08	0511067985	PIN UPPER PULLEY	04
09	0503012776	1/8" NF NIPPLE	04
10	0551014871	FLAT WASHER	08
11	0503010019	1/2" SPRING WASHER	06
12	0503010834	1/2 X 1 BOLT	06
13	0561014113	PROTECTION BOX HEADLIGHT	02
14	0503010257	1/8" X 1" COTTERPIN	02
15	0503032811	FLASHLIGHT	02
16	0511049721	HYDRAULIC CYLINDER	02
17	0511045963	HYDRAULIC CYLINDER	02
18	0502012623	UPPER BODY HOSE CLAMP 3/4	02
19	0503010849	3/8" X 1-1/2" BOLT	02
20	0511049567	DRAWBAR JACK	01
21	0503014120	CHAIN	01
22	0503014321	CABLE STEEL SHACKLE	02
23	0521061379	HOSE HOLDER	01
24	0503010023	SPRING WASHER	01
25	0503010014	3/4" NUT	01
26	0503060100	HAND BOOK COMPARTMENT	01
27	0503010371	5/16" X 1" BOLT	01
28	0503010179	SPRING WASHER	01
29	0503010337	5/16" NUT	01
30	0521040715	LEFT ROCKER ARM	01
31	0521040714	RIGHT ROCKER ARM	01
32	0511048316	HITCH BALL FRONT	01
33	0511048317	HITCH BALL REAR	01

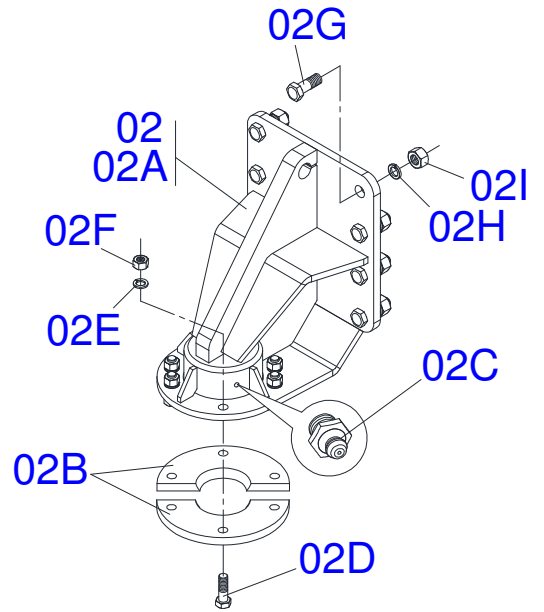
Item	Code	Description	QT
34	0511049723	LIFT ASSY	01
35	0521040710	BASKET	01
35A	0521062996	BASKET TAC 12000	01
35B	0521062484	38,10MM X 160MM AXLE	02
35C	0503010004	1890 GREASE FITTING	02
35D	0511069194	COVER	01
35E	0521010553	0.5" X 3" COUPLING SHAFT	02
35F	0503010257	1/8" X 1" COTTERPIN	02
35G	0503030168	HAIR PIN	01
35H	0503011423	RING CHAIN ??WITH CHAIN	01
36	0511068514	BEARING	02
37	0503010232	5/8" X 1.3/4" BOLT	04
38	0501012140	FLAT WASHER	04
39	0503010027	SPRING WASHER	04
40	0503010013	5/8" NUT	04



Item	Code	Description	ES	DI
01	0521062994	LEFT ROCKER ARM 12000 P 60/55-26,5	00	01
02	0521062995	RIGHT ROCKER ARM TAC 12000 P 60/55-26,5	01	00
03	0531016429	BUSHING	02	02
04	0521062517	PIVOT SHAFT	01	01
05	0551012036	FLAT WASHER	01	01
06	0502040080	2.1/2" UM FLANGE NUT	02	02
07	0503012213	1/4" X 4 COTTERPIN	02	02
08	0503010002	1800 GREASE FITTING	01	01
09	0511048127	WHEEL HUB	01	01
09A	0501110761	CARRYING WHEEL HUB ASSY	01	01
09B	0503010118	32218 ROLLER BEARING	02	02
09C	0531019986	FLAT WASHER	01	01
09D	0503013541	SEAL	01	01
09E	0503013548	CORK JOINT	01	01
09F	0503013549	HUB COVER	01	01
09G	0503013546	M10 X 1,5 X 20MM BOLT	04	04
09H	0503013542	M10 SPRING WASHER	04	04
09I	0561015521	FLANGE	05	05
10	0511045858	WHEEL HUB	01	01
10A	0501110771	CARRYING WHEEL HUB	01	01
11	0502020688	BRAKE DRUM	01	01
12	0503014053	BREAK	00	01
13	0503014052	BRAKE	01	00
14	0503014056	SPRING BRAKE TUBE	01	01
15	0503010232	5/8" X 1.3/4" BOLT	08	08
16	0503012412	HEX SELF ADJUSTING NUT 5/8 UNC S	08	08
17	0503062052	WHEEL AND TIRE	02	02

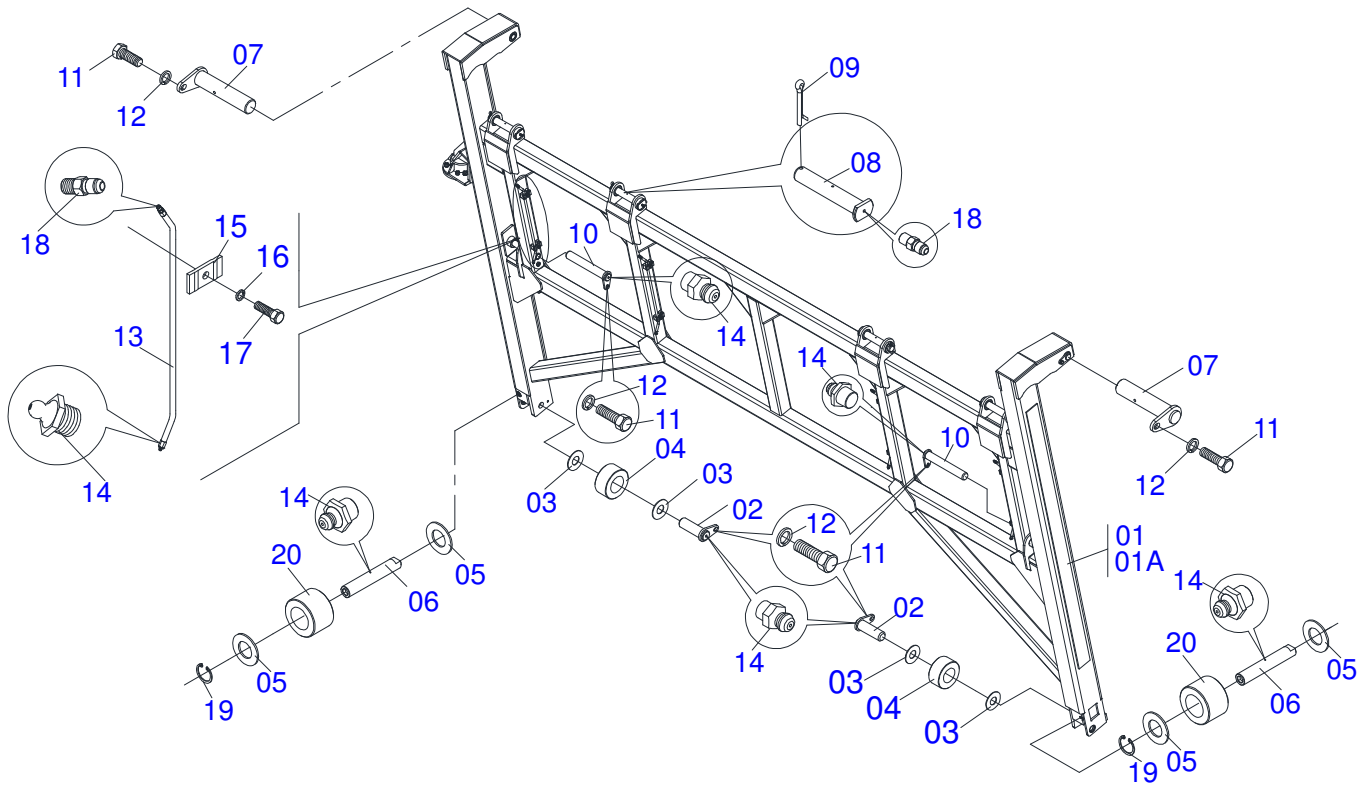


0511048317



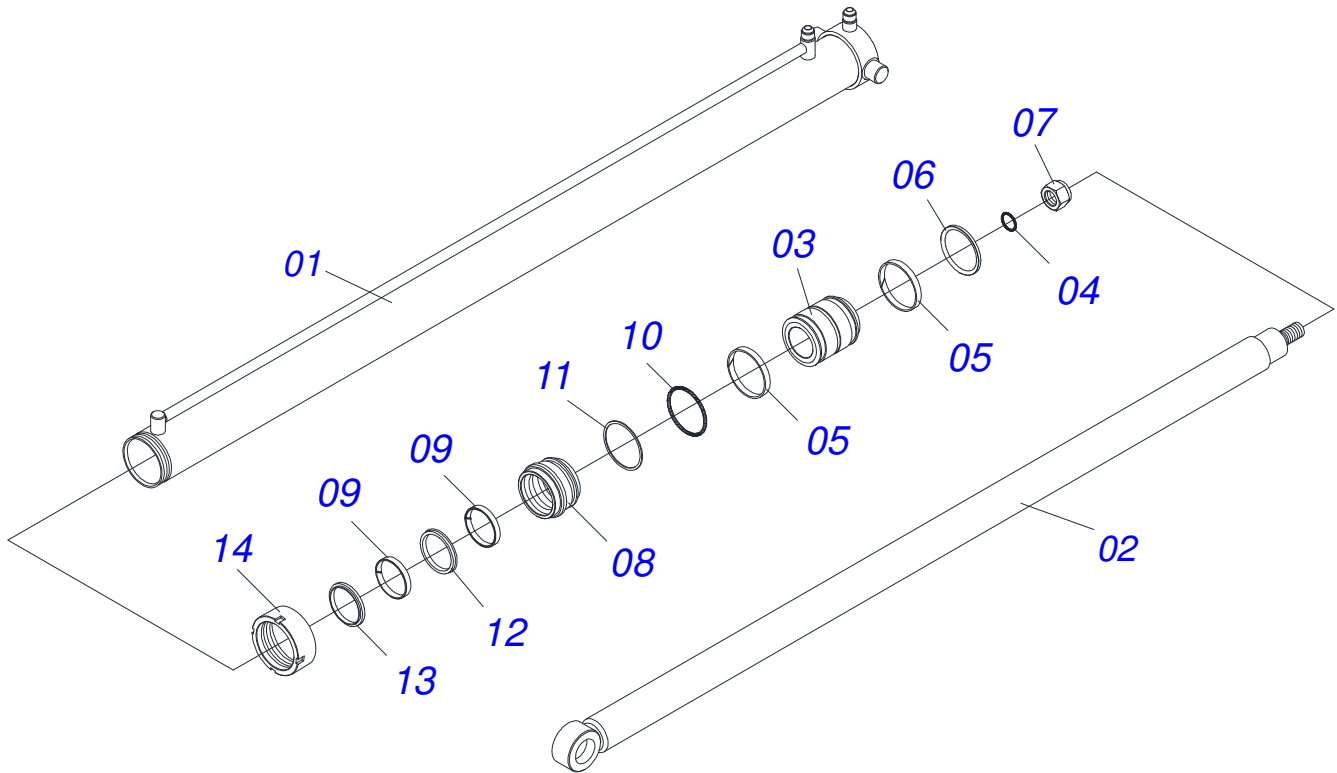
0511048316

Item	Code	Description	QT
01	0511048317	HITCH BALL REAR	01
01A	0521061361	HITCH BALL REAR	01
01B	0541015756	HITCH PIN MALE	01
01C	0521011721	1.6" X 3.94" X 0.12" WASHER	01
01D	0503010290	SELF ADJUSTING 1.1/2" UNF NUT	01
01E	0501010125	3/4" X 2-1/2" BOLT	08
01F	0503010023	SPRING WASHER	08
01G	0503010014	3/4" NUT	08
02	0511048316	HITCH BALL FRONT	01
02A	0521061354	HITCH BALL FRONT	01
02B	0551016939	FLANGE BI-LEAVING	02
02C	0503010002	1800 GREASE FITTING	01
02D	0501010100	5/8 UNC X 2 C S G.5 BOLT	06
02E	0503010027	SPRING WASHER	06
02F	0503010013	5/8" NUT	06
02G	0501010125	3/4" X 2-1/2" BOLT	08
02H	0503010023	SPRING WASHER	08
02I	0503010014	3/4" NUT	08

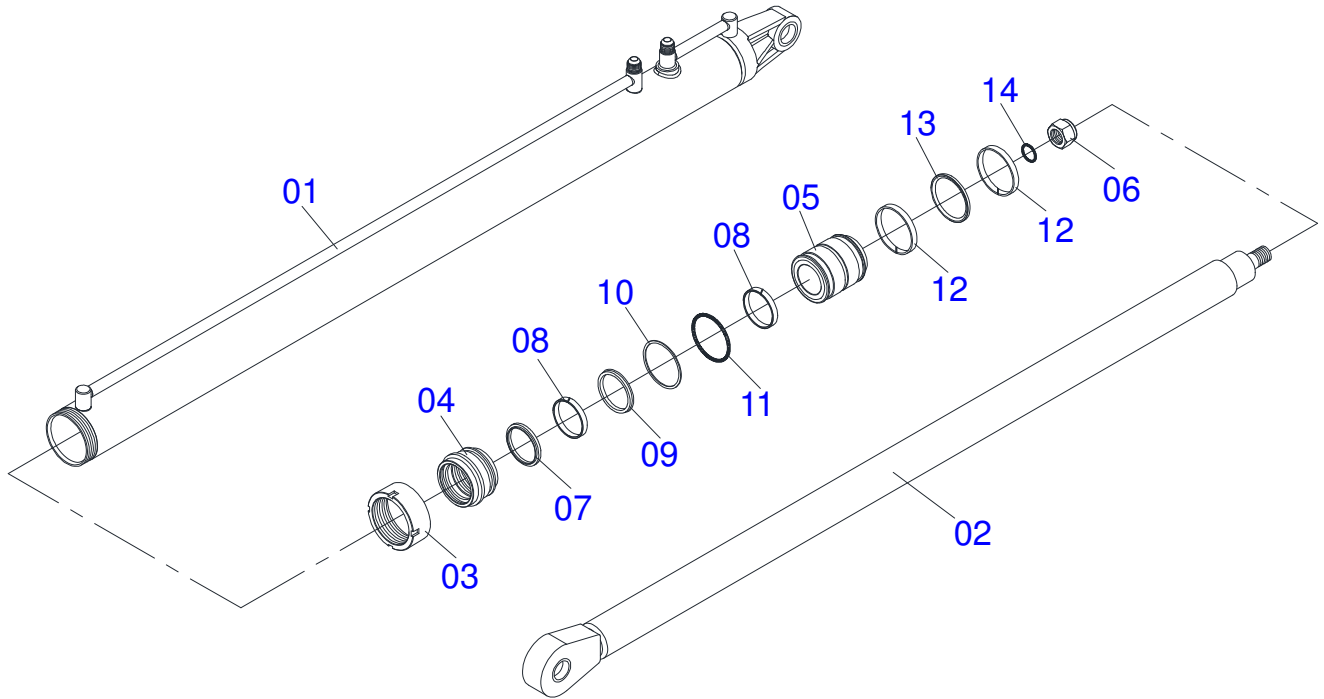


Item	Code	Description	QT
01	0511049723	LIFT ASSY	01
01A	0521062461	LIFT LOAD	01
02	0521060339	AXIS 38,10 X 150	02
03	0551014871	FLAT WASHER	04
04	0501110668	PULLEY SIDE ELEVATION	02
05	0521011132	FLAT WASHER	04
06	0561019273	AXIS ART ROLD ELEV LAT	02
07	0521062483	AXIS 38,10 X 190	02
08	0561011330	AXIS ART SKEP	04
09	0503010073	3/8 X 3-1/2 COTTERPIN	04
10	0521062464	AXLE ARTIC CIL BASIC	02
11	0503010834	1/2 X 1 BOLT	06
12	0503010019	1/2" SPRING WASHER	06
13	0511069598	GREASE TUBE	04
14	0503010002	1800 GREASE FITTING	08
15	0531011180	UPPER BODY CLIP	08
16	0503010025	3/8 SPRING WASHER	08
17	0503010237	3/8" X 1" BOLT	08
18	0503012776	1/8" NF NIPPLE	08
19	0503016068	502030 SEAL RING	02
20	0501110526	LOWER PULLEY	02

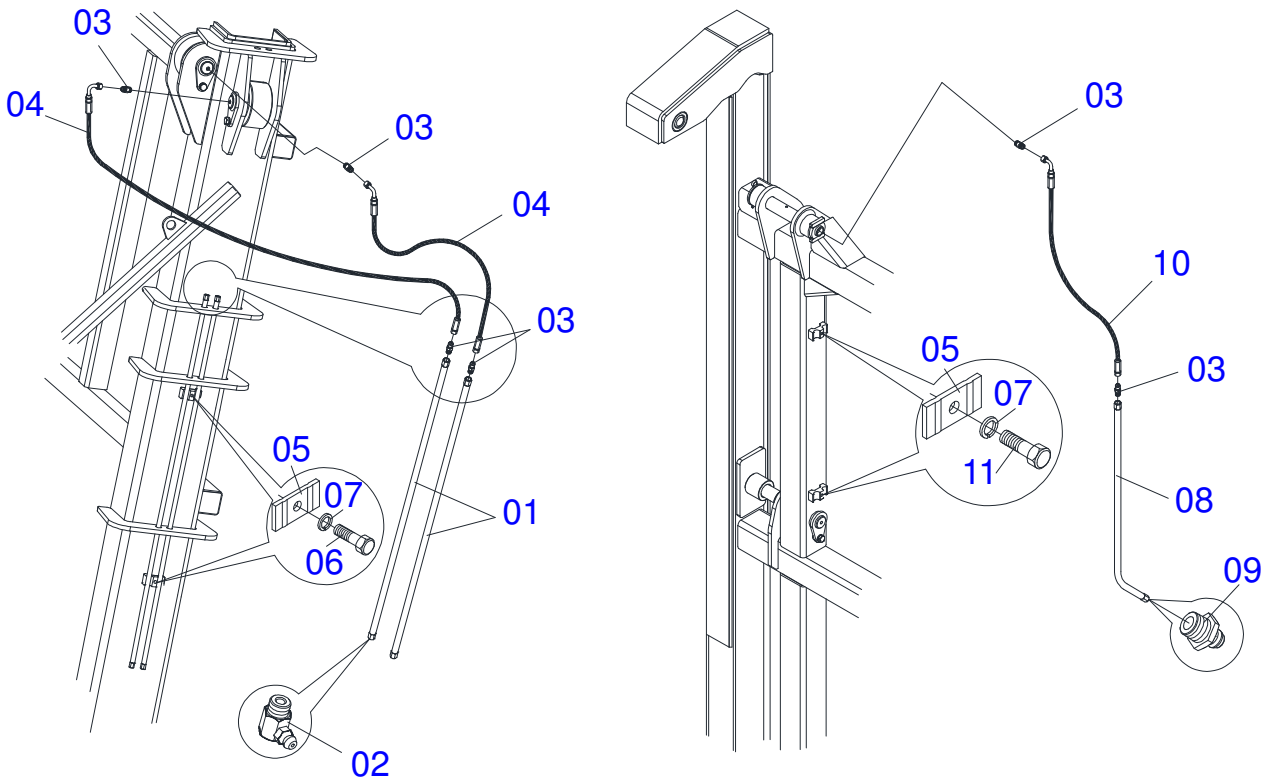




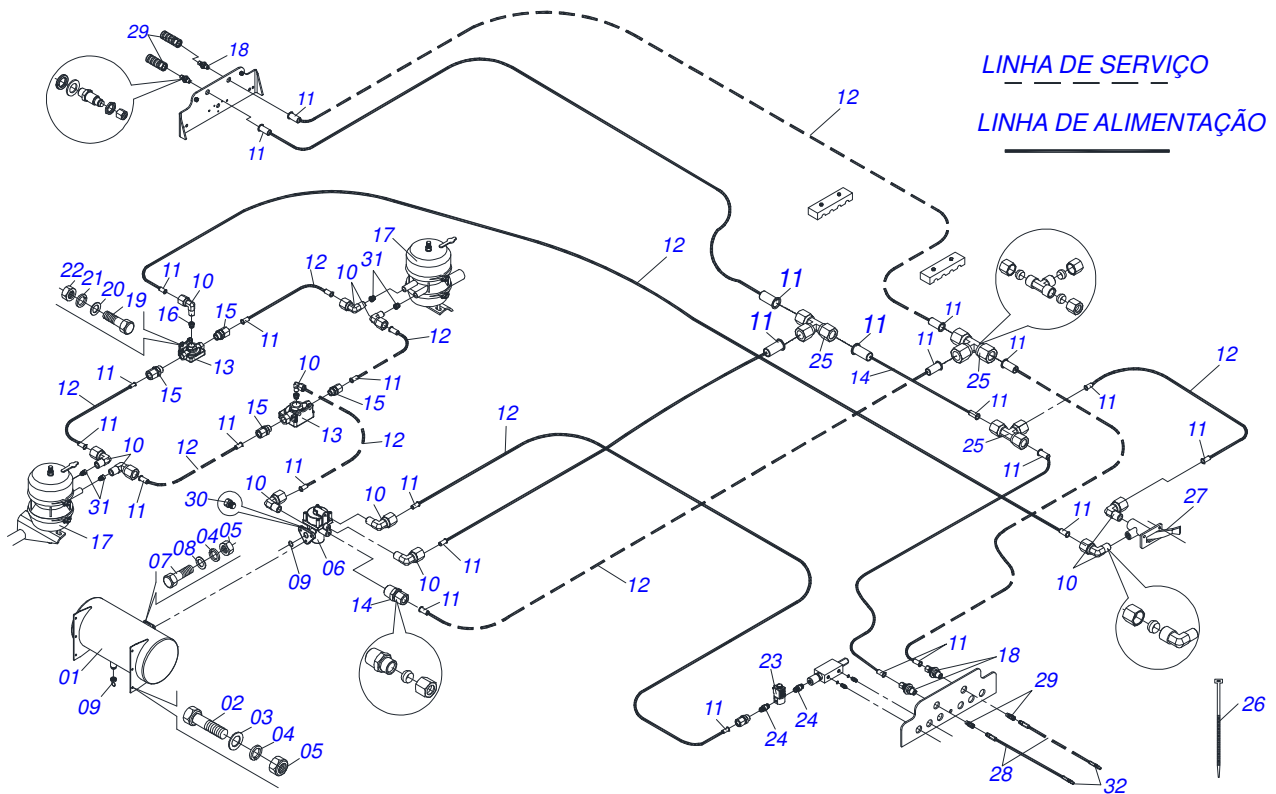
Item	Code	Description	QT
01	0511068728	CYLINDER CASE LIFT	01
02	0511068729	ROD CILINDER ELEVATION	01
03	0551016446	101.6 X 63.5 PISTON	01
04	0503010345	2-218 N 3006-9B O'RING	01
05	0503010994	W2-4000-500 PK RING G.E	02
06	0503012725	GASKET	01
07	0503010817	1-1/4" SELF-ADJUSTING NUT	01
08	0551016445	RING SUPPORT	01
09	0503013553	SEAL RING	02
10	0503010338	2-342 N 3006-9B O'RING	01
11	0503011061	8-342 BACK-UP RING	01
12	0503013552	GASKET	01
13	0503012642	D-3000 SCRAPER RING	01
14	0541019606	MOBILE COVER	01



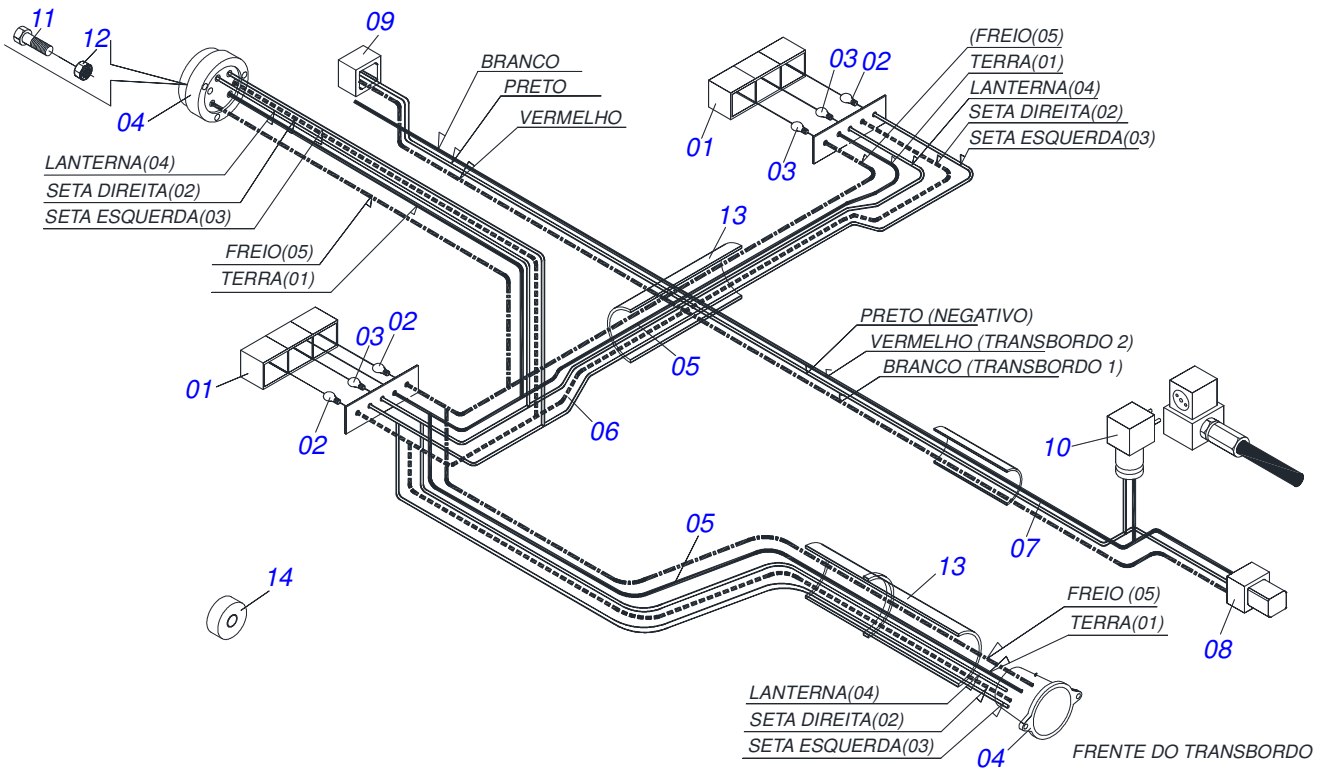
Item	Code	Description	QT
01	0521062478	CYLINDER CASE	01
02	0521062477	ROD CILINDER ROCKER	01
03	0541019606	MOBILE COVER	01
04	0551016445	RING SUPPORT	01
05	0551016446	101.6 X 63.5 PISTON	01
06	0503010817	1-1/4" SELF-ADJUSTING NUT	01
07	0503012642	D-3000 SCRAPER RING	01
08	0503013553	SEAL RING	02
09	0503013552	GASKET	01
10	0503011061	8-342 BACK-UP RING	01
11	0503010338	2-342 N 3006-9B O'RING	01
12	0503010994	W2-4000-500 PK RING G.E	02
13	0503012725	GASKET	01
14	0503010345	2-218 N 3006-9B O'RING	01



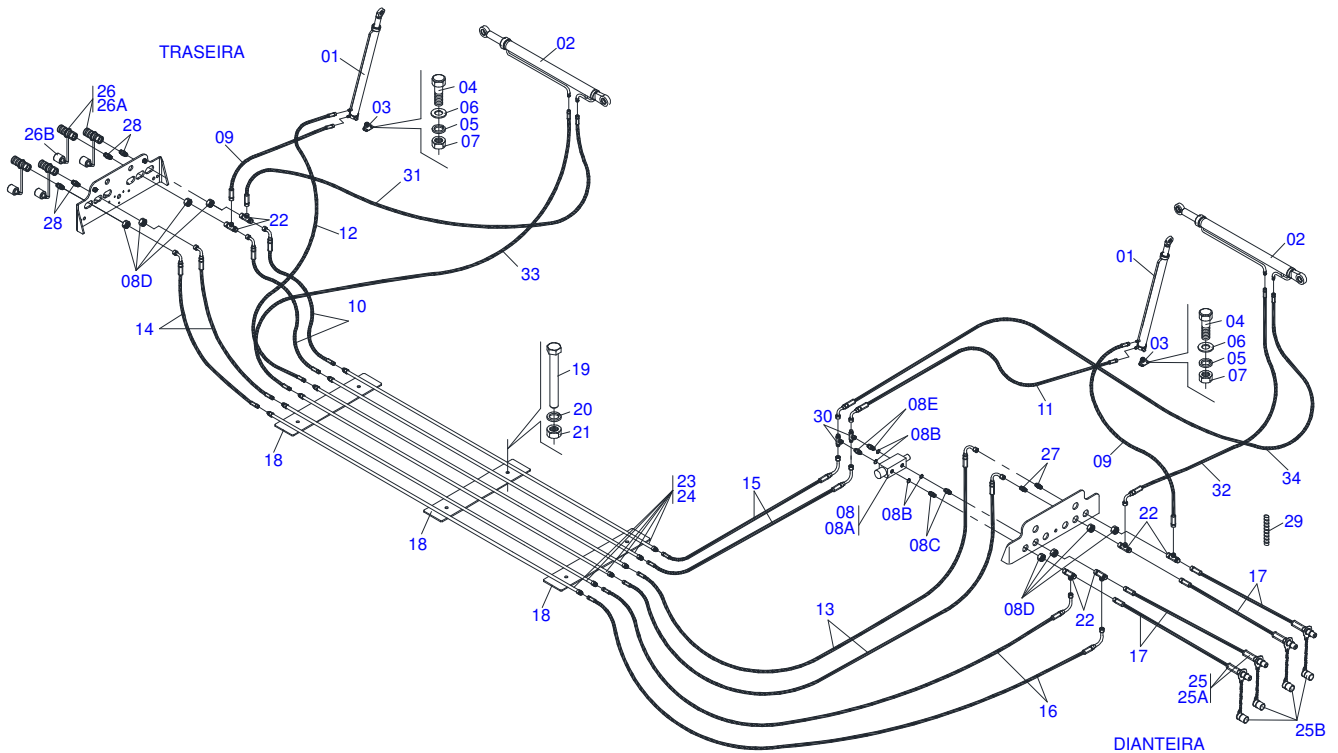
Item	Code	Description	QT
01	0511068779	GREASE TUBE GUIDE	04
02	0503010004	1890 GREASE FITTING	04
03	0503012776	1/8" NF NIPPLE	16
04	0501081157	1/4 X 600 HOSE	04
05	0531011180	UPPER BODY CLIP	12
06	0503010237	3/8" X 1" BOLT	04
07	0503010025	3/8 SPRING WASHER	12
08	0511069598	GREASE TUBE	04
09	0503010002	1800 GREASE FITTING	04
10	0501081289	1/4 X 400 TR-TC HOSE	04
11	0503010751	C3/8" X 1.1/4" HEX BOLT G.5	08



Item	Code	Description	QT
01	0503033132	RESERVOIR AR	01
02	0503010237	3/8" X 1" BOLT	06
03	0501010984	FLAT WASHER	06
04	0503010025	3/8 SPRING WASHER	06
05	0503010026	3/8" NUT	06
06	0503032389	VALVE	01
07	0503010751	C3/8" X 1.1/4" HEX BOLT G.5	03
08	0501013518	FLAT WASHER	03
09	0503013421	2-125 N O'RING	01
10	0503032307	CONNECT ELBOW	11
11	0503014002	ADAPTER	11
12	0503032835	1/2 TUBE	20
13	0503013523	VALVE	01
14	0503014213	MALE CONNECTOR	01
15	0503014216	MALE CONNECTOR	04
16	0503013481	REDUCTOR	02
17	0503014056	SPRING BRAKE TUBE	02
18	0503014138	UNION ANTEP TUBE	04
19	0503010371	5/16" X 1" BOLT	02
20	0501010694	FLAT WASHER	04
21	0503010179	SPRING WASHER	04
22	0503010337	5/16" NUT	04
23	0503032387	VALVE PN	02
24	0503014486	NIPLE	01
25	0503032301	CONNECTION	03
26	0503013527	CLAMP ZIPER	30
27	0503014039	VALVE DRIVE 1/4 9201001G37571	01
28	0501081275	1/2 X 3250 TM-TM HOSE	02
29	0503014140	FEMALE QUICK COUPLER	04
30	0503013518	1/4" PLUG	02
31	0503014037	REDUCTION	04
32	0503013515	QUICK CONECTION	02



Item	Code	Description	QT
01	0503032811	FLASHLIGHT	02
02	0503032812	1141 12V LAMP	04
03	0503032813	67 12V 5W LAMP	02
04	0503062399	ELECTRIC CONNECTION	01
05	0503013224	CABLE PP	12M
06	0503015497	CABLE PP	3M
07	0503014046	CABLE PP	11M
08	0503013789	CONNECTOR 4V/1,5MM	01
09	0503013790	FEMALE CONNECTOR 4V/1,5MM	01
10	0503013566	PARKER PLUG	01
11	0503013165	SCREW DRIVER 3/16 X 1.1 / 4	03
12	0503010667	3/16" NUT	03
13	3505151602	TUBE	0,4M
14	0503015498	INSULATING TAPE	05



Item	Code	Description	QT
01	0511045963	HYDRAULIC CYLINDER	02
02	0511049721	HYDRAULIC CYLINDER	02
03	0511068514	BEARING	02
04	0503010232	5/8" X 1.3/4" BOLT	04
05	0503010027	SPRING WASHER	04
06	0501012140	FLAT WASHER	04
07	0503010013	5/8" NUT	04
08	0501059638	HYDRAULIC VALVE EL/PN ASSY	01
08A	0503032386	HYDRAULIC VALVE EL/PN	01
08B	0503011109	2-119 N 3006-9B O'RING	04
08C	0541016753	NIPLE	02
08D	0541016752	1.1/4"X 1.1/16" UN X 11 NUT HEX	08
08E	0501010589	R. 1.1/16UN SEXT 1.1/4 X 52 NIPPLE	02
09	0501081478	3/4 X 400 TR-TR 2T HOSE	02
10	0501081479	3/4 X 650 TR-TC 2T HOSE	02
11	0501081480	3/4 X 600 TR-TC 2T HOSE	01
12	0501081481	3/4 X 800 TR-TR 2T HOSE	01
13	0501081482	3/4 X 900 TR-TC 2T HOSE	02
14	0501081483	3/4 X 1000 TR-TC 2T HOSE	02
15	0501081484	3/4 X 1100 TR-TC 2T	02
16	0501081485	3/4 X 1300 TR-TC 2T HOSE	02
17	0501081486	HOSE	04
18	0561011867	FIXER PLATE PIPING	02
19	0503011123	3/8" X 4-1/2" BOLT	02
20	0503010025	3/8 SPRING WASHER	04
21	0503010026	3/8" NUT	04
22	0503013534	ADAPTER T TEE	06
23	0511068699	TUBE COMMUNICATION	06
24	0551017115	TUBE	06
25	0501053834	QUICK CONECTION (MALE) 1/2	04
25A	0503011627	QUICK CONNECTION (MALE) AGR 1/2 NPT	04
25B	0503011882	QUICK CONNECTION COVER	04
26	0501053835	FEMALE QUICK COUPLER	04

Item	Code	Description	QT
26A	0503011628	FEMALE QUICK COUPLER	04
26B	0503011883	QUICK CONNECTION COVER	04
27	0541016751	NIPPLE	02
28	0561011869	R.1.1/16 UNF X 1/2 NPT X 75,5 NIPPLE	04
29	0503014278	SPRING	02MT
30	0503013535	ADAPTER T TEE JIC 1.1/16	02
31	0501081488	3/4 X 4000 TR-TR 2T HOSE	01
32	0501081487	3/4 X 4100 TR-TC 2T HOSE	01
33	0501081489	3/4 X 4000 TR-TR 2T HOSE	01
34	0501081490	3/4 X 4400 TR-TC 2T HOSE	01







email: [civemasa@civemasa.com.br](mailto:civemasa@civemasa.com.br)

[www.civemasa.com.br](http://www.civemasa.com.br)

Phone: +55 16.3382.8222

Fax: +55 16.3382.8355

## MARCHESAN IMPLEMENTOS E MÁQUINAS AGRÍCOLAS "TATU" S.A.

Av. Marchesan, 1979 - Post Office box, 131 - Cep 15994-900 - Matão - Sp - Brasil

CNPJ 52.311.289/0001-63 | Inst. Est.441.000.151.114

**Technical Publications: Elaboration**

MARINA PEREZ NIZA

**Technical Publications: Revision**

ALESSANDRA PATRICIA KAWAHARA CARRILI

Contact Catálogo:

E-mail = [jgaspari@marchesan.com.br](mailto:jgaspari@marchesan.com.br)

ORIGINAIS PARTS  
CIVEMASA

