

PARTS CATALOGUE

OVERFLOW TRUCK

TAC 21000

Code: 0501091701



Series: S-0915

Review: JULHO/2016

ORIGINAL PARTS
CIVEMASA

civemasa

PRODUCTS

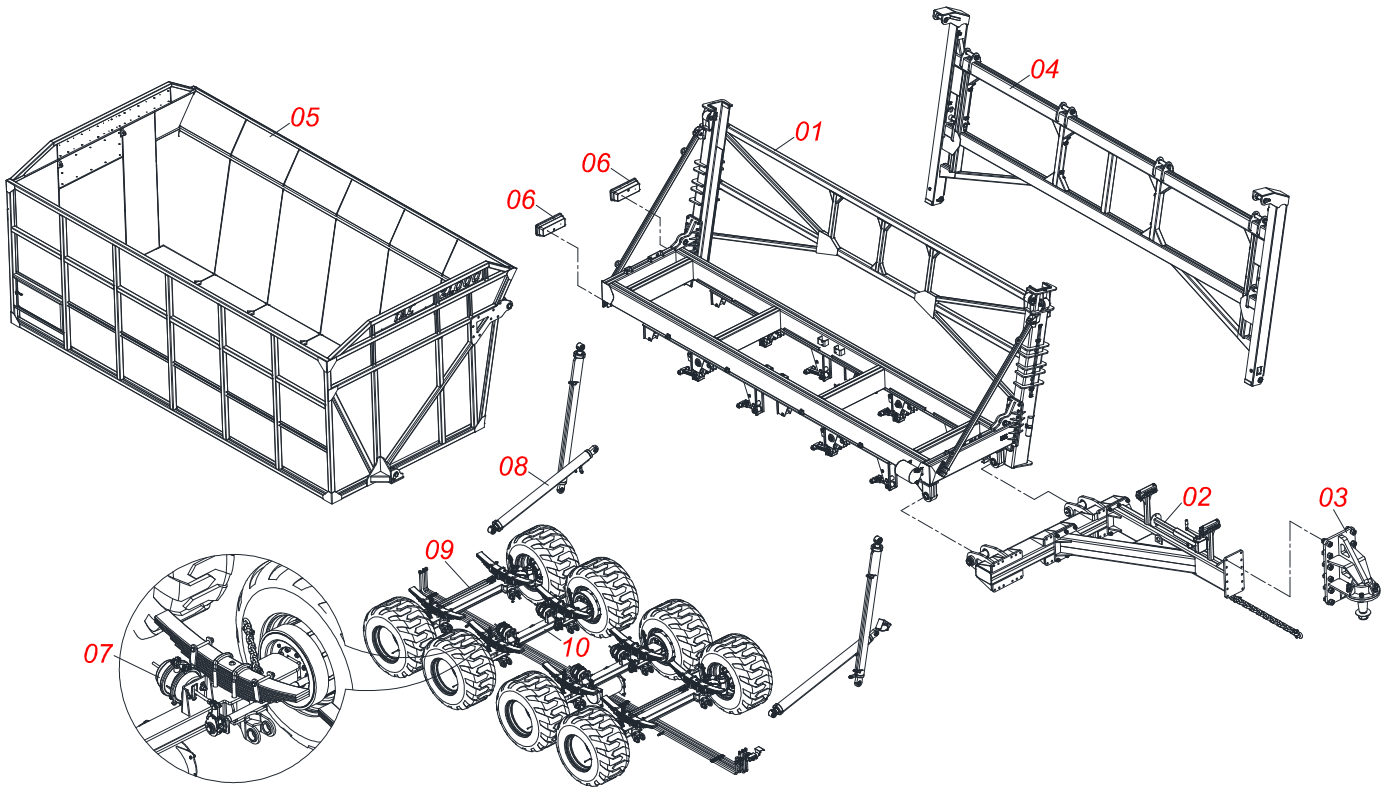
Code	Description
0120420346	TAC 21000 C/D 2,5/3,0 BOL SQDE S-0915

ATTENTION: **IMPORTANT**

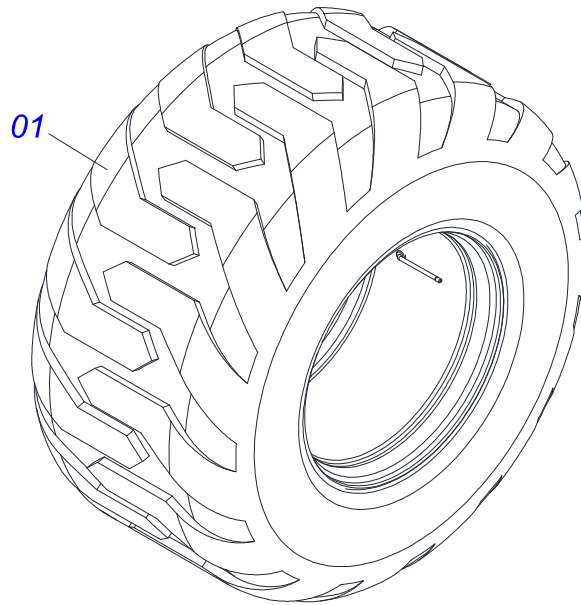
CIVEMASA RESERVES THE RIGHT AT ANY TIME TO MAKE IMPROVEMENTS IN THE DESIGN, MATERIAL OR SPECIFICATIONS OF MACHINERY, EQUIPMENT OR PARTS WITHOUT THEREBY BECOMING LIABLE TO MAKE SIMILAR CHANGES IN MACHINERY, EQUIPMENT OR PARTS PREVIOUSLY SOLD.

INDEX

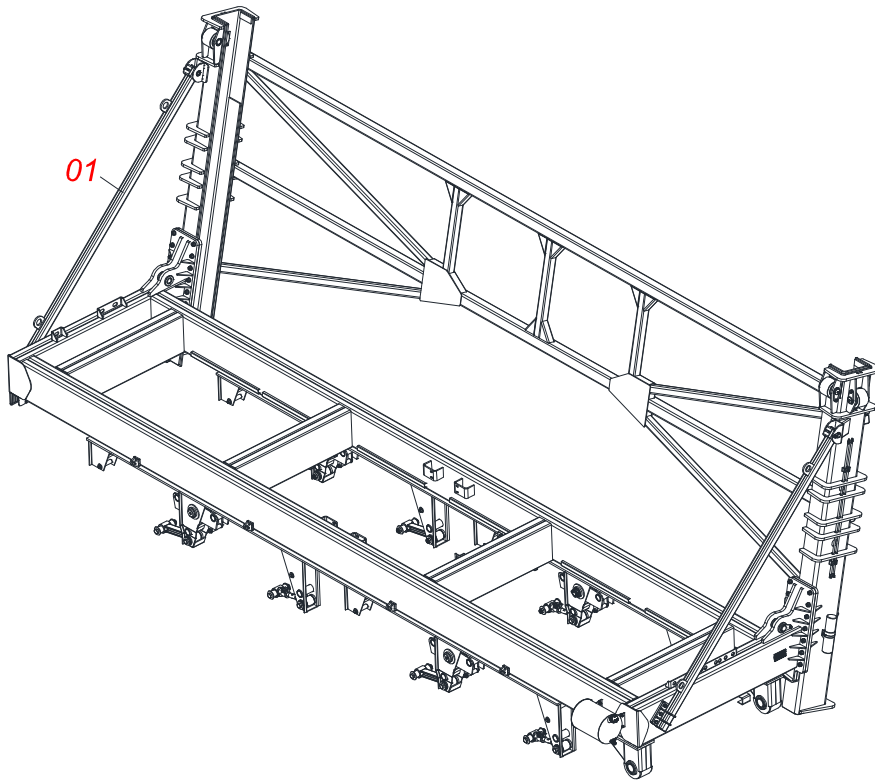
0521046010	FRAME ASSY	1
0503062282	WHEEL	2
0511058292	SEMIFINISHED FRAME	3
0511057407	SEMIFINISHED FRAME	4
0511057408	FRAME	5
0521044413	DRAWBAR ASSY	6
0511045699	DRAWBAR JACK	7
0521044412	HITCH FRONT BALL FULL	8
0521044397	COMPLETE ELEVATOR	9
0511057435	BASKET FULL	10
0521044424	COMPLETE FRONT AXLE	11
0501057001	AXLE LEFT SLEEVE MOUNTED	12
0501057000	AXLE RIGHT SLEEVE MOUNTED	13
0511058482	STABILIZER BAR	14
0521045167	HYDRAULIC CYLINDER	15
0521044425	COMPLETE REAR AXLE	16
0511045858	WHEEL HUB	17
0503062550	BEAM SPRING 09 BLADE	18
0503062549	BEAM SPRING 06 BLADE	19
0511055640	ELECTRICAL SYSTEM	20
0909091972	HYDRAULIC SYSTEM	21
0501053834	QUICK CONECTION (MALE) 1/2	22
0521045626	HYDRAULIC CYLINDER	23
0511057443	SET SAFETY VALVE	24
0521045625	HYDRAULIC CYLINDER	25
0909091973	LUBRICATION SYSTEM	26
0909091980	PNEUMATIC SYSTEM	27



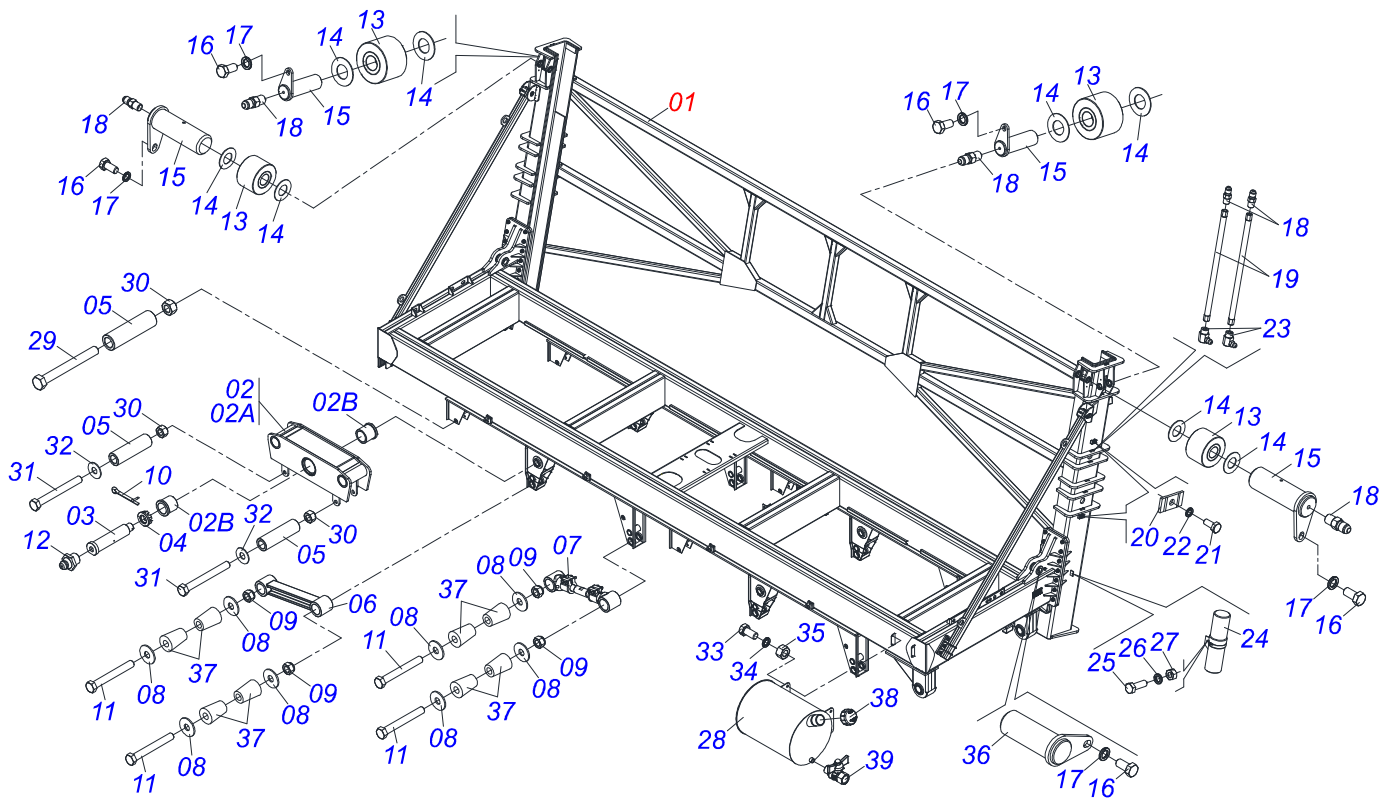
Item	Code	Description	QT
001	0511058292	SEMIFINISHED FRAME	01
002	0521044413	DRAWBAR ASSY	01
003	0521044412	HITCH FRONT BALL FULL	01
004	0521044397	COMPLETE ELEVATOR	01
005	0511057435	BASKET FULL	01
006	0511055640	ELECTRICAL SYSTEM	01
007	0511055641	PNEUMATIC SYSTEM	01
008	0511058293	SYSTEM HYDRAULIC	01
009	0521044424	COMPLETE FRONT AXLE	02
010	0521044425	COMPLETE REAR AXLE	02



Item	Code	Description	QT
01	0503062282	WHEEL	08

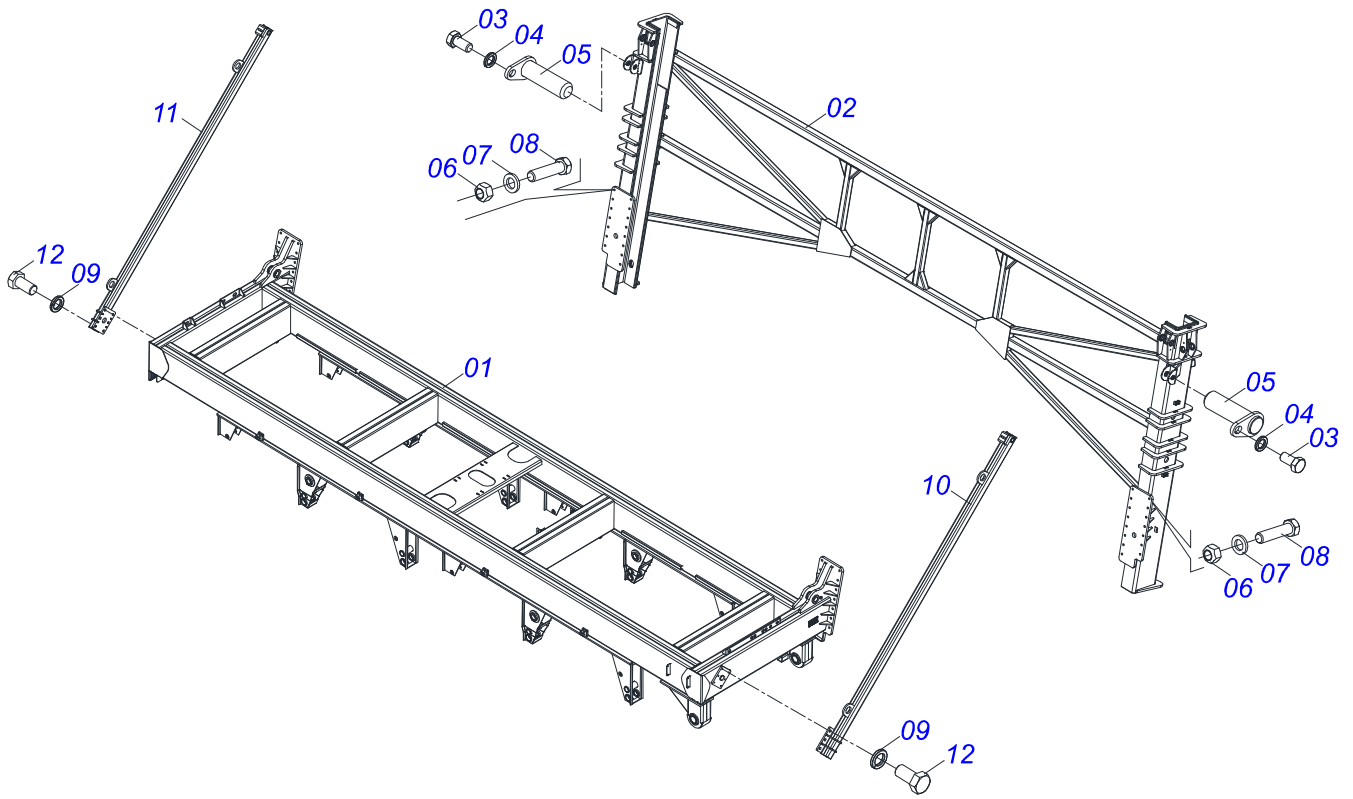


Item	Code	Description	QT
001	0511057407	SEMIFINISHED FRAME	01

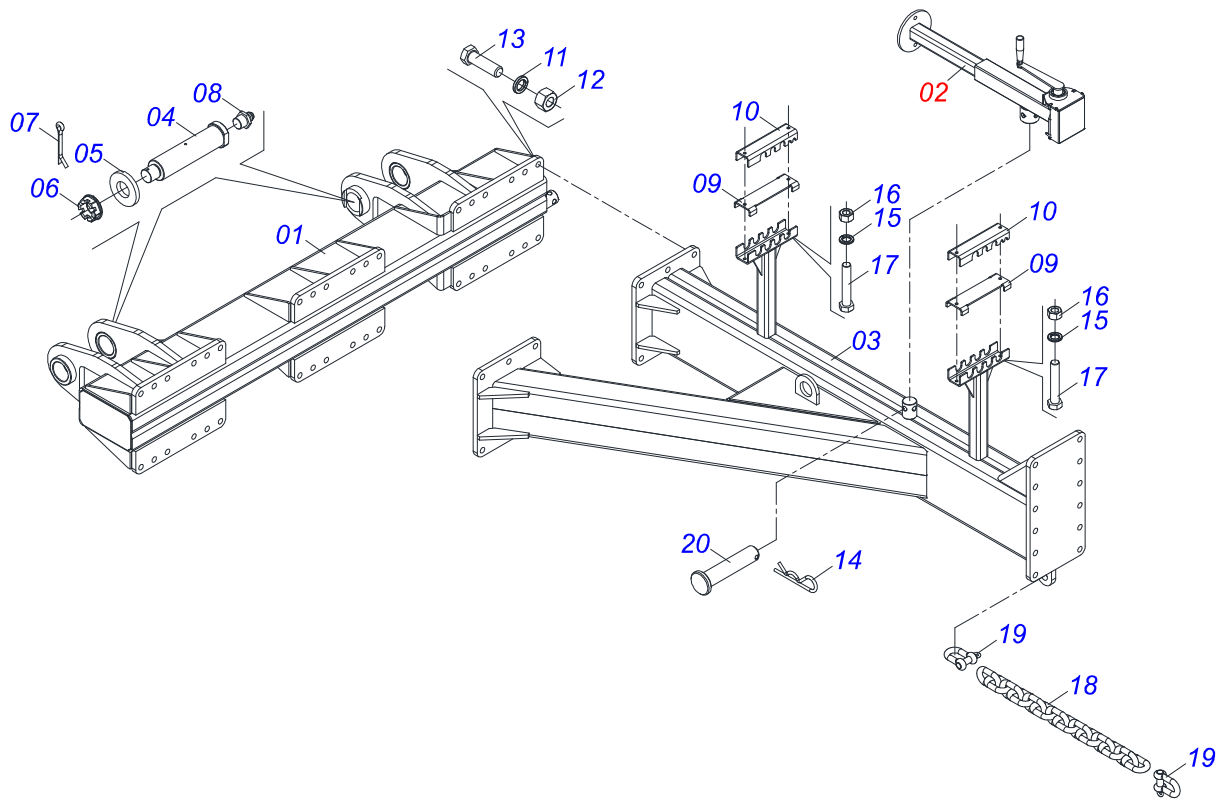


Item	Code	Description	QT
001	0511057408	FRAME	01
002	0501056983	BELL CRANK ASSY	04
002A	0511067378	BELL CRANK	01
002B	0541019980	SLEEVE	02
003	0551010073	AXIS ARTICULATOR	04
004	0501013243	1.1/2" CASTLE NUT	04
005	0541019992	SLEEVE	16
006	0502040594	STABILIZER ARM	04
007	0501056985	ADJUSTABLE STABILIZER	04
008	0541019930	FLAT WASHER	32
009	0503010229	M24 X 2" SELF ADJUSTING NUT	16
010	0503012231	1/4" X 3" COTTERPIN	04
011	0503014042	M24 X 2 X 190 BOLT	16
012	0503010002	1800 GREASE FITTING	04
013	0501110784	PULLEY	04
014	0571016249	FLAT WASHER	08
015	0521065008	50,8 X 152 AXLE	04
016	0503010834	1/2 X 1 BOLT	06
017	0503010019	1/2" SPRING WASHER	06
018	0503012776	1/8" NF NIPPLE	08
019	0511068779	GREASE TUBE GUIDE	04
020	0531011180	UPPER BODY CLIP	04
021	0503011338	7/16" X 1" BOLT	04
022	0503010180	7/16" SPRING WASHER	04
023	0503010004	1890 GREASE FITTING	04
024	0503060100	HAND BOOK COMPARTMENT	01
025	0503010371	5/16" X 1" BOLT	01
026	0503010179	SPRING WASHER	01
027	0503010337	5/16" NUT	01
028	0521062076	WATER TANK 15L INOX	01
029	0503010967	5/8" X 5.1/2" BOLT	08
030	0503012412	HEX SELF ADJUSTING NUT 5/8 UNC S	16
031	0503017389	5/8" X 5-1/4" BOLT	08

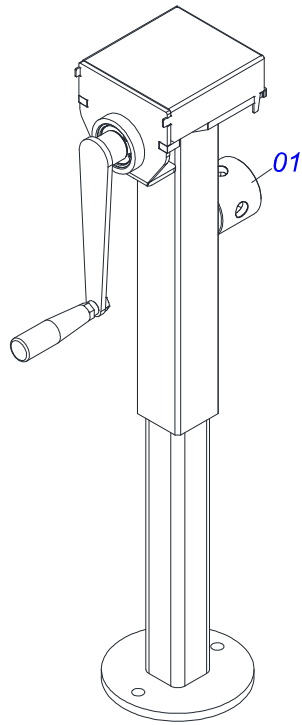
Item	Code	Description	QT
032	0571016296	FLAT WASHER	08
033	0503010237	3/8" X 1" BOLT	04
034	0503010025	3/8 SPRING WASHER	04
035	0503010026	3/8" NUT	04
036	0521066148	49,5 X 130 AXLE	02
037	0503013991	BUSHING CONICAL	32
038	0503013551	COVER TIGRE	01
039	0503013550	WATER TAP	01



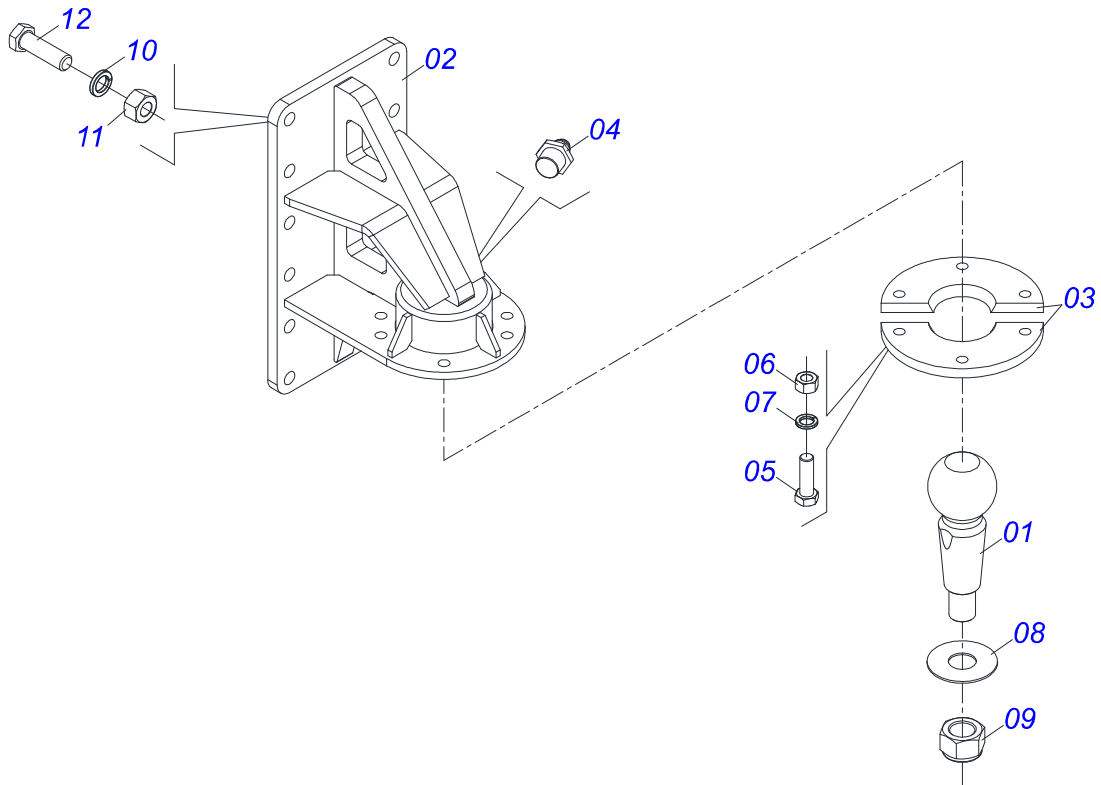
Item	Code	Description	QT
001	0521066127	FRAME BASE	01
002	0521066128	FRAME	01
003	0503010834	1/2 X 1 BOLT	02
004	0503010019	1/2" SPRING WASHER	02
005	0521065778	AXLE	02
006	0503011255	3/4" LOCK NUT	30
007	0503010023	SPRING WASHER	30
008	0501010500	3/4"X3"BOLT	30
009	0503010027	SPRING WASHER	12
010	0521066146	ATTACHMENT BAR	01
011	0521066147	ATTACHMENT BAR	01
012	0503013027	5/8" X 1-1/4" BOLT	12



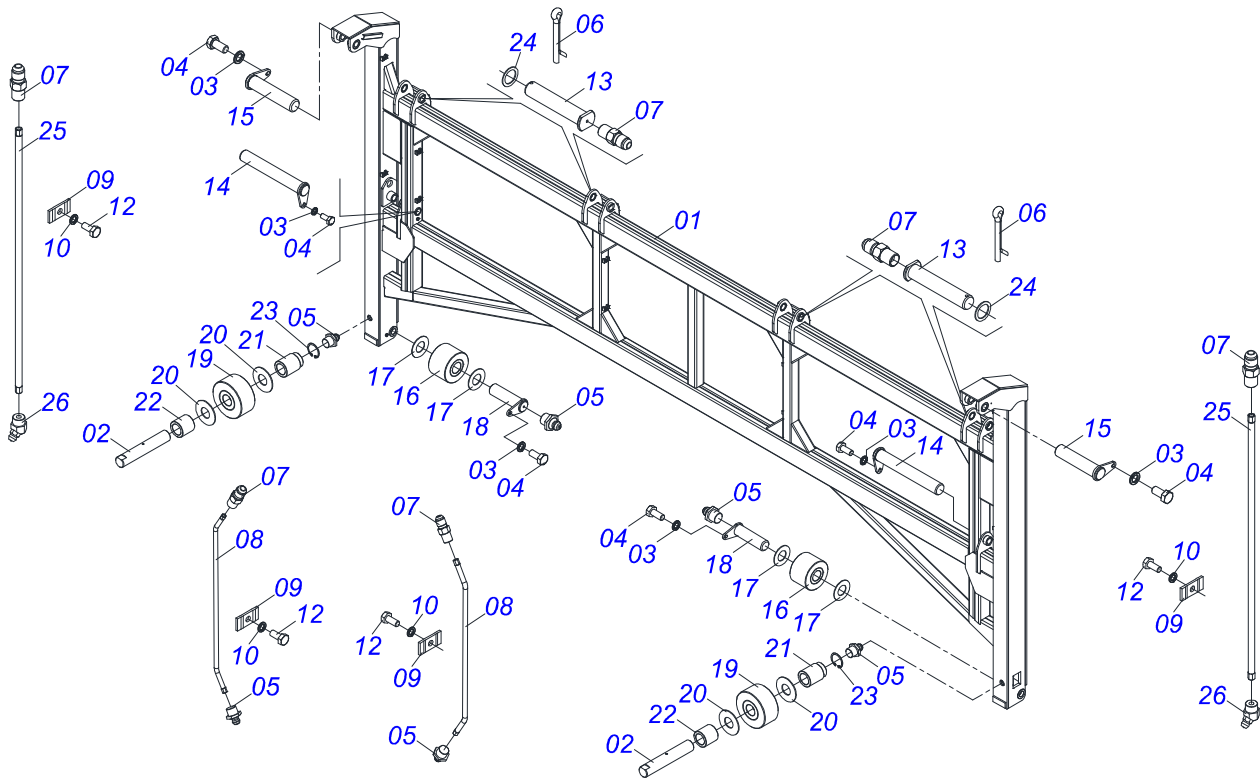
Item	Code	Description	QT
001	0521065032	DRAWBAR DISPLACED	01
002	0511045699	DRAWBAR JACK	01
003	0521065031	DRAWBAR PIVOT	01
004	0571016479	ARTICULATED HEAD AXIS	02
005	0571016480	FLAT WASHER	02
006	0501010888	1.3/4" 2.5/16" CASTLE NUT	02
007	0503012231	1/4" X 3" COTTERPIN	02
008	0503010002	1800 GREASE FITTING	02
009	0551014239	FIXER LOCK HOSE	02
010	0571016482	FIXER HOSE	02
011	0503010023	SPRING WASHER	12
012	0503010014	3/4" NUT	12
013	0501010125	3/4" X 2-1/2" BOLT	12
014	0503030168	HAIR PIN	01
015	0503010025	3/8 SPRING WASHER	04
016	0503010026	3/8" NUT	04
017	0503010481	BOLT	04
018	0503014120	CHAIN	01
019	0503014321	CABLE STEEL SHACKLE	02
020	0541011345	16 X 68 PLUGER	01



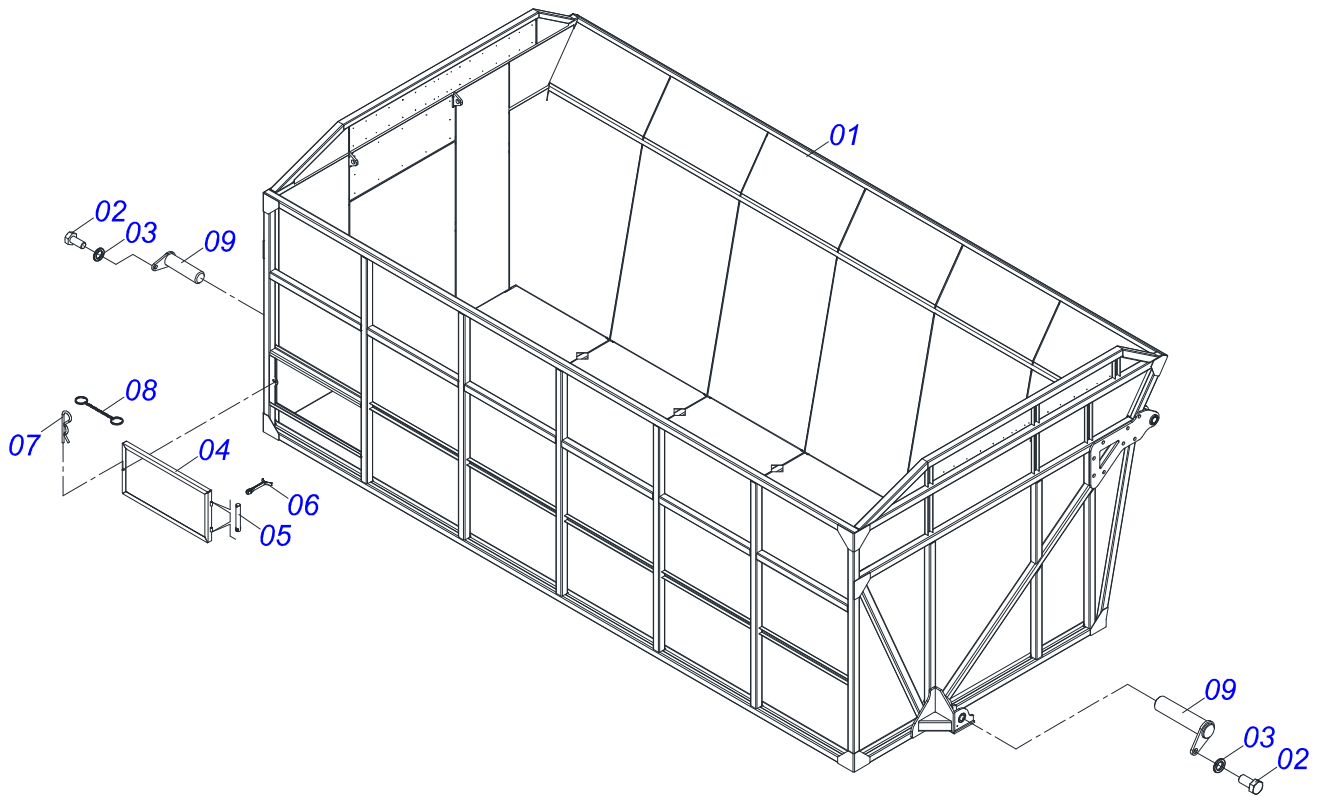
Item	Code	Description	QT
001	0503062228	HEADER JACK	01



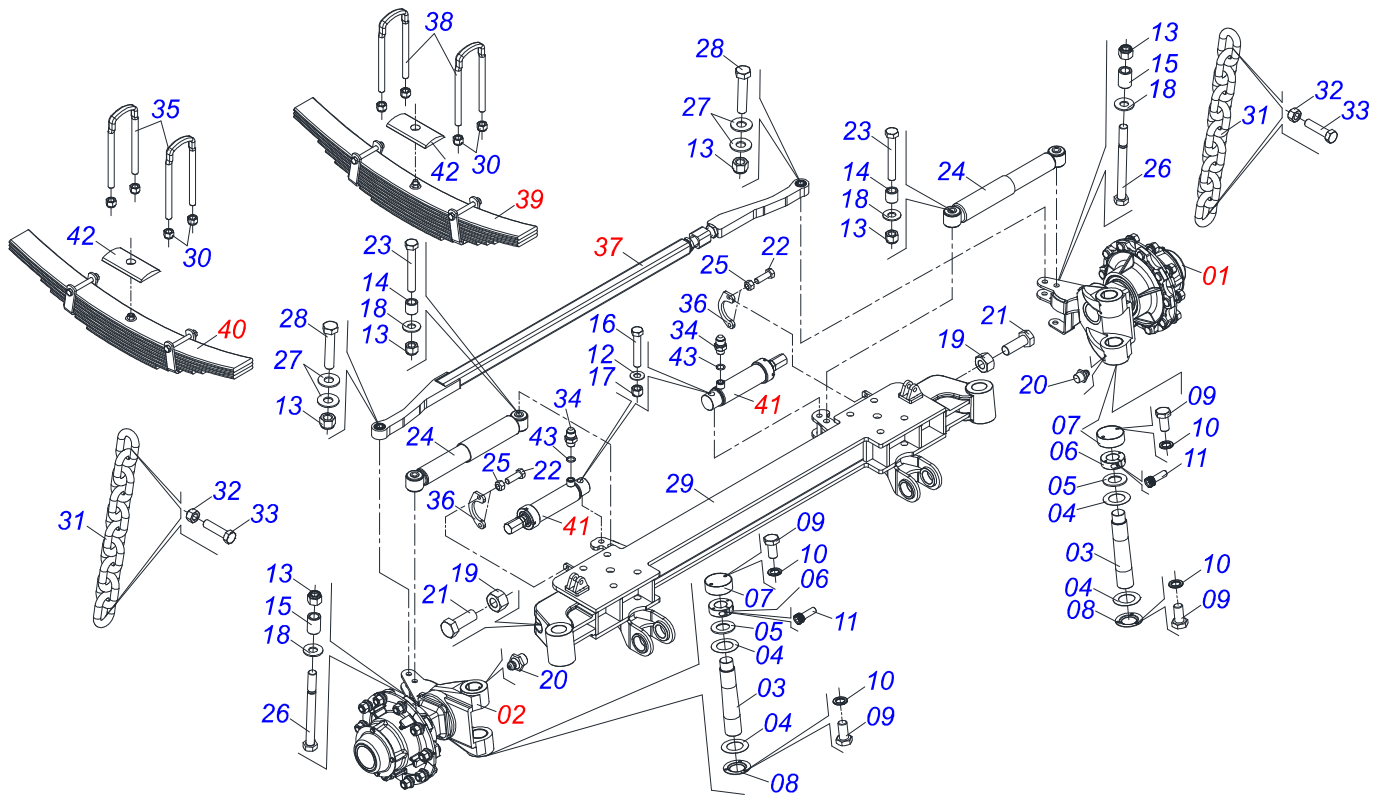
Item	Code	Description	QT
001	0541015756	HITCH PIN MALE	01
002	0521065033	HITCH BALL REAR	01
003	0551016939	FLANGE BI-LEAVING	02
004	0503010002	1800 GREASE FITTING	01
005	0501010100	5/8 UNC X 2 C S G.5 BOLT	06
006	0503010013	5/8" NUT	06
007	0503010027	SPRING WASHER	06
008	0521011721	1.6" X 3.94" X 0.12" WASHER	01
009	0503010290	SELF ADJUSTING 1.1/2" UNF NUT	01
010	0503010023	SPRING WASHER	12
011	0503010014	3/4" NUT	12
012	0501010125	3/4" X 2-1/2" BOLT	12



Item	Code	Description	QT
001	0521066130	FRAME	01
002	0571016250	AXLE WHEEL	02
003	0503010019	1/2" SPRING WASHER	06
004	0503010834	1/2 X 1 BOLT	06
005	0503010002	1800 GREASE FITTING	08
006	0503010073	3/8 X 3-1/2 COTTERPIN	04
007	0503012776	1/8" NF NIPPLE	10
008	0511069598	GREASE TUBE	04
009	0531011180	UPPER BODY CLIP	12
010	0503010025	3/8 SPRING WASHER	12
011	0503010003	1845 GREASE FITTING	02
012	0503010237	3/8" X 1" BOLT	12
013	0571016251	PIVOT SHAFT	04
014	0521066132	49,5 X 345 AXLE	02
015	0521066131	50,8 X 216 AXLE	02
016	0501110784	PULLEY	02
017	0571016249	FLAT WASHER	08
018	0521064988	50,8 X 175 AXLE	02
019	0501110526	LOWER PULLEY	02
020	0551014871	FLAT WASHER	04
021	0571016255	SLEEVE	02
022	0571016257	SLEEVE	02
023	0503010390	SEAL RING	02
024	0571016252	FLAT WASHER	04
025	0521066129	TUBE	02

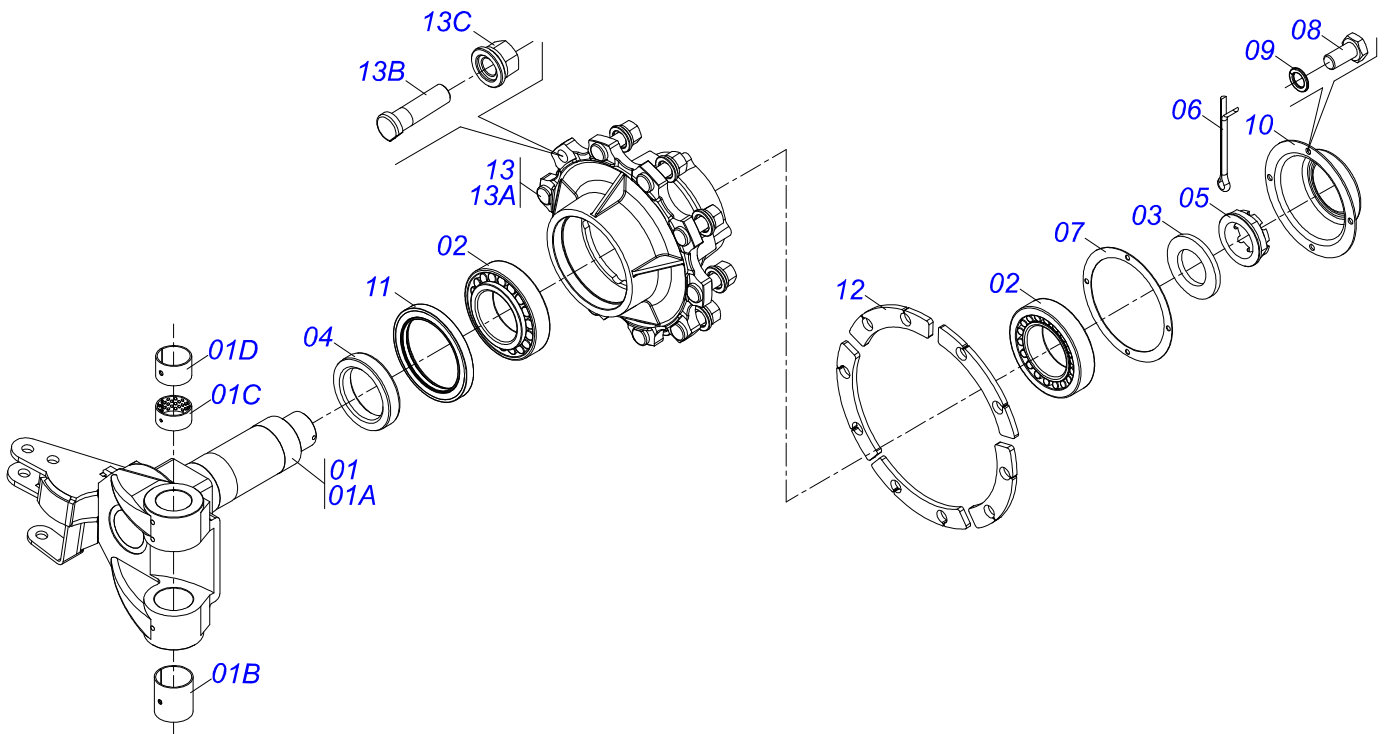


Item	Code	Description	QT
001	0521065010	BASKET	01
002	0503010019	1/2" SPRING WASHER	02
003	0503010834	1/2 X 1 BOLT	02
004	0521065035	COVER	01
005	0521010553	0.5" X 3" COUPLING SHAFT	02
006	0503010257	1/8" X 1" COTTERPIN	02
007	0503030168	HAIR PIN	01
008	0503011423	RING CHAIN ??WITH CHAIN	01
009	0521066145	49,5 X 208 AXLE	02

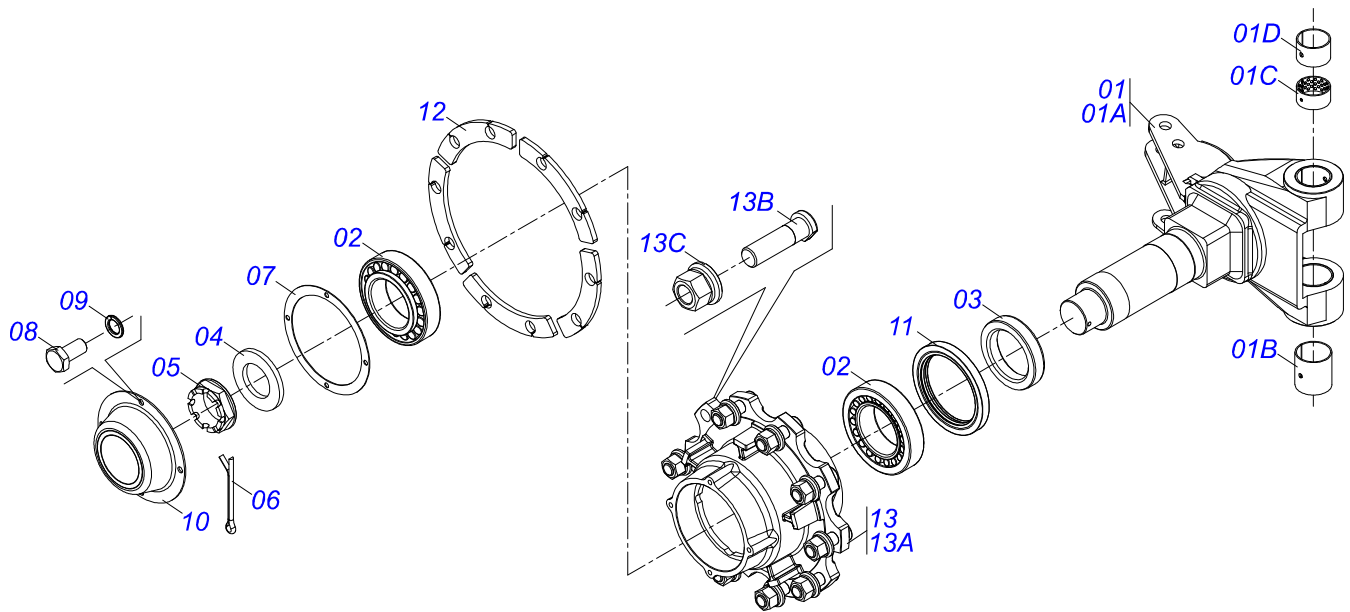


Item	Code	Description	QT
001	0501057001	AXLE LEFT SLEEVE MOUNTED	01
002	0501057000	AXLE RIGHT SLEEVE MOUNTED	01
003	0541019961	PIVOT AXLE	02
004	0551014048	FLAT WASHER	04
005	0551010396	WASHER CANT	02
006	0551010401	LOCK NUT	02
007	0511067573	UPPER COVER	02
008	0551010394	LOWER COVER	02
009	0503013546	M10 X 1,5 X 20MM BOLT	10
010	0503013542	M10 SPRING WASHER	10
011	0503010728	M10 X 1.2" BOLT	02
012	0501010076	FLAT WASHER	02
013	0503011075	NUT	06
014	0551010399	SLEEVE	02
015	0551010400	SLEEVE	02
016	0503011117	7/8" X 5" BOLT	02
017	0503011125	SELF ADJUSTING 7/8" UNC NUT	02
018	0501017065	FLAT WASHER	08
019	0503010014	3/4" NUT	02
020	0503010002	1800 GREASE FITTING	06
021	0501010098	HEX BOLT 3/4 UNC X 2 C S G.5 ZN	02
022	0503012135	1/2" X 1-1/2" BOLT	04
023	0501013475	3/4" X 7-1/2" BOLT	02
024	0503032822	SHOCK ABSORBER	02
025	0503012136	1 X 9 BOLT	04
026	0511016281	3/4" X 8" BOLT	02
027	0501017065	FLAT WASHER	04
028	0511010392	1.1/4"UNC NUT	02
029	0521065020	AXLE BODY	01
030	0503010812	7/8" SELF-ADJUSTING NUT	08
031	0581010949	CHAIN	02
032	0503012412	HEX SELF ADJUSTING NUT 5/8 UNC S	04
033	0503010233	5/8" X 2-1/2" BOLT	04

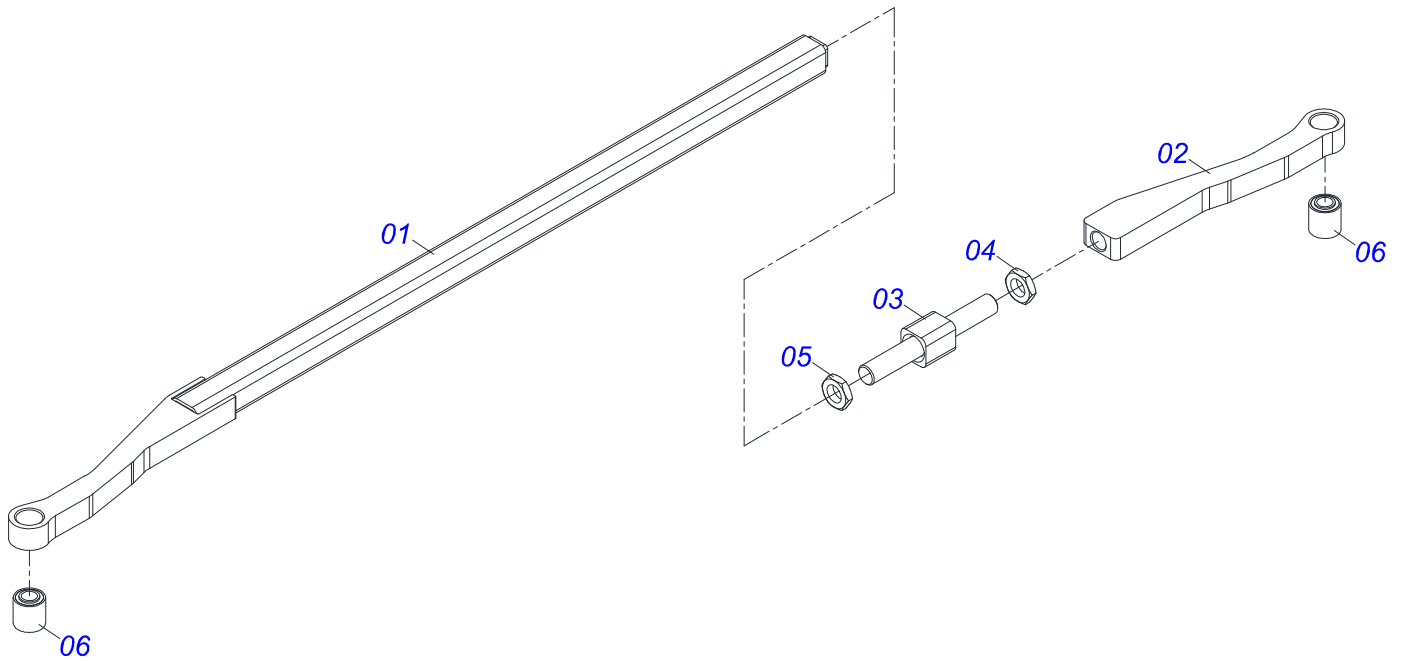
Item	Code	Description	QT
034	0501011460	7/8 NF REDUCTION NIPPLE	02
035	0503017369	STAPLE	02
036	0581010948	GUIDE FIXER CILINDER	02
037	0511058482	STABILIZER BAR	01
038	0503034315	STAPLE	02
039	0503062550	BEAM SPRING 09 BLADE	01
040	0503062549	BEAM SPRING 06 BLADE	01
041	0521045167	HYDRAULIC CYLINDER	02
042	0502012410	SPRING SUPPORT BEAM	02
043	0503010190	2-114 N 3006-9B O'RING	02



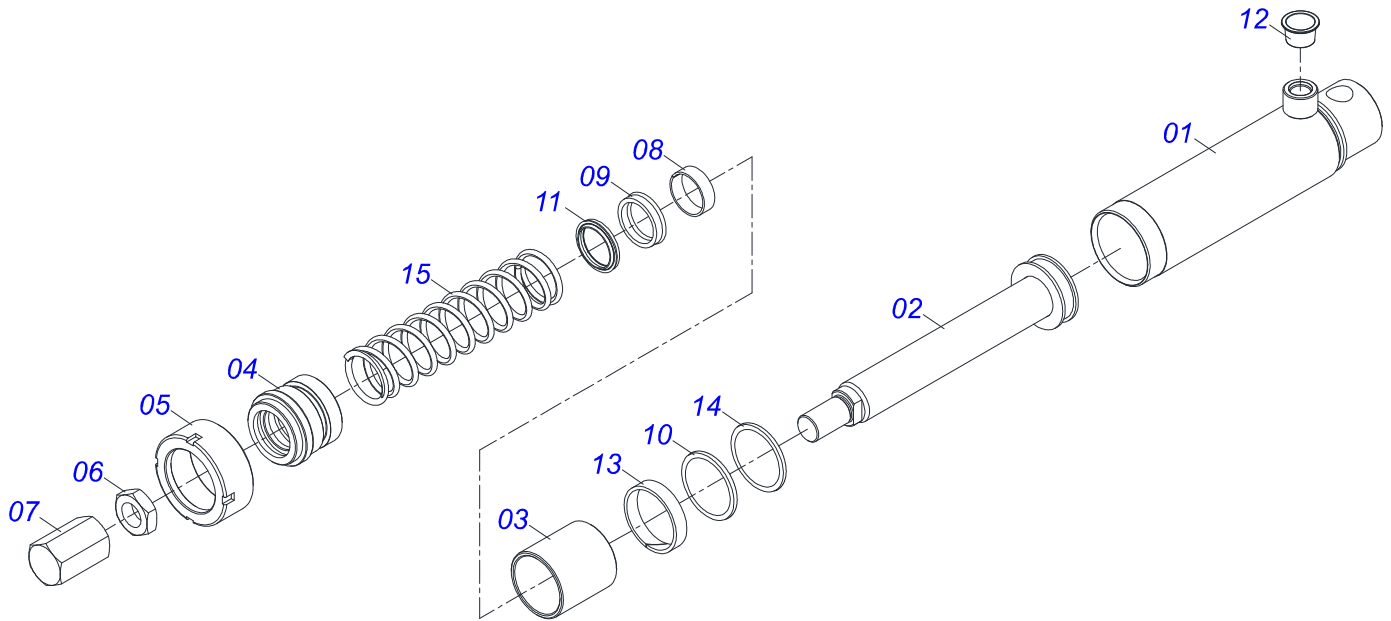
Item	Code	Description	QT
01	0501110480	AXIS DRIFT SLEEVE	01
01A	0511067380		01
01B	0503032801		01
01C	0503032800		01
01D	0503032799		01
02	0503010118	32218 ROLLER BEARING	02
03	0531019986	FLAT WASHER	01
04	0551010397	SLEEVE	01
05	0502040080	2.1/2" UM FLANGE NUT	01
06	0503012213	1/4" X 4 COTTERPIN	01
07	0503013548	CORK JOINT	01
08	0503013546	M10 X 1,5 X 20MM BOLT	04
09	0503013542	M10 SPRING WASHER	04
10	0503013549	HUB COVER	01
11	0503013541	SEAL	01
12	0561015521	FLANGE	05
13	0501110761	CARRYING WHEEL HUB ASSY	01
13A	0502012462	CARRYING WHEEL HUB	01
13B	0503014050	M22 X 1,5 BOLT	10
13C	0503014048	CM22 X 1,5 NUT	10



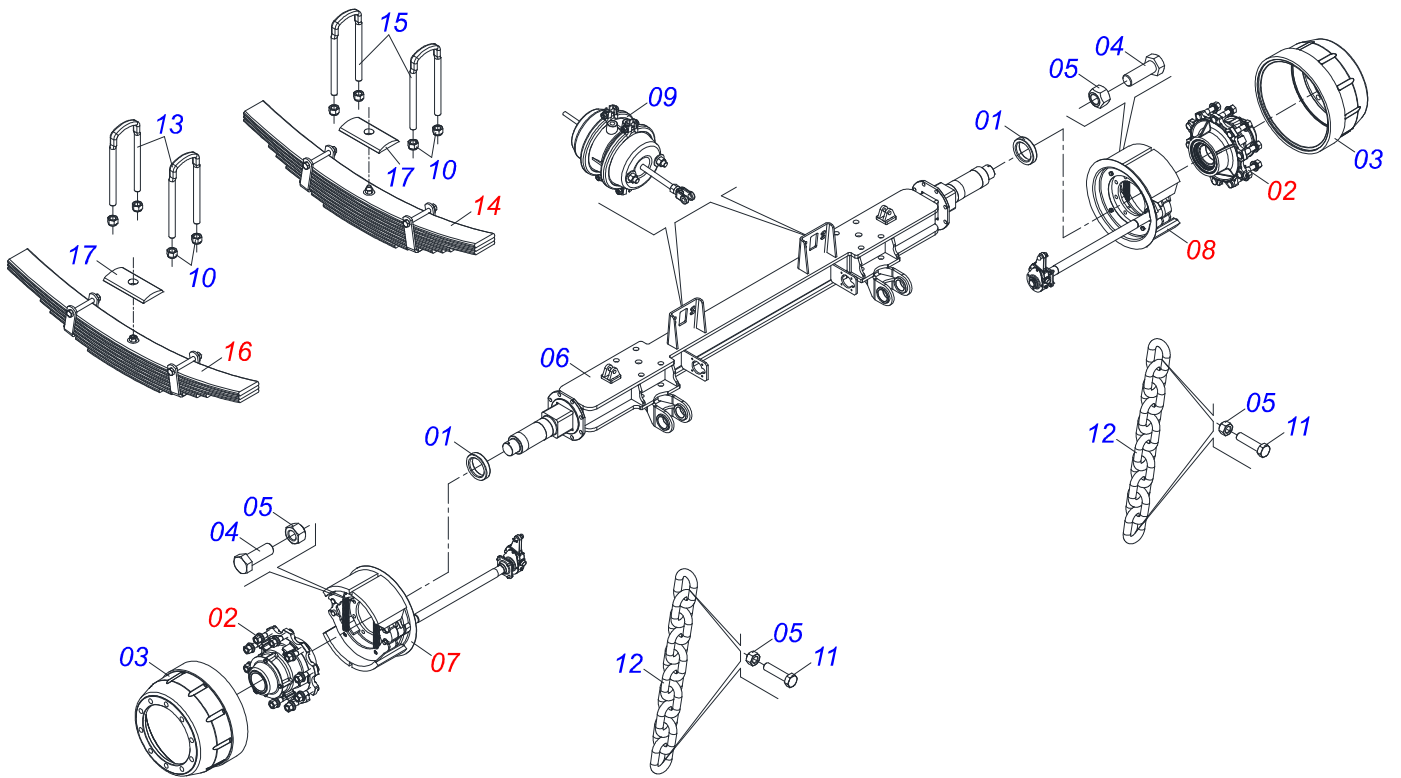
Item	Code	Description	QT
01	0501110479	AXIS DRIFT SLEEVE	01
01A	0511067381		01
01B	0503032801		01
01C	0503032800		01
01D	0503032799		01
02	0503010118	32218 ROLLER BEARING	02
03	0551010397	SLEEVE	01
04	0531019986	FLAT WASHER	01
05	0502040080	2.1/2" UM FLANGE NUT	01
06	0503012213	1/4" X 4 COTTERPIN	01
07	0503013548	CORK JOINT	01
08	0503013546	M10 X 1,5 X 20MM BOLT	04
09	0503013542	M10 SPRING WASHER	04
10	0503013549	HUB COVER	01
11	0503013541	SEAL	01
12	0561015521	FLANGE	05
13	0501110761	CARRYING WHEEL HUB ASSY	01
13A	0502012462	CARRYING WHEEL HUB	01
13B	0503014050	M22 X 1,5 BOLT	10
13C	0503014048	CM22 X 1,5 NUT	10



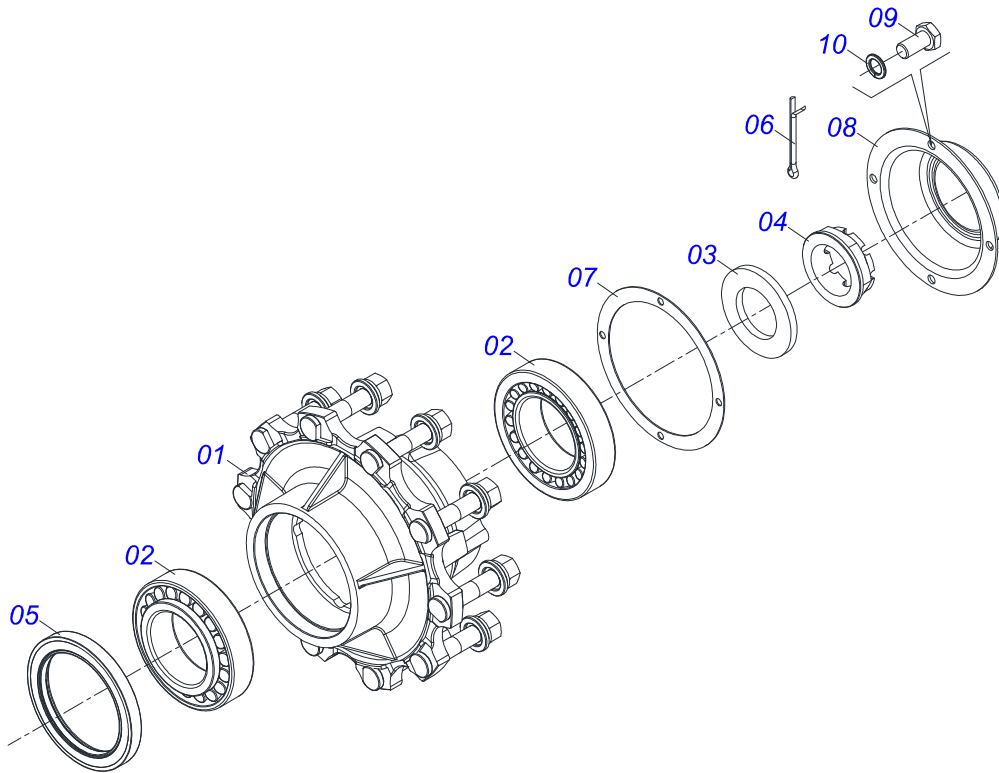
Item	Code	Description	QT
001	0521066678	RIGHT BAR	01
002	0521066677	LEFT BAR	01
003	0521066679	REGULATOR	01
004	0541019969	LOOK NUT RIGHT	01
005	0541019968	LOOK NUT LEFT	01
006	0503032947	BUSHING	02



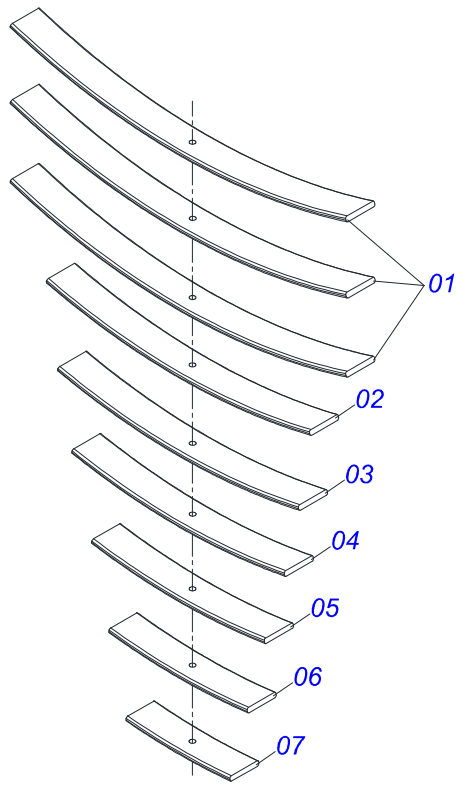
Item	Code	Description	QT
001	0511067490	CASE	01
002	0511067489	PISTON	01
003	0551010486	SLEEVE	01
004	0551010482	RING SUPPORT	01
005	0502010471	MOBILE COVER	01
006	0551010484	NUT	01
007	0571017660	60 NUT	01
008	0503010970	W1-1650-500 PK O'RING G.E	01
009	0503010989	1870-1500-375-B GASKET	01
010	0503011058	8-330 BACK-UP RING	01
011	0503010163	D-1500 SCRAPER RING	01
012	0503030384	CON N-001 PLUG	01
013	0503010973	W2-2500-500 PK O'RING G.E	01
014	0503010161	2-330 N 3006 9B O'RING	01
015	0503034317	COMPRES SPRING	01



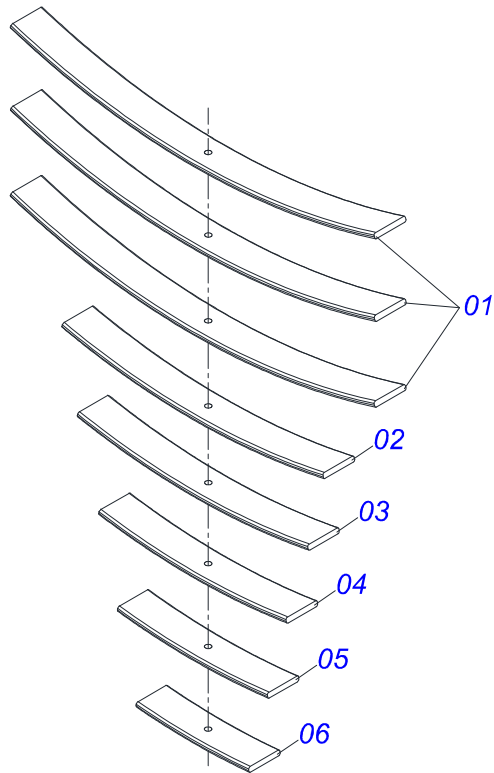
Item	Code	Description	QT
001	0551010397	SLEEVE	02
002	0511045858	WHEEL HUB	02
003	0502020688	BRAKE DRUM	02
004	0503010232	5/8" X 1.3/4" BOLT	16
005	0503012412	HEX SELF ADJUSTING NUT 5/8 UNC S	20
006	0521065016	AXLE	01
007	0503062551	RIGHT BRAKE ASSY	01
008	0503062552	RIGHT BRAKE ASSY	01
009	0503014057	BRAKE CHAMBER	02
010	0503010812	7/8" SELF-ADJUSTING NUT	08
011	0503010233	5/8" X 2-1/2" BOLT	04
012	0581010949	CHAIN	02
013	0503017369	STAPLE	02
014	0503062550	BEAM SPRING 09 BLADE	01
015	0503034315	STAPLE	02
016	0503062549	BEAM SPRING 06 BLADE	01
017	0502012410	SPRING SUPPORT BEAM	02



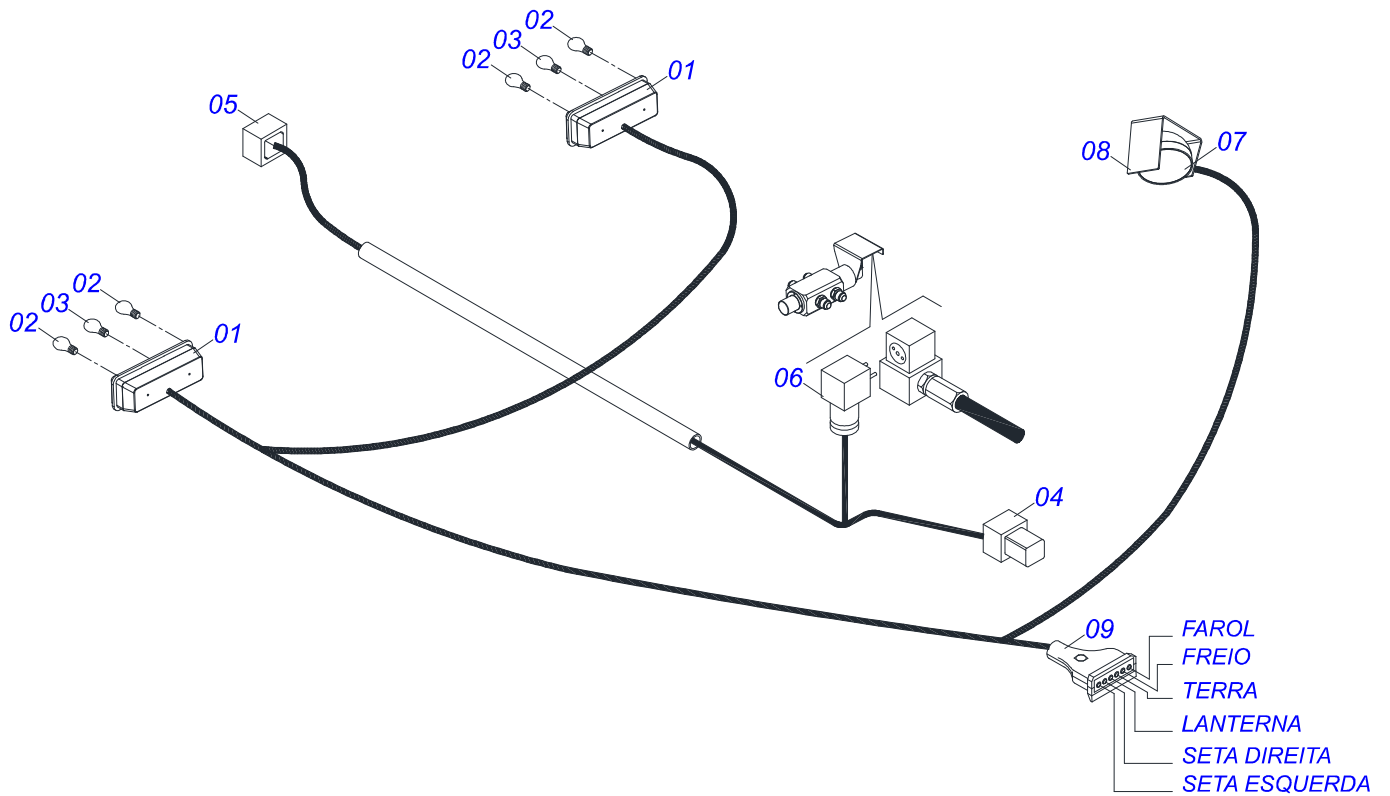
Item	Code	Description	QT
001	0501110771	CARRYING WHEEL HUB	01
002	0503010118	32218 ROLLER BEARING	02
003	0531019986	FLAT WASHER	01
004	0502040080	2.1/2" UM FLANGE NUT	01
005	0503013541	SEAL	01
006	0503012213	1/4" X 4 COTTERPIN	01
007	0503013548	CORK JOINT	01
008	0503013549	HUB COVER	01
009	0503013546	M10 X 1,5 X 20MM BOLT	04
010	0503013542	M10 SPRING WASHER	04



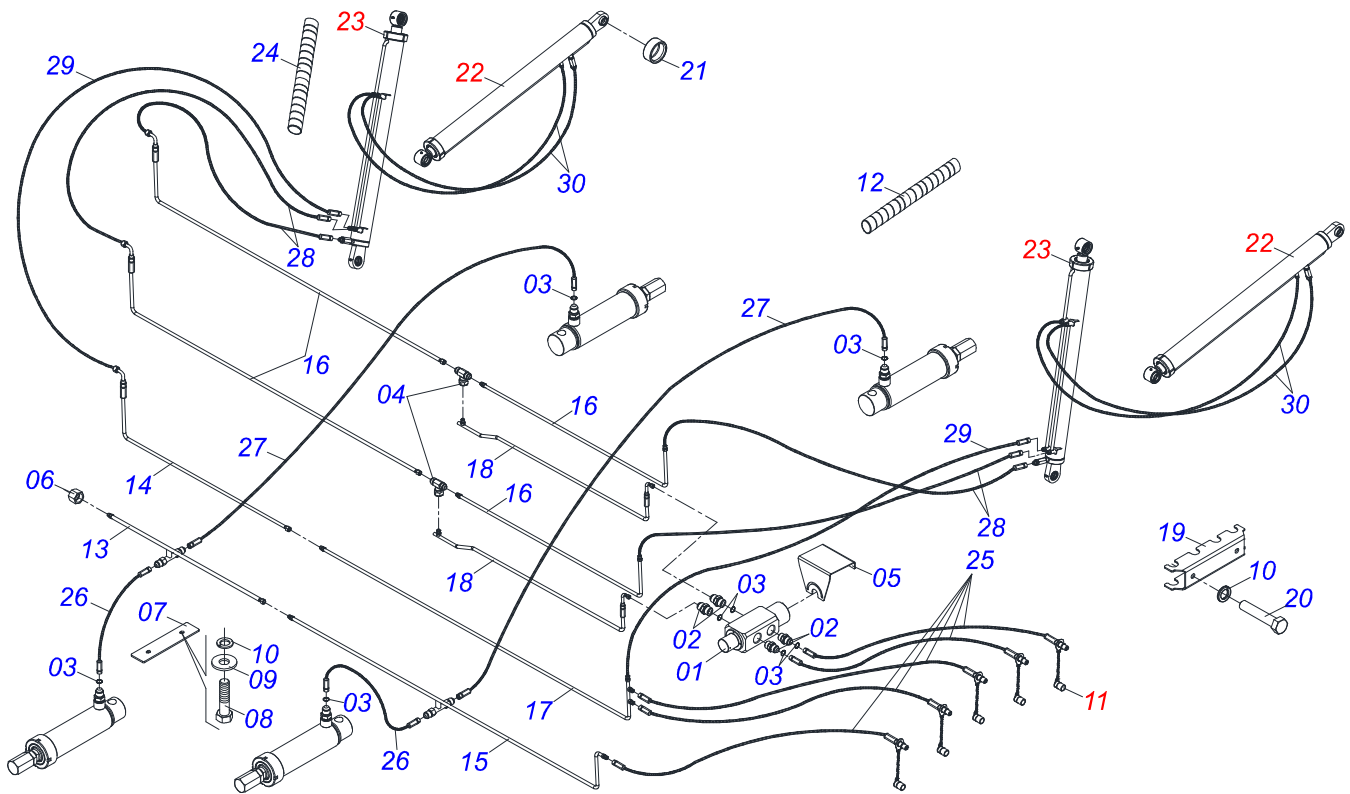
Item	Code	Description	QT
001	0503018385	SLIDE	03
002	0503018386	SLIDE	01
003	0503018387	SLIDE	01
004	0503018388	SLIDE	01
005	0503018389	SLIDE	01
006	0503018390	SLIDE	01
007	0503018391	SLIDE	01



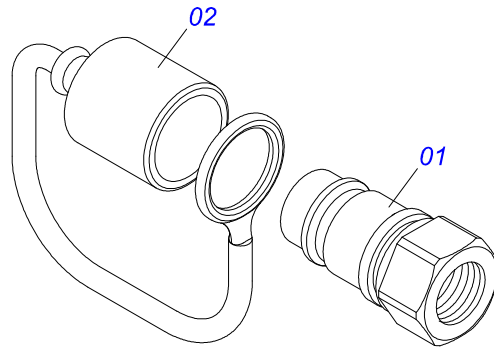
Item	Code	Description	QT
001	0503018385	SLIDE	03
002	0503018387	SLIDE	01
003	0503018388	SLIDE	01
004	0503018389	SLIDE	01
005	0503018390	SLIDE	01
006	0503018391	SLIDE	01



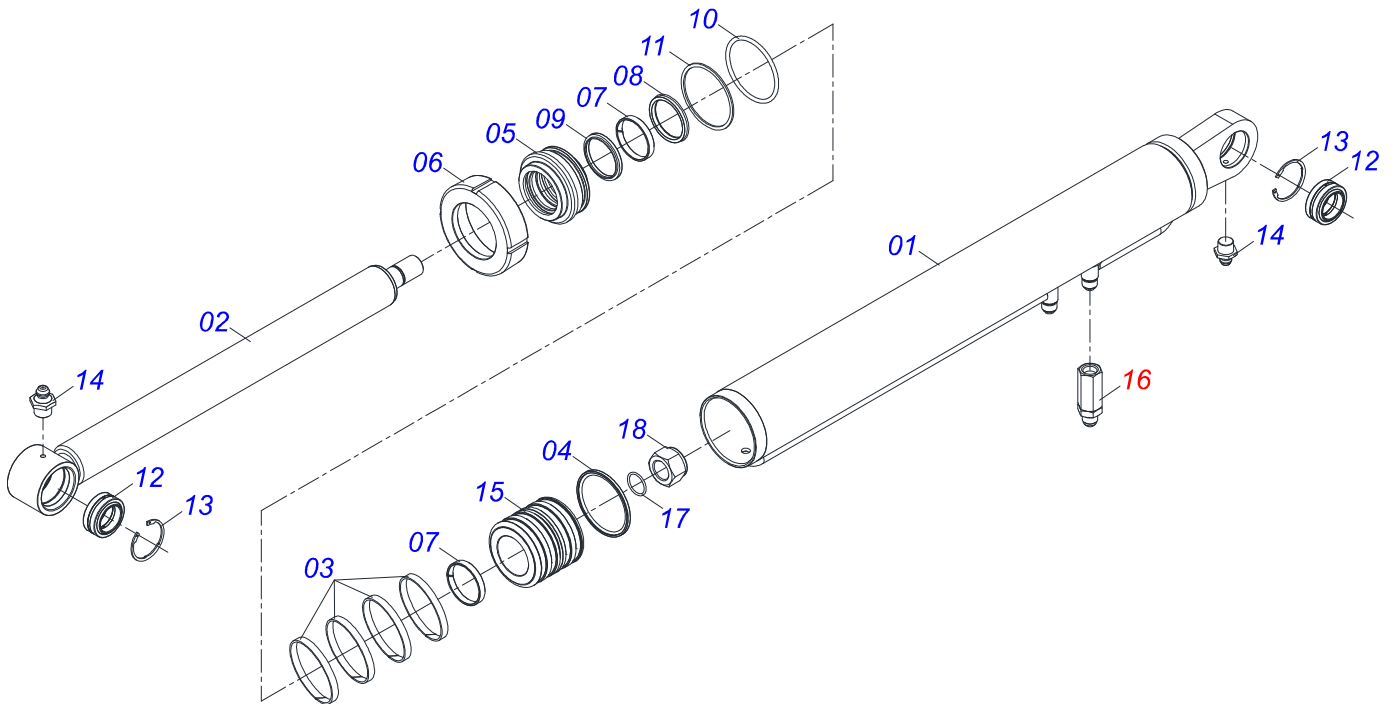
Item	Code	Description	QT
001	0503032811	FLASHLIGHT	02
002	0503032812	1141 12V LAMP	04
003	0503032813	67 12V 5W LAMP	02
004	0503013789	CONNECTOR 4V/1,5MM	01
005	0503013790	FEMALE CONNECTOR 4V/1,5MM	01
006	0503013566	PARKER PLUG	01
007	0503032434	LIGHTHOUSE FROTLUZ	01
008	0561018037	LIGHTHOUSE PROTECTION	01
009	0503032392	TAKE 6 POLES	01



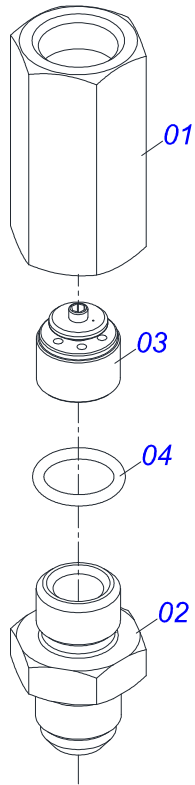
Item	Code	Description	QT
01	0503032386	HYDRAULIC VALVE EL/PN	01
02	0501010589	R. 1.1/16UN SEXT 1.1/4 X 52 NIPPLE	04
03	0503011109	2-119 N 3006-9B O'RING	08
04	0503013535	ADAPTER T TEE JIC 1.1/16	02
05	0571016441	PROTECTION VALVE	01
06	0551010235	COVER	01
07	0551014266	COVER FIXER TUBE	08
08	0501010096	3/8" X 2" BOLT	08
09	0501010984	FLAT WASHER	10
10	0503010025	3/8 SPRING WASHER	10
11	0501053834	QUICK CONECTION (MALE) 1/2	05
12	0503014278	SPRING	35
13	0521065021	OIL CONDUCTOR	01
14	0521065028	OIL CONDUCTOR	01
15	0521065029	OIL CONDUCTOR	01
16	0521066154	OIL CONDUCTOR	04
17	0521065030	OIL CONDUCTOR	01
18	0521066155	OIL CONDUCTOR	02
19	0551014265	BODY FIXER TUBE	01
20	0503010481	BOLT	02
21	0571019474	SLEEVE	12
22	0521045626	HYDRAULIC CYLINDER	02
23	0521045625	HYDRAULIC CYLINDER	02
24	0503014013	PROTECTION SPRING	05
25	0501081928	HOSE	02
26	0501080035	1/2" X 900 TR-TR HOSE	02
27	0501080022	1/2" X 43" TR-TR HOSE ASSY	02
28	0501080869	3/4 X 750 TR-TC HOSE	04
29	0501080019	3/4 X 1000 TR-TC HOSE	02
30	0501081019	HOSE	04



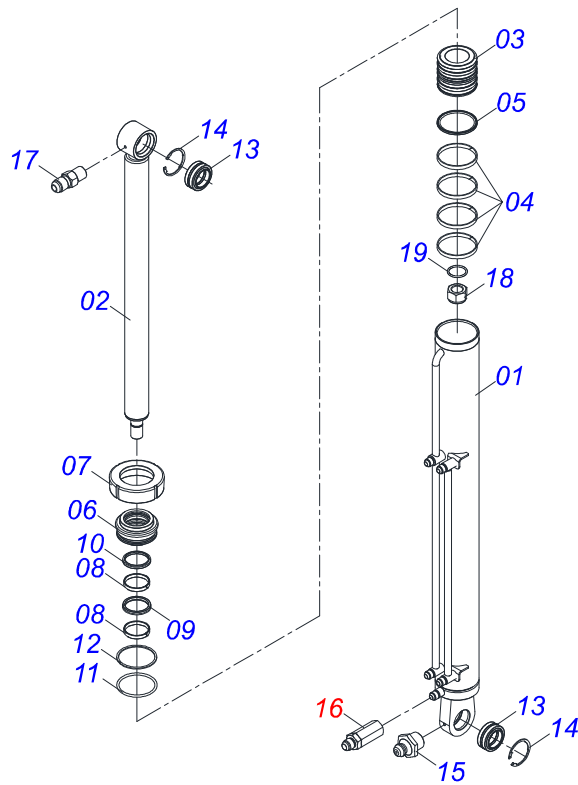
Item	Code	Description	QT
01	0503011627	QUICK CONNECTION (MALE) AGR 1/2 NPT	01
02	0503011882	QUICK CONNECTION COVER	01



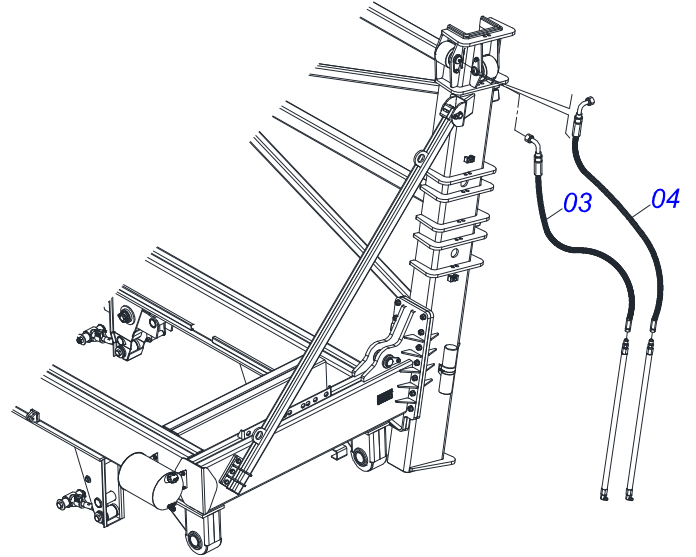
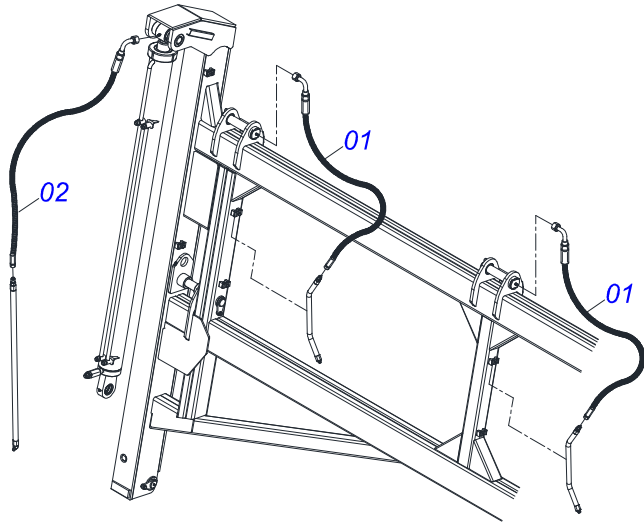
Item	Code	Description	QT
001	0521066152	CYLINDER CASE	01
002	0521066151	TURNBUCLE	01
003	0503010974	W2-5000-500 PK RING G.E	04
004	0503013440	OE 127 GASKET	01
005	0551016696	RING OF SUPPORT	01
006	0502010382	5" HEAD	01
007	0503013553	SEAL RING	02
008	0503013552	GASKET	01
009	0503012642	D-3000 SCRAPER RING	01
010	0503010351	2-425 N 3006-9B O'RING	01
011	0503011062	8-425 BACK-UP RING	01
012	0503013603	JOINTE	02
013	0503013602	502075 CLAMPING RING	02
014	0503010002	1800 GREASE FITTING	02
015	0571019546	PISTON	01
016	0511057443	SET SAFETY VALVE	01
017	0503010285	2-222 N 3006-9B O'RING	01
018	0503010290	SELF ADJUSTING 1.1/2" UNF NUT	01



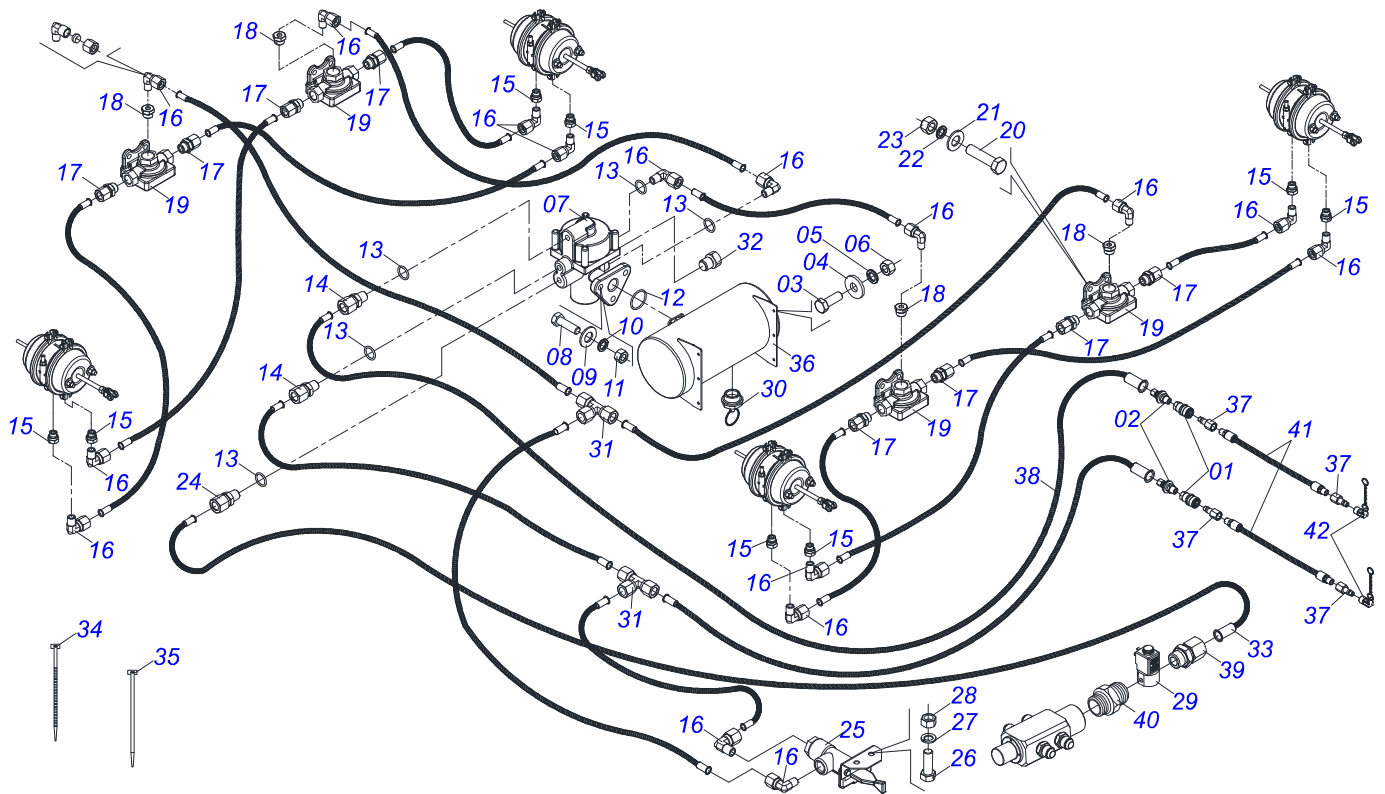
Item	Code	Description	QT
001	0571019549	NIPPLE	01
002	0571019550	NIPPLE	01
003	0503017730	VALVE	01
004	0503010605	O'RING	01



Item	Code	Description	QT
001	0521066153	CYLINDER CASE	01
002	0521066150	TURNBUCLE	01
003	0571019546	PISTON	01
004	0503010974	W2-5000-500 PK RING G.E	04
005	0503013440	OE 127 GASKET	01
006	0551016696	RING OF SUPPORT	01
007	0502010382	5" HEAD	01
008	0503013553	SEAL RING	02
009	0503013552	GASKET	01
010	0503012642	D-3000 SCRAPER RING	01
011	0503010351	2-425 N 3006-9B O'RING	01
012	0503011062	8-425 BACK-UP RING	01
013	0503013603	JOINTE	02
014	0503013602	502075 CLAMPING RING	02
015	0503010002	1800 GREASE FITTING	01
016	0511057443	SET SAFETY VALVE	01
017	0503012776	1/8" NF NIPPLE	01
018	0503010290	SELF ADJUSTING 1.1/2" UNF NUT	01
019	0503010285	2-222 N 3006-9B O'RING	01



Item	Code	Description	QT
01	0501080976	1/4 X 500 TR-TC HOSE	04
02	0501081371	TR-TC HOSE ASSY	02
03	0501081158	1/4 X 750 TR-TC HOSE	02
04	0501081157	1/4 X 600 HOSE	02



Item	Code	Description	QT
001	0503014140	FEMALE QUICK COUPLER	02
002	0503014138	UNION ANTEP TUBE	02
003	0503010237	3/8" X 1" BOLT	06
004	0501010984	FLAT WASHER	06
005	0503010025	3/8 SPRING WASHER	06
006	0503010026	3/8" NUT	06
007	0503032389	VALVE	01
008	0503010751	C3/8" X 1.1/4" HEX BOLT G.5	03
009	0501013518	FLAT WASHER	03
010	0503010025	3/8 SPRING WASHER	03
011	0503010026	3/8" NUT	03
012	0503013421	2-125 N O-RING	01
013	0503010605	O-RING	05
014	0503013646	MALE CONNECTOR	02
015	0503014037	REDUCTION	08
016	0503032307	CONNECT ELBOW	16
017	0503014216	MALE CONNECTOR	08
018	0503013481	REDUCTOR	04
019	0503014038	VALVE	04
020	0503010371	5/16" X 1" BOLT	08
021	0501010694	FLAT WASHER	08
022	0503010179	SPRING WASHER	08
023	0503010337	5/16" NUT	08
024	0503014213	MALE CONNECTOR	01
025	0503014039	VALVE DRIVE 1/4 9201001G37571	01
026	0503010282	1/4" X 3/4" BOLT	02
027	0503010143	SPRING WASHER	02
028	0503010144	1/4" NUT	02
029	0503032387	VALVE PN	01
030	0503013523	VALVE	01
031	0503032301	CONNECTION	02
032	0503013518	1/4" PLUG	01
033	0503014002	ADAPTER	36

Item	Code	Description	QT
034	0503013527	CLAMP ZIPER	15
035	0503015056	NYLON CLAMP	15
036	0503033132	RESERVOIR AR	01
037	0503013515	QUICK CONECTION	04
038	0503032835	1/2 TUBE	30
039	0503014117	MALE CONNECTOR	01
040	0503014486	NIPLE	01
041	0501081929	HOSE	02
042	0503011114	QUICK COUPLING PUMP	02

ANNOTATIONS

**ORIGINAL PARTS
CIVEMASA**





email: civemasa@civemasa.com.br

www.civemasa.com.br

Phone: +55 16.3382.8222

Fax: +55 16.3382.8355

MARCHESAN IMPLEMENTOS E MÁQUINAS AGRÍCOLAS "TATU" S.A.

Av. Marchesan, 1979 - Post Office box, 131 - Cep 15994-900 - Matão - Sp - Brasil

CNPJ 52.311.289/0001-63 | Inst. Est.441.000.151.114

Technical Publications: Elaboration

ALESSANDRA PATRICIA KAWAHARA CARRILI

Technical Publications: Revision

ALESSANDRA PATRICIA KAWAHARA CARRILI

Contact Catálogo:

E-mail = jgaspari@marchesan.com.br

ORIGINAIS PARTS
CIVEMASA

