

**DISK HARROWS**

## **GVPF 14/16/20/22/24/26D - 02 CYLINDERS**

**Code:** 0501091689  
**Series:** S-1297  
**Revision:** 00  
**Revision Date:** NOVEMBRO/2022

# **PARTS CATALOGUE**

***CIVEMASA***




# PRODUCTS

Code	Description
0120020013	GVPF 14CX36X12,0 DR DM E 2.1/2 REC DESMON S-1297
0120020017	GVPF 16X36X12,0 DR DM E2.1/2 CJ7,5X16 646051 S1297
0120020023	GVPF 20X34X9 DR DM E 2.1/2 6460180 S-1297
0120020003	GVPF 20X36X12 DR DM E 2.1/2 CJ7,5X16 6460209 S1297
0120020024	GVPF 22 34X12 DR DM E 2.1/2 CJ7,5X16 6460245 S1297
0120020004	GVPF 22X36X12,0 DR DM E2.1/2 CJ7,5X16 646025 S1297
0120020122	GVPF 24X34X12 DR DMO E 2.1/2 PN 900/20 S-1297
0120020121	GVPF 24X36X12 DR DMO E 2.1/2 PN 900/20 S-1297
0120020123	GVPF 24X38X12 DR DMO E 2.1/2 PN 900/20 S-1297
0120020117	GVPF 26X34X12 DR DMO E 2.1/2 PN 900/20 S-1297
0120020115	GVPF 26X36X12 DR DMO E 2.1/2 PN 900/20 S-1297
0120020116	GVPF 26X38X12 DR DMO E 2.1/2 PN 900/20 S-1297

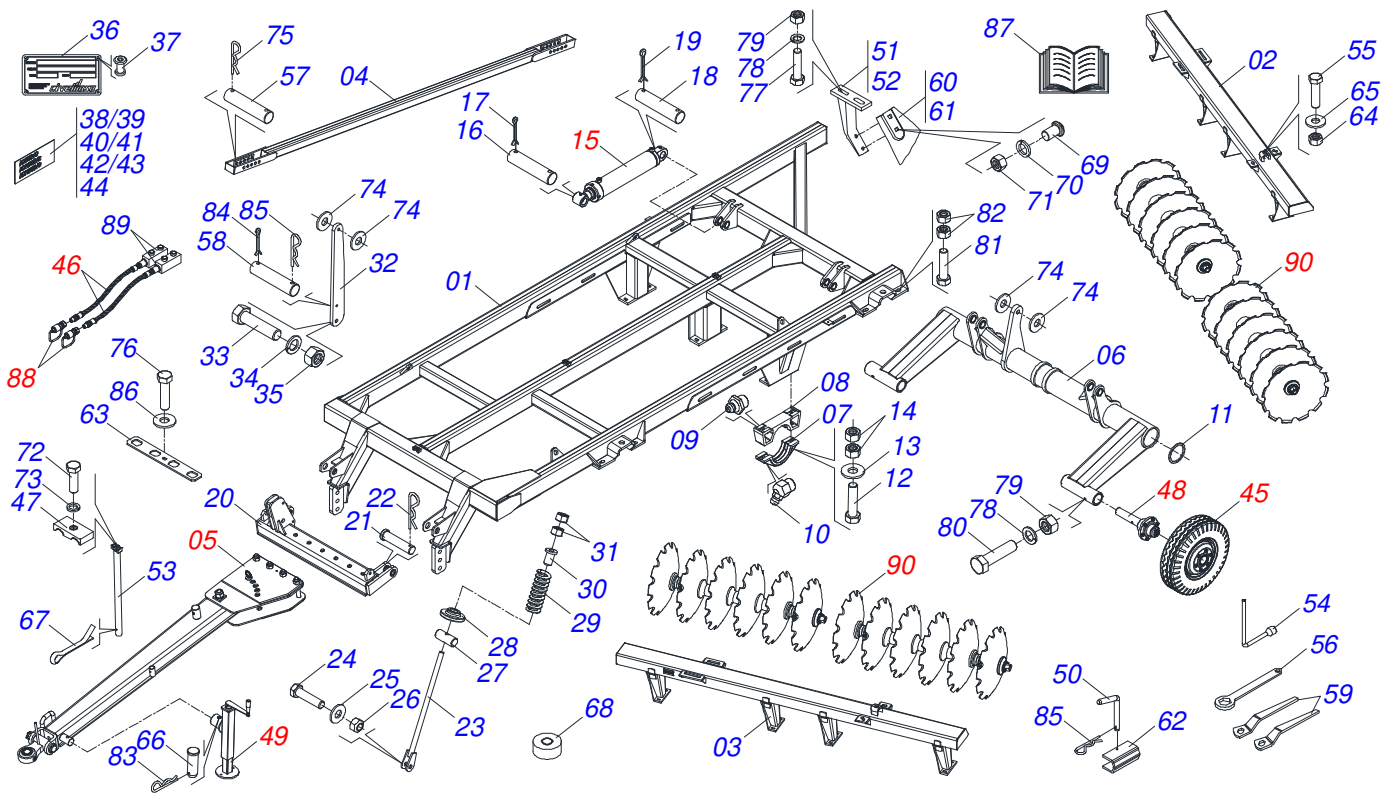
## ATTENTION: IMPORTANT

CIVEMASA reserves the right to improve and/or modify the technical features of its products, without obligation to do the same with those products already sold and without prior knowledge of the dealer or the consumer. The photos are only illustrative.



# INDEX

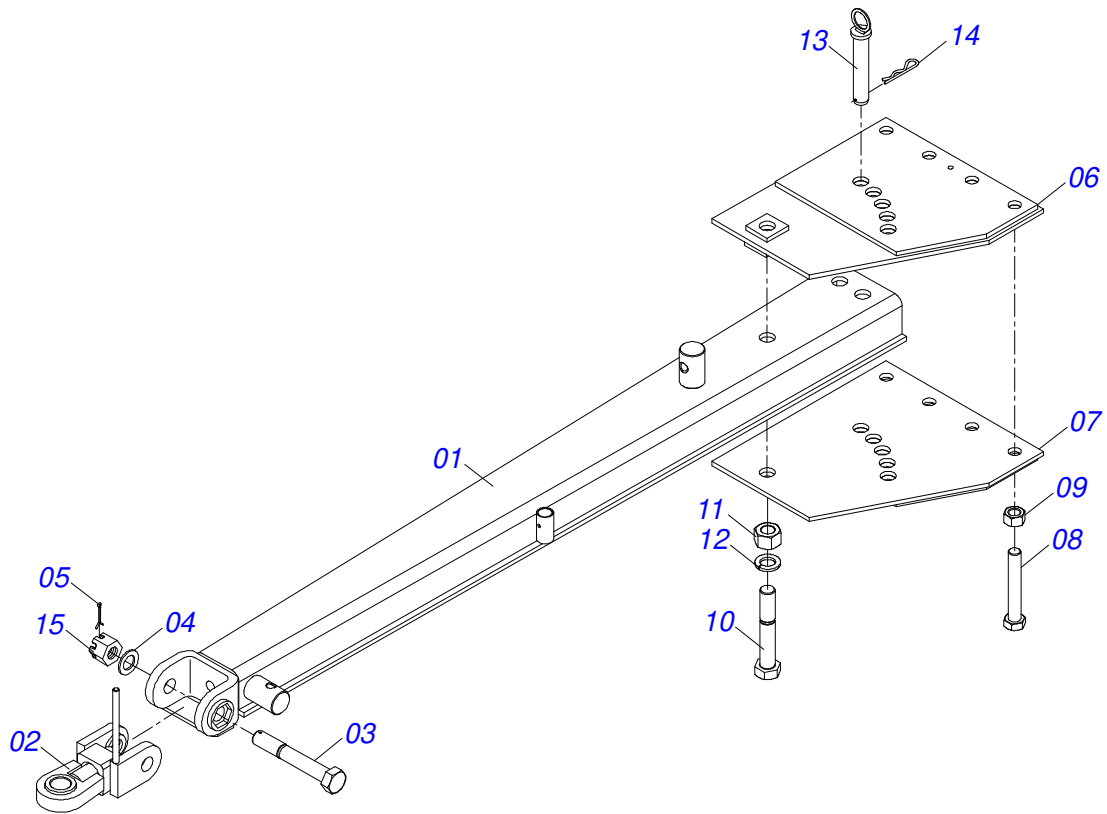
0909094735	ASSY FRAME - 14/16D	.....	1
0511050262	DRAWBAR ASSEMBLY	.....	2
0531041451	HYDRAULIC CYLINDER 53,98 X 101,6 X 728 X 400	.....	3
0503061868	6.00 WHEEL WITH TIRE	.....	4
0503060263	7.50 WHEEL WITH TIRE	.....	5
0501053212	HOSE SET	.....	6
0501052156	WHEELS HUB ASSY SET	.....	7
0511048088	DRAWBAR JACK	.....	8
0501053834	MALE QUICK COUPLER	.....	9
0909096600	ASSY FRAME - 20/22D	.....	10
0501048597	HYDRAULIC CYLINDER 44,45 X 101,6 X 730 X 400	.....	11
0501053217	HOSE KIT	.....	12
0909096601	ASSY FRAME - 24/26D	.....	13
0531044309	DRAWBAR	.....	14
0503060213	35.4"X0.80"-14L WHEEL AND TIRE ASSY	.....	15
0531044293	HYDRAULIC CYLINDER	.....	16
0531058406	HOSE SET	.....	17
0521052191	RELIEF VALVE	.....	18
0521042030	WHEEL WITHOUT TIRE S-0514	.....	19
0531058413	INSTRUCTION MANUAL CANISTER	.....	20
0909091682	ASSY FRONT/REAR DISC GANG	.....	21
0501048621	OIL BEARING	.....	22
0531041587	430 X 2.1/2 BEARING WITH PROTECTION SUPPORT	.....	23
0531052867	430 X 2.1/2 BEARING	.....	24



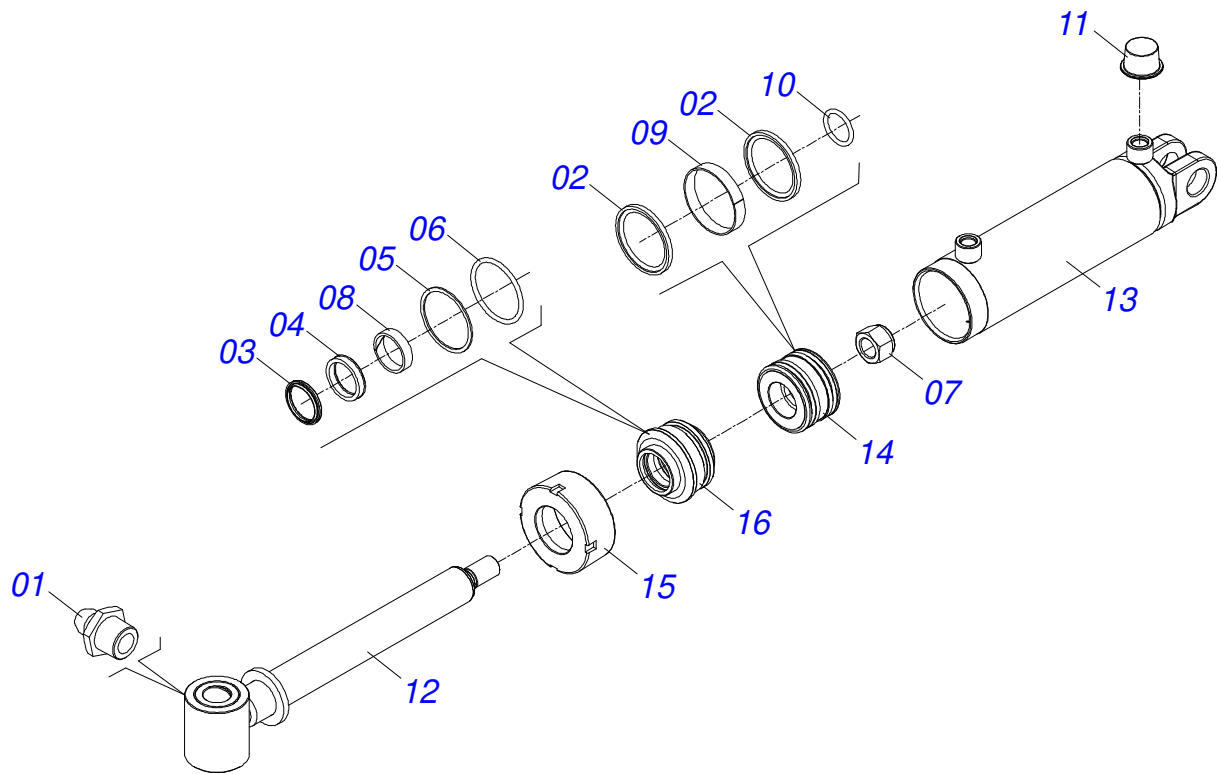
Item	Code	Description	See page	14	16
01	0511060528	FRAME		01	01
02	0511061551	FRAME REAR - 14		01	00
02.	0511061544	FRAME REAR - 16		00	01
03	0511061553	FRAME FRONT - 14		01	00
03.	0511061545	FRONT FRAME - 16		00	01
04	0511060527	STABILIZER BAR		01	01
05	0511050262	DRAWBAR ASSEMBLY	2	01	01
06	0511060526	AXLE WHEEL		01	01
07	0502011724	INF BEARING SEMI		03	03
08	0502011725	UPPER BEARING SEMI		03	03
09	0503010002	1800 GREASE FITTING		06	06
10	0503010003	1845 GREASE FITTING		06	06
11	0503012222	FELT RING		06	06
12	0511016281	3/4" X 8" BOLT		06	06
13	0521013710	WASHER SEMIMAN		06	06
14	0503012183	SNC 3/4" ZIN 1K03097 NUT		12	12
15	0531041451	HYDRAULIC CYLINDER 53,98 X 101,6 X 728 X 400	3	02	02
16	0521013706	HEADLESS PIN		02	02
17	0503010010	1/4" X 2.1/2" COTTERPIN		04	04
18	0591019956	44,45 X 168 HEADLESS PIN		02	02
19	0503010010	1/4" X 2.1/2" COTTERPIN		04	04
20	0511060203	DRAWBAR ASSY		01	01
21	0521013738	PIN WITH HEAD		02	02
22	0503031479	STAPLE		02	02
23	0511060124	ASSEMBLY TIME		02	02
24	0501010500	3/4"X3"BOLT		02	02
25	0501010322	FLAT WASHER		02	02
26	0503011255	3/4" LOCK NUT		02	02
27	0521013759	PIN SPINDLE GUIDE		02	02
28	0521013760	SPRING SUPPORT		02	02
29	0503031460	SPRING		02	02

Item	Code	Description	See page	14	16
30	0502011582	SPINDLE GUIDE		02	02
31	0503012182	1" NUT		04	04
32	0521014367	TOWER GVPF		01	01
33	0503012226	1-1/4" X 4" BOLT		01	01
34	0503010070	SPRING WASHER		01	01
35	0503012181	1.1/4" NUT		01	01
36	0503034004	ALUMINUM IDENTIFICATION LABEL		01	01
37	0503010001	3.2 X 5.5 RIVET		04	04
38	0503031738	ADHESIVE LABEL		01	01
39	0503034239	BADGE		02	02
40	0503031428	READ MANUAL DECAL		01	01
41	0503033038	DANGER SIGN		02	02
42	0503033647	APPROVED BADGE		01	01
43	0503031739	ADHESIVE LABEL		01	01
44	0503033241	CIVEMASA 100 X 400 BADGE		02	02
45	0503061868	6.00 WHEEL WITH TIRE	4	04	00
45.	0503060263	7.50 WHEEL WITH TIRE	5	00	04
46	0501053212	HOSE SET	6	01	01
47	0502012702	BODY SUPPORT CLAMP		04	04
48	0501052156	WHEELS HUB ASSY SET	7	04	04
49	0511048088	DRAWBAR JACK	8	01	01
50	0541016844	FIXER LOCK		02	02
51	0511060304	FRONT SUPPORT		07	08
52	0511060305	REAR SUPPORT		07	08
53	0511060205	SUPPORT HOSE CNS 20104N		01	01
54	0503018438	1" WRENCH CYLINDRICAL HEX		01	01
55	0503019212	BOLT		02	02
56	0511064004	WRENCH		01	01
57	0521013776	PIN SEM HEAD		02	02
58	0521013812	PIN FREE HEAD		01	01
59	0521013902	WRENCH NUT		02	02
60	0521013678	FRONT CLEANER		07	08
61	0521013679	REAR CLEANER		07	08
62	0591018207	LOCK FOR TRANSPORT		02	02
63	0521013774	GVMF LOCK		01	01
64	0502011692	GVMF 60117N 3442029 NUT		02	02
65	0521014368	FLAT WASHER		02	02
66	0561014251	COUPLING SHAFT		01	01
67	0503012215	5/16" X 2-1/2" COTTERPIN		01	01
68	0503013171	SEALING		01	01
69	0503012195	5/8" NUT		28	32
70	0503010027	5/8" SPRING WASHER		36	44
71	0503010013	5/8" NUT		28	32
72	0503012555	SCREW 7/16 UNC X 2 CS RT G.7 ZN		04	04
73	0503010180	7/16" SPRING WASHER		04	04
74	0521013818	STRENGTHENING GL 41005 3281218		04	04
75	0503031470	TM 251 X 4,0 STAPLE		02	02
76	0501010108	5/8" X 1" BOLT		01	01
77	0503012180	FRENCH 3/4" X 2 BOLT		28	32
78	0503010023	3/4" SPRING WASHER		28	32
79	0503012183	SNC 3/4" ZIN 1K03097 NUT		28	32
80	0503011084	3/4" X 5" BOLT		04	04
81	0503012257	1" X 4-1/4" BOLT		08	08
82	0503012182	1" NUT		16	16
83	0503030012	HITCH PIN CLIP		01	01
84	0503010362	1/8 X 1.1/4 COTTERPIN		03	03
85	0503031464	TM 211 X 3,0 STAPLE		01	01
86	0501012140	FLAT WASHER		01	01
87	0511032895	BAG WITH INSTRUCTION MANUAL		01	01

<b>Item</b>	<b>Code</b>	<b>Description</b>	<b>See page</b>	<b>14</b>	<b>16</b>
88	0501053834	MALE QUICK COUPLER	9	02	02
89	0501074276	TERMINAL CONNECTION		02	02
90	0909091682	ASSY FRONT/REAR DISC GANG	21	14	16

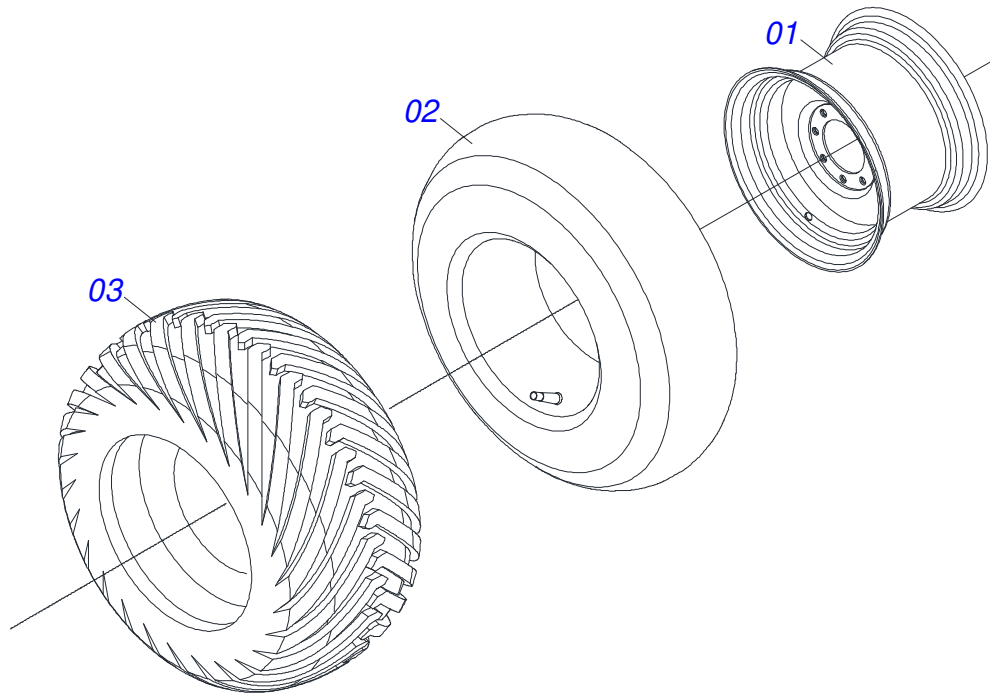


Item	Code	Description	See page	QT
01	0511060300	DRAWBAR		01
02	0521068888	TRACTOR HITCH BODY		01
03	0521013739	BOLT HARNESS		01
04	0501812916	FLAT WASHER		01
05	0503010067	3/16" X 2.1/2" COTTER PIN		01
06	0511060301	PLATE HITCH		01
07	0511060302	PLATE HITCH		01
08	0503012192	1-1/4" X 8 BOLT		04
09	0503012181	1.1/4" NUT		04
10	0503012258	1-1/2" X 9" BOLT		01
11	0501810110	1.1/2 NC 6FPP NUT		01
12	0503013627	1.1/2 SPRING WASHER		01
13	0511060146	PIN FIXER		01
14	0503031479	STAPLE		01
15	0502011592	CASTLE NUT		01

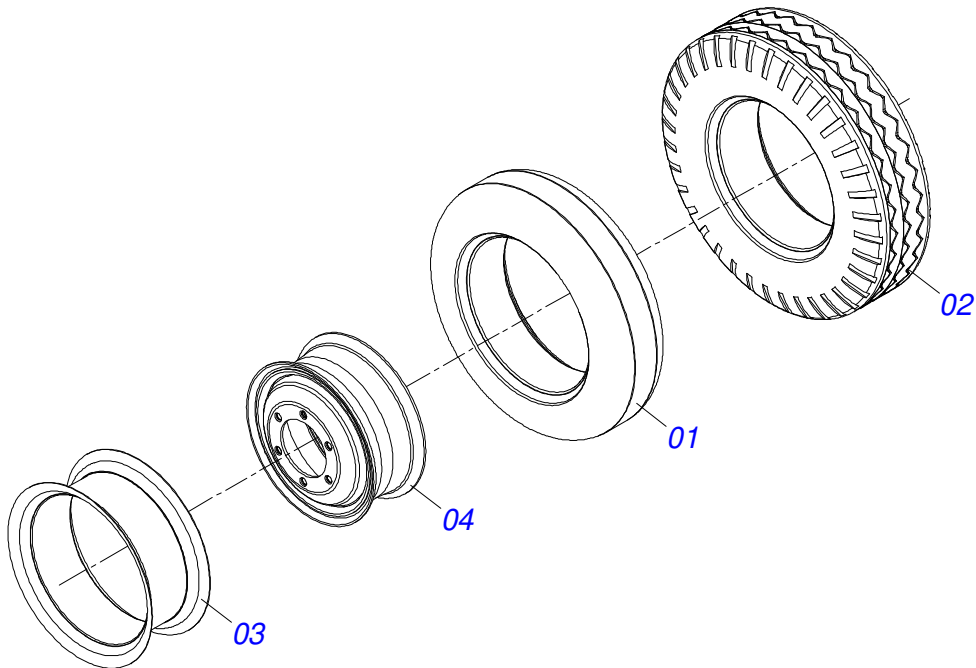


Item	Code	Description	See page	QT
01	0503010002	1800 GREASE FITTING		02
02	0503010043	PACKING 3750-3250		02
03	0503010314	GASKET		01
04	0503010319	D-2125 SCRAPER		01
05	0503010338	2-342 N 3006-9B O'RING		01
06	0503010345	2-218 N 3006-9B O'RING		01
07	0503010817	1.1/4" SELF LOCKING NUT		01
08	0503010973	W2-2500-500 PK O'RING G.E		01
09	0503010994	W2-4000-500 PK RING G.E		01
10	0503011061	8-342 BACK-UP RING		01
11	0503030384	CON PLUG N-001		02
12	0531062835	EXTENDER 53.98 X 609		01
13	0511062253	CYLINDER CASE		01
14	0502011969	53,98 X 101,60 PISTON		01
15	0502010017	4" HEAD		01
16	0502011250	RING OF SUPPORT		01

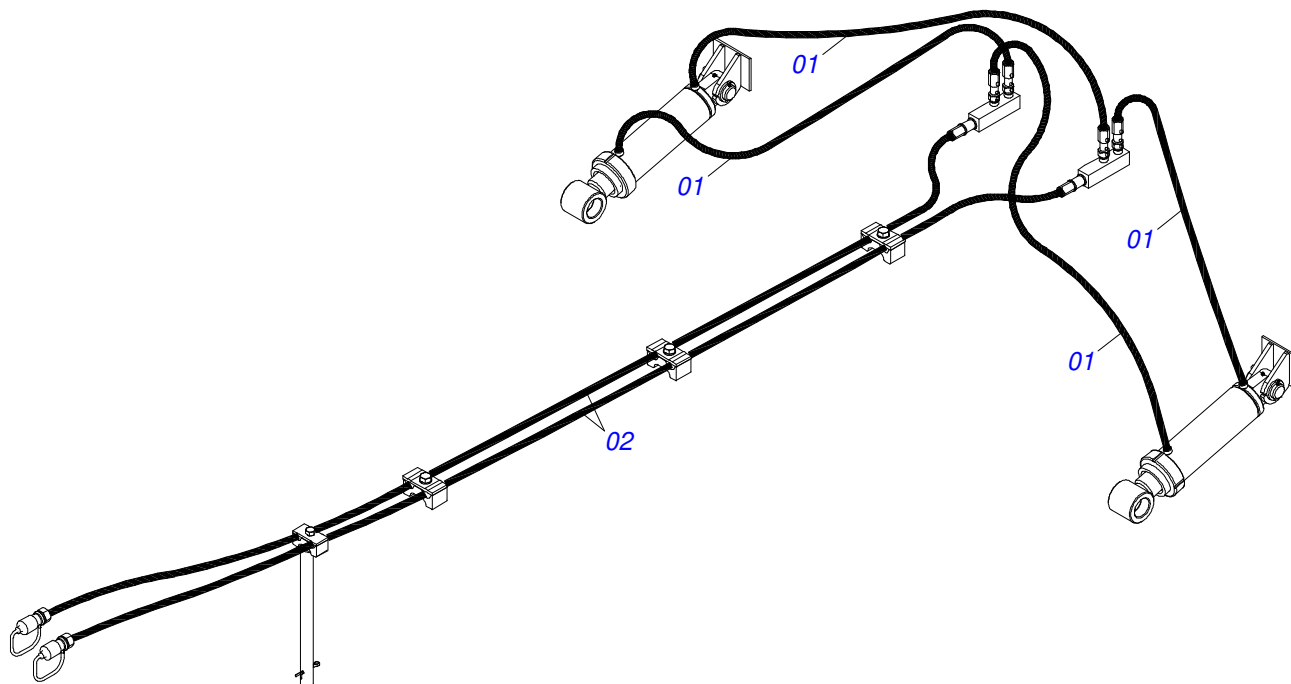




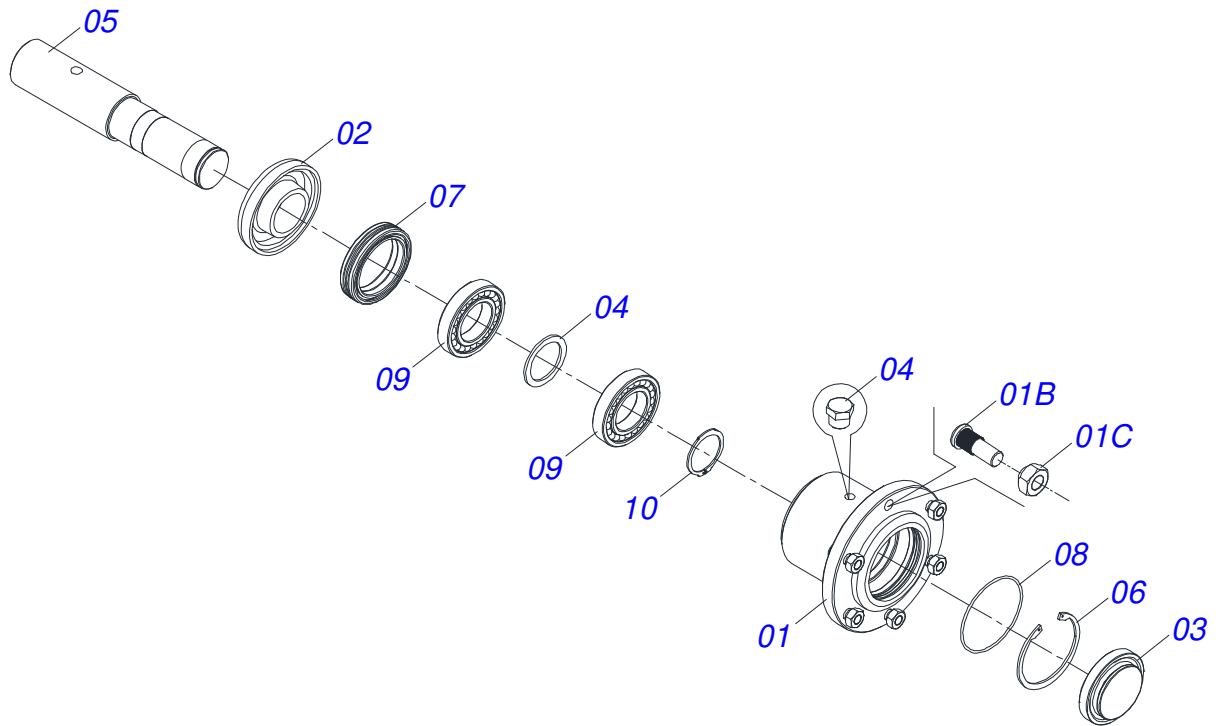
Item	Code	Description	See page	QT
01	0503012916	W-13 X 16,5 HOOP WHEEL		01
02	0503012112	400/60 - 15.5 TR 15 INNER TIRE		01
03	0503013119	CANVAS TIRE		01



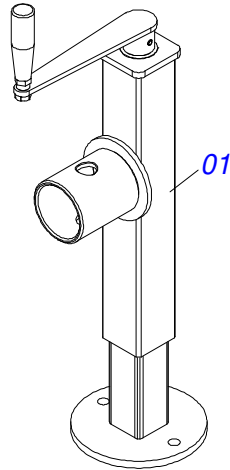
Item	Code	Description	See page	QT
01	0503012299	7.50 X 16 INNER TIRE		04
02	0503012300	TIRE 10L		04
03	0503010471	0.3" X 0.6" PROTECTION		04
04	0503012302	WHEEL AND TIRE RING		01



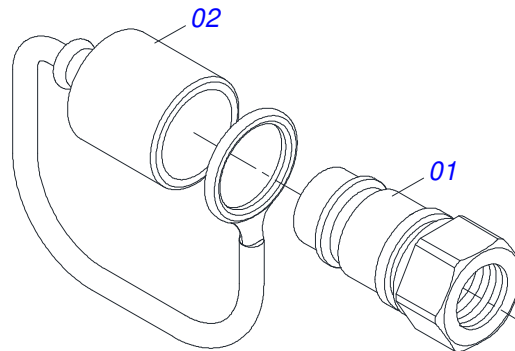
Item	Code	Description	See page	QT
01	0501080801	HOSE		04
02	0501080815	TM-TM HOSE ASSY		02



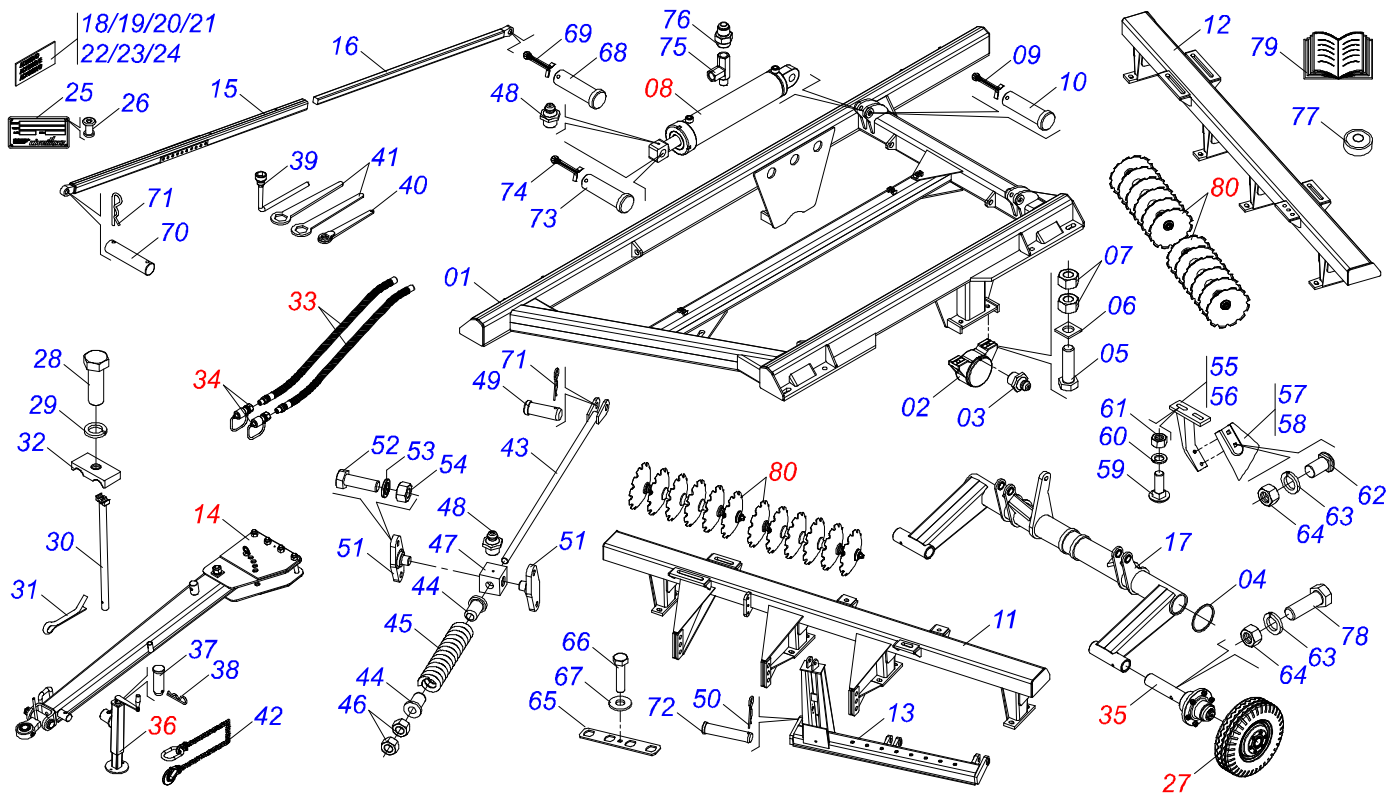
Item	Code	Description	See page	QT
01	0501110767	HUB CARRYING WHEELS WITH BOLT		01
01A	0502011595	WHEEL HUB		01
01B	0503012307	5/8" X 2" BOLT		06
01C	0503010064	5/8 UNF CONIC NUT		06
02	0502020649	SUPPORT SEAL		01
03	0502020648	COVER		01
04	0521013887	FLANGE WASHER		01
05	0521013889	CR 70/5A AXLE		01
06	0503012312	RENO RING 502120		01
07	0503012313	SEAL		01
08	0503012314	2-248 1G05195 O'RING		01
09	0503012294	BEARING LM		02
10	0503012311	501065 RENO RING		01
11	0503010856	OIL PLUG		01



Item	Code	Description	See page	QT
01	0503062227	DRAWBAR JACK		01



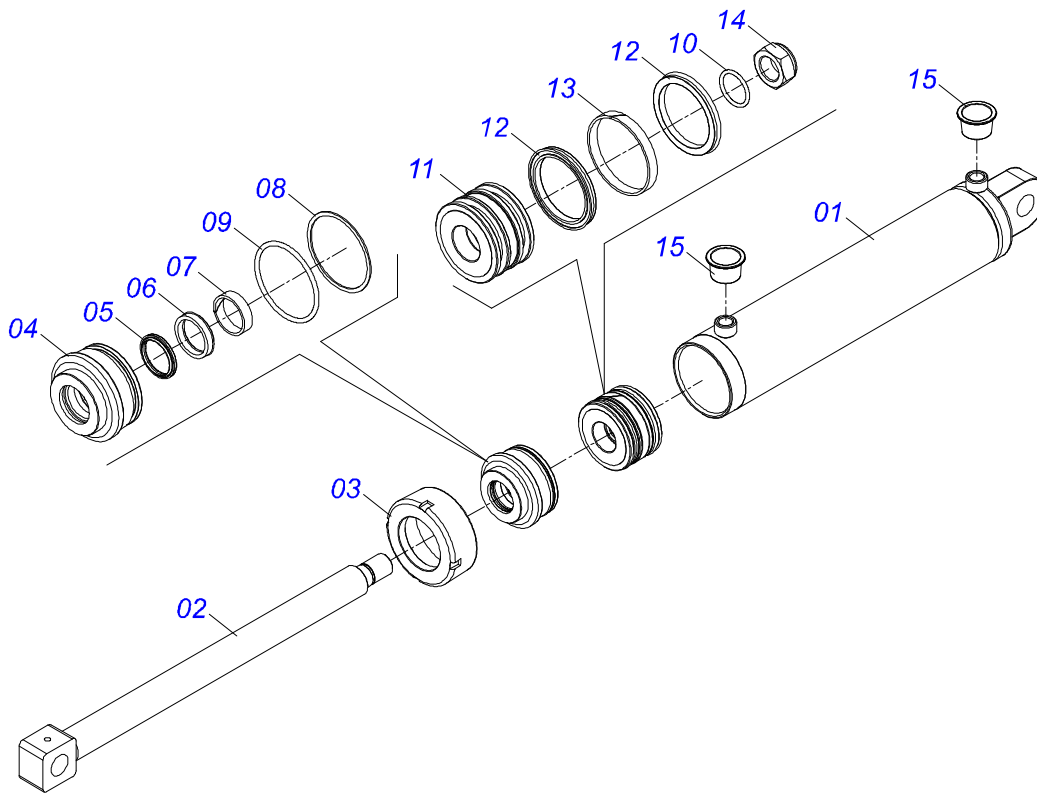
Item	Code	Description	See page	QT
01	0503011627	MALE QUICK COUPLER AGR 1/2 NPT		01
02	0503011882	MALE QUICK COUPLER CAP		01



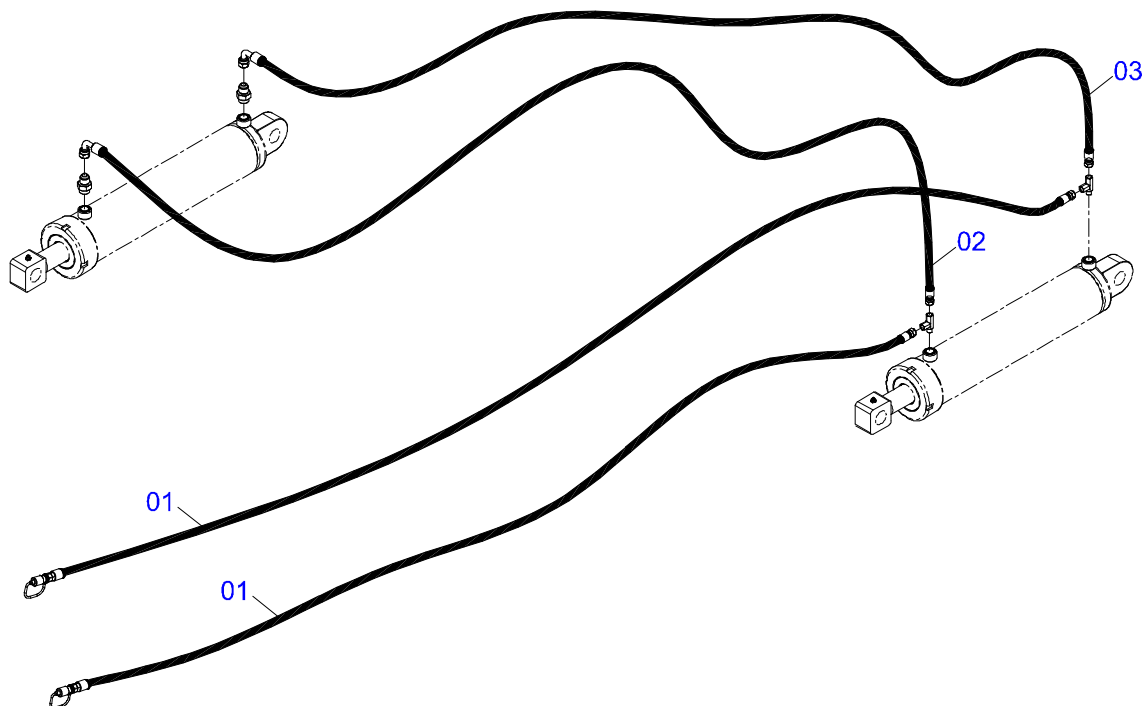
Item	Code	Description	See page	20	22
01	0511060294	FRAME		01	01
02	0502011588	AXLE WHEEL BEARING		02	02
03	0503010002	1800 GREASE FITTING		02	02
04	0503012222	FELT RING		02	02
05	0503012325	BOLT		04	04
06	0521013740	WASHER SQUARE		04	04
07	0503010417	7/8" NUT		08	08
08	0501048597	HYDRAULIC CYLINDER 44,45 X 101,6 X 730 X 400	11	02	02
09	0503010010	1/4" X 2.1/2" COTTERPIN		04	04
10	0521013905	PIN		04	04
11	0511060297	FRONT FRAME - 20		01	00
11.	0511060340	FRONT FRAME - 22		00	01
12	0511060298	REAR FRAME - 20		01	00
12.	0511060341	REAR FRAME - 22		00	01
13	0511060299	DRAWBAR ASSY		01	00
13.	0511060343	DRAWBAR ASSY		00	01
14	0511050262	DRAWBAR ASSEMBLY	2	01	01
15	0511060296	STABILIZER BAR		01	01
16	0511060024	PROLONG		01	01
17	0511060295	AXLE WHEEL		01	01
18	0503031738	ADHESIVE LABEL		01	01
19	0503031428	READ MANUAL DECAL		01	01
20	0503033038	DANGER SIGN		02	02
21	0503033647	APPROVED BADGE		01	01
22	0503034239	BADGE		02	02
23	0503033241	CIVEMASA 100 X 400 BADGE		02	02
24	0503031739	ADHESIVE LABEL		01	01
25	0503034004	ALUMINUM IDENTIFICATION LABEL		01	01
26	0503010001	3.2 X 5.5 RIVET		04	04
27	0503060263	7.50 WHEEL WITH TIRE	5	04	04
28	0503012555	SCREW 7/16 UNC X 2 CS RT G.7 ZN		04	04

Item	Code	Description	See page	20	22
29	0503010180	7/16" SPRING WASHER		04	04
30	0511060205	SUPPORT HOSE CNS 20104N		01	01
31	0503012215	5/16" X 2-1/2" COTTERPIN		01	01
32	0502012702	BODY SUPPORT CLAMP		04	04
33	0501053217	HOSE KIT	12	01	01
34	0501053834	MALE QUICK COUPLER	9	02	02
35	0501052156	WHEELS HUB ASSY SET	7	04	04
36	0511048088	DRAWBAR JACK	8	01	01
37	0561014251	COUPLING SHAFT		01	01
38	0503030012	HITCH PIN CLIP		01	01
39	0503018438	1" WRENCH CYLINDRICAL HEX		01	01
40	0521062858	1.1/4" WRENCH NUT		01	01
41	0521013902	WRENCH NUT		02	02
42	0503013150	1300 X 3/8 CHAIN		01	01
43	0511060306	RIGHT SET JACK		01	01
44	0502011582	SPINDLE GUIDE		02	02
45	0503031507	COMPRES SPRING		01	01
46	0503012182	1" NUT		02	02
47	0502011616	CROSSPIECE GVMF 60106A		01	01
48	0503010002	1800 GREASE FITTING		03	03
49	0521013838	PIN WITH HEAD ROD PN-004		01	01
50	0503031470	TM 251 X 4,0 STAPLE		02	02
51	0502011615	SUPPORT CROSS		02	02
52	0503010920	1/2 UNC X 1.1/2 C S G.5 ZN BOLT		04	04
53	0503010019	1/2" SPRING WASHER		04	04
54	0503010060	1/2 UNC G.5 ZN HEX NUT		04	04
55	0511060304	FRONT SUPPORT		10	11
56	0511060305	REAR SUPPORT		10	11
57	0521013678	FRONT CLEANER		10	11
58	0521013679	REAR CLEANER		10	11
59	0503012180	FRENCH 3/4" X 2 BOLT		40	44
60	0503010023	3/4" SPRING WASHER		40	44
61	0503012183	SNC 3/4" ZIN 1K03097 NUT		40	44
62	0503012195	5/8" NUT		40	44
63	0503010027	5/8" SPRING WASHER		52	56
64	0503010013	5/8" NUT		40	44
65	0521013774	GVMF LOCK		01	01
66	0501010108	5/8" X 1" BOLT		01	01
67	0501012140	FLAT WASHER		01	01
68	0521013904	PIN WITH HEAD PN-029		01	01
69	0503010038	3/16 X 2 COTTERPIN		01	01
70	0521013840	PIN SEM HEAD PN-064		01	01
71	0503031479	STAPLE		03	03
72	0531011362	PIN		03	03
73	0521013903	PIN		01	01
74	0503010010	1/4" X 2.1/2" COTTERPIN		02	02
75	0503012572	ADAPTOR		02	02
76	0521019128	3/4" NIPPLE		02	02
77	0503013171	SEALING		01	01
78	0501011543	5/8" X 4" BOLT		04	04
79	0511032895	BAG WITH INSTRUCTION MANUAL		00	01
80	0909091682	ASSY FRONT/REAR DISC GANG	21	20	22

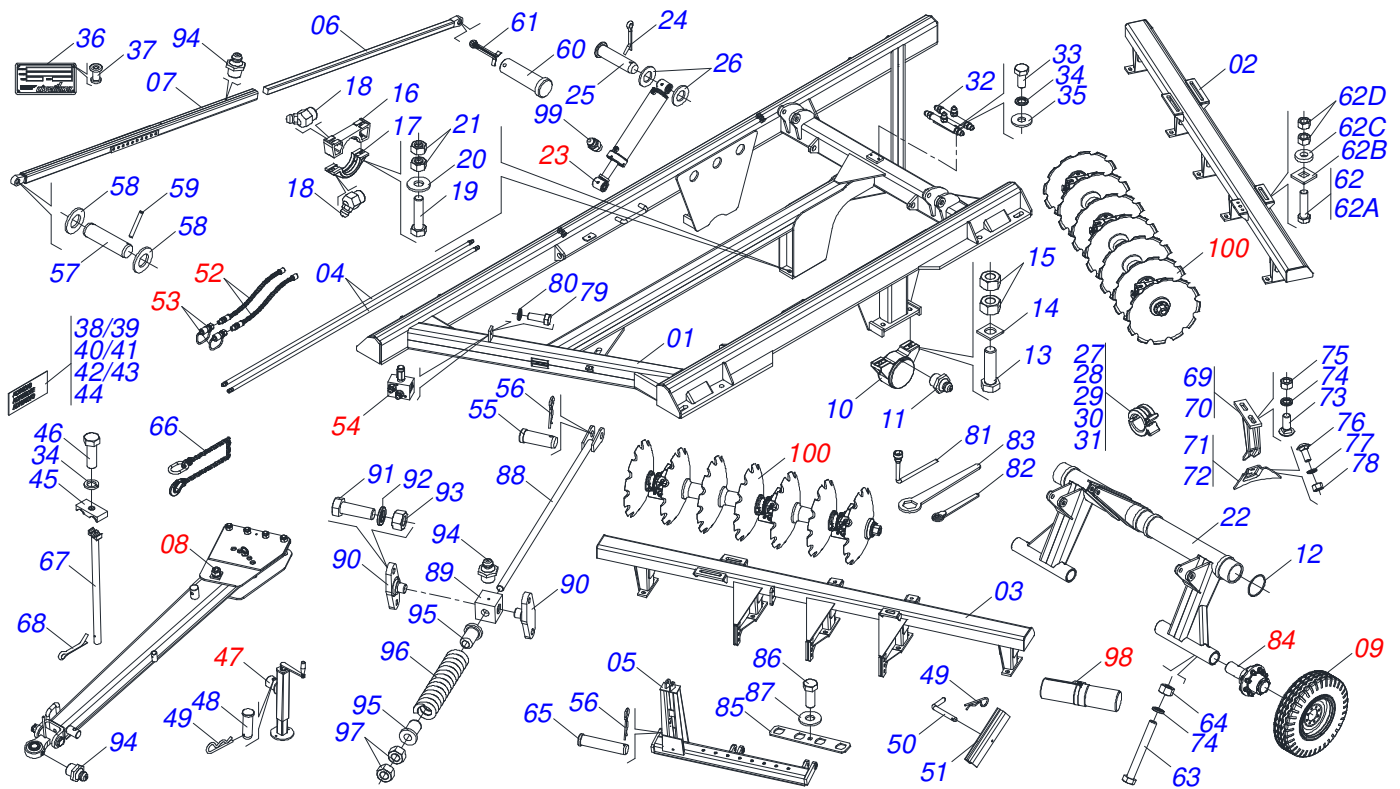




Item	Code	Description	See page	QT
01	0511062254	101,6 X 518 CYLINDER BARREL		01
02	0511062248	44,45 X 617 EXTENDER		01
03	0502010017	4" HEAD		01
04	0502010841	RING OF SUPPORT		01
05	0503010761	D-1750 SCRAPER RING		01
06	0503010990	GASKET		01
07	0503010949	W2-2000-500 PK RING G.E		01
08	0503011061	8-342 BACK-UP RING		01
09	0503010338	2-342 N 3006-9B O'RING		01
10	0503010345	2-218 N 3006-9B O'RING		01
11	0502010793	1.7" X 4" PISTON		01
12	0503010043	PACKING 3750-3250		02
13	0503010994	W2-4000-500 PK RING G.E		01
14	0503010044	1-1/4" SELF LOCKING NUT		01
15	0503030384	CON PLUG N-001		02



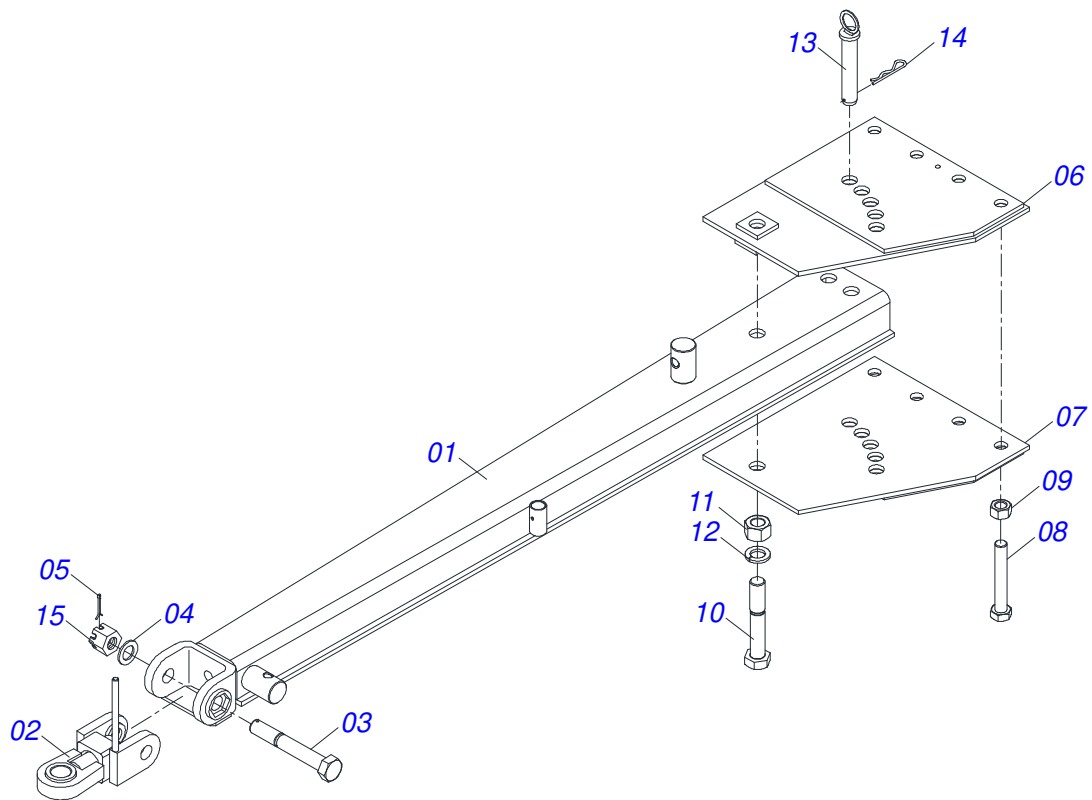
Item	Code	Description	See page	QT
01	0501080821	HOSE		02
02	0501080891	TC-TM HOSE ASSY		01
03	0501080737	TC-TM HOSE ASSY		01



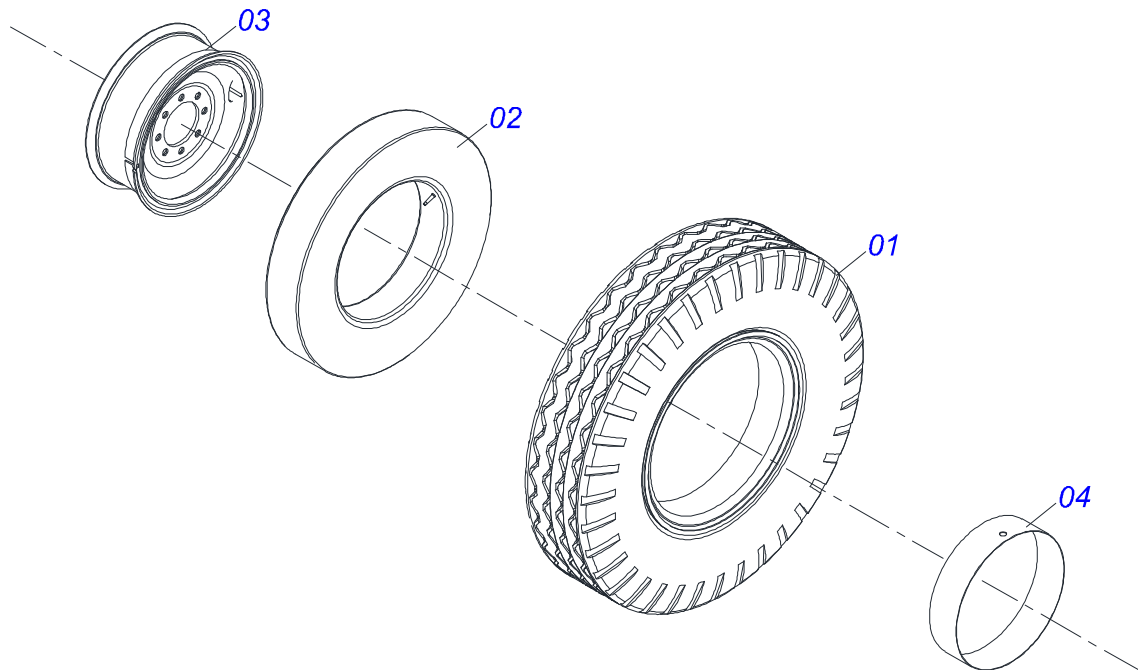
Item	Code	Description	See page	24	26
001	0531065481	FRAME		01	01
002	0531065577	REAR FRAME - 24D		01	00
002.	0531065496	REAR FRAME - 26D		00	01
003	0531065578	FRONT FRAME - 24D		01	00
003.	0531065495	FRONT FRAME - 26D		00	01
004	0531065516	OIL DISTRIBUTOR DUCT		02	02
005	0531065595	DISLOCATED DRAWBAR		01	00
005.	0531065480	DISLOCATED DRAWBAR		00	01
006	0531065571	EXTENSION		01	01
007	0511060296	STABILIZER BAR		01	01
008	0531044309	DRAWBAR	14	01	01
009	0503060213	35.4"X0.80"-14L WHEEL AND TIRE ASSY	15	04	04
010	0502011588	AXLE WHEEL BEARING		02	02
011	0503010002	1800 GREASE FITTING		02	02
012	0503012222	FELT RING		02	02
013	0503012325	BOLT		04	04
014	0521013740	WASHER SQUARE		04	04
015	0503010417	7/8" NUT		08	08
016	0502011725	UPPER BEARING SEMI		01	01
017	0502011724	INF BEARING SEMI		01	01
018	0503010003	1845 GREASE FITTING		04	04
019	0511016281	3/4" X 8" BOLT		02	02
020	0521013710	WASHER SEMIMAN		02	02
021	0503012183	SNC 3/4" ZIN 1K03097 NUT		04	04
022	0531065482	WHEEL AXLE WITH SLEEVE		01	01
023	0531044293	HYDRAULIC CYLINDER	16	02	02
024	0503010010	1/4" X 2.1/2" COTTERPIN		04	04
025	0551014099	COUPLING SHAFT 31,75 X 185		04	04
026	0501017779	32 X 60 X 4.75 FLAT WASHER		08	08
027	0501047886	ROD STOP		02	02
028	0501047887	ROD STOP		02	02

Item	Code	Description	See page	24	26
029	0501047885	ROD STOP		02	02
030	0501047888	ROD STOP		02	02
031	0501047895	ROD STOP		04	04
032	0501068706	DOUBLE CONNECTION		01	01
033	0503011338	7/16" X 1" BOLT		02	02
034	0503010180	7/16" SPRING WASHER		05	05
035	0501012803	FLAT WASHER		02	02
036	0503034004	ALUMINUM IDENTIFICATION LABEL		01	01
037	0503010001	3.2 X 5.5 RIVET		04	04
038	0503031738	ADHESIVE LABEL		01	01
039	0503034239	BADGE		02	02
040	0503031428	READ MANUAL DECAL		01	01
041	0503033038	DANGER SIGN		02	02
042	0503033647	APPROVED BADGE		01	01
043	0503031739	ADHESIVE LABEL		01	01
044	0503033241	CIVEMASA 100 X 400 BADGE		02	02
045	0502010477	HOSE CLAMP		03	03
046	0503012555	SCREW 7/16 UNC X 2 CS RT G.7 ZN		03	03
047	0511048088	DRAWBAR JACK	8	01	01
048	0561014251	COUPLING SHAFT		01	01
049	0503030012	HITCH PIN CLIP		03	03
050	0541016844	FIXER LOCK		02	02
051	0501218782	TRANSPORTATION LOCK		02	02
052	0531058406	HOSE SET	17	01	01
053	0501053834	MALE QUICK COUPLER	9	02	02
054	0521052191	RELIEF VALVE	18	01	01
055	0521013838	PIN WITH HEAD ROD PN-004		01	01
056	0503031470	TM 251 X 4,0 STAPLE		04	04
057	0501218880	HEADLESS PIN		01	01
058	0501017779	32 X 60 X 4.75 FLAT WASHER		02	02
059	0503011877	0.3" X 2.4" SPRING PIN		02	02
060	0521013904	PIN WITH HEAD PN-029		01	01
061	0503010038	3/16 X 2 COTTERPIN		01	01
062	0521040349	1-1/4" X 5.3/4" BOLT		09	09
062A	0501010954	1-1/4" X 5-3/4" BOLT		09	09
062B	0571010449	LOCK BOLT		09	09
062C	0571010448	32,50 X 75 X 16 SLEEVE		09	09
062D	0501010087	1.1/4" NUT		18	18
063	0503011198	C3/4" X 6" SCREW		04	04
064	0503010014	3/4" HEX NUT		04	04
065	0531011362	PIN		03	03
066	0503013150	1300 X 3/8 CHAIN		01	01
067	0511060205	SUPPORT HOSE CNS 20104N		01	01
068	0503012215	5/16" X 2-1/2" COTTERPIN		01	01
069	0511060304	FRONT SUPPORT		12	13
070	0511060305	REAR SUPPORT		12	13
071	0521013678	FRONT CLEANER		12	13
072	0521013679	REAR CLEANER		12	13
073	0503012180	FRENCH 3/4" X 2 BOLT		48	52
074	0503010023	3/4" SPRING WASHER		52	56
075	0503012183	SNC 3/4" ZIN 1K03097 NUT		48	52
076	0503012407	5/8" X 1-1/2" BOLT		48	52
077	0503010027	5/8" SPRING WASHER		48	52
078	0503010013	5/8" NUT		48	52
079	0503010237	3/8" X 1" BOLT		02	02
080	0503010025	3/8" SPRING WASHER		02	02
081	0503016137	1-1/4" WRENCH CABLE CYLINDER		01	01
082	0521062858	1.1/4" WRENCH NUT		01	01
083	0521013902	WRENCH NUT		02	02

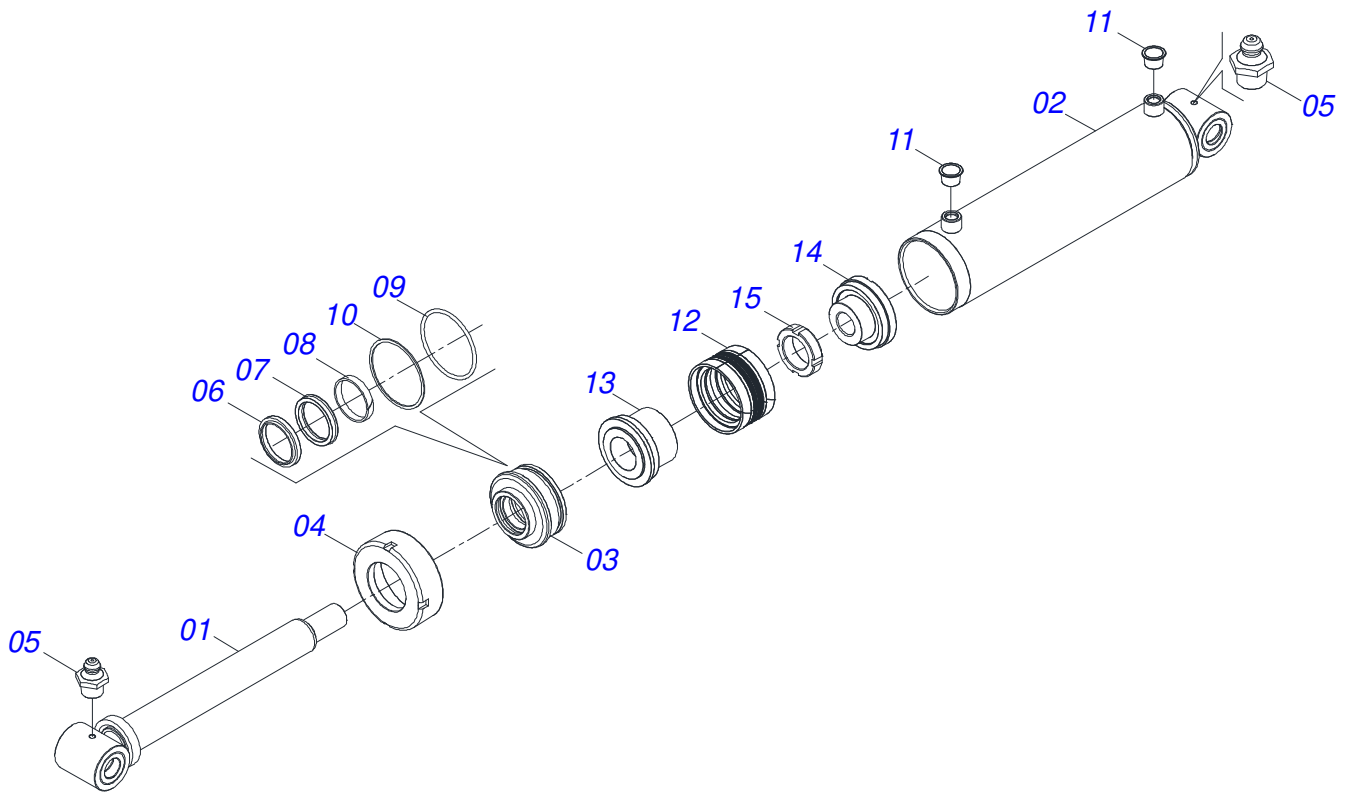
<b>Item</b>	<b>Code</b>	<b>Description</b>	<b>See page</b>	<b>24</b>	<b>26</b>
084	0521042030	WHEEL WITHOUT TIRE S-0514	19	04	04
085	0521013774	GVMF LOCK		01	01
086	0501010108	5/8" X 1" BOLT		01	01
087	0501012140	FLAT WASHER		01	01
088	0511060306	RIGHT SET JACK		01	01
089	0502011616	CROSSPIECE GVMF 60106A		01	01
090	0502011615	SUPPORT CROSS		02	02
091	0503010920	1/2 UNC X 1.1/2 C S G.5 ZN BOLT		04	04
092	0503010019	1/2" SPRING WASHER		04	04
093	0503010060	1/2 UNC G.5 ZN HEX NUT		04	04
094	0503010002	1800 GREASE FITTING		04	04
095	0502011582	SPINDLE GUIDE		02	02
096	0503031507	COMPRES SPRING		01	01
097	0503012182	1" NUT		02	02
098	0531058413	INSTRUCTION MANUAL CANISTER	20	01	01
099	0501010617	3/4" NIPPLE		04	04
100	0909091682	ASSY FRONT/REAR DISC GANG	21	24	26



Item	Code	Description	See page	QT
01	0531065504	DRAWBAR		01
02	0521068888	TRACTOR HITCH BODY		01
03	0521013739	BOLT HARNESS		01
04	0501012916	FLAT WASHER 38,50 X 66 X 4,75 ZN		01
05	0503010067	3/16" X 2.1/2" COTTER PIN		01
06	0511060301	PLATE HITCH		01
07	0511060302	PLATE HITCH		01
08	0503012192	1-1/4" X 8 BOLT		04
09	0503012181	1.1/4" NUT		04
10	0503012258	1-1/2" X 9" BOLT		01
11	0501010110	1.1/2" NUT		01
12	0503013627	1.1/2 SPRING WASHER		01
13	0511060146	PIN FIXER		01
14	0503031479	STAPLE		01
15	0502011592	CASTLE NUT		01

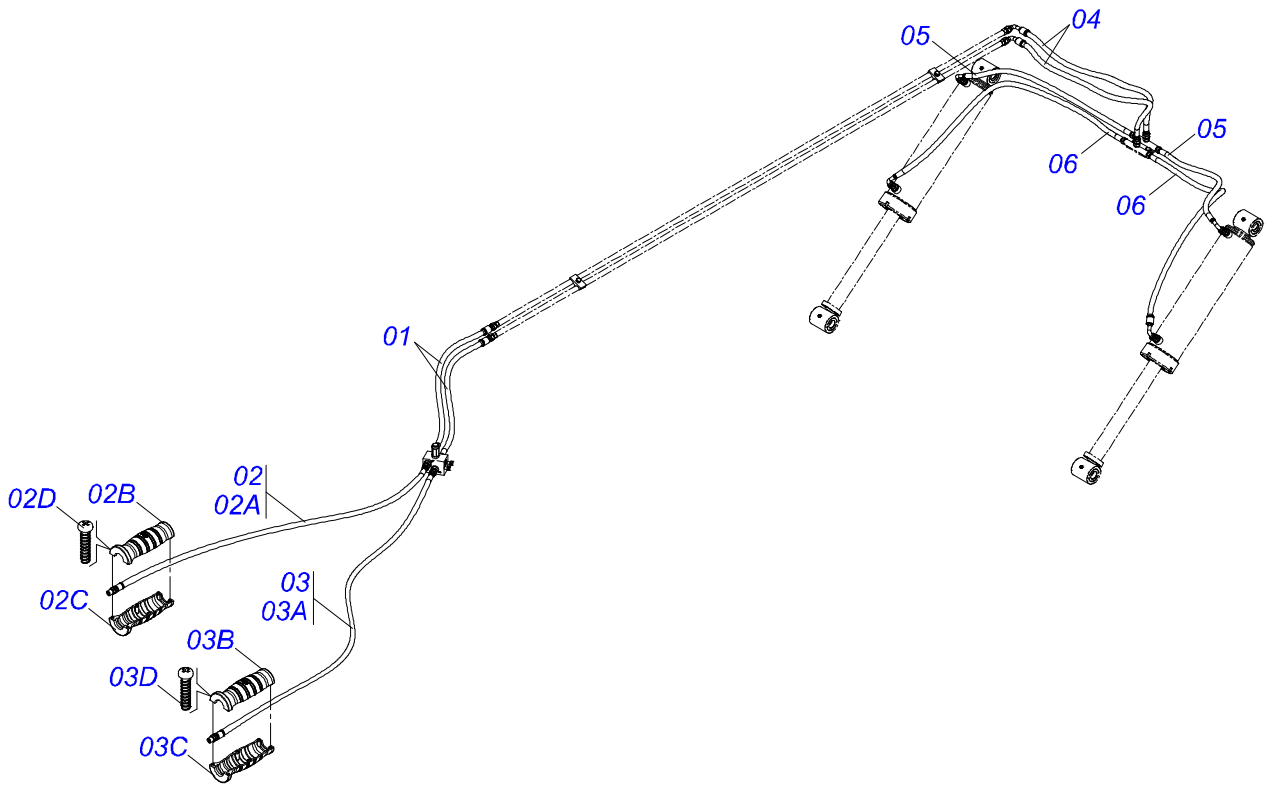


Item	Code	Description	See page	QT
01	0503010494	9.0LX 20" X 14 PLY, TIRE		01
02	0503010057	INNER TIRE		01
03	0501068263	2.6"X0.8"X6.0"X 8F0. 9"X8.0" WHEEL		01
04	0503010470	PROTECTION		01

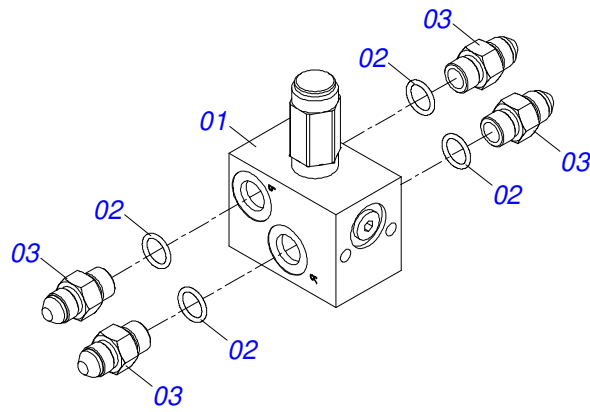


Item	Code	Description	See page	QT
01	0531065488	53,98 X 667 EXTENDER		01
02	0531065489	114,30 X 554 CYLINDER BARREL		01
03	0502012644	RING SUPPORT		01
04	0502011222	0.56" END CAP		01
05	0503010002	1800 GREASE FITTING		02
06	0503015715	SCRAPER SEALING		01
07	0503015642	U-CUP SEALING		01
08	0503015641	WEAR RING		01
09	0503011892	O' RING, 2-346 N 3006-9B		01
10	0503011893	BACK-UP RING, 8-346		01
11	0503030384	CON PLUG N-001		02
12	0503015640	SEALING SELEMASTER		01
13	0561016578	PISTON BODY		01
14	0581015283	BODY		01
15	0503819100	SCREW		01

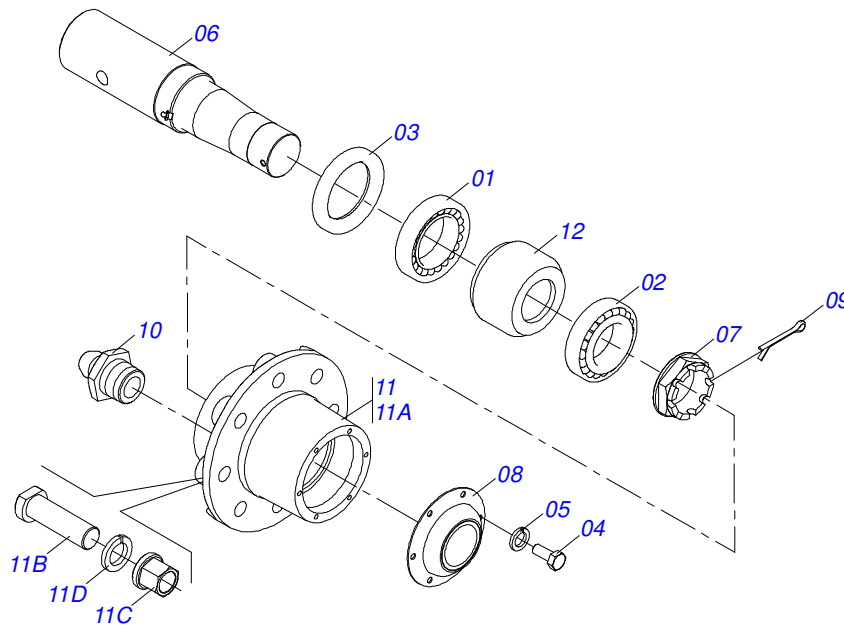




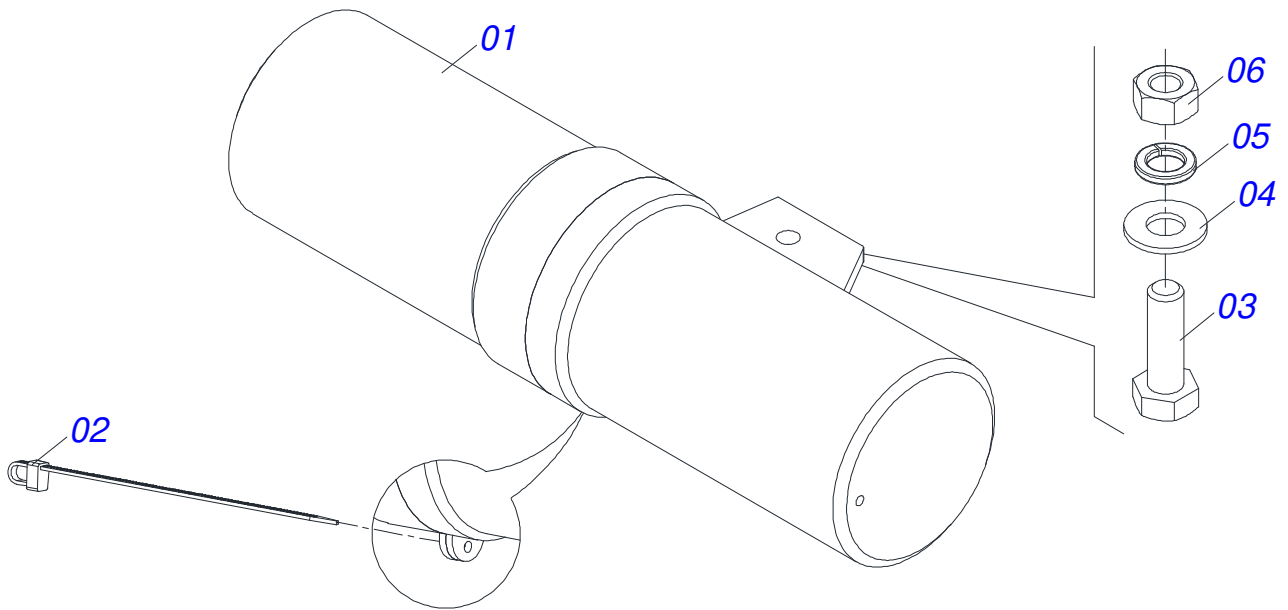
Item	Code	Description	See page	QT
01	0501080027	3/8" X 39,3" TR-TR HOSE ASSY		02
02	0521054047	3/8" X 303" TR-TM HOSE		01
02A	0501082211	3/8 X 7700 TR-TM HOSE		01
02B	0503034495	HYDRAULIC HOSE GRIP (RED)		01
02C	0503034492	HYDRAULIC HOSE GRIP (BLACK)		01
02D	0503018952	PLASTIC BOLT		06
03	0521054046	3/8" X 303" TR-TM HOSE		01
03A	0501082211	3/8 X 7700 TR-TM HOSE		01
03B	0503034492	HYDRAULIC HOSE GRIP (BLACK)		01
03C	0503018952	PLASTIC BOLT		06
03D	0503034494	HYDRAULIC HOSE GRIP (BLUE)		01
04	0501080485	3/8 X 1100 TR-TC HOSE		02
05	0501080249	3/8" X 33" TR-TC HOSE ASSY		02
06	0501082045	3/8 X 1250 TR-TC HOSE		02



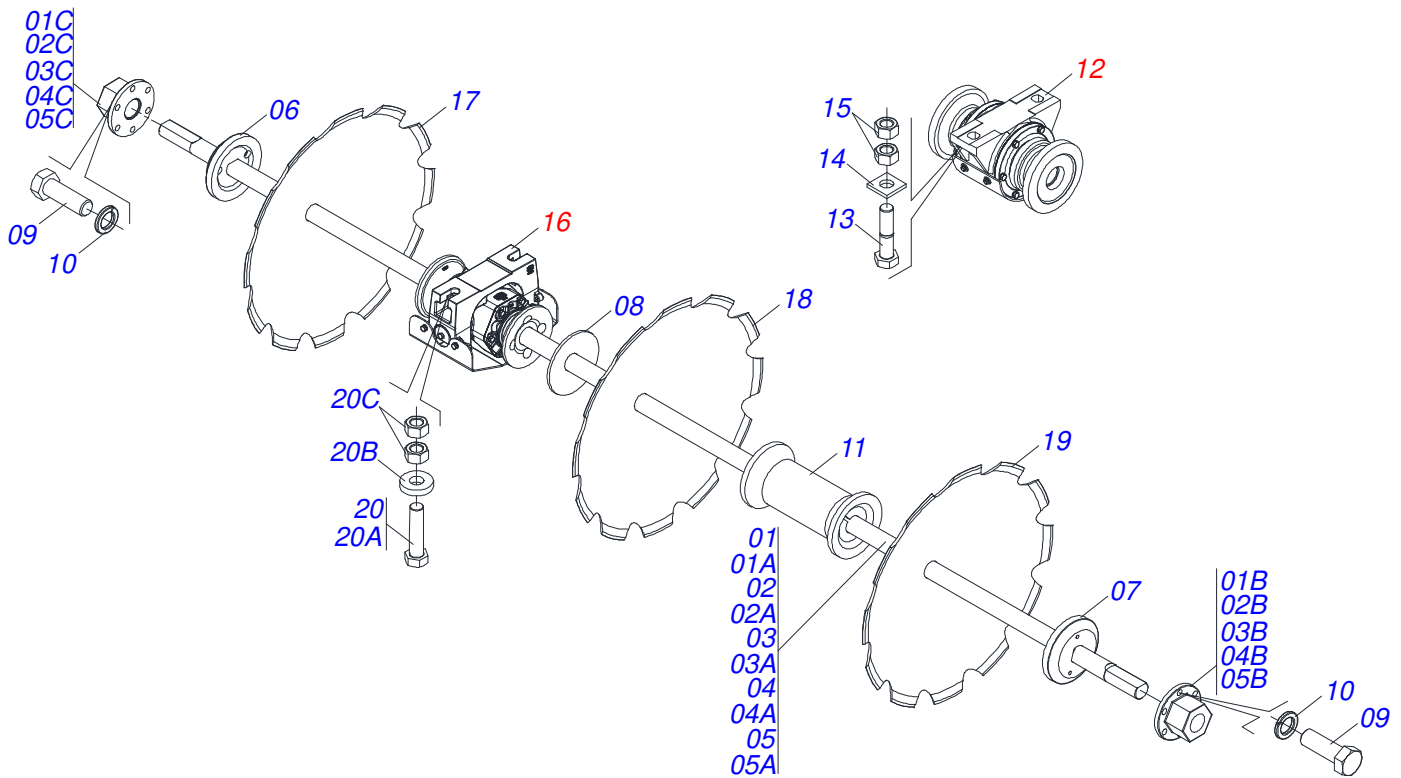
Item	Code	Description	See page	QT
001	0503010919	DISCHARGE VALVE		01
002	0503010190	2-114 N 3006-9B O'RING		04
003	0501010617	3/4" NIPPLE		04



Item	Code	Description	See page	QT
01	0503010059	33287/33462 ROLLER BEARING		01
02	0503010007	3982/3920 ROLLER BEARING		01
03	0503010050	SEAL 00085-B		01
04	0503010240	BOLT		06
05	0503011444	SPRING WASHER		06
06	0571013653	POINT AXIS 88,80 X 430		01
07	0502040080	FLANGE NUT R.2.1/2 UN		01
08	0541013225	WHEEL BOX COVER		01
09	0503012231	1/4" X 3" COTTERPIN		01
10	0503010002	1800 GREASE FITTING		01
11	0501110751	HUB AND SPINDLE WITH BOLT		01
11A	0502040522	HUB CARRYING-WHEELS		01
11B	0503011339	M22 X 1,5 X 72 BOLT		08
11C	0503011341	M22 X 0.6" NUT GR8		08
11D	0503011340	SPHERICAL SPRING WASHER		08
12	1882970002	GREASE SOAP		01

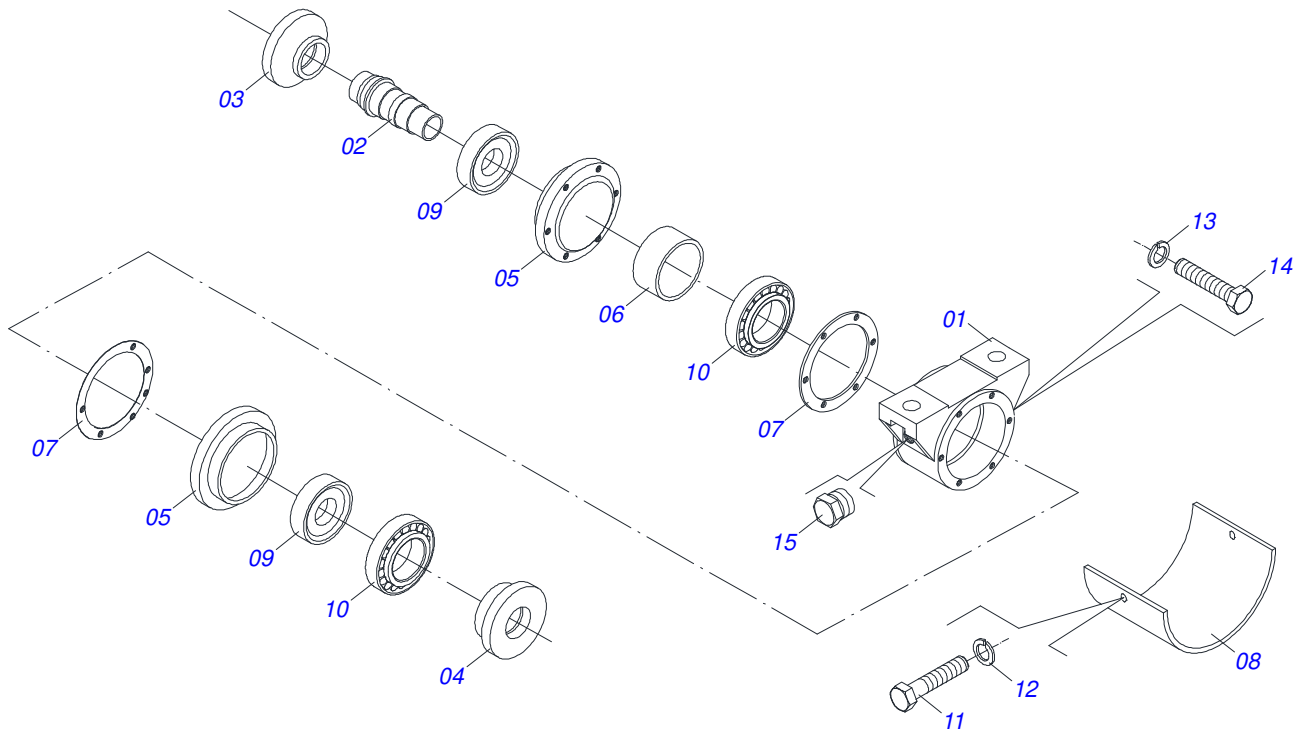


Item	Code	Description	See page	QT
01	0503060100	INSTRUCTIONS MANUAL CANISTER		01
02	0503010267	NYLON CLAMP		01
03	0503010363	BOLT 5/16 UNC X 1 C S G.2 ZN		01
04	0501010694	FLAT WASHER		01
05	0503010179	LOCK WASHER 5/16 ZN 1K01528		01
06	0503010337	5/16" NUT		01

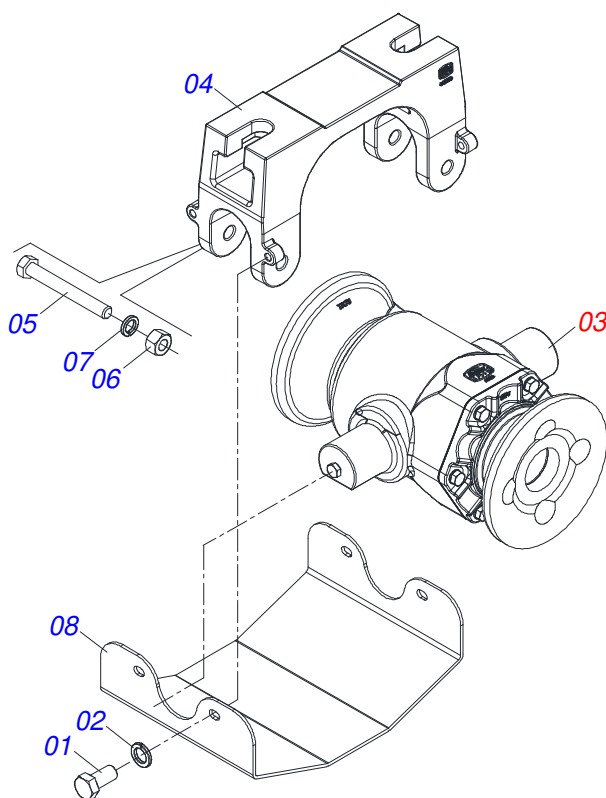


Item	Code	Description	See page	14	16	20	22	24	26
01	0501059684	2-1/2" X 3010 AXLE		02	00	00	00	00	00
01A	0521014883	AXLE DISC		01	00	00	00	00	00
01B	0502011659	GVP 50612AD 3452378 AXLE NUT		01	00	00	00	00	00
01C	0502011660	GVP 50612AE 3452387 AXLE NUT		01	00	00	00	00	00
02	0511050420	DISC AXLE WHIT NUT		00	04	00	00	00	00
02A	0502011660	GVP 50612AE 3452387 AXLE NUT		00	01	00	00	00	00
02B	0521014224	AXLE DISC		00	01	00	00	00	00
02C	0502011659	GVP 50612AD 3452378 AXLE NUT		00	01	00	00	00	00
03	0511050263	DISC AXLE WHIT NUT		00	00	04	02	02	00
03A	0521013899	DISC AXLE		00	00	01	01	01	00
03B	0502011659	GVP 50612AD 3452378 AXLE NUT		00	00	01	01	01	00
03C	0502011660	GVP 50612AE 3452387 AXLE NUT		00	00	01	01	01	00
04	0511050284	DISC AXLE WHIT NUT		00	00	00	02	00	02
04A	0521013939	DISC AXLE		00	00	00	01	00	01
04B	0502011659	GVP 50612AD 3452378 AXLE NUT		00	00	00	01	00	01
04C	0502011660	GVP 50612AE 3452387 AXLE NUT		00	00	00	01	00	01
05	0501059684	2-1/2" X 3010 AXLE		00	00	00	00	02	02
05A	0521014883	AXLE DISC		00	00	00	00	01	01
05B	0502011659	GVP 50612AD 3452378 AXLE NUT		00	00	00	00	01	01
05C	0502011660	GVP 50612AE 3452387 AXLE NUT		00	00	00	00	01	01
06	0502011669	OUTER FLANGE		02	04	04	04	04	04
07	0502011670	INNER FLANGE		02	04	04	04	04	04
08	0521013900	CHOCK GVP 50150		04	04	04	08	10	10
09	0503010920	1/2 UNC X 1.1/2 C S G.5 ZN BOLT		08	16	16	16	12	12
10	0503010019	1/2" SPRING WASHER		08	16	16	16	12	12
11	0502011664	SPACER		06	04	08	10	10	12
12	0501048621	OIL BEARING	22	06	08	08	08	00	00
13	0503012564	1-1/4" X 5-1/4" BOLT		12	16	25	25	00	00
14	0521013901	WASHER		12	16	34	34	00	00
15	0503012181	1.1/4" NUT		24	32	50	50	00	00
16	0531041587	430 X 2.1/2 BEARING WITH PROTECTION SUPPORT	23	00	00	00	00	10	10

Item	Code	Description	See page	14	16	20	22	24	26
17	0602050016	38 X 12 NOTCHED DISC BLADE		00	00	00	00	24	26
17.	0602048062	36 X 12MM NOTCHED DISC		14	16	20	22	24	26
18	0602046002	34" X 0.5" NOTCHED DISC BLADE		00	00	00	22	24	26
19	0602046001	34" X 0.3" NOTCHED DISC BLADE		00	00	20	00	00	00
20	0531040741	ASSY 1.1/4 UNC X 5 BOLT		00	00	00	00	20	20
20A	0503011347	1.1/4" X 5" BOLT		00	00	00	00	20	20
20B	0571010448	32,50 X 75 X 16 SLEEVE		00	00	00	00	20	20
20C	0503012181	1.1/4" NUT		00	00	00	00	40	40

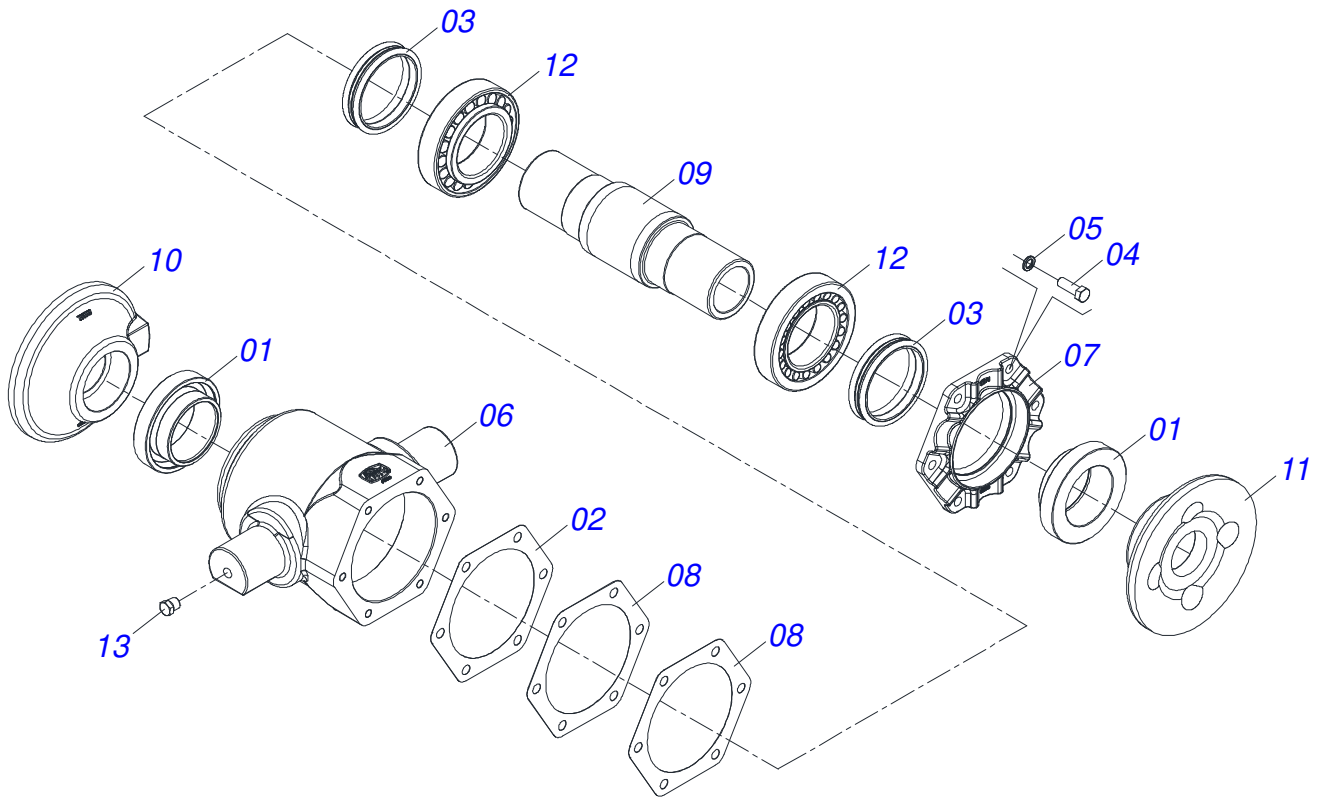


Item	Code	Description	See page	QT
01	0502011811	MR-451 3503106 BODY		01
02	0502011704	CENTER DEARIN		01
03	0502011701	WASHER CONCAVE		01
04	0502011702	WASHER CONVEX		01
05	0502011677	BEARING COVER		02
06	0502011693	SPACER		01
07	0503031499	JOINT BEARIN		02
08	0521014353	PLATE PROTECTION		01
09	0503012484	RETAINER		02
10	0503012709	6222 C3 ROLLER BEARING		02
11	0503011334	BOLT 3/8 UNC X 3/4 CS G.5 ZN		02
12	0503010025	3/8" SPRING WASHER		02
13	0503010019	1/2" SPRING WASHER		12
14	0503010920	1/2 UNC X 1.1/2 C S G.5 ZN BOLT		12
15	0503031604	1/2" BSP PLUG		01



Item	Code	Description	See page	QT
01	0503010834	1/2 X 1 BOLT		04
02	0503010019	1/2" SPRING WASHER		04
03	0531052867	430 X 2.1/2 BEARING	24	01
04	0502013003	2.3/4 BEARING SUPPORT		01
05	0503011198	C3/4" X 6" SCREW		02
06	0503010014	3/4" HEX NUT		02
07	0503010023	3/4" SPRING WASHER		02
08	0501213896	BEARING COVER		01





Item	Code	Description	See page	QT
01	0502040119	SEAL RETAINER		02
02	0503035599	205 X 160,5 X 0,20 SEAL GASKET		01
03	0503030029	RETAINER LP JB-259		02
04	0503010920	1/2 UNC X 1.1/2 C S G.5 ZN BOLT		06
05	0503011440	SPRING WASHER		06
06	0502013002	BEARING HUB		01
07	0502013005	BEARING HUB LID		01
08	0503035600	205 X 160,5 X 0,40 SEAL GASKET		02
09	0502040039	AXLE		01
10	0502040165	INNER FLANGE		01
11	0502040164	OUTER FLANGE		01
12	0503010118	32218 BEARING		02
13	0503010856	OIL PLUG		02





***civemasa***

**Technical Publications | Elaboration and Revision**

JOSÉ DOMINGOS GASPARI

[www.civemasa.com.br](http://www.civemasa.com.br)

