

DISK PLOW

AFCL

Code: 0501091661
Series: S-0404
Revision: 00
Revision Date: FEVEREIRO/2014

PARTS CATALOGUE

CIVEMASA

PRODUCTS

Code	Description	
0120680005	AFCL 3 X 26 X 4,75 S/R	61220047
0120680013	AFCL 3 X 26 X 6,00 S/R	61220139
0120680006	AFCL 3 X 28 X 6,00 C/R	61220101
0120680007	AFCL 3 X 28 X 6,00 S/R	61220074
0120680008	AFCL 4 X 26 X 4,75 C/R	61220019
0120680009	AFCL 4 X 26 X 4,75 S/R	61220056
0120680014	AFCL 4 X 26 X 6,00 C/R	61220148
0120680003	AFCL 4 X 28 X 6,00 C/R	61220110
0120680002	AFCL 4 X 28 X 6,00 S/R	61220083
0120680010	AFCL 5 X 26 X 4,75 C/R	61220038
0120680015	AFCL 5 X 26 X 6,00 C/R	61220157
0120680012	AFCL 5 X 28 X 6,00 C/R	61220129
0120680001	AFCL 5 X 28 X 6,00 S/R	61220092

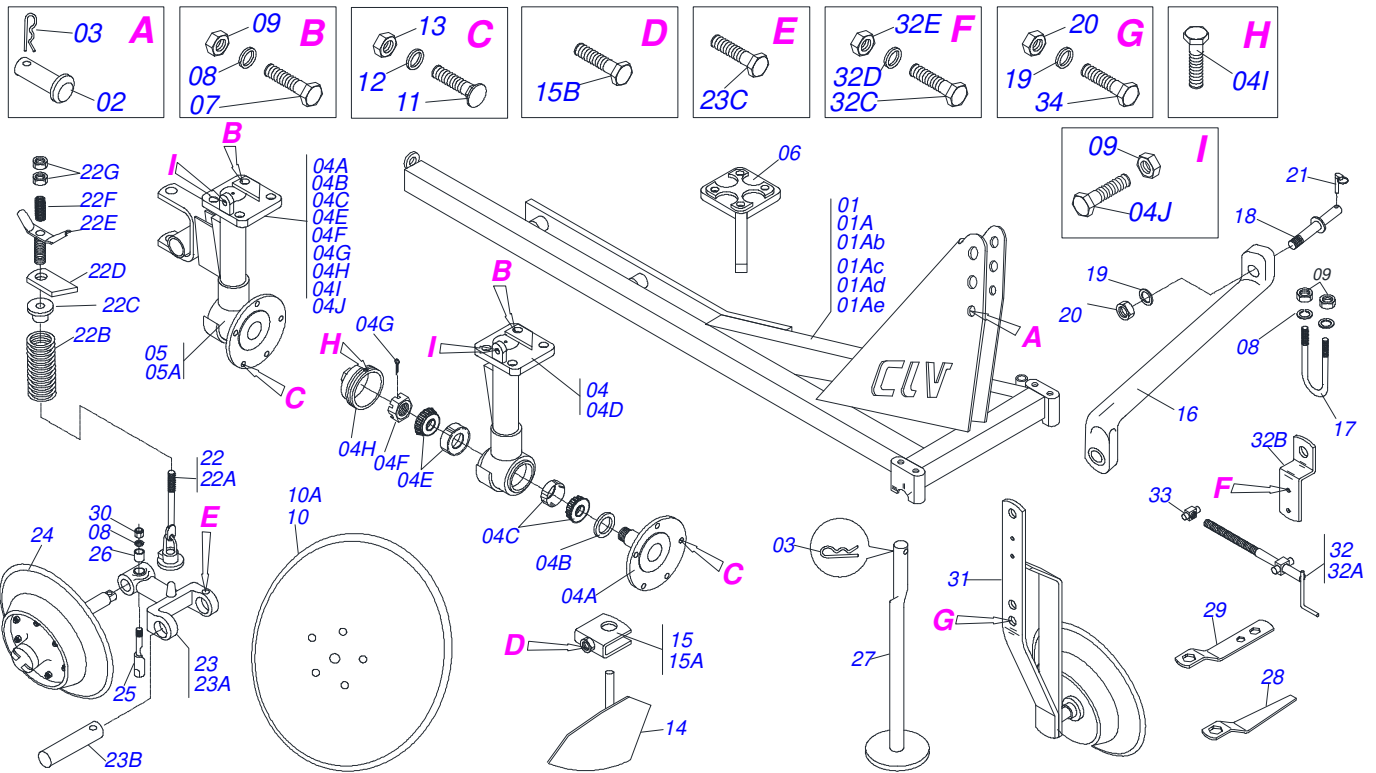
ATTENTION: IMPORTANT

CIVEMASA reserves the right to improve and/or modify the technical features of its products, without obligation to do the same with those products already sold and without prior knowledge of the dealer or the customer. The photos are only illustrative.



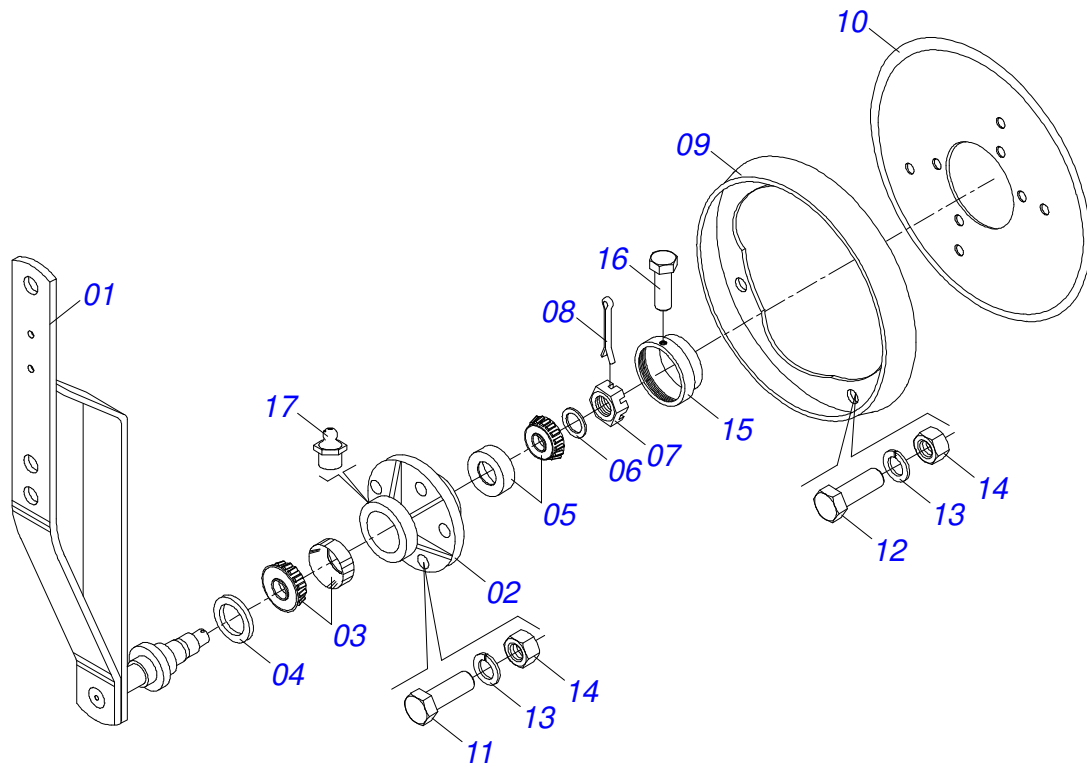
INDEX

0909090340	AFCL	1
0501040004	DEPTH WHEEL	2
0501040003	FURROW WHEEL	3
0501051553	DISC HUB ASSY	4

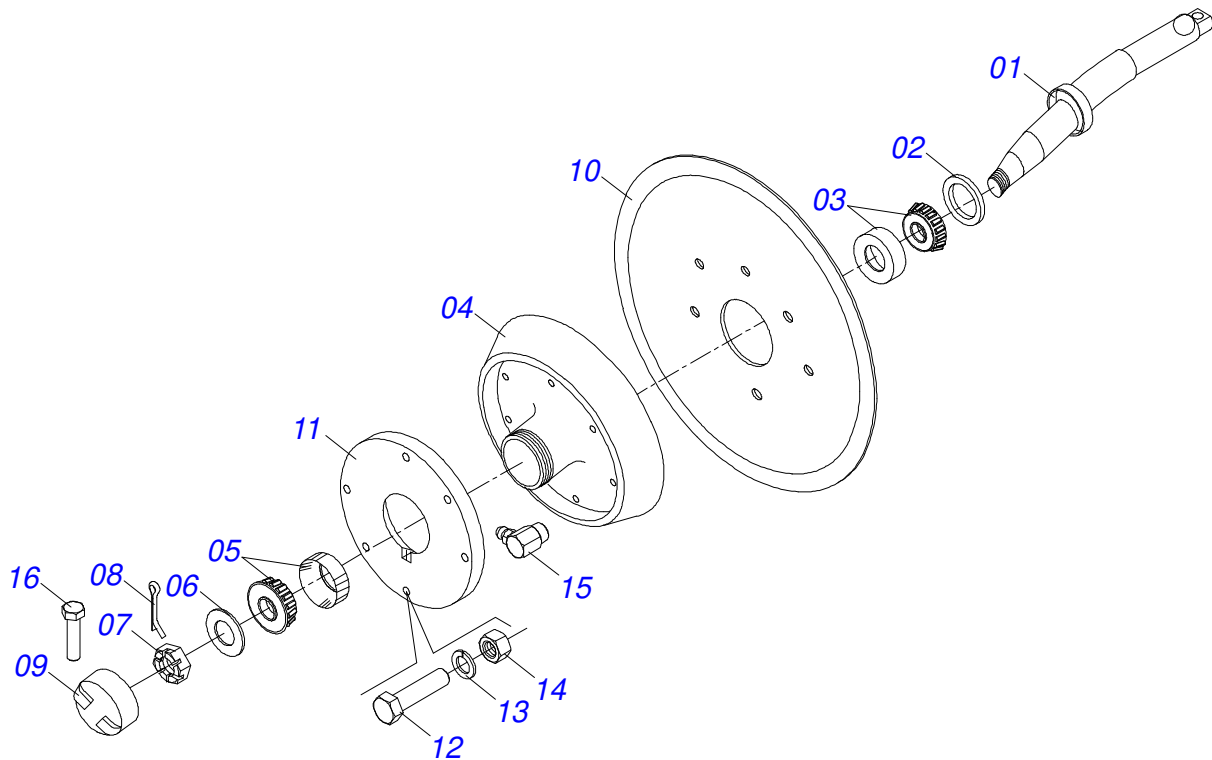


Item	Code	Description	See page	03	04	05
01	0521063320	FRAME AFCL3 C/R		01	00	00
01A	0521063318	FRAME AFCL4 C/R		00	01	00
01Ab	0521063314	FRAME AFCL5 C/R		00	00	01
01Ac	0521063319	FRAME AFCL3 S/R		01	00	00
01Ad	0521063317	FRAME AFCL S/R		00	01	00
01Ae	0521063316	FRAME AFCL5 S/R		00	00	01
02	0521010579	COUPLING SHAFT		01	01	01
03	0503031035	HITCH PIN CLIP		02	02	02
04	0501046493	FRONT PLOUGH SUPPORT WITH HUB		02	03	04
04A	0502040091	DISC DISH FOR AF		02	03	04
04B	0503011866	SEAL 00573-B WITH HOLE		02	03	04
04C	0503010005	32212 ROLLER BEARING		02	03	04
04D	0501061379	FRONT/CENTRAL POUGH SUPPORT		02	03	04
04E	0503010006	32210 ROLLER BEARING		02	03	04
04F	0501010888	1.3/4" 2.5/16" CASTLE NUT		02	03	04
04G	0503010010	1/4" X 2.1/2" COTTERPIN		02	03	04
04H	0502020597	COVER		02	03	04
04I	0503010011	5/16" X 1/2" BOLT		01	01	01
04J	0501018246	3/4" X 3" BOLT		02	03	04
05	0501046494	REAR PLOUGH SUPPORT WITH HUB		01	01	01
05A	0501061380	REAR PLOUGH SUPPORT WITH HUB		02	03	04
06	0502010625	FIXER PLATE PLOUGH SUPPORT		03	04	05
07	0501011545	3/4" X 6-1/2" BOLT		12	16	20
08	0503010023	3/4" SPRING WASHER		17	21	25
09	0503010014	3/4" HEX NUT		19	24	30
10	0601036001	24"X 0.2" PLAIN DISC BLADE		03	04	05
10A	0601039002	28" X 0.2" PLAIN DISC BLADE		03	04	05
11	0503012956	1/2" X 1-1/2" BOLT		15	20	25
12	0503010019	1/2" SPRING WASHER		15	20	25
13	0503010020	1/2"NUT		15	20	25
14	0501060028	DISC SCRAPER		03	04	05

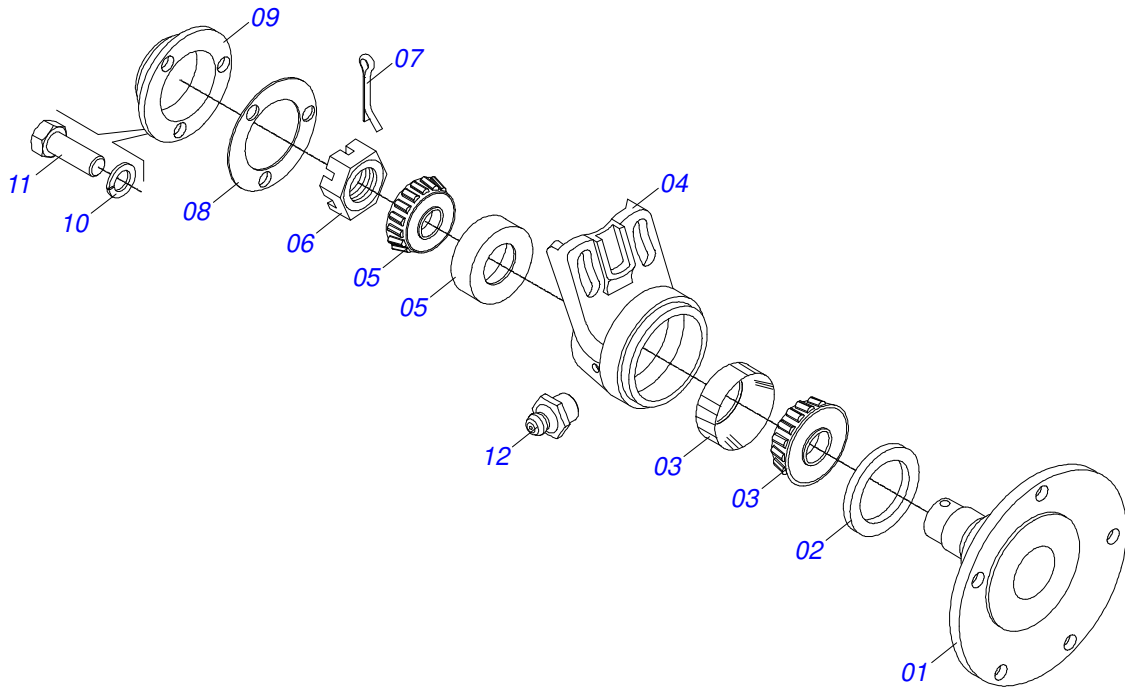
Item	Code	Description	See page	03	04	05
15	0501040025	SCRAPER U BOLT WITH NUT		03	04	05
15A	0501060029	U BOLT WITH NUT		03	04	05
15B	0503010232	5/8" X 1.3/4" BOLT		03	04	05
16	0501018063	36" CRANKSHAFT		01	01	01
17	0521010661	3/4" X 7.1" X 2.7" FASTENER		02	02	02
18	0521010635	2" X 5.7" COUPLING SHAFT		02	02	02
19	0503010012	1" SPRING WASHER		03	03	03
20	0503010340	1" NUT		02	02	02
21	0503030430	7/16 X 2" PIN LOCK		02	02	02
22	0501040565	ADJUSTER ASSY		01	01	01
22A	0501069015	LOWER REGULATOR SPRING		01	01	01
22B	0503030441	12.7" X 5.7" X 0.5"SPRING		01	01	01
22C	0502040302	SPRING SUPPORT		01	01	01
22D	0501010190	LOCK LOCKNUT		01	01	01
22E	0501060027	REGULATOR BOLT		01	01	01
22F	0503030008	101" X 1"X0.1" COMPRESSSION SPRING		01	01	01
22G	0503010013	5/8 NUT		02	02	02
23	0501040564	FORK ASSY		01	01	01
23A	0502040003	FORK		01	01	01
23B	0501017548	PIVOT SHAFT		01	01	01
23C	0501010161	1/2" X 1.1/4" BOLT		01	01	01
24	0501040003	FURROW WHEEL	3	01	01	01
25	0501010007	FURROW WHEEL SHAFT LOCK		01	01	01
26	0521010679	SLEEVE LOCK		01	01	01
27	0501062412	PLOUGH SUPPORT 725		01	01	01
28	0501010198	1-1/4" CABLE FLAT WRENCH		01	01	01
29	0501010095	5/8" X 3/4" X 1" UNIVERSAL WRENCH		01	01	01
30	0503010024	3/4" UNF 1 DOUBLE NUT		01	01	01
31	0501040004	DEPTH WHEEL	2	01	01	01
32	0501040562	CRANK FOR DEPTH CTRL WHEEL		01	01	01
32A	0501060041	CRANK		01	01	01
32B	0501010010	CRANK SUPPORT		01	01	01
32C	0501010080	3/8" BOLT		04	04	04
32D	0503010025	3/8 SPRING WASHER		04	04	04
32E	0503010026	3/8" NUT		04	04	04
33	0502020013	ADJUSTMENT NUT		01	01	01
34	0501010060	1" X 6-1/2" BOLT		01	01	01



Item	Code	Description	See page	QT
01	0501061400	SUPPORT		01
02	0502020620	CARRYING WHEEL HUB		01
03	0503010016	BEARING LM		01
04	0503010278	SEAL		01
05	0503010022	BEARING LM		01
06	0501010076	FLAT WASHER		01
07	0503030010	7/8" CASTLE NUT		01
08	0503010018	5/32 X 1-1/2 COTTERPIN		01
09	0502020010	ROD STOP		02
10	0603025003	18"X 0.2" PLAIN COULTER BLADE		01
11	0503010238	BOLT 1/2 UNC X 1.3/4 CS G.2 ZN		04
12	0501010063	1/2" X 1-1/2" BOLT		04
13	0503010019	1/2" SPRING WASHER		04
14	0503010060	1/2 UNC G.5 ZN HEX NUT		04
15	0502020589	COVER		01
16	0503010011	5/16" X 1/2" BOLT		01
17	0503010002	1800 GREASE FITTING		01



Item	Code	Description	See page	QT
01	0501110021	FURROW WHEEL SHAFT		01
02	0503010528	SEAL # 00838-B		01
03	0503010015	BEARING LM 501349/501314		01
04	0502020612	DISC HUB		01
05	0503010016	BEARING LM		01
06	0501010065	1" SPRING WASHER		01
07	0503030009	1" CASTLE NUT		01
08	0503010018	5/32 X 1-1/2 COTTERPIN		01
09	0502020589	COVER		01
10	0603027002	20" X 0.2" PLAIN DISC BLADE		01
11	0502020021	COUNTERBALANCE		01
12	0501011536	1/2" X 2-3/4" BOLT		06
13	0503010019	1/2" SPRING WASHER		06
14	0503010060	1/2 UNC G.5 ZN HEX NUT		06
15	0503010002	1800 GREASE FITTING		01
16	0503010011	5/16" X 1/2" BOLT		01



Item	Code	Description	See page	QT
01	0502040091	DISC DISH FOR AF		01
02	0503011866	SEAL 00573-B WITH HOLE		01
03	0503010005	32212 ROLLER BEARING		01
04	0502011276	DISC HUB		01
05	0503010006	32210 ROLLER BEARING		01
06	0501010888	1.3/4" 2.5/16" CASTLE NUT		01
07	0503010010	1/4" X 2.1/2" COTTERPIN		01
08	0503030227	4.8" X 3.5" X 0.02" JOINT		01
09	0502040715	COVER		01
10	0503010179	LOCK WASHER 5/16 ZN 1K01528		03
11	0503010240	BOLT		03
12	0503010002	1800 GREASE FITTING		01



civemasa

Technical Publications | Elaboration and Revision

ALESSANDRA PATRICIA KAWAHARA CARRILI

www.civemasa.com.br

