

**HOIST MOUNTED TYPE**

## GCAG 1200

**Code:** 0501091656  
**Series:** S-0210  
**Revision:** 00  
**Revision Date:** MARÇO/2016

# PARTS CATALOGUE

***CIVEMASA***

A solid orange horizontal bar at the top left of the page.

# PRODUCTS

Code	Description
0407010046	GATG 1200 C/PN 750 VALV SEG S-0210
0407010037	GATG 1200 C/PN VALV SEG S-0210

## ATTENTION: IMPORTANT

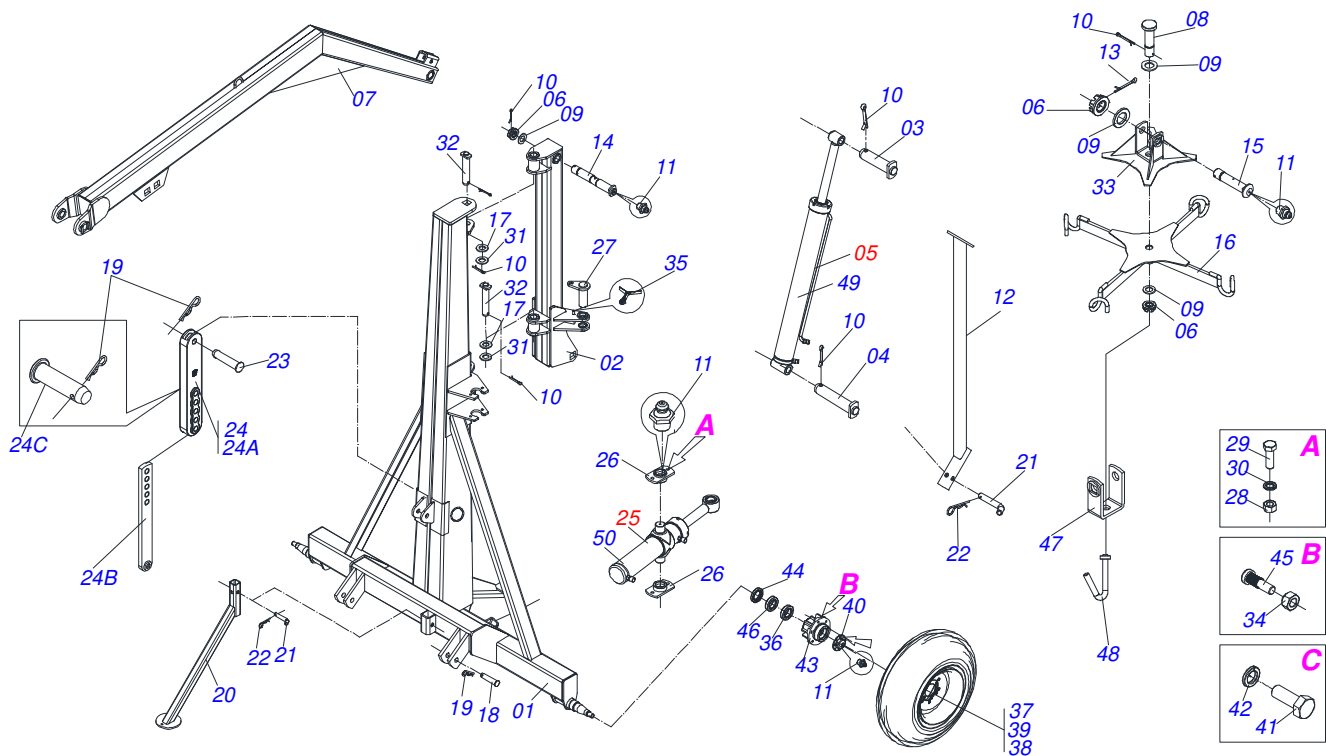
CIVEMASA reserves the right to improve and/or modify the technical features of its products, without obligation to do the same with those products already sold and without prior knowledge of the dealer or the consumer. The photos are only illustrative.



# INDEX

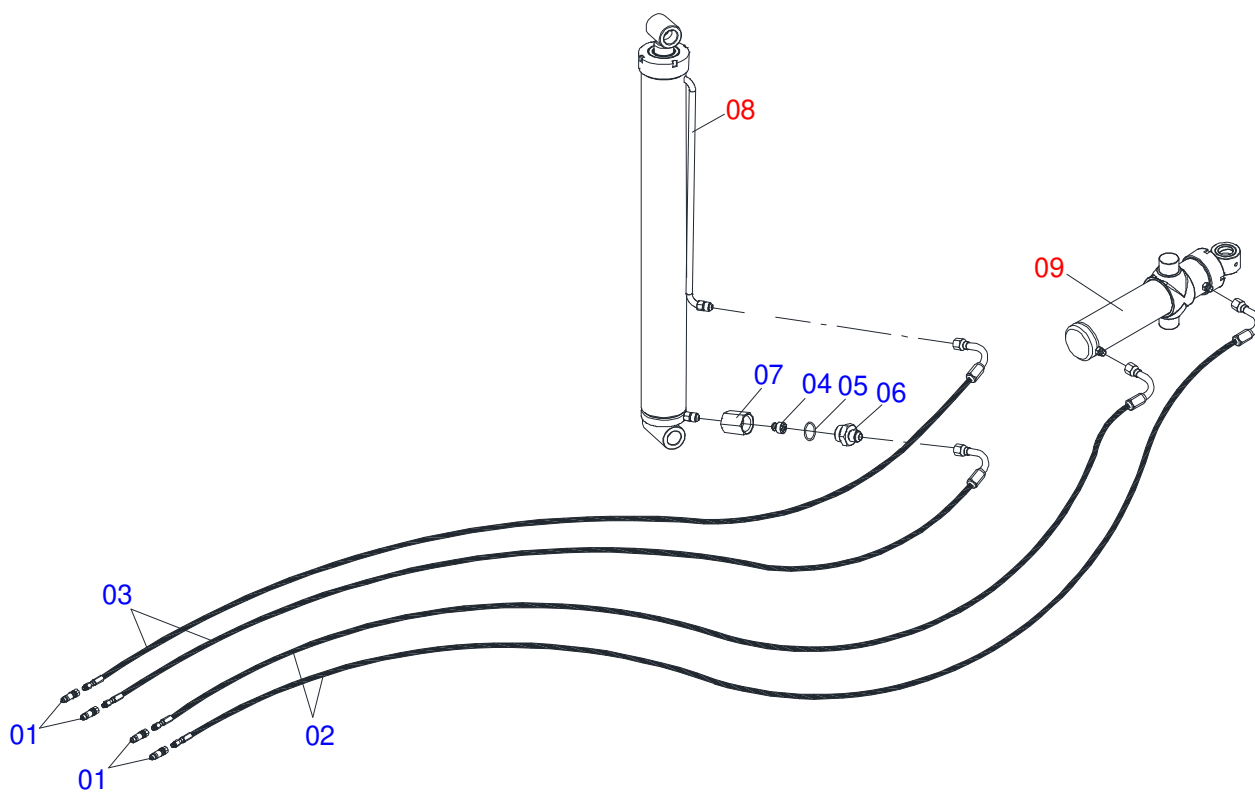
0909092885	GATG 1200	.....	1
0909093252	HYDRAULIC CIRCUIT	.....	2
0511048829	HYDRAULIC CYLINDER 44,45 X 85,7 X 205 X 322	.....	3
0511048828	HYDRAULIC CYLINDER 50,8 X 101,6 X 1140 X 882	.....	4



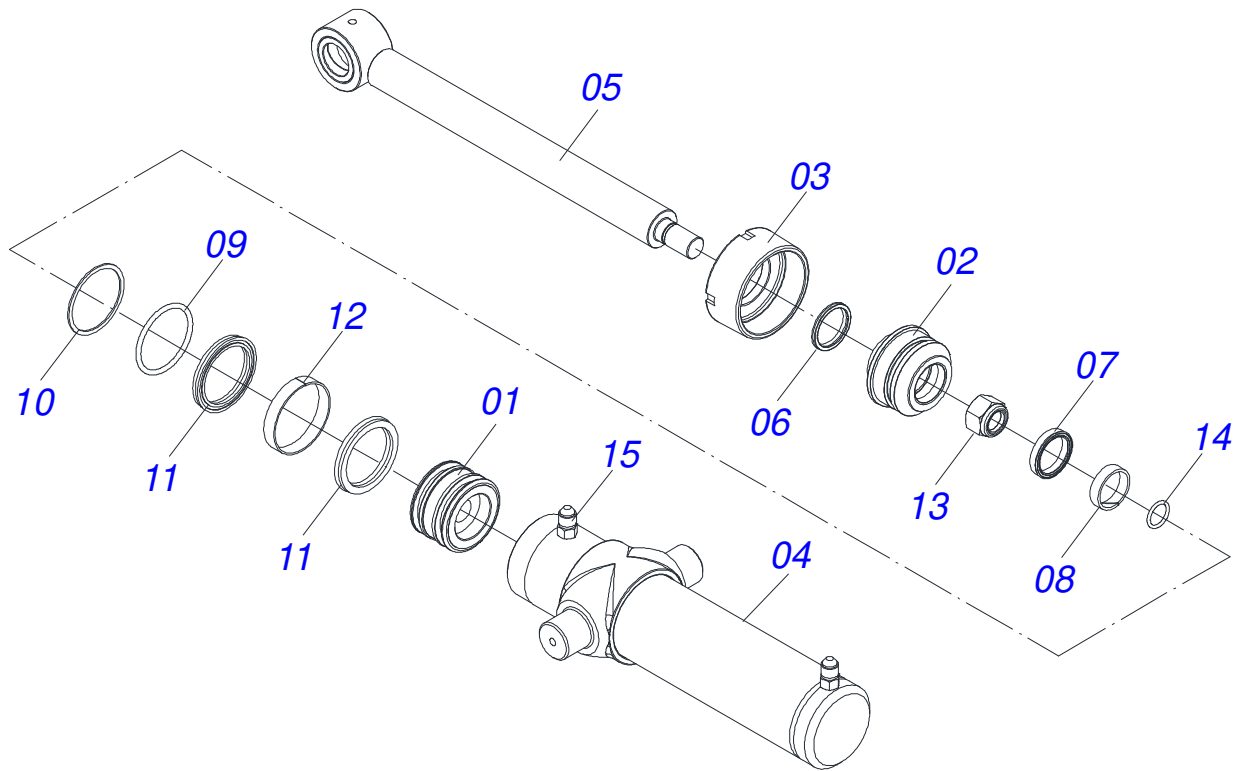


Item	Code	Description	See page	QT
01	0521061310	TOWER		01
02	0521061767	SWIVEL TOWER		01
03	0521063226	COUPLING SHAFT		01
04	0521063227	COUPLING SHAFT		01
05	0511048828	HYDRAULIC CYLINDER 50,8 X 101,6 X 1140 X 882	4	01
06	0501011301	1.1/2 UNC 6FPP 2.5/16 NUT		03
07	0521060319	CHARGING BAR		01
08	0521010555	1-1/2" X 5.5" COUPLING SHAFT		01
09	0501012916	FLAT WASHER 38,50 X 66 X 4,75 ZN		02
10	0503010073	3/8 X 3-1/2 COTTERPIN		04
11	0503010002	1800 GREASE FITTING		07
12	0521064328	PLOUGH SUPPORT		01
13	0503010010	1/4" X 2.1/2" COTTERPIN		03
14	0521062101	PIVOT SHAFT		01
15	0521012828	1.5" X 6.8" PIVOT SHAFT		01
16	0521060235	CROSSPIECE		01
17	0551012215	FLAT WASHER		02
18	0521010596	COUPLING SHAFT		02
19	0503031035	HITCH PIN CLIP		03
20	0521060304	PLOUGH SUPPORT FRONT		01
21	0501011075	PIN		02
22	0503030012	HITCH PIN CLIP		02
23	0521010579	COUPLING SHAFT		01
24	0521040658	ADJUSTMENT BAR		01
24A	1902012380	3P ADJUSTMENT BAR GUIDES		01
24B	0511065014	ADJUSTMENT BAR		01
24C	0521010575	C0.9" X 3.3" COUPLING SHAFT		01
25	0511048829	HYDRAULIC CYLINDER 44,45 X 85,7 X 205 X 322	3	01
26	0511061810	HYDRAULIC CYLINDER FIXING FLANGE		02
27	0521062127	PIVOT SHAFT		01
28	0503010060	1/2" NUT		04

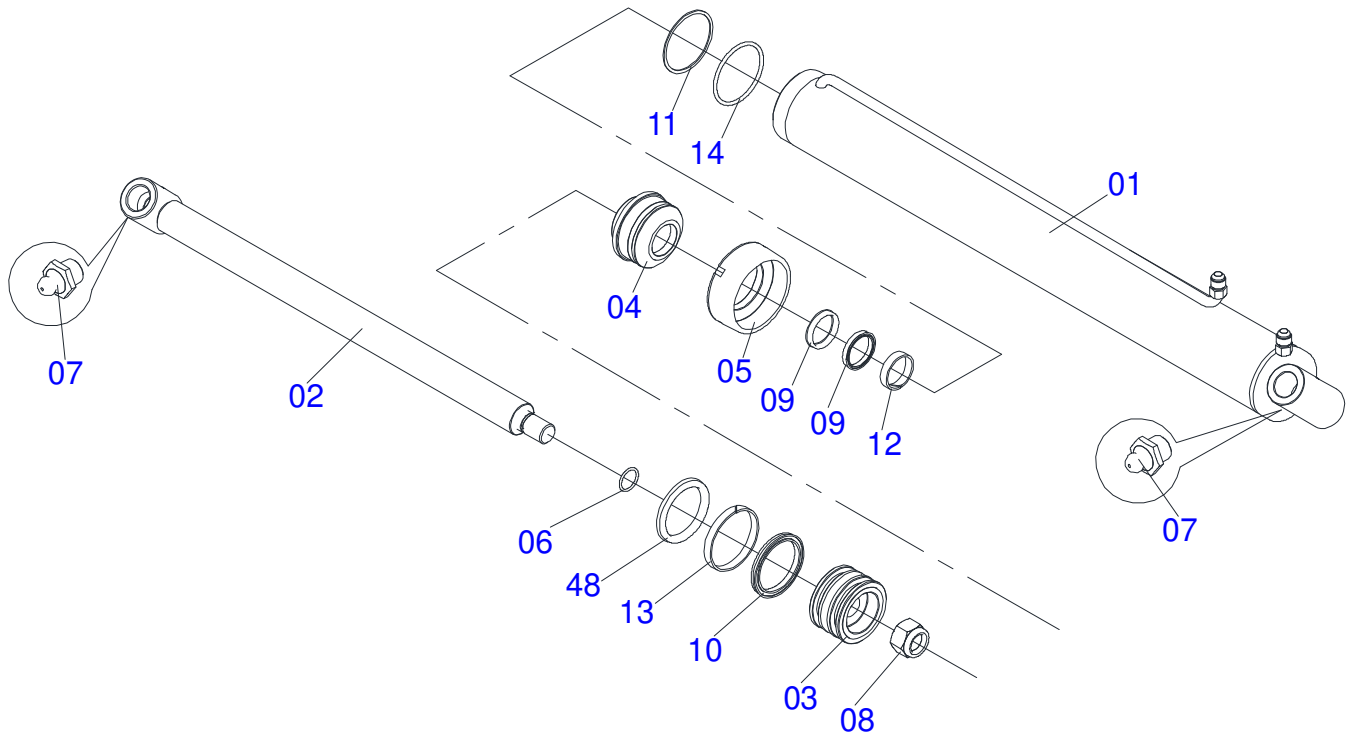
<b>Item</b>	<b>Code</b>	<b>Description</b>	<b>See page</b>	<b>QT</b>
29	0503010920	1/2" X 1.1/2" BOLT		04
30	0503010019	1/2" SPRING WASHER		04
31	0511019685	FLAT WASHER		02
32	0521063228	COUPLING SHAFT		02
33	0521060317	U COUPLING FOR CROSSPIECE		01
34	0503010035	9/16" CONIC NUT		12
35	0503010257	1/8" X 1" COTTERPIN		01
36	0503010006	32210 ROLLER BEARING		02
37	0503011468	WEEL		02
38	0503010858	CANVAS TIRE		02
39	0503010860	AIR CHAMBER 11L 15		02
40	0502020591	PROTECCION COVER		02
41	0503010358	5/16" X 5/8" BOLT		08
42	0503010179	LOCK WASHER		08
43	0501110728	WHEEL HUB		02
44	0503012928	SEAL		02
45	0501010127	9/16" X 1-7/8" LUG BOLT		12
46	0503010037	30207 ROLLER BEARING		01
47	0501069721	U COUPLING FOR CROSSPIECE		01
48	0501064475	1-1/4" HOOK		01
49	0511058407	HYDRAULIC CYLINDER		01
50	0511058445	HYDRAULIC CYLINDER		01



Item	Code	Description	See page	QT
01	0501053834	MALE QUICK COUPLER		04
02	0501081417	3/8 X 2500 TC- TM HOSE		02
03	0501080097	HOSE 1/2 X 2500 TC-TM		02
04	0503016854	VALVE ASSY		01
05	0503013467	2123 29,82X2,62 O'RING		01
06	0571014683	NIPLE		01
07	0571014684	FIXER ADAPTER		01
08	0511058407	HYDRAULIC CYLINDER		01
09	0511058445	HYDRAULIC CYLINDER		01



Item	Code	Description	See page	QT
01	0502010843	1.8" X 3.4" PISTON		01
02	0502010781	RING SUPPORT		01
03	0502010993	DETACHABLE COVER		01
04	0521061771	CYLINDER CASE		01
05	0521061770	44,45 X 517 ROD		01
06	0503010761	D-1750 SCRAPER RING		01
07	0521061770	44,45 X 517 ROD		01
08	0503010949	W2-2000-500 PK RING G.E		01
09	0503010976	2-336 N 3006-9B O'RING		01
10	0503011060	8-336 BACK-UP RING		01
11	0503010170	PACKING 3120 2750		01
12	0503010948	W4-3346-590 PK RING G.E		01
13	0503010063	1" SELF-ALIGNING NUT		01
14	0503010042	2-214 N 3006-9B O'RING		01
15	0503030385	CYLINDER PLUG N-002		02



Item	Code	Description	See page	QT
01	0521061768	101,6 X 1056 CYLINDER CASE		01
02	0521061769	50,8 X 1088 ROD		01
03	0502010992	2.0" X 4.0" PISTON		01
04	0502010778	2" X 4.2" RING SUPPORT		01
05	0502010017	4" HEAD		01
06	0503010345	2-218 N 3006-9B O'RING		01
07	0503010002	1800 GREASE FITTING		02
08	0503010817	1.1/4" SELF LOCKING NUT		01
09	0503010991	1870-2000-375-B GASKET		02
10	0503010043	PACKING 3750-3250		02
11	0503011061	8-342 BACK-UP RING		01
12	0503010952	W2-2250-500 RING		01
13	0503010994	W2-4000-500 PK RING G.E		01
14	0503010338	2-342 N 3006-9B O'RING		01







***civemasa***

**Technical Publications | Elaboration and Revision**

ALESSANDRA PATRICIA KAWAHARA CARRILI

[www.civemasa.com.br](http://www.civemasa.com.br)

